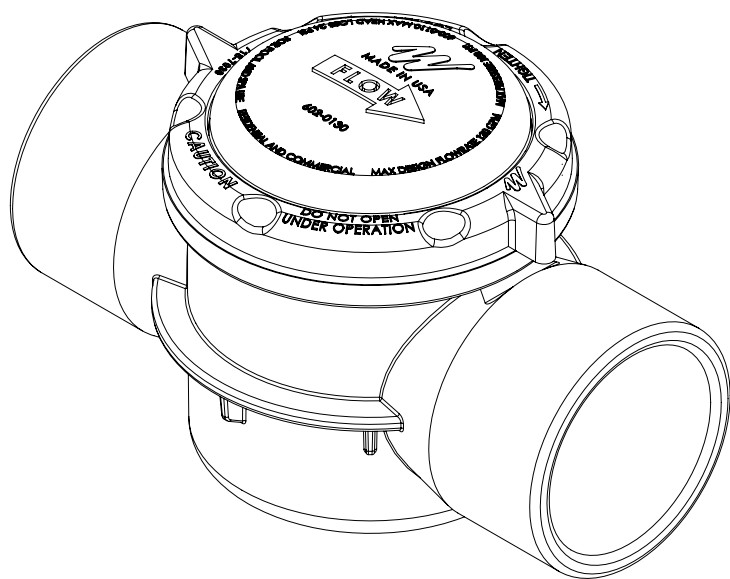


2 1/2" S / 3" SPG SERVICEABLE SWING CHECK VALVE INSTALLATION INSTRUCTIONS



Straight Body Check Valve (600-0111)

READ AND FOLLOW ALL INSTRUCTIONS SAVE THESE INSTRUCTIONS

IMPORTANT: Directional flow of water is essential for proper function. Serviceable Swing Check Valve is designed for both 2 1/2" Socket and 3" Spigot pipe.

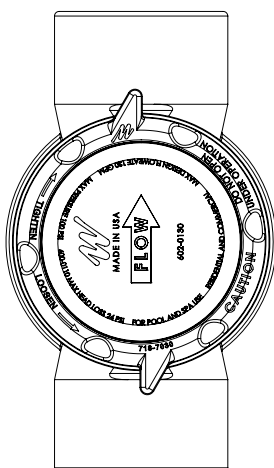
IMPORTANT: Prior to installation of valve to fittings, remove lid/valve assembly (#2) to prevent accidental gluing of components.

CAUTION: DO NOT allow any glue into the valve body beyond the pipe stops.

MOUNTING INSTRUCTIONS

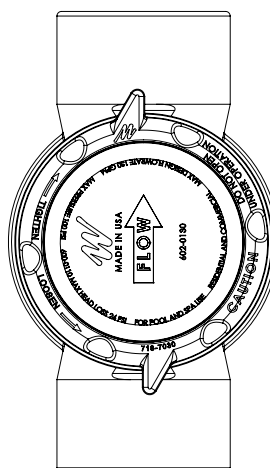
The Check Valve can be installed in either horizontal or vertical plumbing. For vertical plumbing, **use only with upward flow**. Follow CORRECT / INCORRECT diagrams below to ensure upward flow.

CORRECT



↑
**WATER
FLOW
(CORRECT)**

INCORRECT



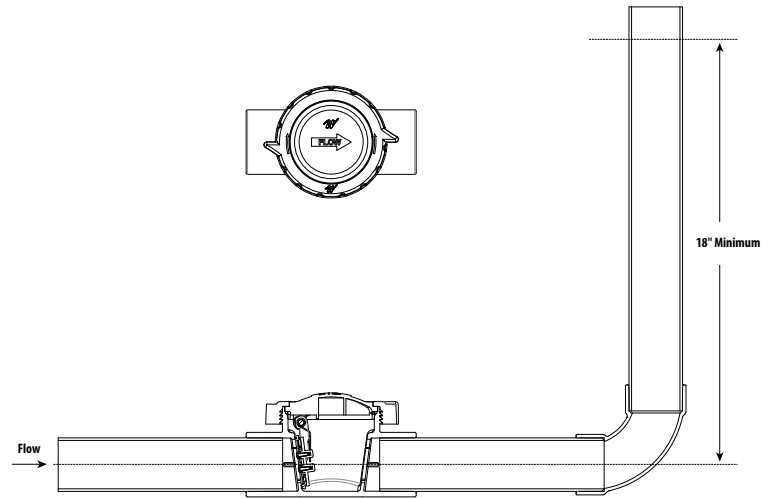
↓
**WATER
FLOW
(INCORRECT)**



SWING CHECK VALVE LOCATION

- Water flow **MUST** be in the direction of the arrow.

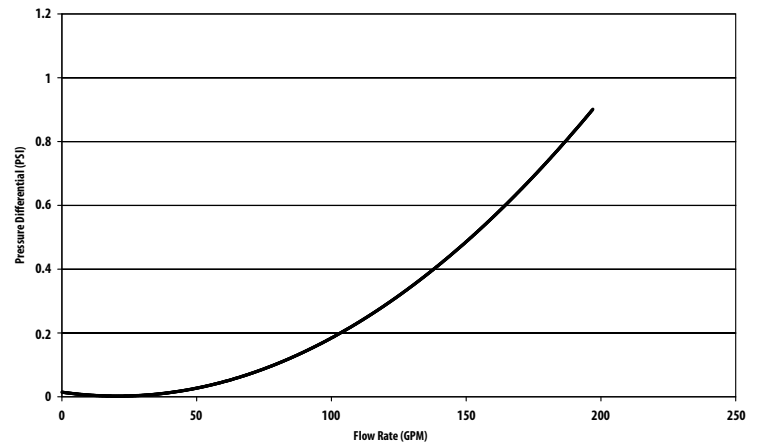
IMPORTANT: Locate the Swing Check Valve at the lowest possible position in the plumbing system. Allow for a minimum of 18" water column. The weight of the water column assists in a greater valve seal and function.



MAINTENANCE

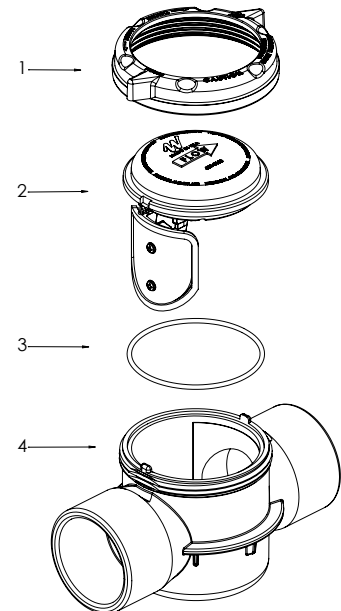
The clear cover permits easy inspection of the Swing Check Valve. If necessary, the valve can be disassembled for inspection of the o-ring and valve assembly. Before reassembly, lubricate o-ring thoroughly with appropriate silicone lubricant.

3" Swing Check Valve Assembly Performance Curve



SERVICEABLE SWING CHECK VALVE REPLACEMENT PARTS

#	Part No.	Description
1	718-7031-CPVC	Threading Nut
2	705-0111	Lid & Flapper Assembly
3	805-0241	O-Ring
4	602-0121	Body (<i>must purchase complete valve</i>)
--	810-0270	Instruction Sheet



WARRANTY

For product registration visit: www.waterwayplastics.com.
For Warranty questions or claims please contact point of purchase.



Waterway™

2200 East Sturgis Road, Oxnard CA 93030 • Phone 805.981.0262 • Fax 805.981.9403

www.waterwayplastics.com • waterway@waterwayplastics.com