

2" SURFACE INDICATOR Bi-DIRECTIONAL 2571

WAC
LANDSCAPE LIGHTING

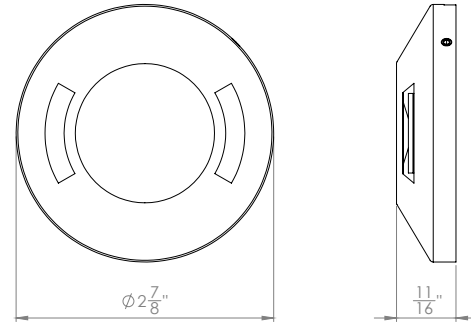


Fixture Type:

Catalog Number:

Project: _____

Location: _____



PRODUCT DESCRIPTION

LED Landscape surface mount indicator luminaire for both soft and hard ground applications. The indicator light is perfect for outdoor applications, including wells and ponds, decks and patios, inground, as well as ceiling and wall applications.

FEATURES

- Slim low profile design-surface mount installation
- IP68 rated, Suitable for continuous immersion under water
- Factory sealed water tight fixtures
- Solid stainless steel construction
- 10' lead wire and direct burial gel filled wire nuts included
- Maintains constant lumen output against voltage drop
- UL 1838 Listed
- MLV dimmable with remote MLV dimmer

SPECIFICATIONS

- Input:** 9 - 15VAC (Transformer is required)
Power: 2.8W / 3.2 VA
Brightness: 5lm
Beam Angle: 180°
CRI: 85
Rated Life: 60,000 hours

ORDERING NUMBER

		Color Temp	Finish
2571	<i>Bi-Directional</i>	27 2700K	BS <i>Bronzed Stainless Steel</i>
		30 3000K	SS <i>Stainless Steel</i>

2571-30 _____

Example: **2571-30SS**

wacighting.com
Phone (800) 526.2588
Fax (800) 526.2585

Headquarters/Eastern Distribution Center
44 Harbor Park Drive
Port Washington, NY 11050

Central Distribution Center
1600 Distribution Ct
Lithia Springs, GA 30122

Western Distribution Center
1750 Archibald Avenue
Ontario, CA 91760

2" SURFACE INDICATOR Bi-DIRECTIONAL 2571

WAC
LANDSCAPE LIGHTING

Magnetic Transformers



*Stainless Steel, 12-15V output,
IP65 rated, UL 1838 listed
See transformer spec sheet for
details and its accessories*

9075-TRN-SS
75W Max

9150-TRN-SS
150W Max

9300-TRN-SS
300W Max

9600-TRN-SS
600W Max

waclighting.com
Phone (800) 526.2588
Fax (800) 526.2585

Headquarters/Eastern Distribution Center
44 Harbor Park Drive
Port Washington, NY 11050

Central Distribution Center
1600 Distribution Ct
Lithia Springs, GA 30122

Western Distribution Center
1750 Archibald Avenue
Ontario, CA 91760