



**PROFESSIONAL  
OUTDOOR LIGHTING**

Type:

Model:

Project:

# SPECIFICATION SHEET

## MODEL 4246 Landscape Series • Step & Brick Lights

### FIXTURE SPECIFICATIONS:

**HOUSING:**

Copper free, stamped & formed aluminum recessed box with 1/2" knockouts on the back & side.

**COVER PLATE:**

Die-cast, copper-free, aluminum fitted to the recessed box with UV-resistant weather stripping— providing a superior weather-tight seal.

**FINISH:**

Durable powder coat finish available in Black, Architectural Bronze, Dark Bronze, Granite, White, Architectural Brick, Light Bronze, Special Bronze, Glossy Gray, Rust, Hunter Green, Weathered Bronze, Weathered Iron, Graphite Metallic, Verde, Pewter, Mocha and Olde Finish.

**SOCKET/LAMP HOLDER:**

Top grade ceramic socket with nickel contacts, stainless steel springs, & Teflon-jacketed wire leads.

**LENS:**

Translucent, molded, high-impact, polycarbonate lens.

**LAMP TYPE:**

- T3 (x 2) – 20W maximum. LN-10 T3 Halogen (10W) Standard.
- LED T3 (x2) - 2.5W. LNT3-2.5-W-D-LED

**MOUNTING:**

Recessed mounting box included.

**FASTENERS:**

All fasteners are stainless steel.

**WIRING:**

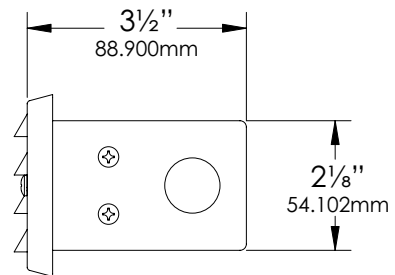
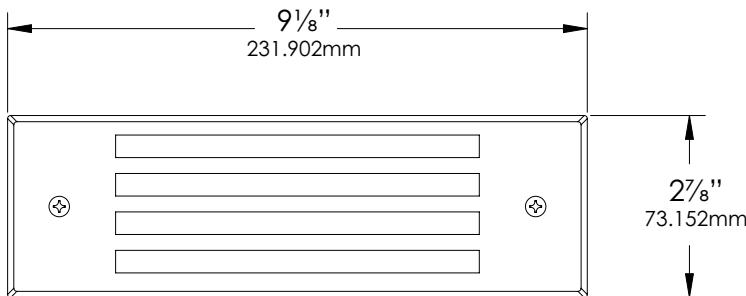
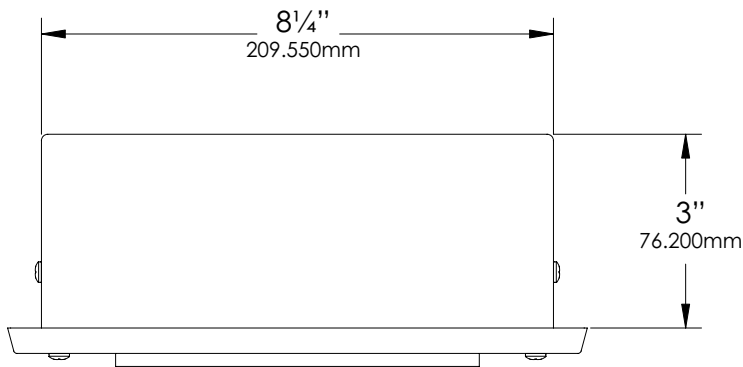
Provided with a three-foot pigtail of 18-2 SPT1 UV resistant cable & underground connectors for a secure connection to the supply cable.

**CERTIFICATION:**

UL Listed to U.S. & Canadian safety standards for low voltage landscape luminaires (UL 1838). The maximum wattages allowed by Underwriters Laboratories (UL) for the U.S. & Canadian markets may vary. Maximum wattages specified are Underwriters Laboratories U.S. standard. Please contact Vista for any questions about the maximum wattages allowed by UL Canadian standards.

All Vista luminaires are **MADE IN THE U.S.A.**

### DIMENSIONS:



Vista Professional Outdoor Lighting reserves the right to modify the design and/or construction of the fixture shown without further notification.



# SPECIFICATION SHEET

## MODEL 4246 Landscape Series • Step & Brick Lights

### FIXTURE ORDERING INFORMATION

TO ORDER FIXTURE: Select appropriate choice from each column as in the following example.

**EXAMPLE: SL-4246-SB-10T3**

| MOUNTING        | MODEL | FINISH  | LAMP  |
|-----------------|-------|---|---|
| SL - Step Light | 4246  | Standard  | <b>10T3</b> - 10 watt   |
|                 |       | B - Black<br>Z - Architectural Bronze<br>DZ - Dark Bronze<br>GT - Granite<br>W - White  | T3 Halogen<br>20W Maximum<br>LN-10 T3 Halogen (10W) Standard              |
|                 |       | Premium   | LED T3<br>2.5 W<br>LNT3-2.5-W-D-LED                                       |
|                 |       | BR - Architectural Brick<br>LZ - Light Bronze<br>SB - Special Bronze<br>GG - Glossy Gray<br>R - Rust<br>HG - Hunter Green<br>WB - Weathered Bronze<br>WI - Weathered Iron<br>GM - Graphite Metallic | (Please see lamp order code column on lamp guide, Vista product catalog.) |
|                 |       | Hand Finished   |   |
|                 |       | G - Verde<br>P - Pewter<br>M - Mocha<br>OF - Olde Finish  |   |

Fixtures shipped with standard lamp, unless otherwise specified.  
Fixtures shipped with specified mounting hardware.