

# Jandy® Pro Series VS FloPro™ Variable-Speed Pump Series VS-FHP

## ⚠ WARNING

**FOR YOUR SAFETY** - This product must be installed and serviced by a contractor who is licensed and qualified in pool equipment by the jurisdiction in which the product will be installed where such state or local requirements exist. The maintainer must be a professional with sufficient experience in pool equipment installation and maintenance so that all of the instructions in this manual can be followed exactly. Before installing this product, read and follow all warning notices and instructions that accompany this product. Failure to follow warning notices and instructions may result in property damage, personal injury, or death.

Improper installation and/or operation will void the warranty.



Improper installation and/or operation can create unwanted electrical hazard which can cause serious injury, property damage, or death.

**ATTENTION INSTALLER** - This manual contains important information about the installation, operation and safe use of this product. This information should be given to the owner/operator of this equipment.



## Table of Contents

<p><b>Section 1. Important Safety Instructions ..... 4</b></p> <p>1.1 Safety Instructions..... 4</p> <p>1.2 Pool Pump Suction Entrapment Prevention Guidelines ..... 6</p> <p><b>Section 2. General Description ..... 8</b></p> <p>2.1 Introduction..... 8</p> <p>2.2 Description ..... 8</p> <p><b>Section 3. Installation Information.....8</b></p> <p>3.1 Plumbing ..... 8</p> <p>3.2 Electrical Installation.....11</p> <p>3.3 VS-FHP Pump Dip Switch Settings..... 13</p> <p>3.4 Remove Pump Lid ..... 13</p> <p>3.5 Conduct Pressure Test ..... 14</p> <p><b>Section 4. Operation..... 15</b></p> <p>4.1 Start-up..... 15</p> <p><b>Section 5. Service and Maintenance..... 15</b></p> <p>5.1 Routine Maintenance ..... 15</p> <p>5.2 Winterizing the Pump ..... 16</p>	<p><b>Section 6. Troubleshooting and Repair..... 17</b></p> <p>6.1 Troubleshooting..... 17</p> <p>6.2 Service Technician Maintenance ..... 19</p> <p><b>Section 7. Product Specifications and Technical Data ..... 23</b></p> <p>7.1 Replacement Parts List and Exploded View .... 23</p> <p>7.2 Exploded View..... 24</p> <p>7.3 Performance Curves ..... 25</p> <p>7.4 Physical and Operational Specifications ..... 26</p> <p>7.5 Replacement Motor Guide ..... 26</p>
-------------------------------------------------------------------------------------------------------------------------------------------------------------------------------------------------------------------------------------------------------------------------------------------------------------------------------------------------------------------------------------------------------------------------------------------------------------------------------------------------------------------------------------------------------------------------------------------------------------------------------------------------------------------------------------------------------------------------------------------------------------------------------	---------------------------------------------------------------------------------------------------------------------------------------------------------------------------------------------------------------------------------------------------------------------------------------------------------------------------------------------------------------------------------------------------------------------------------------------------------------------------

<b>EQUIPMENT INFORMATION RECORD</b>	
<b>DATE OF INSTALLATION</b>	_____
<b>INSTALLER INFORMATION</b>	_____
<b>INITIAL PRESSURE GAUGE READING (WITH CLEAR FILTER)</b>	_____
<b>PUMP MODEL</b>	_____
<b>HORSEPOWER</b>	_____
<b>NOTES:</b>	_____
	_____
	_____

## Section 1. Important Safety Instructions

### READ AND FOLLOW ALL INSTRUCTIONS

#### 1.1 Safety Instructions

All electrical work must be performed by a licensed electrician and conform to all national, state, and local codes. When installing and using this electrical equipment, basic safety precautions should always be followed, including the following:

#### **WARNING**

**RISK OF SUCTION ENTRAPMENT HAZARD, WHICH, IF NOT AVOIDED, CAN RESULT IN SERIOUS INJURY OR DEATH.** Do not block pump suction, as this can cause severe injury or death. Do not use this pump for wading pools, shallow pools, or spas containing bottom drains, unless the pump is connected to at least two (2) functioning suction outlets. Drain covers must be certified to the latest published edition of ANSI/ASME A112.19.8.

#### **WARNING**

To reduce the risk of injury, do not permit children to use this product.

#### **WARNING**

To reduce the risk of property damage or injury, do not attempt to change the backwash (multiport, slide, or full flow) valve position with the pump running.

#### **WARNING**

Jandy Pro Series pumps are powered by a high voltage electric motor and must be installed by a licensed or certified electrician or a qualified swimming pool service technician.

#### **WARNING**

Due to the potential risk of fire, electric shock, or injuries to persons, Jandy Pro Series pumps must be installed in accordance with the National Electrical Code (NEC), all local electrical and safety codes, and the Occupational Safety and Health Act (OSHA). Copies of the NEC may be ordered from the National Fire Protection Association, 470 Atlantic Ave., Boston, MA 02210, or from your local government inspection agency.

#### **WARNING**

**RISK OF ELECTRIC SHOCK, FIRE, PERSONAL INJURY, OR DEATH.** Connect only to a branch circuit that is protected by a ground-fault circuit-interrupter (GFCI). Contact a qualified electrician if you cannot verify that the circuit is protected by a GFCI. Make sure such a GFCI should be provided by the installer and should be tested on a routine basis. To test the GFCI, push the test button. The GFCI should interrupt power. Push the reset button. Power should be restored. If the GFCI fails to operate in this manner, the GFCI is defective. If the GFCI interrupts power to the pump without the test button being pushed, a ground current is flowing, indicating the possibility of electrical shock. Do not use the device. Disconnect the device and have the problem corrected by a qualified service representative before using.

#### **WARNING**

Incorrectly installed equipment may fail, causing severe injury or property damage.

## WARNING

- Do not connect the system to an unregulated city water system or other external source of pressurized water producing pressures greater than 35 PSI.
- Trapped air in system can cause the filter lid to be blown off, which can result in death, serious personal injury, or property damage. Be sure all air is out of the system before operating.

## WARNING

To minimize the risk of severe injury or death, the filter and/or pump should not be subjected to the piping system pressurization test.

Local codes may require the pool piping system to be subjected to a pressure test. These requirements are generally not intended to apply to the pool equipment such as filters or pumps.

Zodiac® pool equipment is pressure tested at the factory.

However, if the WARNING cannot be followed and pressure testing of the piping system must include the filter and/or pump, **BE SURE TO COMPLY WITH THE FOLLOWING SAFETY INSTRUCTIONS:**

- Check all clamps, bolts, lids, lock rings and system accessories to ensure they are properly installed and secured before testing.
- **RELEASE ALL AIR** in the system before testing.
- Water pressure for test must **NOT EXCEED 35 PSI**.
- Water temperature for test must **NOT EXCEED 100°F (38°C)**.
- Limit test to 24 hours. After test, visually check system to be sure it is ready for operation.

**NOTICE:** These parameters apply to Zodiac equipment only. For non-Zodiac equipment, consult equipment manufacturer.

## WARNING

Chemical spills and fumes can weaken pool/spa equipment. Corrosion can cause filters and other equipment to fail, resulting in severe injury or property damage. Do not store pool chemicals near your equipment.

## CAUTION

**Do not start pump dry!** Running the pump dry for any length of time will cause severe damage and will void the warranty.

## CAUTION

This pump is for use with permanently installed pools and may also be used with hot tubs and spas, if so marked. Do not use with storable pools. A permanently installed pool is constructed in or on the ground or in a building such that it cannot be readily disassembled for storage. A storable pool is constructed so that it may be readily disassembled for storage and reassembled to its original integrity.

## CAUTION

Do not install within an outer enclosure or beneath the skirt of a hot tub. The pump requires adequate ventilation to maintain air temperature at less than the maximum ambient temperature rating listed on the motor rating plate.

**SAVE THESE INSTRUCTIONS**

## 1.2 Pool Pump Suction Entrapment Prevention Guidelines



### ⚠ WARNING

**SUCTION HAZARD.** Can cause serious injury or death. Do not use this pump for wading pools, shallow pools or spas containing bottom drains, unless the pump is connected to at least two (2) functioning suction outlets.

### ⚠ WARNING

**Pump suction is hazardous and can trap and drown or disembowel bathers. Do not use or operate swimming pools, spa, or hot tubs if a suction outlet cover is missing, broken, or loose.** The following guidelines provide information for pump installation that minimizes the risk of injury to users of pools, spas, and hot tubs:

**Entrapment Protection** - The pump suction system must provide protection against the hazards of suction entrapment.

**Suction Outlet Covers** - All suction outlets must have correctly installed, screw-fastened covers in place. All suction outlet (drain) covers must be maintained. Drain covers must be listed/certified to the latest published version of ANSI/ASME A112.19.8. They must be replaced if cracked, broken, or missing.

**Number of Suction Outlets Per Pump** - Provide at least two (2) main drains, with covers, as suction outlets for each circulating pump suction line. The centers of the main drains (suction outlets) on any one (1) suction line must be at least 3 feet apart, center to center. See Figure 1 on page 7.

The system **must** be built to include at least two (2) suction outlets (drains) connected to the pump whenever the pump is running. However, if two (2) main drains run into a single suction line, the single suction line may be equipped with a valve that will shut off both main drains from the pump. The system shall be constructed such that it shall not allow for separate or independent shutoff or isolation of each drain. See Figure 1 on page 7.

More than one (1) pump can be connected to a single suction line as long as the requirements above are met.

**Water Velocity** - The maximum water velocity through the suction fitting or cover for any suction outlet must be 1.5 feet per second, unless the outlet complies with the latest published version edition of ANSI/ASME A112.19.8, the standard for *Suction Fittings For Use in Swimming and Wading Pools, Spas, Hot Tubs, and Whirlpool Bathtub Applications*. In any case, do not exceed the suction fitting's maximum designed flow rate.

If 100% of the pump's flow comes from the main drain system, the maximum water velocity in the pump suction hydraulic system must be six (6) feet per second, or less even if one (1) main drain (suction outlet) is completely blocked. The flow through the remaining main drain(s) must comply with the latest published edition of ANSI/ASME A112.19.8, the standard for *Suction Fittings For Use in Swimming and Wading Pools, Spas, Hot Tubs, and Whirlpool Bathtub Applications*.

**Testing and Certification** - Suction outlet covers must have been tested by a nationally recognized testing laboratory and found to comply with the latest published edition of ANSI/ASME A112.19.8, the standard for *Suction Fittings For Use in Swimming and Wading Pools, Spas, Hot Tubs, and Whirlpool Bathtub Applications*.

**Fittings** - Fittings restrict flow; for best efficiency use the fewest possible fittings (but at least two (2) suction outlets).

Avoid fittings that could cause an air trap.

Pool cleaner suction fittings must conform to applicable International Association of Plumbing and Mechanical Officials (IAPMO) standards.

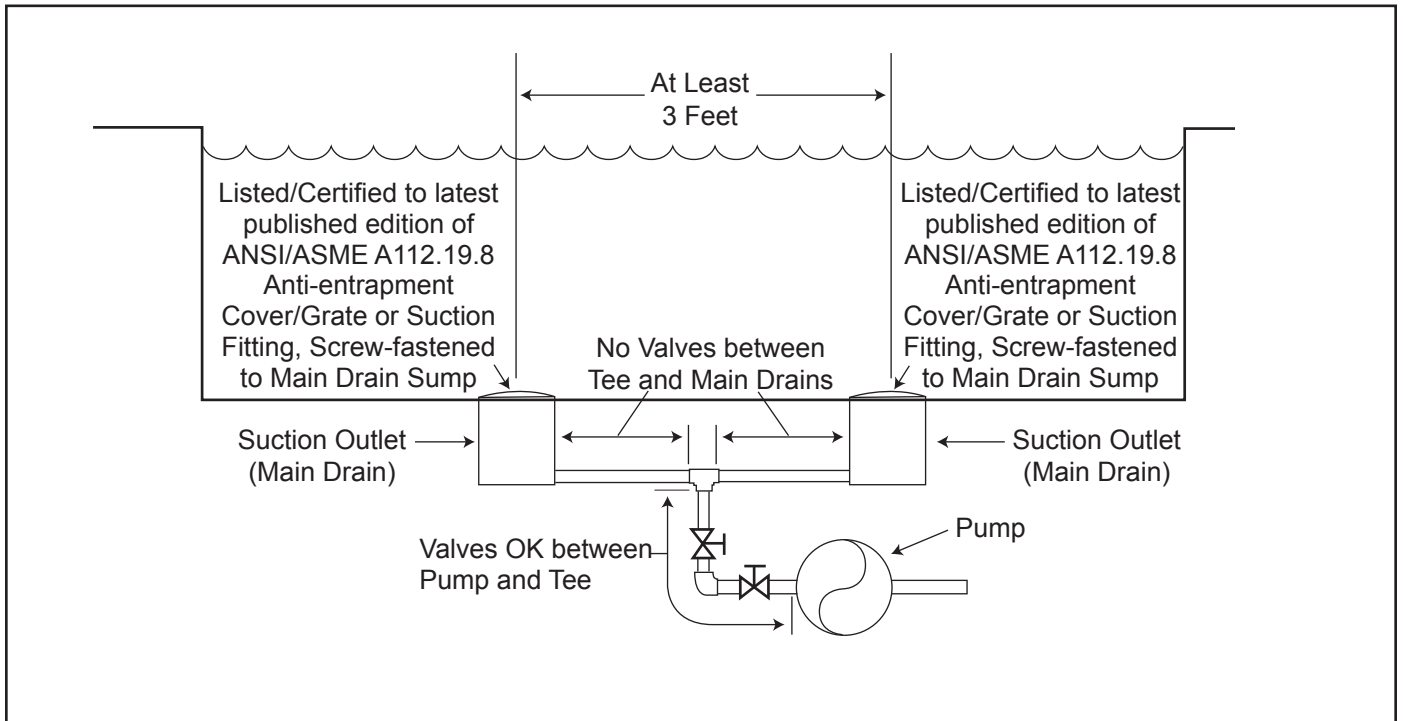


Figure 1. Number of Suction Outlets Per Pump

## Section 2. General Description

### 2.1 Introduction

This manual contains information for the proper installation, operation, and maintenance of Jandy Pro Series VS-FHP variable speed pumps. Procedures in this manual must be followed exactly. To obtain additional copies of this manual, contact Zodiac® Customer Service at 800.822.7933. For address information, see the back cover of this manual.

### 2.2 Description

The VS-FHP is a variable-speed pump that can be run from 600 RPM to 3450 RPM. When connected to the JEP-R controller, up to eight (8) speed settings may be programmed and recalled. This allows you to select the most appropriate speed for your application. Even more versatile programming is possible when you use an AquaLink® RS or AquaLink PDA controller.

The pump is driven by a variable speed PMSM (Permanent Magnet Synchronous Motor) directly attached to the pump impeller. The motor spins the impeller which forces water to flow through the pump. As the speed of the motor is varied the flow through the pump is also varied. The adjustable flow rate allows for optimization of flow during the varying pump cycle requirements. As a result the energy efficiency of the pump is maximized resulting in cost savings to the pool owner while also helping to save the environment.

## Section 3. Installation Information

### 3.1 Plumbing

#### 3.1.1 Preparation Information

1. Upon receipt of the pump, check the carton for damage. Open the carton and check the pump for concealed damage, such as cracks, dents or a bent base. If damage is found, contact the shipper or distributor where the pump was purchased.
2. Inspect the contents of the carton and verify that all parts are included, see Section 7.1, Replacement Parts List and Exploded View.

#### 3.1.2 Pump Location

1. Zodiac Pool Systems, Inc. recommends installing the pump within one (1) foot (30 cm) above water level. The pump should not be elevated more than a few feet above the water level of the pool.

**NOTE** To achieve better self-priming, install the pump as close as possible to the water level of the pool.

2. If the pump is located below water level, isolation valves must be installed on both the suction and return lines to prevent back flow of pool water during any routine or required servicing.

**NOTE** When the pool equipment is located below the pool surface a leak can result in large scale water loss or flooding. Zodiac Pool Systems, Inc., cannot be responsible for such water loss or flooding or damage caused by either occurrence.

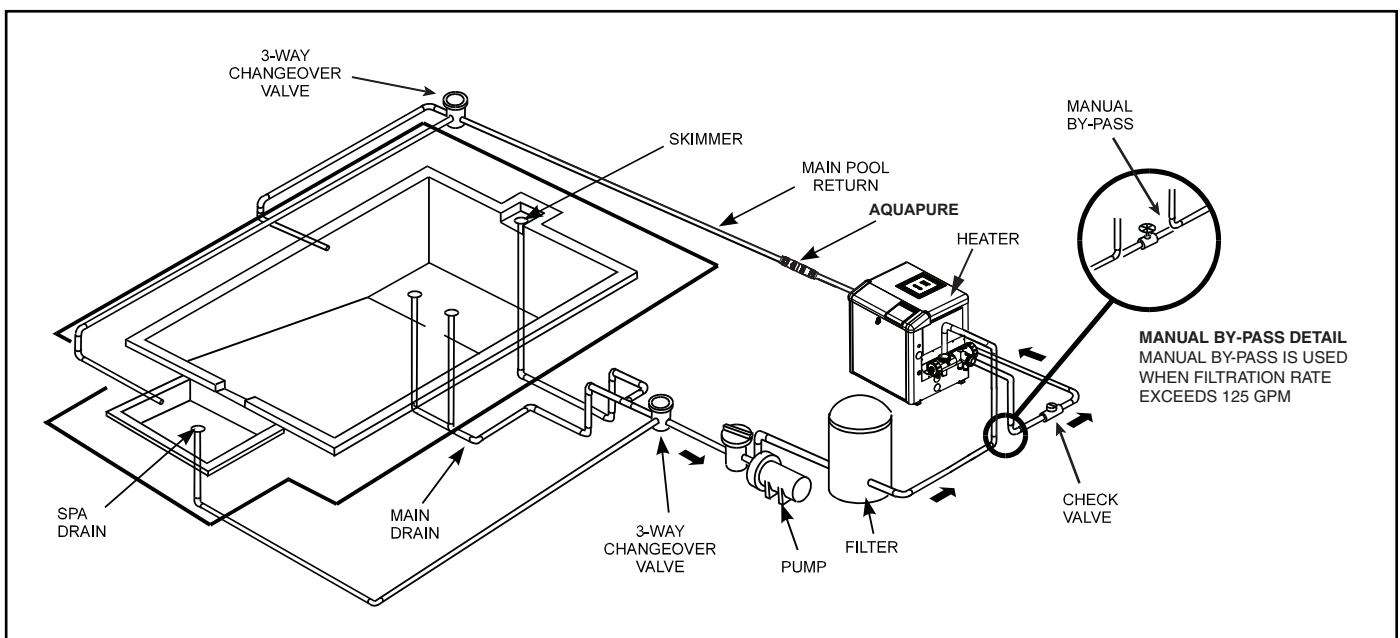


Figure 2. Typical Piping Installation



- The pump and other circulation equipment must be located more than five (5) feet from the water. Choose a location that will minimize turns in the piping.

**NOTE** In Canada, the pump must be located a minimum of three (3) meters (approximately 10 feet) from the water (CSA C22.1).

- The pump must be placed on a solid foundation that will not vibrate. To further reduce the possibility of vibration noise, bolt the pump to the foundation, or place it on a rubber mat.

**NOTE** Zodiac Pool Systems, Inc. recommends bolting the pump directly to the foundation.

- The pump foundation must have adequate drainage to prevent the motor from getting wet. Protect the pump from the rain and sun.
- Proper ventilation is required for the pump to operate normally. All motors generate heat that must be removed by providing proper ventilation.
- Provide access for future services by leaving a clear area around the pump. Allow plenty of space above the pump to remove the lid and basket for cleaning.
- If the equipment is in a potentially dark area, provide adequate lighting.

### 3.1.3 Pipe Sizing

#### 3.1.3.1 Suction Pipe

When the pump is located up to 50 feet (15 m) from the pool, the recommended minimum pipe size for the suction side of the pump is two (2) inches (5 cm). For suction lengths greater than 50 feet. See Section 3.1.3.3 Step 2.

#### 3.1.3.2 Discharge Pipe

When the pump is located up to 50 feet (15 m) from the pool, the recommended minimum pipe size for the discharge side of the pump is two (2) inches (5 cm). For discharge lengths greater than 50 feet (15 m). See Section 3.1.3.3 Step 2.

#### 3.1.3.3 Installation Recommendations

- If the pump is located below water level, isolation valves must be installed on both sides of the pump to prevent the back flow of pool water during any routine or required servicing.
- To help prevent difficulty in priming, install the suction pipe without high points (above inlet of pump - inverted “U”s, commonly referred to

in plumbing as an airlock) that can trap air. For installations of equipment up to 100 feet (30 m) from the water, refer to Table 1, the pipe sizing chart. For installations of equipment more than 100 feet (30 m) from the water, the recommended pipe size must be increased to the next size.

**Table 1. Pipe Sizing Chart for Schedule 40 PVC**

Pipe Size	Maximum Flow Suction (6 feet per second)	Maximum Flow Discharge (8 feet per second)
1½"	37 GPM (140 LPM)	50 GPM (189 LPM)
2"	62 GPM (235 LPM)	85 GPM (322 LPM)
2½"	88 GPM (333 LPM)	120 GPM (454 LPM)
3"	136 GPM (515 LPM)	184 GPM (697 LPM)
4"	234 GPM (886 LPM)	313 GPM (1185 LPM)

- VS-FHP Pumps come equipped with unions on both the suction and discharge ports. This feature simplifies installation and service and eliminates the possibility of leaks at threaded adapters.
- The VS-FHP Pump must be connected to at least two (2) hydraulically-balanced main drains for each pool pump suction line. Each drain must be provided with covers that are listed or certified to the latest published edition of ANSI/ASME A112.19.8. The suction fittings of the main drains must be at least three (3) feet (1 m) apart or at different planes. The suction fittings can be a drain and skimmer, two (2) drains, two (2) skimmers, or a skimmer with an equalizer line installed. Check the local codes for proper installation.

**NOTE** To prevent entrapment, the system must be built so it cannot operate with the pump drawing water from only one (1) main drain. At least two (2) main drains must be connected to the pump when it is in operation. However, if two (2) main drains run into a single suction line, the single suction line may be equipped with a valve that will shut off both main drains from the pump.

- The piping must be well supported and not forced together where it will experience constant stress.
- Always use properly sized valves. Jandy Pro Series Diverter Valves and Ball Valves typically have the best flow capabilities.
- Use the fewest fittings possible. Each additional fitting has the effect of moving the equipment farther away from the water.

**NOTE** If more than ten (10) suction fittings are needed, the pipe size must be increased.

- Every new installation must be pressure tested according to local codes.

### 3.1.4 Replacement of Existing Pump

FHP pumps can easily replace several other pumps: the Hayward® Super Pump®, Pentair® SuperFlo®, Pentair® WhisperFlo®, Jandy Pro Series® PlusHP (PHP), and Jandy Pro Series MaxHP (MHP).

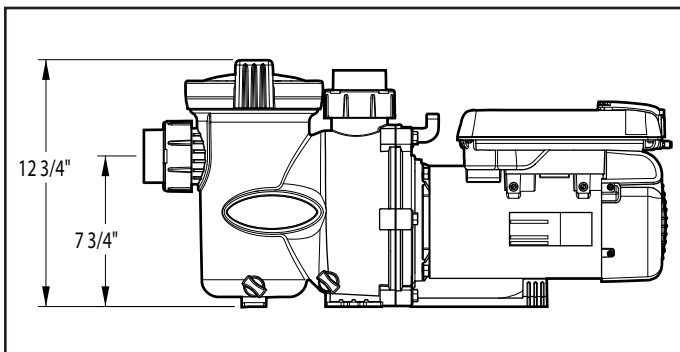
To replace the Pentair WhisperFlo, Jandy Pro Series PHP, or Jandy Pro Series MHP, use the FHP's adjustable base. The FHP base (and its spacers) increase the total height of the pump and the height of the suction side of the pump. See Table 2.

**Table 2. FHP Dimensions**

Base Configuration	Suction Side Height	Pump Height
Pump without Base	7 3/4"	12 3/4"
Pump with Base	8 7/8"	13 7/8"
Pump with Base and Spacers	9 1/8"	14 1/8"

#### 3.1.4.1 Hayward Super Pump and Pentair SuperFlo

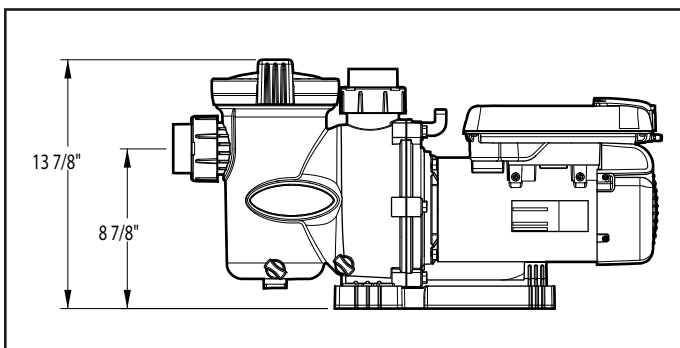
The FHP can replace a Hayward Super Pump or a Pentair SuperFlo without using the FHP base. See Figure 3.



**Figure 3. Place FHP Directly on Equipment Pad**

#### 3.1.4.2 Jandy Pro Series PlusHP (PHP) and Jandy Pro Series MaxHP (MHP)

To replace a Jandy Pro Series PHP or Jandy Pro Series MHP pump with a Jandy Pro Series FHP, use the FHP base as shown in Figure 4.

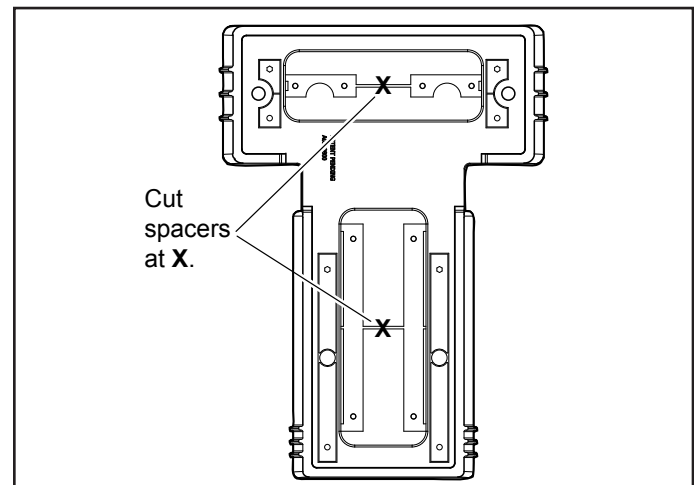


**Figure 4. Place FHP with Base on Equipment Pad**

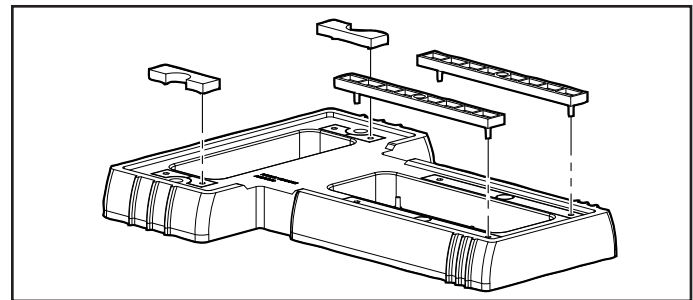
#### 3.1.4.3 Pentair WhisperFlo Pump

To replace a Pentair WhisperFlo pump with a Jandy Pro Series FHP, place the FHP base with spacers on the equipment pad and place the FHP on the base, as shown in Figure 7.

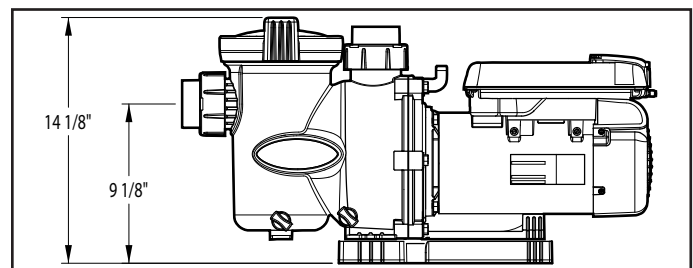
1. Using a hand cutter tool, cut the plastic bars connecting the top and bottom sets of spacers, as shown in Figure 5.
2. Push the two (2) top spacers and two (2) bottom spacers out of the base.
3. Align the pins in the four (4) spacers with the holes in the base and snap the spacers into place, as shown in Figure 6.



**Figure 5. Cut Sets of Spacers Out of Base**



**Figure 6. Snap Spacers into Place**



**Figure 7. Place FHP with Base and Spacers on Equipment Pad**

Hayward® and Super Pump® are registered trademarks of Hayward Industries, Inc.

Pentair® is a registered trademark of Pentair, Inc.

SuperFlo® and WhisperFlo® are registered trademarks of Pentair Water Pool and Spa, Inc.

## 3.2 Electrical Installation

### 3.2.1 Voltage Checks

The correct voltage, as specified on the pump data plate and the specification chart on page 26, is necessary for proper performance and long motor life. Incorrect voltage will decrease the pump's ability to perform and could cause overheating, reduce the motor life, and result in higher electric bills.

It is the responsibility of the electrical installer to provide data plate operating voltage to the pump by ensuring proper circuit sizes and wire sizes for this specific application.

The National Electrical Code (NEC, NFPA-70) requires all pool pump circuits be protected with a Ground Fault Interrupter (GFCI). Therefore, it is also the responsibility of the electrical installer to ensure that the pump circuit is in compliance with this and all other applicable requirements of the National Electrical Code (NEC) and any other applicable installation codes.

### CAUTION

Failure to provide data plate voltage (within 10%) during operation will cause the motor to overheat and void the warranty.

### 3.2.2 Bonding and Grounding

1. The motor frame must be bonded to a reliable grounding point using a solid copper conductor, No. 8 AWG or larger. The motor frame must be bonded to all metal parts of the swimming pool, spa, or hot tub structure and to all electrical equipment, metal conduit, and metal piping within five (5) feet (15 cm) of the inside walls of the swimming pool, spa, or hot tub.

**NOTE** In Canada, the pump must be located a minimum of three (3) meters (approximately 10 feet) from the water (CSA C22.1).

2. Bond the motor using the provided external lug. See Figure 8.

### ⚠ WARNING

Always disconnect the power source before working on a motor or its connected load.

### ⚠ WARNING

Make sure that the control switch, time clock, or control system is installed in an accessible location, so that in the event of an equipment failure or a loose plumbing fitting, the equipment can be turned off. This location must not be in the same area as the pool pump, filter, and other equipment.

### CAUTION

The pump must be permanently connected to a dedicated electrical circuit. No other equipment, lights, appliances, or outlets may be connected to the pump circuit, with the exception of devices that may be required to operate simultaneously with the pump, such as a chlorinating device or heater.

### 3.2.3 Electrical Wiring

1. The pump motor must be securely and adequately grounded using the green screw provided. Ground before attempting to connect to an electrical power supply. Do not ground to a gas supply line.
2. Wire size must be adequate to minimize voltage drop during the start-up and operation of the pump. See Table 3 for suggested wire sizes.
3. Insulate all connections carefully to prevent grounding or short-circuits. Sharp edges on terminals require extra protection. For safety, and to prevent entry of contaminants, reinstall all conduit and terminal box covers. Do not force connections into the conduit box.

**NOTE** Since the pump is operated by either a variable speed controller (JEP-R), an AquaLink® RS controller, or an AquaLink Pool Digital Assistant (PDA), the pump will not be turned on until it is turned on with one of these controllers.

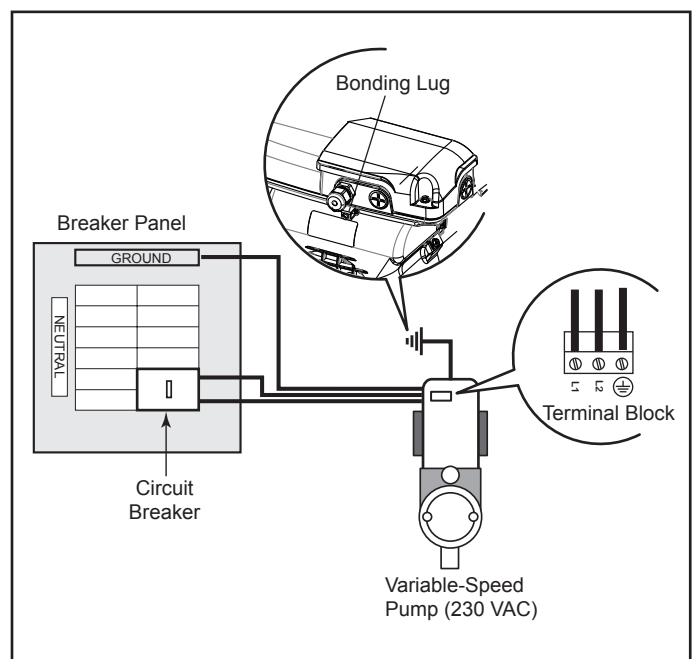


Figure 8. Bonding the Motor

Table 3. Recommended Wire Sizes for Variable-Speed Pumps

RECOMMENDED MINIMUM WIRE SIZE FOR VS-FHP PUMPS*		
Distance from Sub-panel		0-150 Feet (0-45 metres)
Model	Branch Fuse AMPS Class: CC, G, H, J, K, RK, or T 230 VAC	Voltage 230 VAC
VS-FHP 2.0	20A	12

\*Assumes three (3) copper conductors in a buried conduit and 3% maximum voltage loss in branch circuit. All National Electrical Code (NEC) or the Canadian Electrical Code (CSA) and local codes must be followed. Table shows minimum wire size and branch fuse recommendations for typical installation.

### 3.2.4 Installing the Controller

The VS-FHP pump can be operated by one (1) of three (3) controllers: the variable-speed controller, the AquaLink® RS controller (Rev O or later), or the AquaLink PDA (Rev 4.0 or later). The FloPro variable-speed pump communicates with the controllers via a four-wire RS-485 interface.

If you need to cut the RS-485 cable to any custom length, make sure to peel back and trim the ground shielded wire.

To install the variable-speed controller:

5. Insert the RS-485 connector back into the VS-FHP.
6. Slide dip switches 1 and 2 up, so they are in the ON position, and slide switches 3 and 4 down, so they are in the OFF position. See Figure 9.
7. Connect the other end of the cable to the controller. Match the colors of the wires with the appropriate connector positions as follows: 1- red, 2- black, 3- yellow, and 4- green.
8. Restore power to the VS-FHP pump and verify the operation of the controller.
9. Refer to the Variable-Speed Controller Owner's Manual, H0311200, to operate the pump.

## IMPORTANT

The installer must TURN ON switches 1 and 2 at the VS-FHP pump when connected to the variable-speed controller.

**NOTE** The variable-speed controller part no. is JEP-R.

1. Remove power from the VS-FHP pump by disconnecting the high voltage lines or by opening any breaker to which the VS-FHP pump power is connected.

## ⚠ WARNING

### ELECTRICAL SHOCK HAZARD

Turn off all switches and the main breaker in the VS-FHP pump electrical circuit before starting the procedure. Failure to comply may cause a shock hazard, resulting in severe personal injury or death.

2. Remove the cover of the VS-FHP junction box and feed the RS-485 cable into the fitting.
3. Unplug the RS-485 connector from the VS-FHP.
4. Attach the four (4) wires in the RS-485 cable to the RS-485 connector. Match the wire colors with the positions on the connector: 1- red, 2- black, 3- yellow, and 4- green. See Figure 9.

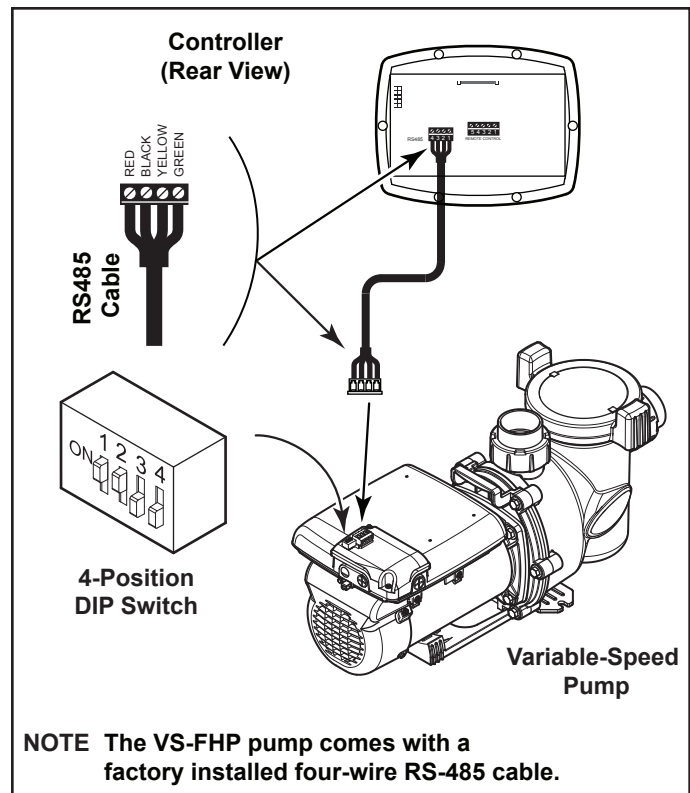


Figure 9. Wiring Variable-Speed Controller (JEP-R) to VS-FHP Pump

**To install an AquaLink® RS controller (Rev O or later) or an AquaLink PDA (Rev 4.0 or later):**

1. Remove power from the VS-FHP pump by disconnecting the high voltage lines or by opening any breaker to which the VS-FHP pump power is connected.

**⚠ WARNING**  
**ELECTRICAL SHOCK HAZARD**

Turn off all switches and the main breaker in the VS-FHP pump electrical circuit before starting the procedure. Failure to comply may cause a shock hazard, resulting in severe personal injury or death.

2. Slide dip switches 1 and 2 down, so they are in the OFF position. See Figure 10.
3. Select the desired address(es) for the VS-FHP pump by setting dip switches 3 and/or 4, as shown in Section 3.3, VS-FHP Pump Dip Switch Settings.
4. Connect the other end of the cable to an RS-485 connector on the AquaLink RS (or multiplexer interface board), matching wire colors with connector positions as follows: 1-red, 2-black, 3-yellow, and 4-green. See Figure 10.
5. Restore power to the VS-FHP pump and verify the operation of the controller.
6. Refer to the appropriate manual for set up and operation of the pump: AquaLink RS Owner’s Manual, 6593, or AquaLink PDA Owner’s Manual, H0572300.

**3.3 VS-FHP Pump Dip Switch Settings**

As shown in Figures 9 and 10, the 4-position dip switch is located at the rear of the VS-FHP pump. This dip switch serves two (2) functions: it selects the pump address, and it determines what type of controller will be used with the pump. The tables below show the dip switch settings.

Switch 1	Switch 2	Controller
OFF	OFF	AquaLink RS or AquaLink PDA
ON	ON	Variable Speed Controller JEP-R

Switch 3	Switch 4	Pump Address
OFF	OFF	PUMP 1
ON	OFF	PUMP 2
OFF	ON	PUMP 3
ON	ON	PUMP 4

**3.4 Remove Pump Lid**

1. Make sure that the pump is turned off.
2. Make sure that the switch to the circuit breaker that powers the pump motor is turned off.

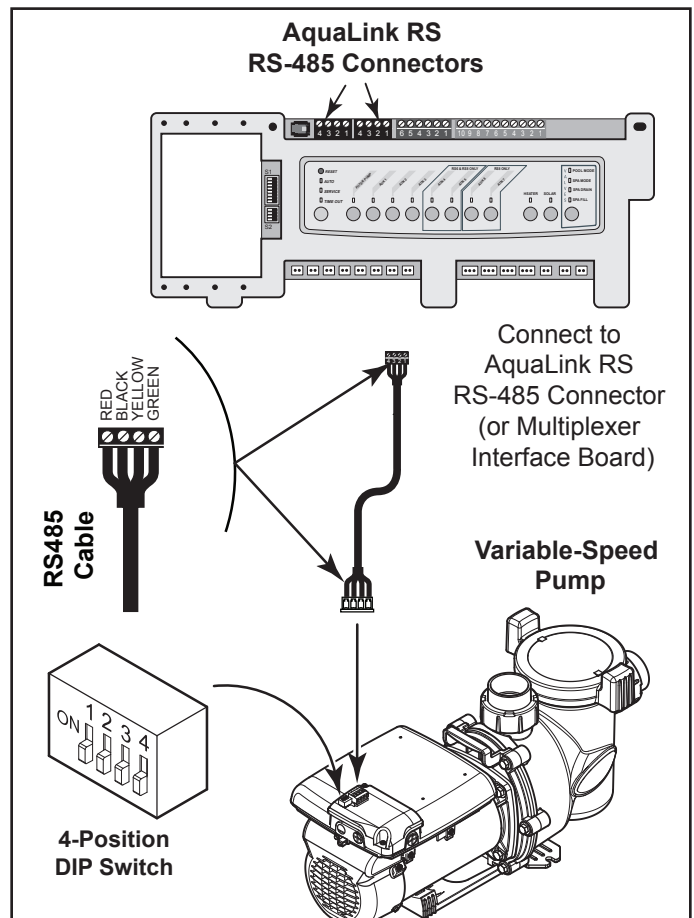
**⚠ WARNING**  
**ELECTRICAL SHOCK HAZARD**

Turn off the pump and the main breaker in the pump electrical circuit before starting the procedure. Failure to comply may cause a shock hazard, resulting in severe personal injury or death.

**⚠ WARNING**  
**ELECTRICAL SHOCK HAZARD**

Due to the potential risk of fire, electric shock, or injuries to persons, Zodiac® Pumps must be installed in accordance with the National Electrical Code (NEC), all local electrical and safety codes, and the occupational Safety and Health Act (OSHA). Copies of the NEC may be ordered from the National Protection Association, 470 Atlantic Ave., Boston, MA 02210, or from your local government inspection agency.

In Canada, Zodiac Pumps must be installed in accordance with the Canadian Electrical Code (CEC).



**Figure 10. Wiring AquaLink RS Controller or AquaLink PDA to VS-FHP Pump**

3. Make sure all necessary isolation valves are closed to prevent pool water from reaching the pump.
4. Following the markings on the locking ring, turn the ring counter-clockwise until the 'START' markings align with the ports. See Figures 11 and 12.
5. Carefully remove the lid with locking ring.

### 3.5 Conduct Pressure Test

#### ⚠ WARNING

When pressure testing a system with water, air is often trapped in the system during the filling process. This air will compress when the system is pressurized. Should the system fail, this trapped air can propel debris at a high speed and cause injury. Every effort to remove trapped air must be taken, including opening the bleed valve on the filter and loosening the pump basket lid while filling the pump.

#### ⚠ WARNING

Trapped air in the system can cause the filter lid to be blown off, which can result in death, serious injury, or property damage. Be sure all air is properly purged out of the system before operating. **DO NOT USE COMPRESSED AIR TO PRESSURE TEST OR CHECK FOR LEAKS.**

#### ⚠ WARNING

Do not pressure test above 35 PSI. Pressure testing must be done by a trained pool professional. Circulation equipment that is not tested properly might fail, which could result in severe injury or property damage.

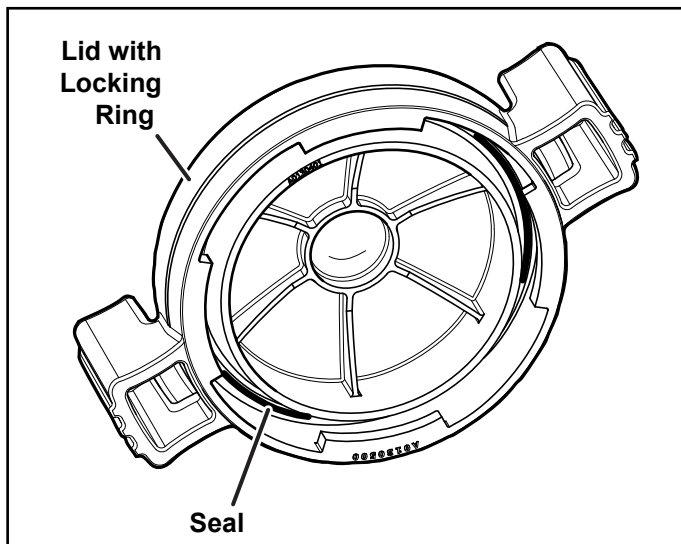


Figure 11. O-ring in Lid Assembly

#### ⚠ WARNING

When pressure testing the system with water, it is very important to make sure that the pump basket lid is completely secure.

1. Fill the system with water, using care to eliminate trapped air.
2. Pressurize the system with water to no more than **35 PSI**.
3. Close the valve to trap pressurized water in the system.
4. Observe the system for leaks and/or pressure decay.
5. If there are lid leaks, repeat this procedure. For technical support, call 800.822.7933. In Canada, call 1-888-647-4004.

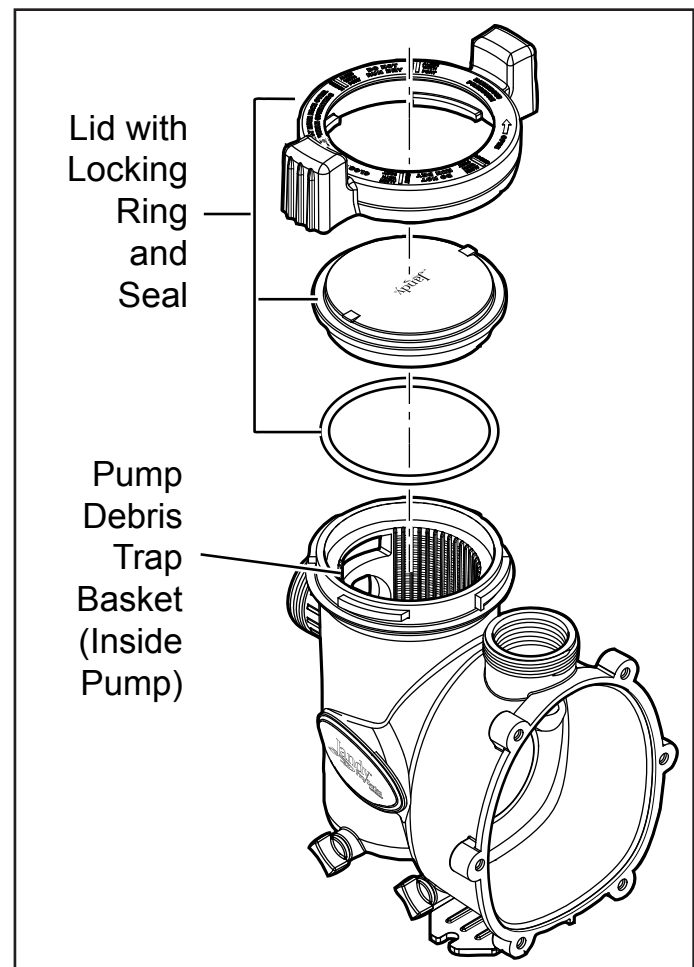


Figure 12. Exploded View of Pump

## Section 4. Operation

### 4.1 Start-up

#### CAUTION

Never run the pump without water. Running the pump “dry” for any length of time can cause severe damage to both the pump and motor and will void the warranty.

If this is a new pool installation, make sure all piping is clear of construction debris and has been properly pressure tested. The filter should be checked for proper installation, verifying that all connections and clamps are secure according to the manufacturer’s recommendations.

#### ⚠ WARNING

To avoid risk of property damage, severe personal injury or death, verify that all power is turned off before starting this procedure.

1. Release all pressure from the system and open the filter pressure release valve.
2. Depending on the location of the pump, do one of the following:
  - If the pump is located below the water level of the pool, open the filter pressure release valve to prime the pump with water.
  - If the pump is located above the water level of the pool, remove the lid and fill the basket with water before starting the pump.
3. Prior to replacing the lid, check for debris around the lid o-ring seat. Debris around the lid o-ring seat will cause air to leak into the system and will make it difficult to prime the pump.
4. Hand-tighten the lid to make an air tight seal. Do not use any tools to tighten the lid: hand-tighten only. Make sure all valves are open and the unions are tight.
5. Restore power to the pump. Then turn on the pump by following the instructions in the appropriate manual: Variable-Speed Controller Owner’s manual, H0311200, AquaLink® RS Owner’s Manual, 6593, or AquaLink PDA Owner’s Manual, H0572300.
6. Once all the air has left the filter, close the pressure release valve.
7. The pump should prime. The time it takes to prime will depend on the elevation and length of pipe used on the suction supply pipe. See Section 3.1.3.3, Installation Recommendations, for proper elevation and pipe size.

8. If the pump does not prime and all the instructions to this point have been followed, check for a suction leak. If there is no leak, repeat Steps 2 through 7.
9. For technical assistance, call Zodiac Technical Support at 800.822.7933. In Canada, call 1-888-647-4004.

## Section 5. Service and Maintenance

### 5.1 Routine Maintenance

Inspect the pump debris tray basket for debris by looking through the clear pump lid. Remove any debris, because as debris accumulates, it will begin to block the flow of water through the pump. Keep the basket clean to improve the performance of the pump.

1. Turn off the power to the pump. If the pump is located below the water level, close the isolation valves on the suction and discharge sides of the pump to prevent backflow of water.
2. Turn the lid's locking ring counter-clockwise until 'START' aligns with the ports. Carefully remove the lid. (A tool may used for leverage.)

#### CAUTION

A misaligned basket will cause the lid to be improperly seated, allowing an air leak, which could result in pump damage.

3. Lift the basket out of the pump.
4. Dispose of the debris and thoroughly clean the basket, making sure all the holes are open. Using a garden hose, spray the basket from the outside to help clear the holes. Remove any remaining debris by hand.
5. Replace the basket in the pump by aligning the opening with the suction pipe. If aligned properly, the basket will drop easily into place. **Do not force it into place.**
6. Remove the lid seal and remove debris around the lid seal seat, as this can allow air to leak into the system. Clean the lid seal and place it on the lid.
7. Replace the lid with locking ring. **Hand-tighten** the lid to make an air-tight seal. Do not use any tools to tighten the lid: **hand-tighten only.**
8. Verify that all valves have been returned to the

proper position for normal operation.

9. Open the pressure release valve on the filter, and make sure it is clean and ready for operation.
10. Turn on the power to the pump. Once all the air has been evacuated from the filter, close the pressure release valve.

## 5.2 Winterizing the Pump

### CAUTION

The pump **must** be protected when freezing temperatures are expected. Allowing the pump to freeze will cause severe damage and void the warranty.

### CAUTION

**Do not use antifreeze solutions in the pool, spa, or hot tub systems!** Antifreeze is highly toxic and may damage the circulation system. The only exception to this is Propylene Glycol. For more information, see your local pool/spa supply store or contact a qualified swimming pool service company.

1. Drain all water from the pump, system equipment, and piping.
2. Remove the two (2) drain plugs. Store the drain plugs in a safe location and reinstall them when the cold weather season is over. **Ensure drain plug o-rings are not misplaced.**
3. Keep the motor covered and dry. Do not cover the pump with plastic, because this will create condensation that will damage the pump.

**NOTE** Zodiac Pool Systems, Inc. recommends having a qualified service technician or electrician properly disconnect the electrical wiring at the switch or junction box. Once the power is removed, loosen the two (2) unions and store the pump indoors. For safety, and to prevent entry of contaminants, reinstall all conduit and terminal box covers.

4. When the system is reopened for operation, have a qualified technician or electrician make sure all piping, valves, wiring and equipment are in accordance with the manufacturer's recommendations. Pay close attention to the filter and electrical connections.
5. The pump must be primed prior to starting. Refer to Section 4.1, Start-up.



## Section 6. Troubleshooting and Repair

Zodiac strongly recommends that you call a qualified service technician to perform any repairs on the filter/pump system. To locate a qualified technician, check your local yellow pages or visit [www.zodiacpoolsystems.com](http://www.zodiacpoolsystems.com) or [www.zodiacpoolsystems.ca](http://www.zodiacpoolsystems.ca) and click on “Dealer Locator.”

### 6.1 Troubleshooting

Symptom	Possible Cause/Solution
The cleaning/circulating system is not operating correctly.	<p>Verify that skimmer baskets, pump basket and other screens are clean. Clean as necessary.</p> <p>Check filter and clean as necessary.</p> <p>Check valve positions. Adjust as necessary.</p> <p><b>NOTE</b> Multiple pieces of equipment operating at one time (for example, waterfalls, spa jets, and surface returns) will affect the proper operation of the cleaning system.</p> <p>Check the cleaning system manual to ensure that the system is adjusted according to the manufacturer's recommendations.</p>
Bubbles are present in the pump basket.	<p>Air is in the system. Check the pool or spa water level to ensure that it is at the proper level and air is not being drawn into the suction piping. If the water is at the normal level, turn off the pump. Turn the lid's locking ring counter-clockwise until 'START' aligns with the ports. Remove the lid and check for debris around the lid seal seat OR improper installation of the lid seal, as either condition will allow air to leak into the system. Clean the lid seal and replace it on the lid. Replace the lid on the pump housing. Align 'START' with the ports and turn the locking ring clockwise until 'LOCKED' aligns with the ports. <b>Hand-tighten</b> the lid to make an air-tight seal. <b>Do not use any tools to tighten the lid.</b> Turn the pump back on.</p>
Air leaks are still present.	<p>Check the suction side piping union. While the pump is running, try to tighten the union. If this does not stop the air leak, turn off the pump. Loosen both unions and slide the pump out of the way. Remove, clean, and re-install both union o-rings.</p> <p>Reposition the pump next to the piping and secure the union nuts to the pump. With clean union o-rings, hand-tightening of the unions should create a seal. If the unions still do not seal, gently tighten with a large pair of tongue-and-groove pliers.</p> <p><b>Do not over-tighten.</b></p>
There is no air in the system, but the pressure is still low.	<p>It is possible that debris is caught in the pump impeller. The pump impeller moves the water, and the vanes in the impeller can become blocked with debris. See <i>Section 6.2, Service Technician Maintenance, 6.2.1, Blocked Impeller</i>, in this manual for more information.</p>
There is no debris blocking the impeller <b>and</b> the pressure is still low.	<p>The pump impeller and diffuser are showing signs of normal wear. Have a qualified service technician check the impeller and diffuser and replace as necessary.</p> <p>If the pump is part of a relatively new installation, it could be an electrical problem. Contact a qualified service technician. Have the technician check for loose electrical connections and check the voltage at the pump motor while it is in operation. The voltage must be within 10% of the motor's data plate rating. If the voltage is not within 10%, contact a qualified electrician and/or the local power service provider.</p> <p>Pump seal is leaking air. Have a qualified service technician replace the seal.</p>
The pump is leaking water between the motor and pump body.	<p>This is caused by a damaged or failed mechanical seal. Replace the seal. See <i>Section 6.2, Service Technician Maintenance, 6.2.3, Mechanical Seal Replacement</i>, in this manual.</p>
The pump gets hot and shuts off periodically.	<p>Make sure that there is adequate room around the motor to circulate air and keep the motor cool. Have a qualified electrician check for loose connections and check the voltage at the pump motor while it is in operation. The voltage must be within 10% of the motor's data plate rating. If the voltage is not within 10%, contact a qualified electrician and/or the local power service provider.</p>

Symptom	Possible Cause/Solution
Pump will not start.	<p>No power to pump.</p> <p>Make sure pump is properly connected to high voltage. LED on top of electronics enclosure should be illuminated. See <i>Section 3.2, Electrical Installation</i>, in this manual.</p>
	<p>Improper low-voltage wiring.</p> <p>Check low-voltage wiring between pump and controller. Correct if necessary. See <i>Section 3.2, Electrical Installation</i>, in this manual.</p>
	<p>Improper pump address setting.</p> <p>Make sure that pump dip switches 3 and 4 are set properly for the installation. Both should be OFF for use with Variable-Speed Controller or set to the proper address when connected to an AquaLink® RS controller or an AquaLink PDA. See <i>Section 3.3, VS-FHP Pump Dip Switch Settings</i>, in this manual.</p>
	<p>Fault condition exists.</p> <p>View fault message on controller and correct fault before proceeding. If unsure how to correct fault, contact technical support at 800.822.7933. In Canada, call 1-888-647-4004</p>
Variable-Speed Controller LCD is not displaying information <b>or</b> pump LEDs are not illuminated.	<p>Incorrect dip switch setting.</p> <p>Make sure pump dip switches 1 and 2 are both ON if the controller is the JEP-R and both are OFF if the controller is a PDA or AquaLink RS. See <i>Section 3.3, VS-FHP Pump Dip Switch Settings</i>, in this manual.</p>
	<p>Improper low-voltage wiring.</p> <p>Check low-voltage wiring between pump and controller. Correct if necessary. See <i>Section 3.2, Electrical Installation</i>, in this manual.</p>
Controller displays "Pump not connected".	<p>Improper low-voltage wiring.</p> <p>Check low-voltage wiring between pump and controller. Correct if necessary. See <i>Section 3.2, Electrical Installation</i>, in this manual.</p>
	<p>Improper pump address set.</p> <p>Ensure pump dip switches 3 and 4 are set properly for the installation. Both should be OFF for use with Variable-Speed Controller or set to the proper address when connected to an AquaLink RS controller or an AquaLink PDA. See <i>Section 3.3, VS-FHP Pump Dip Switch Settings</i>, in this manual.</p>
Fault message appears on controller display.	<p>Fault condition exists.</p> <p>View fault message on controller and correct fault before proceeding. If unsure how to correct fault, contact technical support at 800.822.7933. In Canada, call 1-888-647-4004</p>

## 6.2 Service Technician Maintenance

### **⚠ WARNING**

This pump must be serviced by a professional service technician qualified in pool/spa installation. The following procedures must be followed exactly. Improper installation and/or operation can create dangerous electrical hazards, which can cause high voltages to run through the electrical system. This can cause property damage, serious personal injury, and/or death. Improper installation and/or operation will void the warranty.

### 6.2.1 Blocked Impeller

### **⚠ WARNING**

Before servicing the pump, switch off the circuit breakers at the power source. Severe personal injury or death may occur if the pump starts while your hand is inside the pump.

1. Turn off the pump. Switch off the circuit breaker to the pump motor.
2. Remove the lid and basket.
3. Look inside the pump for debris. Remove any debris found inside.
4. Replace the basket and lid.
5. Switch on the circuit breaker to the pump motor.
6. Turn on the pump, and see if the problem is solved.
7. If the impeller is still blocked with debris and it is not possible to remove the debris using Steps 2 through 4, the pump will need to be disassembled in order to access the inlet and outlet of the impeller.

### 6.2.2 Impeller Removal and Replacement

### **⚠ WARNING**

Before servicing the pump, switch off the circuit breakers at the power source. Severe personal injury or death may occur if the pump starts while your hand is inside the pump.

1. Turn off the pump. Switch off the circuit breaker to the pump motor. If you are not replacing the motor, do not disconnect the electrical wiring.

**NOTE** If you are replacing the motor, Zodiac Pool Systems, Inc. strongly recommends that a qualified service technician or electrician properly disconnect the electrical wiring at the pump motor.

2. Turn off any valves to prevent pool water from reaching the pump. Drain the water from the pump by loosening the unions or removing the drain plugs.
3. Using a 9/16" wrench, loosen the bolts connecting the pump body to the motor backplate. See Figure 13.

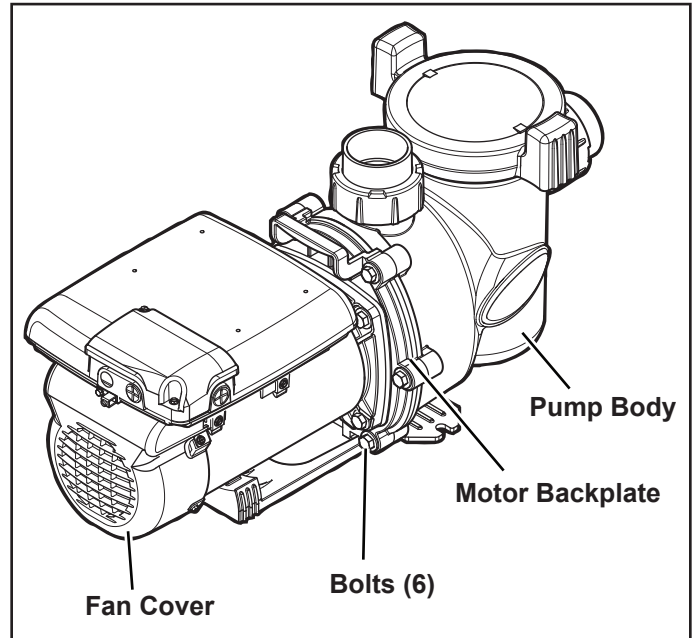


Figure 13. Remove the Pump Housing

4. Pull the motor and backplate out of the pump body. Remove the pump body o-ring. The impeller is connected to the motor shaft.
5. Using a No. 1 Phillips screwdriver, remove the two (2) screws holding the diffuser. (The diffuser is the cover over the impeller.) Then remove the diffuser (See Figure 14).
6. Access the inlet and outlet of the impeller and remove any debris.

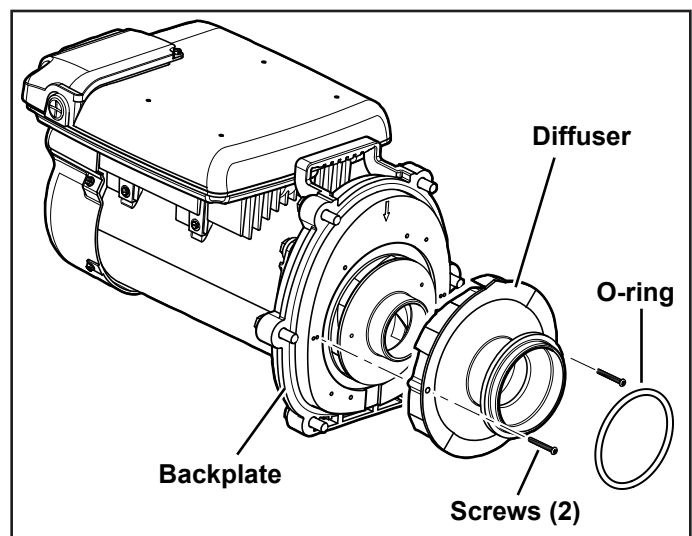


Figure 14. Remove the Diffuser

7. Hold the exposed motor shaft with a ¼" hex allen wrench and remove the impeller center screw using a No. 2 Phillips screwdriver. Turn the left-hand-threaded screw clockwise to loosen it. See Figure 15.
8. Hold the motor shaft with a ¼" hex allen wrench while unscrewing the impeller from the motor shaft with your hand. Turn the impeller counter-clockwise to unscrew it.
9. Inspect the impeller and diffuser for signs of rubbing and/or damage.

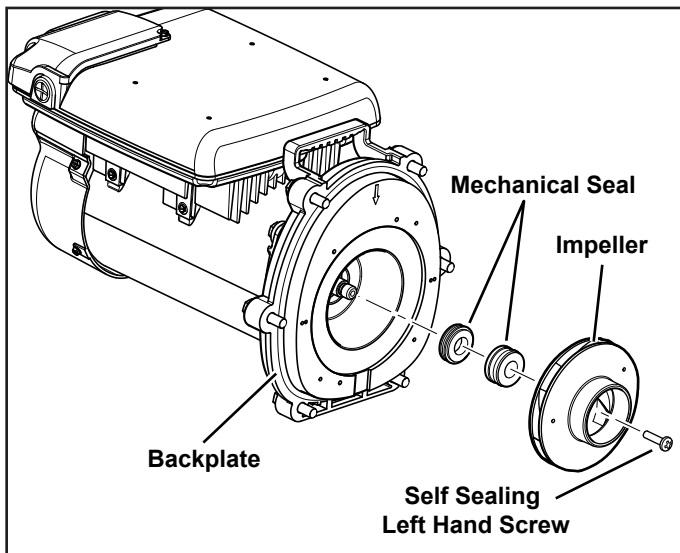


Figure 15. Remove the Impeller

#### 6.2.2.1 Impeller Reassembly

1. Press the new carbon face seal half (see Figures 16 and 17) on the motor shaft using a twisting motion. Make sure the carbon surface is facing toward the ceramic ring in the backplate.

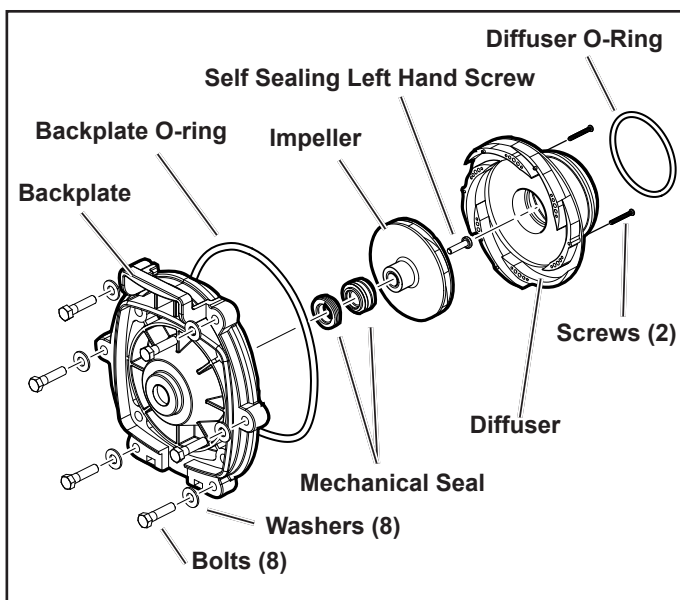


Figure 16. Diffuser and Impeller Exploded View

## CAUTION

**Very Important!** To prevent damage to the seal, grasp the lower portion of the seal (opposite the carbon face) when installing it.

**NOTE** To assist assembly, use only water or soapy water as a lubricant. Any other lubricant will destroy the seal after a short period of time.

**NOTE** Be sure to keep the seal and mating parts clean.

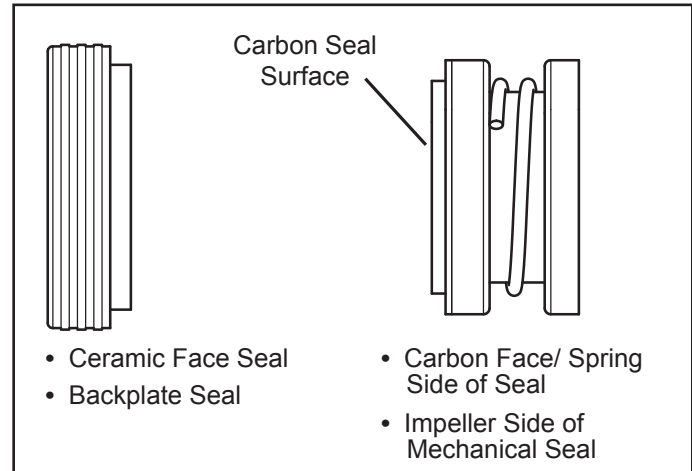


Figure 17. Mechanical Seal

2. While holding the motor shaft with a ¼" hex allen wrench, thread the impeller onto the motor shaft. Hand-tighten the impeller until it is secure. **Do not overtighten.**
3. Insert and turn the left-hand-threaded impeller screw counter-clockwise to tighten it.
4. Replace the fan cover by replacing the screws.
5. Replace the diffuser over the impeller, using care to insert alignment pins into the correct holes. The molded-in arrow must point toward the handle of the backplate.
6. Replace the two (2) small Phillips-head screws. Tighten the screws to draw the diffuser against the motor backplate.
7. To help prevent an airleak into the system, make sure the diffuser o-ring, o-ring groove, and o-ring seal area are clean and free of debris. If you removed the diffuser o-ring, make sure you install it into the groove you removed it from. (See Figure 18.) If grease is used to retain the o-ring, it **must** be silicone based. **Do not use petroleum-based grease.** It will destroy the o-ring.

8. Slide the diffuser into the mating hole in the pump body. While supporting the motor, start two (2) screws on opposite sides. (This will hold the motor in position while you start the other six (6) screws.)

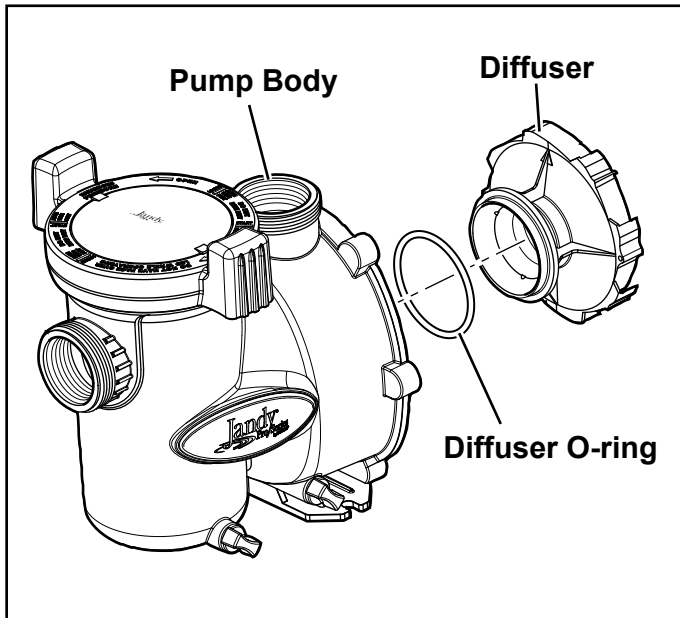


Figure 18. Pump Body and Diffuser Exploded View

9. Tighten the screws lightly in a crossing “X” pattern using a 9/16" wrench. Start with the inner (middle) four (4), then the outer (top and bottom) four (4) to draw the backplate to the body in an even manner. Once all the screws are snug, torque in the same order to 10 foot-pounds.
10. If the pump is located above the water level of the pool, remove the lid and fill the basket with water before starting the pump.
11. To help prevent an air leak into the system, remove any debris around the lid seal seat.
12. **Hand-tighten** the lid to make an air tight seal. **Do not use any tools to tighten the lid.**
13. Open the pressure release valve on the filter and make sure it is clean and ready for operation.
14. Switch on the circuit breaker to the pump motor.
15. Turn on the pump and check the system for normal operation.
16. Once all the air has left the filter, close the pressure release valve.

### 6.2.3 Mechanical Seal Replacement

**NOTE** This is a two-part replacement process. **The mechanical seal must be replaced as a set.**

**NOTE** Refer to Figure 19 for an illustration of the location of the mechanical seal and impeller.

## CAUTION

Do not damage the ceramic or carbon surfaces of the seals. If the surfaces are damaged, leaks will occur.

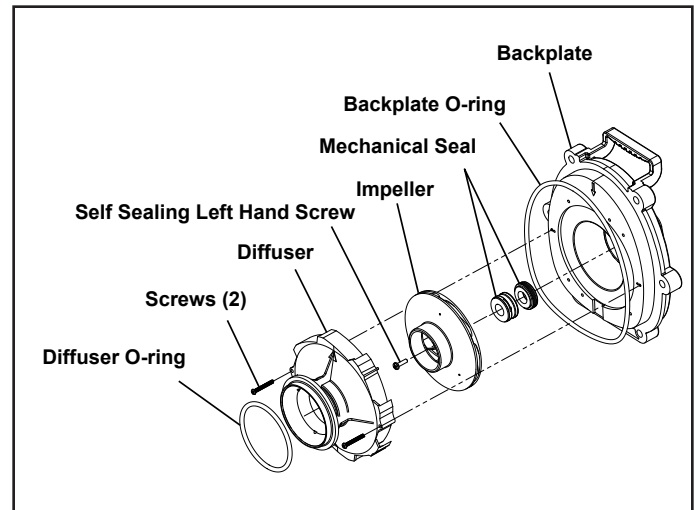


Figure 19. Backplate, Impeller, Diffuser, Mechanical Seal Exploded View

1. To access the mechanical seal, see Section 6.2.2, Impeller Removal and Replacement.
2. Remove the carbon face seal half from the motor shaft (See Figure 15). This is a spring-loaded seal. Grasp the portion of the seal closest to the impeller body and pull the seal off, using a twisting motion.
3. Remove the motor from the backplate, following the steps in Section 6.2.4, Motor Replacement.
4. Place the backplate o-ring side down and force the ceramic seal out using a screwdriver or drift.
5. Turn the backplate o-ring side up and insert the new ceramic seal side into the backplate. Use great care to press the seal in squarely with your fingers. The ceramic is easily damaged and must be pressed in using only your fingers or soft tools. Do not use any lubricant other than water or soapy water.
6. Install the backplate by following the relevant steps in Section 6.2.2.1, Impeller Reassembly.
7. Install the motor by following the steps in Section 6.2.4, Motor Replacement.

### 6.2.4 Motor Replacement

## IMPORTANT

This pump must be installed with a two-, multi-, or variable-speed pump motor controller.

## ⚠ WARNING

To ensure continued safety and reliable operation, Zodiac® requires that you replace the motor with a motor that has the identical HP rating and service factor (Zodiac Pool Systems, Inc. approved only).

1. Have a qualified service technician or electrician properly disconnect the electrical wiring at the pump motor.

## ⚠ WARNING

### ELECTRICAL SHOCK HAZARD

Turn off all switches and the main breaker in the VS-FHP pump electrical circuit before starting the procedure. Wait five (5) minutes after power is disconnected before opening motor. Failure to comply may cause a shock hazard, resulting in severe personal injury or death.

2. To detach the pump housing from the motor, see Section 6.2.2, Impeller Removal and Replacement.
3. Note the alignment of the backplate to the motor, as shown in Figure 20. Place the backplate motor assembly o-ring side down, unscrew the four 9/16" screws, and remove the motor.
4. If installing a new motor, remove the protective plastic cap from the motor shaft. Place the motor on the backplate so that the opening in the motor faces the bottom of the backplate. The electronics controller on the motor should be at the 12 o'clock position.
5. Replace the four (4) bolts and washers holding the backplate to the motor and torque to 15 foot-pounds. See Figure 20.
6. To reassemble the backplate assembly to the housing, see Section 6.2.2.1, Impeller Reassembly.
7. If the pump is located above the water level of the pool, remove the lid and fill the basket with water before starting the pump.
8. To help prevent an air leak into the system, remove any debris around the lid seal seat.

9. **Hand-tighten** the lid to make an air tight seal. **Do not use any tools to tighten the lid.**
10. Open the pressure release valve on the filter and make sure it is clean and ready for operation.
11. Have a qualified service technician or electrician properly connect the electrical wiring at the pump motor.
12. Turn on the electrical power to the pump motor using your controller and check the system for normal operation.

**NOTE** For instructions on operating the controller, refer to the appropriate manual for your controller: the Variable-Speed Controller Owner's Manual, H0311200, the AquaLink® RS Owner's Manual, 6593, or the AquaLink PDA Owner's Manual, H0572300.

13. Once all the air has left the filter, close the pressure relief valve.

**NOTE** Zodiac Pool Systems, Inc. recommends that the mechanical seals be replaced at the same time the motor is replaced. See Section 6.2.3, Mechanical Seal Replacement, for details.

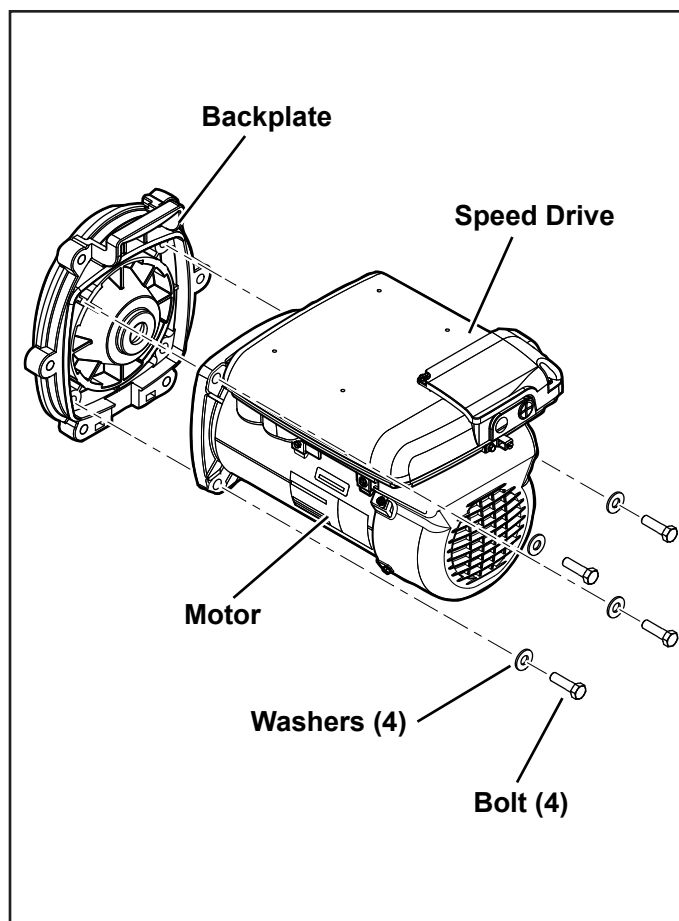


Figure 20. Backplate Assembly

## Section 7. Product Specifications and Technical Data

### 7.1 Replacement Parts List and Exploded View

To order or purchase parts for Zodiac® pumps, contact your nearest Zodiac dealer. If the Zodiac dealer cannot supply you with what you need, contact Zodiac technical support at 1.800.822.7933, or send an e-mail message to [productsupport@zodiac.com](mailto:productsupport@zodiac.com). In Canada, 1-888-647-4004, [customerservice.PSC@zodiac.com](mailto:customerservice.PSC@zodiac.com)

Key No.	Description	Order Part No.
1	GEN II Motor, Variable Speed w/Drive	R0562200
2	Backplate, (Backplate w/Hardware, Backplate O-ring & Mechanical Seal)	R0479500
3	Impeller, (Impeller, Screw w/O-ring & Backplate O-ring)	R0479605
4	Diffuser, (Diffuser w/O-ring, Hardware & Backplate O-ring)	R0479701
5	Mechanical Seal, Carbon and Ceramic (1 Set)	R0479400
6	Pump Body, (Body and Backplate O-ring)	R0479800
7	Motor Mounting Foot	R0479900
8	Lid w/Locking Ring, (Lid w/Locking Ring & Lid O-ring)	R0480000
9	Pump Debris Filter Basket	R0480100
10	Drain Plug w/ O-ring (Set of 2)	R0446000
11	Tail Piece, O-ring & Union Nut (Set of 2)	R0327301
12	Lid O-ring	R0480200
13	Backplate O-ring	R0480300
14	Tailpiece O-ring (Set of 2)	R0337601
15	Diffuser/Impeller Hardware (Diffuser O-ring, Screws (2), Self Sealing Screw)	R0480400
16	Backplate Hardware (Backplate Hardware & Backplate O-ring)	R0480500
17	Motor Hardware Kit	R0446700
18	Pump Base Kit	R0486700
19	Cover Fan, GEN II Replacement Kit (Hardware, Cover)	R0562400
20	Hardware Speed Drive, GEN II	R0562500
21	Connector, Speed Drive, VS-FHP Pump (4-Pin Connector)	R0660900
22	Cable, RS485, Replacement Kit	R0535100
23	Screw w/O-Ring	R0515400
24	Cover, Large, Speed Drive w/Gasket, GEN II	R0562300
25	Base Spacer, FHP, VS-FHP, Replacement Kit	R0546400
26	Data Cable, Feed Thru	R0501100

### 7.2 Exploded View

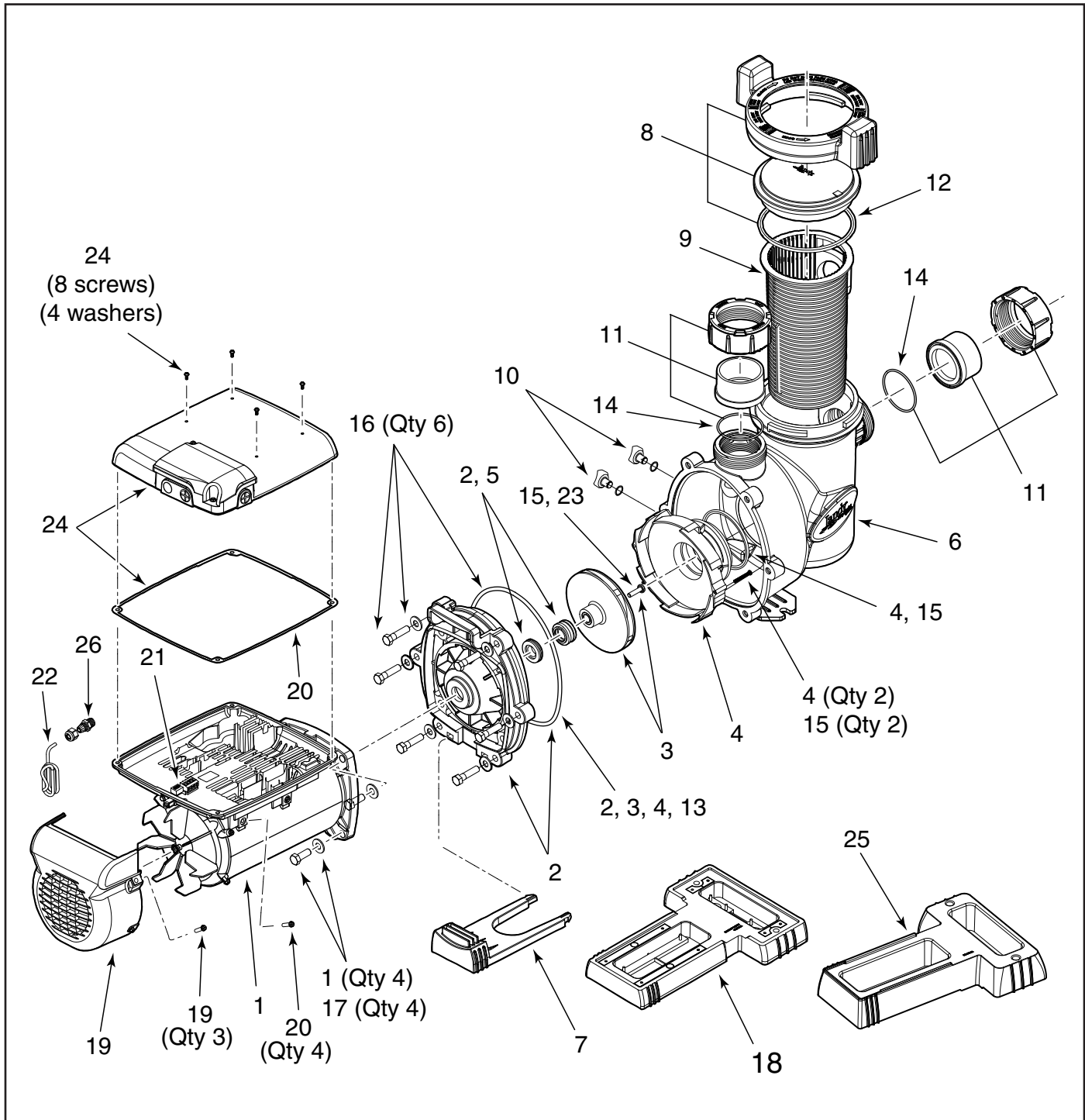
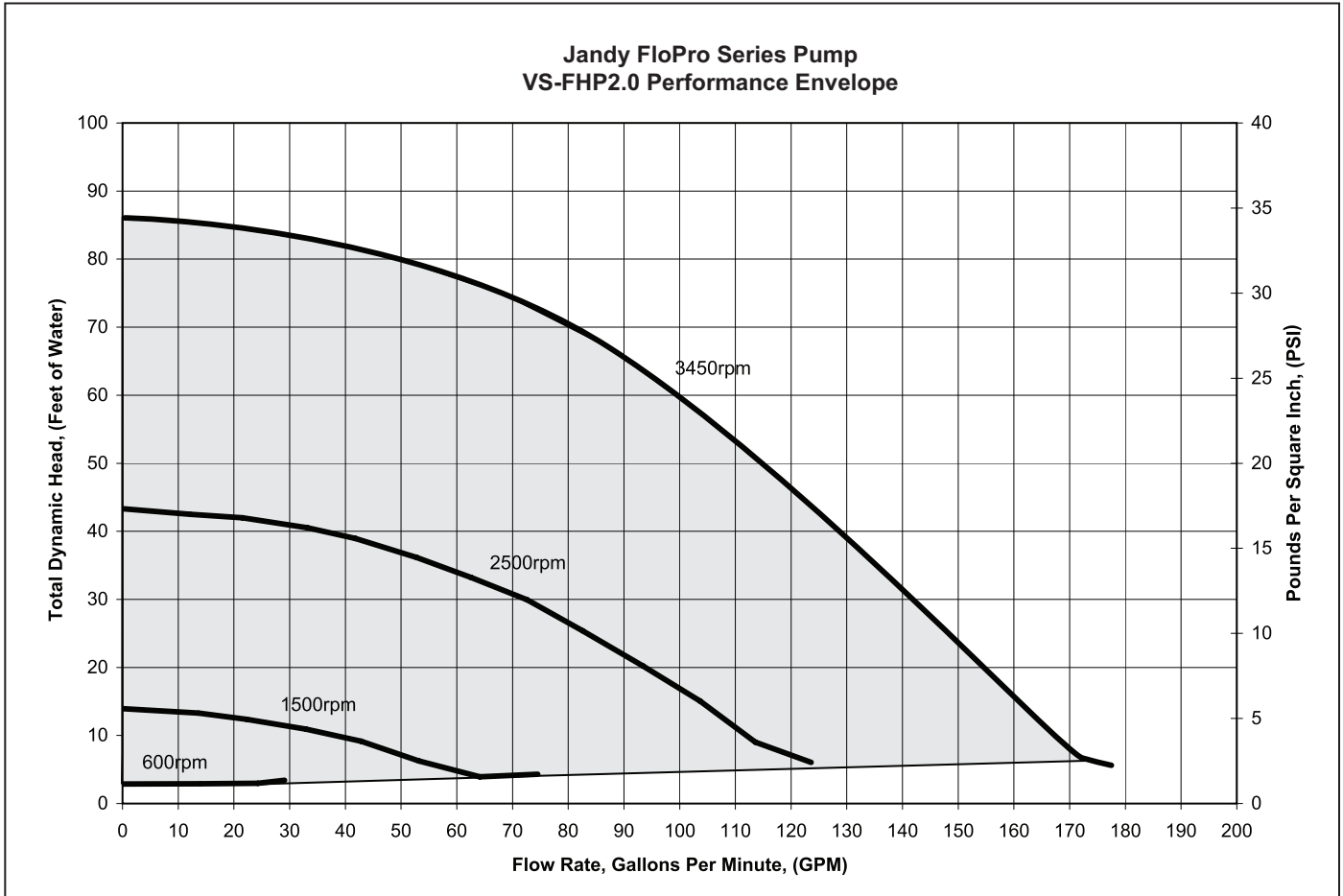


Figure 21. VS-FHP Pump Exploded View



### 7.3 Performance Curves



## 7.4 Physical and Operational Specifications

### 7.4.1 Specifications

Model No.	HP	Voltage	Watts	Pipe Size	Carton Weight	Overall Length 'A'
VS-FHP 2.0	2.0	230 VAC	2,400 W	2½ - 3"	56 lbs.	69 cm (27 3/16")

### 7.4.2 Dimensions

Table 4 shows the height of the FHP pump in the three (3) mounting configurations listed below. Figures 3, 4, and 7, on page 10, shown drawings of these three (3) configurations.

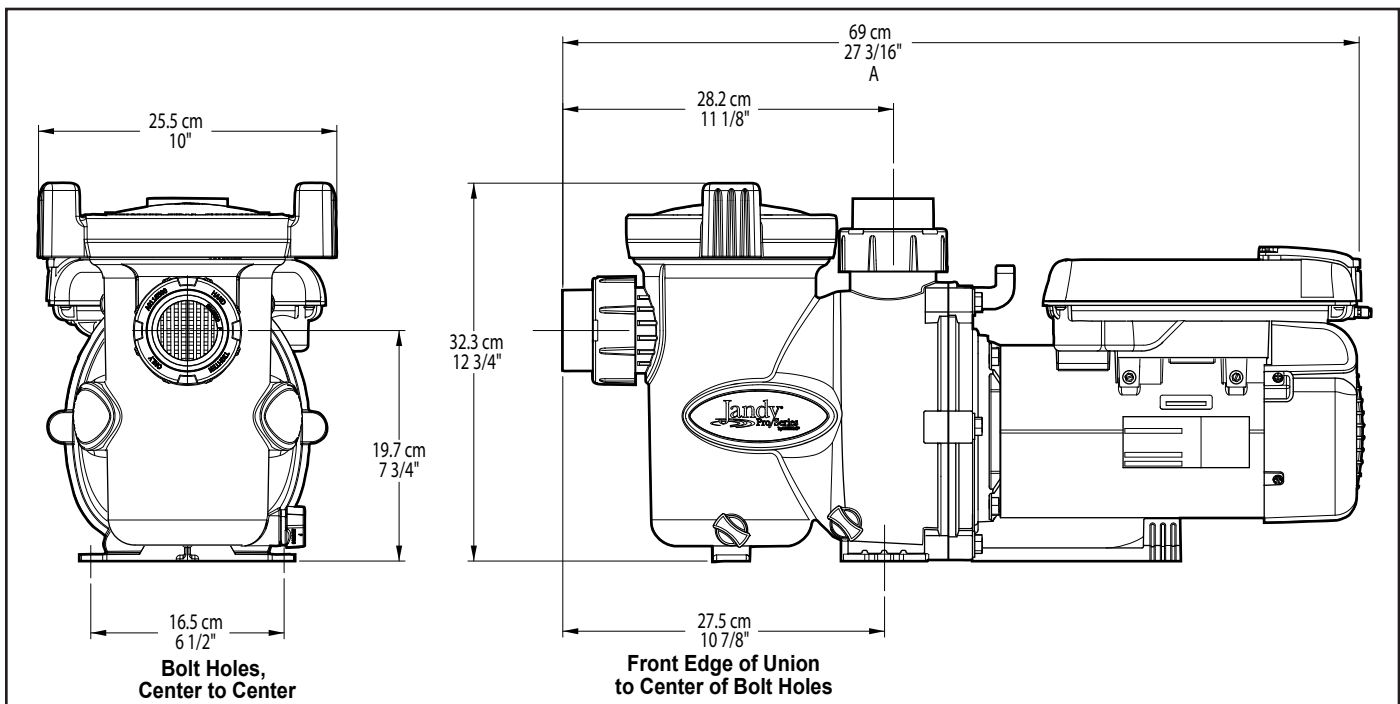
- Without the FHP base
- With the FHP base
- With the FHP base and spacers

The width of the FHP base (with or without spacers) is 8⅞".

**Table 4. FHP Dimensions**

Base Configuration	Suction Side Height	Pump Height
Pump without Base	7 ¾"	12¾"
Pump with Base	8⅞"	13⅞"
Pump with Base and Spacers	9⅞"	14⅞"

The figure below shows the dimensions (height, width, and length) of the FHP pump without the FHP base and spacers.



**NOTE** When installing a pump, leave a minimum of two (2) feet (30 cm) of clearance above the pump for removal of the strainer basket.

## 7.5 Replacement Motor Guide

Pump Model	Jandy
VS-FHP 2.0	R0562200

## **NOTES**



**Intertek**



CONFORMS TO UL 1081  
CERTIFIED TO CSA C22.2 NO 108

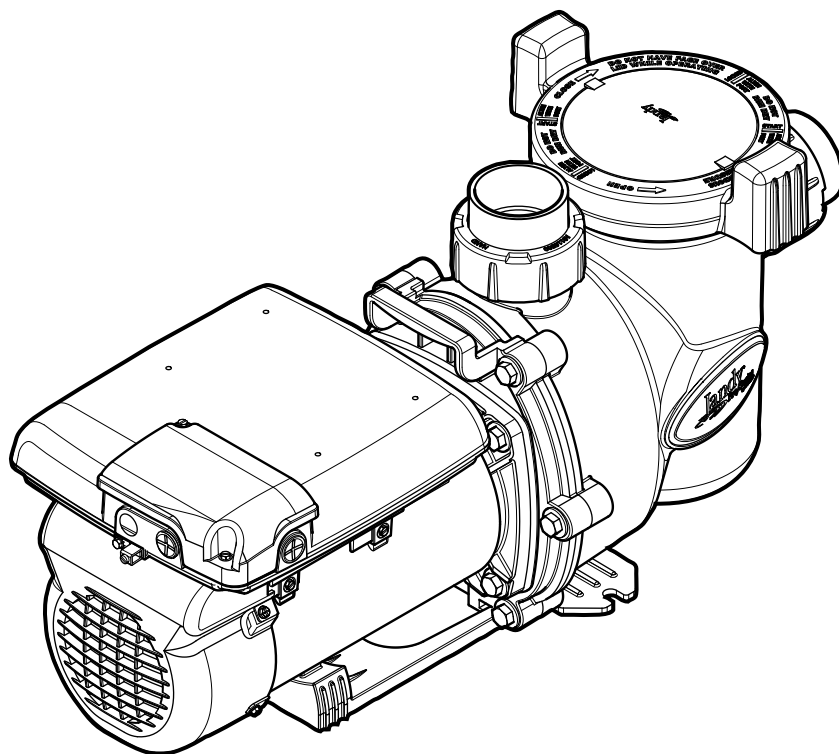
Zodiac Pool Systems Canada, Inc.  
2115 South Service Road West, Unit 3 Oakville, ON L6L 5W2  
1-888-647-4004 | [www.ZodiacPoolSystems.ca](http://www.ZodiacPoolSystems.ca)

Zodiac Pool Systems, Inc.  
2620 Commerce Way, Vista, CA 92081  
1.800.822.7933 | [www.ZodiacPoolSystems.com](http://www.ZodiacPoolSystems.com)

ZODIAC® is a registered trademark of Zodiac International, S.A.S.U., used under license.  
All trademarks referenced herein are the property of their respective owners.

©2012 Zodiac Pool Systems, Inc. H0340900 Rev C 1206





## Série Jandy® Pro VS FloPro™ Pompe à vitesse variable de série VS-FHP

### ⚠ AVERTISSEMENT

**POUR VOTRE SÉCURITÉ** – L'installation et l'entretien de ce produit doivent être effectués par un technicien autorisé et qualifié pour la réparation des équipements de piscine par les autorités compétentes du territoire dans lequel ledit produit est installé lorsque de telles exigences locales ou provinciales sont édictées. Le responsable de l'entretien doit être un professionnel ayant une expérience suffisante dans l'installation et l'entretien des équipements de piscine de manière à ce que les consignes du présent manuel puissent être suivies à la lettre. Avant d'installer ce produit, lire toutes les consignes de mise en garde et les instructions incluses avec ce produit et respectez-les. Le non-respect des avertissements et des instructions pourrait causer des dommages matériels, des blessures graves ou même un décès. L'installation ou l'utilisation inappropriée annuleront la garantie.



L'installation ou l'utilisation inappropriée peuvent créer un danger électrique indésirable qui peut provoquer des blessures graves, des dommages à la propriété ou la mort.

**ATTENTION À L'INSTALLATEUR** - Ce manuel contient de l'information importante sur l'installation, le fonctionnement et l'utilisation de ce produit en sécurité. Ces renseignements doivent être donnés au propriétaire ou à l'utilisateur de cet appareil.



## Table des matières

<b>Section 1. Consignes De Sécurité Importantes .....</b>	<b>32</b>	<b>Section 6. Dépannage et réparation .....</b>	<b>45</b>
1.1 Consignes de sécurité .....	32	6.1 Dépannage .....	45
1.2 Normes de prévention du piégeage par l'aspiration de la pompe de piscine. ....	34	6.2 Entretien par un technicien de service .....	47
<b>Section 2. Description générale .....</b>	<b>35</b>	<b>Section 7. Caractéristiques du produit et données techniques.....</b>	<b>51</b>
2.1 Introduction.....	35	7.1 Liste et vue éclatée des pièces de rechange ...	51
2.2 Description .....	35	7.2 Schéma éclaté général.....	52
<b>Section 3. Information sur l'installation.....</b>	<b>36</b>	7.3 Courbes de performance.....	53
3.1 Plomberie .....	36	7.4 Caractéristiques physiques et fonctionnelles ...	54
3.2 Installation électrique.....	39	7.5 Guide de remplacement du moteur.....	54
3.3 Réglages des commutateurs DIP de la pompe VS-FHP.....	41		
3.4 Retirer le couvercle de la pompe.....	42		
3.5 Effectuer des essais de mise sous pression ....	42		
<b>Section 4. Fonctionnement.....</b>	<b>43</b>		
4.1 Démarrage .....	43		
<b>Section 5. Service et entretien .....</b>	<b>44</b>		
5.1 Entretien de routine .....	44		
5.2 Hivernage de la pompe .....	44		

### FICHE DE RENSEIGNEMENTS SUR L'ÉQUIPEMENT

DATE D'INSTALLATION \_\_\_\_\_

INFORMATION SUR L'INSTALLATEUR \_\_\_\_\_

LECTURE INITIALE DU MANOMÈTRE (AVEC FILTRE PROPRE) \_\_\_\_\_

MODÈLE DE POMPE \_\_\_\_\_ PUISSANCE \_\_\_\_\_

REMARQUES : \_\_\_\_\_

\_\_\_\_\_

\_\_\_\_\_

## Section 1. Consignes De Sécurité Importantes

### LIRE ET SUIVRE TOUTES LES CONSIGNES

#### 1.1 Consignes de sécurité

Tous les travaux d'électricité doivent être accomplis par un électricien agréé et doivent se conformer aux normes fédérales, provinciales et locales. Au moment de l'installation et de l'utilisation de cet équipement électrique, des précautions de base doivent toujours être suivies, entre autres :

#### **AVERTISSEMENT**

**RISQUE DE PIÉGEAGE DANS LA CONDUITE D'ASPIRATION QUI, SI NON ÉVITÉ, POURRAIT ENTRAÎNER DES BLESSURES GRAVES OU LA MORT.** Ne pas bloquer l'aspiration de la pompe, car cela peut causer une blessure grave ou la mort. Ne pas utiliser cette pompe pour des pataugeoires, des piscines peu profondes ou des spas ayant des canalisations d'évacuation à la base, sauf si la pompe est connectée à au moins deux (2) orifices d'aspiration qui fonctionnent. Les couvercles de canalisations d'évacuation doivent être certifiés par la dernière édition publiée d'ANSI/ASME A112.19.8.

#### **AVERTISSEMENT**

Pour réduire le risque de blessure, ne pas permettre aux enfants d'utiliser ce produit.

#### **AVERTISSEMENT**

Pour réduire le risque de dommages matériels et de blessures, ne pas essayer de changer la position du robinet (multivoies, de glissement ou de passage intégral) de lavage à contre-courant pendant le fonctionnement de la pompe.

#### **AVERTISSEMENT**

Les pompes Zodiac® sont entraînées par un moteur électrique à haute tension et doivent être installées par un électricien agréé ou certifié ou un technicien qualifié en entretien de piscine.

#### **AVERTISSEMENT**

En raison du risque potentiel d'incendie, de choc électrique ou de blessures aux personnes, l'équipement Zodiac doit être installé en conformité avec le Code national de l'électricité, tous les codes locaux d'électricité et de sécurité et la Loi sur la santé et la sécurité au travail (OSHA). Des copies du Code national de l'électricité peuvent être commandées auprès de la « National Fire Protection Association », 470 Atlantic Ave., Boston, MA 02210, ou de l'agence locale d'inspection gouvernementale.

#### **AVERTISSEMENT**

**RISQUE DE CHOC ÉLECTRIQUE, D'INCENDIE, DE BLESSURES OU DE MORT.** Brancher seulement à un circuit qui est protégé par un disjoncteur de fuite à la terre (GFCI). Consulter un électricien certifié s'il y a doute. S'assurer qu'un tel disjoncteur est fourni par l'installateur et fait l'objet d'essais régulièrement. Pour tester le disjoncteur de fuite à la terre, appuyer sur le bouton de test. Le disjoncteur de fuite à la terre doit couper l'alimentation électrique. Appuyer sur le bouton de réinitialisation. L'alimentation électrique devrait être restaurée. Si le disjoncteur de fuite à la terre ne fonctionne pas de cette façon, le disjoncteur est défectueux. Si le disjoncteur de fuite à la terre coupe l'alimentation à la pompe sans que le bouton de test soit enfoncé, il y a alors écoulement de courant à la terre, ce qui indique la possibilité de choc électrique. Ne pas utiliser l'appareil Débrancher cet appareil et s'assurer que le problème soit résolu par un représentant de service qualifié avant de l'utiliser.

#### **AVERTISSEMENT**

Un équipement mal installé peut être défaillant et peut ainsi causer des blessures graves ou des dommages matériels.



## AVERTISSEMENT

- Ne pas connecter le système à un réseau urbain de distribution d'eau non réglementé ou à une source externe d'eau sous pression, générant des pressions supérieures à 2,4 bars (35 psi).
- L'air piégé dans le système peut provoquer une ouverture explosive du couvercle du filtre pouvant causer la mort, de graves blessures personnelles ou des dommages matériels. S'assurer que tout l'air est bien expulsé du système avant de l'utiliser.

## AVERTISSEMENT

Pour réduire les risques de blessure grave, voire de mort, le filtre et/ou la pompe ne devraient pas être soumis à l'essai de mise sous pression du système de tuyauterie.

Les codes locaux peuvent exiger l'application d'un essai de pression au système de tuyauterie de la piscine. Ces exigences ne s'appliquent généralement pas à l'équipement de piscine tel que les filtres ou les pompes.

L'équipement de piscine Zodiac® a fait l'objet d'essais de mise sous pression en usine.

Si toutefois l'AVERTISSEMENT ne peut être respecté et que l'essai de pression du système de tuyauterie doit aussi comprendre le filtre et/ou la pompe, S'ASSURER DE SE CONFORMER AUX CONSIGNES DE SÉCURITÉ SUIVANTES :

- Vérifier les serre-joints, les boulons, les couvercles, les bagues de retenue et les accessoires du système pour s'assurer qu'ils sont correctement installés et fixés solidement avant d'effectuer un essai.
- **ENLEVER TOUT L'AIR** du système avant l'essai.
- La pression de l'eau pendant l'essai NE DOIT PAS DÉPASSER 2,4 BARS (35 PSI).
- La température de l'eau pendant l'essai NE DOIT PAS DÉPASSER 100°F (38°C).
- Limiter l'essai à 24 heures. Après l'essai, vérifier visuellement le système pour s'assurer qu'il est prêt à fonctionner.

**Avis** : Ces paramètres s'appliquent uniquement à l'équipement Zodiac. Pour l'équipement non fabriqué par Zodiac, veuillez consulter le fabricant.

## AVERTISSEMENT

Des déversements et vapeurs chimiques peuvent affaiblir l'équipement de la piscine ou du spa. La corrosion peut entraîner la défaillance des filtres et autre équipement, ce qui peut entraîner des blessures graves ou des dommages matériels. Ne pas entreposer de produits chimiques de piscine près de votre équipement.

## ATTENTION

**Ne pas démarrer votre pompe à sec!** Faire fonctionner la pompe à sec pendant une durée quelconque causera des dommages importants et annulera la garantie.

## ATTENTION

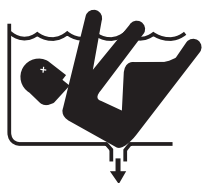
Cette pompe doit être utilisée avec des piscines installées de manière permanente et, si c'est également mentionné, avec des jacuzzis et des spas. Ne pas utiliser avec des piscines remisables. Une piscine installée est construite dans le sol ou en surface ou dans un bâtiment, de manière à ce qu'elle ne puisse pas être facilement démontée pour l'entreposage. Une piscine remisable est construite pour qu'elle puisse facilement être démontée pour être rangée, puis remontée à son état initial.

## ATTENTION

Ne pas installer dans une enceinte externe ou sous la jupe d'une cuve thermale. La pompe nécessite une ventilation adéquate pour maintenir la température de l'air inférieure à la température ambiante maximale indiquée sur la plaque des caractéristiques du moteur.

**CONSERVER CES DIRECTIVES**

## 1.2 Normes de prévention du piégeage par l'aspiration de la pompe de piscine.



### ⚠ AVERTISSEMENT

**DANGER D'ASPIRATION.** Peut provoquer de graves blessures ou la mort. Ne pas utiliser cette pompe pour des pataugeoires ou des piscines peu profondes ou des spas ayant des canalisations d'évacuation à la base, sauf si la pompe est connectée à au moins deux (2) orifices d'aspiration qui fonctionnent.

### ⚠ AVERTISSEMENT

L'aspiration de la pompe est dangereuse et peut piéger, noyer ou éviscérer les baigneurs. Ne pas utiliser ni faire fonctionner les piscines, les spas ou les jacuzzis si un couvercle de sortie d'aspiration est absent, brisé ou instable. Les directives suivantes fournissent l'information d'installation de la pompe qui permet de réduire le plus possible les risques de blessures aux utilisateurs des piscines, des spas et des jacuzzis :

**Protection contre le piégeage** – Le système d'aspiration de la pompe doit fournir une protection contre les dangers de piégeage par aspiration.

**Couvercles de sorties d'aspiration** – Toutes les sorties d'aspiration doivent être correctement installées et les couvercles bien vissés en place. Tous les couvercles de sortie d'aspiration (canalisation d'évacuation) doivent être entretenus. Les couvercles de canalisations d'évacuation doivent être listés/certifiés par la dernière édition publiée d'ANSI/ASME A112.19.8. Ils doivent être remplacés s'ils sont fissurés, cassés ou absents.

**Nombre de sorties d'aspiration par pompe** – Fournir au moins deux (2) canalisations d'évacuation hydrauliquement équilibrées, avec couvercles, en guise de sorties d'aspiration pour chaque conduite d'aspiration de pompe de circulation. Les centres des canalisations d'évacuation principales (sorties d'aspiration) sur toute conduite d'aspiration doivent être à au moins un (1) mètre (3 pi) l'une de l'autre, de centre en centre. Voir la Figure 1 à la Page 35.

Le système **doit** être conçu pour comprendre au moins deux sorties d'aspiration (canalisations d'évacuation) connectées à la pompe chaque fois que la pompe fonctionne. Cependant, si deux (2) canalisations principales d'évacuation aboutissent à une seule conduite d'aspiration, cette dernière peut être équipée d'un robinet qui coupera les deux canalisations principales d'évacuation de la pompe. Le système doit être conçu de manière à ne pas permettre une fermeture ou un isolement, distinct ou indépendant de chaque canalisation d'évacuation. Voir la Figure 1 à la Page 35.

Plus d'une (1) pompe peut être connectée à une seule conduite d'aspiration aussi longtemps que les exigences susmentionnées soient remplies.

**Vitesse du courant** – La vitesse maximale de l'eau à travers le raccord d'aspiration ou le couvercle pour toute sortie d'aspiration doit être de 45 cm/s (1,5 pi/s), à moins que la sortie ne soit conforme à la dernière version de la norme ANSI/ASME A112.19.8, la norme pour les *Raccords d'aspiration à utiliser dans les applications de piscine, de pataugeoire, de spa, de cuve thermique et de baignoire de massage*. Dans tous les cas, ne pas dépasser les débits maximaux conçus pour les raccords d'aspiration.

Si 100 % du débit de la pompe provient du système principal de canalisation d'évacuation, la vitesse maximale de l'eau dans le système hydraulique de la pompe d'aspiration doit être de 1,8 m/s (6 pi/s) ou moins, même lorsqu'une (1) canalisation d'évacuation principale (sortie d'aspiration) est complètement bloquée. Le débit à travers les autres drains principaux doit se conformer à la dernière édition publiée de la norme ANSI/ASME A112.19.8, la norme pour les *Raccords d'aspiration à utiliser dans les applications de piscine, de pataugeoire, de spa, de cuve thermique et de baignoire de massage*.

**Essais et certification** – Les couvercles pour la prise d'aspiration doivent avoir fait l'objet d'essais de la part d'un laboratoire reconnu au niveau national et jugés conformes à la dernière version publiée de la norme ANSI/ASME A112.19.8, la norme pour les *Raccords d'aspiration à utiliser dans les applications de piscine, de pataugeoire, de spa, de cuve thermique et de baignoire de massage*.

**Raccords** – Les raccords limitent le débit, pour une plus grande efficacité, utiliser le moins de raccords possibles (mais au moins deux (2) sorties d'aspiration).

Éviter les raccords qui pourraient causer le piégeage d'air.

Les raccords d'aspiration du nettoyeur à piscine doivent être conformes aux normes de l'Association Internationale de plomberie et des codes mécaniques (IAPMO).

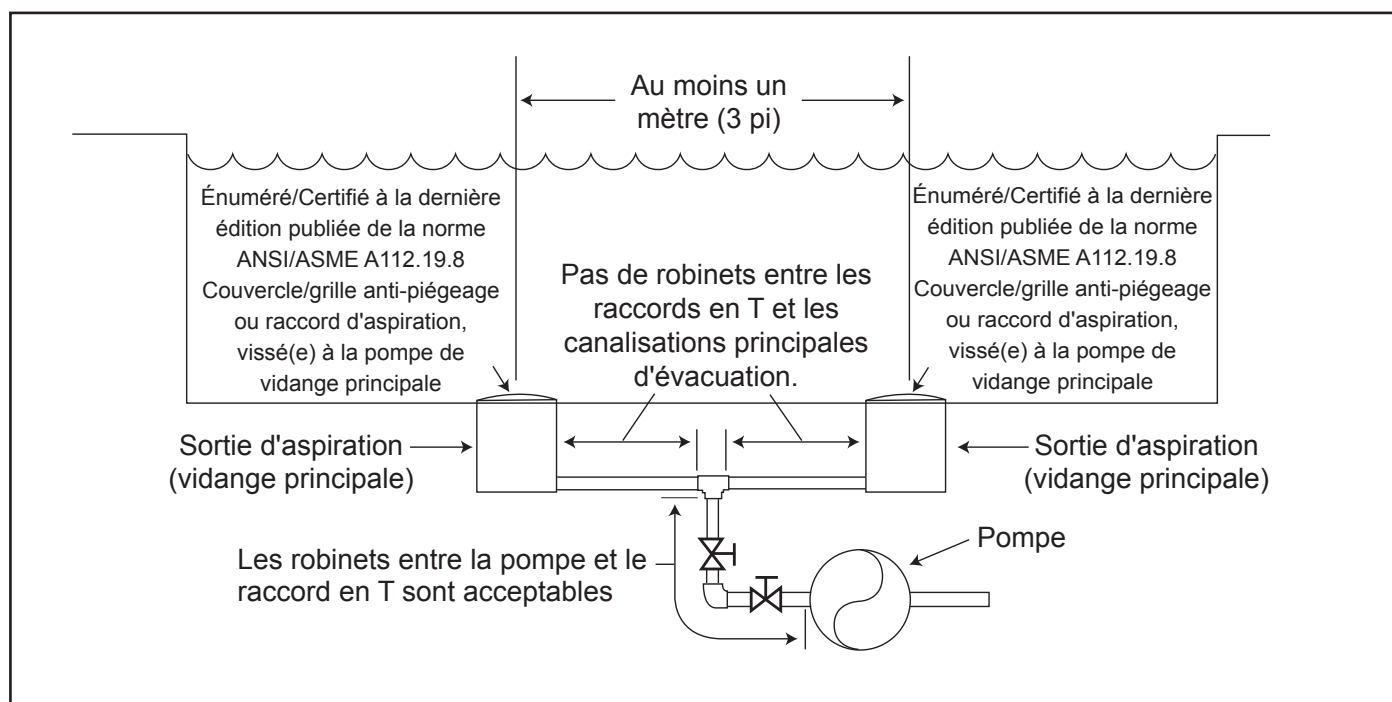


Figure 1. Nombre de sorties d'aspiration par pompe

## Section 2. Description générale

### 2.1 Introduction

Le présent manuel contient de l'information pour l'installation, le fonctionnement et l'entretien appropriés des pompes à vitesse variable de série VS-FHP FloPro Jandy. Les procédures de ce manuel doivent être scrupuleusement suivies. Pour obtenir des copies supplémentaires de ce manuel, communiquer avec le service à la clientèle de Zodiac® au 1 800 822-7933. Pour les coordonnées, voir au verso du présent manuel.

### 2.2 Description

La VS-FHP est une pompe à vitesse variable qui peut tourner de 600 tr/min à 3 450 tr/min. Lorsqu'elle est raccordée au régulateur JEP-R, jusqu'à huit (8) paramètres de vitesse pourront être programmés et rappelés. Cela permet de choisir la vitesse la plus adéquate pour votre application. Une programmation encore plus polyvalente est possible lorsque vous utilisez un régulateur RS AquaLink® ou PDA AquaLink.

La pompe est entraînée par un MSAP (moteur synchrone à aimant permanent) à vitesse variable, lié directement à la turbine de la pompe. Le moteur fait tourner la turbine qui entraîne l'eau à travers la pompe. Au fur et à mesure que la vitesse du moteur varie, le débit de la pompe varie également. Le débit réglable permet l'optimisation du débit au cours des exigences du cycle variable de la pompe. En conséquence, le rendement énergétique de la pompe est maximisé, ce qui se traduit par des économies pour le propriétaire de la piscine tout en contribuant à préserver l'environnement.

## Section 3. Information sur l'installation

### 3.1 Plomberie

#### 3.1.1 Information sur la préparation

1. Dès réception de la pompe, vérifier que la caisse d'expédition n'est pas endommagée. Ouvrir le carton et vérifier que la pompe ne cache aucun dommage comme des fissures, des bosses et que la base n'a pas été pliée. S'il y a des dommages, communiquer avec l'expéditeur ou le concessionnaire chez qui la pompe a été achetée.
2. Inspecter le contenu du carton et vérifier que toutes les pièces s'y trouvent. Voir Section 7.1, Liste et vue éclatée des pièces de rechange

#### 3.1.2 Emplacement de la pompe

1. Zodiac Pool Systems, Inc. recommande d'installer la pompe à un (1) pied (30 cm) au-dessus du niveau d'eau. La pompe ne devrait pas être élevée de plus d'un mètre au-dessus de la surface de l'eau de la piscine.

**REMARQUE** Pour réaliser un meilleur autoamorçage, installer la pompe le plus près possible du niveau d'eau de la piscine.

2. Si la pompe est située en dessous du niveau de l'eau, les clapets d'isolement doivent être installés à la fois dans les conduites d'aspiration et de retour pour empêcher le retour d'eau de la piscine pendant tout entretien requis ou de routine.

**REMARQUE** Lorsque l'équipement de la piscine se trouve au-dessous de la surface de la piscine, une fuite peut entraîner une perte d'eau importante ou une inondation. Zodiac Pool Systems, Inc. ne peut pas être tenu responsable d'une perte d'eau ou d'une inondation ou d'un dommage occasionné par l'un de ces accidents.

3. La pompe et autre équipement de circulation doivent être situés à plus d'un mètre et demi (cinq pieds) de l'eau. Choisir un emplacement qui réduira les enroulements de tuyauterie.

**REMARQUE** Au Canada, la pompe doit être située à un minimum de trois (3) mètres (environ 10 pieds) de l'eau (CSA C22.1).

4. La pompe doit être placée sur une base solide qui ne vibrera pas. Pour réduire davantage la possibilité de bruit de vibration, verrouiller la pompe à la base ou la placer sur un tapis de caoutchouc.

**REMARQUE** Zodiac Pool Systems, Inc. recommande de verrouiller la pompe directement à la base.

5. La fondation de la pompe doit avoir un drainage adéquat pour empêcher de mouiller le moteur. Protéger la pompe de la pluie et du soleil.

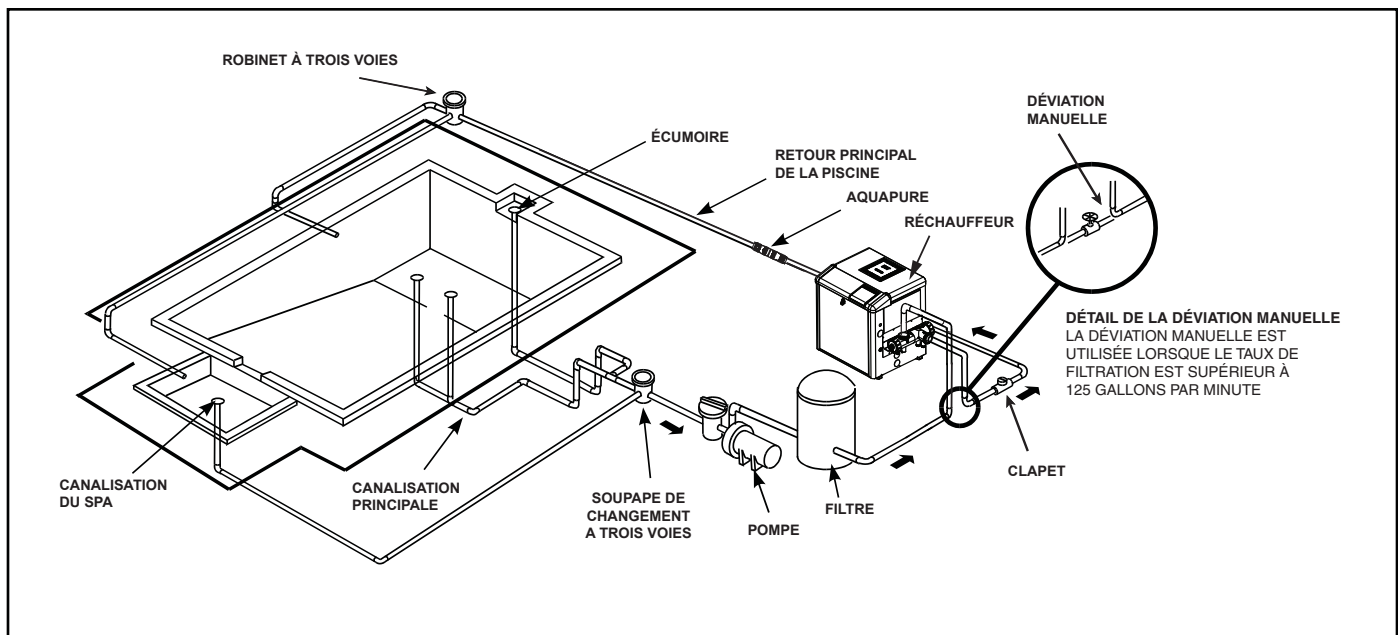


Figure 2. Installation typique de la tuyauterie

6. Une bonne ventilation est requise pour que la pompe fonctionne normalement. Tous les moteurs dégagent de la chaleur, qui doit être évacuée par une bonne ventilation.
7. Prévoir un accès pour entretien futur en laissant une zone dégagée autour de la pompe. Laisser beaucoup d'espace au-dessus de la pompe pour pouvoir ôter le couvercle et le panier-filtre lors du nettoyage.
8. Si l'équipement est dans une zone potentiellement sombre, prévoir un éclairage adéquat.

### 3.1.3 Dimension de la canalisation

#### 3.1.3.1 Canalisation d'aspiration

Lorsque la pompe est située à 50 pieds (15 mètres) de la piscine, les dimensions minimales recommandées pour le côté aspiration de la pompe est de deux pouces (5 cm). Pour des longueurs d'aspiration supérieures à 50 pieds (15 mètres) voir la Section 3.1.3.3 Étape 2.

#### 3.1.3.2 Canalisation de refoulement

Lorsque la pompe est située à 50 pieds (15 mètres) de la piscine, les dimensions minimales recommandées pour le côté refoulement de la pompe est de deux pouces (5 cm). Pour des longueurs de refoulement supérieures à 50 pieds (15 mètres) voir la Section 3.1.3.3 Étape 2.

#### 3.1.3.3 Conseils d'installation

1. Si la pompe est située en dessous du niveau de l'eau, les clapets d'isolement doivent être installés sur les deux côtés de la pompe pour empêcher le retour d'eau pendant tout entretien requis ou de routine.
2. Pour aider à prévenir les difficultés au moment de l'amorçage, installer la canalisation d'aspiration sans point haut (dessus de l'admission de la pompe - « U » inversés, communément nommés « poches d'air » en plomberie) qui piègent l'air. Pour l'installation de l'équipement jusqu'à 100 pieds (30 m) de l'eau, se référer au Tableau 1, le graphique des dimensions de la canalisation. Pour l'installation de l'équipement de plus de 100 pieds (30 m) de l'eau, les dimensions de canalisation recommandées doivent être des dimensions suivantes.

**Tableau 1. Tableau des dimensions de canalisation pour l'annexe 40 en PVC**

Dimensions de la canalisation	Débit maximal d'aspiration (2,4 mètres (6 pi) par seconde)	Débit de refoulement maximal (2,4 mètres (8 pi) par seconde)
3,8 cm (1½ po)	37 gpm (140 L/min)	50 gpm (189 L/min)
5 cm (2 po)	62 gpm (235 L/min)	85 GPM (322 L/min)
6,4 cm (2½ po)	88 gpm (333 L/min)	120 GPM (454 L/min)
7,6 cm (3 po)	136 gpm (515 L/min)	184 GPM (697 L/min)
10 cm (4 po)	234 gpm (886 L/min)	313 gpm (1 185 L/min)

3. Les pompes VS-FHP sont munies de raccords aux deux orifices d'aspiration et de refoulement. Cette fonctionnalité simplifie l'installation et l'entretien et élimine la possibilité de fuite dans les adaptateurs filetés.
4. La pompe VS-FHP doit être connectée à au moins deux (2) canalisations d'évacuation d'eau hydrauliquement équilibrées pour chaque conduite d'aspiration de la pompe de piscine. Chaque drain doit être fourni avec des couvercles qui sont énumérés ou certifiés à la dernière édition publiée de la norme ANSI/ASME A112.19.8. Les raccords d'aspiration des principaux drains doivent être séparés l'un de l'autre d'au moins trois (3) pieds (1 m) ou à des plans différents. Les raccords d'aspiration peuvent être constitués d'une canalisation d'évacuation et une écumoire, de deux (2) canalisations d'évacuation, de deux (2) écumoires ou d'une écumoire avec une ligne égalisatrice installée. Vérifier les codes locaux pour une bonne installation.

**REMARQUE** Pour éviter le piégeage, le système doit être construit de façon à ce qu'il ne puisse pas fonctionner avec la pompe tirant l'eau d'un seul drain principal (1). Au moins deux (2) canalisations principales d'évacuation doivent être connectées à la pompe pendant son fonctionnement. Cependant, si deux (2) canalisations principales d'évacuation aboutissent à une seule conduite d'aspiration, cette dernière peut être équipée d'un robinet qui coupera les deux canalisations principales d'évacuation de la pompe.

5. La canalisation doit être bien soutenue et ne pas forcer là où elle exerce une pression constante.
6. Toujours utiliser des robinets bien calibrés. Les inverseurs et les clapets à bille Jandy ont les meilleures capacités d'écoulement.
7. Utiliser le moins de raccords possibles. Chaque raccord supplémentaire a pour effet de déplacer l'équipement plus loin de l'eau.

**REMARQUE** Si plus de dix (10) raccords d'aspiration sont nécessaires, les dimensions de la canalisation doivent être augmentées.

8. Chaque nouvelle installation doit subir un essai de pression conformément aux codes locaux.

### 3.1.4 Remplacement de la pompe existante.

Les pompes FHP de Série Jandy Pro® peuvent facilement remplacer plusieurs autres pompes : Hayward® Super Pump®, Pentair® SuperFlo®, Pentair® WhisperFlo®, PlusHP (PHP) de Série Jandy Pro et MaxHP (MHP) de Série Jandy Pro.

Pour remplacer les pompes WhisperFlo de Pentair, PHP de Série Jandy Pro ou MHP de Série Jandy Pro, utiliser la base réglable de FHP. La base FHP (et ses entretoises) augmente la hauteur totale de la pompe et la hauteur du côté aspiration de la pompe. Voir tableau 2.

Tableau 2. Dimensions FHP

Configuration de la base	Hauteur du côté d'aspiration	Hauteur de la pompe
Pompe sans base	19,7 cm (7 ¾ po)	32,4 cm (12¾ po)
Pompe avec base	22,5 cm (8⅞ po)	35,2 cm (13⅞ po)
Pompe avec base et les entretoises	23,2 cm (9⅞ po)	35,9 cm (14⅞ po)

#### 3.1.4.1 Super Pump de Hayward et SuperFlo de Pentair

La FHP de Série Jandy Pro peut remplacer une pompe Super Pump de Hayward ou une pompe SuperFlo de Pentair sans utiliser la base de FHP. Voir la Figure 3.

#### 3.1.4.2 PlusHP (PHP) de Série Jandy Pro et MaxHP (MHP) de Série Jandy Pro

Pour remplacer une pompe PHP de Série Jandy Pro ou MHP de Série Jandy Pro par une FHP de Série Jandy Pro, utiliser la base de FHP, tel qu'il est indiqué à la Figure 4.

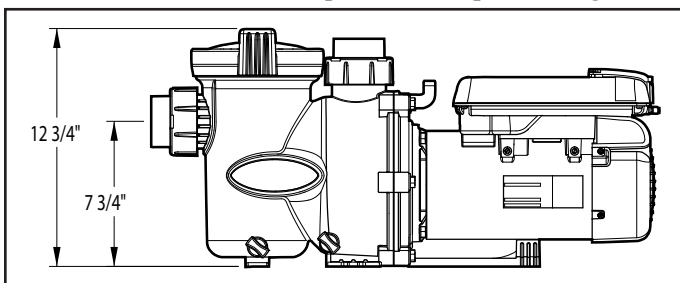


Figure 3. Placer le FHP directement sur la plaque

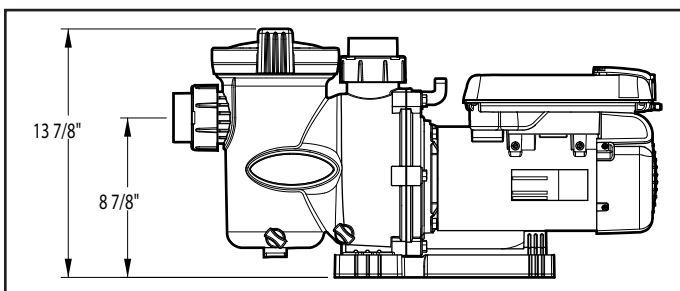


Figure 4. Placer le FHP avec la base sur la plaque

#### 3.1.4.3 Pompe WhisperFlo de Pentair

Pour remplacer une pompe WhisperFlo de Pentair par une FHP de Série Jandy Pro, placer la base FHP base avec des entretoises sur le coussin de l'équipement et placer la FHP sur la base, tel qu'il est indiqué à la Figure 7.

1. À l'aide d'un outil de coupe à main, couper les barrettes en plastique qui relient les entretoises supérieures et inférieures, tel que cela est illustré à la Figure 5.
2. Retirer les deux (2) entretoises du haut et les deux (2) entretoises du bas de la base.
3. Aligner les broches des quatre (4) entretoises avec les trous de la base, puis emboîter les entretoises en place, tel qu'il est indiqué à la Figure 6.

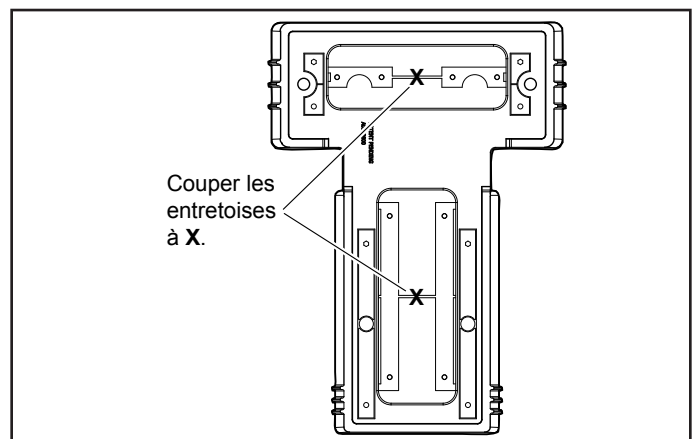


Figure 5. Découper les entretoises de la base

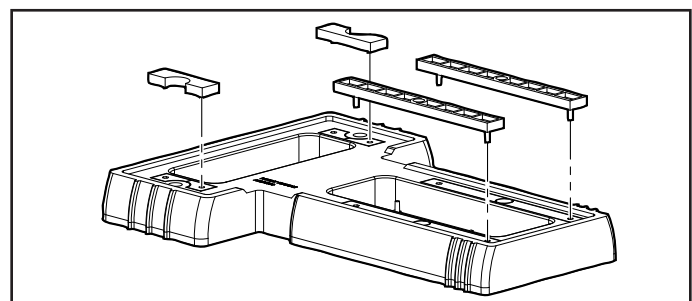


Figure 6. Emboîter les entretoises en place

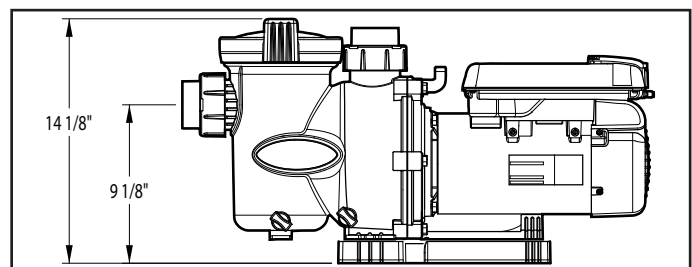


Figure 7. Placer le FHP avec la base et les entretoises sur la plaque

Hayward® et Super Pump® sont des marques déposées de Hayward Industries, Inc.

Pentair® est une marque déposée de Pentair, Inc.

SuperFlo® et WhisperFlo® sont des marques déposées de Pentair Water Pool and Spa, Inc.

## 3.2 Installation électrique

### 3.2.1 Vérifications de la tension

La tension correcte, tel qu'il est indiqué sur la plaque signalétique de la pompe et le tableau des spécifications à la Page 54, est nécessaire à la performance appropriée et à la durée de vie du moteur. Une tension inappropriée diminuera le rendement de la pompe et pourrait causer de la surchauffe, réduire la durée de vie du moteur et entraîner l'augmentation de la facture d'électricité.

Il est de la responsabilité de l'installateur de fournir la tension fonctionnelle de la pompe figurant sur la plaque d'identification en s'assurant que les bonnes dimensions de circuit et de câble soient utilisées pour cet usage spécifique.

Le Code national de l'électricité (NEC, NFPA-70) exige que tous les circuits de la pompe d'une piscine soit protégés par un disjoncteur de fuite à la terre (GFCI). Par conséquent, il est également de la responsabilité de l'installateur électrique qu'il s'assure que le circuit de la pompe est en conformité avec la présente et quelque autre exigence en vigueur du Code national de l'électricité (NEC) et quelque autre code d'installation en vigueur.

### ATTENTION

L'omission de fournir la tension (à 10 % près) figurant sur la plaque d'identification au cours du fonctionnement causera la surchauffe du moteur et annulera la garantie.

### 3.2.2 Connexion et mise à la terre

1. Le châssis du moteur doit être mis à la terre à l'aide d'un conducteur solide en cuivre de calibre n° 8 ou plus grand. L'armature du moteur doit être reliée aux pièces métalliques de la structure de la piscine, du bain à remous ou du spa et à tout l'équipement électrique, au conduit en métal et à la canalisation en métal à moins de cinq (5) pieds (1,5 m) des murs intérieurs de la piscine, du bain à remous ou du spa.

**REMARQUE** Au Canada, la pompe doit être située à un minimum de trois (3) mètres (environ 10 pieds) de l'eau (CSA C22.1).

2. Faire le raccordement de mise à la terre du moteur à l'aide de la cosse externe fournie. Voir la Figure 8.

### ⚠ AVERTISSEMENT

Débrancher toujours la source d'alimentation avant de travailler sur un moteur ou sur sa charge branchée.

### ⚠ AVERTISSEMENT

S'assurer que le commutateur de commande, l'horodateur ou le système de contrôle est installé dans un endroit accessible, de manière à ce que dans le cas d'une panne d'équipement ou de raccord de plomberie desserré, le matériel puisse être désactivé. Cet endroit ne doit pas être dans la même zone que la pompe de piscine, le filtre et autre équipement.

### ATTENTION

Cette pompe doit être connectée en permanence à un circuit électrique dédié. Aucun autre équipement, lumière, appareil ou prise de courant ne peut être connecté au circuit de la pompe à l'exception des dispositifs qui peuvent devoir fonctionner en même temps que la pompe tel qu'un chlorateur ou un appareil de chauffage.

### 3.2.3 Câblage électrique

1. Le moteur de la pompe doit être mis à la terre de manière sécurisée et adéquate en utilisant le tournevis vert fourni. Mettre à la terre avant d'essayer de connecter à une source d'alimentation électrique. Ne pas mettre à la terre à un tuyau d'alimentation en gaz.
2. La dimension du câble doit être appropriée pour réduire la chute de tension pendant le démarrage et le fonctionnement de la pompe. Voir le tableau 3 pour des tailles suggérées de câbles.
3. Isoler soigneusement toutes les connexions pour empêcher la mise à la terre ou les courts-circuits. Les extrémités tranchantes des bornes nécessitent une protection supplémentaire. Pour des raisons de sécurité et pour empêcher la pénétration de contaminants, remplacer tous les couvercles de boîtes de dérivation et de connexions. Ne pas forcer les connexions à la boîte de dérivation.

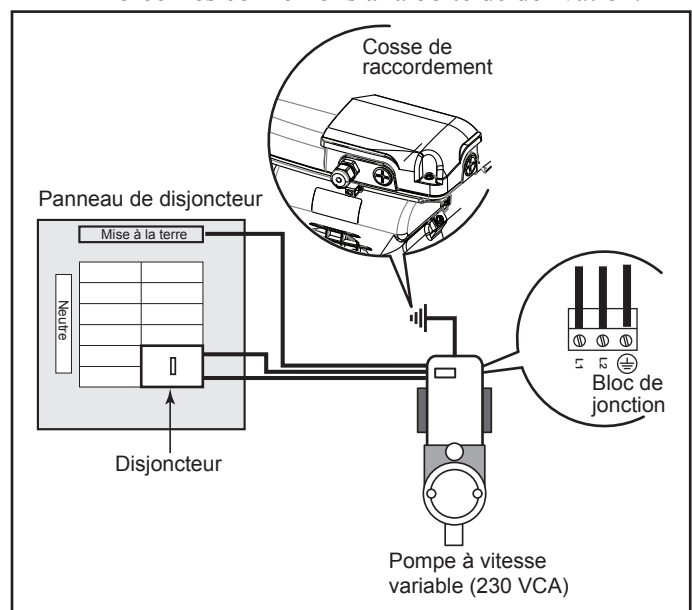


Figure 8. Collage du moteur

Tableau 3. Dimensions des câbles recommandées pour les pompes à vitesse variable

DIMENSIONS DES CÂBLES RECOMMANDÉES POUR LES POMPES VS-FHP*		
Distance du sous-panneau		0-150 pieds (0-45 mètres)
Modèle	Ampérage des fusibles de dérivation Classe : CC, G, H, J, K, RK ou T 230 VCA	TENSION 230 VCA
VS-FHP 2.0	20 A	12

\*Suppose trois (3) fils en cuivre dans un conduit enterré et une perte maximale de tension de 3 % dans le circuit branché. Tous les codes nationaux d'électricité (NEC) ou le Code canadien de l'électricité (CSA) et les codes locaux doivent être respectés. Le tableau indique les dimensions minimales des fils et les recommandations relativement aux fusibles de dérivation pour une installation standard.

**REMARQUE** Puisque la pompe est actionnée soit par un régulateur à vitesse variable (JEP-R), un régulateur RS AquaLink® ou un Assistant numérique de piscine AquaLink (PDA), la pompe ne sera pas activée jusqu'à ce qu'elle soit mise en marche avec l'un de ces régulateurs.

### 3.2.4 Installation du régulateur

La pompe VS-FHP peut être actionnée par l'un (1) des trois (3) régulateurs : le régulateur à vitesse variable, le régulateur AquaLink® (Rév O ou version ultérieure) ou le PDA AquaLink (Rév 4.0 ou version ultérieure). La pompe à vitesse variable FloPro communique avec les régulateurs au moyen d'une interface RS-485 à quatre fils.

Si vous devez couper le câble RS-485 d'une longueur particulière, assurez-vous de peler et de sertir le câble de terre blindé.

Pour installer le régulateur à vitesse variable :

## IMPORTANT

L'installateur doit activer les interrupteurs 1 et 2 de la pompe VS-FHP lorsqu'elle est raccordée au régulateur à vitesse variable.

**REMARQUE** Le numéro de pièce du régulateur à vitesse variable est JEP-R.

1. Coupez l'alimentation de la pompe VS-FHP en déconnectant les lignes haute tension ou en ouvrant un disjoncteur auquel l'alimentation de la pompe VS-FHP est raccordée.

## ⚠ AVERTISSEMENT

### DANGER DE CHOC ÉLECTRIQUE

Mettre hors tension tous les interrupteurs et le disjoncteur principal dans le circuit électrique de la pompe VS-FHP avant de commencer la procédure. L'omission d'être conforme peut provoquer un risque de choc, qui peut entraîner des blessures corporelles, voire la mort.

2. Retirer le couvercle de la boîte de jonction de la VS-FHP et alimenter le câble RS-485 dans le raccord.
3. Débrancher le connecteur RS-485 de la VS-FHP.
4. Fixer les quatre (4) fils dans le câble RS-485 vers le connecteur RS-485. Faire correspondre les couleurs de fil avec les positions sur le connecteur : 1 - rouge, 2 - noir, 3 - jaune et 4 - vert. Voir les figure 9.
5. Insérer le connecteur RS-485 à l'arrière de la pompe VS-FHP.

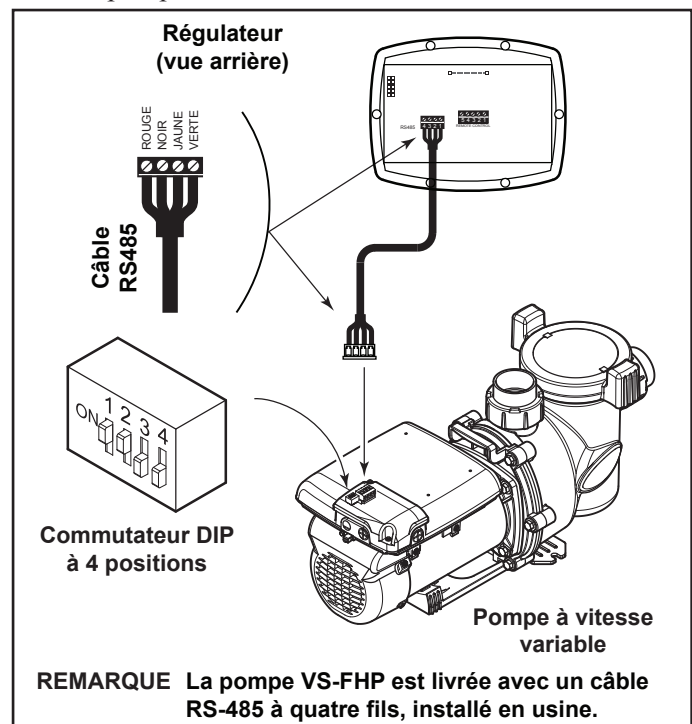


Figure 9. Câblage du régulateur à vitesse variable (JEP-R) vers la pompe VS-FHP



6. Faire glisser les commutateurs DIP 1 et 2 vers le haut, de manière à ce qu'ils soient sous tension et les commutateurs DIP 3 et 4 vers le bas, de manière à ce qu'ils soient hors tension. Voir la Figure 9.
7. Raccorder l'autre extrémité du câble au régulateur. Faire correspondre les couleurs des fils avec les positions appropriées du connecteur comme suit : 1 - rouge, 2 - noir, 3 - jaune et 4 - vert.
8. Remettre l'alimentation sur la pompe VS-FHP, puis vérifier le fonctionnement du régulateur.
9. Se référer au manuel d'utilisation du régulateur à vitesse variable, H0311200, pour faire fonctionner la pompe.

**Pour installer un régulateur RS AquaLink® (Rév O ou version ultérieure) ou un PDA AquaLink (Rév 4.0 ou version ultérieure) :**

1. Coupez l'alimentation de la pompe VS-FHP en déconnectant les lignes haute tension ou en ouvrant un disjoncteur auquel l'alimentation de la pompe VS-FHP est raccordée.

## **⚠ AVERTISSEMENT** **EDANGER DE CHOC ÉLECTRIQUE**

Mettre hors tension tous les interrupteurs et le disjoncteur principal dans le circuit électrique de la pompe VS-FHP avant de commencer la procédure. Le non-respect des consignes pourra provoquer un risque de choc électrique entraînant des blessures, voire la mort.

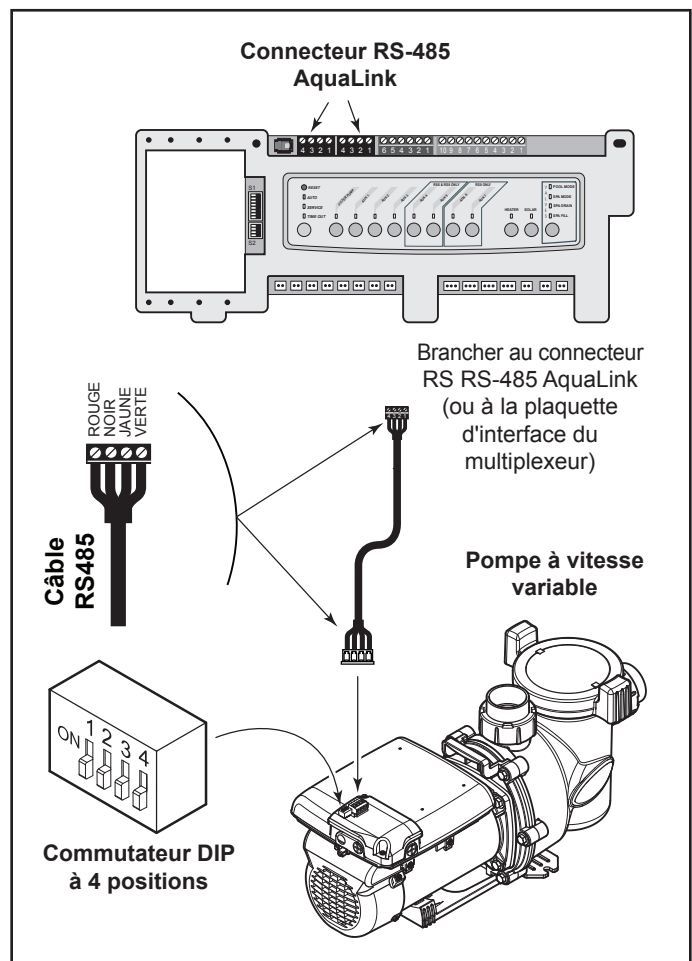
2. Faire glisser les commutateurs 1 et 2 vers le bas, de manière à ce qu'ils soient hors tension. Voir la Figure 10.
3. Sélectionner les adresses désirées pour la pompe VS-FHP en réglant les commutateurs DIP 3 et/ou 4, tel qu'il est indiqué à la *Section 3.3, Réglages des commutateurs DIP de la pompe VS-FHP*.
4. Raccorder l'autre extrémité du câble à un connecteur RS-485 sur le RS AquaLink® (ou carte d'interface du multiplexeur), en faisant correspondre les couleurs de fil avec les positions du connecteur, comme suit : 1-rouge, 2-noir, 3-jaune et 4-vert. Voir la Figure 10.
5. Rétablir l'alimentation vers la pompe VS-FHP et vérifier le fonctionnement du régulateur.
6. Consulter le manuel approprié pour l'installation et le fonctionnement de la pompe : Manuel d'utilisation du RS AquaLink, 6593, Manuel d'utilisation du PDA AquaLink, H0572300.

### 3.3 Réglages des commutateurs DIP de la pompe VS-FHP

Tel qu'il est indiqué aux Figures 9 et 10, le commutateur DIP à quatre positions se situe à l'arrière de la pompe VS-FHP. Ce commutateur DIP remplit deux (2) fonctions : il choisit l'adresse de la pompe et détermine quel type de régulateur sera employé avec la pompe. Les tableaux ci-dessous montrent les configurations des commutateurs DIP.

Interrupteur 1	Interrupteur 2	Régulateur
OFF (désactivé)	OFF (désactivé)	RS AquaLink ou PDA AquaLink
ON (activé)	ON (activé)	Régulateur à vitesse variable JEP-R

Interrupteur 3	Interrupteur 4	Adresse de la pompe
OFF (désactivé)	OFF (désactivé)	Pompe 1
ON (activé)	OFF (désactivé)	Pompe 2
OFF (désactivé)	ON (activé)	Pompe 3
ON (activé)	ON (activé)	Pompe 4



**Figure 10. Câblage du régulateur RS AquaLink ou PDA AquaLink vers la pompe VS-FHP**

### 3.4 Retirer le couvercle de la pompe

1. S'assurer que la pompe est arrêtée.
2. S'assurer que le commutateur au disjoncteur qui actionne le moteur de la pompe est arrêté.

#### **⚠ AVERTISSEMENT**

##### **EDANGER DE CHOC ÉLECTRIQUE**

Arrêter la pompe et le disjoncteur principal dans le circuit électrique de la pompe avant de commencer la procédure. L'omission d'être conforme peut provoquer un risque de choc, qui peut entraîner des blessures corporelles, voire la mort.

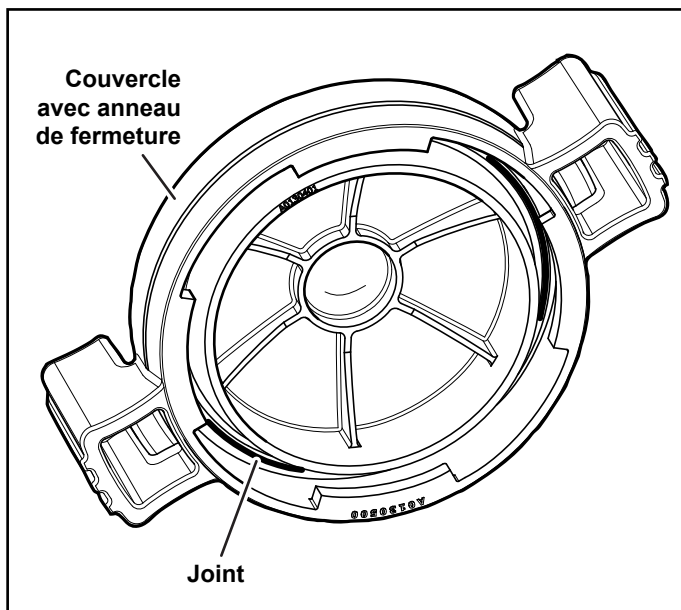
#### **⚠ AVERTISSEMENT**

##### **EDANGER DE CHOC ÉLECTRIQUE**

En raison du risque potentiel d'incendie, de choc électrique ou de blessures, les pompes Zodiac® doivent être installées en conformité avec le Code national de l'électricité (NEC), tous les codes locaux d'électricité et de sécurité et la Loi sur la santé et la sécurité au travail (OSHA). Des copies de la NEC peuvent être commandées auprès de l'Association nationale de protection, 470 Atlantic Ave., Boston, MA 02210, ou auprès de votre organisme local d'inspection gouvernemental.

Au Canada, les pompes Zodiac doivent être installées en conformité avec le Code canadien de l'électricité (CEC).

3. S'assurer que tous les robinets d'isolement nécessaires sont fermés pour empêcher l'eau de la piscine d'atteindre la pompe.
4. En suivant les inscriptions sur l'anneau de fermeture, tourner l'anneau selon le sens antihoraire jusqu'à ce que le repère « START »



s'aligne sur les ports. Voir les Figures 11 et 12.

5. Enlever soigneusement le couvercle avec l'anneau de fermeture.

### 3.5 Effectuer des essais de mise sous pression

#### **⚠ AVERTISSEMENT**

Lors de l'essai de pression d'un système à l'eau, de l'air est souvent piégé dans le système pendant le processus de remplissage. Cet air se comprime quand le système est sous pression. Si le système s'avère défaillant, cet air piégé peut propulser des débris à haute vitesse et causer des blessures. Aucun effort ne doit être ménagé pour enlever l'air piégé, y compris l'ouverture du robinet de purge du filtre et le desserrage du couvercle du panier-filtre pendant le remplissage de la pompe.

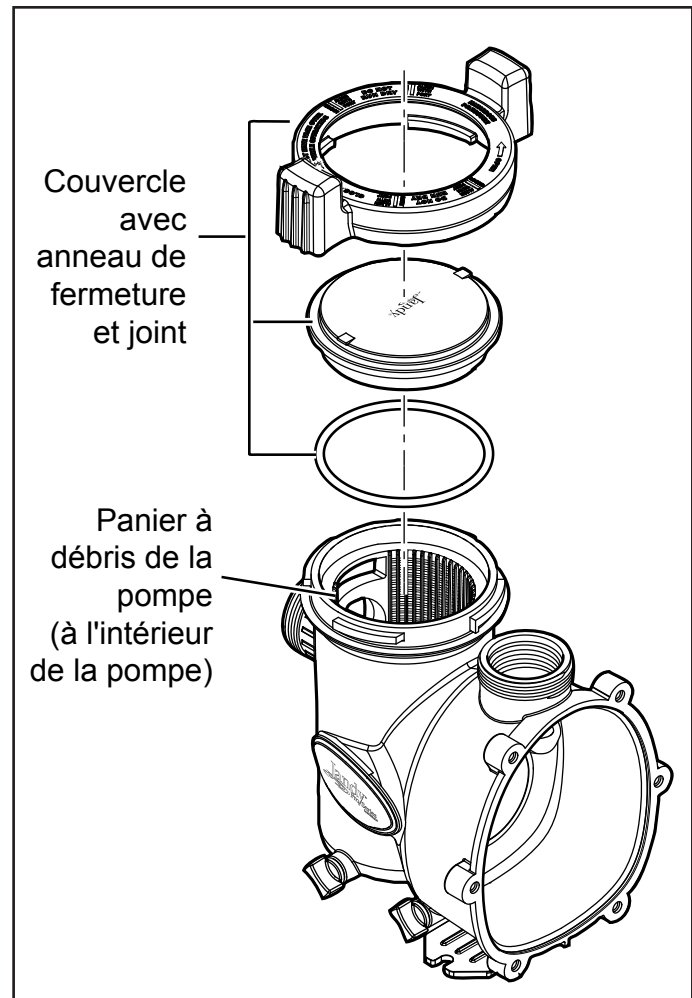


Figure 11. Joint torique dans l'ensemble couvercle

Figure 12. Vue éclatée de la pompe

**⚠ AVERTISSEMENT**

Le piégeage d'air dans le système peut provoquer une ouverture explosive du couvercle du filtre pouvant causer la mort, de graves blessures personnelles ou des dommages matériels. S'assurer que l'air est purgé de façon appropriée du système avant l'utilisation. **NE PAS UTILISER DE L'AIR COMPRIMÉ POUR FAIRE L'ESSAI DE PRESSION OU VÉRIFIER S'IL Y A DES FUITES.**

**⚠ AVERTISSEMENT**

Ne pas faire d'essai de pression au-delà de 2,4 bars (35 psi). L'essai de pression doit être fait par un professionnel qualifié en piscine. L'équipement de circulation qui n'a pas fait l'objet d'essais de façon appropriée pourra défaillir, ce qui pourrait entraîner des blessures graves ou des dommages matériels.

**⚠ AVERTISSEMENT**

Au moment de l'essai sous pression d'un système à l'eau, il est très important de s'assurer que le couvercle du panier-filtre de la pompe est complètement fixé.

1. Remplir le système d'eau en faisant attention de bien expulser l'air piégé.
2. Pressuriser le système d'eau à 2,4 bar (35 psi.) au maximum.
3. Fermer le robinet pour piéger l'eau sous pression dans le système.
4. Observer le système pour des fuites ou des chutes de pression.
5. Si le couvercle fuit, refaire cette procédure. Pour le soutien technique, composer le +1 (800) 822-7933. Au Canada, composer le 1-888-647-4004.

## Section 4. Fonctionnement

### 4.1 Démarrage

**ATTENTION**

Ne jamais faire fonctionner la pompe sans eau. Faire fonctionner la pompe « à sec », quelle que soit la durée, peut causer d'importants dommages à la pompe et au moteur et annuler la garantie.

S'il s'agit d'une nouvelle installation de piscine, s'assurer que toute la tuyauterie est dépourvue de débris de construction et que l'essai de pression a été effectué correctement. L'installation du filtre devrait être vérifiée, en s'assurant que toutes les connexions et les attaches sont sécurisées conformément aux recommandations du fabricant.

**⚠ AVERTISSEMENT**

Pour éviter tout risque de dommage matériel, de blessure grave ou de mort, vérifier que l'alimentation est hors tension avant de commencer cette procédure.

1. Libérer toute la pression du système et ouvrir le détendeur de pression du filtre.
2. Selon l'emplacement de la pompe, effectuer l'une des procédures suivantes :
  - Si la pompe est située au-dessous du niveau d'eau de la piscine, ouvrir le clapet de décharge du filtre pour amorcer la pompe avec de l'eau.
  - Si la pompe est située au-dessus du niveau de l'eau de la piscine, retirer le couvercle et remplir le panier avec de l'eau avant de démarrer la pompe.
3. Avant de replacer le couvercle, vérifier qu'il n'y a pas de débris autour du joint torique d'étanchéité du couvercle. Les débris autour du joint torique du couvercle causeront une fuite d'air dans le système, et l'amorçage de la pompe se fera difficilement.
4. **Serrer à la main** le couvercle pour une fermeture hermétique. Ne pas utiliser d'outils pour serrer le couvercle : **serrer à la main seulement**. S'assurer que tous les robinets sont ouverts et que les raccords-unions sont étanches.
5. Rétablir l'alimentation vers la pompe. Ensuite, démarrer la pompe en suivant les consignes dans le manuel approprié : le Manuel d'utilisation du régulateur à vitesse variable, H0311200, le Manuel du RS AquaLink®, 6593, le Manuel d'utilisation du PDA AquaLink, H0572300.
6. Une fois que tout l'air aura été purgé du filtre, fermer le clapet de décharge.
7. La pompe devrait s'amorcer. Le temps d'amorçage dépendra de l'élévation et de la longueur des tuyaux utilisés pour le tuyau d'alimentation par aspiration. Voir la Section 3.1.3.3, Recommandations pour l'installation, pour l'élévation et les dimensions de la canalisation appropriées.
8. Si la pompe ne s'amorce pas, bien que toutes les instructions aient été suivies, vérifier s'il n'y a pas une fuite d'aspiration. S'il n'y a pas de fuite, répéter les étapes 2 à 7.
9. Pour l'assistance technique, appeler le soutien technique de Zodiac au 800.822.7933. Au Canada, composer le 1-888-647-4004.

## Section 5. Service et entretien

### 5.1 Entretien de routine

Inspecter le panier de débris de la pompe en regardant à travers son couvercle transparent. Enlever tous les débris parce qu'au fur et à mesure de leur accumulation, ils commenceront à bloquer l'écoulement de l'eau à travers la pompe. Maintenir le panier propre pour améliorer le fonctionnement de la pompe.

1. Couper l'alimentation électrique de la pompe. Si la pompe est située en dessous du niveau de l'eau, fermer les clapets d'isolement des côtés aspiration et refoulement de la pompe afin d'empêcher le reflux de l'eau.
2. Tourner l'anneau de fermeture du couvercle selon le sens antihoraire jusqu'à ce que le repère « START » s'aligne sur les ports. Enlever soigneusement le couvercle. (Vous pouvez utiliser un outil comme levier.)

#### ATTENTION

Un panier-filtre mal aligné empêchera le bon placement du couvercle, permettant une fuite d'air qui pourrait endommager la pompe.

3. Soulever le panier-filtre hors de la pompe.
4. Retirer les débris et nettoyer soigneusement le panier-filtre, en s'assurant que tous les trous sont dégagés. À l'aide d'un tuyau d'arrosage de jardin, asperger le panier-filtre de l'extérieur pour aider au dégagement des trous. Retirer tout débris résiduel à la main.
5. Remettre le panier-filtre en place dans la pompe en alignant l'ouverture avec le tuyau d'aspiration. Si l'alignement est bien fait, le panier-filtre tombera facilement en place. **Ne pas forcer en place.**
6. Retirer le joint du couvercle et les débris autour du siège du joint du couvercle, car cela peut laisser infiltrer l'air dans le système. Nettoyer le couvercle d'étanchéité et le placer sur le couvercle.
7. Replacer le couvercle avec la bague de verrouillage. **Serrer le couvercle à la main** pour une fermeture hermétique. Ne pas utiliser d'outils pour serrer le couvercle : **serrer à la main seulement.**
8. Vérifier que tous les robinets ont été replacés à la position correcte pour l'utilisation normale.
9. Ouvrir le détendeur de pression sur le filtre et

s'assurer qu'il est propre et prêt à fonctionner.

10. Rétablir l'alimentation électrique de la pompe. Dès que tout l'air est expulsé du filtre, fermer le détendeur de pression.

### 5.2 Hivernage de la pompe

#### ATTENTION

La pompe doit être protégée lorsque des températures glaciales sont prévues. Laisser la pompe geler l'endommagera gravement et annulera la garantie.

#### ATTENTION

**Ne pas utiliser d'antigel dans les systèmes de piscine, de spa ou de jacuzzi!** Les antigels sont hautement toxiques et peuvent endommager le système de circulation. La seule exception est le propylène glycol. Pour de l'information supplémentaire, se référer à votre fournisseur local de piscine ou de spa ou communiquer avec une société agréée en services de piscine.

1. Drainer **toute** l'eau de la pompe, de l'équipement du système et de la tuyauterie.
2. Retirer les deux (2) bouchons de vidange. Garder les bouchons de vidange en lieu sûr et les réinstaller quand la saison froide est passée. **S'assurer que les joints toriques des bouchons de vidange ne sont pas mal alignés.**
3. Garder le moteur sec et couvert. Ne pas recouvrir la pompe avec du plastique, parce que cela peut entraîner de la condensation qui l'endommagera.

**REMARQUE** Zodiac Pool Systems, Inc. recommande qu'un technicien qualifié ou un électricien déconnecte de façon appropriée le câblage électrique de la boîte de commutation ou de jonction. Dès que l'alimentation est coupée, desserrer les deux (2) raccords-unions et ranger la pompe à l'intérieur. Pour des raisons de sécurité et pour empêcher la pénétration de contaminants, replacer tous les couvercles de boîtes de dérivation et de connexions.

4. Lorsque le système est rouvert pour le fonctionnement, un technicien qualifié ou un électricien doit s'assurer que toutes les canalisations, les robinets, le câblage et l'équipement sont conformes aux recommandations du fabricant. Faire particulièrement attention au filtre et aux connexions électriques.
5. La pompe doit être amorcée avant le démarrage. Se référer à la section 4.1, Démarrage.

## Section 6. Dépannage et réparation

Zodiac recommande fortement d'appeler un technicien de service agréé pour effectuer toute réparation sur le système de filtre et la pompe. Pour trouver un technicien qualifié, consulter les pages jaunes locales ou visiter le site Web [www.zodiacpoolsystems.ca](http://www.zodiacpoolsystems.ca) et cliquer sur « Concessionnaires ».

### 6.1 Dépannage

SYMPTÔME	Cause/Solution possible
Le système de circulation ou de nettoyage ne fonctionne pas bien.	<p>Vérifier que les écumoières, les paniers-filtres et autres tamis sont propres. Nettoyer au besoin.</p> <p>Vérifier le filtre et nettoyer au besoin.</p> <p>Vérifier les positions des robinets. Ajuster au besoin.</p> <p>REMARQUE De multiples pièces d'équipement fonctionnant en même temps (par exemple, les cascades, les courants de spa, et les retours de surface) affecteront le bon fonctionnement du système de nettoyage.</p> <p>Vérifier le manuel de nettoyage du système pour s'assurer que le système est réglé conformément aux recommandations du fabricant.</p>
Bulles présentes dans le panier de la pompe.	<p>Il y a de l'air dans le système. Vérifier le niveau d'eau de la piscine ou du spa pour s'assurer qu'il est au bon niveau et que l'air n'est pas tiré dans la canalisation d'aspiration. Si l'eau est à un niveau normal, couper la pompe. Tourner la bague de verrouillage dans le sens antihoraire jusqu'à ce que le mot « START » (mise en marche) soit aligné sur les ports. Enlever le couvercle et vérifier qu'il n'y a pas de débris autour du siège d'étanchéité du couvercle ou que l'installation de joint d'étanchéité du couvercle est adéquate car aucun de ces deux inconvénients causera des fuites d'air dans le système. Nettoyer le couvercle d'étanchéité et le remplacer sur le couvercle. Remplacer le couvercle du boîtier de la pompe. Aligner le repère « START » sur les ports et tourner l'anneau de fermeture selon le sens horaire jusqu'à ce que le repère « LOCKED » s'aligne sur les ports. <b>Serrer le couvercle à la main</b> pour une fermeture hermétique. <b>Ne pas utiliser d'outils pour serrer le couvercle.</b> Redémarrer la pompe.</p>
Les fuites d'air sont encore présentes.	<p>Vérifier le raccord-union du côté de la tuyauterie d'aspiration. Pendant que la pompe fonctionne, essayer de serrer le raccord-union. Si cela n'arrête pas la fuite d'air, couper l'alimentation de la pompe. Desserrer les deux raccords-unions et glisser la pompe hors du chemin. Retirer, nettoyer et reposer les deux joints toriques de raccord.</p> <p>Repositionner la pompe près de la tuyauterie et fixer solidement les boulons de raccord-union à la pompe. Avec des raccords-unions et des joints toriques propres, le serrage des raccords-unions devrait sceller le tout. Si les raccords-unions ne scellent pas, serrer doucement avec une grande paire de pinces multiprise.</p> <p><b>Ne serrer pas plus qu'il ne faut.</b></p>
Il n'y a pas d'air dans le système mais la pression est encore faible.	<p>Il est possible que des débris soient coincés dans la turbine de la pompe. La turbine de la pompe déplace l'eau et les pales de la turbine peuvent être bloquées par les débris. Voir la <i>Section 6.2, Technicien d'entretien et de maintenance, 6.2.1, Turbine bloquée</i>, dans le manuel pour de l'information supplémentaire.</p>
Il n'y a pas de débris bloquant la turbine et la pression est toujours faible.	<p>La turbine de la pompe et le diffuseur présentent des signes d'usure normale. Faire vérifier et remplacer au besoin la turbine et le diffuseur par un technicien d'entretien agréé.</p> <p>Si la pompe fait partie d'une installation relativement nouvelle, cela pourrait être un problème électrique. Communiquer avec un technicien d'entretien agréé. Faire vérifier par un technicien que des connexions électriques ne soient pas lâches et vérifier la tension du moteur de la pompe en fonctionnement. La tension doit être celle indiquée sur la plaque de données du moteur, à 10 % près. Si la tension n'est pas à 10 % près, communiquer avec un électricien agréé ou le fournisseur local en électricité.</p> <p>Le joint d'étanchéité de la pompe a une fuite d'air. Faire remplacer le joint d'étanchéité par un technicien d'entretien agréé.</p>

SYMPTÔME	Cause/Solution possible
La pompe a une fuite d'eau entre le moteur et le corps de la pompe.	Elle est causée par un joint mécanique endommagé ou défaillant. Remplacer le joint. Voir la <i>Section 6.2, Maintenance du technicien de service, 6.2.3, Remplacement du joint mécanique</i> , dans ce manuel.
La pompe s'échauffe et coupe périodiquement.	S'assurer qu'il y a suffisamment de place autour du moteur pour faire circuler l'air et garder le moteur froid. Faire vérifier par un technicien agréé que des connexions ne soient pas lâches et vérifier la tension du moteur de la pompe en fonctionnement. La tension doit être celle indiquée sur la plaque de données du moteur, à 10 % près. Si la tension n'est pas à 10 % près, communiquer avec un électricien agréé ou le fournisseur local en électricité.
La pompe ne démarrera pas.	<p>Aucun courant à la pompe.</p> <p>S'assurer que la pompe est correctement reliée à la tension. La DEL sur la clôture de l'électronique devrait être illuminée. Voir la <i>Section 3.2, Installation électrique</i>, dans ce manuel.</p> <p>Câblage de base tension erroné.</p> <p>Vérifier le câblage de basse tension entre la pompe et le régulateur. Effectuer les corrections si nécessaire. Voir la <i>Section 3.2, Installation électrique</i>, dans ce manuel.</p> <p>La configuration d'adresse de la pompe est inexacte.</p> <p>S'assurer que les commutateurs DIP 3 et 4 de la pompe sont réglés de façon appropriée pour l'installation. Les deux devraient être hors tension pour utilisation avec un régulateur à vitesse variable ou réglés à l'adresse appropriée lorsqu'ils sont raccordés à un régulateur RS AquaLink® ou à un PDA AquaLink. Voir la <i>Section 3.3, Réglages des commutateurs DIP de la pompe VS-FHP</i> dans ce manuel.</p> <p>La condition de panne existe.</p> <p>garder le message de défaut sur le régulateur et corriger le défaut avant de continuer. Au moment d'incertitudes par rapport à la procédure de correction de la panne, prière de communiquer avec le soutien technique en composant le +1 (800) 822-7933. Au Canada, composer le 1-888-647-4004</p>
L'ECL du régulateur à vitesse variable n'affiche aucune information <b>ou</b> les DEL de la pompe ne sont pas éclairés.	<p>Configuration incorrecte du commutateur DIP.</p> <p>Si le régulateur est le JEP-R, s'assurer que les commutateurs DIP 1 et 2 de la pompe sont à la position ON (marche); si le régulateur est un PDA ou un AquaLink RS, s'assurer que les deux commutateurs sont à la position OFF (arrêt). Voir la <i>Section 3.3, Réglages des commutateurs DIP de la pompe VS-FHP</i> dans ce manuel.</p> <p>Câblage de base tension erroné.</p> <p>Vérifier le câblage de basse tension entre la pompe et le régulateur. Effectuer les corrections si nécessaire. Voir la <i>Section 3.2, Installation électrique</i>, dans ce manuel.</p>
Le régulateur affiche « La pompe n'est pas branchée ».	<p>Câblage de base tension erroné.</p> <p>Vérifier le câblage de basse tension entre la pompe et le régulateur. Effectuer les corrections si nécessaire. Voir la <i>Section 3.2, Installation électrique</i>, dans ce manuel.</p> <p>La configuration d'adresse de la pompe est inexacte.</p> <p>S'assurer que les commutateurs DIP 3 et 4 de la pompe sont réglés de façon appropriée pour l'installation. Les deux devraient être hors tension pour utilisation avec un régulateur à vitesse variable ou réglés sur l'adresse appropriée lorsqu'ils sont raccordés à un régulateur RS AquaLink ou à un PDA AquaLink. Voir la <i>Section 3.3, Réglages des commutateurs DIP de la pompe VS-FHP</i> dans ce manuel.</p>
Le message de défaut apparaît sur l'affichage du régulateur.	<p>La condition de panne existe.</p> <p>Regarder le message de défaut sur le régulateur et corriger le défaut avant de continuer. Au moment d'incertitudes par rapport à la procédure de correction de la panne, prière de communiquer avec le soutien technique en composant le +1 (800) 822-7933. Au Canada, composer le 1-888-647-4004</p>

## 6.2 Entretien par un technicien de service

### ⚠ AVERTISSEMENT

Cette pompe doit être réparée par un technicien professionnel qualifié dans l'installation de piscine/spa. Les procédures suivantes doivent être scrupuleusement suivies. Une installation ou utilisation incorrecte peut causer de dangereux risques électriques pouvant provoquer le passage de courants de haute tension dans le système électrique. Cela peut causer des dommages matériels, des blessures graves ou la mort. Une installation ou une utilisation incorrecte annulera la garantie.

### 6.2.1 Turbine bloquée

### ⚠ AVERTISSEMENT

Avant de réaliser l'entretien de la pompe, couper les disjoncteurs au niveau de l'alimentation. Une blessure grave ou la mort peut survenir si la pompe démarre pendant que les mains se trouvent à l'intérieur.

1. Couper la pompe. Fermer le disjoncteur du moteur de la pompe.
2. Retirer le couvercle et le panier-filtre.
3. Regarder à l'intérieur de la pompe pour la présence de débris. Enlever tous les débris trouvés à l'intérieur.
4. Replacer le panier-filtre et le couvercle.
5. Ouvrir le disjoncteur du moteur de la pompe.
6. Démarrer la pompe et observer si le problème est résolu.
7. Si la turbine est encore bloquée par les débris et qu'il ne soit pas possible de les enlever en procédant de l'étape 2 à l'étape 4, la pompe devra être démontée pour accéder aux orifices d'entrée et de sortie de la turbine.

### 6.2.2 Retrait et remplacement de la turbine

### ⚠ AVERTISSEMENT

Avant de réaliser l'entretien de la pompe, couper les disjoncteurs au niveau de l'alimentation. Une blessure grave ou la mort peut survenir si la pompe démarre pendant que les mains se trouvent à l'intérieur.

1. Couper la pompe. Fermer le disjoncteur du moteur de la pompe. Si le moteur n'est pas remplacé, ne pas déconnecter le câblage électrique.

**REMARQUE** S'il s'agit d'un remplacement du moteur, Zodiac Pool Systems, Inc. recommande fortement qu'un technicien de service ou un électricien agréé déconnecte correctement le câblage électrique du moteur de la pompe.

2. Fermer tous les robinets pour empêcher l'eau de piscine d'atteindre la pompe. Drainer l'eau de la pompe en desserrant les raccords-unions ou en retirant les bouchons de vidange.
3. À l'aide d'une clé de 14 mm (9/16 po), desserrer les boulons connectant le corps de la pompe à la plaque arrière du moteur. Voir la Figure 13.

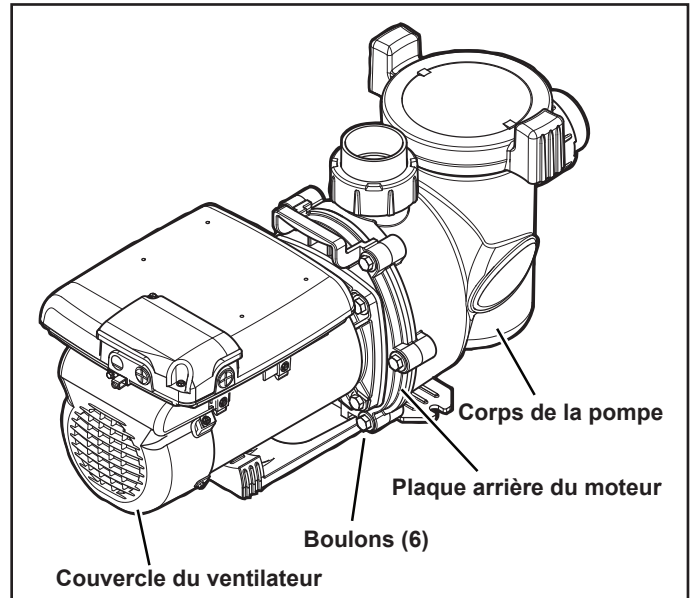


Figure 13. Retirer le corps de la pompe

4. Tirer le moteur et la plaque arrière hors du corps de la pompe. Retirer le joint torique du corps de la pompe. La turbine est connectée à l'axe du moteur.
5. À l'aide d'un tournevis à pointe cruciforme N° 1, ôter les deux (2) vis supportant le diffuseur. (Le diffuseur est le couvercle sur la turbine.) Ensuite, retirer le diffuseur (voir la Figure 14).
6. Accéder à l'admission et à la sortie de la turbine et enlever les débris.

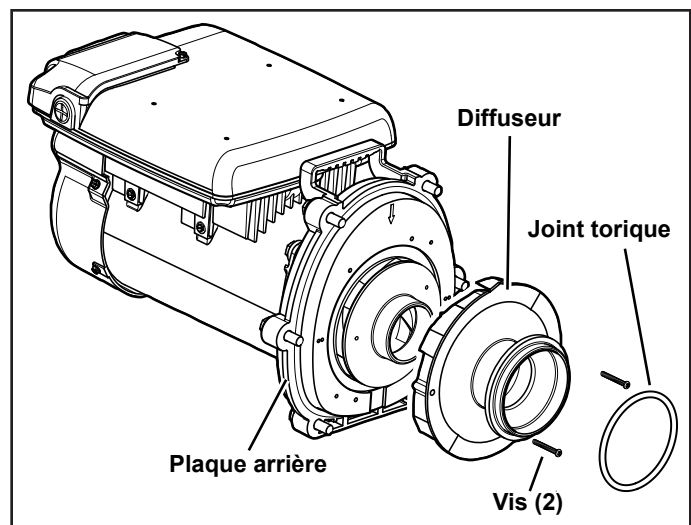


Figure 14. Enlever le diffuseur

7. Tenir l'axe visible du moteur à l'aide d'une ¼" clé à tête hexagonale, puis retirer la vis centrale de la turbine à l'aide d'un tournevis à tête cruciforme no 2. Tourner la vis filetée à gauche selon le sens horaire pour desserrer. Voir la Figure 15.
8. Tenir l'axe du moteur à l'aide ¼" d'une clé hexagonale tout en dévissant à la main la turbine de l'axe du moteur. Tourner la turbine selon le sens antihoraire pour desserrer.
9. Inspecter la turbine et le diffuseur pour des signes de frottements ou de dommages.

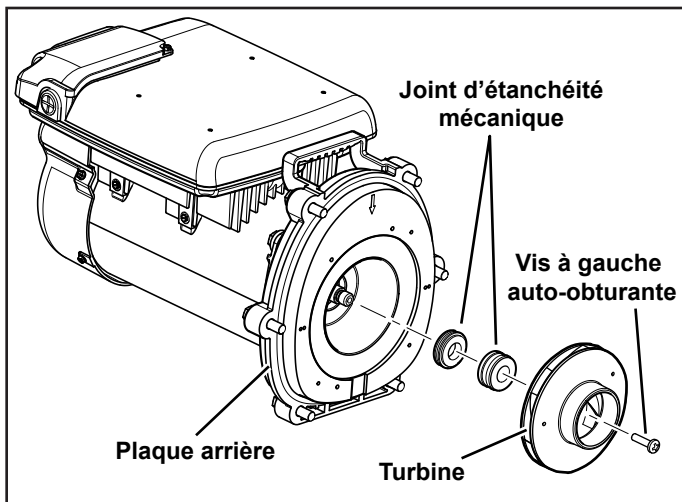


Figure 15. Enlever la turbine

#### 6.2.2.1 Remontage de la turbine

1. Appuyer sur la moitié du nouveau joint face en carbone (voir les figures 16 et 17) sur l'arbre du moteur dans un mouvement de torsion. S'assurer que la surface de carbone est exposée face à l'anneau en céramique dans la plaque arrière.

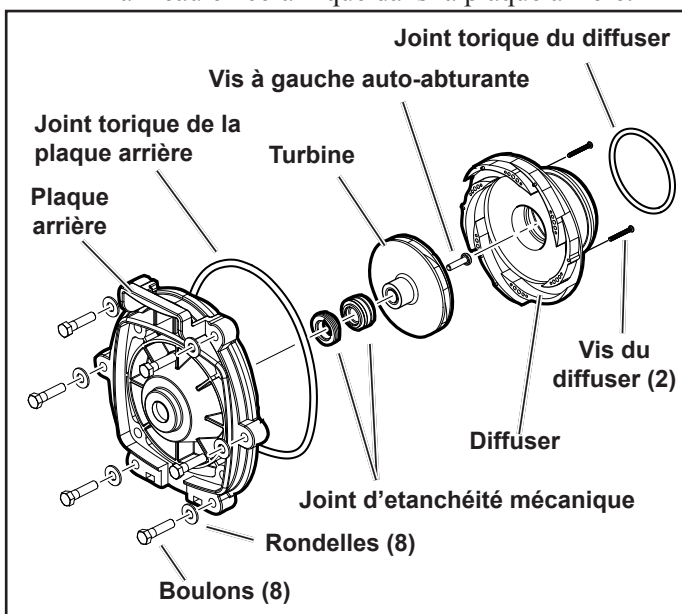


Figure 16. Vue éclatée du diffuseur et de la turbine

## ATTENTION

**Très important!** Pour éviter les dommages au joint, tenir la base inférieure du joint (opposée à la face en carbone) en l'installant.

**REMARQUE** Pour faciliter le montage, utiliser **seulement** de l'eau ou de l'eau savonneuse comme lubrifiant. Tout autre lubrifiant détruira le joint après un certain temps.

**REMARQUE** S'assurer de garder le joint et les pièces d'accouplement propres.

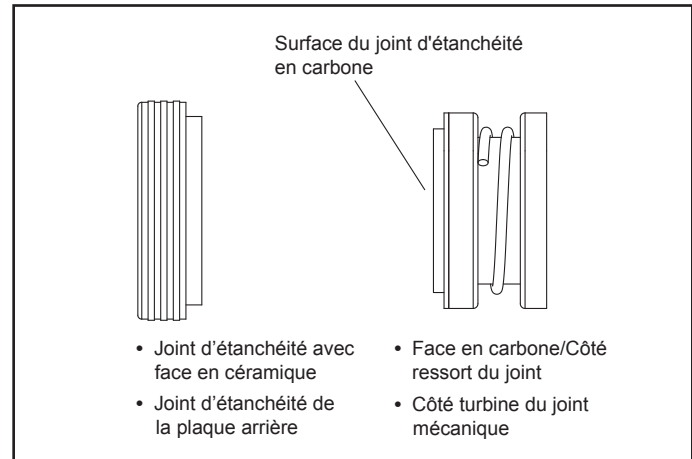


Figure 17. Joint d'étanchéité mécanique

2. Tout en tenant l'arbre du moteur avec une clé hexagonale Allen ¼, fileter la turbine sur l'arbre du moteur. Serrer la turbine à la main jusqu'à ce qu'elle soit solidement fixée. **Ne pas trop serrer.**
3. Insérer, puis tourner la turbine filetée gauche dans le sens antihoraire pour la serrer.
4. Remettre le couvercle du ventilateur en reposant les vis.
5. Remettre le diffuseur sur la turbine, en prenant soin d'insérer les broches d'alignement dans les trous appropriés. La flèche rapportée au moulage doit pointer vers la poignée de la plaque arrière.
6. Remettre les deux (2) petites vis à tête cruciforme. Serrer les vis pour appuyer le diffuseur contre la plaque arrière du moteur.
7. Pour aider à prévenir les fuites d'air dans le circuit, s'assurer que le joint torique du diffuseur, la rainure du joint torique et le joint torique sont propres et exempts de débris. Si on a enlevé le diffuseur du joint torique, s'assurer de l'installer sur la gorge d'où il a été enlevé. (Voir la Figure 18.) Si de la graisse est utilisée pour retenir le joint torique, elle doit être à base de silicone. **Ne pas employer de graisse à base de pétrole.** Cela détruira le joint torique.



8. Faire glisser le diffuseur dans le trou d'accouplement, dans le corps de pompe. Tout en soutenant le moteur, fixer deux (2) vis de part et d'autre. (Cela tiendra le moteur en position pendant que vous démarrez les six autres (6) vis.)

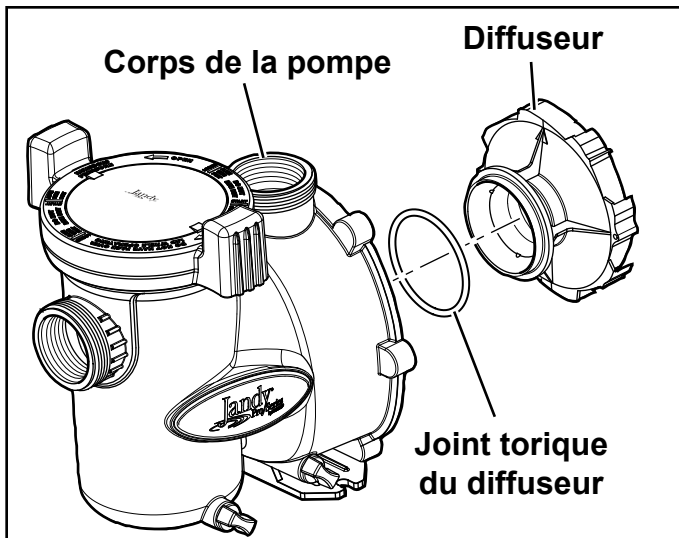


Figure 18. Vue éclatée du corps de la pompe et du diffuseur

9. Serrer les vis légèrement dans un mouvement « X » en utilisant une clé à molette de 14,28 mm (9/16 po). Commencez par les quatre (4) intérieures (au centre), puis les quatre (4) extérieures (haut et bas) pour tirer la plaque arrière sur le corps d'une manière uniforme. Dès que toutes les vis sont ajustées, serrer selon le même ordre avec un couple de 10 pi-lb.
10. Si la pompe est située au-dessus du niveau de l'eau de la piscine, retirer le couvercle et remplir le panier avec de l'eau avant de démarrer la pompe.
11. Pour aider à prévenir les fuites d'air dans le circuit, enlever les débris autour du siège du joint du couvercle.
12. **Serrer à la main** le couvercle pour assurer l'étanchéité du joint. **Ne pas utiliser d'outils pour serrer le couvercle.**
13. Ouvrir le clapet de décharge sur le filtre et s'assurer qu'il est propre et prêt à fonctionner.
14. Armer le disjoncteur vers le moteur de pompe.
15. Démarrer la pompe et vérifier que le circuit fonctionne normalement.
16. Une fois que tout l'air aura été purgé du filtre, fermer le clapet de décharge.

### 6.2.3 Remplacement du joint d'étanchéité mécanique

**REMARQUE** C'est un processus de remplacement en deux étapes. **Le joint d'étanchéité mécanique au complet doit être remplacé.**

**REMARQUE** Consulter la Figure 19 pour une illustration de l'emplacement du joint d'étanchéité mécanique et de la turbine.

## ATTENTION

Ne pas endommager les surfaces en céramique ou en carbone des joints d'étanchéité. Si les surfaces sont endommagées, des fuites se produiront.

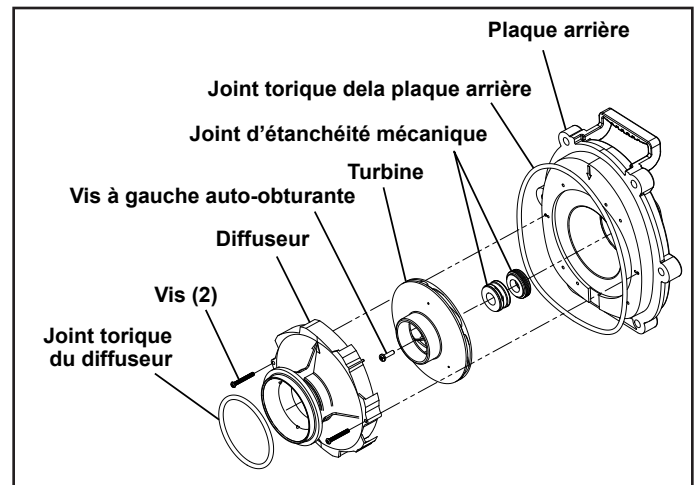


Figure 19. Vue éclatée de la plaque arrière, de la turbine, du diffuseur, du joint mécanique

1. Pour avoir accès au joint mécanique, voir la Section 6.2.2, Retrait et remplacement de la turbine.
2. Retirer la moitié du joint face en carbone de l'arbre du moteur (voir la Figure 15). Il s'agit d'un joint à ressort. Saisir la partie du joint le plus près du corps de la turbine et tirer sur le joint, dans un mouvement de torsion.
3. Retirer le moteur de la plaque arrière en suivant les étapes de la Section 6.2.4, Remplacement du moteur.
4. Placer le joint torique de la plaque arrière avec la face vers le sol et retirer avec force le joint d'étanchéité en céramique à l'aide d'un tournevis ou d'un chasse-cône.
5. Tourner le joint torique de la plaque arrière vers le haut et insérer le nouveau joint d'étanchéité en céramique dans la plaque. Aligner soigneusement le joint en l'enfonçant avec les doigts. La céramique s'endommage facilement et doit donc être enfoncée uniquement avec les doigts ou des outils mous. Ne pas utiliser de lubrifiant autre que l'eau ou de l'eau savonneuse.

6. Installer la plaque arrière en suivant les étapes pertinentes décrites à la Section 6.2.2.1, Remontage de la turbine.
7. Installer le moteur en suivant les étapes décrites à la Section 6.2.4, Remplacement du moteur.

#### 6.2.4 Remplacement du moteur

### IMPORTANT

Cette pompe doit être installée avec un régulateur à deux vitesses, à vitesse multiple ou à vitesse variable.

### ⚠ AVERTISSEMENT

Pour assurer une sécurité permanente et un fonctionnement fiable, les Zodiac® requièrent le remplacement du moteur par un autre de puissance (HP) et de facteur de service identiques (Zodiac Pool Systems, Inc.).

1. Faire convenablement déconnecter votre câblage électrique au moteur de la pompe par un technicien de service ou un électricien agréé.

### ⚠ AVERTISSEMENT

#### DANGER DE CHOC ÉLECTRIQUE

Mettre hors tension tous les interrupteurs et le disjoncteur principal dans le circuit électrique de la pompe VS-FHP avant de commencer la procédure. Attendre cinq (5) minutes après que le courant est coupé avant d'ouvrir le moteur. L'omission d'être conforme peut provoquer un risque de choc, qui peut entraîner des blessures corporelles, voire la mort.

2. Pour détacher le boîtier de la pompe du moteur, voir la Section 6.2.2, Retrait et remplacement de la turbine.
3. Remarquer l'alignement de la plaque arrière du moteur, tel qu'il est illustré à la Figure 20. Placer le joint torique de l'assemblage de la plaque arrière du moteur avec la face vers le sol, desserrer les quatre vis 14 mm (9/16 po) et retirer le moteur.
4. S'il s'agit de l'installation d'un nouveau moteur, enlever le capuchon protecteur en plastique de l'axe du moteur. Placer le moteur sur la plaque arrière afin que l'ouverture du moteur soit face à la base de la plaque arrière. Le régulateur électronique du moteur devrait être à la position de 12 heures.
5. Remettre les quatre (4) boulons et rondelles retenant la plaque arrière du moteur et serrer au couple à 15 pieds-livres. Voir figure 20.
6. Pour remonter l'ensemble plaque arrière sur le boîtier, voir la Section 6.2.2.1, Remontage de la turbine.

7. Si la pompe est située au-dessus du niveau de l'eau de la piscine, retirer le couvercle et remplir le panier avec de l'eau avant de démarrer la pompe
8. Pour aider à prévenir une fuite d'air dans le système, enlever tous les débris autour du siège du joint du couvercle.
9. **Serrer à la main** le couvercle pour qu'il y ait étanchéité. *Ne pas utiliser d'outils pour serrer le couvercle.*
10. Ouvrir le clapet de décharge sur le filtre et s'assurer qu'elle est propre et prêt à fonctionner.
11. Demander à un technicien ou à un électricien qualifié de raccorder de façon appropriée les fils électriques au moteur de la pompe.
12. Ouvrir l'alimentation du moteur de la pompe à l'aide du régulateur et vérifier que le système fonctionne normalement.

**REMARQUE** Pour obtenir de l'information sur le fonctionnement du régulateur, se référer au manuel du régulateur : le Manuel d'utilisation du régulateur à vitesse variable, H0311200, le Manuel d'utilisation du RS AquaLink®, 6593, ou le Manuel d'utilisation du PDA AquaLink, H0572300.

13. Une fois que tout l'air aura été purgé du filtre, fermer le clapet de décharge.

**REMARQUE** Zodiac Pool Systems, Inc. recommande que les joints mécaniques soient remplacés en même temps que le moteur remplacé. Voir la Section 6.2.3, Remplacement mécanique du joint mécanique, pour plus de détails.

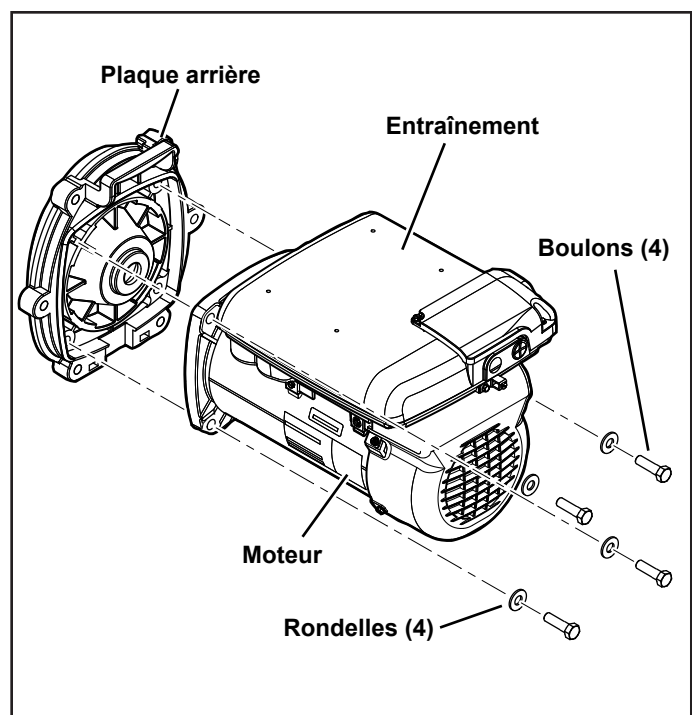


Figure 20. Montage de la plaque arrière

## Section 7. Caractéristiques du produit et données techniques

### 7.1 Liste et vue éclatée des pièces de rechange

Pour commander ou acheter des pièces pour les pompes Zodiac®, veuillez communiquer avec votre concessionnaire Zodiac le plus près. Si le concessionnaire Zodiac ne peut pas vous fournir ce dont vous avez besoin, prière de communiquer avec le service technique Zodiac au +1 (800) 822-7933 ou envoyer un courriel à [productsupport@zodiac.com](mailto:productsupport@zodiac.com). Au Canada, 1-888-647-4004 [customerservicePSC@zodiac.com](mailto:customerservicePSC@zodiac.com)

Clé No.	DESCRIPTION	Numéro de la pièce commandée
1	Moteur GEN II, vitesse variable avec entraînement	R0562200
2	Plaque arrière, (plaque arrière avec quincaillerie, joint torique et joint mécanique de la plaque arrière)	R0479500
3	Turbine, (turbine, vis avec joint torique et joint mécanique de la plaque arrière)	R0479605
4	Diffuseur, (diffuseur avec joint torique, quincaillerie et joint torique de la plaque arrière)	R0479701
5	Joint mécanique, carbone et céramique (1 jeu)	R0479400
6	Corps de la pompe, (corps et joint torique de la plaque arrière)	R0479800
7	Pied de fixation du moteur	R0479900
8	Couvercle avec bague de verrouillage, (couvercle avec bague de verrouillage et joint torique)	R0480000
9	Panier de filtre de débris de la pompe	R0480100
10	Bouchon de vidange avec joint torique (jeu de 2)	R0446000
11	About, joint torique et écrou union (jeu de 2)	R0327301
12	Joint torique du couvercle	R0480200
13	Joint torique de la plaque arrière	R0480300
14	Joint torique de l'about (jeu de 2)	R0337601
15	Quincaillerie du diffuseur/de la turbine (joint torique du diffuseur, vis (2), vis avec joint auto-obturant)	R0480400
16	Quincaillerie de la plaque arrière (quincaillerie de la plaque arrière et joint torique de la plaque arrière)	R0480500
17	Ensemble de matériel pour le moteur	R0446700
18	Ensemble pour base de la pompe	R0486700
19	Couvercle du ventilateur, ensemble de remplacement de la Gen II (quincaillerie, couvercle)	R0562400
20	Quincaillerie d'entraînement, Gen II	R0562500
21	Connecteur, entraînement, pompe VS-FHP (connecteur à 4 broches)	R0660900
22	Câble, RS485, ensemble de remplacement	R0535100
23	Vis avec joint torique	R0515400
24	Couvercle, large, entraînement avec joint statique, Gen II	R0562300
25	Entretoise, FHP, VS-FHP, Kit de remplacement de base	R0546400
26	Câble de données, au moyen de l'alimentation	R0501100

## 7.2 Schéma éclaté général

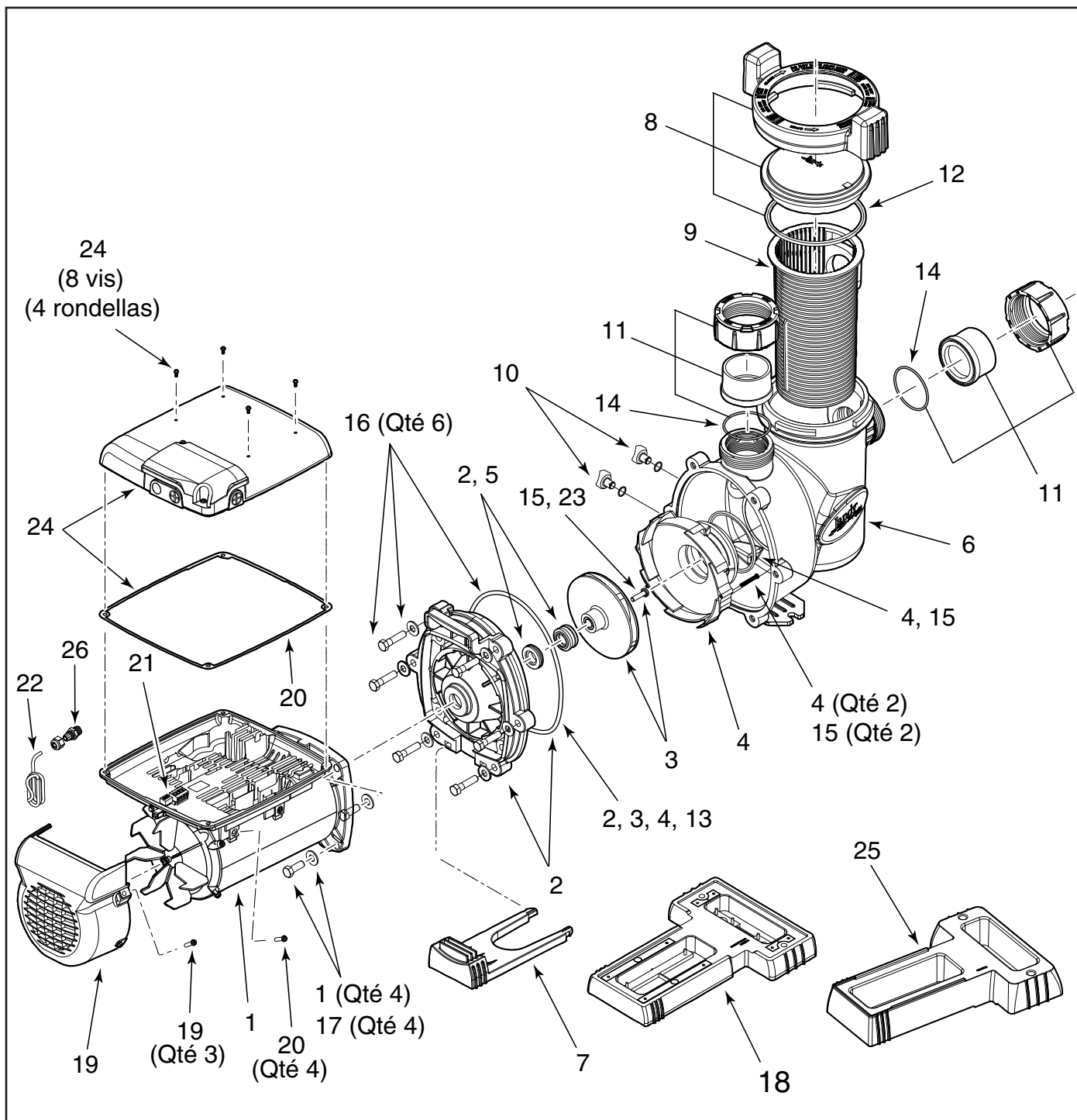
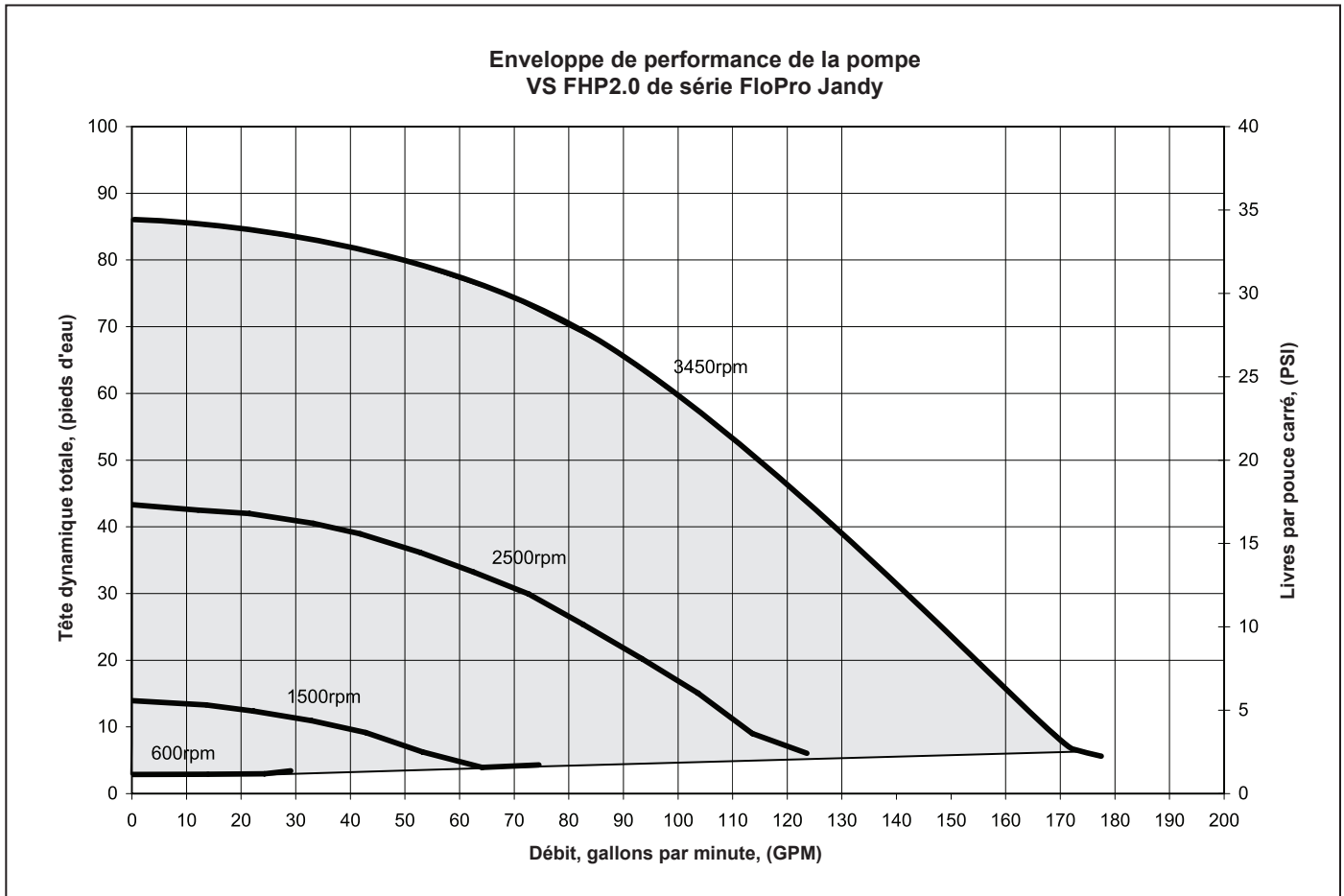


Figure 21. Vue éclatée de la pompe VS-FHP

### 7.3 Courbes de performance



## 7.4 Caractéristiques physiques et fonctionnelles

### 7.4.1 Spécifications

Numéro de modèle	HP	TENSION	Watts	Dimensions de la canalisation	Poids du carton	Longueur globale 'A'
VS-FHP 2.0	2.0	230 VCA	2400 W	2 ½ à 3 po (6.3 à 7.6 cm)	56 lb	69 cm (27 3/16 po)

### 7.4.2 Dimensions

Le tableau 4 illustre la hauteur de la pompe FHP dans les trois (3) configurations énumérées ci-dessous. Les figures 3, 4 et 7, à la page 38, illustrent les schémas de ces trois (3) configurations.

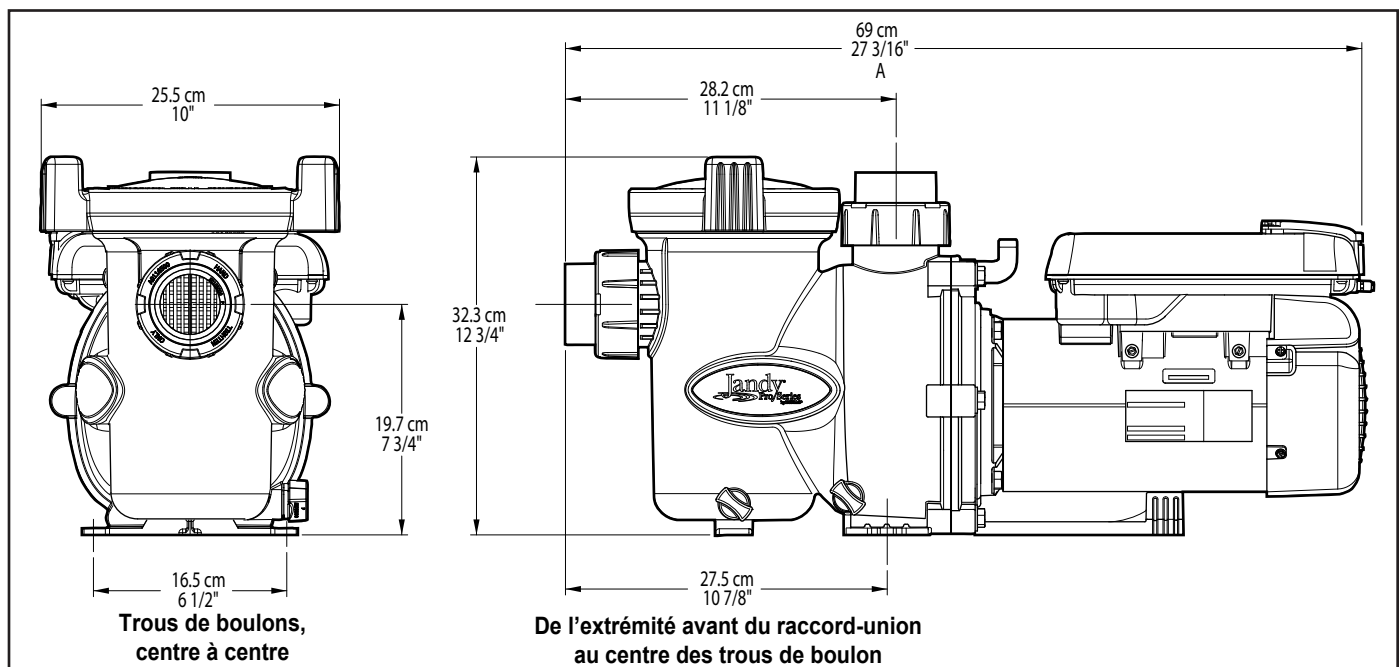
- 1) Sans la base de la FHP
- 2) Avec la base de la FHP
- 3) Avec la base et les entretoises de la FHP.

La largeur de la base de la FHP (avec ou sans entretoises) est de 22.5 cm (8 7/8 po).

**Tableau 2. Dimensions de la configuration FHP**

Configuration de la base	Hauteur du côté d'aspiration	Hauteur de la pompe
Pompe sans base	19,7 cm (7 ¾ po)	32,4 cm (12¾ po)
Pompe avec base	22,5 cm (8 7/8 po)	35,2 cm (13 7/8 po)
Pompe avec base et les entretoises	23,2 cm (9 1/8 po)	35,9 cm (14 1/8 po)

La figure suivante illustre les dimensions (hauteur, largeur et longueur) de la pompe FHP sans la base et les entretoises de la FHP.



**REMARQUE** Au moment de l'installation d'une pompe, laisser un minimum de deux (2) pieds (30 cm) de dégagement au-dessus de la pompe pour le retrait du panier-filtre.

## 7.5 Guide de remplacement du moteur

Modèle de pompe	Jandy
VS-FHP 2.0	R0562200

## **REMARQUES**



**Intertek**

EST CONFORME À LA NORME UL 1081  
AGRÉÉ AU CSA C22.2 NO 108

Zodiac Pool Systems Canada, Inc.  
2115 South Service Road West, Unit 3 Oakville (ON) L6L 5W2  
+1(888) 647-4004 | [www.ZodiacPoolSystems.ca](http://www.ZodiacPoolSystems.ca)

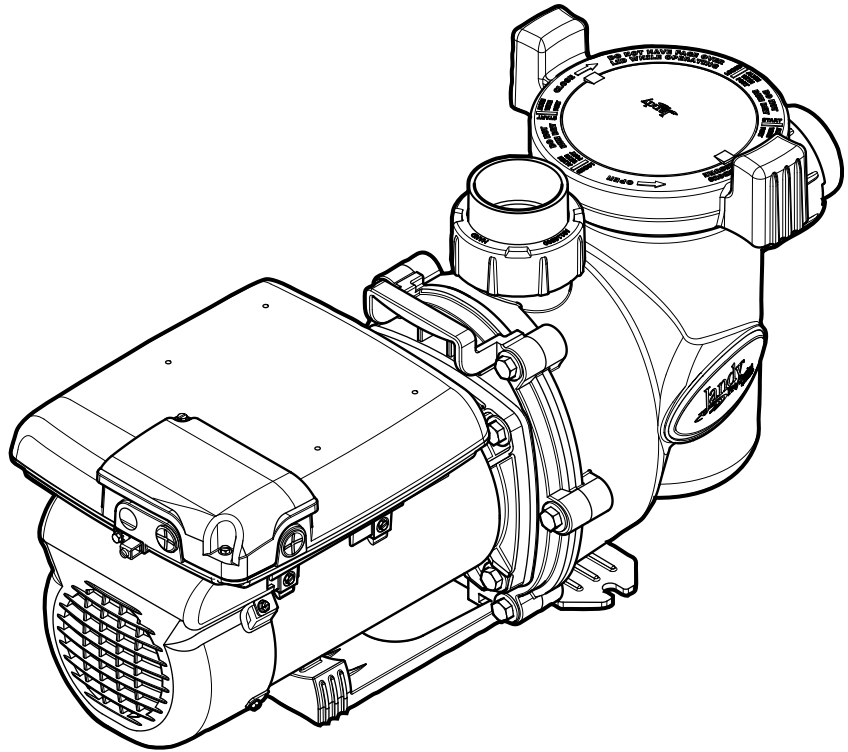
Zodiac Pool Systems, Inc.  
2620 Commerce Way, Vista, CA 92081  
1.800.822.7933 | [www.ZodiacPoolSystems.com](http://www.ZodiacPoolSystems.com)

ZODIAC® est une marque déposée de Zodiac International, SASU, utilisée sous licence. Toutes les autres marques citées sont la propriété respective de leur propriétaire.

©2012 Zodiac Pool Systems, Inc. H0340900 Rev C 1206







## Serie Jandy® Pro VS FloPro™ Bomba de velocidad variable de Serie VS-FHP

### ⚠ ADVERTENCIA

**PARA SU SEGURIDAD** – Este producto debe ser instalado y mantenido por un contratista con licencia y calificaciones para equipos para piscinas otorgadas por la jurisdicción donde se instalará el producto en caso de que existan tales requisitos estatales o locales. La persona que realiza la instalación o el mantenimiento debe ser un profesional con experiencia suficiente en la instalación y el mantenimiento de equipos para piscinas de tal manera que pueda seguir correctamente todas las instrucciones de este manual. Antes de instalar este producto, lea y siga todas las instrucciones y preste atención a las advertencias en el manual adjunto. No prestar la debida atención a las advertencias e instrucciones puede ocasionar daños a la propiedad, lesiones personales e incluso la muerte. La instalación y la operación incorrectas será causa de anulación de la garantía.



La instalación y la operación incorrectas pueden crear un riesgo eléctrico imprevisto que puede ocasionar lesiones graves, daños a la propiedad e incluso la muerte.

**ATENCIÓN INSTALADOR** – Este manual contiene información importante acerca de la instalación, funcionamiento y utilización seguros de este producto. Esta información debe ser entregada al dueño u operador de este equipo.



## Tabla de Índice

<p><b>Sección 1. Importantes Instrucciones De Seguridad ..... 60</b></p> <p>1.1 Instrucciones de seguridad ..... 60</p> <p>1.2 Indicaciones para evitar el atrapamiento por la bomba de succión de la piscina. .... 62</p> <p><b>Sección 2. Descripción general ..... 63</b></p> <p>2.1 Introducción ..... 63</p> <p>2.2 Descripción ..... 63</p> <p><b>Sección 3. Información de instalación ..... 64</b></p> <p>3.1 Hidráulica ..... 64</p> <p>3.2 Instalación eléctrica ..... 67</p> <p>3.3 Ajustes de los interruptores de DIP de configuración de la bomba VS-FHP ..... 69</p> <p>3.4 Quite la tapa de la bomba ..... 70</p> <p>3.5 Lleve a cabo pruebas de presión ..... 70</p> <p><b>Sección 4. Operación ..... 71</b></p> <p>4.1 Puesta en marcha ..... 71</p> <p><b>Sección 5. Servicio y mantenimiento ..... 71</b></p> <p>5.1 Mantenimiento de rutina ..... 71</p> <p>5.2 Preparación para el invierno ..... 72</p>	<p><b>Sección 6. Localización de averías y reparación ..... 73</b></p> <p>6.1 Diagnóstico y solución de problemas ..... 73</p> <p>6.2 Servicio técnico de mantenimiento ..... 75</p> <p><b>Sección 7. Especificaciones del producto y datos técnicos ..... 79</b></p> <p>7.1 Lista de piezas de repuesto y plano de despiece ..... 79</p> <p>7.2 Plano de despiece ..... 80</p> <p>7.3 Curvas de rendimiento ..... 81</p> <p>7.4 Especificaciones físicas y operacionales ..... 82</p> <p>7.5 Guía de reemplazo del motor ..... 82</p>
--------------------------------------------------------------------------------------------------------------------------------------------------------------------------------------------------------------------------------------------------------------------------------------------------------------------------------------------------------------------------------------------------------------------------------------------------------------------------------------------------------------------------------------------------------------------------------------------------------------------------------------------------------------------------------------------------------------------------------------------------------------------------------------------------------------------------------------------------------------------------------------------------------------------------------	----------------------------------------------------------------------------------------------------------------------------------------------------------------------------------------------------------------------------------------------------------------------------------------------------------------------------------------------------------------------------------------------------------------------------------------------------------------------------------------------------------------------------------------

<b>REGISTRO DE INFORMACIÓN DEL EQUIPO</b>	
<b>FECHA DE INSTALACIÓN</b>	_____
<b>INFORMACIÓN DEL INSTALADOR</b>	_____
<b>LECTURA INICIAL DEL MEDIDOR DE PRESIÓN (CON EL FILTRO LIMPIO)</b>	_____
<b>MODELO DE BOMBA</b>	_____
<b>CABALLOS DE FUERZA</b>	_____
<b>NOTAS:</b>	_____
	_____
	_____

## Sección 1. Importantes Instrucciones De Seguridad

# LEA Y SIGA ESTAS INSTRUCCIONES

### 1.1 Instrucciones de seguridad

Todo el trabajo de electricidad deberá realizarlo un electricista certificado de conformidad con todos los códigos nacionales, estatales y regionales. Cuando se instale y utilice este equipo eléctrico, siempre se deberán seguir las siguientes precauciones básicas de seguridad:

#### **ADVERTENCIA**

**RIESGO DE PELIGRO DE ATRAPAMIENTO POR SUCCIÓN, QUE, SI NO SE EVITA, PUEDE RESULTAR EN LESIONES GRAVES O LA MUERTE.** No bloquee la succión de la bomba, ya que esto puede causar lesiones graves o la muerte. No use esta bomba en piscinas para niños, piscinas de poca profundidad, o spas con drenajes en el fondo, a menos que la bomba esté conectada a por lo menos dos (2) puntos de succión funcionales. Las tapas de desagüe deben estar certificadas a la última edición publicada de la norma ANSI / ASME A112.19.8.

#### **ADVERTENCIA**

Para reducir el riesgo de lesión, no permita que los niños usen este artefacto.

#### **ADVERTENCIA**

Para reducir el riesgo de daños materiales o lesiones, no intente cambiar la posición de la válvula de retro lavado (multipuerto, deslizamiento o flujo completo) con la bomba en funcionamiento.

#### **ADVERTENCIA**

Las bombas Zodiac® son accionadas por un motor eléctrico de alta tensión y deben ser instaladas por un electricista con licencia (o certificado) o por un técnico calificado de servicio de piscinas.

#### **ADVERTENCIA**

Debido al riesgo potencial de incendio, choque eléctrico o lesiones a las personas, las bombas Zodiac se deben instalar de acuerdo con el Código Eléctrico Nacional (NEC), todos los códigos locales eléctricos y de seguridad, y la Ley de Seguridad y Salud Ocupacional (OSHA). Pueden solicitarse copias del código NEC a la National Fire Protection Association, 470 Atlantic Ave., Boston, MA 02210, o en su agencia gubernamental de inspección.

#### **ADVERTENCIA**

**RIESGO DE DESCARGA ELÉCTRICA, DE INCENDIO, LESIONES PERSONALES O DE MUERTE.** Conectar solamente a una rama del circuito que esté protegida por un interruptor de circuito por falla a tierra (GFCI). Contacte a un electricista autorizado si usted no puede asegurarse de que el circuito esté protegido por un GFCI. Asegúrese de que el instalador proporcione un GFCI y que sea probado de manera rutinaria. Para probar el GFCI, presione el botón de prueba. El GFCI debe interrumpir la energía. Presione el botón de reinicio. Se debe restablecer la energía. Si el GFCI no funciona de esta forma, quiere decir que está defectuoso. Si el GFCI interrumpe la energía a la bomba sin presionar el botón de prueba, quiere decir que fluye corriente de tierra, lo que indica la posibilidad de una descarga eléctrica. No utilice el dispositivo. Desconecte el dispositivo y solicite a un representante de servicio calificado que solucione el problema antes de utilizarlo.

#### **ADVERTENCIA**

Los equipos instalados incorrectamente pueden fallar y causar lesiones graves o daños materiales.

#### **ADVERTENCIA**

- No conecte el sistema a la red de agua no regulada de la ciudad o a otra fuente externa de agua presurizada que produzca presiones mayores a 35 PSI.
- Arrancar la bomba cuando hay aire comprimido en el sistema puede hacer que salte la tapa del filtro, lo que puede causar serias lesiones e incluso la muerte o daño a la propiedad. Antes de operar asegúrese de que todo el aire del sistema haya salido.

## ADVERTENCIA

Para minimizar el riesgo de muerte o lesiones graves, el filtro y/o la bomba no deben someterse a la prueba de presurización del sistema de tuberías.

Las normas locales pueden requerir que el sistema de tuberías de la piscina sea sometido a una prueba de presión. Por lo general, estos requisitos no deben aplicarse a los equipos de la piscina, tales como filtros y bombas

Los equipos de piscina Zodiac® se prueban por presión en la fábrica.

Sin embargo, si la ADVERTENCIA no se puede seguir y las pruebas de presión del sistema de tuberías deben incluir el filtro y/o la bomba, ASEGÚRESE DE CUMPLIR CON LAS SIGUIENTES INSTRUCCIONES DE SEGURIDAD:

- Verifique que todas las abrazaderas, tornillos, tapas, anillos de bloqueo y los accesorios del sistema para asegurarse de que estén correctamente instalados y asegurados antes de la prueba.
- **LIBERE TODO EL AIRE** en el sistema antes de la prueba.
- La presión del agua para la prueba **NO DEBE EXCEDER 35 PSI**.
- La temperatura del agua para la PRUEBA **NO DEBE EXCEDER 38°C**.
- Limite la prueba a 24 horas Después de la prueba, verifique visualmente el sistema para asegurarse de que esté listo para funcionar.

**Aviso:** Estos parámetros sólo se aplican a los equipos Zodiac. Para equipos que no son Zodiac, consulte al fabricante del equipo.

## ADVERTENCIA

Los derrames de productos químicos y los gases pueden debilitar los equipos de piscina. La corrosión puede producir fallas en los filtros y otros equipos, lo que podría resultar en lesiones graves o daños materiales. No almacene productos químicos para piscinas cerca de sus equipos.

## PRECAUCIÓN

**¡No arranque la bomba en seco!** El funcionamiento de la bomba en seco puede causar daños graves e invalidará la garantía.

## PRECAUCIÓN

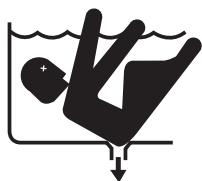
Esta bomba es para el uso en piscinas instaladas permanentemente y también se puede utilizar en tinas de hidromasaje y spas, si así lo indican. No utilice en piscinas portátiles. La piscina permanente está construida dentro o sobre el suelo o en un edificio, de tal manera que no se puede desmontar fácilmente para su almacenamiento. La piscina portátil está construida de manera que puede desmontarse fácilmente para su almacenamiento y volver a montarse en su estado original.

## PRECAUCIÓN

No la instale en un recinto exterior o debajo de la falda de una tina de hidromasaje La bomba requiere una ventilación adecuada para mantener la temperatura del aire por debajo del rango de temperatura ambiente máxima que aparece en la placa del motor.

**GUARDE ESTAS INSTRUCCIONES**

## 1.2 Indicaciones para evitar el atrapamiento por la bomba de succión de la piscina.



### ⚠ ADVERTENCIA

**PELIGRO DE SUCCIÓN.** Puede causar lesiones graves o la muerte. No use esta bomba en piscinas para niños, piscinas de poca profundidad o spas con drenajes en el fondo, a menos que la bomba esté conectada a por lo menos dos (2) puntos de succión funcionales.

### ⚠ ADVERTENCIA

La succión de la bomba es peligrosa y puede atrapar, ahogar y desentrañar a los bañistas. No utilizar ni operar las piscinas, spas, jacuzzis si alguna de las tapas del desagüe de succión está ausente, rota o suelta. Las siguientes indicaciones proporcionan información para la instalación de la bomba minimizando el riesgo de lesiones para los usuarios de piscinas, spas y jacuzzis:

**Protección contra atrapamiento** – El sistema de succión de la bomba debe proporcionar protección contra los peligros de atrapamiento por succión.

**Cubiertas de la toma de succión** – Todas las tomas de succión deben tener las tapas instaladas correctamente y atornilladas en su lugar. Debe hacerse mantenimiento a todas las tapas de los drenajes de succión. Las tapas de desagüe deben cumplir con la última edición publicada de la norma ANSI/ASME A112.19.8. Deben ser sustituidas si están agrietadas, rotas o ausentes.

**Número de tomas de succión por bomba** – Deben proporcionarse al menos dos (2) colectores principales hidráulicamente equilibrados, con sus tapas, como salida para cada línea de succión de la bomba de circulación. Los centros de los colectores principales (puntos de succión) en una (1) línea de succión deben estar separados por lo menos tres (3) metros de distancia, centro a centro. Vea la Figura 1 en la página 63.

El sistema *debe* estar construido para incluir al menos dos (2) salidas de succión (desagües) conectadas a la bomba cuando está funcionando. Sin embargo, si dos (2) colectores principales llegan a una sola línea de succión, esta línea de succión individual puede ser equipada con una válvula que cerrará los dos desagües principales de la bomba. El sistema deberá ser construido de tal manera que no permita el cierre por separado o independiente (aislamiento) de cada uno de los drenajes. Vea la Figura 1 en la página 63.

Se puede conectar más de una (1) bomba a una línea de succión única, siempre y cuando se cumplan los requisitos.

**Velocidad del agua** – La velocidad máxima del agua a través del accesorio de succión o la cobertura de cualquier toma de succión debe ser de 1,5 metros por segundo, a menos que la salida se ajuste a la última edición publicada de la norma ANSI / ASME A112.19.8, el estándar para *os accesorios de aspiración para el uso en piscinas de natación, piscinas pequeñas, jacuzzis, spas, tinas de hidromasaje y sus aplicaciones*. En cualquier caso, no exceda la velocidad máxima de flujo del accesorio de succión.

Si el 100% del caudal de la bomba viene del sistema de drenaje principal, la velocidad máxima del agua en el sistema hidráulico de succión de la bomba debe ser de seis (6) metros por segundo o menos, incluso si uno (1) de los desagües principales (salida de la succión) está completamente bloqueado. El flujo a través de (los) drenaje(s) principal restante (s) debe(n) cumplir con la última edición publicada de la norma ANSI/ASME A112.19.8, el estándar para *Los accesorios de aspiración para el uso en piscinas de natación, piscinas pequeñas, jacuzzis, spas, tinas de hidromasaje y sus aplicaciones*.

**Pruebas y certificación** – Las cubiertas de succión de salida deben haber sido probadas por un laboratorio de pruebas reconocido a nivel nacional y cumplir con la última edición publicada de la norma ANSI/ASME A112.19.8, el estándar para *los accesorios de aspiración para el uso en piscinas de natación, piscinas pequeñas, jacuzzis, spas, tinas de hidromasaje y sus aplicaciones*.

**Accesorios** – Accesorios de restricción de flujo; para la mejor eficiencia posible utilizar la menor cantidad de accesorios (pero por lo menos dos (2) salidas de succión).

Evite los accesorios que puedan causar trampas de aire.

Las conexiones y accesorios de limpieza de la succión deben ajustarse a los estándares aplicables de la Asociación Internacional de Fontanería y Funcionarios Mecánicos (IAPMO)

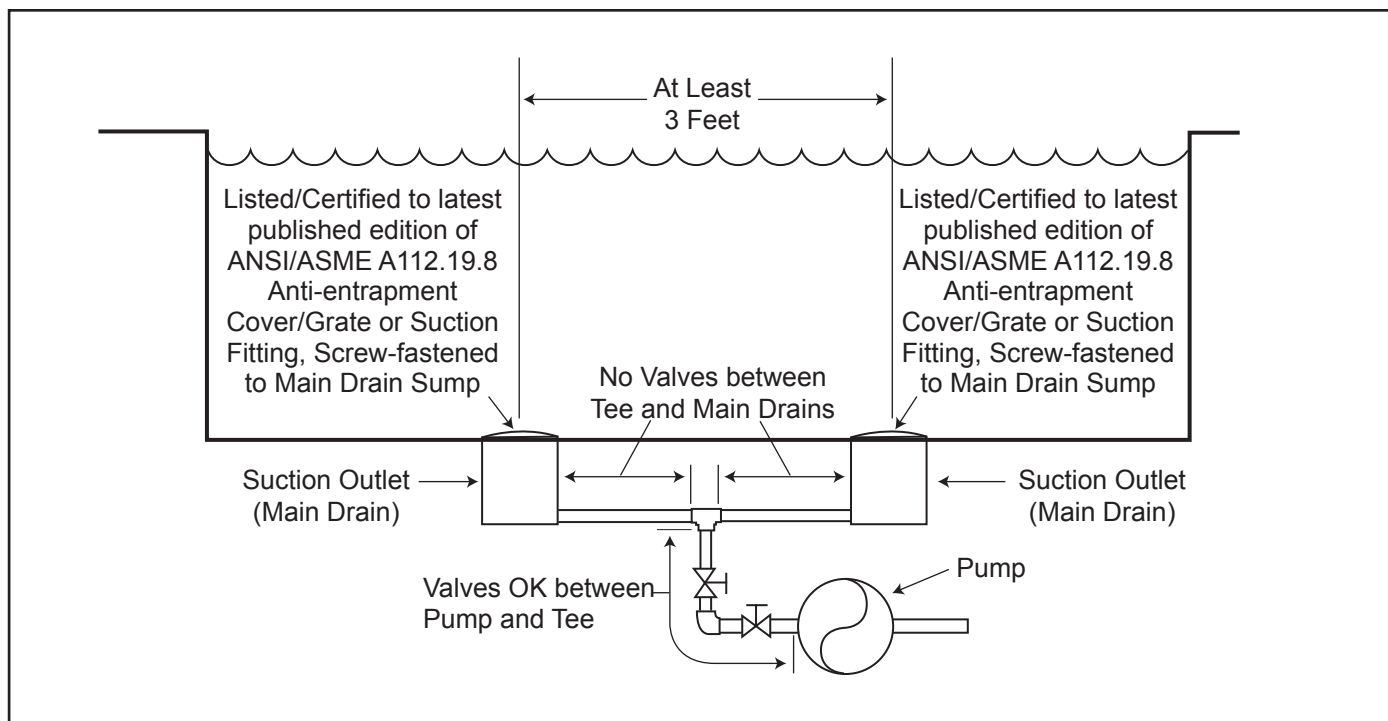


Figura 1. Número de tomas de succión por bomba

## Sección 2. Descripción general

### 2.1 Introducción

Este manual contiene información sobre la instalación, la operación y el mantenimiento adecuados de las bombas de velocidad variable Jandy Pro Serie VS-FHP. Los procedimientos indicados en este manual se deben seguir con exactitud. Para obtener copias adicionales de este manual, póngase en contacto con Zodiac® Servicio al Cliente al 800.822.7933. Para más información de direcciones, consulte la contraportada de este manual.

### 2.2 Descripción

La VS-FHP es una bomba de velocidad variable que se puede operar desde 600 RPM a 3450 RPM. Cuando se conecta al Controlador JEP-R, se pueden programar y almacenar un máximo de ocho (8) ajustes de velocidad. Esto le permite seleccionar la velocidad más adecuada para su aplicación. Una programación aún más versátil es posible usando el controlador AquaLink® RS o el controlador AquaLink PDA.

La bomba es accionada por un motor de velocidad variable PMSM (síncrono de imanes permanentes) directamente acoplado a la turbina de la bomba. El motor eléctrico gira el impulsor, lo que obliga a que el agua fluya a través de la bomba. A medida que la velocidad del motor varía, el flujo a través de la bomba también varía. El caudal ajustable permite la optimización del flujo para requerimientos variados de la bomba. Como resultado, la eficiencia energética de la bomba se maximiza con el consiguiente ahorro de costes para el dueño de la piscina y al mismo tiempo ayuda a proteger el medio ambiente.

## Sección 3. Información de instalación

### 3.1 Hidráulica

#### 3.1.1 Información de preparación

1. Tras la recepción de la bomba, revise si la caja presenta daños. Abra la caja y revise si la bomba presenta daños ocultos, tales como grietas, abolladuras o la base doblada. Si encuentra algún daño, póngase en contacto con el remitente o el distribuidor donde adquirió la bomba.
2. Inspeccione el contenido de la caja y verifique que estén todas las piezas. Vea la Sección 7.1, Lista de piezas de repuesto y plano de despiece detallado

#### 3.1.2 Ubicación de la bomba

1. Zodiac Pool Systems, Inc. recomienda la instalación de la bomba dentro de un espacio de 30 cms. sobre el nivel del agua. La bomba no debe elevarse a más de un metro por encima del nivel del agua de la piscina.

**NOTA** Para lograr un mejor selfautocebado, instale la bomba lo más cerca posible del nivel de agua de la piscina.

2. Si la bomba se ubica por debajo del nivel del agua, deben instalarse válvulas de aislamiento tanto en la línea de succión como en la de retorno para evitar el reflujos del agua de la piscina durante cualquier servicio de rutina o necesario.

**NOTA** Cuando el equipo de la piscina está ubicado por debajo de la superficie de la piscina, una fuga puede resultar en grandes pérdidas de agua o inundación. Zodiac Pool Systems, Inc., no se responsabiliza por dichas pérdidas o inundaciones ni por el daño causado por estas situaciones.

3. La bomba y los otros equipos de circulación deben estar ubicados a más de cinco (5) metros del agua. Elija un lugar que reduzca al mínimo las curvas en la tubería.

**NOTA** En Canadá, la bomba debe estar ubicada a un mínimo de tres (3) metros (aproximadamente 10 pies) del agua (CSA C22.1).

4. La bomba debe ser colocada sobre una base sólida que no vaya a vibrar. Para reducir aún más la posibilidad de ruido por vibración, atornille la bomba a los cimientos, o colóquela sobre una estera de goma.

**NOTA** Zodiac Pool Systems, Inc. recomienda atornillar la bomba directamente los cimientos.

5. La base de la bomba debe tener un drenaje adecuado para evitar que el motor se moje. Proteja la bomba de la lluvia y el sol.
6. Es necesaria una ventilación adecuada para que la bomba funcione con normalidad. Todos los motores generan calor que debe ser retirado por mediante una ventilación adecuada.
7. Proporcione acceso para los futuros servicios, dejando un espacio suficiente alrededor de la bomba. Deje suficiente espacio por encima de la bomba para quitar la tapa y la cesta para su limpieza.

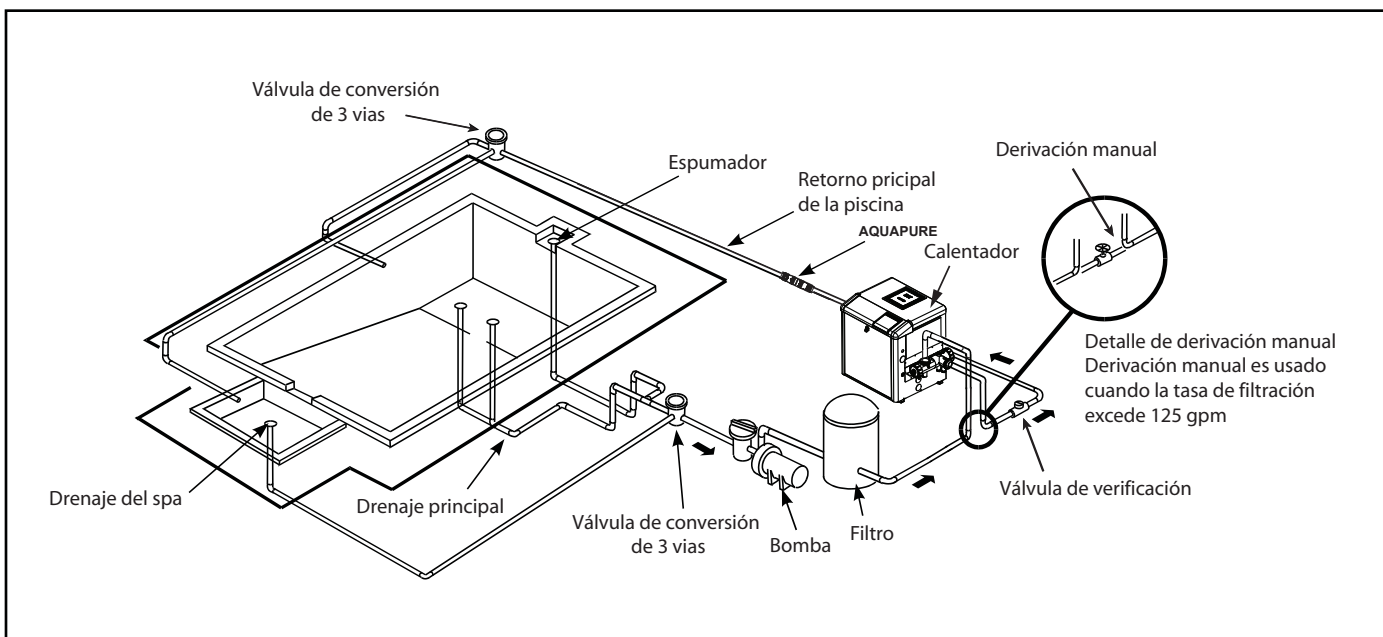


Figura 2. Instalación típica de tubería



- Si el equipo está en una zona potencialmente oscura, proporcione iluminación adecuada.

### 3.1.3 Dimensiones de la tubería

#### 3.1.3.1 Tubería de succión

Cuando la bomba se encuentra dentro de una distancia de 15 metros de la piscina, el tamaño mínimo de la tubería recomendada para la succión de la bomba es de 2 pulgadas (5 cm). Para longitudes de succión de más de 50 metros véase la Sección 3.1.3.3 Paso 2.

#### 3.1.3.2 Tubería de descarga

Cuando la bomba se encuentra dentro de una distancia de 15 metros de la piscina, el tamaño mínimo de la tubería recomendada para la descarga de la bomba es de 2 pulgadas (5 cm). Para longitudes de descarga de más de 50 pies (15 m), véase la Sección 3.1.3.3 Paso 2.

#### 3.1.3.3 Recomendaciones de instalación

- Si la bomba se ubica por debajo del nivel del agua, deben instalarse válvulas de aislamiento tanto en la línea de succión como en la de retorno para evitar el reflujos del agua de la piscina durante cualquier servicio de rutina o necesario.
- Para ayudar a prevenir problemas en el cebado, instale la tubería de succión, sin puntos elevados (por encima de la entrada de la bomba - "U" invertida, comúnmente conocidas como cámaras de aire) que puedan atrapar el aire. Para instalaciones de equipos dentro de una distancia de hasta 30 metros del agua, consulte la Tabla 1, la tabla de tamaños de tuberías. Para instalaciones de equipos a una distancia de más de 30 metros del agua, el tamaño de la tubería recomendada se debe aumentar al tamaño siguiente.

**Tabla 1. Diagrama de dimensionamiento de tuberías para PVC cédula 40**

Tamaño de la tubería	Flujo máximo de succión (6 pies por segundo)	Flujo máximo de descarga (8 pies por segundo)
3,8 cm (1½")	37 GPM (140 LPM)	50 GPM (189 LPM)
5 cm (2")	62 GPM (235 LPM)	85 GPM (322 LPM)
6,4 cm (2½")	88 GPM (333 LPM)	120 GPM (454 LPM)
7,6 cm (3")	136 GPM (515 LPM)	184 GPM (697 LPM)
10 cm (4")	234 GPM (886 LPM)	313 GPM (1185 LPM)

- VS-FHP Las bombas están equipadas con uniones en ambos puertos de succión y descarga. Esta característica simplifica la instalación y el servicio y elimina la posibilidad de fugas en los adaptadores roscados.
- Las bombas de la serie VS-FHP deben conectarse con al menos dos (2) desagües principales hidráulicamente balanceados (salidas de succión), para cada línea de succión de la bomba. Cada desagüe debe estar provistos de tapas que cumplan con la última edición publicada de la norma ANSI / ASME A112.19.8. Los accesorios de succión de los principales drenajes deben estar a por lo menos un (1) metro de distancia o en planos diferentes. Los accesorios de succión pueden ser un drenaje y un rebosadero, dos (2) desagües, dos (2) rebosaderos, o un rebosadero con una línea de igualación instalada. Compruebe en los códigos locales los requisitos de una instalación correcta.

**NOTA** Para evitar el atrapamiento, el sistema debe ser construido de manera que no pueda funcionar con la bomba retirando agua de sólo un (1) colector principal. Por lo menos dos (2) colectores principales deben estar conectados a la bomba cuando esté en funcionamiento. Sin embargo, si dos (2) colectores principales llegan a una sola línea de succión, esta línea de succión individual puede ser equipada con una válvula que cerrará los dos desagües principales de la bomba.

- La tubería debe estar bien apoyada y sin forzamientos, donde experimentará un estrés constante.
- Siempre use válvula del tamaño correcto. Las válvulas de desviación Jandy y las válvulas de bola Jandy tienen típicamente las mejores capacidades de flujo.
- Use la menor cantidad de conexiones posibles. Todos los accesorios adicionales tienen el efecto de alejar más el equipo del agua.

**NOTA** Si se necesitan más de diez conexiones de succión, el tamaño de la tubería debe ser aumentado.

- Cada nueva instalación debe someterse a una prueba de presión de acuerdo a los códigos locales.

### 3.1.4 Reemplazo de la bomba existente

Las bombas Serie Jandy Pro® FHP pueden sustituir fácilmente a varias otras bombas: la Hayward® Super Pump®, Pentair® SuperFlo®, Pentair® WhisperFlo®, Serie Jandy Pro PlusHP (PHP) y Serie Jandy Pro MaxHP (MHP).

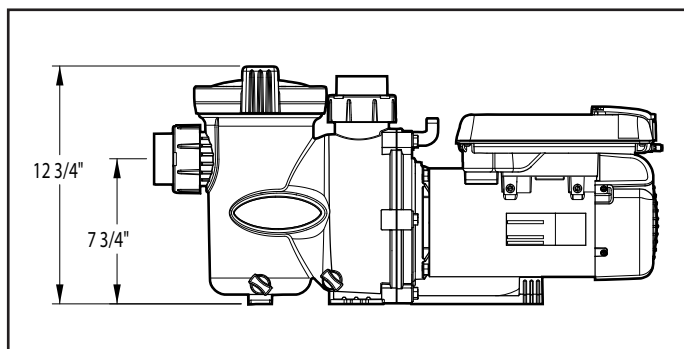
Para reemplazar el Pentair WhisperFlo, PHP Serie Jandy Pro, Serie Jandy Pro o MHP, use la base ajustable FHP. La base de la FHP (y sus separadores) aumentan la altura total de la bomba y la altura del lado de succión de la bomba. Véase Tabla 2.

**Tabla 2. Dimensiones del FHP**

Base de configuración	Altura de lado de la succión	Altura de la bomba
Bomba sin la base	19.7 cm (7 ¾")	32.4 cm (12 ¾")
Bomba con la base	22.5 cm (8 ⅞")	35.2 cm (13 ⅞")
Bomba con base y espaciadores	23.2 cm (9 ⅛")	35.9 cm (14 ⅛")

#### 3.1.4.1 Bomba Hayward Super Pump y Pentair SuperFlo

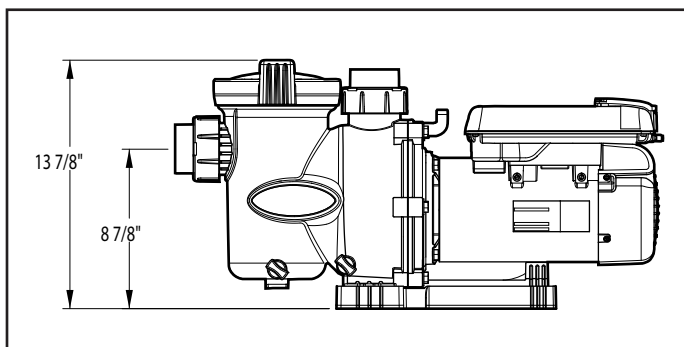
La FHP Serie Jandy Pro puede reemplazar una bomba Hayward Super o un SuperFlo Pentair sin necesidad de utilizar la base FHP. Véase Figura 3.



**Figura 3. Coloque el FHP directamente en la base del equipo**

#### 3.1.4.2 Serie Jandy Pro PlusHP (PHP) y Serie Jandy Pro MaxHP (MHP)

Para reemplazar una bomba Serie Jandy Pro PHP o MHP con una Serie Jandy Pro FHP, use la base FHP, como se muestra en la Figura 4.

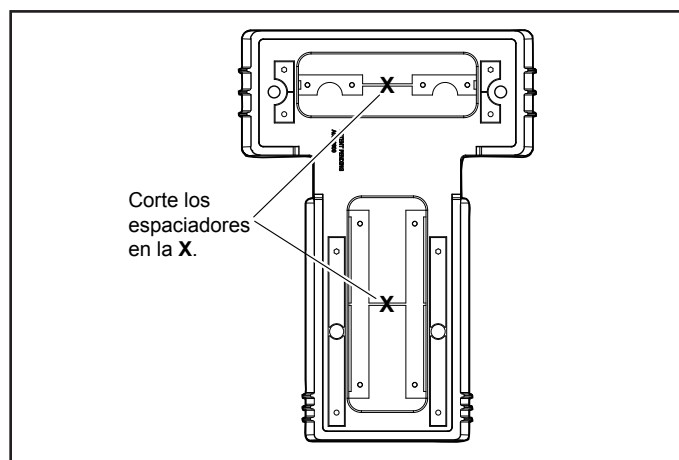


**Figura 4. Coloque el FHP con su base en la base del equipo**

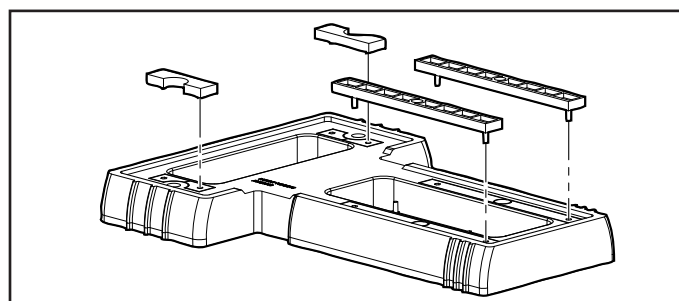
#### 3.1.4.3 Bomba Pentair WhisperFlo

Para reemplazar una bomba Pentair WhisperFlo con una Serie Jandy Pro FHP, coloque la base FHP con separadores en la base del equipo y coloque la PSF en la base, como se muestra en la Figura 7.

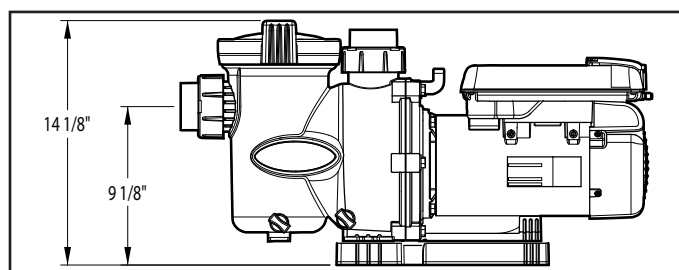
1. Utilizando una herramienta manual de corte, corte las barras de plástico que conectan los conjuntos superior e inferior de los separadores, como se muestra en la Figura 5.
2. Empuje los dos (2) separadores de la parte superior y dos (2) separadores de fondo fuera de la base.
3. Alinee los pines en los cuatro (4) separadores con los agujeros en la base y ajuste los separadores en su lugar, como se muestra en la Figura 6.



**Figura 5. Corte los grupos de espaciadores fuera de la base**



**Figura 6. Encaje los espaciadores en su sitio**



**Figura 7. Coloque el FHP con su base y espaciadores en la base del equipo**

Hayward® y Super Pump® son marcas registradas de Industrias de Hayward, Inc.

Pentair® es una marca registrada de Pentair, Inc.

SuperFlo® y WhisperFlo® son marcas registradas de Pentair Water Pool and Spa, Inc.

## 3.2 Instalación eléctrica

### 3.2.1 Pruebas de voltaje

El voltaje correcto, como se especifica en la placa de la bomba y la tabla de especificaciones en la página 82, es necesario para la correcta ejecución y larga vida del motor. Un voltaje incorrecto disminuirá el desempeño de la bomba y podría causar sobrecalentamiento, reduciendo la vida útil del motor y resultando en cuentas eléctricas más altas.

Es responsabilidad del instalador eléctrico proporcionar el voltaje de funcionamiento indicado en los datos de la placa la bomba, garantizando los tamaños adecuados de circuito y de cable para esta aplicación específica.

El Código Eléctrico Nacional (NEC, NFPA-70) requiere que todos los circuitos de bomba de la piscina estén protegidos con un interruptor de falla a tierra (GFCI). Por lo tanto, también es responsabilidad del instalador eléctrico asegurarse de que el circuito de la bomba esté en el cumplimiento de éste y todos los demás requisitos aplicables del Código Eléctrico Nacional (NEC) y otros códigos aplicables a la instalación.

### PRECAUCIÓN

No proporcionar el voltaje indicado en placa (dentro de un 10%) durante la operación causará que el motor se sobrecaliente y anulará la garantía.

### 3.2.2 Conexión y aterramiento

1. La carcasa del motor debe estar conectada a una toma de tierra fiable con un conductor de cobre sólido, N°. 8 AWG o más grande. La carcasa del motor debe estar conectada a todas las partes metálicas de la estructura de la piscina, spa o jacuzzi y a todas las tuberías de los equipos eléctricos, conductos de metal y dentro de los cinco (5) pies (1,5 m) de las paredes interiores de la piscina, spa o jacuzzi.

**NOTA** En Canadá, la bomba debe estar ubicada a un mínimo de tres (3) metros (aproximadamente 10 pies) del agua (CSA C22.1).

2. Unir el motor utilizando el terminal de externo provisto. Véase Figura 8.

### ⚠ ADVERTENCIA

Siempre desconecte la fuente de alimentación antes de trabajar en un motor o su carga acoplada.

### ⚠ ADVERTENCIA

Asegúrese de que el interruptor de control, reloj de tiempo, o el sistema de control estén instalados en un lugar accesible, de modo que en el caso de una falla del equipo o de tuberías, el equipo pueda ser apagado fácilmente. Esta ubicación no debe estar en la misma área que la bomba de la piscina, filtros y otros equipos.

### PRECAUCIÓN

La bomba debe estar permanentemente conectada a un circuito eléctrico dedicado. Ningún otro equipo, luces, electrodomésticos, o tomas pueden estar conectados al circuito de la bomba, con la excepción de los productos que pueden ser necesarios para operar simultáneamente con la bomba, como un dispositivo de cloración o la calefacción.

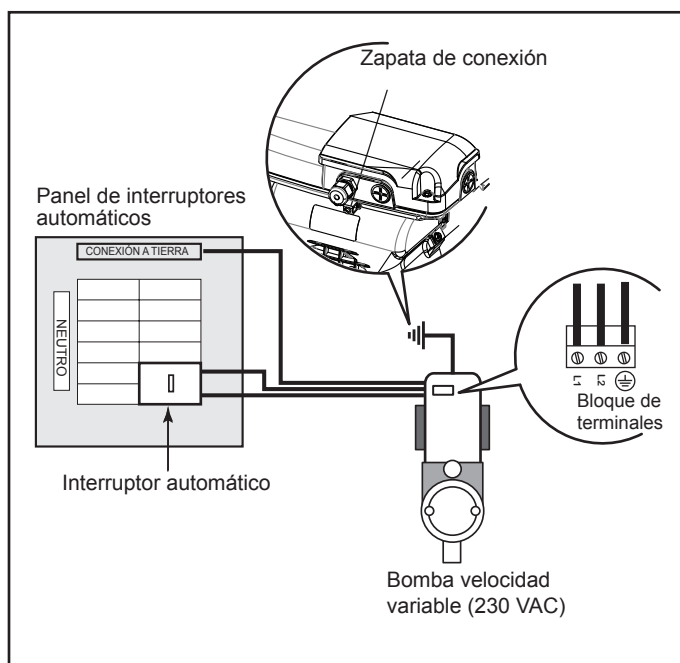


Figura 8. Unión del motor

### 3.2.3 Cableado eléctrico

1. El motor de la bomba debe ser puesto a tierra adecuadamente y de forma segura con el tornillo verde proporcionado. Complete el aterramiento antes de conectar al suministro de energía eléctrica. No conecte a tierra en una tubería de suministro de gas.
2. El tamaño del cable debe ser adecuado para minimizar la caída de tensión durante el arranque y funcionamiento de la bomba. Vea la Tabla 3 para los tamaños de cable sugeridos.
3. Aísle todas las conexiones con cuidado para evitar cable a tierra o cortocircuitos. Los bordes afilados en los terminales requieren una protección extra. Por razones de seguridad, y para evitar la entrada de contaminantes, reinstale todos los conductos y tapas de la caja de terminales. No fuerce las conexiones en la caja de conexiones.

Tabla 3. Tamaños de cable recomendados para bombas de velocidad variable

TAMAÑO DE CABLE MÍNIMOS RECOMENDADOS PARA BOMBAS* VS-FHP		
Distancia desde el sub-tablero		0-150 pies (0-45 metros)
Modelo	Fusible del ramal AMPS Clase: CC, G, H, J, K, RK o T 230 VAC	Voltaje 230 VAC
VS-FHP 2.0	20A	12

\*Asume tres (3) cables de cobre en un conducto enterrado y un máximo de 3% de pérdida de voltaje por rama del circuito. Deben seguirse todos los códigos eléctricos locales de la National Electrical Code (NEC) o los de Canadá (CSA) La tabla muestra el tamaño de cable mínimo y recomendaciones de fusibles por rama para la instalación típica

**NOTA** Ya que la bomba es operada o por un controlador de velocidad variable (JEP-R), o un controlador RS AquaLink®, o una AquaLink Digital (PDA), la bomba no se encenderá hasta que se encienda con uno de estos controladores.

### 3.2.4 Instalación del controlador

La bomba VS-FHP puede ser operada por uno de estos tres (3) controladores: el controlador de velocidad variable, el controlador RS AquaLink® (Rev O o posterior), o el AquaLink PDA (Rev 4.0 o posterior). La bomba de velocidad variable FloPro se comunica con los controladores a través de una interfaz de cuatro hilos RS-485.

Si es necesario cortar el cable RS-485 a cualquier longitud a la medida, asegúrese de pelar y cortar el cable de tierra apantallado.

Para instalar el controlador de velocidad variable:

## IMPORTANTE

El instalador debe encender los interruptores 1 y 2 en "ON" (encendido) en la bomba VS-FHP cuando se conecta con el controlador de velocidad variable.

**NOTA** El número de parte del controlador de velocidad variable, es JEP-R

1. Corte la tensión de la bomba VS-FHP desconectando las líneas de alta tensión o abriendo de cualquier interruptor de energía al cual esté conectado.

## ⚠ ADVERTENCIA

### RIESGO DE CHOQUE ELÉCTRICO.

Apague todos los interruptores y el interruptor principal en el circuito eléctrico de la bomba VS-FHP antes de iniciar el procedimiento. El incumplimiento de esta recomendación puede causar un riesgo de electrocución, que puede dar como resultado lesiones personales severas e incluso la muerte.

2. Retire la tapa de la caja de conexiones VS-FHP y enchufe el cable RS-485 en la conexión.
3. Desconecte el conector RS-485 de la VS-FHP.
4. Inserte los cuatro (4) cables del cable RS-485 al conector RS-485. Haga coincidir los colores de los cables con las posiciones del conector de la siguiente manera: 1- rojo, 2- negro, 3- amarillo y 4- verde. Vea las figura 9.
5. Inserte el conector RS-485 de nuevo en la VS-FHP.

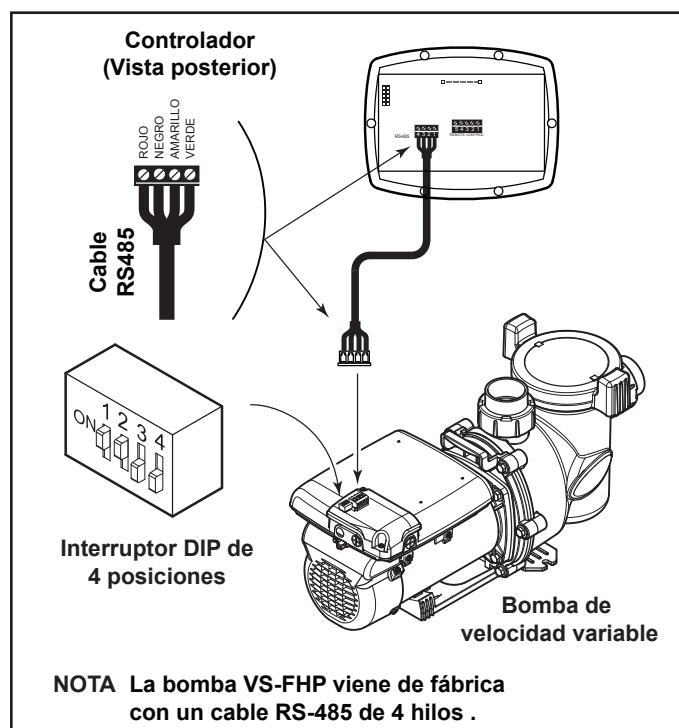


Figura 9. Cableado del controlador de velocidad (JEP-R) a la bomba VS-FHP

6. Deslice los interruptores DIP 1 y 2 arriba, quedando en la posición “ON” (de encendido) y los interruptores DIP 3 y 4 hacia abajo, quedando en la posición “OFF”(apagado). Véase Figura 9.
7. Conecte el otro extremo del cable al controlador. Haga coincidir los colores de los cables con las posiciones del conector apropiado de la siguiente manera: 1- rojo, 2- negro, 3- amarillo y 4- verde.
8. Restablezca el suministro de energía a la bomba VS-FHP y verifique el funcionamiento del controlador.
9. Consulte el manual de instrucciones del controlador de velocidad variable, el H0311200, para operar la bomba.

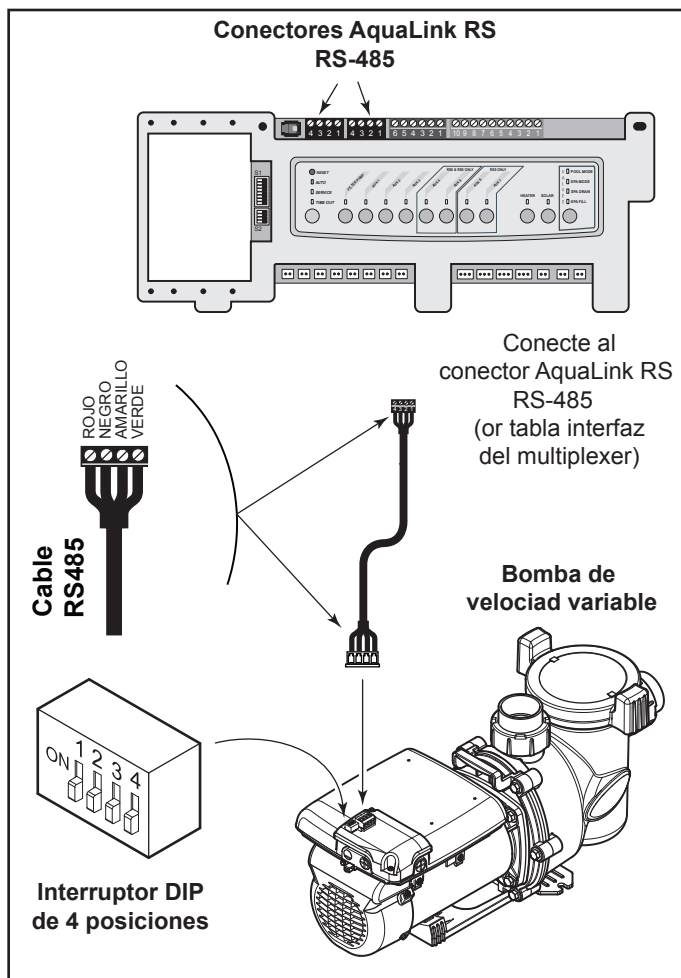
**Para instalar el controlador RS AquaLink® (Rev O o posterior) o el AquaLink PDA (Rev 4.0 o posterior):**

1. Corte la tensión de la bomba VS-FHP desconectando las líneas de alta tensión o abriendo de cualquier interruptor de energía al cual esté conectada.

**⚠ ADVERTENCIA**

Apague todos los interruptores y el interruptor principal en el circuito eléctrico de la bomba VS-FHP antes de iniciar el procedimiento. El incumplimiento de esta recomendación puede causar un riesgo de electrocución, que puede dar como resultado lesiones personales severas e incluso la muerte.

2. Deslice los interruptores DIP 1 y 2 abajo, quedando en la posición apagado. Véase la Figura 10.
3. Seleccione la(s) dirección(es) deseada(s) para la bomba VS-FHP configurando los interruptores DIP 3 y/o 4, como se muestra en la Sección 3.3, Configuración de los interruptores DIP de la bomba VS-FHP.
4. Conecte el otro extremo del cable al conector RS-485 en el AquaLink RS (o tarjeta interfaz multiplexora), coincidiendo los colores de los cables con las posiciones del conector de la siguiente manera: 1-rojo, 2-negro, 3-amarillo y 4-verde. Véase Figura 10.
5. Restablezca el suministro de energía a la bomba VS-FHP y verifique el funcionamiento del controlador.
6. Consulte el manual correspondiente para configurar y operar las bombas: Manual de Usuario del AquaLink RS, 6593 o el Manual de Usuario del AquaLink PDA, H0572300.



**Figura 10. Cableado del controlador AquaLink RS o AquaLink PDA a la bomba VS-FHP**

**3.3 Ajustes de los interruptores de DIP de configuración de la bomba VS-FHP**

Como se ve en las Figuras 9 y 10, el interruptor DIP de 4 posiciones está en la parte posterior de la bomba VS-FHP. Este interruptor DIP tiene dos (2) funciones: selecciona la dirección de la bomba, qué tipo de controlador se puede utilizar con la bomba. Las siguientes tablas muestran la configuración del interruptor DIP.

Interruptor 1	Interruptor 2	Controlador
OFF (apagado)	OFF (apagado)	AquaLink RS o AquaLink PDA
ON (encendido)	ON (apagado)	Controlador JEP-R de velocidad variable

Interruptor 3	Interruptor 4	Dirección de la bomba
OFF (apagado)	OFF (apagado)	BOMBA 1
ON (encendido)	OFF (apagado)	BOMBA 2
OFF (apagado)	ON (encendido)	BOMBA 3
ON (encendido)	ON (apagado)	BOMBA 4

### 3.4 Quite la tapa de la bomba

1. Asegúrese de que la bomba esté apagada.
2. Asegúrese de que el interruptor al disyuntor que acciona el motor de la bomba se apague.

#### ⚠ ADVERTENCIA

##### RIESGO DE CHOQUE ELÉCTRICO

Apague la bomba y el interruptor principal en el circuito eléctrico de la bomba antes de iniciar el procedimiento. El incumplimiento de esta recomendación puede causar un riesgo de electrocución, que puede dar como resultado lesiones personales severas e incluso la muerte.

#### ⚠ ADVERTENCIA

##### RIESGO DE CHOQUE ELÉCTRICO

Debido al riesgo potencial de incendio, choque eléctrico o lesiones corporales, las bombas Zodiac® se deben instalar de acuerdo con el Código Eléctrico Nacional (NEC), todos los códigos locales eléctricos y de seguridad, y la Ley de Seguridad y Salud Ocupacional (OSHA). Pueden solicitarse copias del código NEC a la National Fire Protection Association, 470 Atlantic Ave., Boston, MA 02210, o en su agencia gubernamental de inspección.

En Canadá, las bombas del Zodiac deben instalarse de acuerdo con el Código Eléctrico Canadiense (CEC).

3. Asegúrese de que todas las válvulas de aislamiento necesarias están cerradas para evitar que agua de la piscina de llegue a la bomba.

4. Siguiendo las marcas en el anillo de cierre, gire el anillo hacia la izquierda hasta que la marca 'ARRANQUE' se alinee con los puertos. Véase Figuras 11 y 12.
5. Retire con cuidado la tapa con anillo de cierre.

### 3.5 Lleve a cabo pruebas de presión

#### ⚠ ADVERTENCIA

Cuando se presuriza un sistema con agua para probarlo, a menudo el aire queda atrapado en el sistema durante el proceso de llenado. Este aire se comprimirá cuando el sistema está bajo presión. En caso de fallo del sistema, este aire atrapado puede impulsar partículas a gran velocidad y causar lesiones. Se deben hacer todos los esfuerzos posibles para eliminar el aire atrapado durante el llenado de la bomba, incluido abrir la válvula de purga del filtro y aflojar la tapa de la canasta de la bomba.

#### ⚠ ADVERTENCIA

Arrancar la bomba cuando hay aire comprimido en el sistema puede hacer que salte la tapa del filtro, lo que puede causar lesiones serias e incluso la muerte o daño a la propiedad. Asegúrese de que todo el aire haya sido correctamente purgado fuera del sistema antes de operar. **NO USE AIRE COMPRIMIDO PARA PRUEBAS DE PRESIÓN O PARA COMPROBAR SI HAY FUGAS.**

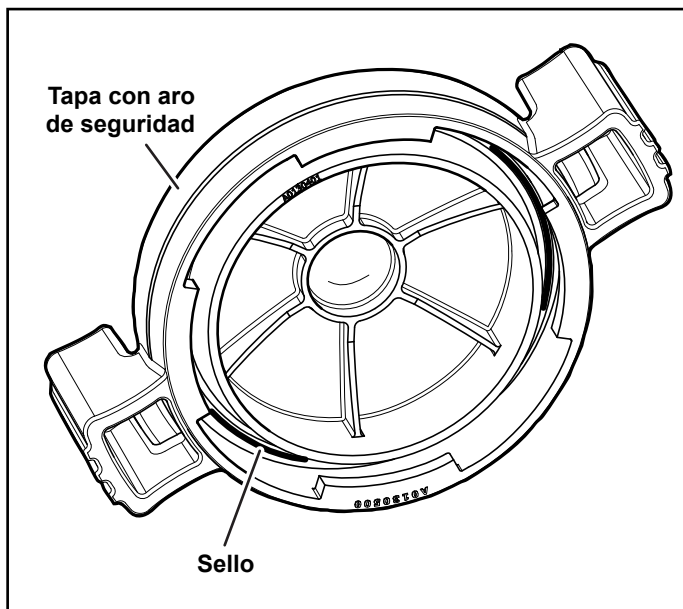


Figura 11. Anillo tórico en la tapa de montaje

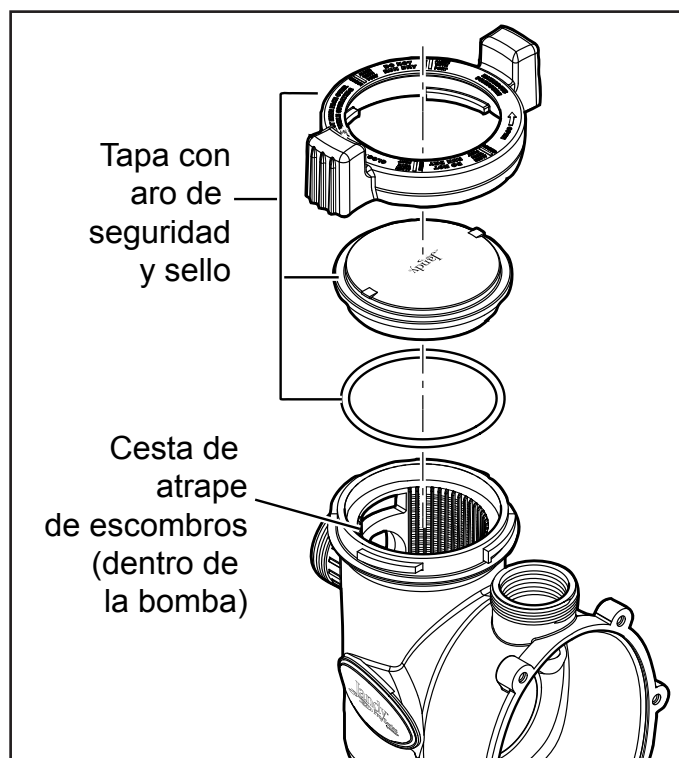


Figura 12. Plano de despiece de la bomba

## ADVERTENCIA

No pruebe con presiones mayores de 35 PSI. La prueba de presión debe ser realizada por un profesional de piscinas entrenado. Todo equipo de circulación que no se haya probado adecuadamente puede fallar, lo que podría provocar lesiones graves o daños materiales.

## ADVERTENCIA

Cuando se realice la prueba de presión del sistema con agua, es muy importante asegurarse de que la tapa de la canasta de la bomba esté completamente segura.

1. Llene el sistema con agua, teniendo cuidado de eliminar el aire atrapado.
2. Presurice el sistema con agua a no más de **35 PSI**.
3. Cierre la válvula para atrapar agua presurizada en el sistema.
4. Observe el sistema para detectar fugas y/o caídas de presión.
5. Si hay fugas en la tapa, repita este procedimiento. Para soporte técnico, llame al 800.822.7933. En Canadá, llame al 1-888-647-4004.

## Sección 4. Operación

### 4.1 Puesta en marcha

## PRECAUCIÓN

Nunca haga funcionar la bomba sin agua. Hacer funcionar la bomba "en seco" durante mucho tiempo puede causar graves daños a la bomba y al motor y anulará la garantía.

Si se trata de una piscina nueva, asegúrese de que toda la tubería esté libre de residuos de construcción y que haya sido debidamente probada a presión. El filtro debe ser revisado para su correcta instalación, comprobando que todas las conexiones y abrazaderas estén aseguradas de acuerdo a las recomendaciones del fabricante.

## ADVERTENCIA

Para evitar el riesgo de daños a la propiedad, lesiones personales graves o la muerte, verifique que la alimentación eléctrica esté apagada antes de iniciar este procedimiento.

1. Descargue toda la presión del sistema y abra la válvula de liberación de presión del filtro.

2. Dependiendo de la ubicación de la bomba, haga una de las siguientes cosas:
  - Si la bomba se encuentra por debajo del nivel del agua de la piscina, abra la válvula de liberación de presión del filtro para cebar la bomba con agua.
  - Si la bomba se encuentra por encima del nivel del agua de la piscina, retire la tapa y llene la canasta con agua antes de arrancar la bomba.
3. Antes de sustituir la tapa, compruebe si hay residuos alrededor de la tapa del asiento de la junta tórica. Los residuos alrededor la tapa del asiento de la junta tórica harán penetrar el aire en el sistema y dificultarán el cebado de la bomba.
4. **Apriete a mano** la tapa para hacer un sello hermético. No utilice ninguna herramienta para apretar la tapa: **sólo apriete a mano**. Asegúrese de que todas las válvulas estén abiertas y las uniones estén apretadas.
5. Restablezca el suministro eléctrico a la bomba. A continuación, encienda la bomba siguiendo las instrucciones del manual correspondiente: Manual del propietario del Controlador de velocidad variable, H0311200, Manual del propietario del AquaLink® RS, 6593 o Manual del propietario del AquaLink PDA, H0572300.
6. Una vez que todo el aire haya salido del filtro, cierre la válvula de alivio de presión.
7. La bomba se deberá cebar. El tiempo que toma el cebado dependerá de la altura y la longitud de la tubería utilizada en el suministro de succión. Véase Sección 3.1.3.3, Recomendaciones de Instalación, para el aumento correspondiente del tamaño de la tubería.
8. Si la bomba no se ceba y todas las instrucciones se han seguido hasta este punto, revise si hay una fuga de succión. Si no hay fugas, repita los pasos 2 al 7.
9. Para obtener asistencia técnica, llame al Soporte Técnico Zodiac al 800.822.7933. En Canadá, llame al 1-888-647-4004.

## Sección 5. Servicio y mantenimiento

### 5.1 Mantenimiento de rutina

Inspeccionar la canasta de residuos de la bomba mirando a través de la tapa transparente. Elimine todos los residuos, ya que a medida que los residuos se acumulan, comenzarán a bloquear el flujo de agua a través de la bomba. Mantener la canasta limpia para mejorar el rendimiento de la bomba.

1. Apague la alimentación eléctrica de la bomba. Si la bomba se encuentra por debajo del nivel del agua, cerrar las válvulas de aislamiento en los lados de succión y descarga de la bomba para evitar el refluo de agua.
2. Girar el anillo de cierre de la tapa hacia la izquierda hasta que "START" se alinee con los puertos. Retire la tapa cuidadosamente. (Puede usar una herramienta para hacer palanca).

## PRECAUCIÓN

Una cesta desalineada hará que la tapa no quede correctamente asentada, permitiendo fugas de aire que podrían resultar en daños a la bomba.

3. Levante la canasta de la bomba.
4. Deseche los residuos y limpie a fondo la canasta, asegurándose de que todos los agujeros estén abiertos. Usando una manguera de jardín, rocíe la canasta desde afuera para ayudar a limpiar los agujeros. Elimine todos los residuos restantes con la mano.
5. Vuelva a colocar la canasta de la bomba mediante la alineación de la abertura con el tubo de succión. Si está alineada correctamente, la canasta caerá fácilmente en su lugar. **No la fuerce en su lugar.**
6. Retire la junta de la tapa y eliminar los residuos alrededor del asiento de la junta de la tapa, ya que esto puede permitir que el aire penetre en el sistema. Limpie la junta de la tapa y colóquela sobre la tapa.
7. Vuelva a colocar la tapa con anillo de cierre. **Apriete a mano** la tapa para hacer un sello hermético. No utilice ninguna herramienta para apretar la tapa: **sólo apriete a mano.**
8. Verifique que todas las válvulas hayan regresado a la posición adecuada para el funcionamiento normal.
9. Abra la válvula de alivio de presión en el filtro, y asegúrese de que está limpio y listo para funcionar.
10. Encienda la alimentación eléctrica de la bomba. Una vez que todo el aire haya salido del filtro, cierre la válvula de alivio de presión.

## 5.2 Preparación para el invierno

### PRECAUCIÓN

La bomba **debe** protegerse cuando se esperen temperaturas de congelación. Permitir que la bomba se congele le causará daños graves e invalidará la garantía.

### PRECAUCIÓN

**¡No use soluciones anticongelantes en los sistemas de piscina, spa, o jacuzzi!** El anticongelante es altamente tóxico y puede dañar el sistema de circulación. La única excepción a esto es el propilenglicol. Para más información, consulte en su tienda proveedora de artículos de piscina/spa o póngase en contacto con una empresa calificada de servicios de piscina.

1. Drene **toda** el agua de la bomba, el equipo del sistema y las tuberías.
2. Retire los dos (2) tapones de drenaje. Almacene los tapones de drenaje en un lugar seguro y reinstálelos cuando la temporada de frío haya terminado. **Asegúrese de que no se pierdan los anillos tóricos de los tapones de drenaje.**
3. Mantenga el motor cubierto y seco. No cubra la bomba con el plástico, esto creará condensación que puede dañarla.

- NOTA** Zodiac Pool Systems, Inc. recomienda que un técnico de servicio calificado o un electricista desconecte correctamente el cableado eléctrico en la caja de interruptores o de conexiones. Una vez que se retire la electricidad, afloje las dos (2) uniones y almacene la bomba bajo techo. Por razones de seguridad, y para evitar la entrada de contaminantes, reinstale todos los conductos y tapas de la caja de terminales.
4. Cuando el sistema se vuelva a abrir para la operación, llame a un técnico calificado o un electricista para que se asegure de que todas las tuberías, válvulas, cableado y el equipo estén de acuerdo con las recomendaciones del fabricante. Preste mucha atención a las conexiones eléctricas y el filtro.
  5. La bomba debe ser cebada antes de comenzar. Véase la Sección 4.1, Arranque.



## Sección 6. Localización de averías y reparación

Zodiac le recomienda que llame a un técnico calificado para realizar cualquier reparación en el sistema de filtro/bomba. Para localizar a un técnico calificado, consulte las páginas amarillas o [www.zodiacpoolsystems.com](http://www.zodiacpoolsystems.com) o [www.zodiacpoolsystems.ca](http://www.zodiacpoolsystems.ca) y haga clic en “Soporte Técnico”.

### 6.1 Diagnóstico y solución de problemas

Síntoma	Posible causa / Solución
El sistema de limpieza/circulación no está funcionando correctamente.	<p>Verifique que las canastas de rebose, cesta de la bomba y otras pantallas estén limpias. Limpie de ser necesario.</p> <p>Revise el filtro y límpielo de ser necesario.</p> <p>Revise las posiciones de la válvula. Ajuste de ser necesario.</p> <p>NOTA Múltiples equipos funcionando a la vez (por ejemplo, cascadas, chorros de hidromasaje y retornos superficiales) afectarán el buen funcionamiento del sistema de limpieza.</p> <p>Consulte el manual del sistema de limpieza para asegurarse de que el sistema se ajuste a las recomendaciones del fabricante.</p>
Hay burbujas en la canasta de la bomba.	<p>Hay aire en el sistema. Compruebe el nivel de agua de la piscina o spa para asegurarse de que esté en el nivel apropiado y no se esté introduciendo aire en la tubería de succión. Si el agua está en el nivel normal, apague la bomba. Gire el anillo de cierre de la tapa hacia la izquierda hasta que la marca "START"(arranque) se alinee con los puertos. Retire la tapa y compruebe si hay residuos alrededor del asiento de la junta sello de la tapa, o si hay una instalación inadecuada de la junta de la tapa, ya que cualquiera de esas condiciones permitirá que el aire penetre en el sistema. Limpie la junta de la tapa y vuelva a colocarla en la tapa. Vuelva a colocar la tapa de la carcasa de la bomba. Alinee "START" (arranque) con los puertos y gire el anillo de bloqueo hacia la derecha hasta que la marca "LOCKED" (bloqueado) se alinee con los puertos. <b>Apriete a mano</b> la tapa para hacer un sello hermético. <b>No utilice ninguna herramienta para apretar la tapa.</b> Encienda la bomba de nuevo.</p>
Las fugas de aire están todavía presentes.	<p>Compruebe la unión del lado de succión de la tubería. Con la bomba en funcionamiento, trate de apretar la unión. Si esto no detiene la fuga de aire, apague la bomba. Afloje ambas uniones y deslice la bomba a un lado. Extraiga, limpie y vuelva a instalar tanto la unión como la junta tórica.</p> <p>Vuelva a colocar la bomba al lado de la tubería y asegure las tuercas de unión a la bomba. Con las juntas de unión limpias, el apretado manual será suficiente como para crear el sello. Si las uniones aún no sellan, apriete suavemente con un alicate extensible.</p> <p><b>No apriete demasiado.</b></p>
No hay aire en el sistema, pero la presión sigue siendo baja.	<p>Es posible que haya residuos atrapados en el impulsor de la bomba. El impulsor de la bomba mueve el agua y las paletas de la turbina pueden bloquearse con residuos. Véase la <i>Sección 6.2, Servicio técnico de mantenimiento, 6.2.1, Impulsor bloqueado</i>, en este manual para mayor información.</p>
No hay residuos en el impulsor y la presión aún es baja.	<p>El impulsor de la bomba y el difusor están mostrando señales de desgaste normal. Permita que un técnico de servicio calificado revise el impulsor y el difusor y los reemplace si es necesario.</p> <p>Si la bomba es parte de una instalación relativamente nueva, podría ser un problema eléctrico. Contacte a un técnico calificado. Permita que el técnico verifique si hay conexiones eléctricas sueltas y que compruebe el voltaje en el motor con la bomba en funcionamiento. El voltaje debe estar dentro del 10% de los datos indicados en su placa de datos. Si el voltaje no está dentro del 10%, contáctese con un electricista calificado y/o el proveedor del servicio de electricidad local.</p> <p>El sello de la bomba tiene fugas de aire. Permita que un técnico de servicio calificado reemplace el sello.</p>

Síntoma	Posible causa / Solución
La bomba tiene una fuga de agua entre el motor y el cuerpo de la bomba.	Esto es causado por un sello mecánico dañado. Sustituya el sello. Véase la <i>Sección 6.2, Servicio técnico de mantenimiento, 6.2.3, Reemplazo del sello mecánico</i> , en este manual.
La bomba se calienta y se apaga de forma periódica.	Asegúrese de que haya suficiente espacio alrededor del motor para que el aire circule y mantenga fresco el motor. Permita que el técnico verifique si hay conexiones eléctricas sueltas y que compruebe el voltaje en el motor con la bomba en funcionamiento. El voltaje debe estar dentro del 10% de los datos indicados en su placa de datos. Si el voltaje no está dentro del 10%, contáctese con un electricista calificado y/o el proveedor del servicio de electricidad local.
La bomba no arranca.	<p>No hay energía eléctrica en la bomba.</p> <p>Asegúrese de que la bomba esté correctamente conectada a alta tensión. La lucecita en la parte superior de la caja electrónica debe estar iluminada. Véase la <i>Sección 3.2, Instalación eléctrica</i>, en este manual.</p> <p>Cableado inadecuado de bajo voltaje.</p> <p>Revise si hay cableado de bajo voltaje entre la bomba y el controlador. Corrija si es necesario. Véase la <i>Sección 3.2, Instalación eléctrica</i>, en este manual.</p> <p>Configuración incorrecta de la dirección de la bomba.</p> <p>Asegúrese de que los interruptores DIP 3 y 4 de la bomba se hayan configurado correctamente para la instalación. Ambos deben estar en "OFF" (apagado) para su uso con el controlador de velocidad variable o configurados en la dirección correcta cuando se conectan a un controlador AquaLink® RS o con un AquaLink PDA. Véase la <i>Sección 3.3, Bomba VS-FHP Configuración de los interruptores DIP</i>, en este manual.</p> <p>Hay una condición de falla.</p> <p>Vea el mensaje de error en el controlador y corrija la falla antes de continuar. Si no está seguro de cómo corregir la falla, póngase en contacto con soporte técnico en 800.822.7933. En Canadá, llame al 1-888-647-4004.</p>
La pantalla LCD del controlador de velocidad variable no muestra la información o Las lucecitas de la bomba no están encendidas.	<p>Configuración incorrecta de los interruptores DIP.</p> <p>Asegúrese de que ambos interruptores DIP 1 y 2 estén en "ON" (encendido) si el controlador es JEP-R y que ambos interruptores DIP 1 y 2 estén en "OFF" (apagado) si el controlador es el PDA o AquaLink RS. Véase la <i>Sección 3.3, Bomba VS-FHP Configuración de los interruptores DIP</i>, en este manual.</p> <p>Cableado inadecuado de bajo voltaje.</p> <p>Revise si hay cableado de bajo voltaje entre la bomba y el controlador. Corrija si es necesario. Véase la <i>Sección 3.2, Instalación eléctrica</i>, en este manual.</p>
El controlador muestra "Pump not connected" (bomba no conectada).	<p>Cableado inadecuado de bajo voltaje.</p> <p>Revise si hay cableado de bajo voltaje entre la bomba y el controlador. Corrija si es necesario. Véase la <i>Sección 3.2, Instalación eléctrica</i>, en este manual.</p> <p>Configuración incorrecta de la dirección de la bomba.</p> <p>Asegúrese de que los interruptores DIP 3 y 4 de la bomba se hayan configurado correctamente para la instalación. Ambos deben estar en "OFF" (apagado) para su uso con el controlador de velocidad variable o configurados en la dirección correcta cuando se conectan a un controlador AquaLink RS o con un AquaLink PDA. Véase la <i>Sección 3.3, Bomba VS-FHP Configuración de los interruptores DIP</i>, en este manual.</p>
Aparece un mensaje de error en la pantalla del controlador.	<p>Hay una condición de falla.</p> <p>Vea el mensaje de error en el controlador y corrija la falla antes de continuar. Si no está seguro de cómo corregir la falla, póngase en contacto con soporte técnico en 800.822.7933. En Canadá, llame al 1-888-647-4004.</p>

## 6.2 Servicio técnico de mantenimiento

### ⚠ ADVERTENCIA

Este producto debe ser instalado y mantenido por un técnico profesional de mantenimiento, especializado en piscinas/spas. Los procedimientos indicados en este manual se deben seguir con exactitud. Una instalación inadecuada puede crear riesgos eléctricos peligrosos, que pueden causar altas tensiones a través del sistema eléctrico. Esto puede ocasionar daños a la propiedad, lesiones personales e incluso la muerte. Una instalación inadecuada anulará la garantía.

### 6.2.1 Impulsor bloqueado

### ⚠ ADVERTENCIA

Antes de reparar la bomba, apague los interruptores de la fuente de alimentación eléctrica. Graves lesiones personales o la muerte puede ocurrir si la bomba se arranca con la mano dentro de la bomba.

1. Apague la bomba. Apague el interruptor del circuito del motor de la bomba.
2. Retire la tapa y la canasta.
3. Busque residuos dentro de la bomba. Retire los residuos encontrados adentro.
4. Vuelva a colocar el cesto y la tapa.
5. Encienda el interruptor del circuito del motor de la bomba.
6. Encienda la bomba, y vea si el problema está resuelto.
7. Si el impulsor sigue bloqueado con residuos y no es posible eliminarlos con los pasos 2 a 4, la bomba tendrá que ser desmontada para acceder a la entrada y la salida del impulsor.

### 6.2.2 Extracción y sustitución del impulsor

### ⚠ ADVERTENCIA

Antes de reparar la bomba, apague los interruptores de la fuente de alimentación eléctrica. Graves lesiones personales o la muerte puede ocurrir si la bomba se arranca con la mano dentro de la bomba.

1. Apague la bomba. Apague el interruptor del circuito del motor de la bomba. Si no va a sustituir el motor, no desconecte el cableado eléctrico.

**NOTA** Si va a sustituir el motor, Zodiac Pool Systems, Inc. recomienda que un técnico de servicio calificado o un electricista desconecte correctamente el cableado eléctrico en el motor de la bomba.

2. Apague todas las válvulas para evitar que agua de la piscina de llegue a la bomba. Drene el agua de la bomba aflojando las uniones o la retirando los tapones de drenaje.

3. Utilizando una llave 9/16", afloje los pernos que conectan el cuerpo de la bomba a la placa posterior del motor. Véase la Figura 13.
4. Extraiga el motor y la placa posterior fuera del cuerpo de la bomba. Retire la junta tórica de la bomba. El impulsor está conectado al eje del motor.

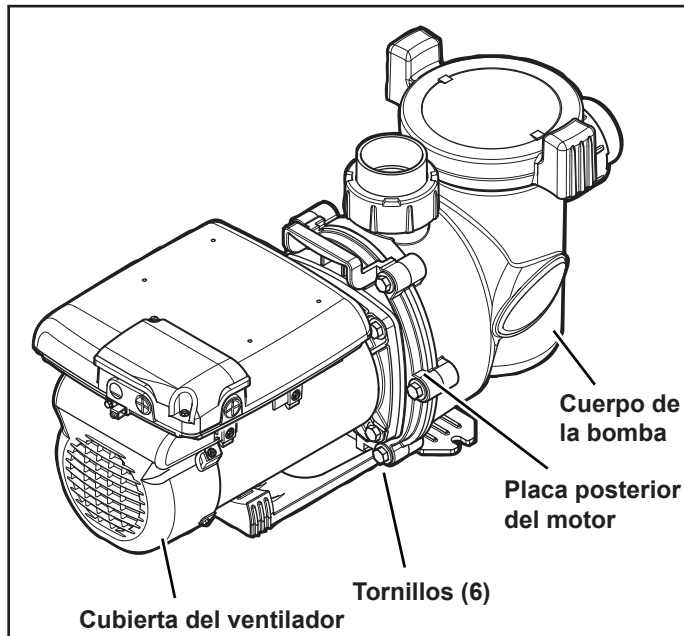


Figura 13. Retire la cubierta de la bomba

5. Utilizando un destornillador Phillips N° 1, retire los dos (2) tornillos que sujetan el difusor. (El difusor es la tapa sobre el impulsor.) Luego retire el difusor (Véase la Figura 14).
6. Acceda a la entrada y salida del impulsor y elimine los residuos.
7. Sostenga el eje del motor expuesta con una llave Allen hexagonal de ¼" y quite el tornillo central del impulsor usando un destornillador Phillips N° 2. Gire el tornillo de rosca invertida hacia la derecha para aflojarlo. Véase la Figura 15.

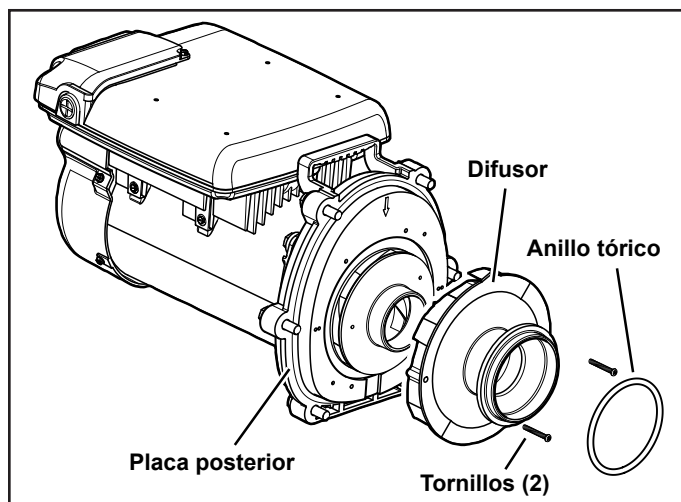


Figura 14. Retire el difusor

8. Sostenga el eje del motor con una llave Allen hexagonal 1/4" mientras desenrosca el impulsor del eje del motor con la mano. Gire el impulsor hacia la izquierda para desenroscarlo.
9. Inspeccione el impulsor y el difusor por signos de roce y/o daños.

### 6.2.2.1 Rearmado del impulsor

1. Presione el nuevo sello de superficie carbono (vea las Figuras 16 y 17) en el eje del motor con un movimiento de torsión. Asegúrese de que la superficie de carbono quede mirando hacia el anillo de cerámica en la placa posterior.

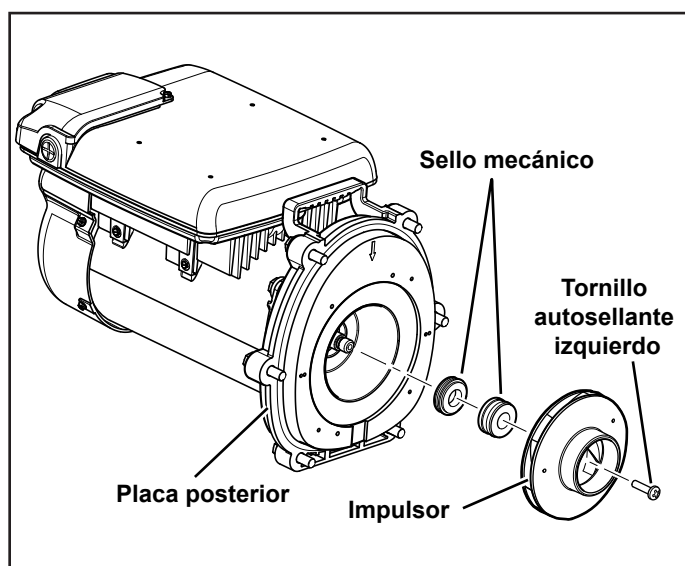


Figura 15. Retire el impulsor

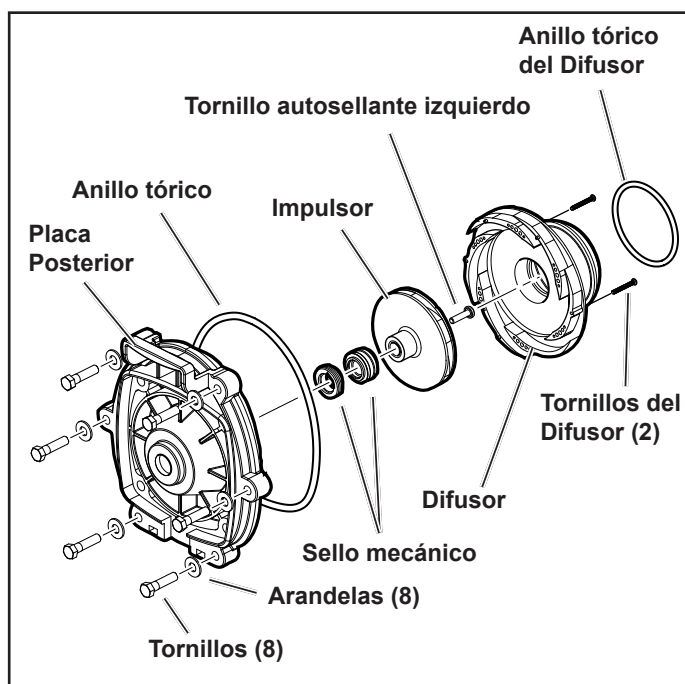


Figura 16. Plano de despiece del difusor e impulsor

## PRECAUCIÓN

**Muy importante!** Para evitar daños en el sello, cuando lo instale sujete su parte inferior (opuesta a la cara de carbono).

**NOTA** Para ayudar en el montaje, use **solamente** agua o agua y jabón como lubricante. Cualquier otro lubricante destruirá el sello después de un período corto de tiempo.

**NOTA** Asegúrese de mantener las partes del sello y cobertura limpias.

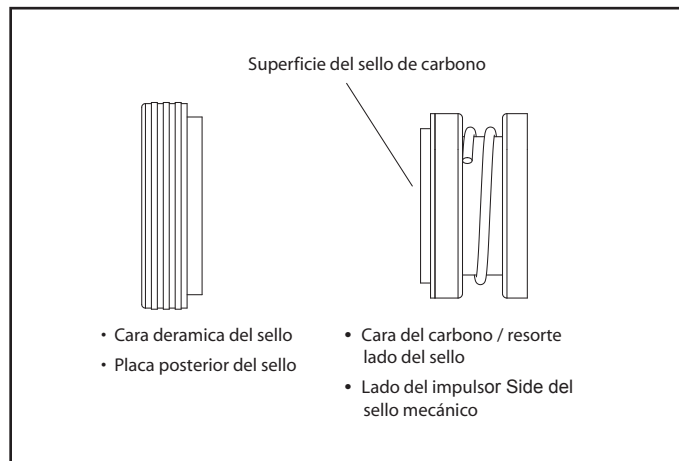


Figura 17. Sello Mecánico

2. Mientras sostiene el eje del motor con una llave allen hexagonal de 1/4", inserte el impulsor en el eje del motor. Apriete a mano el impulsor hasta que quede asegurado. **No apriete demasiado.**
3. Inserte y gire el tornillo de rosca invertida del impulsor hacia la izquierda para apretarlo.
4. Vuelva a colocar la cubierta del ventilador colocando los tornillos.
5. Vuelva a colocar el difusor en el impulsor, con cuidado al insertar los pasadores de alineación en los agujeros correctos. La flecha moldeada en él debe apuntar hacia el mango de la placa posterior.
6. Vuelva a colocar los dos (2) tornillos Phillips pequeños. Apriete los tornillos para sacar el difusor contra la placa posterior del motor.
7. Para ayudar a prevenir una pérdida de aire en el sistema, asegúrese de que la junta tórica del difusor, la ranura de la junta tórica y su sello estén limpios y libres de residuos. Si retiró la junta tórica del difusor, asegúrese de instalarla en la ranura de donde la extrajo. (Véase la Figura 18.) Si usa grasa para retener el anillo tórico, **debe** ser a base de silicona, **No use grasa a base de petróleo.** Destruirá la junta tórica.

8. Deslice el difusor en el agujero de acoplamiento en el cuerpo de la bomba. Mientras sujeta el motor comience colocando dos (2) tornillos en lados opuestos. (Esto mantendrá el motor en posición mientras empieza con los otros seis (6) tornillos.)

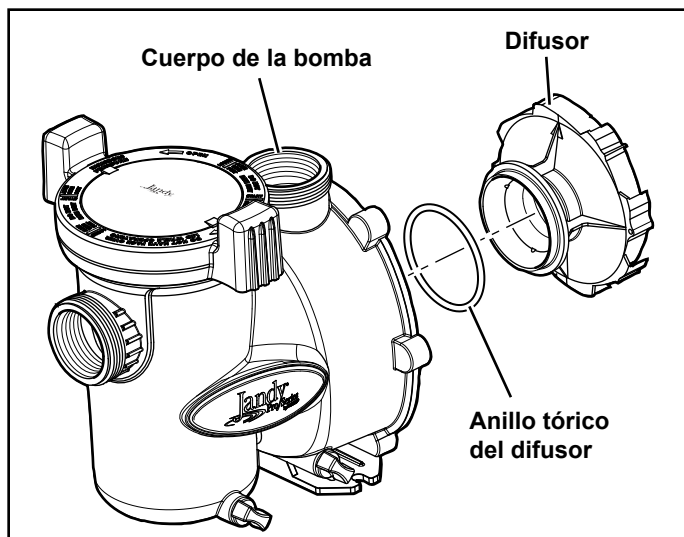


Figura 18. Plano de despiece del cuerpo de la bomba y del difusor

9. Apriete los tornillos ligeramente en un patrón cruzado de "X" con una llave 9/16". Comience con los cuatro (4) del interior (centro), luego los cuatro (4) del exterior (arriba y abajo) para colocar la placa posterior en el cuerpo de una manera uniforme. Una vez que todos los tornillos estén ajustados, apriételos en el mismo orden con una llave de torque hasta 10 libras-pie.
10. Si la bomba se encuentra por encima del nivel del agua de la piscina, retire la tapa y llene la cesta con agua antes de arrancar la bomba.
11. Para ayudar a evitar una fuga de aire en el sistema, elimine los residuos alrededor del asiento junta de la tapa.
12. **Apriete a mano** la tapa para hacer un sello hermético.  
**No utilice ninguna herramienta para apretar la tapa.**
13. Abra la válvula de alivio de presión en el filtro y asegúrese de que esté limpio y listo para funcionar.
14. Encienda el interruptor del circuito del motor de la bomba.
15. Encienda la bomba y verifique el funcionamiento normal del sistema.
16. Una vez que todo el aire haya salido del filtro, cierre la válvula de alivio de presión.

### 6.2.3 Reemplazo del sello mecánico

**NOTA** Éste es un proceso de sustitución de dos partes.  
**El sello mecánico debe ser reemplazado como un conjunto.**

**NOTA** Consulte la Figura 19 para ver una ilustración de la ubicación del sello mecánico y el impulsor.

## PRECAUCIÓN

No dañe las superficies de cerámica o de carbono de los sellos. Si se dañan las superficies, habrá fugas.

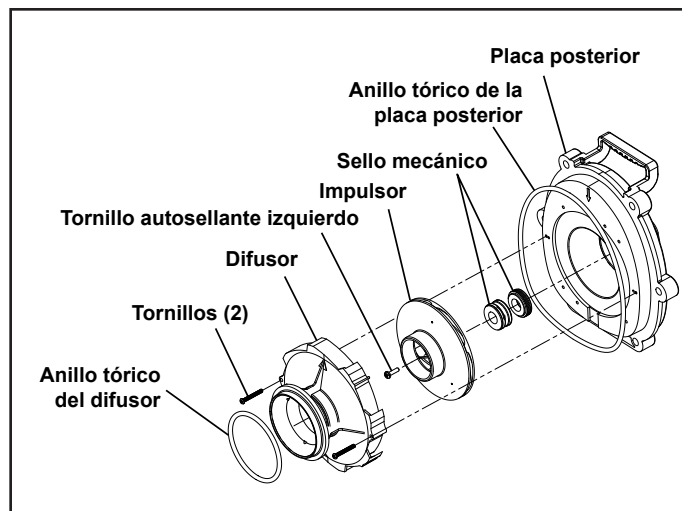


Figura 19. Plano de despiece mecánico de la placa posterior, del impulsor, del difusor

1. Para acceder a la junta mecánica, véase la Sección 6.2.2, Extracción y sustitución del impulsor.
2. Retire el sello de carbono del eje del motor (véase Figura 15). Éste es un sello con resorte. Sujete la parte de la junta más cercana al cuerpo del impulsor y quite el sello con un movimiento de torsión.
3. Retire el motor de la placa posterior, siguiendo los pasos en la Sección 6.2.4, Sustitución del motor.
4. Coloque la placa posterior con el lado de la junta tórica hacia abajo y saque el sello de cerámica hacia afuera utilizando un destornillador.
5. Gire la placa posterior con el lado de la junta tórica hacia arriba e inserte el nuevo sello de cerámica. Tenga mucho cuidado de no presionar la junta en ángulo recto con los dedos. La cerámica es muy delicada y se debe introducir usando sólo los dedos o herramientas blandas. No use ningún lubricante que no sea agua o agua con jabón.
6. Instale la placa posterior, siguiendo los pasos pertinentes en la Sección 6.2.2.1, rearmado del impulsor.
7. Instale el motor, siguiendo los pasos de la Sección 6.2.4, de reemplazo del motor.

### 6.2.4 Reemplazo del motor

## IMPORTANTE

Esta bomba debe instalarse con un controlador de velocidad variable de dos o varios motores.

## ⚠ ADVERTENCIA

Para mantener la seguridad y una operación confiable, los sistemas de Zodiac® requieren que se reemplace el motor con otro que tenga idéntica capacidad en HP y factor de servicio (solamente aprobadas por Zodiac Pool Systems, Inc).

1. Permita que un técnico de servicio calificado o un electricista desconecte correctamente el cableado eléctrico en el motor de la bomba.

## ⚠ ADVERTENCIA

### RIESGO DE CHOQUE ELÉCTRICO

Apague todos los interruptores y el interruptor principal en el circuito eléctrico de la bomba VS-FHP antes de iniciar el procedimiento. Espere cinco (5) minutos después de desconectar la alimentación y antes de abrir el motor. El incumplimiento de esta recomendación puede causar un riesgo de electrocución, que puede dar como resultado lesiones personales severas incluso la muerte.

2. Para retirar la carcasa de la bomba del motor, véase la Sección 6.2.2, Remoción y reemplazo del impulsor.
3. Tenga en cuenta la alineación de la placa posterior del motor, como se muestra en la figura 20. Coloque la placa posterior del motor con el lado de la junta tórica hacia abajo, desatornille los cuatro tornillos de 9/16" y quite el motor.
4. Al instalar un nuevo motor, retire la tapa protectora plástica del eje del motor. Coloque el motor sobre la placa posterior de manera que la abertura quede hacia la cara de la placa posterior. El controlador de la electrónica en el motor debe estar en la posición de las 12.
5. Sustituya los cuatro (4) tornillos y arandelas que sostienen la placa del motor y apriete hasta un torque de 15 lb-pie. Véase Figura 20.
6. Para volver a montar la placa de montaje a la carcasa, véase la Sección 6.2.2.1, Rearmado del impulsor.
7. Si la bomba se encuentra por encima del nivel del agua de la piscina, retire la tapa y llene la canasta con agua antes de arrancar la bomba.

8. Para evitar una fuga de aire en el sistema, elimine los residuos alrededor del asiento de la junta de la tapa.
9. **Apriete a mano** la tapa para hacer un sello hermético.  
**No utilice ninguna herramienta para apretar la tapa.**
10. Abra la válvula de alivio de presión en el filtro y asegúrese de que esté limpio y listo para funcionar.
11. Permita que un técnico de servicio calificado o un electricista conecte correctamente los cables eléctricos en el motor de la bomba.
12. Encienda el suministro eléctrico al motor de la bomba utilizando el controlador y compruebe el normal funcionamiento del sistema.

**NOTA** Para obtener instrucciones sobre el funcionamiento del controlador, consulte el manual apropiado: manual del propietario del controlador de velocidad variable, H0311200, o el manual del propietario del controlador RS AquaLink®, 6593, o el manual del propietario del controlador AquaLink PDA, H0572300.

13. Una vez que todo el aire haya salido del filtro, cierre la válvula de alivio de presión.

**NOTA** Zodiac Pool Systems, Inc. recomienda que los sellos mecánicos se sustituyan al mismo tiempo que se sustituye el motor. Véase la Sección 6.2.3, Reemplazo del sello mecánico para más detalles.

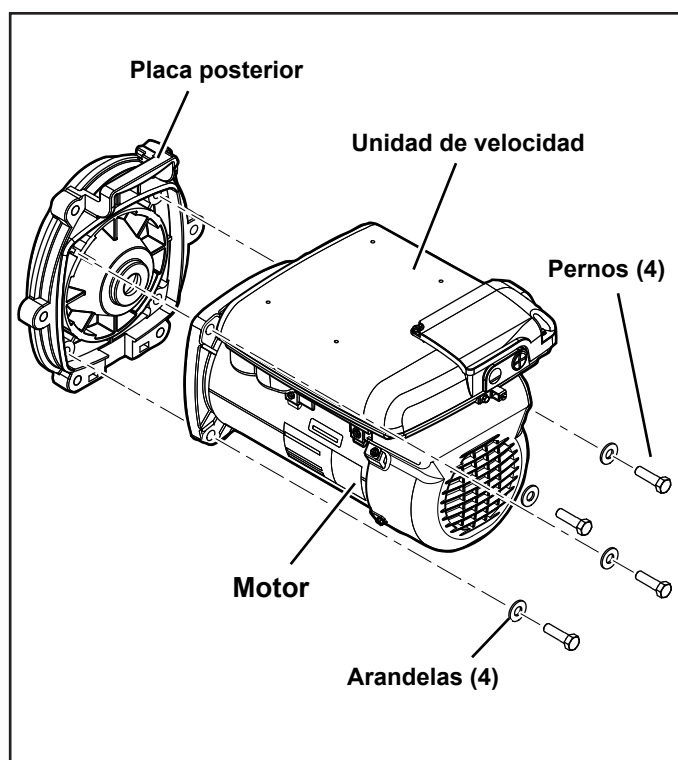


Figura 20. Montaje de la placa posterior

## Sección 7. Especificaciones del producto y datos técnicos

### 7.1 Lista de piezas de repuesto y plano de despiece

Para ordenar o comprar piezas para las bombas Zodiac®, contacte su distribuidor Zodiac más cercano. Si el concesionario Zodiac no le puede proporcionar lo que usted necesita, póngase en contacto con el soporte técnico de Zodiac en 1.800.822.7933 o envíe un mensaje de correo electrónico a [productsupport@zodiac.com](mailto:productsupport@zodiac.com). En Canadá, 1-888-647-4004 [customerservice PSC@zodiac.com](mailto:customerservice PSC@zodiac.com)

Clave N°	Descripción	Pedido N° de pieza.
1	Motor GEN II, velocidad variable con control	R0562200
2	Placa posterior, (placa posterior con accesorios, anillo tórico de la placa posterior y sello mecánico)	R0479500
3	Impulsor, (impulsor, tornillo con el anillo tórico, y anillo tórico de la placa posterior)	R0479605
4	Difusor, (difusor con el anillo tórico, accesorios y anillo tórico de la placa posterior)	R0479701
5	Sellos mecánicos de carbón y cerámica (1 juego)	R0479400
6	Cuerpo de la bomba (cuerpo y anillo tórico de la placa posterior)	R0479800
7	Base de soporte del motor	R0479900
8	Tapa con anillo de bloqueo, (tapa con anillo de bloqueo y anillo de bloqueo)	R0480000
9	Bomba de residuos y canasta filtro	R0480100
10	Tapón de drenaje con anillo tórico (juego de 2)	R0446000
11	Pieza de cola, tuerca de unión y anillo tórico (juego de 2)	R0327301
12	Anillo tórico de la tapa	R0480200
13	Anillo tórico de la placa posterior	R0480300
14	Anillo tórico de la pieza de la parte trasera (Juego de 2)	R0337601
15	Accesorios del difusor/impulsor (anillo tórico del difusor, tornillos (2), tornillo de sello)	R0480400
16	Accesorios de la placa posterior (placa posterior y su anillo tórico)	R0480500
17	Conjunto de accesorios para el motor	R0446700
18	Conjunto de la base de la bomba	R0486700
19	Cubierta del ventilador, conjunto de reemplazo de la Gen II (accesorios, cubierta)	R0562400
20	Accesorios del control de velocidad, Gen II	R0562500
21	Conector, control de velocidad, bomba VS-FHP (Conector de 4 pines)	R0660900
22	Cable, RS485, conjunto de reemplazo	R0535100
23	Tornillo con anillo tórico	R0515400
24	Cubierta, principal, control de velocidad con empaquetadura, Gen II	R0562300
25	Base espaciador, FHP, VS-FHP, Kit de reemplazo	R0546400
26	Cable de datos, a través de alimentación	R0501100

### 7.2 Plano de despiece

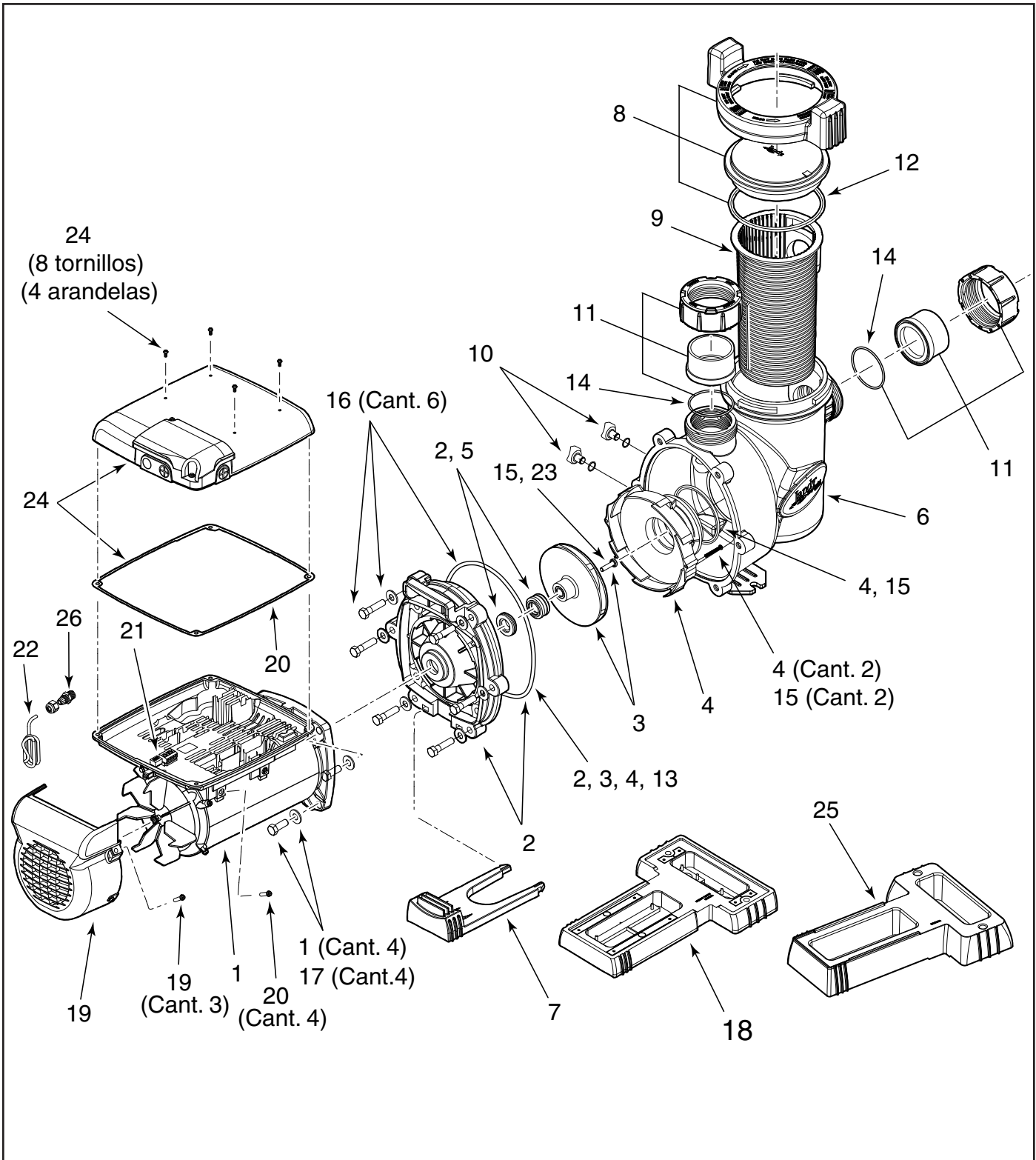
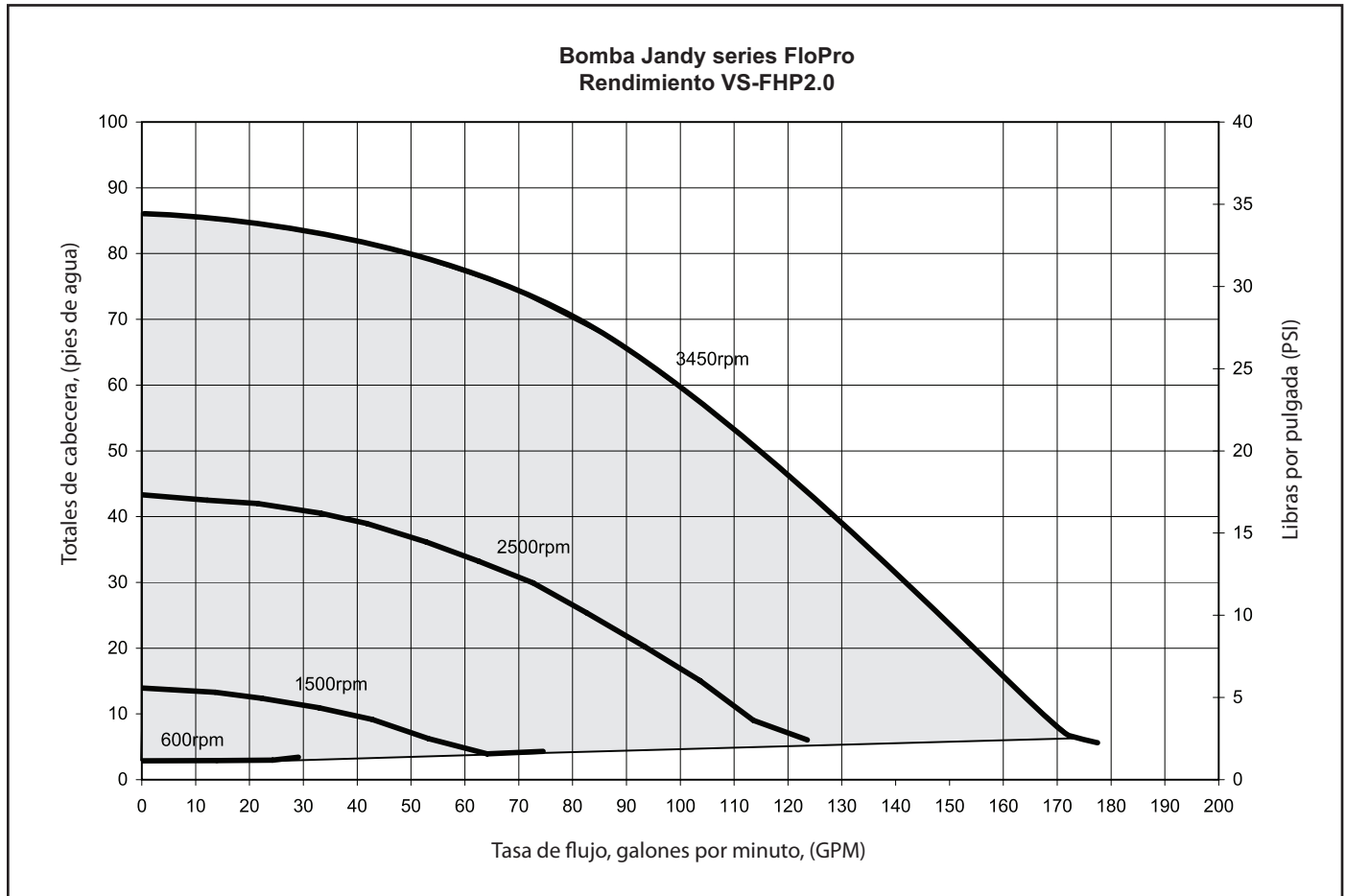


Figura 21. Plano de despiece de la bomba VS-FHP



### 7.3 Curvas de rendimiento



## 7.4 Especificaciones físicas y operacionales

### 7.4.1 Especificaciones

N° de modelo	HP	Voltaje	Vatios	Tamaño de la tubería	Peso de la caja	Longitud total 'A'
VS-FHP 2.0	2.0	230 VAC	2,400 W	2½ - 3" (6,3 - 7,6 cm)	56 lb. (25 kg.)	27 3/16" (69 cm)

### 7.4.2 Dimensiones

La Tabla 4 muestra la altura de la bomba FHP en las tres (3) configuraciones de montaje que se mencionan a continuación. Las Figuras 3, 4 y 7, en la página 66, muestran las ilustraciones de estas tres (3) configuraciones.

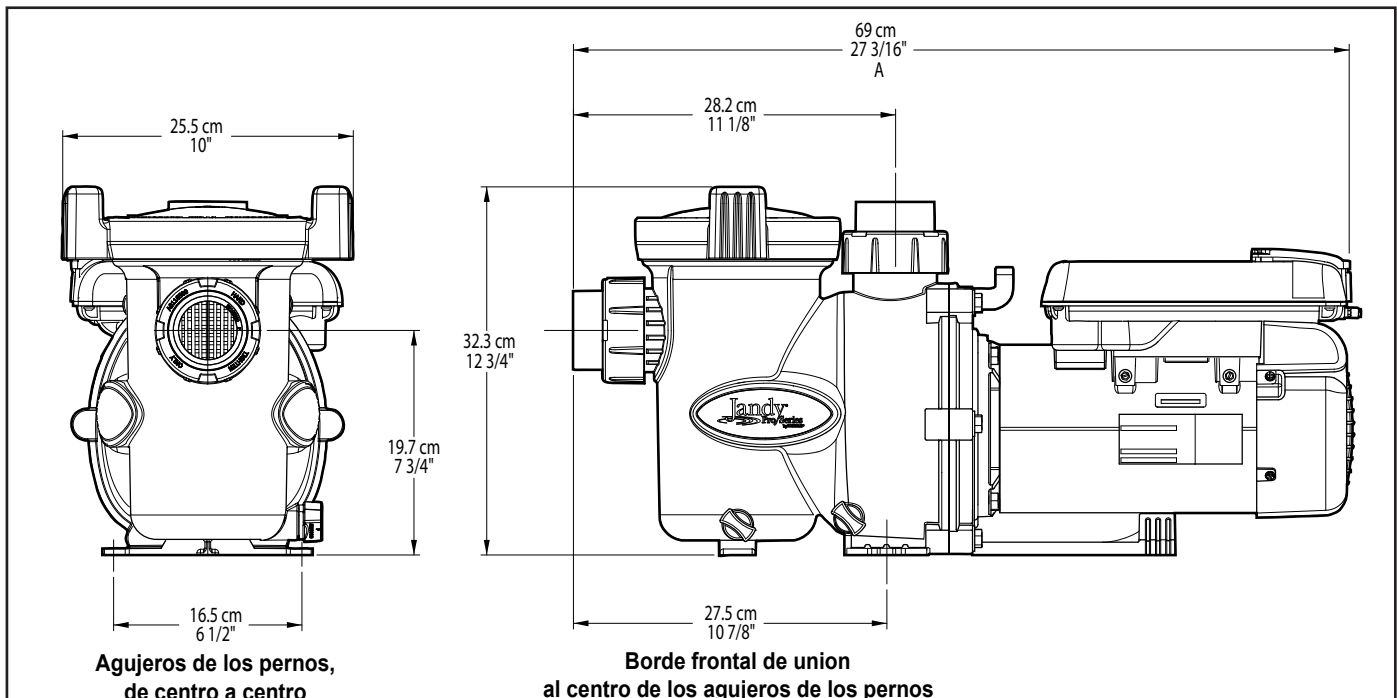
1. Sin la base FHP
2. Con la base FHP
3. Con la base FHP y espaciadores

El ancho de la base FHP (con o sin espaciadores) es de 8 7/8" (22,5 cm).

**Tabla 4. Dimensiones de las configuraciones FHP**

Base de configuración	Altura de lado de la succión	Altura de la bomba
Bomba sin la base	19,7 cm (7 ¾")	32,4 cm (12 ¾")
Bomba con la base	22,5 cm (8 7/8")	35,2 cm (13 7/8")
Bomba con base y espaciadores	23,2 cm (9 1/8")	35,9 cm (14 1/8")

La figura de abajo muestra las dimensiones (alto, ancho y largo) de la bomba FHP sin la base y los espaciadores FHP.



**NOTA** Cuando se instale la bomba, deje un mínimo de 30 cm de espacio libre por encima de la bomba para la extracción de la canasta del filtro.

## 7.5 Guía de reemplazo del motor

Modelo de bomba	Jandy
VS-FHP 2.0	R0562200

## NOTAS



**Intertek**

Cumple con las normas UL 1081  
Certificado por CSA C22.2 N° 108



Zodiac Pool Systems Canada, Inc.  
2115 South Service Road West, Unit 3 Oakville, ON L6L 5W2  
1-888-647-4004 | [www.ZodiacPoolSystems.ca](http://www.ZodiacPoolSystems.ca)

Zodiac Pool Systems, Inc.  
2620 Commerce Way, Vista, CA 92081  
1.800.822.7933 | [www.ZodiacPoolSystems.com](http://www.ZodiacPoolSystems.com)

ZODIAC® es una marca registrada de Zodiac International, S.A.S.U., utilizada bajo licencia.  
Todas las marcas registradas mencionadas en este documento son propiedad de sus respectivos propietarios.

©2012 Zodiac Pool Systems, Inc. H0340900 Rev C 1206

