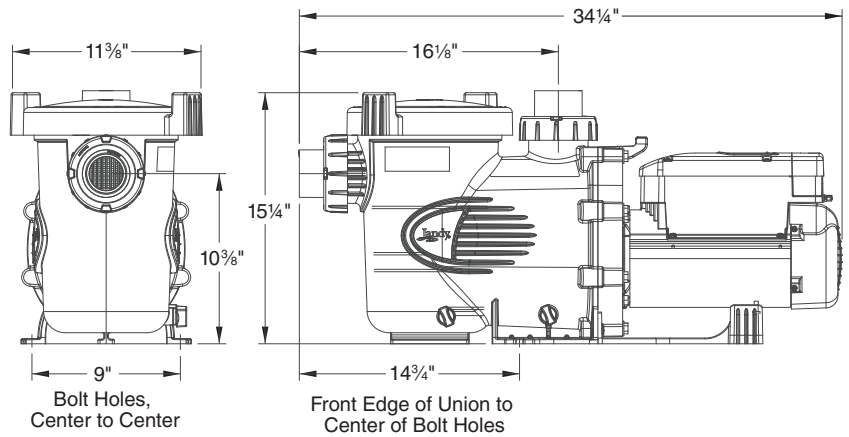




Technical Specifications

ePump™ Variable Speed Pumps



Part No.	Description	HP
JEP1.5	ePump Variable Speed Pump	1.5 HP
JEP2.0	ePump Variable Speed Pump	2.0 HP

Replacement Motor Guide	
Pump Model	A.O. Smith/Century
JEP2.0	M48A40D58
JEP1.5	M48A42D58

ePump Specifications

Full Rated Pumps						
Model No.	HP	Voltage	Watts	Pipe Size	Carton Weight	Overall Length
JEP1.5	0.25–2.2	208–230VAC	2,100 W	2½–3"	71.5 lbs.	34¼"
JEP2.0	0.25–2.7	208–230VAC	2,300 W	2½–3"	71.5 lbs.	34¼"

When installing the pump, leave a minimum of 2 ft. of clearance above the pump for removal of strainer basket.

Recommended Minimum Wire Size For ePump Series Pumps*					
Distance from Sub-panel		0–50 Feet	50–100 Feet	100–150 Feet	150–200 Feet
Model	Branch Fuse AMPS Class: CC, G, H, J, K, RK, or T	Voltage	Voltage	Voltage	Voltage
	230 VAC	208–230 VAC	208–230 VAC	208–230 VAC	208–230 VAC
JEP2.0	20A	12	10	8	6
JEP1.5	20A	12	10	8	6

*Assumes three (3) copper conductors in a buried conduit and 3% maximum voltage loss in branch circuit. All National Electrical Code (NEC) and local codes must be followed. Table shows minimum wire size and branch fuse recommendations for typical installation per NEC.

JEP Performance Curves

