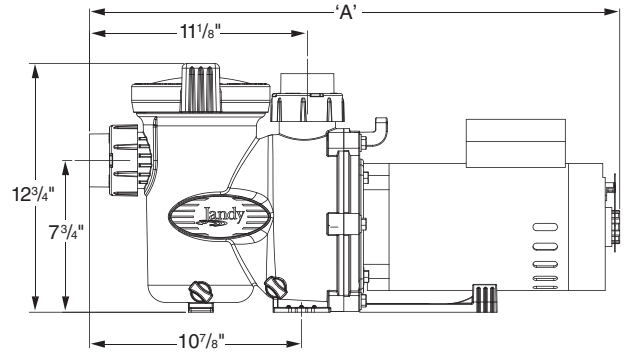


Bolt Holes,
Center to Center



Front Edge of Union to
Center of Bolt Holes

Part No.	Description	HP
Max (Up) Rated Pumps		
FHPM.75	FloPro Med. Head Pump, 230/115VAC	.75 HP
FHPM1.0	FloPro Med. Head Pump, 230/115VAC	1.0 HP
FHPM1.5	FloPro Med. Head Pump, 230/115VAC	1.5 HP
FHPM2.0	FloPro Med. Head Pump, 230/115VAC	2.0 HP
FHPM2.5	FloPro Med. Head Pump, 230VAC	2.5 HP

Part No.	Description	HP
Max (Up) Rated, 2 Speed Pumps		
FHPM1.0-2	FloPro Med. Head Pump, 230VAC	1.0 HP
FHPM1.5-2	FloPro Med. Head Pump, 230VAC	1.5 HP
FHPM2.0-2	FloPro Med. Head Pump, 230VAC	2.0 HP

FloPro Specifications

FHPM Pump Specifications						
Model No.	HP	Voltage	Amps	Pipe Size	Carton Weight	Overall Length 'A'
FHPM .75	0.75	230/115	5.4/10.8	1½–2"	40.6 lbs.	25 3/16"
FHPM 1.0	1.00	230/115	7.1/14.2	2–2½"	41.2 lbs.	25 3/16"
FHPM 1.5	1.50	230/115	8.0/16	2–2½"	42.6 lbs.	25 1/2"
FHPM 2.0	2.00	230/115	11.2/22.4	2–2½"	54.6 lbs.	27 3/16"
FHPM 2.5	2.50	230	11.5	2½–3"	48.6 lbs.	26 3/16"
FHPM 1.0-2-SPD	1.00	230	7.1/2.3	2½–3"	46.5 lbs.	26 5/16"
FHPM 1.5-2SPD	1.50	230	8.0/3.0	2½–3"	48.0 lbs.	26 9/16"
FHPM 2.0-2SPD	2.00	230	11.2/3.5	2½–3"	52.9 lbs.	27 11/16"

When installing pump provide the following: 1) a minimum of 2 ft. of clearance above the pump for removal of strainer basket and 2) a minimum of 8" of clearance behind the motor for removal of motor.

FloPro™ Specifications

FHPM Replacement Motor Guide		
FHPM Pump Model	A.O. Smith Centurion Model	Westinghouse Motor Technologies Model
FHPM 0.75	852	" 852
FHPM 1.0	853	" 853
FHPM 1.5	854	" 854
FHPM 2.0	859	" 859
FHPM 2.5	840	" 840
FHPM 1.0-2SPD	980	" 980
FHPM 1.5-2SPD	982	" 982
FHPM 2.0-2SPD	983	" 983

FHP Mounting Configurations	Suction Side Height	Pump Height
FHP Pump without base	7"	12"
FHP Pump with base	8 ⁷ / ₈ "	13 ⁷ / ₈ "
FHP Pump with base and Spacers	9 ¹ / ₈ "	14 ¹ / ₈ "

Recommended Minimum Wire Size (AWG) For FHP Pumps										
Distance from Service Panel		0–50 Feet		50–100 Feet		100–150 Feet		150 Feet–200 Feet		
Model	Branch Fuse AMPS Class CC, H, TH, R, or T		Voltage		Voltage		Voltage		Voltage	
	20 VAC	115 VAC	20 VAC	115 VAC	20 VAC	115 VAC	20 VAC	115 VAC	20 VAC	115 VAC
FHPM 0.75HP	15A	15A	14	12	12	8	10	6	8	6
FHPM 1.0HP	15A	20A	14	10	10	8	8	6	8	4
FHPM 1.5HP	15A	20A	12	10	10	6	8	6	6	4
FHPM 2.0HP	15A	20A	12	8	8	6	6	4	6	3
FHPM 2.5HP	15A	/A	12	/A	8	/A	6	/A	6	/A
FHPM 1.0HP-2-Speed	15A	/A	14	/A	10	/A	8	/A	8	/A
FHPM 1.5HP-2-Speed	15A	/A	12	/A	10	/A	8	/A	6	/A
FHPM 2.0HP-2-Speed	15A	/A	12	/A	8	/A	6	/A	6	/A

—Assumes three (3) copper conductors in a buried conduit and 3% maximum voltage loss in branch circuit. All applicable National Electrical Code (NEC) and local codes must be followed. Table shows minimum wire size and branch fuse recommendations for a typical installation per NEC.

