

FLOPRO™ PUMPS
SINGLE-AND TWO-SPEED PUMPS



Jandy

**COMPACT, VERSATILE,
POWERFUL**



FLOPRO™
SINGLE- AND TWO-SPEED PUMPS

Compact, Versatile, Powerful

Jandy® FloPro single- and two-speed pumps are designed with an innovative adjustable base, allowing for simple installation on new construction, or quick and easy replacement of existing pumps. With FloPro, minimal plumbing adjustments are required, thereby enabling cost effective pump replacement.

- › Medium-head, high-flow pump in an ultra compact body. Excellent choice for tight equipment areas.
- › Adjustable base options allow for easy replacement of select Jandy, Hayward®, Pentair®, and Sta-Rite® pumps.
- › Ergonomic cam-lock lid with easy alignment indicators.
- › Equipped with 2" unions & 2" internal threads.
- › Quiet operation.

• Easy to Use

Innovative pump equipped with ergonomic cam-lock lid for easy alignment and strainer basket cleaning, plus an integrated carry handle.

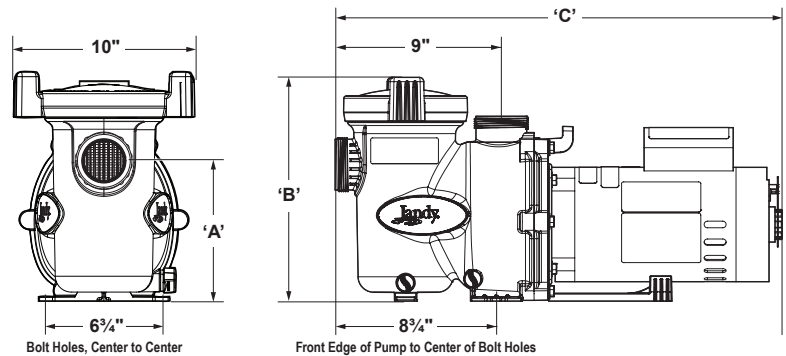
• Energy and Cost Efficient

Energy-efficient 2-speed model provides uncompromising power to filter and recirculate pool and spa water while keeping costs down.

• Easy to Install

The included adjustable base, 2" unions and 2" threaded ports enable easy drop-in replacement of most existing pumps. FloPro makes it easy to replace popular pump models including Hayward Super Pump® or Pentair WhisperFlo® and SuperFlo® pumps.

DIMENSIONS



BASE OPTIONS

Base	Fits	'A' Dimension	'B' Dimension
No Base	Hayward Super Pump, Pentair SuperFlo, Sta-Rite SuperMax®	7 ³ / ₄ "	12 ³ / ₄ "
Small Base	Hayward Super II™, Jandy PlusHP and Max HP	8 ⁷ / ₈ "	13 ⁷ / ₈ "
Small Base w/Spacers	Pentair WhisperFlo, Sta-Rite Dyna-Glas™	9 ¹ / ₈ "	14 ¹ / ₈ "
Small Base + Large Base*	Sta-Rite Max-E-Pro®, Sta-Rite Dura-Glas®, Sta-Rite Dura-Glas II, Sta-Rite Max-E-Glas®	10 ³ / ₄ "	15 ³ / ₄ "

*Large Base Optional Part # R0546400

CANADIAN PUMP SPECIFICATIONS

Residential FloPro Pumps

Model No.	THP	WEF	Voltage	Amps	Recommended Pipe Size	Carton weight	Overall Length 'C'
FHPM.75CND	0.95	4.1/4.3	208-230/115	4.5-4.4/8.8	1½-2"	40.6 lbs.	23¾"
FHPM1.0CND	1.14	3.6	208-230/115	5.4-5.2/10.3	2-2½"	41.2 lbs.	23¾"
FHPM1.5CND	1.65	-	208-230/115	7.8-7.4/14.8	2-2½"	42.6 lbs.	23¾"
FHPM1.0-2CND	1.14	5.6	230	5.3/2.2	2-2½"	46.5 lbs.	24¼"

PERFORMANCE

