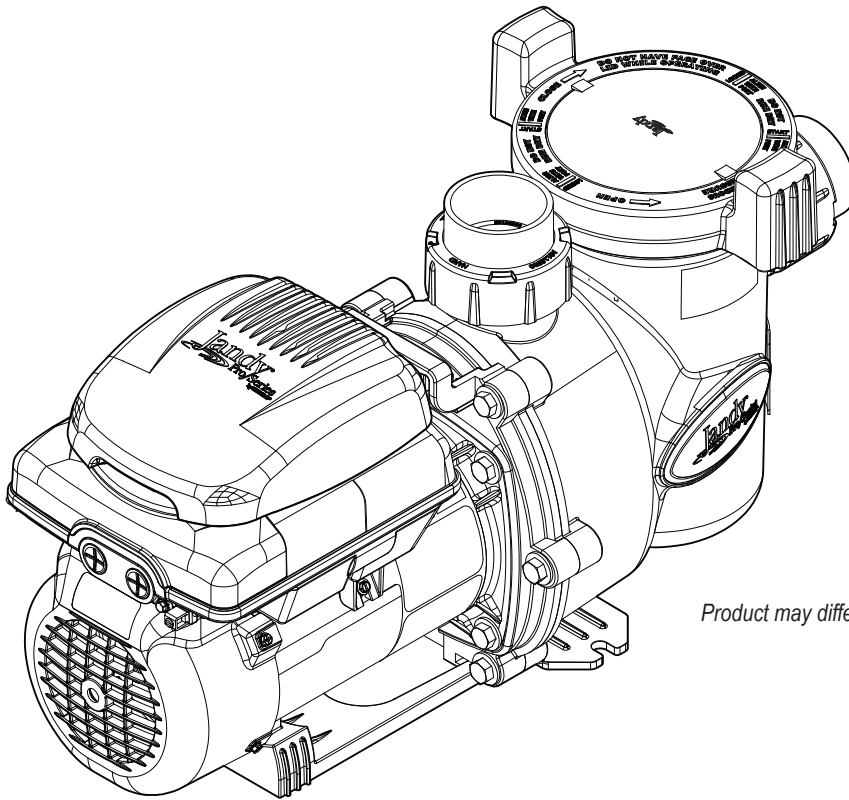




# INSTALLATION AND OPERATION MANUAL

ENGLISH | FRANÇAIS | ESPAÑOL



Product may differ from image shown

## Jandy VS FloPro™ Variable-Speed Pumps

VSFHP085AUT  
VSFHP085JEP  
VSFHP165AUT  
VSFHP165JEP



### ⚠ WARNING

**FOR YOUR SAFETY** - This product must be installed and serviced by a contractor who is licensed and qualified in pool equipment by the jurisdiction in which the product will be installed where such state or local requirements exist. The maintainer must be a professional with sufficient experience in pool equipment installation and maintenance so that all of the instructions in this manual can be followed exactly. Before installing this product, read and follow all warning notices and instructions that accompany this product. Failure to follow warning notices and instructions may result in property damage, personal injury, or death. Improper installation and/or operation will void the warranty.



Improper installation and/or operation can create unwanted electrical hazard which can cause serious injury, property damage, or death.

**ATTENTION INSTALLER** - This manual contains important information about the installation, operation and safe use of this product. This information should be given to the owner/operator of this equipment.

# Table of Contents

**Section 1. Important Safety Instructions ..... 3**

1.1 Safety Instructions..... 3

1.2 Pool Pump Suction Entrapment Prevention Guidelines ..... 5

**Section 2. General Description ..... 6**

2.1 Introduction..... 6

2.2 Description ..... 6

**Section 3. Installation Information..... 6**

3.1 Plumbing ..... 6

3.2 Electrical Installation..... 9

3.3 VS FloPro Pump DIP Switch Settings ..... 13

3.4 Conduct Pressure Test ..... 14

**Section 4. Operation..... 14**

4.1 Start-up..... 14

**Section 5. Service and Maintenance..... 15**

5.1 To Remove Pump Lid ..... 15

5.2 Clean Pump Filter Basket..... 15

5.3 Winterizing the Pump ..... 16

**Section 6. Troubleshooting and Repair..... 17**

6.1 Service Technician Maintenance ..... 19

**Section 7. Product Specifications and Technical Data ..... 20**

7.1 Replacement Parts List and Exploded View .... 20

7.2 Exploded Views ..... 21

7.3 Performance Curves ..... 22

7.4 Physical and Operational Specifications ..... 23

<b>EQUIPMENT INFORMATION RECORD</b>	
<b>DATE OF INSTALLATION</b>	_____
<b>INSTALLER INFORMATION</b>	_____
<b>INITIAL PRESSURE GAUGE READING (WITH CLEAR FILTER)</b>	_____
<b>PUMP MODEL</b>	_____
<b>HORSEPOWER</b>	_____
<b>NOTES:</b>	_____
	_____
	_____

## Section 1. Important Safety Instructions

### READ AND FOLLOW ALL INSTRUCTIONS

#### 1.1 Safety Instructions

All electrical work must be performed by a licensed electrician and conform to all national, state, and local codes. When installing and using this electrical equipment, basic safety precautions should always be followed, including the following:

#### WARNING

**RISK OF SUCTION ENTRAPMENT HAZARD, WHICH, IF NOT AVOIDED, CAN RESULT IN SERIOUS INJURY OR DEATH.** Do not block pump suction, as this can cause severe injury or death. Do not use this pump for wading pools, shallow pools, or spas containing bottom drains, unless the pump is connected to at least two (2) functioning suction outlets. Suction outlet (drain) assemblies and their covers must be certified to the latest published edition of ANSI®/ASME® A112.19.8, or its successor standard, ANSI/APSP-16.

#### WARNING

To reduce the risk of injury, do not permit children to use this product.

#### WARNING

To reduce the risk of property damage or injury, do not attempt to change the backwash (multiport, slide, or full flow) valve position with the pump running.

#### WARNING

Jandy pumps are powered by a high voltage electric motor and must be installed by a licensed or certified electrician or a qualified swimming pool service technician.

#### WARNING

Due to the potential risk of fire, electric shock, or injuries to persons, Jandy pumps must be installed in accordance with the National Electrical Code® (NEC®), all local electrical and safety codes, and the Occupational Safety and Health Act (OSHA). Copies of the NEC may be ordered from the National Fire Protection Association, 1 Batterymarch Park, Quincy, Massachusetts USA 02169, or from your local government inspection agency.

#### WARNING

**RISK OF ELECTRIC SHOCK, FIRE, PERSONAL INJURY, OR DEATH.** Connect only to a branch circuit that is protected by a ground-fault circuit interrupter (GFCI). Contact a qualified electrician if you cannot verify that the circuit is protected by a GFCI. A GFCI should be provided by the installer and should be tested on a routine basis. To test the GFCI, push the test button. The GFCI should interrupt power. Push the reset button. Power should be restored. If the GFCI fails to operate in this manner, the GFCI is defective. If the GFCI interrupts power to the pump without the test button being pushed, a ground current is flowing, indicating the possibility of electrical shock. Do not use the device. Disconnect the device and have the problem corrected by a qualified service representative before using.

#### WARNING

Incorrectly installed equipment may fail, causing severe injury or property damage.

 **WARNING**

- Do not connect the system to an unregulated city water system or other external source of pressurized water producing pressures greater than 35 PSI.
- Trapped air in system can cause the filter lid to be blown off, which can result in death, serious personal injury, or property damage. Be sure all air is out of the system before operating.

 **WARNING**

To minimize the risk of severe injury or death, the filter and/or pump should not be subjected to the piping system pressurization test.

Local codes may require the pool piping system to be subjected to a pressure test. These requirements are generally not intended to apply to the pool equipment such as filters or pumps.

Zodiac® pool equipment is pressure tested at the factory.

However, if the WARNING cannot be followed and pressure testing of the piping system must include the filter and/or pump, **BE SURE TO COMPLY WITH THE FOLLOWING SAFETY INSTRUCTIONS:**

- Check all clamps, bolts, lids, lock rings and system accessories to ensure they are properly installed and secured before testing.
- **RELEASE ALL AIR** in the system before testing.
- Water pressure for test must **NOT EXCEED 35 PSI**.
- Water temperature for test must **NOT EXCEED 100°F (38°C)**.
- Limit test to 24 hours. After test, visually check system to be sure it is ready for operation.

**NOTICE:** These parameters apply to Zodiac equipment only. For non-Zodiac equipment, consult equipment manufacturer.

 **WARNING**

Chemical spills and fumes can weaken pool/spa equipment. Corrosion can cause filters and other equipment to fail, resulting in severe injury or property damage. Do not store pool chemicals near your equipment.

 **CAUTION**

**Do not start pump dry!** Running the pump dry for any length of time will cause severe damage and will void the warranty.

 **CAUTION**

This pump is for use with permanently installed pools and may also be used with hot tubs and spas, if so marked. Do not use with storable pools. A permanently installed pool is constructed in or on the ground or in a building such that it cannot be readily disassembled for storage. A storable pool is constructed so that it may be readily disassembled for storage and reassembled to its original integrity.

 **CAUTION**

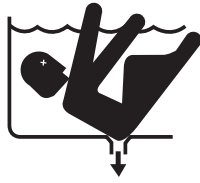
Do not install within an outer enclosure or beneath the skirt of a hot tub. The pump requires adequate ventilation to maintain air temperature at less than the maximum ambient temperature rating listed on the motor rating plate.

In order to avoid premature failure or damage to the pump motor, protect the pump from direct water exposure from sprinklers, water runoff from rooftops and drainage, etc.. Failure to comply may cause pump failure, and may also void warranty.

**SAVE THESE INSTRUCTIONS**



## 1.2 Pool Pump Suction Entrapment Prevention Guidelines



### ⚠ WARNING

**SUCTION HAZARD.** Can cause serious injury or death. Do not use this pump for wading pools, shallow pools or spas containing bottom drains, unless the pump is connected to at least two (2) functioning suction outlets.

### ⚠ WARNING

**Pump suction is hazardous and can trap and drown or disembowel bathers. Do not use or operate swimming pools, spas, or hot tubs if a suction outlet cover is missing, broken, or loose.** The following guidelines provide information for pump installation that minimizes risk of injury to users of pools, spas, and hot tubs:

**Entrapment Protection** - The pump suction system must provide protection against the hazards of suction entrapment.

**Suction Outlet Covers** - All suction outlets must have correctly installed, screw-fastened covers in place. All suction outlet (drain) covers must be properly maintained. They must be replaced if cracked, broken, or missing. Drain covers must be listed/certified to the latest published edition of ANSI®/ASME® A112.19.8 or its successor standard, ANSI/APSP-16. The pool must be shut down and bathers must be restricted from entering the pool until any cracked, broken, or missing drain covers are replaced.

**Number of Suction Outlets Per Pump** - Provide at least two (2) hydraulically-balanced suction outlets, with covers, as suction outlets for each circulating pump suction line. The centers of the suction outlets (suction outlets) on any one (1) suction line must be at least three (3) feet apart, center to center. See Figure 1.

The system **must** be built to include at least two (2) suction outlets (drains) connected to the pump whenever the pump is running. However, if two (2) suction outlets run into a single suction line, the single suction line may be equipped with a valve that will shut off both suction outlets from the pump. The system shall be constructed such that it shall not allow for separate or independent shutoff or isolation of each drain. See Figure 1.

Additional pumps can be connected to a single suction line as long as the requirements above are met.

**Water Velocity** - The maximum water velocity through the suction outlet assembly and its cover for any suction outlet must not exceed the suction outlet assembly and its cover's maximum design flow rate. The suction outlet (drain) assembly and its cover must comply with the latest version of ANSI®/ASME® A112.19.8, the standard for Suction Fittings For Use in Swimming Pools, Wading Pools, Spas, and Hot Tubs, or its successor standard, ANSI/ASME APSP-16.

**Testing and Certification** - Suction outlet covers must have been tested by a nationally recognized testing laboratory and found to comply with the latest published edition of ANSI/ASME A112.19.8 or its successor standard, ANSI/APSP-16, the standard for *Suction Fittings For Use in Swimming pools, Wading Pools, Spas, and Hot Tubs*.

**Fittings** - Fittings restrict flow; for best efficiency use fewest possible fittings (but at least two (2) suction outlets).

Avoid fittings that could cause an air trap.

Pool cleaner suction fittings must conform to applicable International Association of Plumbing and Mechanical Officials (IAPMO) standards.

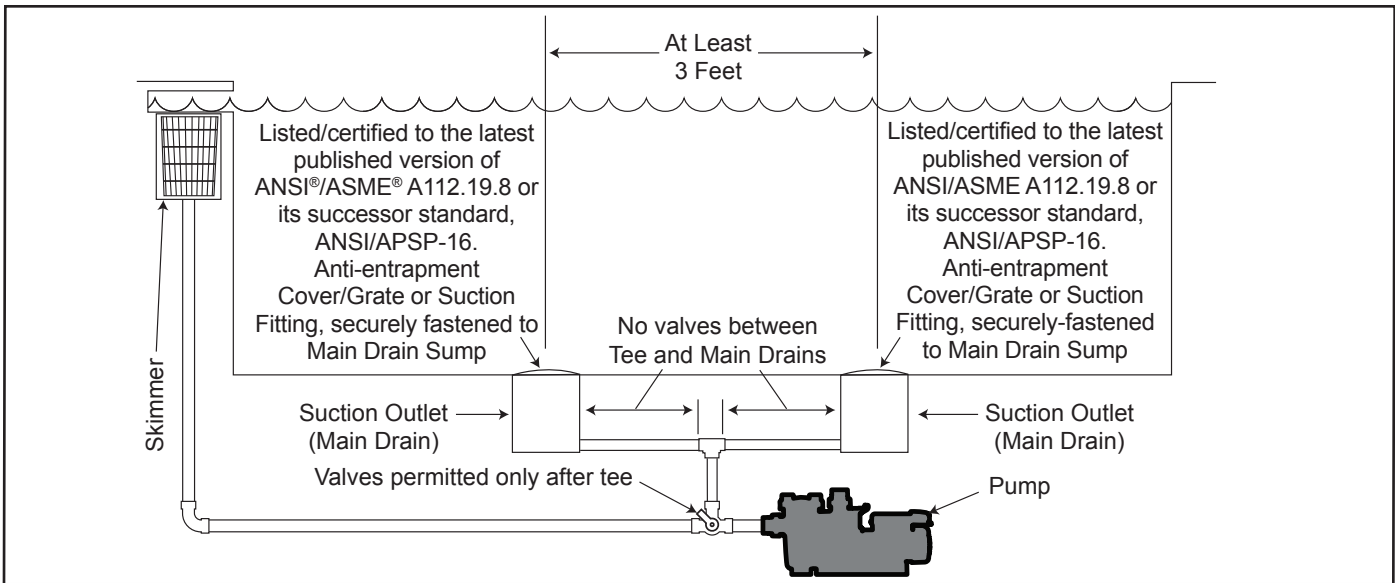


Figure 1. Number of Suction Outlets Per Pump

## Section 2. General Description

### 2.1 Introduction

This manual contains information for the proper installation, operation, and maintenance of Jandy VSFHP085AUT, VSFHP085JEP, VSFHP165AUT, and VSFHP165JEP pumps. Procedures in this manual must be followed exactly. To obtain additional copies of this manual, contact Zodiac® Customer Service at 800.822.7933. For address information, see the back cover of this manual.

### 2.2 Description

VS FloPro is a variable-speed pump that can be run from 600 RPM to 3450 RPM. When connected to the JEP-R controller, up to eight (8) speed settings may be programmed and recalled. This allows you to select the most appropriate speed for your application. Even more versatile programming is possible when you use an iQPUMP01, AquaLink® RS, AquaLink PDA, or AquaLink Z4™ controller.

The pump is driven by a variable speed ECM (Electronically Commutated Motor) directly attached to the pump impeller. The motor spins the impeller which forces water to flow through the pump. As the speed of the motor is varied the flow through the pump is also varied. The adjustable flow rate allows for optimization of flow during the varying pump cycle requirements. As a result the energy efficiency of the pump is maximized resulting in cost savings to the pool owner while also helping to save the environment.

## Section 3. Installation Information

### 3.1 Plumbing

#### Preparation Information

1. Upon receipt of the pump, check the carton for damage. Open the carton and check the pump for concealed damage, such as cracks, dents or a bent base. If damage is found, contact the shipper or distributor where the pump was purchased.
2. Inspect the contents of the carton and verify that all parts are included, see Section 7.1, Replacement Parts List and Exploded View.

#### Pump Location

#### **⚠ WARNING**

To Reduce the Risk of Fire, install pool equipment in an area where leaves or other debris will not collect on or around the equipment. Keep surrounding area clear of all debris such as paper, leaves, pine-needles and other combustible materials.

1. Zodiac Pool Systems LLC recommends installing the pump within one (1) foot (30 cm) above water level. The pump should not be elevated more than five (5) feet above the water level of the pool.

**NOTE** The pump is NSF-certified as being able to prime at heights up to 10 ft above the pool water level, at sea level. However, to achieve better self-priming, install the pump as close as possible to the water level of the pool.

2. If the pump is located below water level, isolation valves must be installed on both the suction and return lines to prevent back flow of pool water during any routine or required servicing.

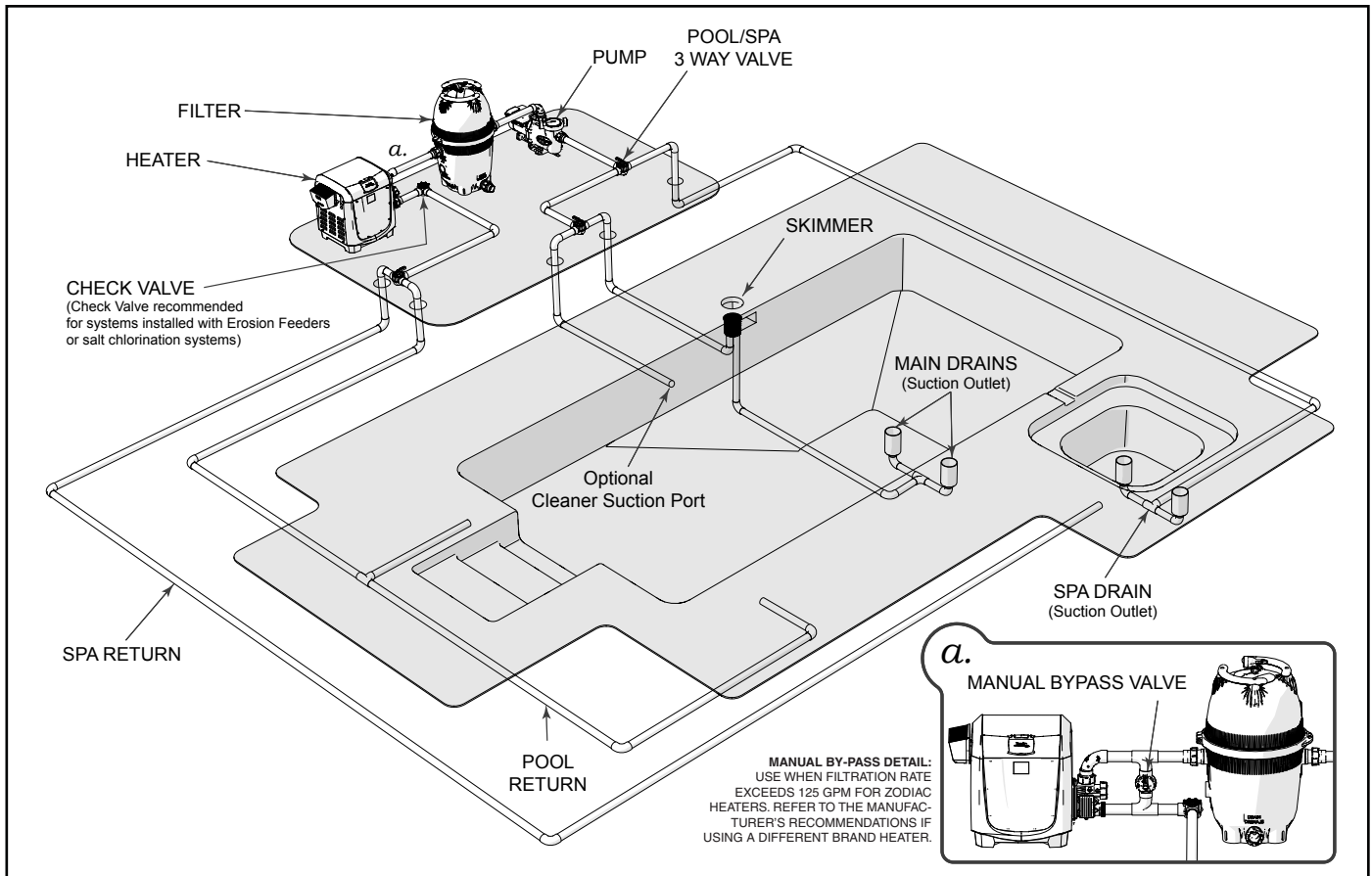


Figure 2. Typical Piping Installation

**⚠ WARNING**

A check valve can interfere with the proper operation of certain Suction Vacuum Release System (SVRS) products. To avoid possible entrapment hazard, serious injury, or death, make sure to review the operation/owners manual of your particular SVRS product before installing the check valve.

**NOTE** When the pool equipment is located below the pool surface a leak can result in large scale water loss or flooding. Zodiac Pool Systems LLC cannot be responsible for such water loss or flooding or damage caused by either occurrence.

3. Install the pump such that any disconnecting means and/or junction boxes for power connection are within sight of the pump and at least five (5) feet horizontally from the edge of the pool and/or spa. Choose a location that will minimize turns in the piping.

**NOTE** In Canada, the minimum distance maintained from the edge of the pool and/or spa as noted above must be 3 meters (10 feet), as required by the Canadian Electrical Code (CEC, CSA C22.1).

4. The pump should be installed on a firm, solid, and level surface to avoid risk of settlement. Do not use sand to level the pump as sand will wash away. Check local building codes for any additional requirements (Ex. Equipment pads in Florida must be concrete and equipment must be secured to the pad.)

**NOTE** Zodiac Pool Systems LLC recommends bolting the pump directly to the foundation.

5. The pump foundation must have adequate drainage to prevent the motor from getting wet. Protect the pump from the rain and sun.
6. Proper ventilation is required for the pump to operate normally. All motors generate heat that must be removed by providing proper ventilation.

**⚠ CAUTION**

In order to avoid premature failure or damage to the pump motor, protect the pump from direct water exposure from sprinklers, water runoff from rooftops and drainage, etc.. Failure to comply may cause pump failure, and may also void warranty.

7. Provide access for future services by leaving a clear area around the pump. Allow plenty of space above the pump to remove the lid and basket for cleaning.
8. If the equipment is in a potentially dark area, provide adequate lighting.

**Pipe Sizing**

For assistance with suction and discharge pipe sizing, please see Table 1.

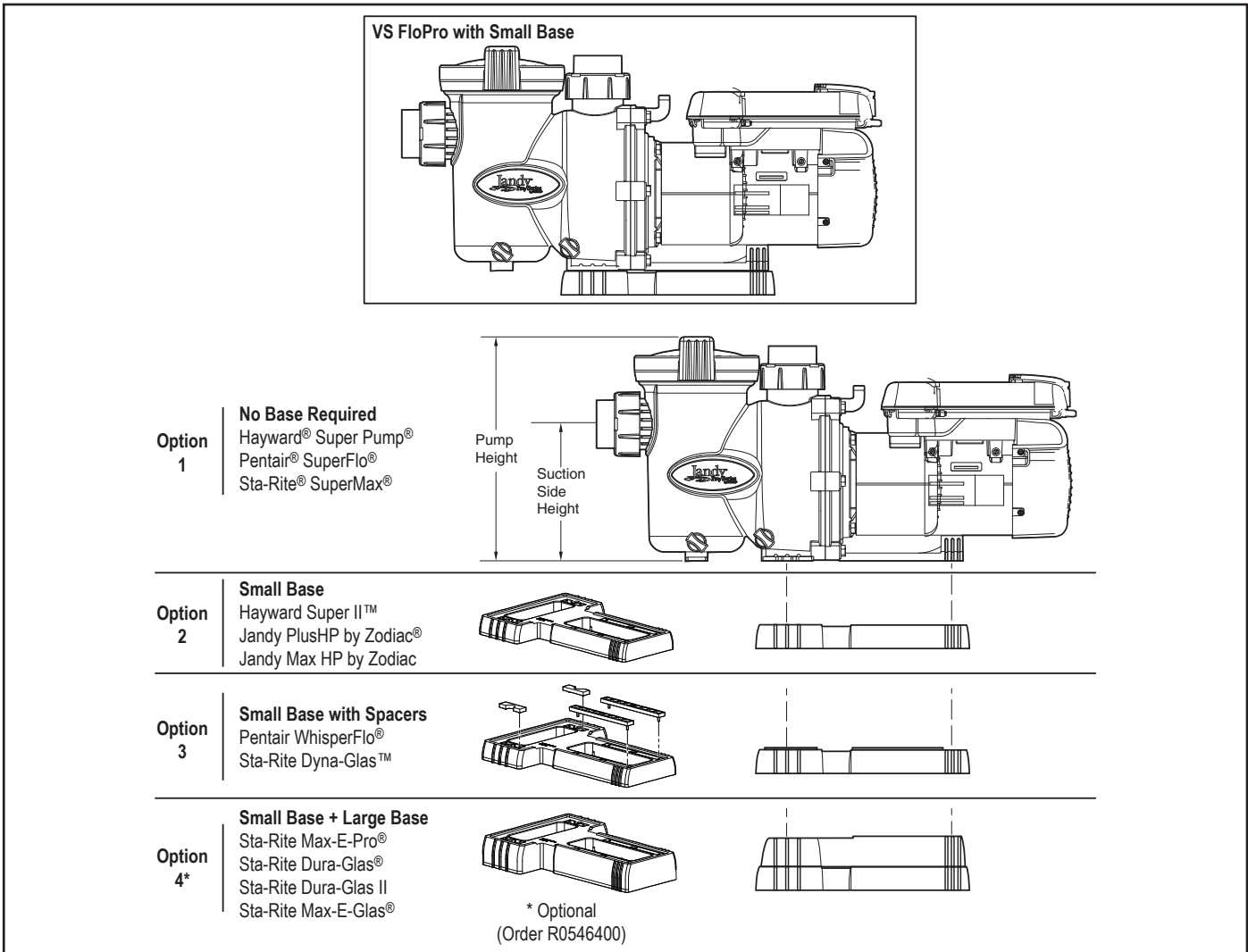


Figure 3. VS FloPro Pump and Base Options

Table 1. Pipe Sizing Chart for Schedule 40 PVC

Pipe Size	Maximum Flow Suction (6 feet per second)	Maximum Flow Discharge (8 feet per second)
1½" (38 mm)	37 GPM (140 LPM)	50 GPM (189 LPM)
2" (51 mm)	62 GPM (235 LPM)	85 GPM (322 LPM)
2½" (64 mm)	88 GPM (333 LPM)	120 GPM (454 LPM)
3" (76 mm)	136 GPM (515 LPM)	184 GPM (697 LPM)
4" (102 mm)	234 GPM (886 LPM)	313 GPM (1185 LPM)

**Installation Recommendations**

1. To help prevent difficulty in priming, install the suction pipe without high points (above inlet of pump - inverted “U”s, commonly referred to in plumbing as an airlock) that can trap air. For installations of equipment up to 100 feet (30 m)

from the water, refer to Table 1, the pipe sizing chart. For installations of equipment more than 100 feet (30 m) from the water, the recommended pipe size must be increased to the next size.

- VS FloPro Pumps come equipped with unions on both the suction and discharge ports. This feature simplifies installation and service and eliminates the possibility of leaks at threaded adapters.
- The VS FloPro Pump must be connected to at least two (2) hydraulically-balanced main drains for each pool pump suction line. Each drain (suction outlet) assembly must be provided with covers and must be listed or certified to the latest published edition of ANSI®/ASME® A112.19.8, or its successor standard, ANSI/APSP-16. The suction fittings of the main drains must be at least three (3) feet (1 m) apart or at different planes. The suction fittings can be a drain and skimmer, two (2) drains, two (2) skimmers, or a skimmer with an equalizer line installed. Check the local codes for proper installation.

- NOTE** To prevent entrapment, the system must be built so it cannot operate with the pump drawing water from only one (1) main drain. At least two (2) main drains must be connected to the pump when it is in operation. However, if two (2) main drains run into a single suction line, the single suction line may be equipped with a valve that will shut off both main drains from the pump.
- The piping must be well supported and not forced together where it will experience constant stress.
  - Always use properly sized valves. Jandy Diverter Valves and Ball Valves typically have the best flow capabilities.
  - Use the fewest possible fittings especially 90 degree elbows. Each additional fitting or length of pipe increases resistance to flow which makes the pump work harder.

**NOTE** If more than ten (10) suction fittings are needed, the pipe size must be increased.

- Every new installation must be pressure tested according to local codes.

**Replacement of Existing Pump**

Jandy VS FloPro pumps can easily replace several other pumps: the Hayward® Super Pump®, Hayward Super II™, Pentair® SuperFlo®, Pentair WhisperFlo®, Jandy PlusHP (PHP), Jandy MaxHP (MHP), Sta-Rite® Dura-Glas, Sta-Rite Dura-Glas II, Sta-Rite Dyna-Glas™, Sta-Rite Max-E-Glas®, Sta-Rite Max-E-Pro®, and Sta-Rite SuperMax®.

To replace the Pentair WhisperFlo, Jandy PlusHP, or Jandy MaxHP, use the VS FloPro’s adjustable base. The VS FloPro base (and its spacers) increase the total height of the pump and the height of the suction side of the pump. See Table 2 and Figure 3.

**NOTE** The small base with adjustable spacers comes with all VS FloPro models. The large base is sold separately as an accessory (Jandy Part Number R0546400).

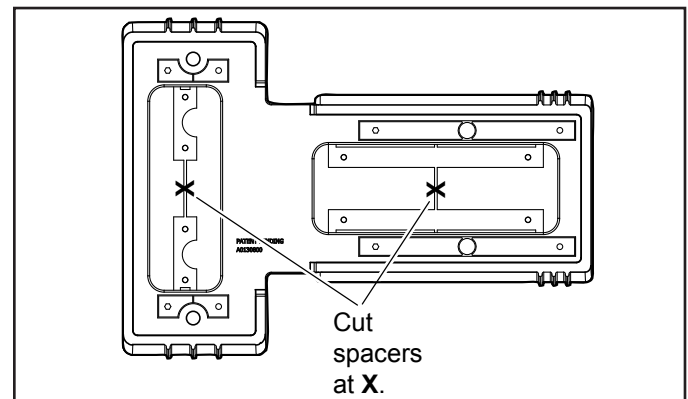
**Table 2. VS FloPro Dimensions**

Base Configuration	Suction Side Height	Pump Height
1. Pump without Base	7 3/4"	12 3/4"
2. Pump with Small Base	8 7/8"	13 7/8"
3. Pump with Small Base and Spacers	9 1/8"	14 1/8"
4. Pump with Small + Large Base	10 3/4"	15 3/4"

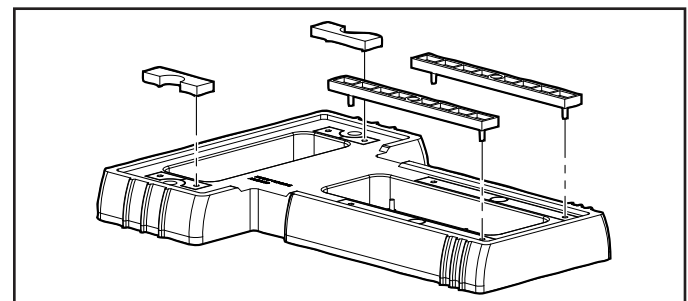
**Install Spacers into Small Base**

- Using a hand cutter tool, cut the plastic bars connecting the top and bottom sets of spacers, as shown in Figure 4.

- Push the two (2) top spacers and two (2) bottom spacers out of the base.
- Align the pins in the four (4) spacers with the holes in the base and snap the spacers into place, as shown in Figure 5.



**Figure 4. Cut Sets of Spacers Out of Base**



**Figure 5. Snap Spacers into Place**

**3.2 Electrical Installation**

**Voltage Checks**

The correct voltage, as specified on the pump data plate and Table 3 on page 10, is necessary for proper performance and long motor life. Incorrect voltage will decrease the pump’s ability to perform and could cause overheating, reduce the motor life, and result in higher electric bills.

It is the responsibility of the electrical installer to provide data plate operating voltage to the pump by ensuring proper circuit sizes and wire sizes for this specific application.

The National Electrical Code® (NEC®, NFPA-70®) requires all pool pump circuits be protected with a ground-fault circuit interrupter (GFCI). Therefore, it is also the responsibility of the electrical installer to ensure that the pump circuit is in compliance with this and all other applicable requirements of the National Electrical Code (NEC) and any other applicable installation codes.

**⚠ CAUTION**

Failure to provide data plate voltage (within 10%) during operation will cause the motor to overheat and void the warranty.



Table 3. Recommended Wire Sizes for VS FloPro Pumps

RECOMMENDED MINIMUM WIRE SIZE FOR VS FLOPRO PUMPS*			
Distance from Sub-panel		0-150 Feet (0-45 metres)	
Model	Inverse - Time Circuit Breaker or Branch Fuse AMPS Class: CC, G, H, J, K, RK, or T	Gauge of Wire Voltage 230 VAC	Gauge of Wire Voltage 115 VAC
VSFHP165AUT, VSFHP165JEP	15A	12	N/A
VSFHP085AUT, VSFHP085JEP	15A	N/A	12

\*Assumes three (3) copper conductors in a buried conduit and 3% maximum voltage loss in branch circuit. All National Electrical Code® (NEC®) or the Canadian Electrical Code (CSA) and local codes must be followed. Table shows minimum wire size and branch fuse recommendations for typical installation.

### Bonding and Grounding

- In addition to being properly grounded as described in *Electrical Wiring* section, and in accordance with the requirements of the National Electrical Code (NEC), or in Canada the Canadian Electrical Code (CEC), the pump motor must be bonded to all metal parts of the swimming pool, spa or hot tub structure and to all electrical components and equipment associated with the pool/spa water circulation system.
- The bonding must be accomplished by using a solid copper conductor, No. 8 AWG or larger. In Canada No. 6 AWG or larger must be used. Bond the motor using the external bonding lug provided on the motor frame.
- National Electrical Code® (NEC®) requires bonding of the Pool Water. Where none of the bonded pool equipment, structures, or parts are in direct connection with the pool water; the pool water shall be in direct contact with an approved corrosion-resistant conductive surface that exposes not less than 5800 mm<sup>2</sup> (9 in<sup>2</sup>) of the surface area to the pool water at all times. The conductive surface shall be located where it is not exposed to physical damage or dislodgement during usual pool activities, and it shall be bonded in accordance with the bonding requirements of NEC Article 680. Refer to your locally enforced codes for any additional bonding requirements

#### ⚠ WARNING

Always disconnect the power source before working on a motor or its connected load. Allow five (5) minutes before servicing unit.

#### ⚠ WARNING

Make sure that the control switch, time clock, or control system is installed in an accessible location, so that in the event of an equipment failure or a loose plumbing fitting, the equipment can be turned off. This location must not be in the same area as the pool pump, filter, and other equipment.

#### ⚠ CAUTION

The pump must be permanently connected to a dedicated electrical circuit. No other equipment, lights, appliances, or outlets may be connected to the pump circuit.

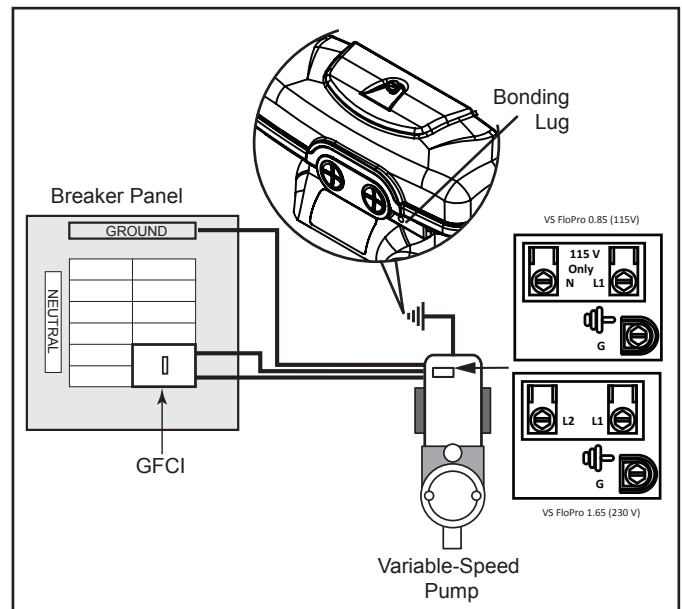


Figure 6. Bonding the Motor

### Electrical Wiring

- The pump motor must be securely and adequately grounded using the green screw provided. Ground before attempting to connect to an electrical power supply. Do not ground to a gas supply line.
- Wire size must be adequate to minimize voltage drop during the start-up and operation of the pump.
- Insulate all connections carefully to prevent grounding or short-circuits. Sharp edges on terminals require extra protection. For safety, and to prevent entry of contaminants, reinstall all conduit and terminal box covers. Do not force connections into the conduit box.

**NOTE** When power alone is supplied to this pump, it will not operate. It requires a digital command sent to it by either a variable speed controller (JEP-R), an iQPUMP01 controller, an AquaLink® RS controller, an AquaLink Pool Digital Assistant (PDA), or an AquaLink Z4™, to operate at a chosen speed.

### VS FloPro Controller Options

The VS FloPro pump can be operated by one (1) of five (5) controllers: the JEP-R variable-speed controller, iQPUMP01 controller, the AquaLink RS controller (Rev O or later), the AquaLink PDA (Rev 4.0 or later), or the AquaLink Z4. The VS FloPro variable-speed pump communicates with the controllers via a four-wire RS-485 interface.

### Controller Installation Options

The VSFHP085JEP and VSFHP165JEP pumps come pre-configured for the JEP-R variable-speed controller with DIP switch settings pre-configured to work with this controller. The VSFHP085AUT and VSFHP165AUT Pumps come pre-configured for installation with the AquaLink RS, AquaLink PDA, or AquaLink Z4.

**To install with an AquaLink RS controller (Rev O or later), an AquaLink PDA (Rev 4.0 or later), or an AquaLink Z4:**

1. Remove power from the VS FloPro pump by disconnecting the high voltage lines or by turning off any breaker to which the VS FloPro pump power is connected.

**⚠ WARNING**

**ELECTRICAL SHOCK HAZARD**

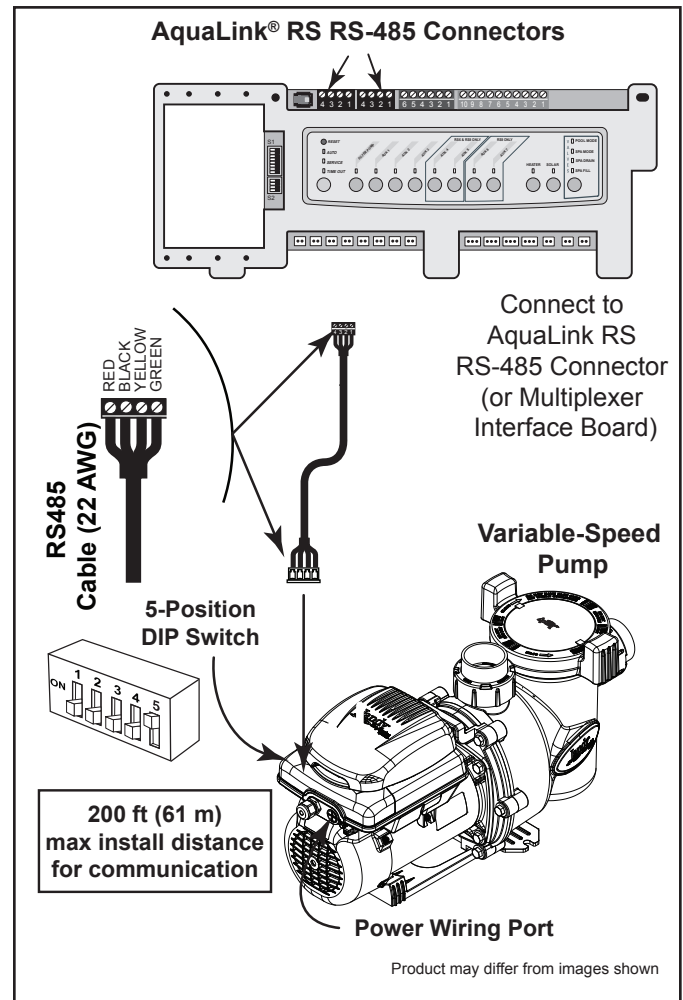
Turn off all switches and the main breaker in the variable-speed pump electrical circuit, and allow five (5) minutes, before starting the procedure. Failure to comply may cause a shock hazard resulting in severe personal injury or death.

2. Remove the access cover to complete electrical connections to the motor.
3. Slide DIP switches 1 and 2 down to the OFF position. Slide DIP switch 5 up to the ON position. See Figure 7.
4. Select the desired address(es) for the pump by setting DIP switches 3 and/or 4, as shown in Section 3.3, *VS FloPro Pump DIP Switch Settings*.
5. If short RS-485 cable or JEP-R controller is pre installed:
  - a. Disconnect the RS-485 cable from the 4-pin header on the pump drive.

Note: Do not cut the cable, or you will lose the ability to return to the default factory configuration.

- b. Connect the new RS-485 cable from the AquaLink through the available compression fitting and route the 4-conductor cable through the motor drive threaded port closest to the connector. Figure 7.
6. Connect the RS-485 connector on the AquaLink® RS (or multiplexer interface board), matching wire colors with connector positions as follows: 1-red, 2-black, 3-yellow, and 4-green. See Figure 7.

7. Secure wiring access cover to the pump motor.
8. Restore power to the pump and verify the operation of the controller.
9. Refer to the appropriate manual for set up and operation of the pump: AquaLink RS Owner’s Manual, 6593, AquaLink PDA Owner’s Manual, H0572300, or AquaLink Z4™ Owner’s Manual, H0386600.



**Figure 7. Wiring AquaLink RS Controller or AquaLink PDA**



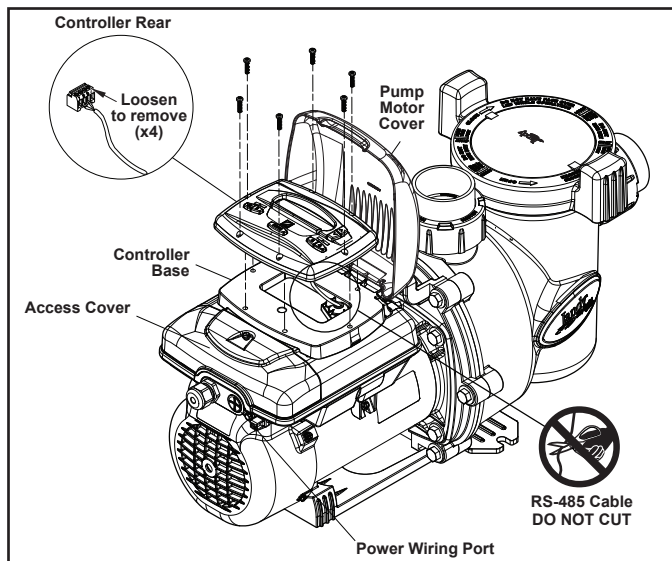
### JEP-R Remote Mounting

The variable-speed controller may be remote mounted onto a vertical surface that is protected from the elements.

Follow the directions carefully to maintain the ability to reinstall the variable-speed controller onto the Pump. Reverse these instructions to complete the reinstallation. See Figure 8.

**⚠ WARNING**  
**ELECTRICAL SHOCK HAZARD**

Turn off all switches and the main breaker in the variable-speed pump electrical circuit, and allow five (5) minutes, before starting the procedure. Failure to comply may cause a shock hazard resulting in severe personal injury or death.



**Figure 8. Disconnect Variable-Speed Controller from Pump**

**⚠ WARNING**

When determining routing and protection for the variable-speed controller cabling, ensure that all National Electrical Code® (NEC®) and all local code requirements are met. NEC code requirements prohibit the routing of signal cables in conduits or raceways that are used for branch, feeder, or service conductors. NEC also provides direction for building-to-building routing of signal cables, with regard to lightning protection.

### At the pump:

1. Remove power from the pump by disconnecting the high voltage lines or by turning off or deactivating any breaker to which the pump power is connected.
2. Lift up the controller cover on its hinges to access the variable-speed controller.
3. Remove the six (6) screws to disconnect the variable-speed controller from the controller base on the Pump motor.
4. Detach the RS-485 cable connecting the variable-speed controller user interface to the controller base on the motor. Do not over extend the cable when raising the controller away from the motor.
5. Unscrew the four (4) connector terminals and disconnect the wires of the motor cable assembly.  
**Note:** Do not cut the cable, or you will lose the ability to return to the default factory configuration.
6. Bundle the loose wire into the pocket of the controller base. This wire will be used if reinstalling the variable-speed controller onto the Pump.
7. Secure the pocket cover and gasket with six (6) screws to the variable-speed controller base on the motor.
8. Remove the one (1) screw and access cover to complete electrical connections to the motor.
9. Insert the free end of the new RS-485 cable through the available compression fitting and route the 4-conductor cable through the motor drive threaded port closest to the connector.
10. Prepare the cable and attach another 4-pin connector, ensuring the wire colors match Figure 7.
11. Insert the RS-485 connector onto the corresponding RS-485 connector on the motor PCB.
12. Secure the compression fitting nut around the cable to secure the motor.
13. Verify the DIP switch settings match Figure 7.
14. Reinstall the access cover with the single screw removed in step 8.

Follow the instructions in the Variable-Speed Controller User Interface Installation/Owner's manual (H0412200) to complete the remote mounting of the controller.

### To install the JEP-R variable-speed controller:

**IMPORTANT**

The installer must TURN ON DIP switches 1 and 2 at the pump when connected to the JEP-R or iQPUMP01 variable-speed controller.

1. Remove power from the pump by disconnecting the high voltage lines or by opening any breaker to which the pump power is connected.

**⚠ WARNING**

**ELECTRICAL SHOCK HAZARD**

Turn off all switches and the main breaker in the variable-speed pump electrical circuit, and allow five (5) minutes, before starting the procedure. Failure to comply may cause a shock hazard resulting in severe personal injury or death.

2. Remove the cover of the junction box and feed the RS-485 cable into the fitting.
3. Unplug the RS-485 connector.
4. Attach the four (4) wires in the RS-485 cable to the RS-485 connector. Match the wire colors with the positions on the connector: 1- red, 2- black, 3- yellow, and 4- green. See Figure 9.
5. Insert the RS-485 connector back into the pump.
6. Slide DIP switches 1 and 2 up, so they are in the ON position, and slide switches 3 and 4 down, so they are in the OFF position. See Figure 9.

7. Connect the other end of the cable to the controller. Match the colors of the wires with the appropriate connector positions as follows: 1- red, 2- black, 3- yellow, and 4- green.
8. Secure wiring access cover to the pump motor.
9. Restore power to the pump and verify the operation of the controller.
10. Refer to the Variable-Speed Controller Owner’s Manual, H0412200, to operate the pump.

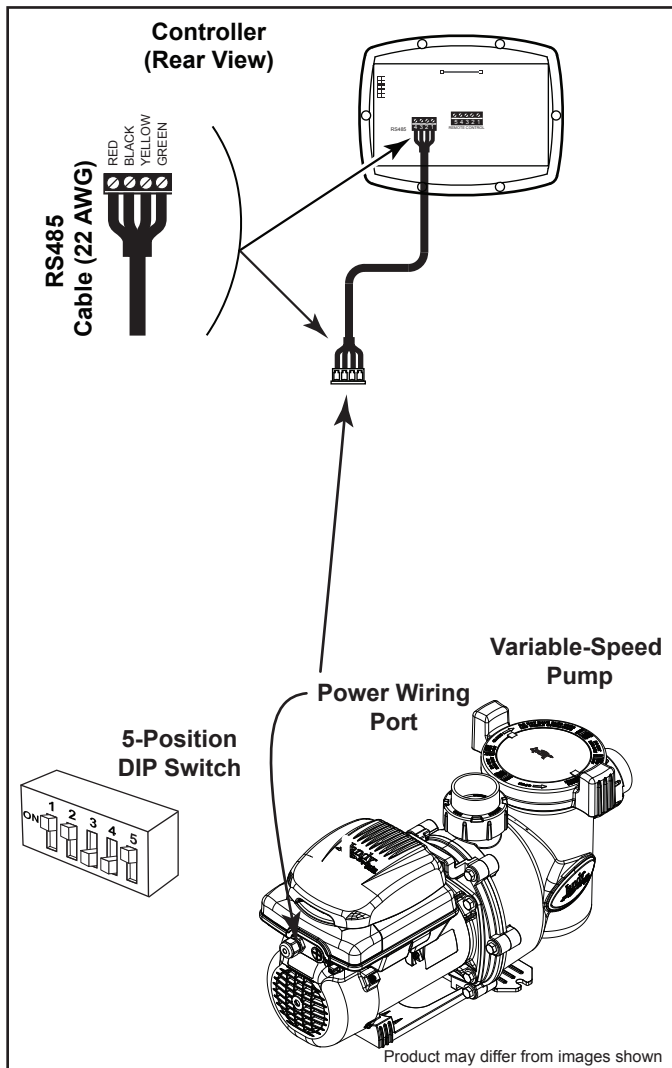


Figure 9. Wiring Variable-Speed Controller (JEP-R)

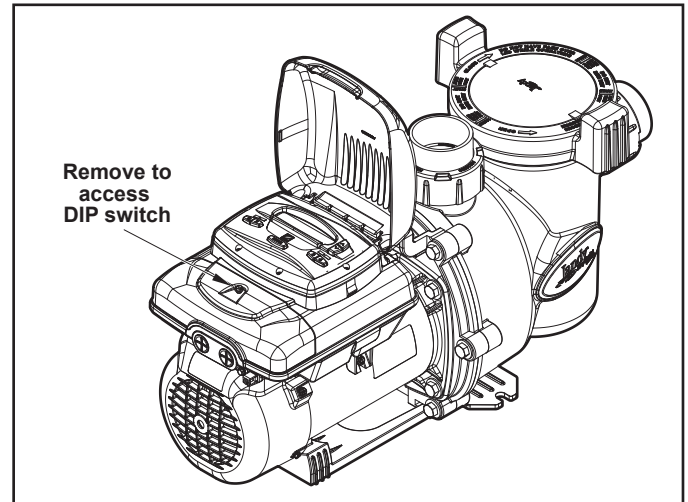


Figure 10. DIP Switch Access Cover

**3.3 VS FloPro Pump DIP Switch Settings**

The 5-position DIP switch is located at the rear of the VS FloPro pump. This DIP switch serves two (2) functions: it selects the pump address, and it determines what type of controller will be used with the pump.

Table 4. 5-Position DIP Switch Settings

Switch 1	Switch 2	Switch 5	Controller
OFF	OFF	ON	AquaLink RS, AquaLink PDA, or AquaLink Z4™
ON	ON	ON	JEP-R and iQPUMP01

Switch 3	Switch 4	Pump Address
OFF	OFF	PUMP 1
ON	OFF	PUMP 2
OFF	ON	PUMP 3
ON	ON	PUMP 4

### 3.4 Conduct Pressure Test

#### WARNING

When pressure testing a system with water, air is often trapped in the system during the filling process. This air will compress when the system is pressurized. Should the system fail, this trapped air can propel debris at a high speed and cause injury. Every effort to remove trapped air must be taken, including opening the bleed valve on the filter and loosening the pump basket lid while filling the pump.

#### WARNING

Trapped air in the system can cause the filter lid to be blown off, which can result in death, serious injury, or property damage. Be sure all air is properly purged out of the system before operating. **DO NOT USE COMPRESSED AIR TO PRESSURE TEST OR CHECK FOR LEAKS.**

#### WARNING

##### ELECTRICAL SHOCK HAZARD

Do not pressure test above 35 PSI. Pressure testing must be done by a trained pool professional. Circulation equipment that is not tested properly might fail, which could result in severe injury or property damage.

#### WARNING

When pressure testing the system with water, it is very important to make sure that the pump basket lid is completely secure.

1. Fill the system with water, using care to eliminate trapped air.
2. Pressurize the system with water to no more than **35 PSI**.
3. Close the valve to trap pressurized water in the system.
4. Observe the system for leaks and/or pressure decay.
5. If there are lid leaks, repeat this procedure. For Zodiac Technical Support, call 800.822.7933.

## Section 4. Operation

### 4.1 Start-up

#### CAUTION

Never run the pump without water. Running the pump “dry” for any length of time can cause severe damage to both the pump and motor and will void the warranty.

If this is a new pool installation, make sure all piping is clear of construction debris and has been properly pressure tested. The filter should be checked for proper installation, verifying that all connections and clamps are secure according to the manufacturer’s recommendations.

#### WARNING

To avoid risk of property damage, severe personal injury or death, verify that all power is turned off before starting this procedure.

1. Depending on the location of the pump, do one of the following:
  - If the pump is located below the water level of the pool, open the filter pressure release valve to prime the pump with water.
  - If the pump is located above the water level of the pool, remove the lid and fill the basket with water before starting the pump.
2. Prior to replacing the lid, check for debris around the lid o-ring seat. Debris around the lid o-ring seat will cause air to leak into the system and will make it difficult to prime the pump.
3. Hand-tighten the lid to make an air tight seal. Do not use any tools to tighten the lid: hand-tighten only. Make sure all valves are open and the unions are tight.
4. Restore power to the pump. Then turn on the pump by following the instructions in the Variable-Speed Controller or Automation System owner’s manual.
5. Once all the air has left the filter, close the pressure release valve.
6. The pump should prime. The time it takes to prime will depend on the elevation and length of pipe used on the suction supply pipe. See *Installation Recommendations* in Section 3.1 for proper elevation and pipe size.

The default priming speed is 2750 RPM. The pump will take approximately 14-15 minutes to prime at this speed when the pump is located 10 feet above the pool water. If priming speed is adjusted to 3450 RPM, the pump should prime within 6 minutes at 10 feet above the water level.

- NOTE** The pump is NSF-certified as being able to prime at heights up to 10 ft above the pool water level, at sea level. However, to achieve better self-priming, install the pump as close as possible to the water level of the pool.
- If the pump does not prime and all the instructions to this point have been followed, check for a suction leak. If there is no leak, repeat Steps 2 through 7.
  - For technical assistance, call Zodiac® Technical Support at 800.822.7933.

## Section 5. Service and Maintenance

### ⚠ CAUTION

To avoid damage to the plastics, do not use lubricant or sealant on the o-ring. Only soapy water should be used to install and lubricate the o-ring.

### 5.1 To Remove Pump Lid

- Make sure that the pump is turned off.
- Make sure that the switch to the circuit breaker that powers the pump motor is turned off.

### ⚠ WARNING

#### ELECTRICAL SHOCK HAZARD

Turn off all switches and the main breaker in the variable-speed pump electrical circuit, and allow 5 minutes, before starting the procedure. Failure to comply may cause a shock hazard resulting in severe personal injury or death.

### ⚠ WARNING

#### ELECTRICAL SHOCK HAZARD

Due to the potential risk of fire, electric shock, or injuries to persons, Zodiac® Pumps must be installed in accordance with the National Electrical Code® (NEC®), all local electrical and safety codes, and the occupational Safety and Health Act (OSHA). Copies of the NEC may be ordered from the National Protection Association, 470 Atlantic Ave., Boston, MA 02210, or from your local government inspection agency.

In Canada, Zodiac Pumps must be installed in accordance with the Canadian Electrical Code (CEC).

- Make sure all necessary isolation valves are closed to prevent pool water from reaching the pump.
- Following the markings on the locking ring, turn the ring counter-clockwise until the ‘START’

markings align with the ports. See Figures 13 and 14.

- Carefully remove the lid with locking ring.

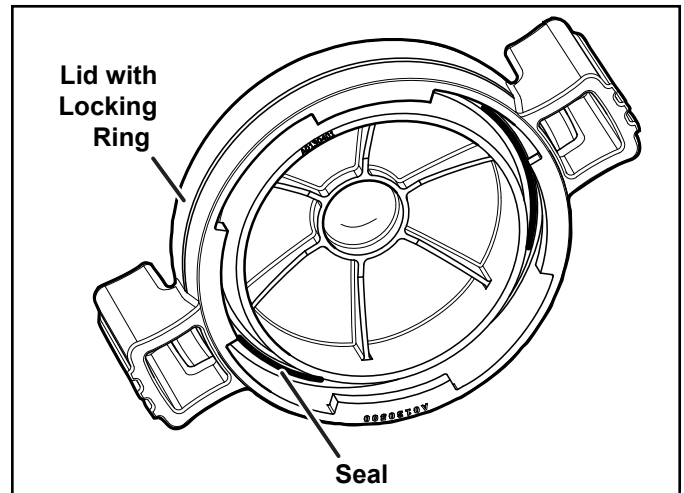


Figure 13. O-ring in Lid Assembly

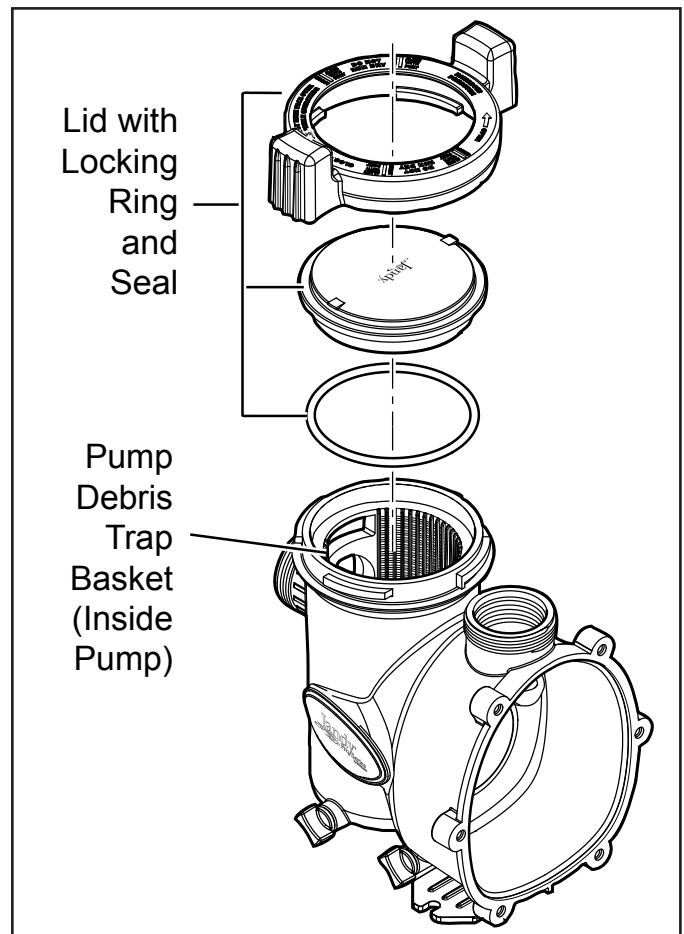


Figure 14. Exploded View of Pump

### 5.2 Clean Pump Filter Basket

Inspect the pump filter basket for debris by looking through the clear pump lid. Remove any debris, because as debris accumulates, it will begin to block the flow



of water through the pump. Keep the basket clean to improve the performance of the pump.

1. Turn off the power to the pump. If the pump is located below the water level, close the isolation valves on the suction and discharge sides of the pump to prevent backflow of water.
2. Turn the lid's locking ring counter-clockwise until 'START' aligns with the ports. Carefully remove the lid.

**⚠ CAUTION**

A misaligned basket will cause the lid to be improperly seated, allowing an air leak, which could result in pump damage.

3. Lift the basket out of the pump.
4. Dispose of the debris and thoroughly clean the basket, making sure all the holes are open. Using a garden hose, spray the basket from the outside to help clear the holes. Remove any remaining debris by hand.
5. Replace the basket in the pump by aligning the opening with the suction pipe. If aligned properly, the basket will drop easily into place. **Do not force it into place.**
6. Remove the lid seal and remove debris around the lid seal seat, as this can allow air to leak into the system. Clean the lid seal and place it on the lid.
7. Replace the lid with locking ring. **Hand-tighten** the lid to make an air-tight seal. Do not use any tools to tighten the lid: **hand-tighten only.**
8. Verify that all valves have been returned to the proper position for normal operation.
9. Open the pressure release valve on the filter, and make sure it is clean and ready for operation.
10. Turn on the power to the pump. Once all the air has been evacuated from the filter, close the pressure release valve.

### 5.3 Winterizing the Pump

**⚠ CAUTION**

The pump **must** be protected when freezing temperatures are expected. Allowing the pump to freeze will cause severe damage and void the warranty.

**⚠ CAUTION**

**Do not use antifreeze solutions in the pool, spa, or hot tub systems!** Antifreeze is highly toxic and may damage the circulation system. The only exception to this is Propylene Glycol. For more information, see your local pool/spa supply store or contact a qualified swimming pool service company.

1. Drain all water from the pump, system equipment, and piping.
2. Remove the two (2) drain plugs. Store the drain plugs in a safe location and reinstall them when the cold weather season is over. **Ensure drain plugs o-rings are not misplaced.**
3. Keep the motor covered and dry. Do not cover the pump with plastic, because this will create condensation that will damage the pump.

**NOTE** Zodiac Pool Systems LLC recommends having a qualified service technician or electrician properly disconnect the electrical wiring at the switch or junction box. Once the power is removed, loosen the two (2) unions and store the pump indoors. For safety, and to prevent entry of contaminants, reinstall all conduit and terminal box covers.

4. When the system is reopened for operation, have a qualified technician or electrician make sure all piping, valves, wiring and equipment are in accordance with the manufacturer's recommendations. Pay close attention to the filter and electrical connections.
5. The pump must be primed prior to starting. Refer to Section 4.1, Start-up.

## Section 6. Troubleshooting and Repair

Zodiac® strongly recommends that you call a qualified service technician to perform any repairs on the filter/pump system. To locate a qualified technician, check your local yellow pages or visit [www.zodiacpoolsystems.com](http://www.zodiacpoolsystems.com) or [www.zodiacpoolsystems.ca](http://www.zodiacpoolsystems.ca) and click on “Dealer Locator.”

Symptom	Possible Cause/Solution
The cleaning/circulating system is not operating correctly.	<p>Verify that skimmer baskets, pump basket and other screens are clean. Clean as necessary.</p> <p>Check filter and clean as necessary.</p> <p>Check valve positions. Adjust as necessary.</p> <p><b>NOTE</b> Multiple pieces of equipment operating at one time (for example, waterfalls, spa jets, and surface returns) will affect the proper operation of the cleaning system.</p> <p>Check the cleaning system manual to ensure that the system is adjusted according to the manufacturer's recommendations.</p>
Bubbles are present in the pump basket.	<p>Air is in the system. Check the pool or spa water level to ensure that it is at the proper level and air is not being drawn into the suction piping. If the water is at the normal level, turn off the pump. Turn the lid's locking ring counter-clockwise until 'START' aligns with the ports. Remove the lid and do a visual inspection of the lid seal looking for cracks or gaps on the rubber surface. If none are observed, use a clean rag to wipe the surface clean (note: the rag may show black material that came off the lid seal). Use the rag again to clean the mating surface of the housing. Using a very small amount of silicone lubricant (no Vaseline) will help make a proper seal and protect the lid seal. Align 'START' with the ports and turn the locking ring clockwise until 'LOCKED' aligns with the ports. <b>Hand-tighten</b> the lid to make an air-tight seal. <b>Do not use any tools to tighten the lid.</b> Turn the pump back on. If problem is not resolved lid seal replacement may be necessary.</p>
Air leaks are still present.	<p>Check the suction side piping union. While the pump is running, try to tighten the union. If this does not stop the air leak, turn off the pump. Loosen both unions and slide the pump out of the way. Remove, clean, and re-install both union o-rings.</p> <p>Reposition the pump next to the piping and secure the union nuts to the pump. With clean union o-rings, hand-tightening of the unions should create a seal. If the unions still do not seal, gently tighten with a large pair of tongue-and-groove pliers.</p> <p><b>Do not over-tighten.</b></p>
There is no air in the system, but the pressure is still low.	<p>It is possible that debris is caught in the pump impeller. The pump impeller moves the water, and the vanes in the impeller can become blocked with debris. See <i>Section 6.1, Service Technician Maintenance and Blocked Impeller</i>, in this manual for more information.</p>
There is no debris blocking the impeller <b>and</b> the pressure is still low.	<p>The pump impeller and diffuser are showing signs of normal wear. Have a qualified service technician check the impeller and diffuser and replace as necessary.</p> <p>If the pump is part of a relatively new installation, it could be an electrical problem. Contact a qualified service technician. Have the technician check for loose electrical connections and check the voltage at the pump motor while it is in operation. The voltage must be within 10% of the motor's data plate rating. If the voltage is not within 10%, contact a qualified electrician and/or the local power service provider.</p> <p>Pump seal is leaking air. Have a qualified service technician replace the seal.</p>
The pump is leaking water between the motor and pump body.	<p>This is caused by a damaged or failed mechanical seal. Replace the seal.</p>

Symptom	Possible Cause/Solution
The pump gets hot and shuts off periodically.	Make sure that there is adequate room around the motor to circulate air and keep the motor cool. Have a qualified electrician check for loose connections and check the voltage at the pump motor while it is in operation. The voltage must be within 10% of the motor's data plate rating. If the voltage is not within 10%, contact a qualified electrician and/or the local power service provider.
Pump will not start.	No power to pump. Make sure pump is properly connected to high voltage. See <i>Section 3.2, Electrical Installation</i> , in this manual.
	Improper low-voltage wiring. Check low-voltage wiring between pump and controller. Correct if necessary. See <i>Section 3.2, Electrical Installation</i> , in this manual.
	Improper pump address setting. Make sure that pump DIP switches 3 and 4 are set properly for the installation. Both should be OFF for use with Variable-Speed Controller or set to the proper address when connected to an AquaLink® RS controller, an AquaLink PDA, or an AquaLink Z4™. See <i>Section 3.3, Pump DIP Switch Settings</i> , in this manual. <b>Note:</b> VS-FHP085 & VSFHP165JEP should always have DIP switch setting 5 set to ON for both controllers.
	Fault condition exists. View fault message on controller and correct fault before proceeding. If unsure how to correct fault, contact Zodiac® Technical Support at 800.822.7933.
Variable-Speed Controller LCD is not displaying information  or pump LEDs are not illuminated.	Incorrect DIP switch setting. Make sure pump DIP switches 1 and 2 are both ON if the controller is the JEP-R and both are OFF if the controller is a PDA, AquaLink RS, or AquaLink Z4. See <i>Section 3.3, Pump DIP Switch Settings</i> , in this manual. <b>Note:</b> DIP Switch 5 should always be in the ON position.
	Improper low-voltage wiring. Check low-voltage wiring between pump and controller. Correct if necessary. See <i>Section 3.2, Electrical Installation</i> , in this manual.
Controller displays "Pump not connected".	Improper low-voltage wiring. Check low-voltage wiring between pump and controller. Correct if necessary. See <i>Section 3.2, Electrical Installation</i> , in this manual.
	Improper pump address set. Ensure pump DIP switches 3 and 4 are set properly for the installation. Both should be OFF for use with Variable-Speed Controller or set to the proper address when connected to an AquaLink RS controller, an AquaLink PDA, or an AquaLink Z4. See <i>Section 3.3, Pump DIP Switch Settings</i> , in this manual. <b>Note:</b> DIP Switch 5 should always be in the ON regardless of the controller type.
Fault message appears on controller display.	Fault condition exists. View fault message on controller and correct fault before proceeding. If unsure how to correct fault, contact Zodiac Technical Support at 800.822.7933. In Canada, call 1-888-647-4004



## 6.1 Service Technician Maintenance

### CAUTION

This pump must be serviced by a professional service technician qualified in pool/spa installation. The following procedures must be followed exactly. Improper installation and/or operation can create dangerous electrical hazards, which can cause high voltages to run through the electrical system. This can cause property damage, serious personal injury, and/or death. Improper installation and/or operation will void the warranty.

### Blocked Impeller

### WARNING

Before servicing the pump, switch off the circuit breakers at the power source. Severe personal injury or death may occur if the pump starts while your hand is inside the pump.

1. Turn off the pump. Switch off the circuit breaker to the pump motor.
2. Remove the lid and basket.
3. Look inside the pump for debris. Remove any debris found inside.
4. Replace the basket and lid.
5. Switch on the circuit breaker to the pump motor.
6. Turn on the pump, and see if the problem is solved.
7. If the impeller is still blocked with debris and it is not possible to remove the debris using Steps 2 through 4, the pump will need to be disassembled in order to access the inlet and outlet of the impeller.

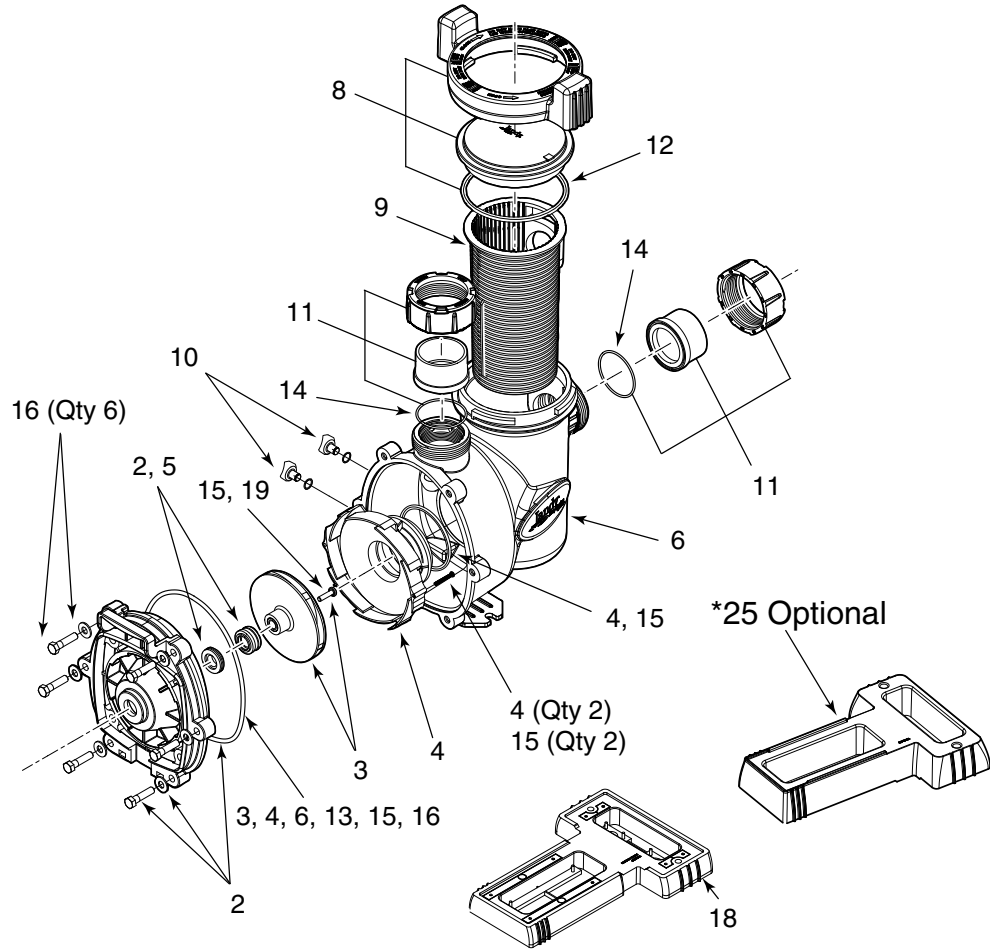
## Section 7. Product Specifications and Technical Data

### 7.1 Replacement Parts List and Exploded View

To order or purchase parts for Zodiac® pumps, contact your nearest Zodiac dealer. If the Zodiac dealer cannot supply you with what you need, contact Zodiac Technical Support at 1.800.822.7933, or send an e-mail message to [productsupport@zodiac.com](mailto:productsupport@zodiac.com). In Canada, 1.888.647.4004, [customerservicePSC@zodiac.com](mailto:customerservicePSC@zodiac.com)

Key No.	Description	Order Part No.
1	Motor and Drive, VSFHP085JEP	R0856100
1	Motor and Drive, VSFHP085AUT	R0856000
1	Motor and Drive, VSFHP165JEP	R0571000
1	Motor and Drive, VSFHP165AUT	R0670400
2	Backplate, Bolts (6), Washers (6), Backplate O-ring, Mechanical Seal (Carbon and Ceramic)	R0479500
3	Impeller, Mounting Screw, Backplate O-ring (VSFHP085JEP / VSFHP085AUT)	R0479602
3	Impeller, Mounting Screw, Backplate O-ring (VSFHP165JEP / VSFHP165AUT)	R0479603
4	Diffuser, O-ring, Mounting Screws (2), Backplate O-ring (VSFHP085JEP / VSFHP085AUT)	R0479702
4	Diffuser, O-ring, Mounting Screws (2), Backplate O-ring (VSFHP165JEP / VSFHP165AUT)	R0479701
5	Mechanical Seal, Carbon and Ceramic (1 Set)	R0479400
6	Pump Body, Backplate O-ring	R0479800
7	Motor Mounting Foot	R0479900
8	Lid, Locking Ring, O-ring	R0480000
9	Pump Filter Basket	R0480100
10	Drain Plug w/ O-ring (Set of 2)	R0446000
11	Union Nut (2), Tail Piece (2), O-ring (2)	R0327301
12	Lid O-ring	R0480200
13	Backplate O-ring	R0480300
14	Tailpiece O-ring (Set of 2)	R0337600
15	Diffuser/Impeller Hardware w/ Backplate O-ring (Diffuser O-ring, Diffuser Mounting Screws, Impeller Mounting Screw, Backplate O-ring)	R0480400
16	Backplate Bolts (6), Backplate Washers (6), Backplate O-ring	R0480500
17	Motor Mounting Bolts (4), Washers (4)	R0446700
18	Small Adjustable Base with Spacers, FloPro Pumps	R0486700
19	Impeller Mounting Screw w/ O-Ring	R0515400
20	Wiring Access Cover Mounting Screw	R0587600
21	JEP-R Controller Mounting Screws	R0571600
22	Wiring Access Cover w/ Gaskets	R0571400
23	Fan Cover w/ Mounting Screws (4)	R0571300
24	Cover for on-board JEP-R Controller	R0571500
25	Large Base, FloPro Pumps	R0546400
26	1/2" Cord Grip	R0501101
27	JEP-R Controller	JEP-R

7.2 Exploded Views



1 - VSFHP085JEP & VSFHP165JEP Motor/Drive

1 - VSFHP085AUT & VSFHP165AUT Motor/Drive

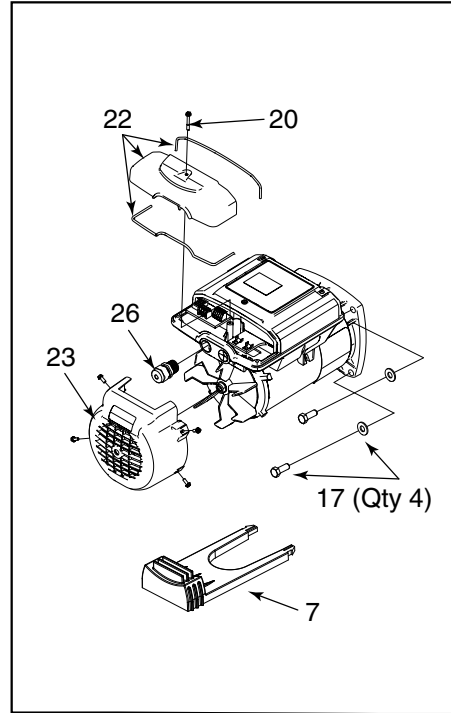
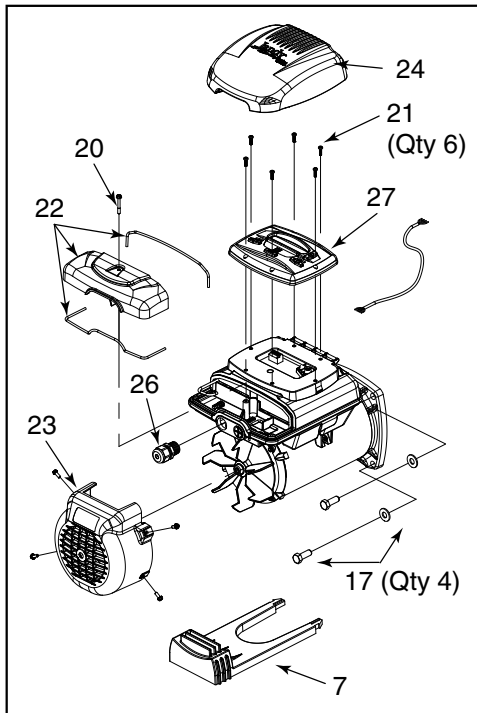
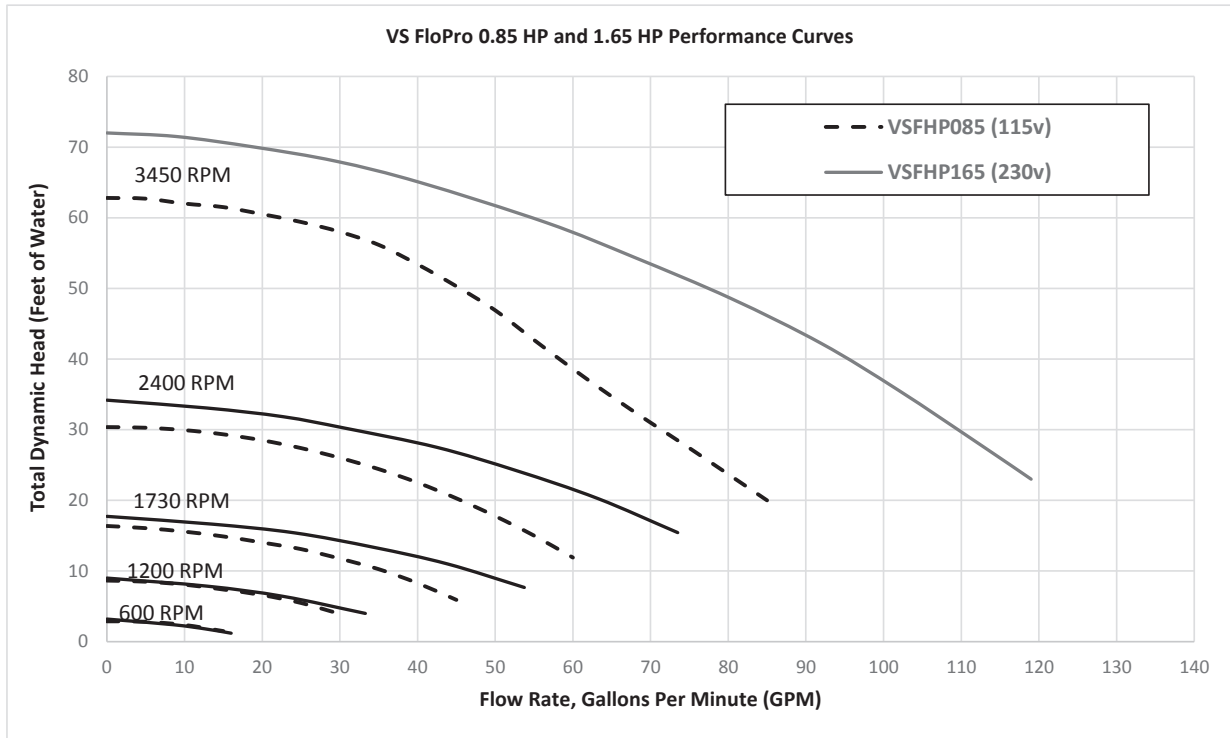


Figure 15. VS Pumps Exploded View

### 7.3 Performance Curves



## 7.4 Physical and Operational Specifications

### Specifications

Model No.	HP	Voltage	Max Watts	Pipe Size	Carton Weight	Overall Length
VSFHP165AUT & VSFHP165JEP	1.65	230 VAC	1,600W	1 1/2 - 2 1/2"	46 lbs.	24" (61 cm)
VSFHP085AUT & VSFHP085JEP	0.85	115 VAC	975W	1 1/2 - 2"	46 lbs.	24" (61 cm)

### 7.4.2 Dimensions

**NOTE** When installing a pump, leave a minimum of two (2) feet (30 cm) of clearance above the pump for removal of the strainer basket.

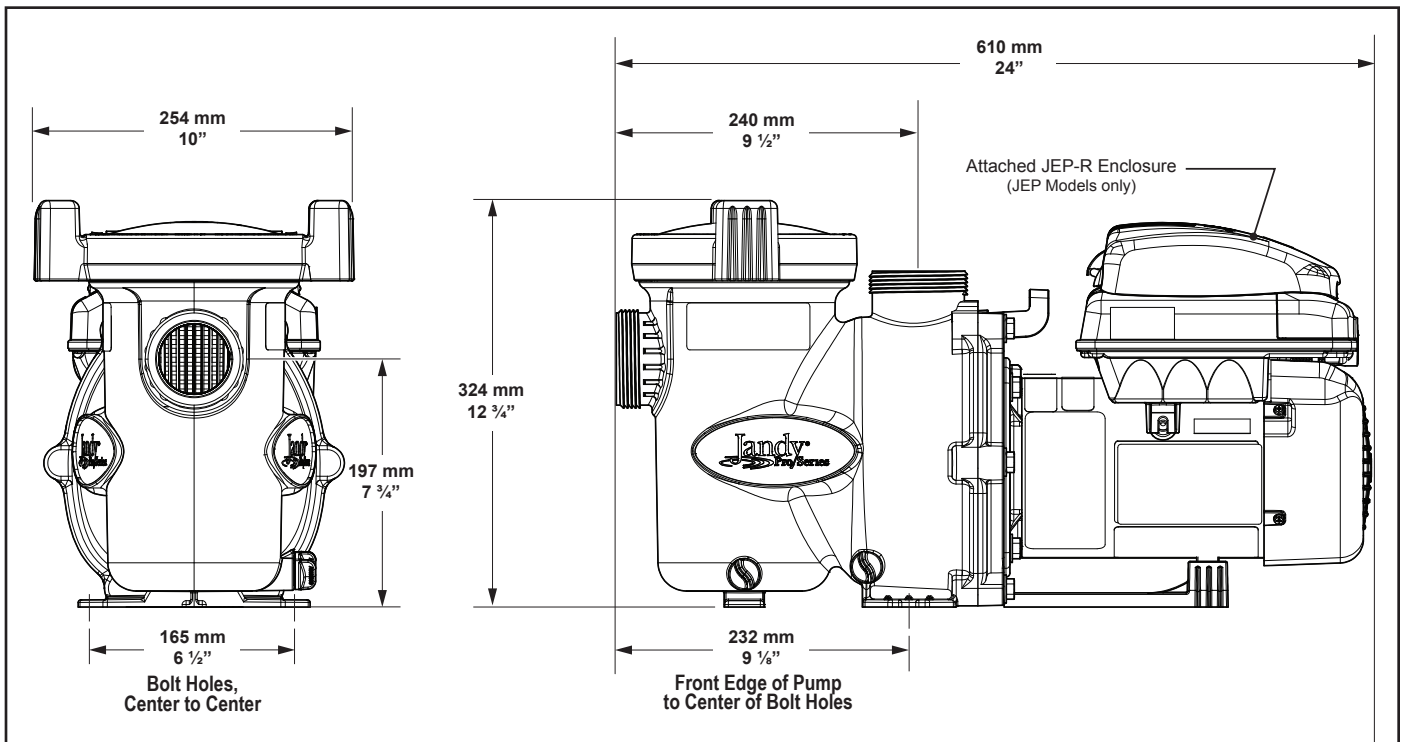


Figure 16. VSFHP165AUT, VSFHP165JEP, VSFHP085AUT, VSFHP085JEP Dimensions

**Zodiac Pool Systems LLC**

2882 Whiptail Loop # 100, Carlsbad, CA 92010  
www.ZodiacPoolSystems.com

**Zodiac Pool Systems Canada, Inc.**

2-3365 Mainway, Burlington, Ontario L7M 1A6  
www.ZodiacPoolSystems.ca

USA | Jandy.com | 1.800.822.7933

Canada | Jandy.ca | 1.888.647.4004

©2019 Zodiac Pool Systems LLC. ZODIAC® is a registered trademark of Zodiac International, S.A.S.U., used under license. All trademarks referenced herein are the property of their respective owners.

H0661800 REVC



ETL LISTED  
CONFORMS TO  
UL STD 1081

Certified to  
CAN/CSA STD  
C22.2 No. 108



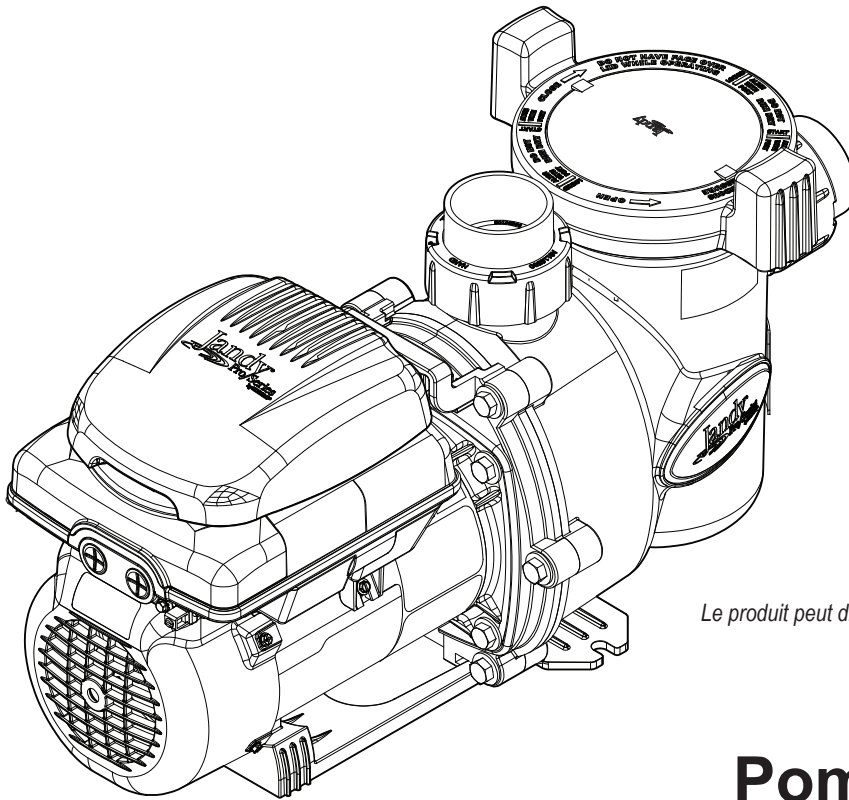
Certified to  
NSF/ANSI Standard 50





# MANUEL D'INSTALLATION ET DE FONCTIONNEMENT

FRANÇAIS



*Le produit peut différer de l'image*

## Jandy Pompes à vitesses variable série VS FloPro™

VSFHP085AUT  
VSFHP085JEP  
VSFHP165AUT  
VSFHP165JEP



### **⚠ AVERTISSEMENT**

**POUR VOTRE SÉCURITÉ**, ce produit doit être installé et entretenu par un entrepreneur disposant d'un permis et qui est qualifié en équipement de piscine, délivré par la juridiction dans laquelle le produit est installé lorsque de telles exigences étatiques ou locales existent. L'agent d'entretien doit être un professionnel disposant de suffisamment d'expérience dans l'installation et l'entretien de l'équipement de piscine, afin de s'assurer que toutes les directives du présent manuel sont scrupuleusement respectées. Avant d'installer ce produit, lire et suivre tous les avertissements et toutes les directives qui accompagnent ce produit. Dans le cas contraire, des dommages matériels ou des blessures, possiblement mortelles, peuvent survenir. Une mauvaise installation ou utilisation annule la garantie.



Une mauvaise installation ou utilisation peut engendrer un danger électrique pouvant entraîner des dommages matériels ou des blessures graves, voire mortelles.

**À L'ATTENTION DE L'INSTALLATEUR** - Ce manuel contient des informations importantes sur l'installation, le fonctionnement et l'utilisation sécuritaire de ce produit. Ces informations doivent être transmises au propriétaire ou à l'utilisateur de cet équipement.



## Table des matières

<b>Section 1. Consignes de sécurité importantes</b>	<b>Section 5. Service et entretien</b>
<b>27</b>	<b>39</b>
1.1 Consignes de sécurité..... 27	5.1 Pour retirer le couvercle de la pompe ..... 39
1.2 Directives pour la prévention de l'effet ventouse d'une pompe de piscine ..... 29	5.2 Nettoyer le panier filtre pour débris Pompe..... 40
<b>Section 2. Description générale</b> ..... <b>30</b>	5.3 Préparation de la pompe pour l'hiver ..... 40
2.1 Introduction..... 30	<b>Section 6. Dépannage et réparation</b> ..... <b>41</b>
2.2 Description ..... 30	6.1 Entretien par un technicien..... 43
<b>Section 3. Information sur l'installation</b> ..... <b>30</b>	<b>Section 7. Spécifications du produit et données techniques</b> ..... <b>44</b>
3.1 Plomberie ..... 30	7.1 Liste de pièces de rechange et vue éclatée ..... 44
3.2 Installation électrique..... 33	7.2 Vue éclatée..... 45
3.3 Réglages du commutateur DIP de la pompe VS FloPro..... 37	7.3 Courbes de performance..... 46
3.4 Effectuer un test de pression..... 38	7.4 Spécifications physiques et opérationnelles..... 47
<b>Section 4. Fonctionnement</b> ..... <b>38</b>	
4.1 Mise en service ..... 38	

### ENREGISTREMENT DES INFORMATIONS SUR L'ÉQUIPEMENT

DATE DE L'INSTALLATION \_\_\_\_\_

COORDONNÉES DE L'INSTALLATEUR \_\_\_\_\_

PREMIÈRE LECTURE DU MANOMÈTRE DE PRESSION (AVEC FILTRE TRANSPARENT) \_\_\_\_\_

MODÈLE DE POMPE \_\_\_\_\_ PUISSANCE \_\_\_\_\_

REMARQUES : \_\_\_\_\_

\_\_\_\_\_

\_\_\_\_\_

# Section 1. Consignes de sécurité importantes

## LIRE ET SUIVRE TOUTES LES DIRECTIVES

### 1.1 Consignes de sécurité

Tout travail en lien avec l'électricité doit être effectué par un électricien qualifié et se conformer aux codes locaux, provinciaux et nationaux. Lors de l'installation et de l'utilisation de cet équipement électrique, les consignes de sécurité élémentaires doivent toujours être respectées, notamment :

#### AVERTISSEMENT

**RISQUE D'EFFET VENTOUSE QUI, S'IL N'EST PAS ÉVITÉ, PEUT CAUSER DES BLESSURES GRAVES, VOIRE MORTELLES.** Ne pas bloquer l'aspiration de la pompe, ce qui pourrait causer des blessures graves, voire mortelles. Ne pas utiliser cette pompe pour les pataugeoires, les piscines peu profondes ou les spas disposant de drains au fond, à moins que la pompe ne soit connectée à au moins deux (2) prises d'aspiration fonctionnelles. Les ensembles d'aspiration (drains) et leurs couvercles doivent être certifiés conformes à la dernière édition publiée de la norme ANSI®/ASME® A112.19.8, Ou sa norme ayant droit, ANSI/APSP-16.

#### AVERTISSEMENT

Pour réduire les risques de blessures, ne pas permettre aux enfants d'utiliser ce produit.

#### AVERTISSEMENT

Pour réduire les risques de dommages matériels ou de blessures, ne pas tenter de modifier la position de la valve du lavage à contre-courant (port multiple, glisser ou débit plein) lorsque la pompe fonctionne.

#### AVERTISSEMENT

Les pompes Jandy sont alimentées par un moteur électrique haute tension et doivent être installées par un électricien agréé ou qualifié ou un technicien d'entretien des piscines.

#### AVERTISSEMENT

En raison du risque potentiel d'incendie, d'électrocution ou de blessures corporelles, les pompes Jandy doivent être installées conformément au National Electrical Code® (NEC®), aux codes électriques et de sécurité locaux, ainsi que selon la loi Occupational Safety and Health Act (OSHA). Il est possible de commander des copies du NEC auprès de la National Fire Protection Association, 1 Batterymarch Park, Quincy, Massachusetts États-Unis, 02169 ou de votre agence d'inspection du gouvernement.

#### AVERTISSEMENT

**RISQUE DE DÉCHARGE ÉLECTRIQUE, D'INCENDIE, DE BLESSURES OU DE MORT.** Branchez l'équipement uniquement à un circuit de dérivation sur lequel un différentiel est installé. Veuillez contacter un électricien qualifié si vous ne pouvez pas vérifier que le circuit est équipé d'un différentiel ou non. Un tel DDFT doit être fourni par l'installateur et faire l'objet d'essais régulièrement. Pour tester le différentiel, appuyer sur le bouton de test. Le différentiel doit couper l'alimentation. Appuyer sur le bouton de remise en route. L'alimentation doit être rétablie. Si le différentiel ne fonctionne pas comme indiqué, c'est qu'il est défectueux. Si le différentiel coupe l'alimentation de la pompe sans que le bouton de test ait été enfoncé, cela indique la présence d'un courant de terre, signifiant un risque de décharge électrique. Ne pas utiliser l'appareil. Débrancher l'appareil et faire corriger le problème par un représentant de service qualifié avant toute utilisation.

#### AVERTISSEMENT

Un équipement mal installé peut faire défaut, causant de graves blessures ou dommages matériels.

### AVERTISSEMENT

- Ne pas raccorder le système à un réseau municipal d'approvisionnement en eau non régulé ni à aucune autre source externe d'eau sous pression produisant des pressions supérieures à 2,41 BAR (35 PSI).
- La présence d'air coincé dans le système peut faire sauter le couvercle du filtre et entraîner la mort, de graves blessures corporelles ou des dommages matériels. Veiller à ce que tout l'air a quitté le système avant d'utiliser l'équipement.

### AVERTISSEMENT

Pour réduire le risque de blessures graves ou de décès, le filtre et/ou la pompe ne doivent pas être soumis à un test de mise sous pression de la tuyauterie.

Les codes locaux peuvent exiger l'application d'un test de mise sous pression sur la tuyauterie de la piscine. Généralement, ces exigences ne sont pas conçues pour être appliquées à l'équipement de piscine, comme les filtres ou les pompes.

L'équipement de piscine Zodiac® est soumis à des tests de mise sous pression en usine.

Toutefois, si cet AVERTISSEMENT ne peut pas être respecté et que le test de mise sous pression du système de tuyauterie doit inclure le filtre et/ou la pompe, ASSUREZ-VOUS DE RESPECTER LES CONSIGNES DE SÉCURITÉ SUIVANTES :

- Vérifier les serre-joints, les boulons, les couvercles, les anneaux de blocage et les accessoires du système pour s'assurer qu'ils sont correctement installés et fixés solidement avant d'effectuer un test.
- **LIBÉREZ TOUT L'AIR** présent dans le système avant le test.
- La pression de l'eau pendant le test NE DOIT PAS DÉPASSER 2,41 BAR (35 PSI).
- La température de l'eau pendant le test NE DOIT PAS DÉPASSER 38 °C (100 °F).
- Limiter la durée du test à 24 heures. Après le test, vérifier visuellement le système pour s'assurer qu'il est prêt à fonctionner.

**AVIS:** Ces paramètres s'appliquent à l'équipement Zodiac uniquement. Pour les équipements autres que Zodiac, consulter le fabricant de l'équipement.

### AVERTISSEMENT

Les déversements de produits chimiques et les émanations peuvent affaiblir l'équipement de piscine/spa. La corrosion peut provoquer la panne des filtres et autres équipements, ce qui entraînerait de graves blessures ou des dommages matériels. Ne pas ranger les produits chimiques à proximité de votre équipement.

### MISE EN GARDE

**Ne pas démarrer la pompe à sec!** Faire fonctionner la pompe « à sec » pendant un certain temps causera de graves dommages et annulera la garantie.

### MISE EN GARDE

Cette pompe est conçue pour être utilisée avec des piscines permanentes et peut aussi être utilisée dans les cuves thermales et les spas, si indiqué. Ne pas utiliser avec des piscines pouvant être entreposées. Une piscine permanente est construite dans le sol, sur le sol ou dans un bâtiment, de telle manière qu'elle ne puisse pas être facilement démontée et rangée. Une piscine pouvant être rangée est construite pour qu'elle puisse être démontée facilement aux fins d'entreposage, puis remontée à son état initial.

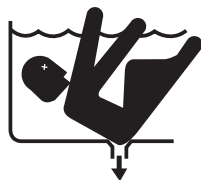
### MISE EN GARDE

Ne pas installer dans une enceinte extérieure ou sous les bords d'une cuve thermique. La pompe nécessite une ventilation adéquate pour maintenir une température ambiante inférieure à la température ambiante maximale figurant sur la plaque signalétique du moteur.

Afin d'éviter une défaillance prématurée ou des dommages au moteur de la pompe, protégez-la de l'exposition directe à l'eau provenant des sprinklers, du ruissellement des toits et du drainage, etc. Le non-respect de cette consigne peut entraîner une défaillance de la pompe et peut également annuler la garantie.

**CONSERVER CES DIRECTIVES**

## 1.2 Directives pour la prévention de l'effet ventouse d'une pompe de piscine



### ⚠ AVERTISSEMENT

**RISQUE D'ASPIRATION.** Peut causer une blessure grave voire la mort. Ne pas utiliser cette pompe pour les pataugeoires, les piscines peu profondes ou les spas disposant de drains au fond, à moins que la pompe ne soit connectée à au moins deux (2) prises d'aspiration fonctionnelles.

### ⚠ AVERTISSEMENT

L'aspiration de la pompe est dangereuse et peut coincer et noyer ou éventrer les baigneurs. Ne pas utiliser ni faire fonctionner des piscines, spas ou cuves thermales si le couvercle de la prise d'aspiration manque, est brisé ou desserré. Les directives suivantes fournissent de l'information sur l'installation de la pompe qui minimise les risques de blessures chez les utilisateurs de piscines, de spas ou de cuves thermales :

**Protection contre le piégeage :** Le système d'aspiration de la pompe doit protéger contre les risques de piégeage par aspiration.

**Couvercles de prise d'aspiration :** Toutes les prises d'aspiration doivent être correctement installées, avec les couvercles vissés en place. Tous les couvercles de prise d'aspiration (drain) doivent être correctement entretenus. Ils doivent être remplacés s'ils sont fissurés, brisés ou manquants. Les couvercles doivent être certifiés selon la dernière édition publiée de ANSI®/ASME® A112.19.8 ou sa norme ayant droit, ANSI/APSP-16. La piscine doit être fermée et les baigneurs ne doivent pas pouvoir entrer dans la piscine jusqu'à ce que toutes fissures, tous bris ou couvercles de drain manquants soient remplacés.

**Nombre de prises d'aspiration par pompe :** Fournir aux moins deux (2) prises d'aspiration hydrauliquement équilibrées avec les couvercles, comme prises d'aspiration pour chaque conduite d'aspiration de pompe. Les centres des prises d'aspiration sur n'importe quelle conduite d'aspiration doivent être à au moins 90 cm (3 pi) de distance, centre à centre. Voir la Figure 1.

Le système **doit** être construit pour inclure au moins deux (2) prises d'aspiration (drains) raccordés à la pompe lorsqu'elle fonctionne. Cependant, si deux (2) prises d'aspiration deviennent une seule conduite d'aspiration, celle-ci peut être dotée d'une valve qui arrête les deux prises d'aspiration de la pompe. Le système sera construit de manière à ne pas permettre un arrêt séparé ou indépendant ni l'isolation de chaque drain. Voir la Figure 1.

D'autres pompes peuvent être raccordées à une seule conduite d'aspiration tant que les exigences ci-dessus sont respectées.

**Vélocité de l'eau :** La vitesse maximale de l'eau dans l'ensemble de prise d'aspiration et de son couvercle pour n'importe quelle prise d'aspiration ne doit pas dépasser le débit de conception maximal de l'ensemble de la prise d'aspiration et de son couvercle. L'ensemble de la prise d'aspiration (drain) et son couvercle doivent être conformes à la dernière version de ANSI®/ASME® A112.19.8, la norme pour les raccords d'aspiration à utiliser dans les piscines, pataugeoires, spas, cuves thermiques ou son ayant droit, ANSI/ASME APSP-16.

**Essais et certification :** Les couvercles de prise d'aspiration doivent être testés par un laboratoire d'essais reconnu à l'échelle nationale et se conformer à la dernière édition publiée de ANSI/ASME A112.19.8 ou sa norme ayant droit, ANSI/APSP-16, la norme pour *Raccords d'aspiration à utiliser dans les piscines, pataugeoires, spas et cuves thermales*.

**Raccords :** Les raccords limitent le débit; pour une meilleure efficacité, utiliser le moins de raccords possibles (mais au moins deux (2) prises d'aspiration).

Éviter les raccords qui pourraient piéger de l'air.

Les raccords d'aspiration pour piscine doivent se conformer aux normes de l'International Association of Plumbing and Mechanical Officials (IAPMO).

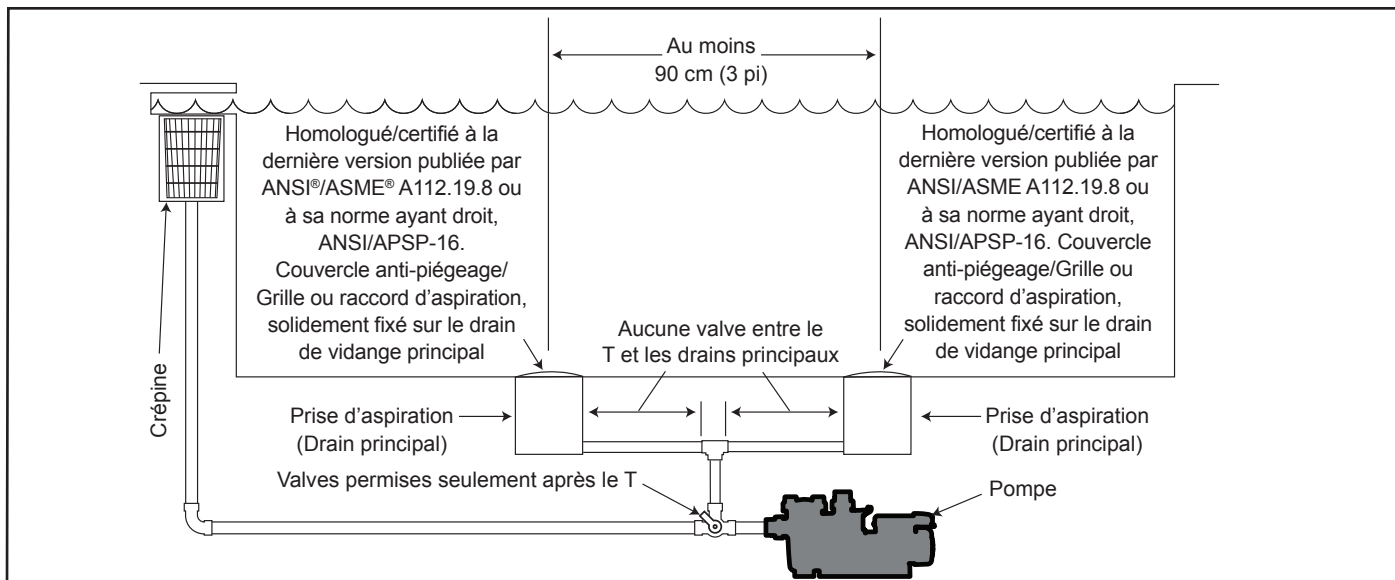


Figure 1. Nombre de prises d'aspiration par pompe

## Section 2. Description générale

### 2.1 Introduction

Ce manuel contient des informations pour l'installation, le fonctionnement et l'entretien adéquats des pompes VSFHP085AUT, VSFHP085JEP, VSFHP165AUT, et VSFHP165JEP de la Série Pro de Jandy. Les procédures indiquées dans ce manuel doivent être suivies avec précision. Pour obtenir des exemplaires de ce manuel, veuillez contacter le service à la clientèle Zodiac® au 800 822-7933. Pour l'adresse, veuillez vous reporter à la couverture arrière de ce manuel.

### 2.2 Description

La VS FloPro est une pompe à vitesse variable qui peut tourner de 600 tr/min à 3 450 tr/min. Lorsqu'elle est connectée à un contrôleur JEP-R, on peut programmer et rappeler jusqu'à huit (8) réglages de vitesse. Cela vous permet de sélectionner la vitesse la plus appropriée pour votre application. Même une programmation plus polyvalente est possible lorsque vous utilisez le contrôleur iQPUMP01, AquaLink® RS, AquaLink PDA, ou AquaLink Z4™.

La pompe est entraînée par un ECM (moteur à commutation électronique) à vitesses variables directement fixé au rotor de la pompe. Le moteur fait tourner le rotor qui force l'eau à circuler à travers la pompe. La vitesse du moteur variant, le débit à travers la pompe est également varié. Le débit ajustable permet l'optimisation du débit de l'eau pendant les exigences variées du cycle de la pompe. Pour cette raison, l'efficacité énergétique de la pompe est maximisée entraînant des économies pour le propriétaire de la piscine tout en contribuant à la sauvegarde de l'environnement.

## Section 3. Information sur l'installation

### 3.1 Plomberie

#### Information sur la préparation

1. Lors de la réception de la pompe, vérifier l'état de la boîte. Ouvrir la boîte et vérifier si la pompe comporte des dommages cachés, comme des fissures, déformations ou une base pliée. En cas de dommage, prendre contact avec l'expéditeur ou le distributeur où la pompe a été achetée.
2. Inspecter le contenu du carton et vérifier que toutes les pièces sont comprises, vous reporter à la Section 7.1, Liste des pièces de remplacement et à la vue éclatée.

#### Emplacement de la pompe

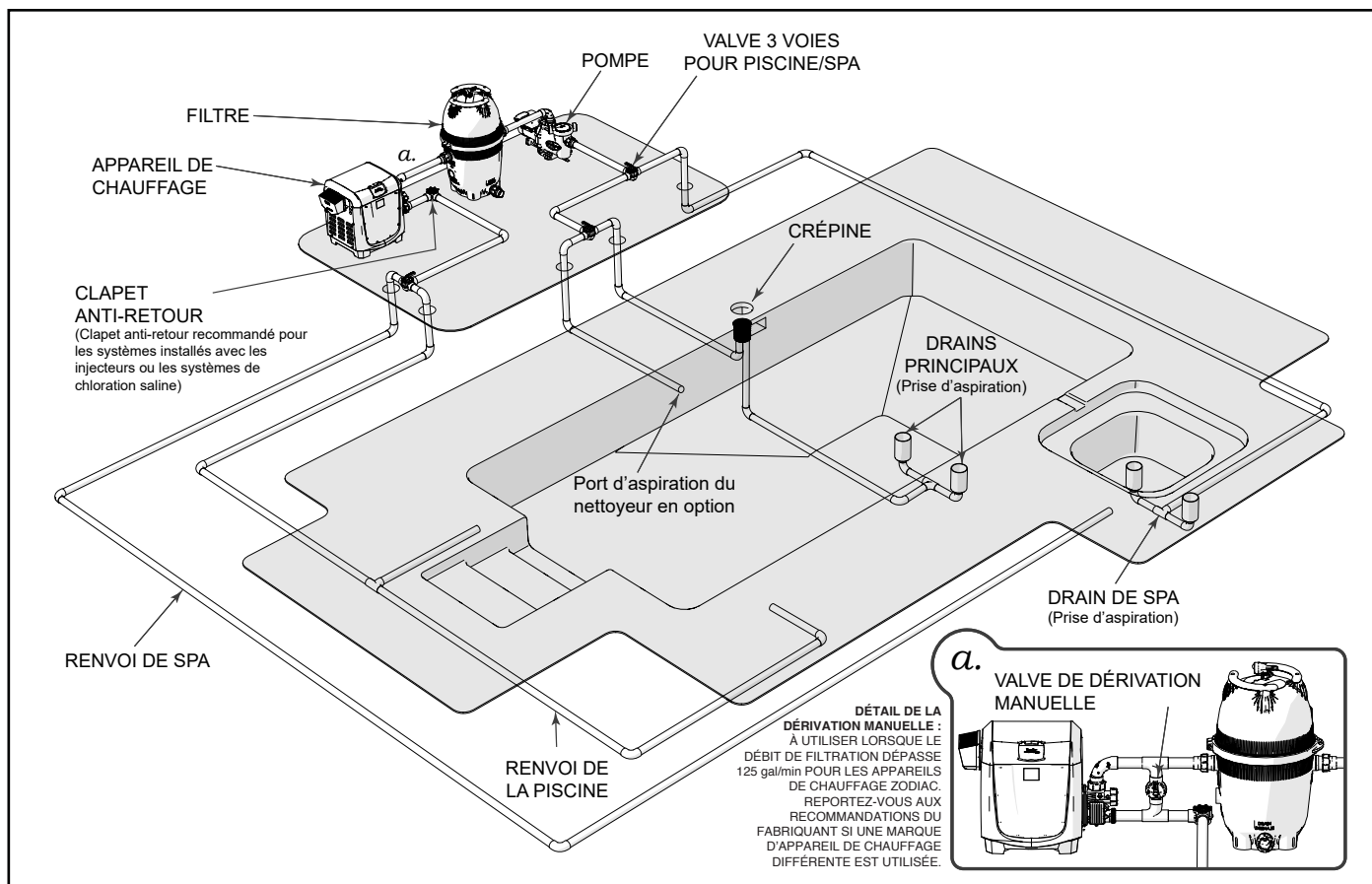
#### **⚠ Avertissement**

Pour réduire le risque d'incendie, installer l'équipement de la piscine dans une zone où les feuilles et autres débris ne risquent pas de s'accumuler sur ou autour de l'équipement. Maintenir la zone libre de débris tels que papier, feuilles, aiguilles de pin et autres matières combustibles.

1. Zodiac Pool Systems LLC recommande d'installer la pompe à un (1) pied (30 cm) au-dessus du niveau d'eau. La pompe ne doit pas être plus élevée que 152 cm (5 pi) au-dessus du niveau de l'eau de la piscine.

**REMARQUE** La pompe est certifiée NSF comme pouvant pomper à une hauteur de 3 mètres (10 pi) au-dessus du niveau de l'eau de la piscine, au niveau de la mer. Cependant, pour parvenir à un meilleur auto-amorçage, installer la pompe aussi près que possible du niveau de l'eau de la piscine.





**Figure 2. Installation de la tuyauterie typique**

- Si la pompe doit être installée sous le niveau d'eau de la piscine, des vannes d'isolation doivent être installées sur les conduites d'aspiration et de retour afin d'empêcher le reflux de l'eau de la piscine pendant les travaux d'entretien courants.
- La pompe doit être installée sur une surface solide, ferme et de niveau pour éviter le risque d'affaissement. Ne pas utiliser de sable pour mettre la pompe de niveau, car le sable est emporté par l'eau. Vérifier s'il existe d'autres exigences dans les codes locaux de construction. (ex. En Floride, les blocs d'équipement doivent être en béton et l'équipement doit être fixé sur le bloc.

### ⚠ AVERTISSEMENT

Un clapet anti-retour peut interférer avec le bon fonctionnement de certains produits du système d'évacuation d'aspiration à vide (SVRS). Pour éviter les risques de piégeage, les blessures graves ou la mort, veuillez lire le manuel de fonctionnement ou du propriétaire de votre produit SVRS particulier avant d'installer le clapet anti-retour.

**REMARQUE** Lorsque l'équipement de la piscine se trouve sous la surface de la piscine, une fuite peut entraîner une grande perte d'eau ou une inondation. Zodiac Pool Systems, LLC ne peut être tenue responsable de ces pertes d'eau ou des inondations causées par celles-ci.

- Installer la pompe de manière à ce que tout moyen de déconnexion et/ou boîtes de jonction pour connexion de l'alimentation se trouvent à portée de vue de la pompe et au moins à 152 cm (5 pi) à l'horizontal du bord de la piscine et/ou spa. Choisir un emplacement qui permettra de réduire au minimum la tuyauterie.

**REMARQUE** Au Canada, la distance minimale maintenue depuis le bord de la piscine et/ou du spa comme indiqué ci-dessus doit être de 3 mètres (10 pieds) tel que requis par le Code canadien de l'électricité (CEC, CSA, C22.1).

**REMARQUE** Zodiac Pool Systems LLC recommande de boulonner la pompe directement à la fondation.

- La fondation de la pompe doit avoir un drainage suffisant pour éviter que le moteur ne se mouille. Protéger la pompe de la pluie et du soleil.

### ⚠ MISE EN GARDE

Afin d'éviter une défaillance prématurée ou des dommages au moteur de la pompe, protégez-la de l'exposition directe à l'eau provenant des sprinklers, du ruissellement des toits et du drainage, etc. Le non-respect de cette consigne peut entraîner une défaillance de la pompe et peut également annuler la garantie.

- Une bonne ventilation est requise pour que la pompe puisse fonctionner normalement. Tous les moteurs produisent de la chaleur qui doit être éliminée en procurant une bonne ventilation.
- Fournir l'accès pour les services futurs en laissant un espace dégagé autour de la pompe. Laisser beaucoup d'espace au-dessus de la pompe pour enlever le couvercle et le panier pour le nettoyage.

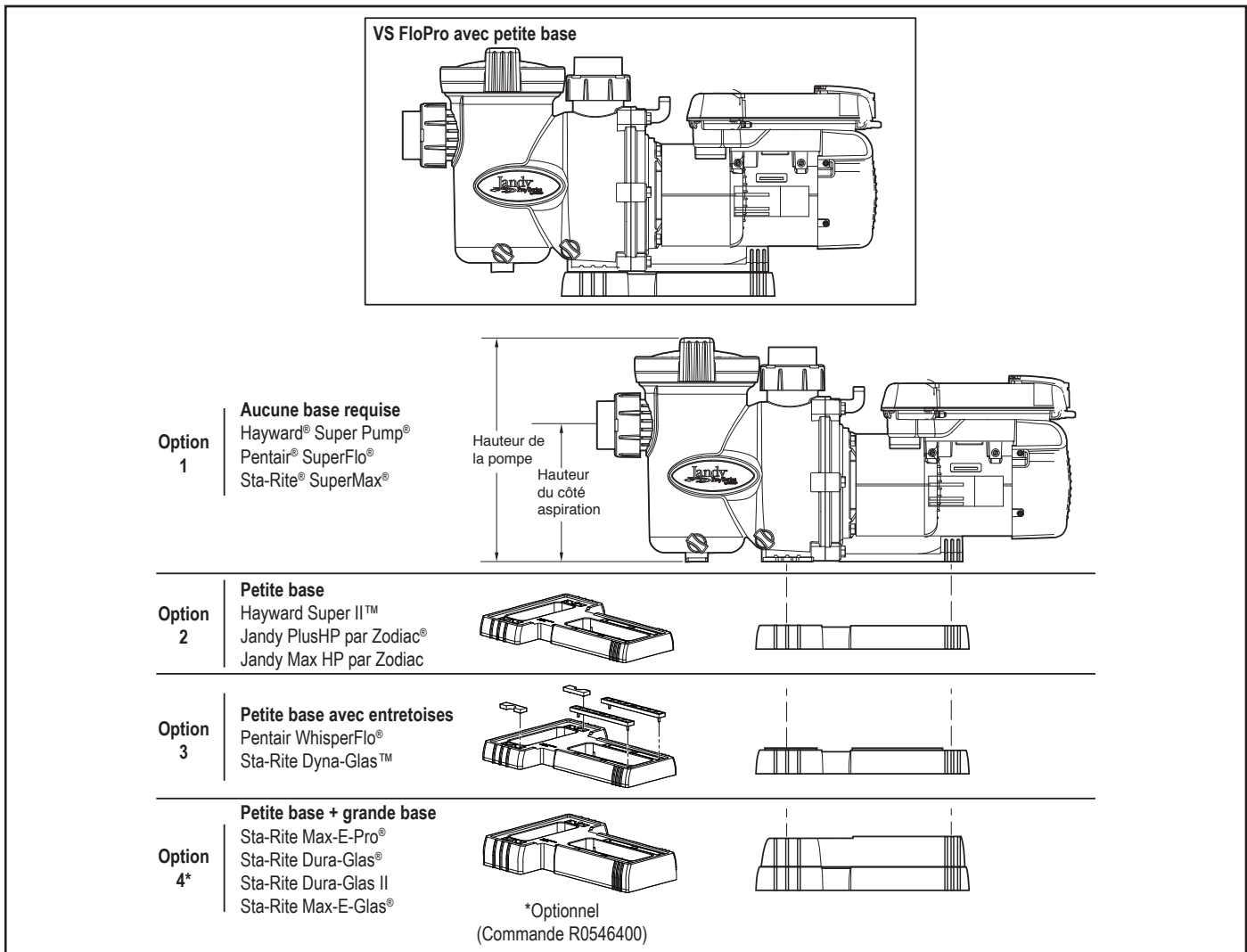


Figure 3. Pompe VS FloPro et options de base

- Si l'équipement est dans une zone sombre, fournir un éclairage suffisant.

**Grosueur des tuyaux**

Pour obtenir de l'aide avec la grosueur du tuyau d'aspiration et de refoulement, veuillez vous reporter au tableau 1.

Tableau 1. Tableau de grosueur de tuyau pour cédule 40 en PVC

Grosueur des tuyaux	Débit d'aspiration maximum (1,83 m/s - 6 pi/s)	Débit d'évacuation maximum (2,44 m/s - 8 pi/s)
1 ½ po (38 mm)	37 GPM (140 LPM)	50 GPM (189 LPM)
2 po (51 mm)	62 GPM (235 LPM)	85 GPM (322 LPM)
2 ½ po (64 mm)	88 GPM (333 LPM)	120 GPM (454 LPM)
3 po (76 mm)	136 GPM (515 LPM)	184 GPM (697 LPM)
4 po (102 mm)	234 GPM (886 LPM)	313 GPM (1185 LPM)

**Recommandation d'installation**

- Pour aider à prévenir les difficultés d'amorçage, installer le tuyau d'aspiration sans points hauts (au-dessus de l'entrée de la pompe; des U inversés, appelés couramment sas dans le domaine de la plomberie) qui pourraient piéger de l'air. Pour des installations d'équipement jusqu'à 30 m (100 pi) de l'eau, vous reporter au tableau 1, le tableau des grosueurs de tuyau. Pour des installations d'équipement de plus de 30 m (100 pi) de l'eau, la grosueur de tuyau recommandée doit passer à la grosueur suivante.
- Les pompes VS FloPro sont livrées avec des raccords sur les deux ports d'aspiration et de décharge. Cette caractéristique simplifie l'installation et l'entretien, éliminant les risques de fuites aux adaptateurs filetés.
- La pompe VS FloPro doit être connectée à au moins deux (2) drains principaux équilibré hydrauliquement pour chaque conduite d'aspiration de la pompe de la piscine. Chaque drain (prise d'aspiration) doit avoir des couvercles et doivent être certifiés selon la dernière édition publiée de ANSI®/ASME® A112.19.8, ou sa norme ayant



droit, ANSI/APSP-16. Les raccords d'aspiration des drains principaux doivent être à au moins 1 m (3 pi) ou à différents plans. Les raccords d'aspiration peuvent être un drain et une crépine, deux (2) drains, deux (2) crépines ou une crépine avec une conduite égalisatrice installée. Vérifier les codes locaux pour une bonne installation.

**REMARQUE** Pour éviter qu'il y ait piégeage, le système doit être construit de manière à ne pouvoir fonctionner lorsque la pompe tire de l'eau d'un (1) seul drain principal. Au moins deux (2) drains principaux doivent être connectés à la pompe lorsqu'elle est en fonction. Cependant, si deux (2) drains principaux deviennent une seule conduite d'aspiration, celle-ci peut être dotée d'une valve qui arrête les deux drains principaux de la pompe.

4. La tuyauterie doit être bien soutenue et non forcée ensemble où elle subira un stress constant.
5. Toujours utiliser des valves de la bonne grosseur. Les valves de dérivations et les vannes à boule de Jandy ont généralement les meilleures capacités de débit.
6. Utiliser le moins de raccords possible, surtout des coudes à 90 degrés. Chaque raccord ou longueur supplémentaire augmente la résistance au débit, ce qui fait davantage travailler la pompe.

**REMARQUE** Si plus de dix (10) raccords d'aspiration sont nécessaires, la grosseur du tuyau doit être augmentée.

7. Chaque nouvelle installation doit être testée sous pression conformément aux codes locaux.

### Remplacement d'une pompe existante

Les pompes Jandy VS FloPro peuvent facilement remplacer plusieurs pompes : Hayward® Super Pump®, Hayward Super II™, Pentair® SuperFlo®, Pentair WhisperFlo®, Jandy PlusHP (PHP), Jandy MaxHP (MHP), Sta-Rite® Dura-Glas, Sta-Rite Dura-Glas II, Sta-Rite Dyna-Glas™, Sta-Rite Max-E-Glas®, Sta-Rite Max-E-Pro®, and Sta-Rite SuperMax®.

Afin de remplacer la Pentair WhisperFlo, Jandy PlusHP, ou Jandy MaxHP, utiliser la base ajustable de la VS FloPro. La base VS FloPro (et ses entretoises) augmente la hauteur totale de la pompe et la hauteur côté aspiration de la pompe. Vous reporter au tableau 2 et à la figure 3.

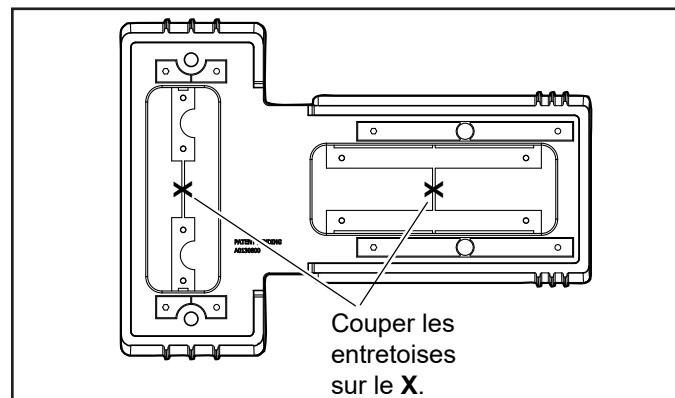
**REMARQUE** La petite base avec des entretoises réglables est fournie avec tous les modèles VS FloPro. La grande base est vendue séparément comme accessoire (numéro de pièce Jandy R0546400).

**Tableau 2. Dimensions VS FloPro**

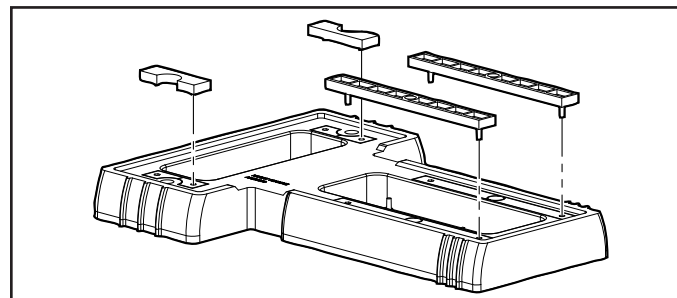
Configuration de base	Hauteur du côté aspiration	Hauteur de la pompe
1. Pompe sans base	7 3/4 po	12 3/4 po
2. Pompe avec petite base	8 7/8 po	13 7/8 po
3. Pompe avec petite base et entretoises	9 1/8 po	14 1/8 po
4. Pompe avec petite et grande base	10 3/4 po	15 3/4 po

### Installer les entretoises dans la petite base

1. À l'aide d'une fraise, couper les barres en plastique reliant les jeux d'entretoises du haut et du bas comme illustré sur la figure 4.
2. Pousser les deux (2) entretoises du haut et les deux (2) du bas hors de la base.
3. Aligner les broches dans les quatre (4) entretoises avec les trous dans la base puis enclencher les entretoises en place, comme illustré sur la figure 5.



**Figure 4. Découper les jeux d'entretoise de la base**



**Figure 5. Enclencher les entretoises en place**

## 3.2 Installation électrique

### Vérifications de la tension

La bonne tension, comme indiqué sur la plaque signalétique de la pompe et le tableau 3 à la page 10 est nécessaire pour une bonne performance et une longue durée du moteur. Une mauvaise tension diminuera la capacité de performance de la pompe et pourrait causer une surchauffe, réduire la durée du moteur et entraîner des coûts électriques plus élevés.

L'installateur électrique est responsable de fournir à la pompe la tension de fonctionnement indiquée sur la plaque signalétique en s'assurant de la taille du circuit et du câblage pour cette application précise.

Le National Electrical Code® (NEC®, NFPA-70®) exige que tous les circuits de pompe pour piscine soient pourvus d'un disjoncteur de fuite à la terre (DDFT). Par conséquent, l'installateur électrique est également responsable de s'assurer que le circuit de la pompe s'y conforme ainsi qu'à toutes les autres exigences du National Electrical Code (NEC) et autres codes d'installation en vigueur.

Tableau 3. Grosseurs de câble recommandées pour les pompes VS FloPro

GROSSEURS DE CÂBLE MINIMALES RECOMMANDÉES POUR LES POMPES VS FLOPRO*			
Distance depuis les sous-panneaux		0 à 45 mètres (0 à 150 pieds)	
Modèle	Inverse : Temps du disjoncteur ou ampères du fusible de branchement Classe : CC, G, H, J, K, RK ou T	Jauge de fil Tension 230 VCA	Jauge de fil Tension 115 VCA
VSFHP165AUT, VSFHP165JEP	15 A	12	S.O.
VSFHP085AUT, VSFHP085JEP	15 A	S.O.	12

\*Suppose trois (3) conducteurs en cuivre dans une conduite enfouie et une perte de tension maximale de 3 % dans un circuit de branchement. Tous les codes du National Electrical Code® (NEC®) ou du Code canadien de l'électricité (CCE) et les codes locaux doivent être respectés. Le tableau montre la grosseur de fil minimale et les recommandations pour le fusible de branchement dans une installation standard.

**⚠ MISE EN GARDE**

Le défaut de fournir une tension selon la plaque signalétique (dans les 10 %) pendant l'opération entraînera la surchauffe du moteur et annulera la garantie.

**Liaison et mise à la terre**

- En plus d'être correctement mis à la terre tel que décrit dans la section *Câblage électrique* et conformément aux exigences du National Electrical Code (NEC), ou au Canada le Code Canadien de l'électricité (CCE). Le moteur de la pompe doit être relié aux pièces métalliques de la piscine, du spa ou de la cuve thermale et à tous les composants et équipement électrique avec le système de circulation d'eau de la piscine ou du spa.
- Cette liaison doit être réalisée en utilisant un conducteur en cuivre plein, AWG n° 8 ou plus gros. Au Canada, il faut utiliser du AWG n° 6 ou plus gros. Relier le moteur en utilisant la languette de liaison externe fournie sur le cadre du moteur.

**⚠ AVERTISSEMENT**

Il faut toujours déconnecter la source d'alimentation électrique avant de travailler sur un moteur ou sa charge connectée. Attendez cinq 5 minutes avant de réparer l'unité.

**⚠ AVERTISSEMENT**

S'assurer que le commutateur de contrôle, l'horloge ou le système de contrôle est installé à un endroit accessible afin qu'en cas de défaillance de l'équipement ou d'un raccord de plomberie desserré, l'équipement peut être désactivé. Cet endroit ne doit pas être dans la même zone que la pompe de la piscine, le filtre et autre équipement.

**⚠ MISE EN GARDE**

La pompe doit être connectée de manière permanente à un circuit électrique dédié. Aucun autre équipement, éclairage, appareil ou prise de courant ne peut être connecté au circuit de pompe.

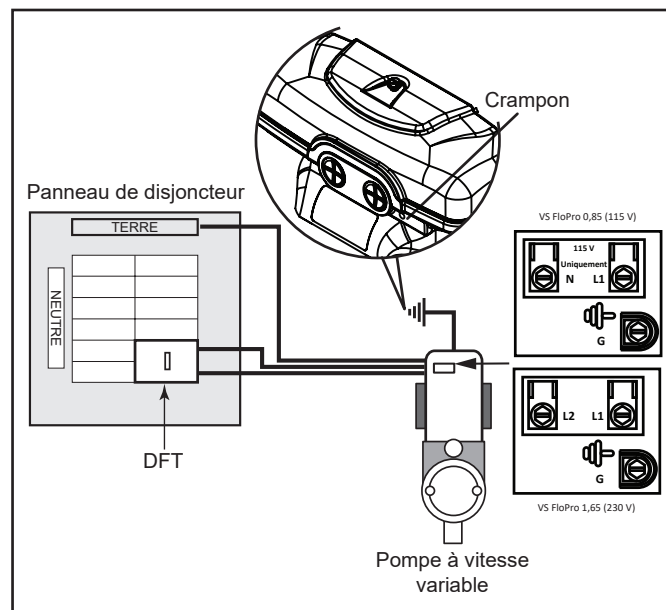


Figure 6. Liaison du moteur

**Câblage électrique**

- Le moteur de la pompe doit être mis à la terre de façon sûre et adéquate en utilisant la vis verte fournie. Mettre à la terre avant de connecter à une alimentation électrique. Ne pas mettre à la terre à une conduite d'alimentation en gaz.
- La grosseur du fil doit être adéquate pour minimiser la chute de tension pendant le démarrage et le fonctionnement de la pompe. Vous reporter aux grosseurs de fil sur le tableau 3.
- Soigneusement isoler toutes les connexions pour prévenir les mises à la terre ou les court-circuits. Les arêtes vives sur les bornes nécessitent une protection supplémentaire. Pour la sécurité et pour empêcher l'entrée de contaminants, réinstaller tous les couvercles de boîtes de conduit et de bornes. Ne pas forcer les connexions dans la boîte de conduit.

**REMARQUE** L'alimentation électrique seule ne suffit pas pour faire fonctionner la pompe. Une commande numérique doit aussi être envoyée au contrôleur de vitesse variable (JEP-R), au contrôleur iQPUMP01, au contrôleur AquaLink® RS, à l'assistant numérique pour piscine AquaLink (Pool Digital Assistant-PDA) ou au AquaLink Z4™, pour fonctionner à la vitesse choisie.

### Options du contrôleur VS FloPro

La pompe VS FloPro peut être opérée par un des cinq contrôleurs : le contrôleur à vitesse variable JEP-R, le contrôleur iQPUMP, le contrôleur AquaLink RS (Rev O ou plus récent), le AquaLink PDA (Rev 4.0 ou plus récent), ou le AquaLink Z4. La pompe à vitesse variable VS FloPro communique avec les contrôleurs par une interface à quatre fils RS-485.

### Options d'installation du contrôleur

Les pompes VSFHP085JEP et VSFHP165JEP sont préalablement configurées pour le contrôleur à vitesse variable JEP-R avec les réglages du commutateur DIP préalablement configurés pour fonctionner avec ce contrôleur. Les pompes VSFHP085AUT et VSFHP165AUT sont livrées préalablement configurées pour une installation avec AquaLink RS, AquaLink PDA, ou AquaLink Z4.

### Pour installer avec un contrôleur AquaLink RS (Rev O ou plus récent), un AquaLink PDA (Rev 4.0 ou plus récent), ou un AquaLink Z4 :

1. Supprimer l'alimentation de la pompe VS FloPro en déconnectant les lignes haute tension ou en coupant tout disjoncteur auquel l'alimentation à la pompe VS FloPro est connectée.

#### **⚠ AVERTISSEMENT**

#### **RISQUE DE CHOC ÉLECTRIQUE**

Éteindre tous les commutateurs et le disjoncteur principal du circuit électrique de la pompe à vitesse variable et attendre 5 minutes avant de commencer la procédure. Le défaut de se conformer peut entraîner un risque d'électrocution entraînant de grave blessure corporelle ou la mort.

2. Retirer le couvercle d'accès pour effectuer les connexions électriques au moteur.
3. Glisser les commutateurs DIP 1 et 2 en position désactivée (OFF). Glisser le commutateur DIP 5 en position activée (ON). Voir la Figure 7.
4. Sélectionner la ou les adresses désirée(s) pour la pompe en réglant les commutateurs DIP 3 et/ou 4, comme illustré à la Section 3.3, *Réglages des commutateurs DIP de la pompe VS FloPro*.
5. Si un câble RS-485 ou un contrôleur JEP-R est déjà installé :
  - a. déconnecter le câble RS-485 de la tête à 4 broches sur l'entraînement de la pompe.

Remarque : Ne pas couper le câble, sinon la capacité de revenir à la configuration d'usine par défaut sera perdue.

- b. Connecter le nouveau câble RS-485 de AquaLink par le raccord de compression disponible et faire passer le câble à 4 conducteurs dans le port fileté de l'entraînement du moteur le plus proche du connecteur. Figure 7.

6. Connecter le connecteur RS-485 sur le AquaLink® RS (ou la carte interface du multiplexeur), en faisant correspondre les couleurs de fils aux positions du connecteur comme suit : 1-rouge, 2-noir, 3-jaune et 4-vert. Voir la Figure 7.
7. Fixez le couvercle d'accès au câblage sur le moteur de la pompe.
8. Rétablir l'alimentation de la pompe et vérifier le fonctionnement du contrôleur.
9. Consulter le manuel approprié pour la configuration et le fonctionnement de la pompe : Manuel du propriétaire AquaLink RS, 6593, manuel du propriétaire AquaLink PDA, H0572300, ou manuel du propriétaire AquaLink Z4™, H0386600.

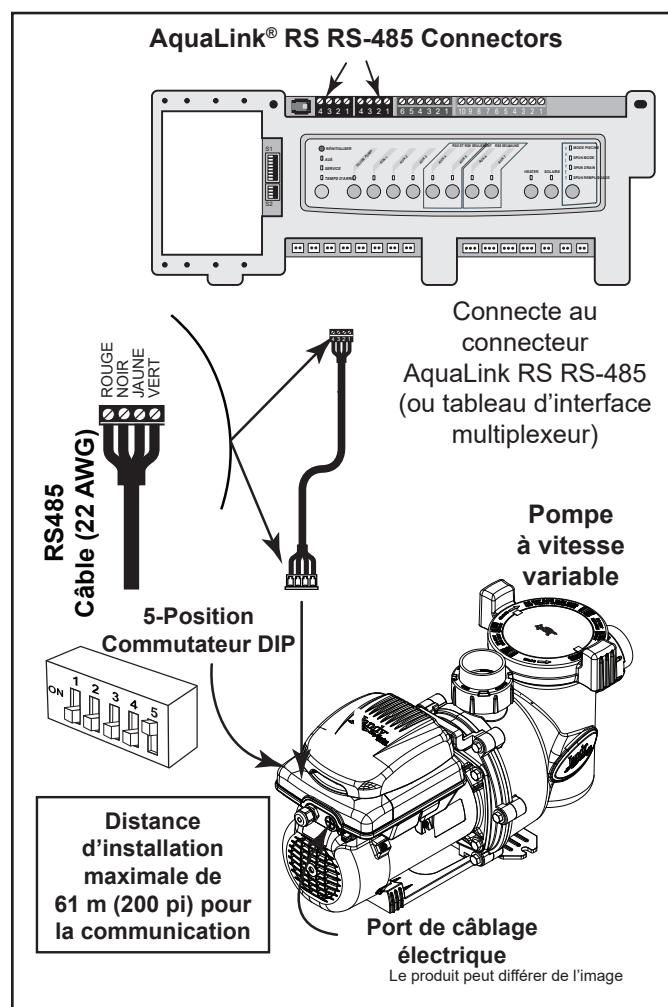


Figure 7. Câblage du contrôleur AquaLink RS ou AquaLink PDA

### Montage à distance JEP-R

Le contrôleur à vitesse variable peut être monté à distance sur une surface verticale protégée contre les éléments.

Suivre attentivement les directives pour conserver la possibilité de réinstaller le contrôleur à vitesse variable sur la pompe. Inverser ces instructions pour terminer la réinstallation. Voir la Figure 8.

#### ⚠ AVERTISSEMENT

##### RISQUE DE CHOC ÉLECTRIQUE

Éteindre tous les commutateurs et le disjoncteur principal du circuit électrique de la pompe à vitesse variable et attendre 5 minutes avant de commencer la procédure. Le défaut de se conformer peut entraîner un risque d'électrocution entraînant de grave blessure corporelle ou la mort.

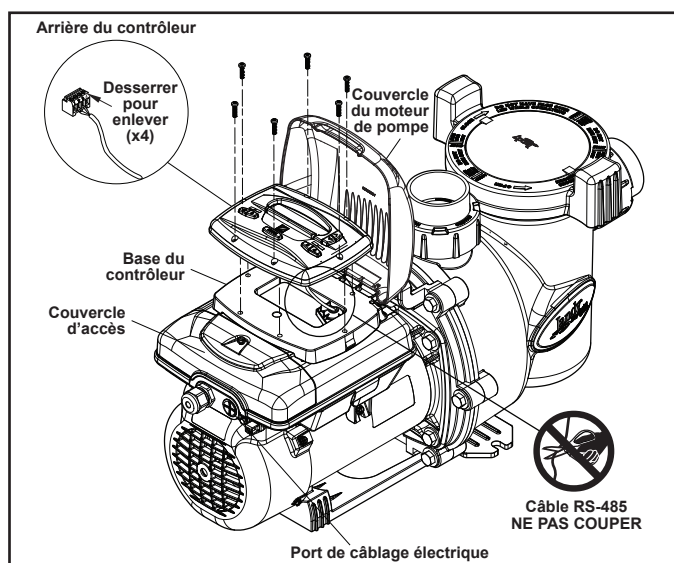


Figure 8. Déconnecter le contrôleur à vitesse variable de la pompe

#### ⚠ AVERTISSEMENT

Avant de déterminer l'acheminement et la protection de câblage du contrôleur à vitesse variable, s'assurer de respecter tous les codes du National Electrical Code® (NEC®) ainsi que tous les codes locaux. Les exigences du code NEC interdisent l'acheminement des câbles de signalisation dans des conduits ou canalisations utilisés pour les branchements, alimentation ou conducteurs de service. NEC procure aussi des recommandations ayant trait à la protection contre la foudre pour l'acheminement bâtiment à bâtiment de câbles de signalisation.

### À la pompe :

1. Supprimer l'alimentation de la pompe en déconnectant les lignes haute tension ou en coupant tout disjoncteur auquel l'alimentation à la pompe est connectée.
2. Soulever le couvercle du contrôleur sur ses charnières pour accéder au contrôleur à vitesse variable.
3. Retirez les six (6) vis pour déconnecter le contrôleur à vitesse variable à partir du contrôleur de base sur le moteur de la pompe.
4. Détacher le câble RS-485 connectant le contrôleur à vitesse variable de l'interface utilisateur à la base du contrôleur sur le moteur. Ne pas trop prolonger le câble avant de relever le contrôleur hors du moteur.
5. Dévisser les quatre (4) bornes du connecteur et déconnecter les fils du faisceau de câble du moteur.  
**Remarque :** Ne pas couper le câble, sinon la capacité de revenir à la configuration d'usine par défaut sera perdue.
6. Enrouler le fil libre dans la pochette de la base du contrôleur. Ce fil sera utilisé pour la réinstallation du contrôleur à vitesse variable sur la pompe.
7. Fixer le couvercle de la pochette et le joint d'étanchéité avec les six (6) vis à la base du contrôleur à vitesse variable sur le moteur.
8. Retirer la vis et le couvercle d'accès pour effectuer les connexions électriques au moteur.
9. Insérer l'extrémité libre du nouveau câble RS-485 par le raccord de compression disponible et faire passer le câble à 4 conducteurs dans le port fileté de l'entraînement du moteur le plus proche du connecteur.
10. Préparer le câble et fixer un autre connecteur à 4 broches, en faisant correspondre les couleurs de fil, Figure 7.
11. Insérer le connecteur RS-485 sur le connecteur RS-485 correspondant sur le moteur PCB.
12. Fixer l'écrou du raccord de compression autour du câble afin de fixer le moteur.
13. Vérifier que les réglages du commutateur DIP correspondent à la figure 7.
14. Réinstaller le couvercle d'accès avec la vis retirée à l'étape 8.

Suivre les instructions dans le manuel d'installation et du propriétaire du contrôleur à vitesse variable (H0412200) pour terminer le montage à distance du contrôleur.

### Pour installer le contrôleur à vitesse variable JEP-R :

#### IMPORTANT

L'installateur doit ACTIVER les commutateurs DIP 1 et 2 à la pompe lorsqu'elle est connectée au contrôleur à vitesse variable JEP-R ou iQPUMP01.



1. Supprimer l'alimentation de la pompe en déconnectant les lignes haute tension ou en ouvrant tout disjoncteur auquel l'alimentation à la pompe est connectée.

### ⚠ AVERTISSEMENT

#### RISQUE DE CHOC ÉLECTRIQUE

Éteindre tous les commutateurs et le disjoncteur principal du circuit électrique de la pompe à vitesse variable et attendre 5 minutes avant de commencer la procédure. Le défaut de se conformer peut entraîner un risque d'électrocution entraînant de grave blessure corporelle ou la mort.

2. Retirer le couvercle de la boîte de jonction et faire passer le câble RS-485 dans le raccord.
3. Débrancher le connecteur RS-485.
4. Fixer les quatre (4) fils dans le câble RS-485 au connecteur RS-485. Faire correspondre les couleurs de fils aux positions sur le connecteur : 1-rouge, 2-noir, 3-jaune et 4-vert. Voir la Figure 9.
5. Réinsérer le connecteur RS-485 dans la pompe.
6. Glisser les commutateurs DIP 1 et 2 en position activée (ON) et glisser les commutateurs 3 et 4 vers la position désactivée (OFF). Voir la Figure 9.

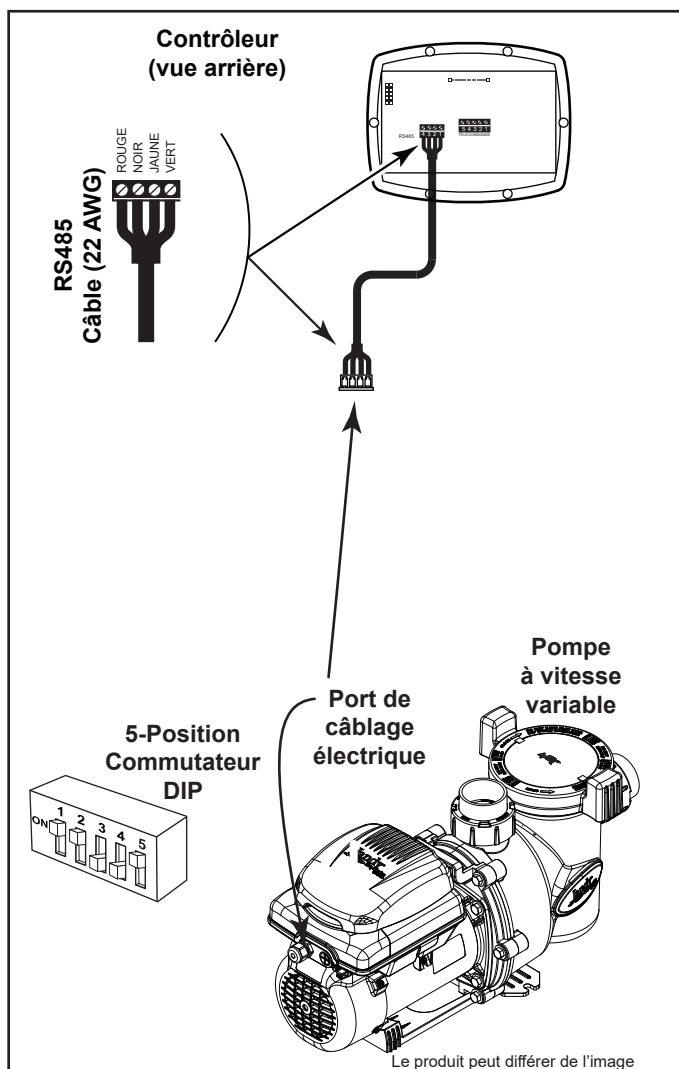


Figure 9. Câblage du contrôleur à vitesse variable (JEP-R)

7. Connecter l'autre extrémité du câble dans le contrôleur. Faire correspondre les couleurs des fils avec les positions appropriées du connecteur comme suit : 1-rouge, 2-noir, 3-jaune et 4-vert.
8. Fixez le couvercle d'accès au câblage sur le moteur de la pompe.
9. Rétablir l'alimentation de la pompe et vérifier le fonctionnement du contrôleur.
10. Vous reporter au manuel du propriétaire du contrôleur à vitesse variable, H0412200, pour faire fonctionner la pompe.

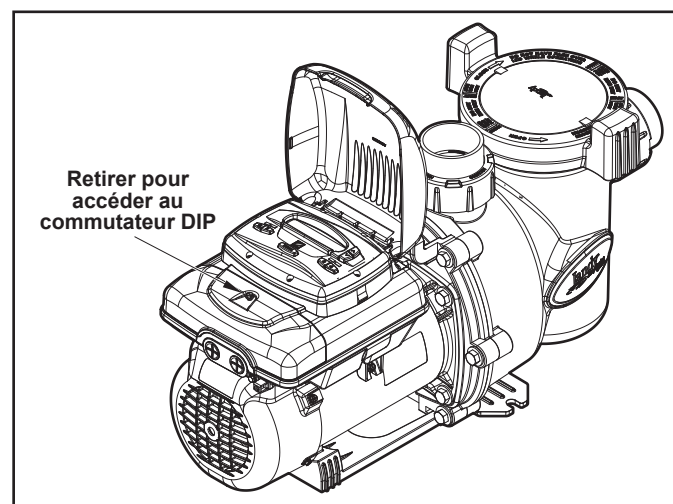


Figure 10. Couvercle d'accès au commutateur DIP

### 3.3 Réglages du commutateur DIP de la pompe VS FloPro

Le commutateur DIP 5 positions se trouve à l'arrière de la pompe VS FloPro. Ce commutateur DIP a deux (2) fonctions : il sélectionne l'adresse de la pompe et il détermine le type de contrôleur qui sera utilisé avec la pompe.

Tableau 4. 5-Position Réglages du Commutateur DIP

Commutateur 1	Commutateur 2	Commutateur 5	Contrôleur
DÉSACTIVÉ	DÉSACTIVÉ	ACTIVÉ	AquaLink RS, AquaLink PDA, ou AquaLink Z4™
ACTIVÉ	ACTIVÉ	ACTIVÉ	JEP-R et iQPUMP01
Commutateur 3	Commutateur 4	Adresse de la pompe	
DÉSACTIVÉ	DÉSACTIVÉ	POMPE 1	
ACTIVÉ	DÉSACTIVÉ	POMPE 2	
DÉSACTIVÉ	ACTIVÉ	POMPE 3	
ACTIVÉ	ACTIVÉ	POMPE 4	

### 3.4 Effectuer un test de pression

#### AVERTISSEMENT

Lors du test sous pression d'un système avec eau, l'air est souvent emprisonné dans le système pendant le processus de remplissage. Cet air se comprime lorsque le système est sous pression. Si le système fait défaillance, cet air emprisonné peut projeter des débris avec une grande vitesse et blesser. Il faut prendre toutes les mesures possibles pour éliminer l'air emprisonné, y compris l'ouverture de la vanne de purge sur le filtre et le desserrage du panier de la pompe pendant le remplissage de la pompe.

#### AVERTISSEMENT

La présence d'air coincé dans le système peut faire sauter le couvercle du filtre et entraîner la mort, de graves blessures ou des dommages matériels. Veillez à ce que tout l'air soit adéquatement purgé du système avant d'utiliser l'équipement. **NE PAS UTILISER D'AIR COMPRIMÉ POUR FAIRE UN TEST DE PRESSION NI VÉRIFIER LA PRÉSENCE DE FUITES.**

#### AVERTISSEMENT

##### RISQUE DE CHOC ÉLECTRIQUE

N'effectuez pas de test de pression au-delà de 2.41 BAR (35 PSI). Le test de pression doit être exécuté par un spécialiste en équipements de piscine. L'équipement de circulation qui n'est pas correctement testé risque de faire défaillance, pouvant entraîner de graves blessures ou des dommages matériels.

#### AVERTISSEMENT

Lors d'un test de pression du système avec de l'eau, il est très important de s'assurer que le couvercle du panier de pompe est bien fixé.

1. Remplir le système d'eau, en prenant soin d'éliminer l'air piégé.
2. Mettre le système sous pression avec de l'eau à pas plus de **2,41 BAR (35 PSI)**.
3. Fermer la valve pour piéger l'eau sous pression dans le système.
4. Vérifier si le système présente des fuites et/ou une baisse de pression.
5. S'il y a des fuites au couvercle, répéter la procédure. Pour obtenir le soutien technique Zodiac, composer le 800 822-7933.

## Section 4. Fonctionnement

### 4.1 Mise en service

#### MISE EN GARDE

Ne jamais utiliser la pompe sans eau. Faire fonctionner la pompe « à sec » pendant un certain temps peut causer de graves dommages à la pompe et au moteur et annulera la garantie.

Lors d'une installation de piscine neuve, veiller à ce que toute la tuyauterie soit libre de débris de construction et qu'elle a été adéquatement testée sous pression. La bonne installation du filtre doit être vérifiée ainsi que la fixation des connexions et des colliers conformément aux recommandations du fabricant.

#### AVERTISSEMENT

Pour éviter tout risque de dommages matériel ou de blessures corporelles graves, voire la mort, vérifier que l'alimentation est coupée avant de commencer la procédure.

1. En fonction de l'emplacement de la pompe, faire ce qui suit :
  - Si la pompe est située sous le niveau d'eau de la piscine, ouvrir la soupape de décharge de pression du filtre pour amorcer la pompe avec de l'eau.
  - Si la pompe est située au-dessus du niveau de l'eau, retirer le couvercle et remplir le préfiltre d'eau avant de démarrer la pompe.
2. Avant de remettre en place le couvercle, vérifier qu'il n'y a pas de débris autour du joint torique dans le couvercle. La présence de débris autour du joint torique dans le couvercle provoquera une fuite d'air dans le système et rendra difficile l'amorçage de la pompe.
3. Serrer le couvercle à la main pour assurer une bonne étanchéité. N'utiliser aucun outil pour serrer le couvercle; serrer uniquement à la main. Veiller à ce que toutes les valves soient ouvertes et que les raccords soient serrés.
4. Rétablir l'alimentation électrique à la pompe. Puis allumez la pompe en suivant les instructions du manuel du contrôleur de vitesse variable ou du système d'automatisation.
5. Lorsqu'il n'y a plus d'air dans le filtre, fermer le clapet de décharge de pression.
6. La pompe devrait s'amorcer. Le temps qu'il faut pour amorcer dépendra de l'élévation et de la longueur du tuyau utilisé sur le tuyau d'alimentation d'aspiration. Vous reporter aux *Recommandations d'installation* à la Section 3.1 pour connaître la bonne élévation et grandeur de tuyau.



Le régime d'amorçage par défaut est de 2 750 tr/min. Il faudra environ 14 à 15 minutes pour amorcer la pompe à cette vitesse lorsque la pompe est située à 3 mètres (10 pieds) au-dessus de l'eau de la piscine. Si le régime d'amorçage est réglé à 3 450 tr/min, la pompe devrait s'amorcer dans les 6 minutes à 3 mètres (10 pieds) au-dessus du niveau de l'eau.

**REMARQUE** La pompe est certifiée NSF comme pouvant pomper à une hauteur de 3 mètres (10 pi) au-dessus du niveau de l'eau de la piscine, au niveau de la mer. Cependant, pour parvenir à un meilleur auto-amorçage, installer la pompe aussi près que possible du niveau de l'eau de la piscine.

- Si la pompe ne s'amorce pas et toutes les instructions à ce stade ont été respectées, vérifier s'il y a une fuite d'aspiration. S'il n'y a pas de fuite, répéter les étapes 2 à 7.
- Pour une assistance technique, veuillez appeler le soutien technique Zodiac® au 800 822-7933.

## Section 5. Service et entretien

### ⚠ MISE EN GARDE

Pour éviter d'endommager le plastique, ne pas utiliser de lubrifiant ni de mastic sur le joint torique. Il faut utiliser seulement de l'eau savonneuse pour installer et lubrifier le joint torique.

### 5.1 Pour retirer le couvercle de la pompe

- S'assurer que la pompe est éteinte.
- S'assurer que le commutateur au coupe-circuit qui alimente le moteur de la pompe est hors tension.

### ⚠ AVERTISSEMENT

#### RISQUE DE CHOC ÉLECTRIQUE

Éteindre tous les commutateurs et le disjoncteur principal du circuit électrique de la pompe à vitesse variable et attendre 5 minutes avant de commencer la procédure. Le défaut de se conformer peut entraîner un risque d'électrocution entraînant de grave blessure corporelle ou la mort.

### ⚠ AVERTISSEMENT

#### RISQUE DE CHOC ÉLECTRIQUE

En raison du risque potentiel d'incendie, d'électrocution ou de blessures corporelles, les pompes Zodiac® doivent être installées conformément au National Electrical Code® (NEC®), aux codes électriques et de sécurité locaux, ainsi que selon la loi Occupational Safety and Health Act (OSHA). Il est possible de commander des copies du NEC auprès de la National Protection Association, 470 Atlantic Ave., Boston, MA 02210 ou de votre agence d'inspection du gouvernement.

Au Canada, les pompes Zodiac doivent être installées conformément au Code canadien de l'électricité (CCE).

- S'assurer que toutes les valves d'isolation nécessaires sont fermées pour empêcher l'eau de la piscine d'atteindre la pompe.
- En suivant les repères sur l'anneau de blocage, tourner la bague dans le sens anti-horaire jusqu'à ce que les repères de démarrage (START) s'alignent avec les ports. Vous reporter aux figures 13 et 14.
- Retirer délicatement l'anneau de blocage

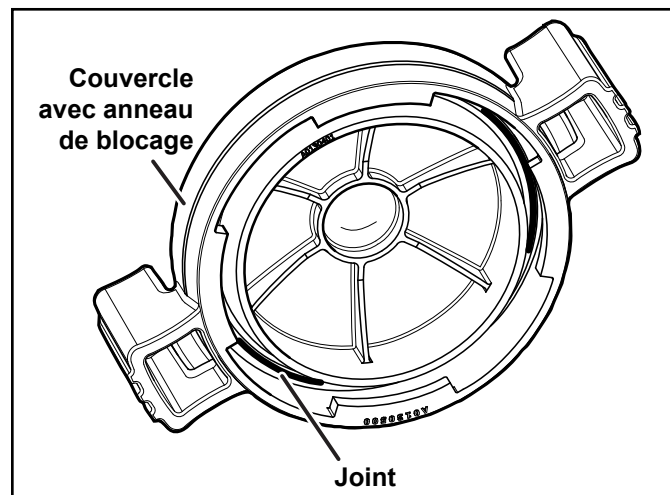


Figure 13. Joint torique dans le couvercle

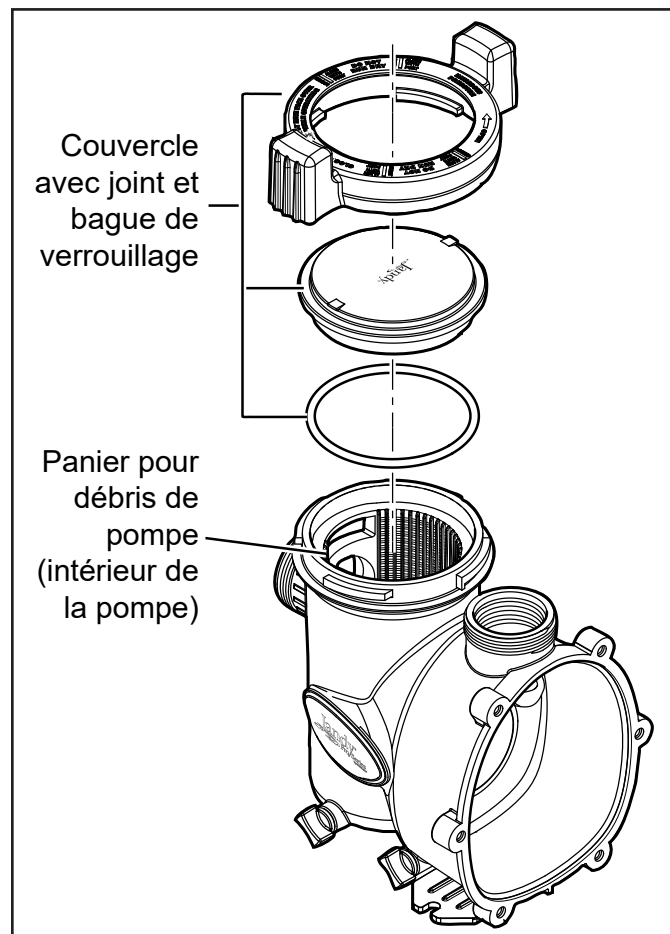


Figure 14. Vue éclatée de la pompe

## 5.2 Nettoyer le panier filtre pour débris Pompe

Inspecter s'il y a des débris dans le panier du filtre de la pompe en regardant à travers le couvercle transparent de la pompe. Retirer tous les débris, car à mesure qu'ils s'accumulent, ils bloquent le débit de l'eau dans la pompe. Maintenir le panier propre pour améliorer le rendement de la pompe.

1. Couper l'alimentation à la pompe. Si la pompe se trouve sous le niveau de l'eau, fermer les valves d'isolation sur les côtés aspiration et décharge de la pompe pour empêcher le refoulement de l'eau.
2. Tourner la bague de blocage du couvercle dans le sens anti-horaire jusqu'à ce que le mot START (Démarrage) soit aligné avec les ports. Délicatement, retirer le couvercle.

### ⚠ MISE EN GARDE

Un panier mal aligné ne permettra pas de poser correctement le couvercle, permettant une fuite d'air, qui pourrait entraîner des dommages à la pompe.

3. Sortir le panier de la pompe.
4. Jeter les débris et soigneusement nettoyer le panier, en s'assurant que tous les trous sont ouverts. En utilisant le boyau d'arrosage, asperger le panier depuis l'extérieur pour aider à dégager les trous. Retirer les débris restants à la main.
5. Reposer le panier dans la pompe en alignant l'ouverture avec le tuyau d'aspiration. S'il est bien aligné, le panier descendra facilement en place. **Ne pas forcer en place.**
6. Retirer le joint d'étanchéité du couvercle et retirer les débris autour du siège du joint d'étanchéité, car ceci peut permettre l'entrée d'air dans le système. Nettoyer le joint d'étanchéité et le poser sur le couvercle.
7. Reposer le couvercle avec l'anneau de blocage. **Serrer le couvercle à la main** pour assurer une bonne étanchéité. Ne pas utiliser d'outil pour serrer le couvercle : **serrer à la main seulement.**
8. Vérifier que toutes les valves sont de nouveau à la bonne position pour une opération normale.
9. Ouvrir le clapet de décharge de pression sur le filtre, et veiller à ce qu'il soit propre et prêt à fonctionner.
10. Mettre la pompe sous tension. Lorsque l'air a été évacué du filtre, fermer le clapet de décharge de pression.

## 5.3 Préparation de la pompe pour l'hiver

### ⚠ MISE EN GARDE

La pompe **doit être** protégée en prévision des températures de gel. Si la pompe gèle, cela causera de graves dommages qui annuleront la garantie.

### ⚠ MISE EN GARDE

**Ne pas utiliser de solutions d'antigel dans les systèmes de piscine, de spa ou de bain thermal!**

L'antigel est très toxique et peut endommager le système de circulation. La seule exception est le propylène glycol. Pour plus d'informations, consultez votre détaillant local en piscine/spa ou prenez contact avec une entreprise d'entretien de piscine qualifiée.

1. Vidanger toute l'eau de la pompe, de l'équipement du système et de la tuyauterie.
2. Retirer les deux (2) bouchons de vidange. Ranger les bouchons de vidange dans un endroit sûr et les réinstaller lorsque la saison froide est terminée. **Veiller à ne pas perdre les joints toriques des bouchons de vidange.**
3. Garder le moteur couvert et au sec. Ne pas couvrir la pompe avec du plastique, car ceci va créer de la condensation susceptible d'endommager la pompe.

**REMARQUE** Zodiac Pool Systems LLC recommande de faire déconnecter le câblage électrique au commutateur ou à la boîte de jonction par un technicien d'entretien ou un électricien certifié. Une fois l'alimentation coupée, desserrer les deux (2) raccords et ranger les pompes à l'intérieur. Pour la sécurité et pour empêcher l'entrée de contaminants, réinstaller tous les couvercles de boîtes de conduit et de bornes.

4. Lorsque le système est rouvert pour la mise en marche, demandez à un technicien ou un électricien de vérifier que toute la tuyauterie, toutes les valves, tout le câblage et l'équipement est conforme aux recommandations du fabricant. Prêter une attention particulière au filtre et aux connexions électriques.
5. La pompe doit être amorcée avant d'être démarrée. Se reporter à la section 4.1. La mise en marche.

## Section 6. Dépannage et réparation

Zodiac® vous recommande fortement d'appeler un technicien qualifié pour toute intervention sur le système de filtration/pompe. Pour trouver un technicien qualifié, consultez le bottin téléphonique de votre région ou visitez [www.zodiacpoolsystems.com](http://www.zodiacpoolsystems.com) ou [www.zodiacpoolsystems.ca](http://www.zodiacpoolsystems.ca) et cliquez sur « Points de vente. »

Symptôme	Cause possible/Solution
Le système de nettoyage/circulation ne fonctionne pas correctement.	<p>Vérifier que les paniers crépine, le panier de la pompe et les autres tamis sont propres. Nettoyer au besoin.</p> <p>Vérifier le filtre et nettoyer au besoin.</p> <p>Vérifier la position du clapet de retour. Ajuster au besoin.</p> <p><b>REMARQUE</b> Si plusieurs pièces d'équipement fonctionnent en même temps (par exemple, fontaines, jets de spa et renvois en surface), cela peut affecter le bon fonctionnement du système de nettoyage.</p> <p>Vérifier le manuel du système de nettoyage pour s'assurer que le système est réglé conformément aux recommandations du fabricant.</p>
Présence de bulles dans le panier de la pompe.	<p>Il y a de l'air dans le système. Vérifier le niveau d'eau de la piscine ou du spa pour s'assurer qu'il est au bon niveau et qu'il n'y a pas d'air qui est aspiré dans la tuyauterie d'aspiration. Si l'eau est au niveau normal, éteindre la pompe. Tourner la bague de blocage du couvercle dans le sens anti-horaire jusqu'à ce que le mot START (Démarrage) soit aligné avec les ports. Retirer le couvercle et effectuer une inspection visuelle du joint d'étanchéité pour détecter des fissures ou écarts sur la surface en caoutchouc. S'il n'y en a pas, utiliser un chiffon propre pour essuyer la surface (remarque : une matière noire provenant du joint d'étanchéité peut se reporter sur le chiffon). Utiliser le chiffon de nouveau pour nettoyer la surface de contact du logement. L'utilisation d'une très petite quantité de lubrifiant au silicone (pas de Vaseline) aidera à faire une bonne étanchéité et à protéger le joint d'étanchéité du couvercle. Aligner le mot « START » (démarrer) avec les ports et tourner la bague de blocage dans le sens horaire jusqu'à ce que le mot « LOCKED » (verrouillé) s'aligne avec les ports. <b>Serrer le couvercle à la main</b> pour assurer une bonne étanchéité. <b>N'utilisez aucun outil pour serrer le couvercle.</b> Remettre la pompe en marche. Si le problème n'est pas résolu, le remplacement du joint d'étanchéité du couvercle peut être nécessaire.</p>
Il reste des fuites d'air.	<p>Vérifier le côté aspiration du raccord de tuyauterie. Pendant que la pompe fonctionne, essayer de serrer le raccord. Si cela n'interrompt pas la fuite d'air, arrêter la pompe. Serrer les deux raccords et glisser la pompe hors du chemin. Retirer, nettoyer et reposer les joints toriques des deux raccords.</p> <p>Repositionner la pompe à côté de la tuyauterie et fixer les écrous-raccords de la pompe. Avec des joints toriques de raccord propres, le serrage à la main des raccords devrait créer une étanchéité. Si les raccords ne font pas l'étanchéité, serrer délicatement avec une grande paire de pince à languette et rainure.</p> <p><b>Ne pas trop serrer.</b></p>
Il n'y a pas d'air dans le système, mais la pression est toujours basse.	<p>Il est possible que des débris soient coincés dans le rotor de la pompe. Le rotor de la pompe déplace l'eau et les ailettes du rotor peuvent être bloquées par des débris. Vous reporter à la <i>Section 6.1, Entretien par un technicien et rotor bloqué</i>, dans ce manuel pour plus d'informations.</p>
Il n'y a pas de débris qui bloquent le rotor et la pression est toujours basse.	<p>Le rotor de la pompe et le diffuseur montrent des signes d'usure normale. Demander à un technicien d'entretien qualifié de vérifier le rotor et le diffuseur, et de remplacer au besoin.</p> <p>Si la pompe fait partie d'une installation relativement nouvelle, cela peut être un problème électrique. Prendre contact avec un technicien d'entretien qualifié. Demander à un technicien de vérifier le serrage des connexions électriques ainsi que la tension du moteur de la pompe lorsqu'elle est en fonction. La tension doit être autour des 10 % la tension indiquée sur la plaque signalétique du moteur. Si la tension ne se situe pas dans les 10 %, prendre contact avec un électricien qualifié et/ou le fournisseur d'électricité local.</p> <p>Le joint d'étanchéité de la pompe laisse fuir de l'air. Demander à un technicien d'entretien qualifié de remplacer le joint d'étanchéité.</p>

Symptôme	Cause possible/Solution
Il y a une fuite d'eau entre le moteur et le corps de la pompe.	Ceci est causé par un joint mécanique endommagé ou défectueux. Remplacer le joint mécanique.
La pompe devient chaude et s'éteint régulièrement.	Veiller à ce qu'il y a suffisamment de place autour du moteur pour que l'air circule et maintienne le moteur frais. Demander à un électricien qualifié de vérifier le serrage des connexions électriques ainsi que la tension du moteur de la pompe lorsqu'elle est en fonction. La tension doit être autour des 10 % la tension indiquée sur la plaque signalétique du moteur. Si la tension ne se situe pas dans les 10 %, prendre contact avec un électricien qualifié et/ou le fournisseur d'électricité local.
La pompe ne démarre pas.	Aucune alimentation à la pompe. S'assurer que la pompe est correctement connectée à la haute tension. Vous reporter à la <i>Section 3.2, Installation électrique</i> , de ce manuel.
	Mauvais câblage basse tension. Vérifier le câblage basse tension entre la pompe et le contrôleur. Corriger au besoin. Vous reporter à la <i>Section 3.2, Installation électrique</i> , de ce manuel.
	Mauvaise configuration de l'adresse de la pompe. S'assurer que les commutateurs DIP 3 et 4 sont correctement configurés pour l'installation. Les deux devraient être désactivés (OFF) pour utiliser le contrôleur à vitesse variable ou configurés à la bonne adresse lorsque connectés à un contrôleur AquaLink® RS controller, un AquaLink PDA, ou un AquaLink Z4™. Vous reporter à la <i>Section 3.3, Réglages du commutateur DIP</i> , dans ce manuel. <b>Remarque</b> : Le réglage 5 du commutateur DIP de VS-FHP085 et VSFHP165JEP doit toujours être sur activé (ON) pour les deux contrôleurs.
	La condition de défaut existe. Afficher le message de panne sur le contrôleur et corriger la panne avant de poursuivre. Si vous ne savez pas comment corriger la panne, veuillez prendre contact avec le soutien technique de Zodiac® au 800 822-7933.
L'ACL du contrôleur à vitesse variable n'affiche pas d'information  <b>ou</b> les DEL de la pompe ne sont pas allumées.	Mauvais réglage du commutateur DIP. S'assurer que les commutateurs DIP 1 et 2 sont tous les deux activés (ON) si le contrôleur est un JEP-R et tous les deux désactivés (OFF) si le contrôleur est un PDA, AquaLink RS, ou AquaLink Z4. Vous reporter à la <i>Section 3.3, Réglages du commutateur DIP</i> , dans ce manuel. <b>Remarque</b> : Le commutateur DIP 5 doit toujours être activé (ON).
	Mauvais câblage basse tension. Vérifier le câblage basse tension entre la pompe et le contrôleur. Corriger au besoin. Vous reporter à la <i>Section 3.2, Installation électrique</i> , de ce manuel.
Le contrôleur indique que la « Pompe n'est pas connectée ».	Mauvais câblage basse tension. Vérifier le câblage basse tension entre la pompe et le contrôleur. Corriger au besoin. Vous reporter à la <i>Section 3.2, Installation électrique</i> , de ce manuel.
	Mauvaise configuration de l'adresse de la pompe. Veiller à ce que les commutateurs DIP 3 et 4 soient correctement configurés pour l'installation. Les deux devraient être désactivés (OFF) pour utiliser le contrôleur à vitesse variable ou configurés à la bonne adresse lorsque connectés à un contrôleur AquaLink RS, un AquaLink PDA, ou un AquaLink Z4. Vous reporter à la <i>Section 3.3, Réglages du commutateur DIP</i> , dans ce manuel. <b>Remarque</b> : Le commutateur DIP 5 doit toujours être activé (ON).
Un message de panne apparaît sur l'afficheur du contrôleur.	La condition de défaut existe. Afficher le message de panne sur le contrôleur et corriger la panne avant de poursuivre. Si vous ne savez pas comment corriger la panne, veuillez prendre contact avec le soutien technique de Zodiac® au 800 822-7933. Au Canada, composez le 1 888 647-4004

## 6.1 Entretien par un technicien

### MISE EN GARDE

Cette pompe doit être entretenue par un technicien d'entretien professionnel et qualifié en installation de piscine/spa. Les procédures suivantes doivent être suivies à la lettre. Une mauvaise installation et/ou le fonctionnement peut présenter de dangereux risques électriques, ce qui peut causer des tensions élevées à travers le système électrique. Ceci peut causer un dommage matériel, de graves blessures corporelles et/ou la mort. Une mauvaise installation et/ou utilisation annule la garantie.

### Rotor bloqué

#### AVERTISSEMENT

Avant de procéder à l'entretien de la pompe, mettre hors tension les disjoncteurs à la source d'alimentation. De graves blessures corporelles ou la mort peuvent se produire si la pompe démarre lorsque votre main est à l'intérieur de la pompe.

1. Arrêter la pompe. Couper le disjoncteur au moteur de la pompe.
2. Retirer le couvercle et le panier.
3. Regarder s'il y a des débris à l'intérieur de la pompe. Retirer les débris qui s'y trouvent.
4. Reposer le panier et le couvercle.
5. Réactiver le disjoncteur au moteur de la pompe.
6. Allumer la pompe pour voir si le problème est résolu.
7. Si le rotor est toujours bloqué par des débris et qu'il n'est pas possible de les retirer en suivant l'étape 2 à 4, il faudra démonter la pompe pour accéder à l'entrée et à la sortie du rotor.



## Section 7. Spécifications du produit et données techniques

### 7.1 Liste de pièces de rechange et vue éclatée

Pour commander ou acheter des pièces pour pompe Zodiac®, veuillez prendre contact avec votre revendeur Zodiac le plus près. Si le revendeur Zodiac ne peut vous fournir ce dont vous avez besoin, veuillez prendre contact avec le soutien technique Zodiac au 1 800 822-7933, ou envoyer un courriel à [productsupport@zodiac.com](mailto:productsupport@zodiac.com). Au Canada, 1.888.647.4004, [customerservicePSC@zodiac.com](mailto:customerservicePSC@zodiac.com)

No. de clé	Description	Référence
1	Moteur et entraînement, VSFHP085JEP	R0856100
1	Moteur et entraînement, VSFHP085AUT	R0856000
1	Moteur et entraînement, VSFHP165JEP	R0571000
1	Moteur et entraînement, VSFHP165AUT	R0670400
2	Dispositif anti-recul, 6 boulons, 6 rondelles, Joint torique de dispositif anti-recul, Joint mécanique (carbone et céramique)	R0479500
3	Rotor, vis de montage, joint torique du dispositif anti-recul (VSFHP085JEP/VSFHP085AUT)	R0479602
3	Rotor, vis de montage, joint torique du dispositif anti-recul (VSFHP165JEP/VSFHP165AUT)	R0479603
4	Diffuseur, joint torique, 2 vis de montage, joint torique du dispositif anti-recul (VSFHP085JEP/VSFHP085AUT)	R0479702
4	Diffuseur, joint torique, 2 vis de montage, joint torique du dispositif anti-recul (VSFHP165JEP/VSFHP165AUT)	R0479701
5	Joint mécanique, carbone et céramique (1 jeu)	R0479400
6	Corps de pompe, joint torique du dispositif anti-recul	R0479800
7	Pied de montage moteur	R0479900
8	Couvercle, anneau de blocage, joint torique	R0480000
9	Panier filtre pour pompe	R0480100
10	Bouchon de vidange avec joint torique (jeu de 2)	R0446000
11	2 écrou-raccord, 2 about, 2 joint torique	R0327301
12	Joint torique de couvercle	R0480200
13	Joint torique de dispositif anti-recul	R0480300
14	Joint torique de pièce de raccordement (jeu de 2)	R0337600
15	Quincaillerie pour diffuseur/rotor avec Joint torique de dispositif anti-recul (Joint torique pour diffuseur, Vis de montage pour diffuseur, Vis de montage pour rotor, Joint torique de dispositif anti-recul)	R0480400
16	6 boulons pour dispositif anti-recul, 6 rondelles pour dispositif anti-recul, joint torique pour dispositif anti-recul	R0480500
17	4 boulons de montage moteur, 4 rondelles	R0446700
18	Petite base ajustable avec entretoises, Pompes FloPro	R0486700
19	Vis de montage pour rotor avec joint torique	R0515400
20	Vis de montage du couvercle d'accès au câblage	R0587600
21	Vis de montage du contrôleur JEP-R	R0571600
22	Couvercle d'accès au câblage avec joints d'étanchéité	R0571400
23	Capot du ventilateur avec 4 vis de montage	R0571300
24	Couvercle pour contrôleur JEP-R intégré	R0571500
25	Base large, pompes FloPro	R0546400
26	Poignée de cordon de 1/2 po	R0501101
27	Contrôleur JEP-R	JEP-R



## 7.2 Vue éclatée

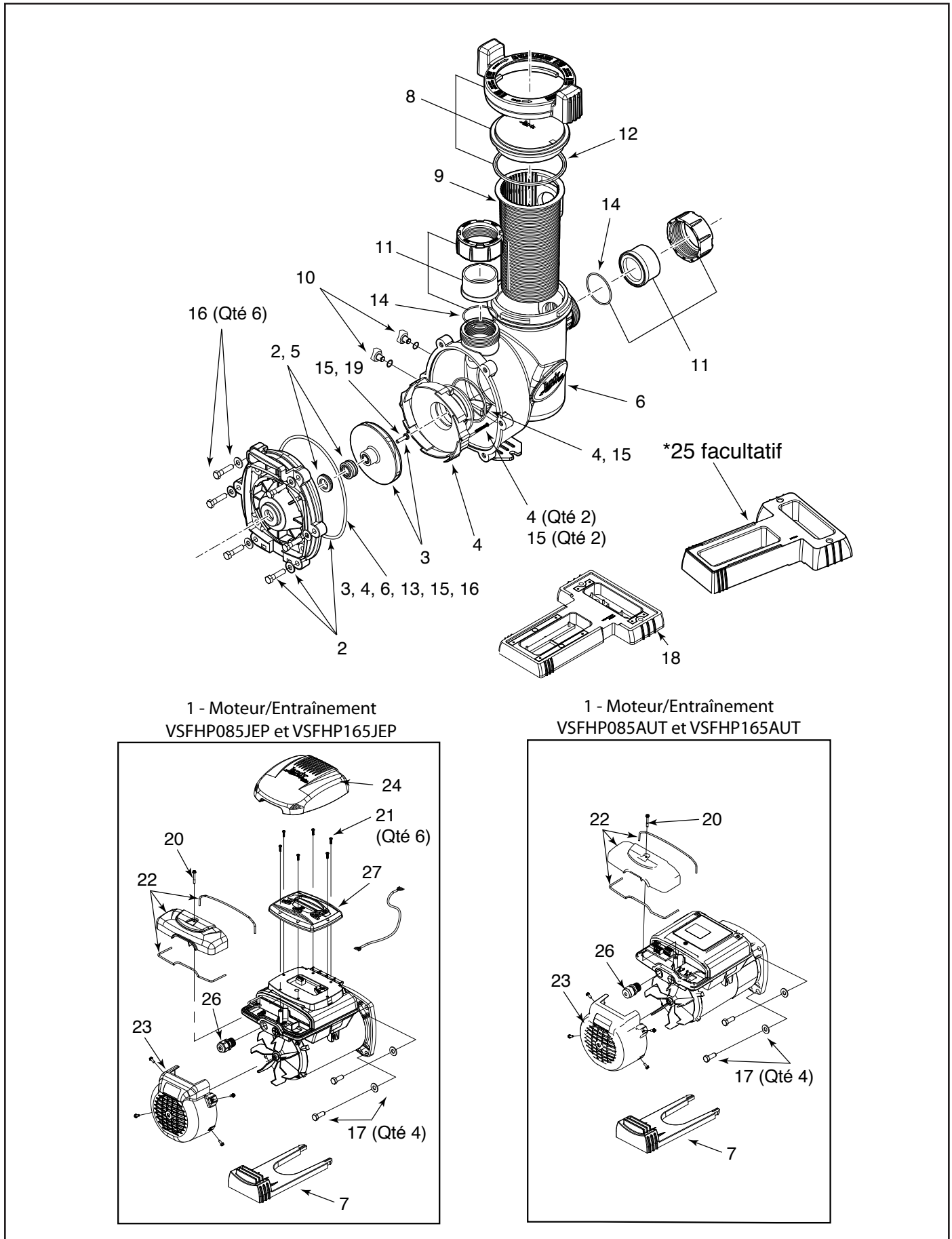
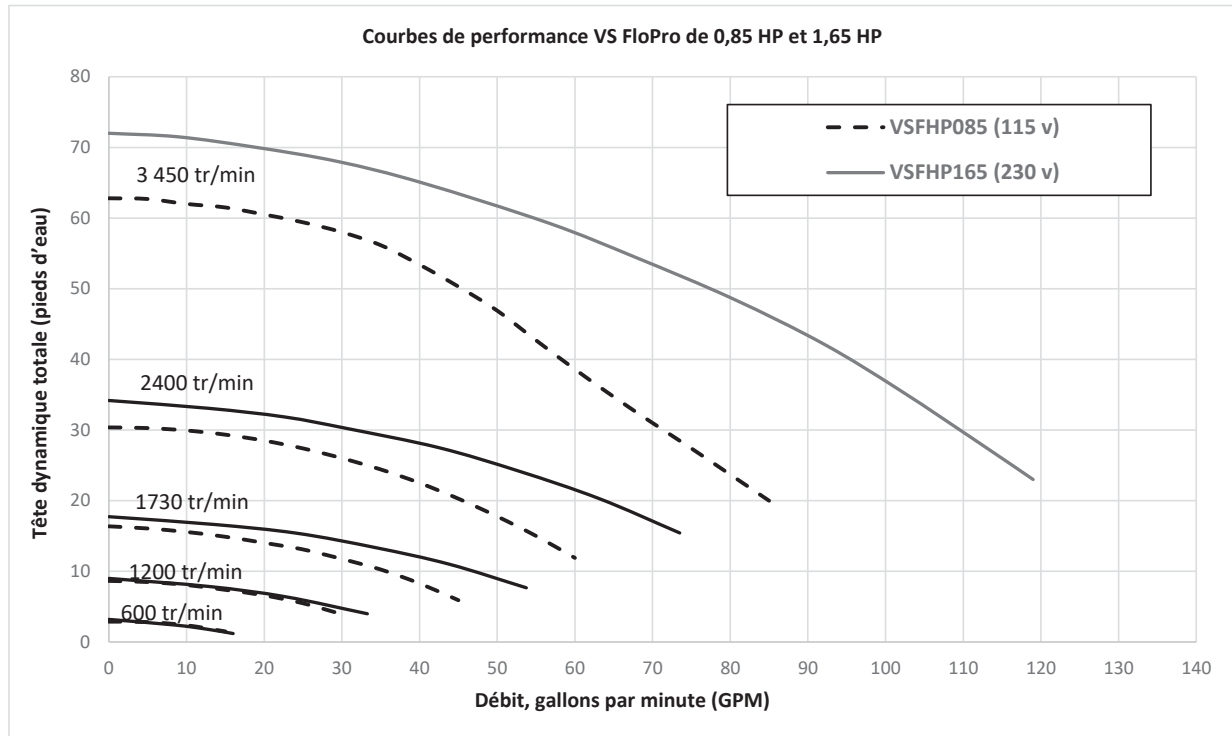


Figure 15. Vue éclatée de pompe VS

### 7.3 Courbes de performance



## 7.4 Spécifications physiques et opérationnelles

### Spécifications

N° de modèle	HP	Tension	Watts max.	Grosueur des tuyaux	Poids de la boîte	Longueur totale
VSFHP165AUT et VSFHP165JEP	1,65	230 VCA	1 600 W	1 1/2 po à 2 1/2 po	46 lb	61 cm (24 po)
VSFHP085AUT et VSFHP085JEP	0,85	115 VCA	975W	1 1/2 po à 2 po	46 lb	61 cm (24 po)

#### 7.4.2 Dimensions

**NOTE** Lors de l'installation d'une pompe, laisser un dégagement d'au-moins 30 cm (2 pi) au-dessus de la pompe pour le retrait du panier crépine.

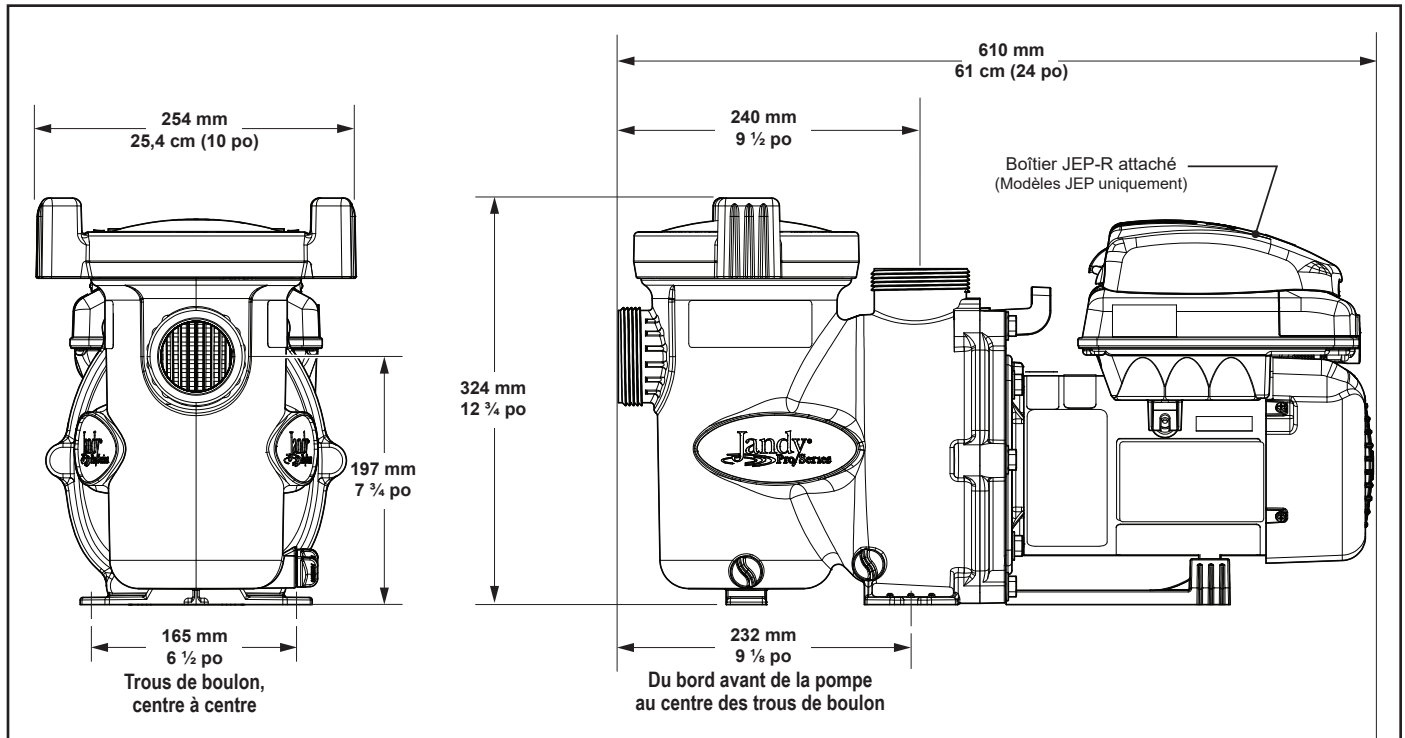


Figure 16. Dimensions VSFHP165AUT, VSFHP165JEP, VSFHP085AUT, VSFHP085JEP

**Zodiac Pool Systems LLC**

2882 Whiptail Loop # 100, Carlsbad, CA 92010  
www.ZodiacPoolSystems.com

**Zodiac Pool Systems Canada, Inc.**

2-3365 Mainway, Burlington, Ontario L7M 1A6  
www.ZodiacPoolSystems.ca

USA | Jandy.com | 1.800.822.7933

Canada | Jandy.ca | 1.888.647.4004

©2019 Zodiac Pool Systems LLC. ZODIAC® est une marque déposée de Zodiac International, S.A.S.U, utilisée sous licence. Toutes les marques de commerce mentionnées dans ce document appartiennent à leurs propriétaires respectifs.

H0661800 REVC



ETL CONFORME  
À LA NORME  
UL 1081

Certifié selon  
CAN/CSA STD  
C22.2 n°108



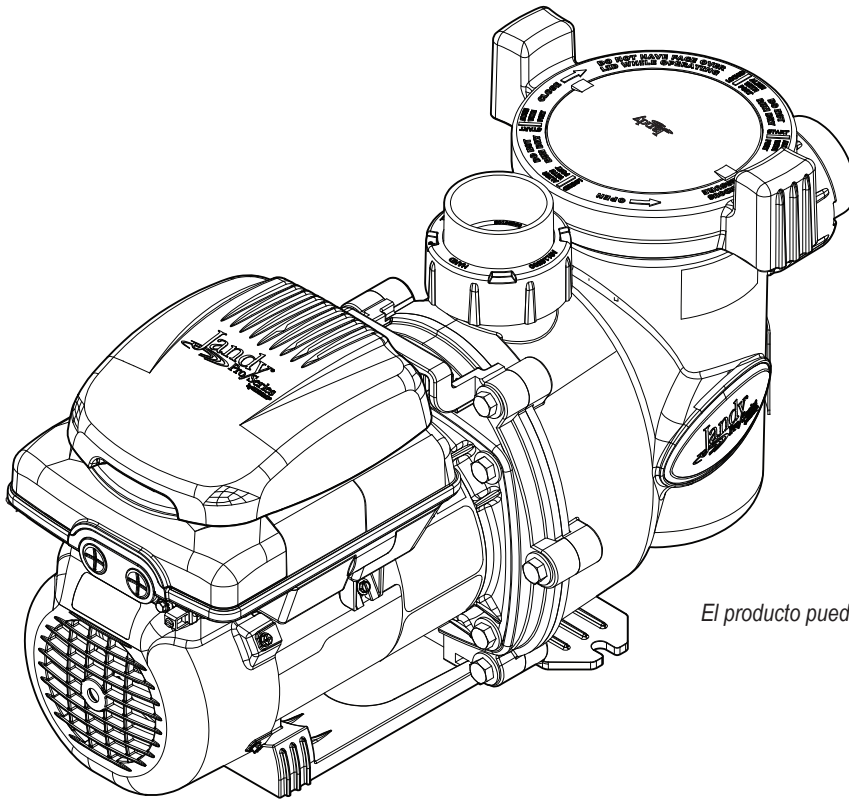
Certifié selon la  
norme NSF/ANSI 50





# MANUAL DE INSTALACIÓN Y OPERACIÓN

ESPAÑOL



*El producto puede ser distinto a la imagen que se muestra*

## Jandy Bombas de velocidad variable VS FloPro™

VSFHP085AUT  
VSFHP085JEP  
VSFHP165AUT  
VSFHP165JEP



### ⚠ ADVERTENCIA

**PARA SU SEGURIDAD:** la instalación y el servicio técnico de este producto deben estar a cargo de un contratista cualificado y matriculado para trabajar con equipamientos para piscinas en la jurisdicción en la que se instalará el producto, donde existan tales requisitos estatales o locales. El técnico de servicio debe ser profesional y contar con experiencia suficiente en instalación y mantenimiento de equipamientos para piscinas, para que todas las instrucciones de este manual se puedan seguir exactamente. Antes de instalar este producto, lea y siga todos los avisos de advertencia y las instrucciones que se proporcionan con el producto. Si no se siguen los avisos de advertencia ni las instrucciones, es posible que se produzcan daños materiales, lesiones personales o la muerte. Si la instalación o la operación se llevan a cabo incorrectamente, la garantía se anulará.



La instalación y la operación inadecuadas pueden generar peligros eléctricos no deseados que pueden provocar lesiones graves, daños materiales o la muerte.

**ATENCIÓN, INSTALADOR:** este manual contiene información importante acerca de la instalación, la operación y la utilización seguras de este producto. Esta información debe ser entregada al dueño u operador de este equipo.

# Contenido

**Sección 1. Instrucciones importantes de seguridad ..... 51**

- 1.1 Instrucciones de seguridad ..... 51
- 1.2 Pautas para la prevención de atrapamiento por la succión de la bomba ..... 53

**Sección 2. Descripción general ..... 54**

- 2.1 Introducción ..... 54
- 2.2 Descripción ..... 54

**Sección 3. Información sobre la instalación... 54**

- 3.1 Tuberías ..... 54
- 3.2 Instalación eléctrica ..... 57
- 3.3 Configuración de interruptor DIP de la bomba VS FloPro ..... 61
- 3.4 Prueba de presión ..... 62

**Sección 4. Operación ..... 62**

- 4.1 Puesta en marcha ..... 62

**Sección 5. Servicio y mantenimiento ..... 63**

- 5.1 Para quitar la tapa de la bomba ..... 63
- 5.2 Limpiar la canasta del filtro de la bomba ..... 64
- 5.3 Preparación de la bomba para el invierno ..... 64

**Sección 6. Resolución de problemas y reparación ..... 65**

- 6.1 Mantenimiento del técnico de servicio ..... 67

**Sección 7. Especificaciones del producto y datos técnicos ..... 68**

- 7.1 Lista de repuestos y vista expandida ..... 68
- 7.2 Vistas ampliadas ..... 69
- 7.3 Curvas de desempeño ..... 70
- 7.4 Especificaciones físicas y operativas ..... 71

**REGISTRO DE INFORMACIÓN DEL EQUIPO**

FECHA DE INSTALACIÓN \_\_\_\_\_

INFORMACIÓN DEL INSTALADOR \_\_\_\_\_

LECTURA INICIAL DEL MANÓMETRO (CON FILTRO LIBRE) \_\_\_\_\_

MODELO DE BOMBA \_\_\_\_\_

CABALLOS DE VAPOR \_\_\_\_\_

NOTAS: \_\_\_\_\_

\_\_\_\_\_

\_\_\_\_\_



# Sección 1. Instrucciones importantes de seguridad

## LEA Y SIGA ESTAS INSTRUCCIONES

### 1.1 Instrucciones de seguridad

Todos los trabajos de electricidad deben ser realizados por un electricista matriculado y adherir a todas las normativas nacionales, estatales y locales. Cuando se instale y utilice este equipo eléctrico, siempre se deberán seguir las siguientes precauciones básicas de seguridad.

#### ADVERTENCIA

**PELIGRO DE ATRAPAMIENTO POR SUCCIÓN QUE, SI NO SE EVITA, PUEDE PROVOCAR LESIONES GRAVES O LA MUERTE.** No bloquee la succión de la bomba, ya que esto puede provocar lesiones graves o la muerte. No use esta bomba para piscinas infantiles, piscinas de poca profundidad o espás que contengan drenajes en el fondo, a menos que la bomba esté conectada a por lo menos a dos (2) salidas de succión en funcionamiento. Los conjuntos de salida (drenaje) de succión y sus cubiertas deben estar certificados según la edición publicada más recientemente de ANSI®/ASME® A112.19.8, o su norma sucesora, ANSI/APSP-16.

#### ADVERTENCIA

Para reducir el riesgo de lesiones, no permita que los niños usen este producto.

#### ADVERTENCIA

Para reducir el riesgo de daños materiales o lesiones, no intente cambiar la posición de la válvula de reextracción (multipuerto, deslizante o de flujo completo) con la bomba en funcionamiento.

#### ADVERTENCIA

Las bombas Jandy están impulsadas por un motor eléctrico de alto voltaje y deben ser instaladas por un electricista matriculado o certificado o por un técnico de servicio de piscinas cualificado.

#### ADVERTENCIA

Debido al posible riesgo de incendios, descargas eléctricas o lesiones, las bombas Jandy deben instalarse en conformidad con National Electrical Code® (NEC®), todos los códigos eléctricos y de seguridad locales y la Ley de Seguridad y Salud Ocupacionales (Occupational Safety and Health Act, OSHA). Es posible pedir ejemplares del NEC a National Fire Protection Association, 1 Batterymarch Park, Quincy, Massachusetts EE. UU. 02169, o a su organismo gubernamental de inspección local.

#### ADVERTENCIA

**RIESGO DE DESCARGAS ELÉCTRICAS, INCENDIOS, LESIONES PERSONALES O MUERTE.** Conecte solamente a un ramal que esté protegido por un interruptor de circuito a tierra (GFCI). Contacte a un electricista autorizado si no puede verificar que el circuito está protegido por un GFCI. El instalador debe proporcionar un GFCI, que debe probarse con frecuencia. Para probar el GFCI, presione el botón de prueba. El GFCI debe interrumpir la energía. Presione el botón Reset (Restablecer). La energía debería restablecerse. Si el GFCI no funciona de esta forma, significa que tiene algún defecto. Si el GFCI interrumpe la alimentación a la bomba sin que se presione el botón de prueba, significa que hay corriente de tierra, lo que a su vez indica la posibilidad de electrocución. No utilice el dispositivo. Desconecte el dispositivo y solicite a un representante de servicio cualificado que solucione el problema antes de utilizarlo.

#### ADVERTENCIA

Un equipo instalado incorrectamente puede fallar y provocar lesiones graves o daños de bienes.

**⚠ ADVERTENCIA**

- No conecte el sistema a un sistema de agua municipal sin regular ni a ninguna otra fuente externa de agua presurizada que produzca presiones de más de 35 psi.
- El aire atrapado en el sistema puede provocar que la tapa del filtro salga expulsada, lo que puede provocar la muerte, lesiones personales graves o daños de bienes. Asegúrese de que no haya nada de aire en el sistema antes de operarlo.

**⚠ ADVERTENCIA**

Para minimizar el riesgo de lesiones graves o de muerte, no se deben someter el filtro ni la bomba a la prueba de presurización del sistema de tuberías.

Las normativas locales pueden requerir que el sistema de tuberías de la piscina sea sometido a una prueba de presión. Estos requisitos no suelen estar destinados a los equipos para piscinas como filtros o bombas.

Los equipos para piscinas Zodiac® se someten a pruebas de presión en la fábrica.

Sin embargo, si no se puede respetar la ADVERTENCIA y las pruebas de presión del sistema de tuberías deben incluir el filtro o la bomba, **ASEGÚRESE DE CUMPLIR LAS SIGUIENTES INSTRUCCIONES DE SEGURIDAD:**

- Verifique todas las abrazaderas, los tornillos, las tapas, los anillos de bloqueo y los accesorios del sistema para asegurar que estén correctamente instalados y asegurados antes de la prueba.
- **LIBERE TODO EL AIRE** del sistema antes de la prueba.
- La presión de agua para la prueba **NO DEBE EXCEDER LOS 35 psi**.
- La temperatura del agua para la prueba **NO DEBE EXCEDER los 100 °F (38 °C)**.
- Limite la prueba a 24 horas. Después de la prueba, verifique visualmente el sistema para asegurar que esté listo para su operación.

**AVISO:** Estos parámetros se aplican únicamente a los equipos Zodiac. En caso de equipos ajenos a Zodiac, consulte al fabricante del equipo.

**⚠ ADVERTENCIA**

Los derrames y vapores químicos pueden debilitar los equipos de la piscina/del espá. La corrosión puede provocar la falla de los filtros y de otros equipos, lo que puede provocar lesiones graves o daños de bienes. No almacene productos químicos para la piscina cerca de los equipos.

**⚠ PRECAUCIÓN**

**¡No ponga en marcha la bomba en seco!** Si se hace funcionar la bomba en seco durante la cantidad de tiempo que sea, ocurrirán daños graves y se anulará la garantía.

**⚠ PRECAUCIÓN**

Esta bomba es para su uso en piscinas permanentes y también se puede utilizar en hidromasajes y espás, si estuviera indicado. No use esta bomba con piscinas almacenables. Las piscinas permanentes están construidas dentro del suelo o sobre él o en un edificio de tal manera que no se pueden desmontar para su almacenamiento. Las piscinas almacenables están construidas de manera que pueden ser fácilmente desmontadas para su almacenamiento y pueden volver a montarse para que tengan su estado original.

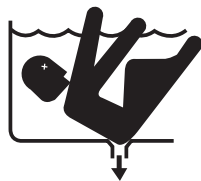
**⚠ PRECAUCIÓN**

No haga la instalación dentro de un recinto exterior ni debajo del revestimiento un hidromasaje. La bomba requiere una ventilación adecuada para mantener la temperatura del aire menor que la temperatura ambiente máxima nominal detallada en la placa de calificaciones nominales del motor.

Para evitar la falla prematura o los daños en el motor de la bomba, proteja la bomba de la exposición directa al agua de rociadores, escurrimiento de agua de techos y drenajes, etc. De lo contrario, la bomba podría fallar y, además, se podría anular la garantía.

**GUARDE ESTAS INSTRUCCIONES**

## 1.2 Pautas para la prevención de atrapamiento por la succión de la bomba



### ⚠ ADVERTENCIA

**PELIGRO DE SUCCIÓN.** Puede provocar lesiones graves o la muerte. No use esta bomba para piscinas infantiles, piscinas de poca profundidad o espás que contengan drenajes en el fondo, a menos que la bomba esté conectada por lo menos a dos (2) salidas de succión en funcionamiento.

### ⚠ ADVERTENCIA

**La succión de la bomba es peligrosa y puede atrapar y ahogar o descuartizar a los bañistas. No use ni opere piscinas, espás ni hidromasajes si una cubierta de las salidas de succión falta, está rota o está floja.** Las pautas siguientes proporcionan información para la instalación de la bomba que minimiza el riesgo de lesiones para los usuarios de piscinas, espás e hidromasajes:

**Protección contra el atrapamiento:** El sistema de succión de la bomba debe proporcionar protección contra los peligros del atrapamiento por succión.

**Cubiertas de la salida de succión:** Todas las salidas de succión deben tener cubiertas correctamente instaladas y atornilladas en su lugar. Todas las cubiertas de salida (drenaje) de succión deben mantenerse correctamente. Deben reemplazarse si están agrietadas o rotas o si faltan. Las cubiertas de drenaje deben estar incluidas/certificadas en la edición publicada más reciente de ANSI®/ASME® A112.19.8 o su norma sucesora, ANSI/APSP-16. La piscina debe cerrarse y debe restringirse el ingreso de los bañistas a la piscina hasta el reemplazo de cualquier cubierta de drenaje agrietada o rota o que falte.

**Cantidad de salidas de succión por bomba:** Proporcione al menos dos (2) salidas de succión balanceadas hidráulicamente, con cubiertas, como salidas de succión para cada línea de succión de la bomba de circulación. Los centros de las salidas de succión (salidas de succión) de cualquier una (1) línea de succión deben estar a al menos tres (3) pies de distancia de centro a centro. Consulte la Figura 1.

El sistema **debe** construirse para incluir al menos dos (2) salidas (drenajes) de succión conectadas a la bomba siempre que la bomba esté en funcionamiento. Sin embargo, si dos (2) salidas de succión van a una única línea de succión, la única línea de succión puede estar equipada con una válvula que apague ambas salidas de succión desde la bomba. El sistema se construirá de tal modo que no permita el cierre o el aislamiento separado independiente de cada drenaje. Consulte la Figura 1.

Es posible conectar bombas adicionales a una única línea de succión siempre que se cumplan los requisitos anteriores.

**Velocidad del agua:** La velocidad máxima del agua a través del conjunto de salida de succión y su cubierta para cualquier salida de succión no debe superar la tasa de flujo de diseño máxima del conjunto de la salida de succión y de su cubierta. El conjunto de salida (drenaje) de succión y su cubierta deben cumplir la versión más reciente de ANSI®/ASME® A112.19.8, la norma para acoples de succión para usarse en piscinas, piscinas infantiles, espás e hidromasajes o su norma sucesora, ANSI/ASME APSP-16.

**Pruebas y certificación:** Las cubiertas de salida de succión deben haber sido probadas por un laboratorio de pruebas con reconocimiento nacional y debe haberse determinado que cumplen la edición publicada más reciente de ANSI/ASME A112.19.8 o su norma sucesora, ANSI/APSP-16, la norma para *acoples de succión para usarse en piscinas, piscinas infantiles, espás e hidromasajes*.

**Acoples:** Los acoples restringen el flujo; para más eficiencia, use la menor cantidad de acoples posible (pero al menos dos [2] salidas de succión).

Evite los acoples que pueden provocar que quede aire atrapado.

Los acoples de succión del limpiador de la piscina deben cumplir las normas aplicables de la International Association of Plumbing and Mechanical Officials (IAPMO).

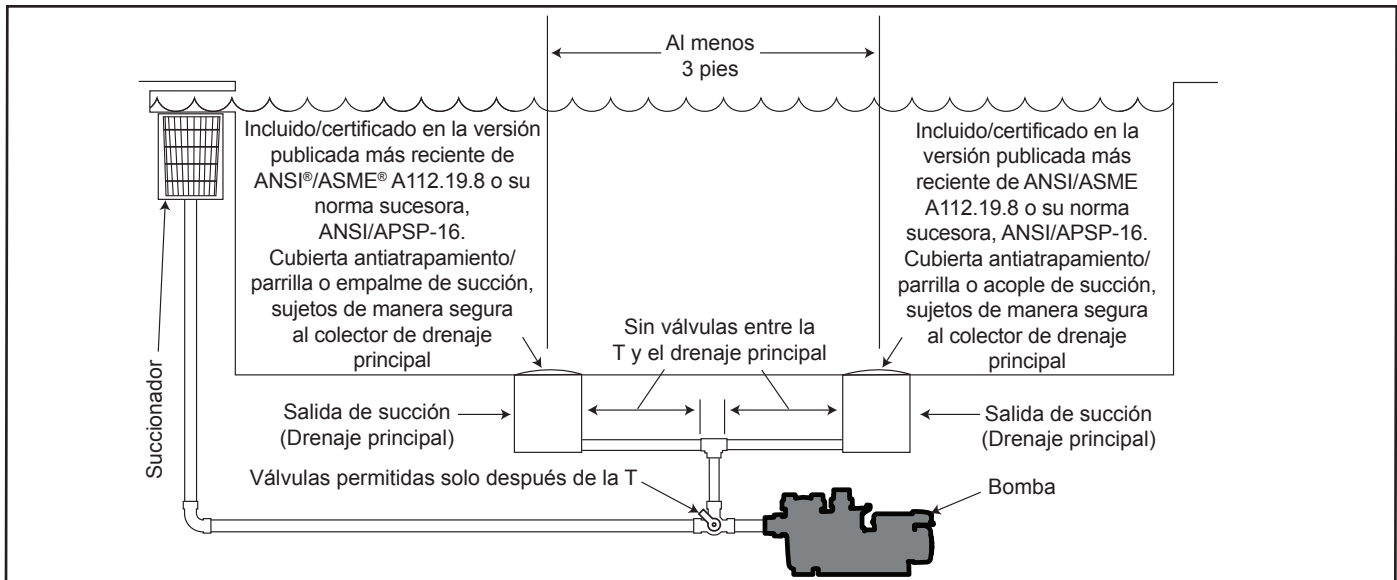


Figura 1. Cantidad de salidas de succión por bomba

## Sección 2. Descripción general

### 2.1 Introducción

Este manual contiene información para la instalación, la operación y el mantenimiento correctos de las bombas Jandy VSFHP085AUT, VSFHP085JEP, VSFHP165AUT y VSFHP165JEP. Los procedimientos de este manual se deben seguir exactamente. Para obtener copias adicionales de este manual, comuníquese con el servicio de atención al cliente de Zodiac® al 800.822.7933. Para obtener la dirección, consulte la contratapa de este manual.

### 2.2 Descripción

La bomba de velocidad variable VS FloPro puede funcionar de 600 RPM a 3450 RPM. Cuando se conecta al controlador JEP-R, es posible programar y recuperar hasta ocho (8) configuraciones de velocidad. Esto le permite seleccionar la velocidad más adecuada para su aplicación. Es posible una programación incluso más versátil al usar un controlador iQPUMP01, AquaLink® RS, AquaLink PDA o AquaLink Z4™.

La bomba es impulsada por un motor conmutado electrónicamente (ECM) de velocidad variable conectado directamente al rodete de la bomba. El motor hace girar el impulsor, que fuerza el flujo de agua a través de la bomba. A medida que la velocidad del motor varía, el flujo a través de la bomba también varía. La tasa de flujo ajustable permite optimizar el flujo durante los diversos requisitos del ciclo de la bomba. Como resultado, la eficiencia energética de la bomba se maximiza, lo que resulta en ahorros en los costos para el propietario de la piscina y ayuda a conservar el medio ambiente.

## Sección 3. Información sobre la instalación

### 3.1 Tuberías

#### Información sobre la preparación

1. Al recibir la bomba, verifique la caja para determinar que no haya daños. Abra la caja y verifique la bomba para determinar que no haya daños ocultos, como grietas, roturas o una base doblada. Si encuentra algún daño, comuníquese con el transportista o con el distribuidor al que le compró la bomba.
2. Inspeccione el contenido de la caja y verifique que se hayan incluido todas las piezas. Consulte la Sección 7.1, Lista de repuestos y la vista ampliada.

#### Ubicación de la bomba

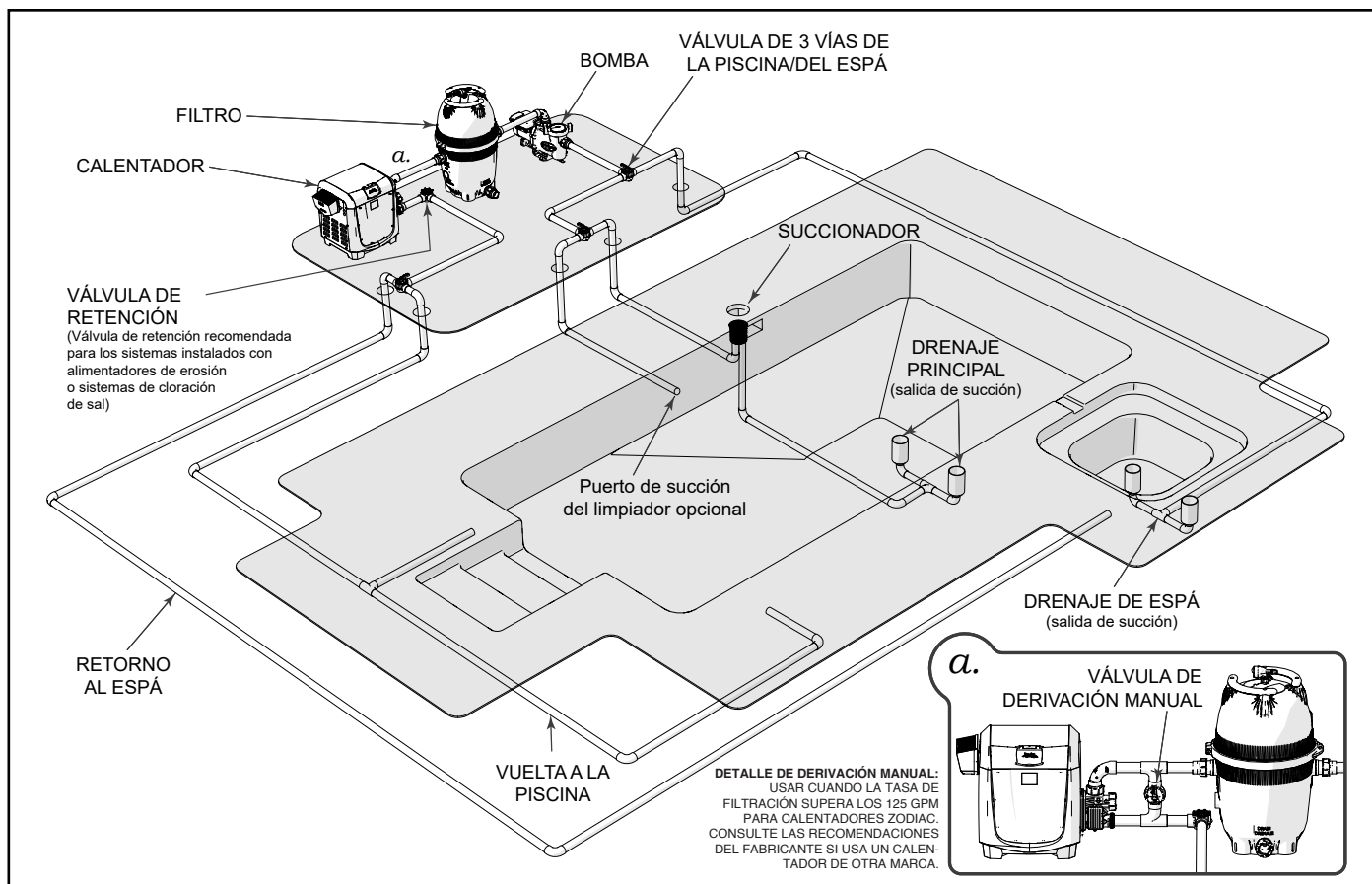
#### ⚠ ADVERTENCIA

Para disminuir el riesgo de incendio, instale los equipamientos para piscinas en una zona donde no se acumulen hojas u otros desechos sobre los equipamientos o alrededor de ellos. Mantenga la zona circundante sin desechos como papel, hojas, agujas de pino y otros materiales combustibles.

1. Zodiac Pool Systems LLC recomienda instalar la bomba dentro de un (1) pie (30 cm) por arriba del nivel del agua. La bomba no debe elevarse más de cinco (5) pies por arriba del nivel de agua de la piscina.

**NOTA** La bomba tiene el certificado NSF como que puede purgarse a alturas de hasta 10 pies por arriba del nivel de agua de la piscina, a nivel del mar. Sin embargo, para lograr un mejor autocebado, instale la bomba lo más cerca posible del nivel de agua de la piscina.

2. Si la bomba está ubicada por debajo del nivel del agua, deben instalarse válvulas de aislamiento en las tuberías de aspiración y de retorno para evitar el reflujo del agua de la piscina durante los servicios de rutina o requeridos.



**Figura 2. Instalación típica de las tuberías**

### ⚠ ADVERTENCIA

Una válvula de retención puede interferir con el funcionamiento correcto de determinados productos de sistema de desfogue de vacío de succión (Suction Vacuum Release System, SVRS). Para evitar posibles peligros de atrapamiento, lesiones graves o la muerte, asegúrese de repasar el manual de operación/del propietario de su producto específico del SVRS antes de instalar la válvula de retención.

**NOTA** Cuando el equipo para piscinas está ubicado debajo de la superficie de la piscina, una fuga puede provocar una gran pérdida de agua o una inundación. Zodiac Pool Systems LLC no se hace responsable por tales pérdidas de agua ni por inundaciones ni por los daños resultantes.

3. Instale la bomba de modo tal que cualquier medio de desconexión y/o caja de conexiones para la conexión de energía esté a la vista desde la bomba y a al menos cinco (5) pies horizontalmente desde el borde de la piscina y/o del espá. Elija una ubicación que minimice los dobleces en la tubería.

**NOTA** En Canadá, la distancia mínima mantenida desde el borde de la piscina y/o el espá según se indica arriba debe ser de 3 metros (10 pies), según lo requiere el Código Eléctrico Canadiense (CEC, CSA C22.1).

4. La bomba debe instalarse en una superficie firme, sólida y nivelada para evitar el riesgo de asentamiento. No use arena para nivelar la bomba, ya que la arena se lava. Revise los códigos de construcción locales para conocer cualquier requisito adicional (p. ej., las bases

de los equipos en Florida deben ser de hormigón y el equipo debe fijarse a la base).

**NOTA** Zodiac Pool Systems LLC recomienda la aplicación de pernos para fijar la bomba directamente a los cimientos.

5. Los cimientos de la bomba deben tener un drenaje adecuado para evitar que el motor se humedezca. Proteja la bomba contra la lluvia y contra el sol.

### ⚠ PRECAUCIÓN

Para evitar la falla prematura o los daños en el motor de la bomba, proteja la bomba de la exposición directa al agua de rociadores, escurrimiento de agua de techos y drenajes, etc. De lo contrario, la bomba podría fallar y, además, se podría anular la garantía.

6. Se requiere una ventilación adecuada para que la bomba funcione normalmente. Todos los motores generan calor que debe eliminarse con una ventilación correcta.
7. Para proporcionar acceso para los servicios futuros, deje una zona libre alrededor de la bomba. Deje mucho espacio arriba de la bomba para quitar la tapa y la canasta para su limpieza.
8. Si el equipo está en una zona que puede quedar a oscuras, proporcione una iluminación adecuada.

### Tamaño de los tubos

Para obtener ayuda con los tamaños de los tubos de succión y de descarga, consulte la Tabla 1.



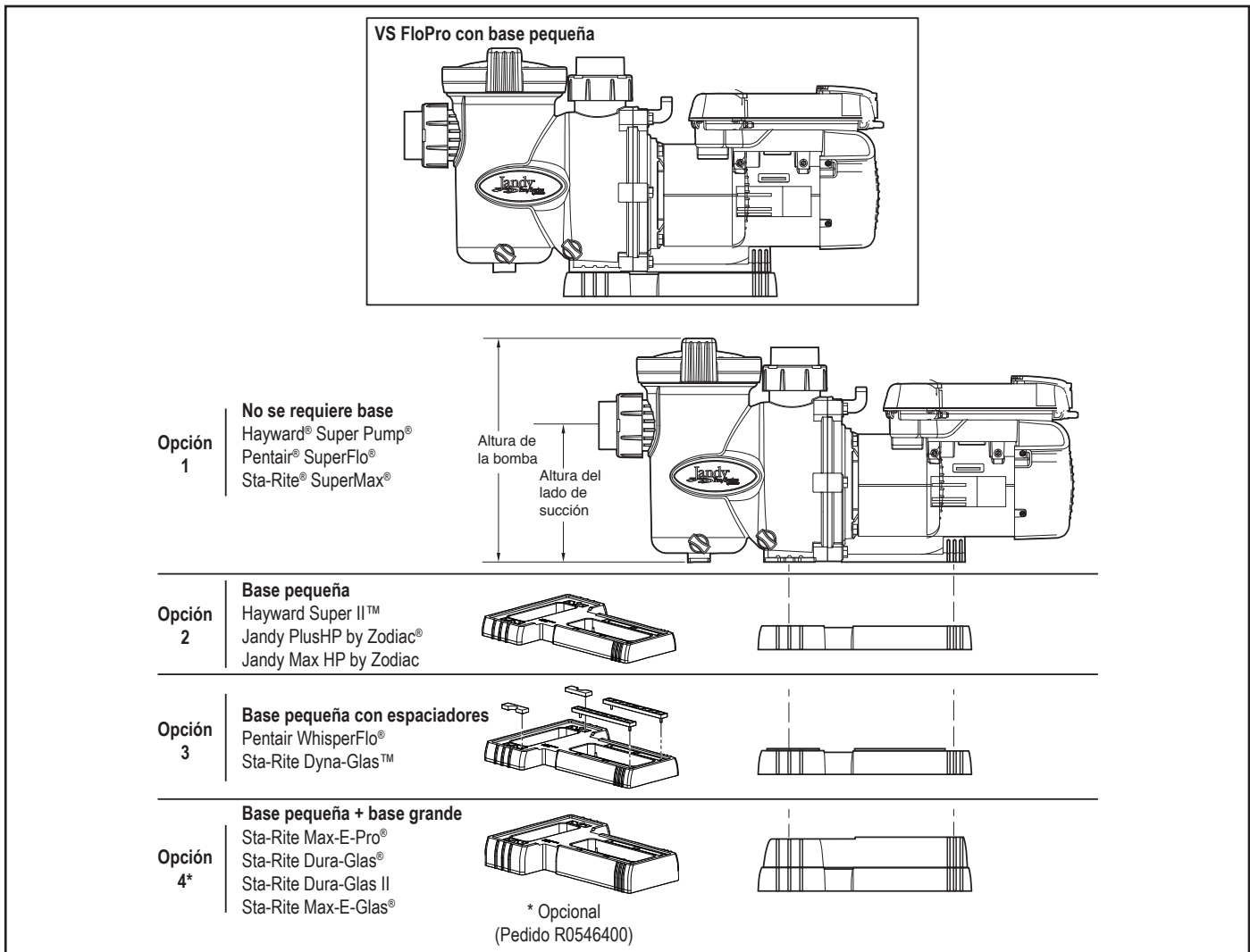


Figura 3. Bomba VS FloPro y opciones de base

Tabla 1. Tabla de tamaños de tubos para PVC cédula 40

Tamaño de tubo	Succión de flujo máxima (6 pies por segundo)	Descarga de flujo máxima (8 pies por segundo)
1½" (38 mm)	37 GPM (140 LPM)	50 GPM (189 LPM)
2" (51 mm)	62 GPM (235 LPM)	85 GPM (322 LPM)
2½" (64 mm)	88 GPM (333 LPM)	120 GPM (454 LPM)
3" (76 mm)	136 GPM (515 LPM)	184 GPM (697 LPM)
4" (102 mm)	234 GPM (886 LPM)	313 GPM (1185 LPM)

**Recomendaciones de instalación**

1. Como ayuda para evitar las dificultades al cebar, instale el tubo de succión sin puntos altos (sobre la entrada de la bomba: "U" invertidas, denominadas en general en el campo de la plomería como "cámaras

de aire") que puedan atrapar aire. Para la instalación de equipos hasta 100 pies (30 m) del agua, consulte la Tabla 1 de tamaños de los tubos. Para la instalación de equipos a más de 100 pies (30 m) del agua, el tamaño de tubo recomendado debe aumentarse al tamaño siguiente.

2. Las bombas VS FloPro vienen equipadas con uniones en los puertos de succión y de descarga. Esta característica simplifica mucho la instalación y el servicio, y elimina la posibilidad de fugas en los adaptadores roscados.
3. La bomba VS FloPro debe conectarse a al menos dos (2) drenajes principales con balanceo hidráulico para cada línea de succión de la bomba de la piscina. Cada conjunto de drenaje (salida de succión) debe proporcionarse con cubiertas y debe estar incluido o certificado según la edición publicada más reciente de ANSI®/ASME® A112.19.8, o su norma sucesora, ANSI/APSP-16. Los acoples de succión de los drenajes principales deben estar a al menos tres (3) pies (1 m) separados o en planos diferentes. Los acoples de succión pueden ser un drenaje y recolector, dos (2) drenajes, dos (2) recolectores



o un recolector con una línea ecualizadora instalada. Verifique las normativas locales para una instalación correcta.

**NOTA** Para prevenir el atrapamiento, el sistema debe construirse para que no pueda operar con la bomba obteniendo agua de solo un (1) drenaje principal. Debe haber al menos dos (2) drenajes principales conectados a la bomba cuando está en funcionamiento. Sin embargo, si dos (2) drenajes principales van a una única línea de succión, la única línea de succión puede estar equipada con una válvula que apague ambos drenajes principales desde la bomba.

- La tubería debe tener el soporte adecuado y no debe forzarse donde experimente un estrés constante.
- Use siempre válvulas del tamaño correcto. Las válvulas de cambio y las válvulas esféricas Jandy típicamente tienen las mejores capacidades de flujo.
- Use la menor cantidad posible de acoples, especialmente codos de 90 grados. Cada empalme o distancia de tubo adicional aumenta la resistencia al flujo, lo que hace que la bomba trabaje con más esfuerzo.

**NOTA** Si se requieren más de diez (10) acoples de succión, el tamaño del tubo debe aumentar.

- Cada nueva instalación debe someterse a pruebas de presión en conformidad con las normativas locales.

### Reemplazo de una bomba existente

Las bombas Jandy VS FloPro pueden reemplazar fácilmente varias otras bombas: Hayward® Super Pump®, Hayward Super II™, Pentair® SuperFlo®, Pentair WhisperFlo®, Jandy PlusHP (PHP), Jandy MaxHP (MHP), Sta-Rite® Dura-Glas, Sta-Rite Dura-Glas II, Sta-Rite Dyna-Glas™, Sta-Rite Max-E-Glas®, Sta-Rite Max-E-Pro® y Sta-Rite SuperMax®.

Para reemplazar Pentair WhisperFlo, Jandy PlusHP o Jandy MaxHP, use la base ajustable de VS FloPro. La base de VS FloPro (y sus espaciadores) aumentan la altura total de la bomba y la altura del lado de succión de la bomba. Consulte la Tabla 2 y la Figura 3.

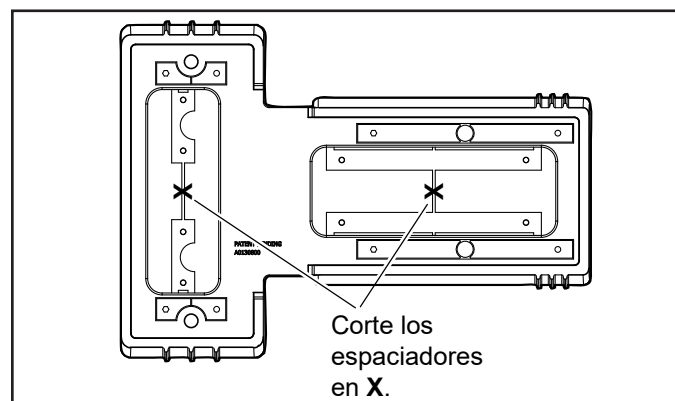
**NOTA** La base pequeña con espaciadores ajustables viene con todos los modelos de VS FloPro. La base grande se vende por separado como accesorio (número de pieza de Jandy R0546400).

**Tabla 2. Dimensiones de VS FloPro**

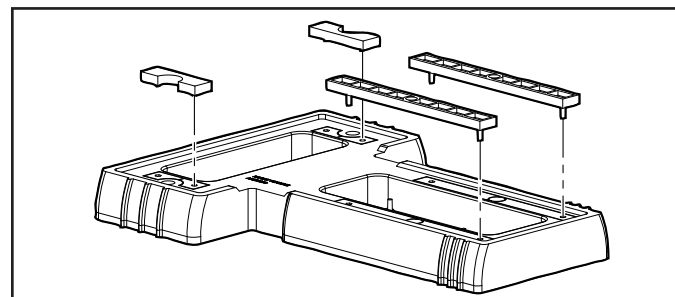
Configuración de la base	Altura del lado de succión	Altura de la bomba
1. Bomba sin base	7 3/4"	12 3/4"
2. Bomba con base pequeña	8 7/8"	13 7/8"
3. Bomba con base pequeña y espaciadores	9 1/8"	14 1/8"
4. Bomba con base pequeña y grande	10 3/4"	15 3/4"

### Instale los espaciadores en la base pequeña

- Con una herramienta manual para cortar, corte las barras plásticas que conectan los conjuntos superior e inferior de espaciadores como se muestra en la Figura 4.
- Empuje los dos (2) espaciadores superiores y los dos (2) espaciadores inferiores fuera de la base.
- Alinee los pasadores de los cuatro (4) espaciadores con los orificios de la base y presione los espaciadores en su lugar, como se muestra en la Figura 5.



**Figura 4. Corte los conjuntos de espaciadores de la base**



**Figura 5. Presione los espaciadores hasta que queden en su lugar**

## 3.2 Instalación eléctrica

### Verificaciones de voltaje

El voltaje correcto, según se especifica en la placa de datos de la bomba y en la Tabla 3 de la página 10, es necesario para el desempeño correcto y la duración del motor. Un voltaje incorrecto reducirá la capacidad de la bomba de desempeñarse correctamente y podría provocar sobrecalentamientos, acortar la vida útil del motor y conllevar facturas de luz más elevadas.

El instalador eléctrico tiene la responsabilidad de proporcionar voltaje operativo a la bomba según la chapa con instrucciones técnicas velando por que se usen los tamaños correctos de circuitos y cables para esta aplicación en específico.

National Electrical Code® (NEC®, NFPA-70®) requiere que todos los circuitos de una piscina estén protegidos con un interruptor de circuito por falla a tierra (GFCI). Por lo tanto, también es responsabilidad del instalador

Tabla 3. Tamaños de cable recomendados para las bombas VS FloPro

TAMAÑOS DE CABLE MÍNIMOS RECOMENDADOS PARA LAS BOMBAS VS FLORPRO*			
Distancia del subpanel		0-150 pies (0-45 metros)	
Modelo	Inverso - disyuntor de tiempo o fusible del ramal AMPS Clase: CC, G, H, J, K, RK o T	Calibre del cable Voltaje 230 V CA	Calibre del cable Voltaje 115 V CA
VSFHP165AUT, VSFHP165JEP	15A	12	N/A
VSFHP085AUT, VSFHP085JEP	15A	N/A	12

\*Se supone la existencia de tres (3) conductores de cobre en un tubo aislador enterrado y una pérdida de voltaje máxima del 3 % en el circuito de la derivación. Deben cumplirse todos los códigos National Electrical Code® (NEC®) o Canadian Electrical Code (CSA) y todos los códigos locales. La tabla muestra el tamaño de cable mínimo y las recomendaciones de fusible de ramal para la instalación típica.

eléctrico asegurar que el circuito de la bomba cumpla este requisito y todos los demás requisitos aplicables del National Electrical Code (NEC) y de cualquier otra normativa de instalación aplicable.

**⚠ PRECAUCIÓN**

Si no se proporciona el voltaje de la placa de datos (dentro del 10 %) durante la operación, el motor se sobrecalentará y se anulará la garantía.

**Conexión y puesta a tierra**

- Además de la conexión a tierra adecuada, según se describe en la sección *Cableado eléctrico*, y en conformidad con los requisitos del National Electrical Code (NEC) o, en Canadá, del Código Eléctrico Canadiense (CEC), debe haber una puesta a tierra entre el motor de la bomba y todas las piezas metálicas de la estructura de la piscina, del espá o del hidromasaje y todos los componentes y equipos eléctricos relacionados con el sistema de circulación de agua de la piscina/del espá.
- La puesta a tierra debe hacerse con un conductor de cobre macizo n.º 8 AWG o uno más grande. En Canadá, debe usarse un n.º 6 AWG o uno más grande. Haga la puesta a tierra del motor con la terminal de tierra externa proporcionada en el estator del motor.

**⚠ ADVERTENCIA**

Desconecte siempre la fuente de energía antes de trabajar en un motor o su carga conectada. Espere cinco (5) minutos antes de dar servicio a la unidad.

**⚠ ADVERTENCIA**

Asegúrese de que el interruptor de control, el reloj o el sistema de control estén instalados en una ubicación accesible. Así, en caso de una falla del equipo o de un empalme suelto, el equipo podrá apagarse. Esta ubicación no debe estar en la misma zona de la bomba de la piscina, del filtro ni de otros equipos.

**⚠ PRECAUCIÓN**

La bomba debe estar conectada permanentemente a un circuito eléctrico exclusivo. No se puede conectar otro equipo, otras luces, otros dispositivos u otros enchufes al circuito de la bomba.

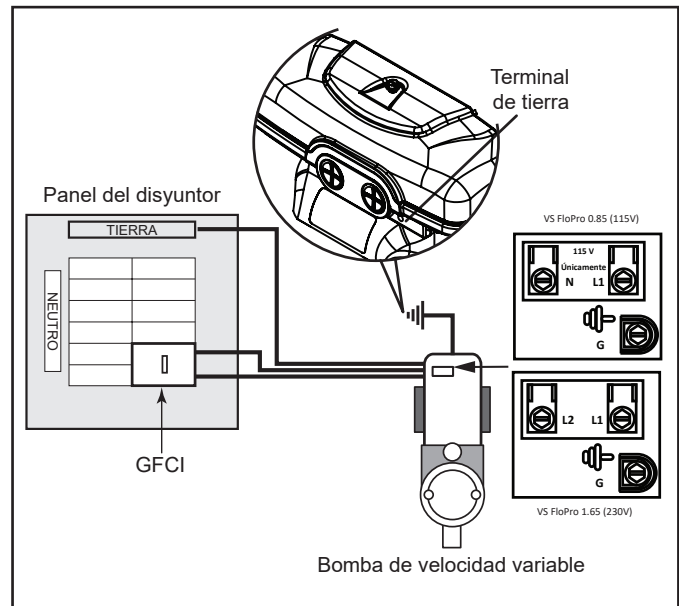


Figura 6. Conexión equipotencial del motor

**Cableado eléctrico**

- El motor de la bomba debe conectarse a tierra de manera segura y adecuada con el tornillo verde que se proporciona. Conecte a tierra antes de intentar conectar a un suministro de energía eléctrica. No conecte a tierra a una línea de suministro de gas.
- El tamaño del cable debe ser adecuado para minimizar la caída de voltaje durante la puesta en marcha y la operación de la bomba. Consulte la Tabla 3 para obtener los tamaños de cable sugeridos.
- Aísle todas las conexiones con cuidado para evitar la conexión a tierra o los cortocircuitos. Los bordes filosos en los terminales requieren una protección adicional. Por seguridad, y para evitar el ingreso de contaminantes, reinstale todas las cubiertas de la caja de distribución y de la caja de terminales. No fuerce las conexiones a la caja de distribución.

**NOTA** Cuando se suministre energía sola a esta bomba, no funcionará. Requiere un comando digital enviado por un controlador de velocidad variable (JEP-R), un controlador iQPUMP01, un controlador AquaLink® RS, un asistente digital para la piscina (PDA) AquaLink o un AquaLink Z4™ para funcionar a una velocidad elegida.

### Opciones del controlador VS FloPro

La bomba VS FloPro puede operarse mediante uno (1) de cinco (5) controladores: el controlador de velocidad variable JEP-R, el controlador iQPUMP01, el controlador AquaLink RS (Rev O o posteriores), el PDA AquaLink (Rev 4.0 o posteriores) o AquaLink Z4. La bomba de velocidad variable VS FloPro se comunica con los controladores mediante una interfaz RS-485 de cuatro cables.

### Opciones de instalación del controlador

Las bombas VSFHP085JEP y VSFHP165JEP vienen preconfiguradas para el controlador de velocidad variable JEP-R con ajustes de interruptores DIP preconfigurados para funcionar con este controlador. Las bombas VSFHP085AUT y VSFHP165AUT vienen preconfiguradas para su instalación con AquaLink RS, el PDA AquaLink o AquaLink Z4.

### Para instalar con un controlador AquaLink RS (rev. O o posterior), un PDA AquaLink PDA (rev 4.0 o posterior) o un AquaLink Z4:

1. Quite la energía de la bomba VS FloPro. Para ello, desconecte las líneas de alto voltaje o apague cualquier disyuntor al que esté conectada la energía de la bomba VS FloPro.

#### **⚠ ADVERTENCIA**

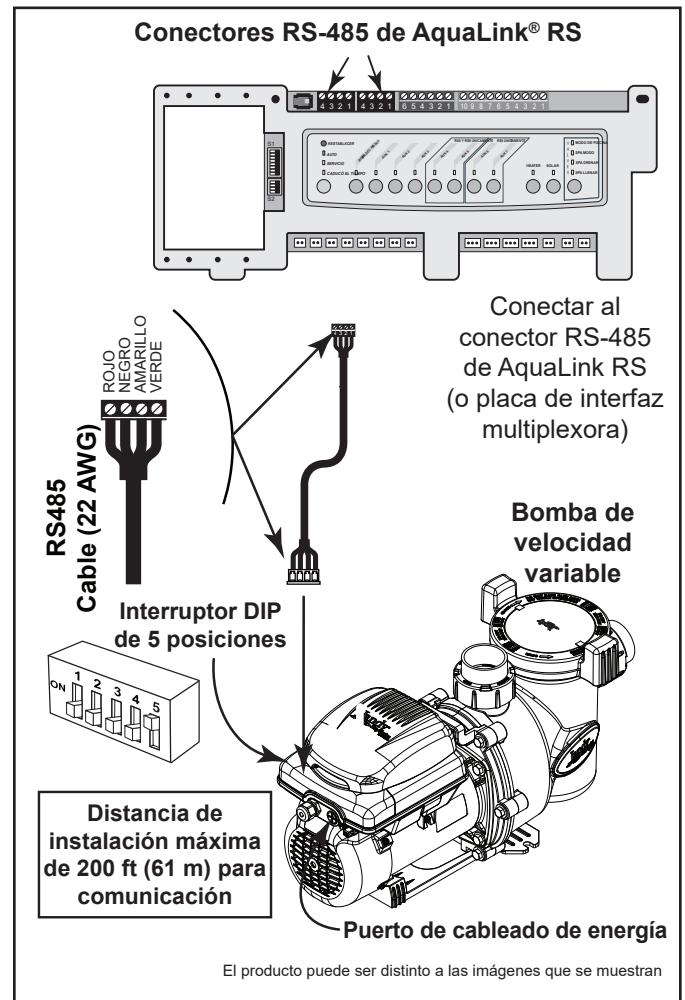
#### **PELIGRO DE DESCARGA ELÉCTRICA**

Apague todos los interruptores y el disyuntor principal del circuito eléctrico de la bomba de velocidad variable y espere cinco (5) minutos antes de comenzar el procedimiento. Si no se cumple esta indicación, podría haber peligro de descarga eléctrica, lo cual puede provocar lesiones personales o la muerte.

2. Quite la cubierta de acceso para completar las conexiones eléctricas al motor.
3. Deslice los interruptores DIP 1 y 2 a la posición de APAGADO. Deslice el interruptor DIP 5 a la posición de ENCENDIDO. Consulte la Figura 7.
4. Seleccione las direcciones deseadas para la bomba mediante la configuración de los interruptores DIP 3 y/o 4, como se muestra en la Sección 3.3, *Configuración de los interruptores DIP de la bomba VS FloPro*.
5. Si el cable RS-485 corto o el controlador JEP-R están preinstalados:
  - a. Desconecte el cable RS-485 del cabezal de 4 pines del accionador de la bomba.

Nota: No corte el cable, o perderá la capacidad de regresar a la configuración predeterminada de fábrica.

- b. Conecte el nuevo cable RS-485 desde AquaLink a través del acople de compresión disponible y tienda el cable de 4 conductores a través del puerto roscado del accionador del motor más cercano al conector. Figura 7.
6. Conecte el conector RS-485 en AquaLink® RS (o la placa de interfaz multiplexora), y haga coincidir los colores de los cables con las posiciones del conector de la manera siguiente: 1-rojo, 2-negro, 3-amarillo y 4-verde. Consulte la Figura 7.
  7. Asegure la cubierta de acceso del cableado al motor de la bomba.
  8. Restituya la energía a la bomba y verifique el funcionamiento del controlador.
  9. Consulte el manual adecuado para la configuración y la operación de la bomba: Manual del propietario de AquaLink RS, 6593, manual del propietario de PDA AquaLink, H0572300, o manual del propietario de AquaLink Z4™, H0386600.



**Figura 7. Cómo cablear el controlador AquaLink RS o el PDA AquaLink**

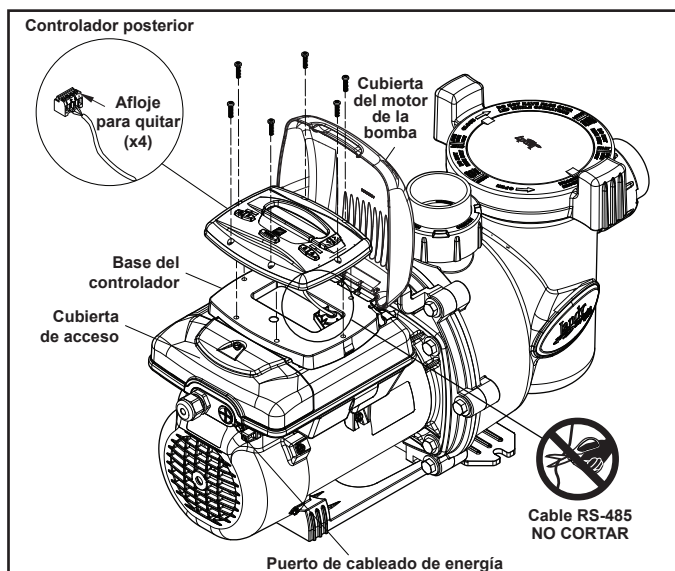
### Montaje remoto de JEP-R

El controlador de velocidad variable puede montarse de manera remota a una superficie vertical protegida de los elementos.

Siga las indicaciones con detenimiento para mantener la capacidad de reinstalar el controlador de velocidad variable en la bomba. Invierta el orden de las instrucciones para completar la reinstalación. Consulte la Figura 8.

**⚠ ADVERTENCIA**  
**PELIGRO DE DESCARGA ELÉCTRICA**

Apague todos los interruptores y el disyuntor principal del circuito eléctrico de la bomba de velocidad variable y espere cinco (5) minutos antes de comenzar el procedimiento. Si no se cumple esta indicación, podría haber peligro de descarga eléctrica, lo cual puede provocar lesiones personales o la muerte.



**Figura 8. Desconectar el controlador de velocidad variable de la bomba**

**⚠ ADVERTENCIA**

Al determinar el tendido y la protección de los cables del controlador de velocidad variable, asegúrese de cumplir todos los requisitos de National Electrical Code® (NEC®) y de todos los códigos locales. Los requisitos de código de NEC prohíben tender cables de señal en conductos o pasacables que se usan para conductores de ramales, alimentación o servicio. NEC también proporciona indicaciones para tender cables de señal de edificio a edificio en relación con la protección contra rayos.

#### En la bomba:

1. Quite la energía de la bomba. Para ello, desconecte las líneas de alto voltaje o apague o desactive cualquier disyuntor al que esté conectada la energía de la bomba.

2. Levante la cubierta del controlador sobre las bisagras para acceder al controlador de velocidad variable.
3. Extraiga los seis (6) tornillos para desconectar el controlador de velocidad variable de la base del controlador en el motor de la bomba.
4. Desconecte el cable RS-485 que conecta la interfaz de usuario del controlador de velocidad variable a la base del controlador en el motor. No extienda en exceso el cable al elevar el controlador en dirección opuesta al motor.
5. Desatornille los cuatro (4) terminales del conector y desconecte los cables del conjunto de cables del motor.
 

**Nota:** No corte el cable, o perderá la capacidad de regresar a la configuración predeterminada de fábrica.
6. Coloque el cable suelto en el bolsillo de la base del controlador. Este cable se usará si se vuelve a instalar el controlador de velocidad variable en la bomba.
7. Fije la cubierta del bolsillo y la junta con seis (6) tornillos a la base del controlador de velocidad variable del motor.
8. Quite el único (1) tornillo y la cubierta de acceso para completar las conexiones eléctricas al motor.
9. Inserte el extremo libre del nuevo cable RS-485 a través del acople de compresión disponible y tienda el cable de 4 conductores a través del puerto roscado del accionador del motor más cercano al conector.
10. Prepare el cable y conecte otro conector de 4 pasadores. Asegúrese de que los colores de los cables coincidan con la Figura 7.
11. Inserte el conector RS-485 en el conector RS-485 correspondiente de la PCB del motor.
12. Fije la tuerca del acople de compresión alrededor del cable para fijar el motor.
13. Verifique que la configuración de los interruptores DIP coincidan con la Figura 7.
14. Vuelva a instalar la cubierta de acceso con el único tornillo extraído en el paso 8.

Siga las instrucciones del manual de instalación/del propietario de la interfaz de usuario del controlador de velocidad variable (H0412200) para completar el montaje remoto del controlador.

#### Para instalar el controlador de velocidad variable JEP-R:

##### IMPORTANTE

El instalador debe ENCENDER los interruptores DIP 1 y 2 en la bomba cuando esté conectada al controlador de velocidad variable JEP-R o iQPUMP01.

1. Quite la energía de la bomba. Para ello, desconecte las líneas de alto voltaje o abra cualquier disyuntor al que esté conectada la energía de la bomba.

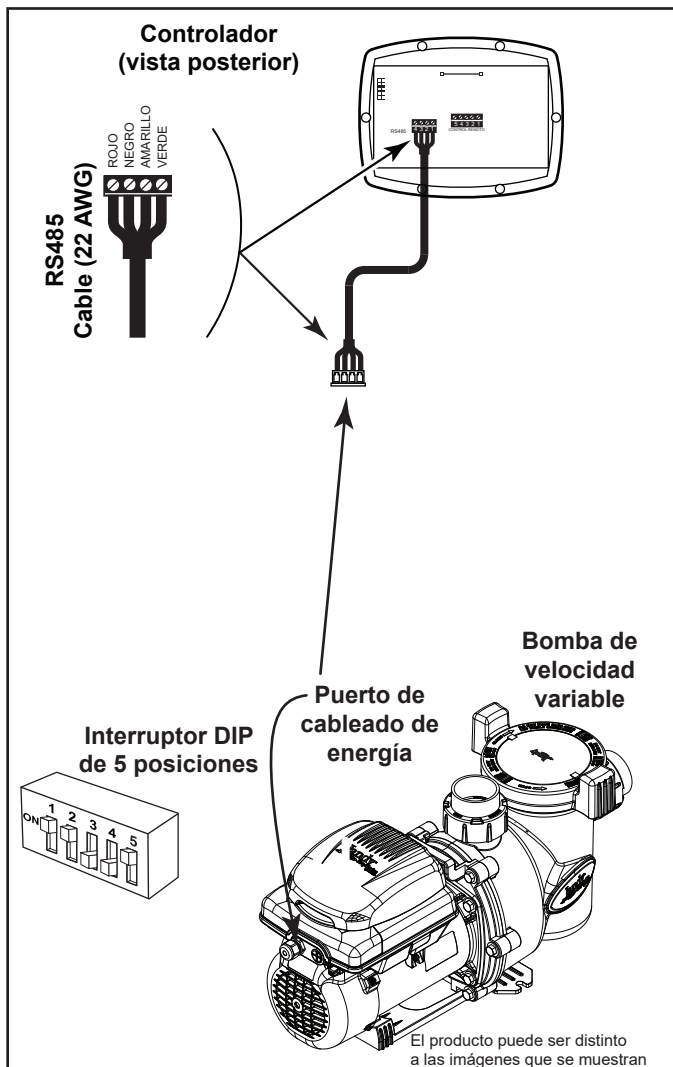


**⚠ ADVERTENCIA**

**PELIGRO DE DESCARGA ELÉCTRICA**

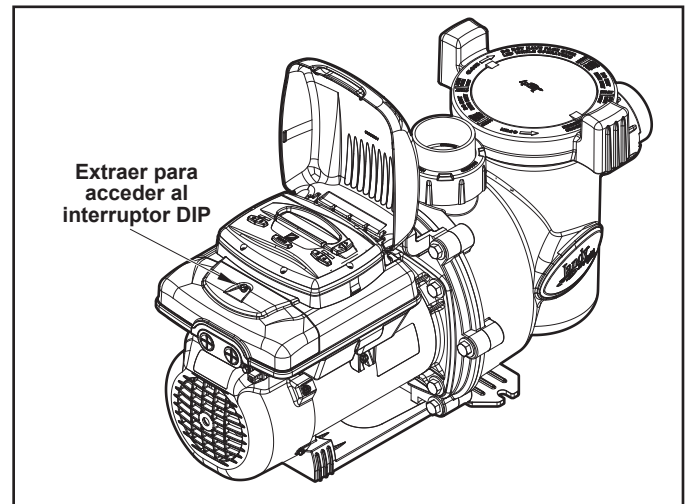
Apague todos los interruptores y el disyuntor principal del circuito eléctrico de la bomba de velocidad variable y espere cinco (5) minutos antes de comenzar el procedimiento. Si no se cumple esta indicación, podría haber peligro de descarga eléctrica, lo cual puede provocar lesiones personales o la muerte.

2. Extraiga la cubierta de la caja de conexiones y alimente el cable RS-485 en el acople.
3. Desenchufe el conector RS-485.
4. Conecte los cuatro (4) cables del cable RS-485 al conector RS-485. Haga coincidir los colores de los cables con las posiciones del conector: 1- rojo, 2- negro, 3- amarillo y 4- verde. Consulte la Figura 9.
5. Inserte el conector RS-485 nuevamente en la bomba.
6. Deslice los interruptores DIP 1 y 2 hacia arriba para que estén en posición de ENCENDIDO y deslice los interruptores 3 y 4 hacia abajo para que estén en posición de APAGADO. Consulte la Figura 9.



**Figura 9. Cableado del controlador de velocidad variable (JEP-R)**

7. Conecte el otro extremo del cable al controlador. Haga coincidir los colores de los cables con las posiciones adecuadas del conector de la manera siguiente: 1- rojo, 2- negro, 3- amarillo y 4- verde.
8. Asegure la cubierta de acceso del cableado al motor de la bomba.
9. Restituya la energía a la bomba y verifique el funcionamiento del controlador.
10. Consulte el manual del propietario del controlador de velocidad variable, H0412200, para operar la bomba.



**Figura 10. Cubierta de acceso del interruptor DIP**

**3.3 Configuración de interruptor DIP de la bomba VS FloPro**

El interruptor DIP de 5 posiciones está ubicado en la parte posterior de la bomba VS FloPro. Este interruptor DIP tiene dos (2) funciones: selecciona la dirección de la bomba y determina qué tipo de controlador se usará con la bomba.

**Tabla 4. Configuración del interruptor DIP de 5 posiciones**

Interruptor 1	Interruptor 2	Interruptor 5	Controlador
APAGADO	APAGADO	ENCENDIDO	AquaLink RS, PDA AquaLink o AquaLink Z4™
ENCENDIDO	ENCENDIDO	ENCENDIDO	JEP-R e iQPUMP01
Interruptor 3	Interruptor 4	Dirección de la bomba	
APAGADO	APAGADO	BOMBA 1	
ENCENDIDO	APAGADO	BOMBA 2	
APAGADO	ENCENDIDO	BOMBA 3	
ENCENDIDO	ENCENDIDO	BOMBA 4	



### 3.4 Prueba de presión

#### ADVERTENCIA

Cuando se llevan a cabo pruebas de presión en un sistema con agua, con frecuencia queda aire atrapado en el sistema durante el proceso de llenado. Este aire se comprimirá cuando se presurice el sistema. Si el sistema falla, este aire atrapado puede propulsar residuos a alta velocidad y provocar lesiones. Deben hacerse todos los esfuerzos posibles para quitar el aire atrapado, lo cual incluye abrir la válvula de purga del filtro y aflojar la tapa de la canasta de la bomba al llenar la bomba.

#### ADVERTENCIA

El aire atrapado en el sistema puede provocar que la tapa del filtro salga expulsada, lo que puede provocar la muerte, lesiones graves o daños de bienes. Asegúrese de que se haya purgado todo el aire del sistema antes de operar. **NO USE AIRE COMPRIMIDO PARA LLEVAR A CABO PRUEBAS DE PRESIÓN O VERIFICAR QUE NO HAYA FUGAS.**

#### ADVERTENCIA

##### PELIGRO DE DESCARGA ELÉCTRICA

No lleve a cabo pruebas de presión por arriba de los 35 psi. Un profesional de piscinas capacitado debe llevar a cabo las pruebas de presión. El equipo de circulación que no se pruebe correctamente puede fallar, lo que puede provocar lesiones graves o daños de bienes.

#### ADVERTENCIA

Al llevar a cabo pruebas de presión en el sistema con agua, es muy importante garantizar que la tapa de la canasta de la bomba esté completamente asegurada.

1. Llene el sistema de agua. Tenga cuidado de eliminar el aire atrapado.
2. Presurice el sistema con agua a no más de **35 PSI**.
3. Cierre la válvula para atrapar el agua presurizada en el sistema.
4. Observe que no haya fugas ni reducción de la presión en el sistema.
5. Si hay fugas en la tapa, repita el procedimiento. Para el soporte técnico de Zodiac, llame al 800.822.7933.

## Sección 4. Operación

### 4.1 Puesta en marcha

#### PRECAUCIÓN

Nunca haga funcionar la bomba sin agua. Si se hace funcionar la bomba “en seco” durante la cantidad de tiempo que sea, pueden ocurrir daños graves en la bomba y en el motor y se anulará la garantía.

Si se trata de una instalación de piscina nueva, asegúrese de que ninguna de las tuberías tenga residuos de construcción y de que todas hayan sido sometidas correctamente a pruebas de presión. Debe verificarse que la instalación del filtro sea correcta y que todas la conexiones y abrazaderas estén fijadas según las recomendaciones del fabricante.

#### ADVERTENCIA

Para evitar el riesgo de daños materiales, lesiones graves o la muerte, verifique que toda la energía esté apagada antes de comenzar este procedimiento.

1. Según la ubicación de la bomba, haga una de las cosas siguientes:
  - Si la bomba está ubicada por debajo del nivel del agua de la piscina, abra la válvula de seguridad del filtro para cebar la bomba con agua.
  - Si la bomba está ubicada por arriba del nivel del agua de la piscina, quite la tapa y llene la canasta con agua antes de poner en marcha la bomba.
2. Antes de volver a colocar la tapa, verifique que no haya residuos alrededor del asiento de la junta tórica de la tapa. Los residuos que pueden estar alrededor de la superficie de apoyo de la junta tórica de la tapa provocan que se filtre aire dentro del sistema. Esto dificulta que se cebe la bomba.
3. Apriete la tapa a mano para que haya un sello hermético. No use ninguna herramienta para apretar la tapa: apriete solo a mano. Asegúrese de que todas las válvulas estén abiertas y por que las uniones estén ajustadas.
4. Restituya la energía a la bomba. A continuación, encienda la bomba con las instrucciones del manual del propietario del controlador de velocidad variable o del sistema de automatización.
5. Después de que el aire haya abandonado el filtro, cierre la válvula de seguridad.
6. La bomba debe cebarse. El tiempo que tarde en cebarse dependerá de la elevación y del largo del tubo usado en el tubo de suministro de succión. Consulte *Recomendaciones de instalación* en la Sección 3.1 para obtener la elevación y el tamaño de tubo correctos.

La velocidad de cebado predeterminada es de 2750 RPM. La bomba tardará aproximadamente de 14 a 15 minutos en cebarse a esta velocidad si la bomba está ubicada a 10 pies por arriba del agua de la piscina. Si la velocidad de cebado se ajusta a 3450 RPM, la bomba debe cebarse antes de los 6 minutos a 10 pies por arriba del nivel del agua.

**NOTA** La bomba tiene el certificado NSF como que puede purgarse a alturas de hasta 10 pies por arriba del nivel de agua de la piscina, a nivel del mar. Sin embargo, para lograr un mejor autocebado, instale la bomba lo más cerca posible del nivel de agua de la piscina.

7. Si la bomba no se ceba y se siguieron todas las instrucciones hasta este punto, verifique que no haya fugas de succión. Si no hay fugas, repita los pasos 2-7.
8. Para obtener ayuda técnica, llame al soporte técnico de Zodiac® al 800.822.7933.

## Sección 5. Servicio y mantenimiento

### **⚠ PRECAUCIÓN**

Para evitar daños en los plásticos, no use lubricante ni sellador en la junta tórica. Solo debe usarse agua jabonosa para instalar y lubricar la junta tórica.

### 5.1 Para quitar la tapa de la bomba

1. Velar por que la bomba esté apagada.
2. Velar por que el interruptor del disyuntor que enciende el motor de la bomba esté apagado.

### **⚠ ADVERTENCIA**

#### **PELIGRO DE DESCARGA ELÉCTRICA**

Apague todos los interruptores y el disyuntor principal del circuito eléctrico de la bomba de velocidad variable y espere 5 minutos antes de comenzar el procedimiento. Si no se cumple esta indicación, podría haber peligro de descarga eléctrica, lo cual puede provocar lesiones personales o la muerte.

### **⚠ ADVERTENCIA**

#### **PELIGRO DE DESCARGA ELÉCTRICA**

Debido al posible riesgo de incendios, descargas eléctricas o lesiones, las bombas Zodiac® deben instalarse en conformidad con National Electrical Code® (NEC®), todos los códigos eléctricos y de seguridad locales y la Ley de Seguridad y Salud Ocupacionales (Occupational Safety and Health Act, OSHA). Es posible pedir copias de NEC a National Protection Association, 470 Atlantic Ave., Boston, MA 02210, o a su organismo gubernamental de inspección local.

En Canadá, las bombas Zodiac deben instalarse en conformidad con el Código Eléctrico Canadiense (CEC).

3. Velar por que todas las válvulas de aislamiento estén cerradas para evitar que el agua de la piscina llegue a la bomba.
4. Siga las marcas del anillo de bloqueo y gire el anillo en sentido antihorario hasta que las marcas de “START” (Inicio) se alineen con los puertos. Consulte las Figuras 13 y 14.
5. Quite con cuidado la tapa con el anillo de bloqueo.

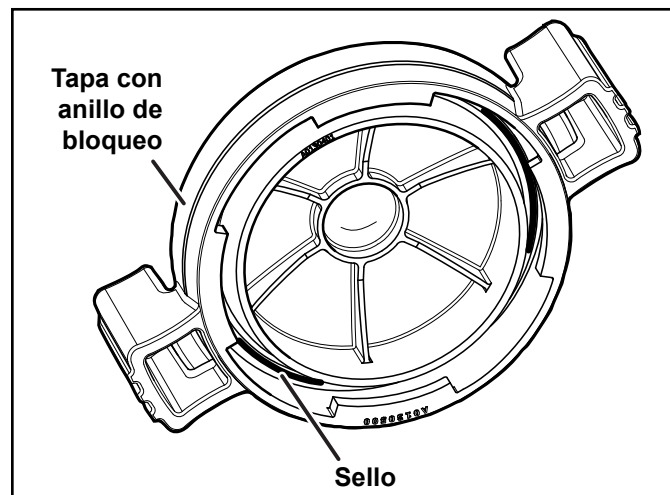


Figura 13. Junta tórica en el conjunto de la tapa

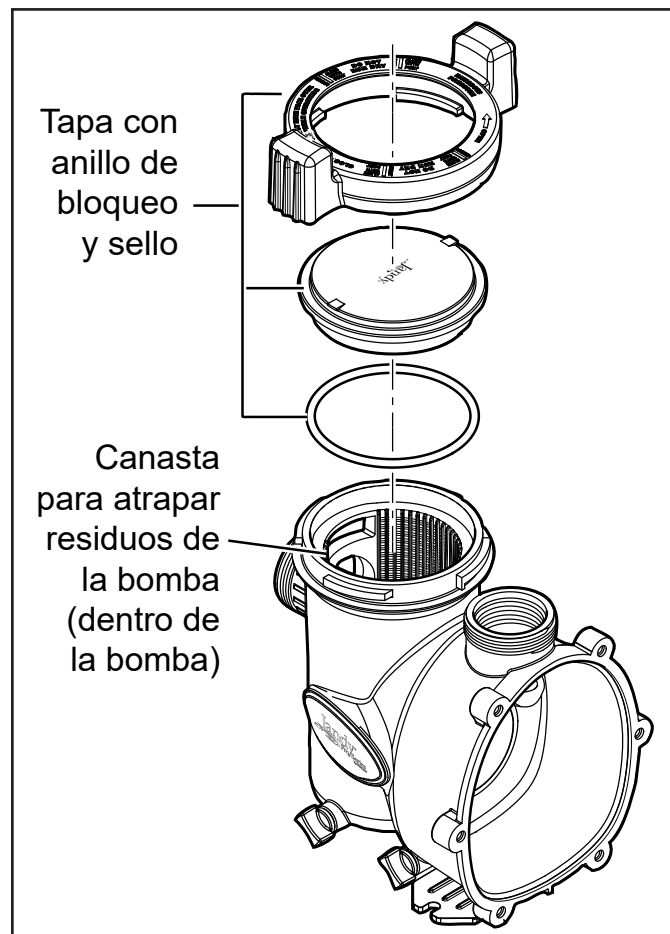


Figura 14. Vista ampliada de la bomba

## 5.2 Limpiar la canasta del filtro de la bomba

Inspeccione la canasta de la bomba para determinar que no haya residuos. Para ello, mire a través de la tapa transparente de la bomba. Elimine cualquier residuo, porque, a medida que se acumulan residuos, comenzarán a bloquear el flujo de agua a través de la bomba. Mantenga la canasta limpia para mejorar el desempeño de la bomba.

1. Corte la energía de la bomba. Si la bomba está ubicada por debajo del nivel del agua, cierre las válvulas de aislamiento de los lados de succión y de descarga de la bomba para evitar el reflujo de agua.
2. Gire el anillo de bloqueo de la tapa en sentido antihorario hasta que "START" (Inicio) se alinee con los puertos. Quite la tapa con cuidado.

### PRECAUCIÓN

Si la canasta está mal alineada, la tapa se asentará incorrectamente, lo que producirá una fuga de aire, y esto puede provocar daños en la bomba.

3. Levante la canasta y sáquela de la bomba.
4. Elimine los residuos y limpie bien la canasta. Asegúrese de que todos los orificios estén abiertos. Con una manguera de jardín, aplique agua a la canasta desde afuera para ayudar a desobstruir los orificios. Elimine a mano cualquier otro residuo que permanezca.
5. Vuelva a colocar la canasta en la bomba. Para ello, alinee la apertura con el tubo de succión. Si se alinea correctamente, la canasta caerá fácilmente en su lugar. **No la fuerce para que quede ajustada en su lugar.**
6. Quite el sellado de la tapa y elimine los residuos que están alrededor de la superficie de apoyo del sello de la tapa, ya que esto puede permitir fugas de aire al sistema. Limpie el sello de la tapa y colóquelo en la tapa.
7. Vuelva a colocar la tapa con el anillo de bloqueo. **Apriete la tapa a mano** para que haya un sello hermético. No use ninguna herramienta para apretar la tapa: **solo apriétela a mano.**
8. Verifique que todas las válvulas hayan regresado a la posición correcta para el funcionamiento normal.
9. Abra la válvula de seguridad del filtro y asegure que esté limpia y lista para la operación.
10. Encienda la energía a la bomba. Después de que todo el aire se haya evacuado del filtro, cierre la válvula de seguridad.

## 5.3 Preparación de la bomba para el invierno

### PRECAUCIÓN

La bomba **debe** protegerse cuando se esperen temperaturas por debajo del punto de congelamiento. Si se permite que la bomba se congele, se producirán daños graves y se anulará la garantía.

### PRECAUCIÓN

**¡No use soluciones anticongelantes en los sistemas de la piscina, del espá o del hidromasaje!** El anticongelante es extremadamente tóxico y puede dañar el sistema de circulación. La única excepción es el propilenglicol. Para obtener más información, consulte en la tienda local de suministros para la piscina/el espá o comuníquese con una empresa cualificada de servicio de piscinas.

1. Drene toda el agua de la bomba, de los equipos del sistema y de las tuberías.
  2. Quite los dos (2) tapones de vaciado. Guarde los tapones de vaciado en un lugar seguro y vuelva a instalarlos cuando finalice la estación de clima frío. **Vele por no extraviar las juntas tóricas de los tapones de vaciado.**
  3. Mantenga cubierto y seco el motor. No cubra la bomba con plástico porque esto creará condensación que dañará la bomba.
- NOTA** Zodiac Pool Systems LLC recomienda que un técnico de servicio o electricista calificado desconecte correctamente el cableado eléctrico en el interruptor o en la caja de conexiones. Después de cortar la energía, afloje las dos (2) uniones y guarde la bomba en una ubicación interior. Por seguridad, y para evitar el ingreso de contaminantes, reinstale todas las cubiertas de la caja de distribución y de la caja de terminales.
4. Cuando vuelva a abrir el sistema para su operación, solicite a un técnico o electricista cualificado que asegure que todas las tuberías, las válvulas, los cableados y los equipos estén en conformidad con las recomendaciones del fabricante. Preste mucha atención al filtro y a las conexiones eléctricas.
  5. La bomba debe cebarse antes de ponerse en marcha. Consulte la sección 4.1, Puesta en marcha.

## Sección 6. Resolución de problemas y reparación

Zodiac® recomienda con énfasis que llame a un técnico de servicio cualificado para llevar a cabo cualquier reparación en el sistema del filtro/de la bomba. Para encontrar a un técnico cualificado, consulte las páginas amarillas locales o visite [www.zodiacpoolsystems.com](http://www.zodiacpoolsystems.com) o [www.zodiacpoolsystems.ca](http://www.zodiacpoolsystems.ca) y haga clic en “Dealer Locator” (Buscador de distribuidores).

Síntoma	Causa posible/solución
El sistema de limpieza/ circulación no está funcionando correctamente.	<p>Verifique que las canastas del recolector, la canasta de la bomba y otras pantallas estén limpias. Limpie según sea necesario.</p> <p>Verifique el filtro y límpielo según sea necesario.</p> <p>Verifique la posición de las válvulas. Ajuste según resulte necesario.</p> <p><b>NOTA</b> Múltiples equipos que funcionan a la vez (por ejemplo, cascadas, chorros de spa y retornos superficiales) afectarán el funcionamiento correcto del sistema de limpieza.</p> <p>Consulte el manual del sistema de limpieza para asegurar que el sistema se ajuste según las recomendaciones del fabricante.</p>
Hay burbujas presentes en la canasta de la bomba.	<p>Hay aire en el sistema. Verifique el nivel del agua de la piscina o del espá para asegurar que sea correcto y que no entre aire a las tuberías de succión. Si el agua está al nivel normal, apague la bomba. Gire el anillo de bloqueo de la tapa en sentido antihorario hasta que “START” (Inicio) se alinee con los puertos. Extraiga la tapa y lleve a cabo una inspección visual del sello de la tapa en busca de grietas o brechas en la superficie de goma. Si no observa ninguna, use un trapo limpio para limpiar la superficie (nota: el trapo puede presentar material negro que se salió del sello de la tapa). Use el trapo nuevamente para limpiar la superficie coincidente del alojamiento. El uso de una muy pequeña cantidad de lubricante de silicona (no vaselina) ayudará a crear un sello correcto y a proteger el sello de la tapa. Alinee “START” (Inicio) con los puertos y gire el anillo de bloqueo en sentido horario hasta que “LOCKED” (Bloqueado) se alinee con los puertos.</p> <p><b>Apriete la tapa a mano</b> para que haya un sello hermético. <b>No use ninguna herramienta para apretar la tapa.</b> Vuelva a encender la bomba. Si el problema no se resuelve, es posible que resulte necesario cambiar el sello de la tapa.</p>
Todavía hay fugas de aire presentes.	<p>Verifique la unión de la tubería del lado de succión. Con la bomba en funcionamiento, intente apretar la unión. Si esto no detiene la fuga de aire, apague la bomba. Afloje ambas uniones y deslice la bomba fuera del lugar. Extraiga, limpie y vuelva a instalar ambas juntas tóricas de la unión.</p> <p>Vuelva a posicionar la bomba junto a la tubería y fije las tuercas de la unión a la bomba. Con juntas tóricas de unión limpias, apriete a mano las uniones para crear un sello. Si las uniones todavía no se sellan, apriete levemente con una pinza con ranura y lengüeta.</p> <p><b>No apriete en exceso.</b></p>
No hay aire en el sistema pero la presión continúa siendo baja.	<p>Es posible que haya residuos atrapados en el impulsor de la bomba. El impulsor de la bomba mueve el agua, y los álabes del impulsor pueden bloquearse con residuos. Consulte la <i>Sección 6.1, Mantenimiento del técnico de servicio e impulsor bloqueado</i>, en este manual para obtener más información.</p>
No hay residuos que bloqueen el impulsor y la presión continúa siendo baja.	<p>El impulsor de la bomba y el difusor muestran señales de desgaste normal. Indique a un técnico de servicio cualificado que verifique el impulsor y el difusor y que los reemplace según resulte necesario.</p> <p>Si la bomba es parte de una instalación relativamente nueva, puede tratarse de un problema eléctrico. Comuníquese con un técnico de servicio cualificado. Indique al técnico que verifique que no haya conexiones eléctricas sueltas y verifique el voltaje en el motor de la bomba mientras está en funcionamiento. El voltaje debe estar dentro del 10 % de la clasificación nominal de la placa de datos del motor. Si el voltaje no está dentro del 10 %, comuníquese con un electricista cualificado y/o con el proveedor de servicio de energía local.</p> <p>El sello de la bomba tiene fugas de aire. Indique a un técnico de servicio cualificado que reemplace el sello.</p>
Hay fugas de agua en la bomba entre el motor y el cuerpo de la bomba.	<p>Esto es provocado por un sello mecánico dañado o defectuoso. Reemplace el sello.</p>



Síntoma	Causa posible/solución
<p>La bomba se calienta y se apaga periódicamente.</p>	<p>Asegure que haya espacio suficiente alrededor del motor para hacer circular aire y mantener el motor fresco. Indique a un electricista calificado que verifique que no haya conexiones eléctricas sueltas y que verifique el voltaje en el motor de la bomba mientras está en funcionamiento. El voltaje debe estar dentro del 10 % de la clasificación nominal de la placa de datos del motor. Si el voltaje no está dentro del 10 %, comuníquese con un electricista calificado y/o con el proveedor de servicio de energía local.</p>
<p>La bomba no arranca.</p>	<p>No hay energía a la bomba.</p> <p>Asegúrese de que la bomba esté conectada correctamente a alto voltaje. Consulte la <i>Sección 3.2, Instalación eléctrica</i>, de este manual.</p> <p>Cableado de bajo voltaje incorrecto.</p> <p>Verifique el cableado de bajo voltaje entre la bomba y el controlador. Corríjalo de ser necesario. Consulte la <i>Sección 3.2, Instalación eléctrica</i>, de este manual.</p> <p>Configuración incorrecta de la dirección de la bomba.</p> <p>Asegúrese de que los interruptores DIP 3 y 4 de la bomba estén correctamente configurados para la instalación. Ambos deben estar en APAGADO para usarse con el controlador de velocidad variable o establecerse en la dirección correcta cuando están conectados a un controlador AquaLink® RS, un PDA AquaLink PDA o un AquaLink Z4™. Consulte la <i>Sección 3.3, Configuración de interruptor DIP de la bomba</i>, en este manual.</p> <p><b>Nota:</b> VS-FHP085 &amp; VSFHP165JEP deben tener siempre la configuración 5 de interruptor DIP en ENCENDIDO en ambos controladores.</p> <p>Hay una condición de falla.</p> <p>Observe el mensaje de falla en el controlador y corrija la falla antes de continuar. Si no está seguro sobre cómo corregir la falla, comuníquese con el soporte técnico de Zodiac® al 800.822.7933.</p>
<p>El LCD del controlador de velocidad variable no muestra información</p> <p><b>O bien</b></p> <p>Los LED de la bomba no están iluminados.</p>	<p>Configuración incorrecta de interruptor DIP.</p> <p>Asegúrese de que los interruptores DIP 1 y 2 de la bomba estén ambos en ENCENDIDO si el controlador es el JEP-R y que ambos estén en APAGADO si el controlador es un PDA, AquaLink RS o AquaLink Z4. Consulte la <i>Sección 3.3, Configuración de interruptor DIP de la bomba</i>, en este manual. <b>Nota:</b> El interruptor DIP 5 siempre debe estar en la posición de ENCENDIDO.</p> <p>Cableado de bajo voltaje incorrecto.</p> <p>Verifique el cableado de bajo voltaje entre la bomba y el controlador. Corríjalo de ser necesario. Consulte la <i>Sección 3.2, Instalación eléctrica</i>, de este manual.</p>
<p>El controlador muestra "Pump not connected" (Bomba no conectada).</p>	<p>Cableado de bajo voltaje incorrecto.</p> <p>Verifique el cableado de bajo voltaje entre la bomba y el controlador. Corríjalo de ser necesario. Consulte la <i>Sección 3.2, Instalación eléctrica</i>, de este manual.</p> <p>Dirección de la bomba establecida incorrecta.</p> <p>Asegúrese de que los interruptores DIP 3 y 4 de la bomba estén correctamente configurados para la instalación. Ambos deben estar en APAGADO para usarse con el controlador de velocidad variable o establecerse en la dirección correcta cuando están conectados a un controlador AquaLink RS, un PDA AquaLink o un AquaLink Z4. Consulte la <i>Sección 3.3, Configuración de interruptor DIP de la bomba</i>, en este manual.</p> <p><b>Nota:</b> El interruptor DIP 5 siempre debe estar en la posición de ENCENDIDO, sin importar el tipo de controlador.</p>
<p>Aparece un mensaje de falla en la pantalla del controlador.</p>	<p>Hay una condición de falla.</p> <p>Observe el mensaje de falla en el controlador y corrija la falla antes de continuar. Si no está seguro sobre cómo corregir la falla, comuníquese con el soporte técnico de Zodiac al 800.822.7933. En Canadá, llame al 1-888-647-4004</p>



## 6.1 Mantenimiento del técnico de servicio

### PRECAUCIÓN

Solo un técnico de servicio profesional cualificado en instalación de piscinas/espás debe llevar a cabo el servicio en esta bomba. Los procedimientos siguientes deben seguirse con exactitud. La instalación o la operación incorrectas pueden crear peligros eléctricos importantes, que pueden provocar que pasen voltajes altos por el sistema eléctrico. Esto puede provocar daños materiales, lesiones graves y la muerte. La instalación o la operación incorrectas anularán la garantía.

### Impulsor bloqueado

### ADVERTENCIA

Antes de llevar a cabo el servicio de la bomba, apague los disyuntores en la fuente de energía. Pueden producirse lesiones graves o la muerte si la bomba se inicia cuando su mano está dentro de la bomba.

1. Apague la bomba. Apague el disyuntor del motor de la bomba.
2. Quite la tapa y la canasta.
3. Busque residuos dentro de la bomba. Elimine cualquier residuo que haya encontrado dentro.
4. Vuelva a colocar la canasta y la tapa.
5. Encienda el disyuntor del motor de la bomba.
6. Encienda la bomba y vea si se resolvió el problema.
7. Si el impulsor continúa bloqueado con residuos y no es posible eliminarlos con los pasos 2-4, es necesario desarmar la bomba para acceder a la entrada y a la salida del impulsor.

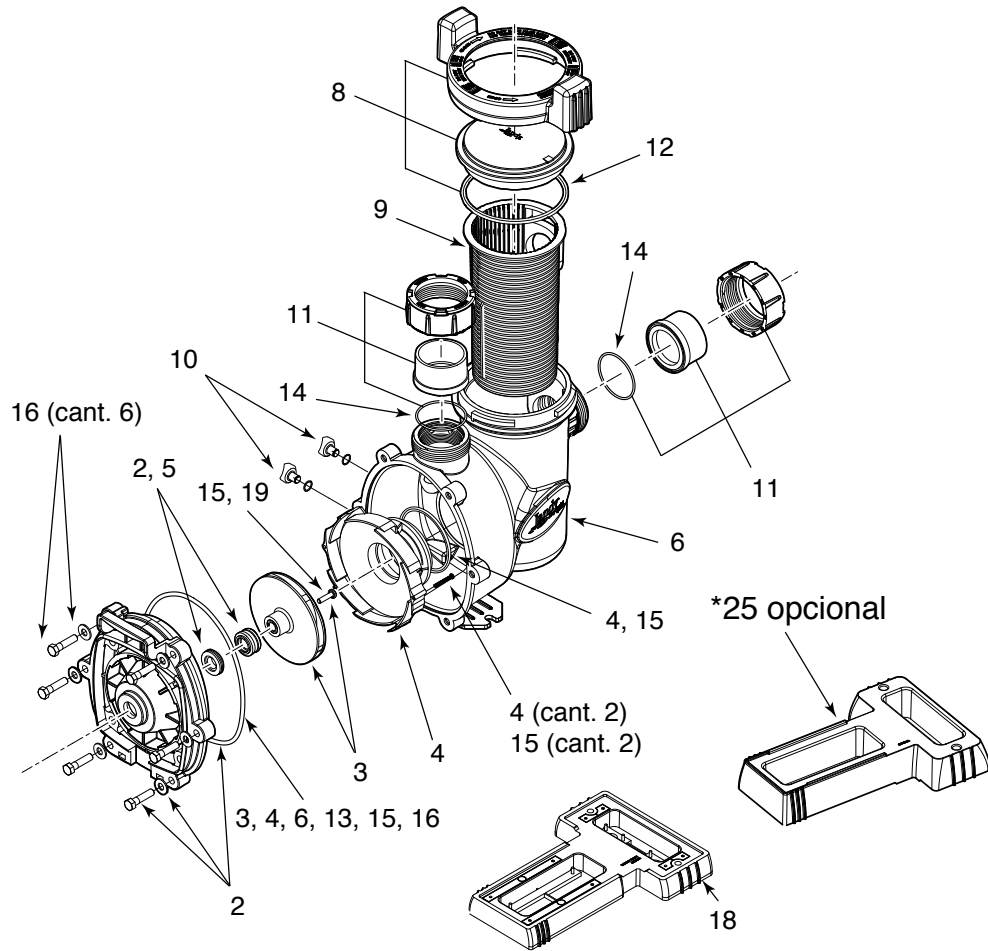
## Sección 7. Especificaciones del producto y datos técnicos

### 7.1 Lista de repuestos y vista expandida

Para pedir o comprar piezas para las bombas Zodiac®, comuníquese con el distribuidor de Zodiac más cercano. Si el distribuidor de Zodiac no puede proporcionarle lo que necesita, comuníquese con el soporte técnico de Zodiac al 1.800.822.7933 o envíe un correo electrónico a [productsupport@zodiac.com](mailto:productsupport@zodiac.com). En Canadá, 1.888.647.4004, [customerservicePSC@zodiac.com](mailto:customerservicePSC@zodiac.com)

N.º de clave	Descripción	N.º de pedido de la pieza
1	Motor y accionador, VSFHP085JEP	R0856100
1	Motor y accionador, VSFHP085AUT	R0856000
1	Motor y accionador, VSFHP165JEP	R0571000
1	Motor y accionador, VSFHP165AUT	R0670400
2	Placa posterior, pernos (6), arandelas (6), junta tórica de la placa posterior, sello mecánico (carbono y cerámica)	R0479500
3	Impulsor, tornillo de montaje, junta tórica de la placa posterior (VSFHP085JEP/VSFHP085AUT)	R0479602
3	Impulsor, tornillo de montaje, junta tórica de la placa posterior (VSFHP165JEP/VSFHP165AUT)	R0479603
4	Difusor, junta tórica, tornillos de montaje (2), junta tórica de la placa posterior (VSFHP085JEP/VSFHP085AUT)	R0479702
4	Difusor, junta tórica, tornillos de montaje (2), junta tórica de la placa posterior (VSFHP165JEP/VSFHP165AUT)	R0479701
5	Sello mecánico, carbono y cerámica (1 conjunto)	R0479400
6	Cuerpo de la bomba, junta tórica de la placa posterior	R0479800
7	Pie de montaje del motor	R0479900
8	Tapa, anillo de bloqueo, junta tórica	R0480000
9	Canasta de filtro de la bomba	R0480100
10	Tapón de drenaje con junta tórica (conjunto de 2)	R0446000
11	Tuerca de unión (2), pieza del extremo (2), junta tórica (2)	R0327301
12	Junta tórica de la tapa	R0480200
13	Junta tórica de la placa posterior	R0480300
14	Junta tórica de la pieza del extremo (conjunto de 2)	R0337600
15	Tornillería de difusor/impulsor con junta tórica de la placa posterior (junta tórica del difusor, tornillos de montaje del difusor, tornillo de montaje del impulsor, junta tórica de la placa posterior)	R0480400
16	Pernos de la placa posterior (6), arandela de la placa posterior (6), junta tórica de la placa posterior	R0480500
17	Pernos de montaje del motor (4), arandelas (4)	R0446700
18	Base ajustable pequeña con espaciadores, bombas FloPro	R0486700
19	Tornillo de montaje del impulsor con junta tórica	R0515400
20	Tornillo de montaje de la cubierta de acceso al cableado	R0587600
21	Tornillos de montaje del controlador JEP-R	R0571600
22	Cubierta de acceso al cableado con juntas	R0571400
23	Cubierta del ventilador con tornillos de montaje (4)	R0571300
24	Cubierta para controlador JEP-R incorporado	R0571500
25	Base grande, bombas FloPro	R0546400
26	Agarre del cable de 1/2"	R0501101
27	Controlador JEP-R	JEP-R

## 7.2 Vistas ampliadas



1 - Motor/accionador VSFHP085JEP  
y VSFHP165JEP

1 - Motor/accionador VSFHP085AUT  
y VSFHP165AUT

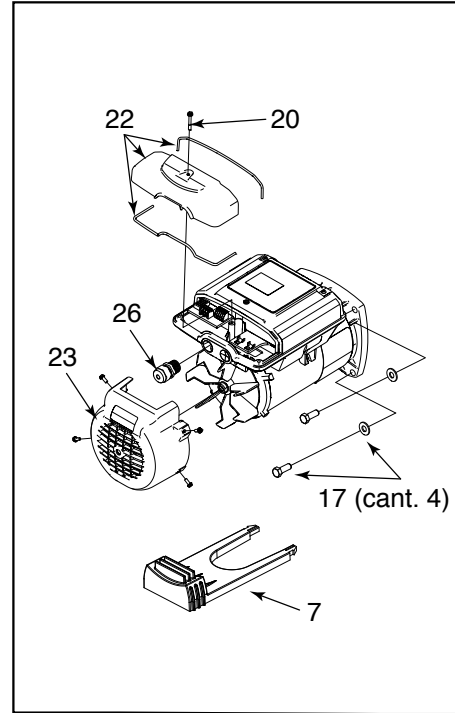
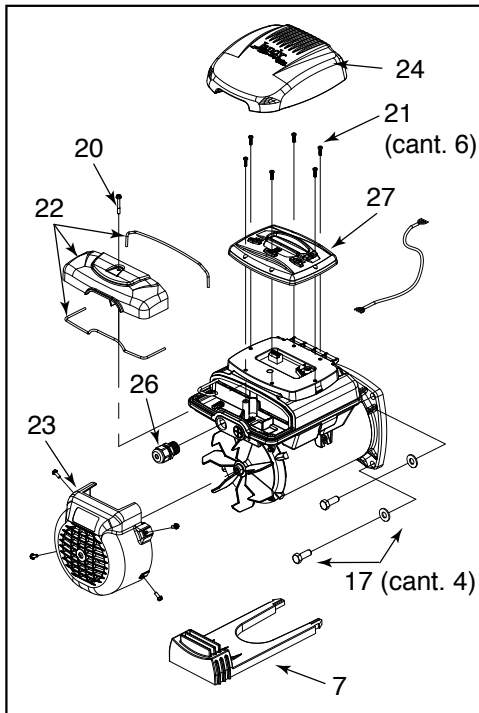


Figura 15. Vista expandida de las bombas VS



## 7.4 Especificaciones físicas y operativas

### Especificaciones

N.º de modelo	HP	Voltaje	Vatios máx.	Tamaño de tubo	Peso de la caja	Largo general
VSFHP165AUT y VSFHP165JEP	1.65	230 V CA	1,600W	1 1/2 - 2 1/2"	46 lb	24" (61 cm)
VSFHP085AUT y VSFHP085JEP	0.85	115 V CA	975W	1 1/2 - 2"	46 lb	24" (61 cm)

### 7.4.2 Dimensiones

**NOTA** Al instalar una bomba, deje un mínimo de dos (2) pies (30 cm) de espacio libre por arriba de la bomba para quitar la canasta del filtro.

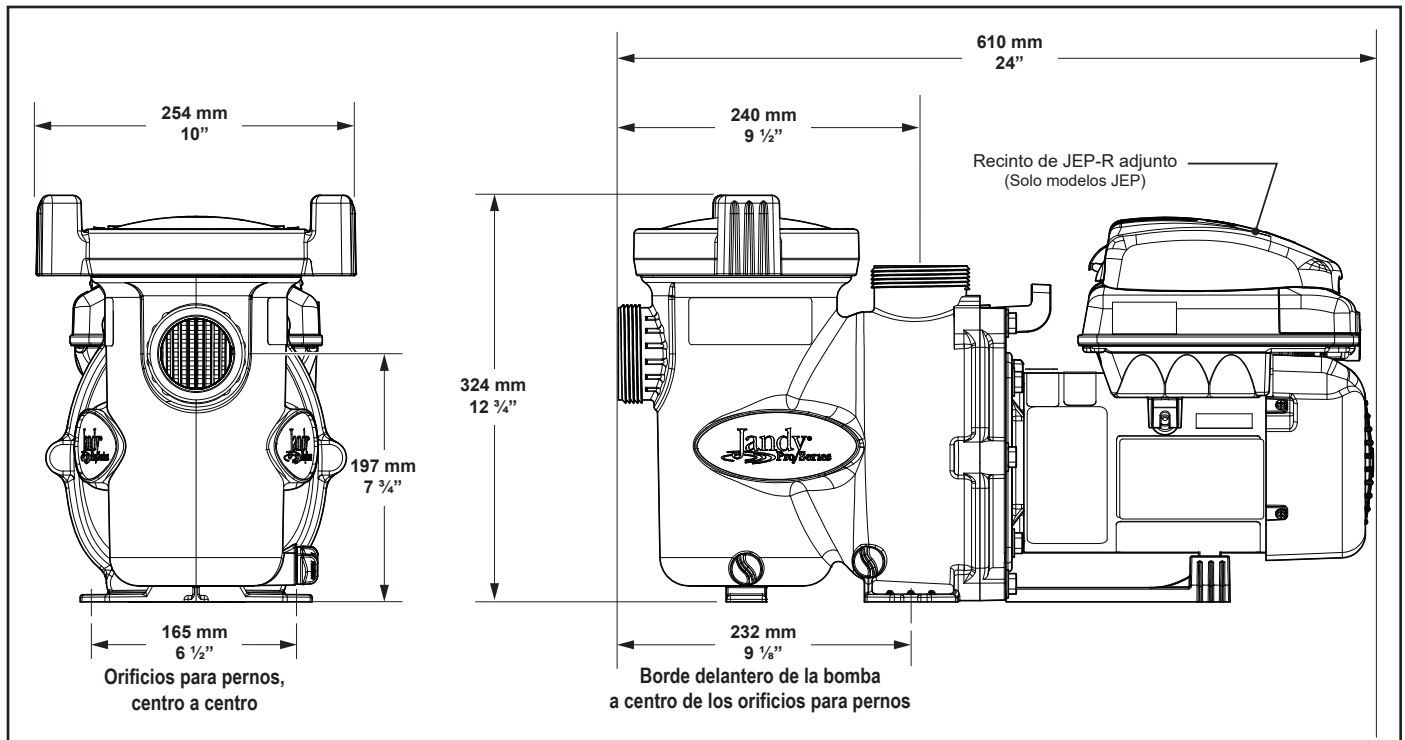


Figura 16. Dimensiones de VSFHP165AUT, VSFHP165JEP, VSFHP085AUT y VSFHP085JEP



**Zodiac Pool Systems LLC**

2882 Whiptail Loop # 100, Carlsbad, CA 92010  
www.ZodiacPoolSystems.com

**Zodiac Pool Systems Canada, Inc.**

2-3365 Mainway, Burlington, Ontario L7M 1A6  
www.ZodiacPoolSystems.ca

EE. UU. | Jandy.com | 1.800.822.7933  
Canadá | Jandy.ca | 1.888.647.4004

*©2019 Zodiac Pool Systems LLC. ZODIAC® es una marca comercial registrada de Zodiac International, S.A.S.U., utilizada bajo licencia. Todas las marcas comerciales a las que se hace referencia en este documento son propiedad de sus respectivos dueños.*

H0661800 REVC



ETL LISTED  
SE RIGE POR  
LA NORMA DE  
UL 1081

Certificado según  
CAN/CSA STD  
C22.2 No. 108



Certificado según la  
norma 50 de NSF/ANSI

