

# STEPS & CAPS

STEPS, CAPS (WALLS, COUNTERS AND PILLARS),  
POOL COPPING & OVERLAY SYSTEMS



# Compatibility Charts

WALLS & PILLARS	CAPS																
	Architectural cap	Brandon cap	Bullnose	Bullnose Grande	Escala 3.5"	Graphix cap	Piedimonte	Piedimonte 28" x 28"	Portofino	Prima 14"	Raffinato 60 mm	Raffinato 90 mm	Travertina Raw 12" x 30"	Travertina Raw 14" x 28"	York	York 28" x 28"	York 32" x 32"
Baltimore 90 & 180 mm	+	+		+			+		+	+	+	+	+	+	+		
Borealis does not require a cap																	
Brandon 90 & 180 mm		+	+	+			+		+				+	+	+		
Brandon 90 & 180 mm pillar								+								+	
Escala 3.5"	+	+	+	+	+	+	+		+	+	+	+	+	+	+		
G-Force							+										
Graphix						+	+										
Manchester	+						+		+							+	
Mini-Creta Collection	+	+	+	+			+		+	+	+	+	+	+	+		
Mini-Creta Pillar 24" Collection								+								+	
Prescott Collection							+		+							+	
Prescott Pillar Collection								+								+	
Raffinato Collection				+		+	+						+	+	+		
Raffinato Pillar Collection								+								+	
Röcka does not require a cap																	
Semma	+	+	+				+		+	+	+	+	+	+	+		
Semma Pillar																	+
Suprema							+	+	+	+	+	+	+	+	+		
Travertina Raw	+	+	+	+			+		+	+	+	+	+	+	+		
Travertina Raw pillar																	

NOTE: The combinations shown in this chart are not complete. Other possible combinations exist.

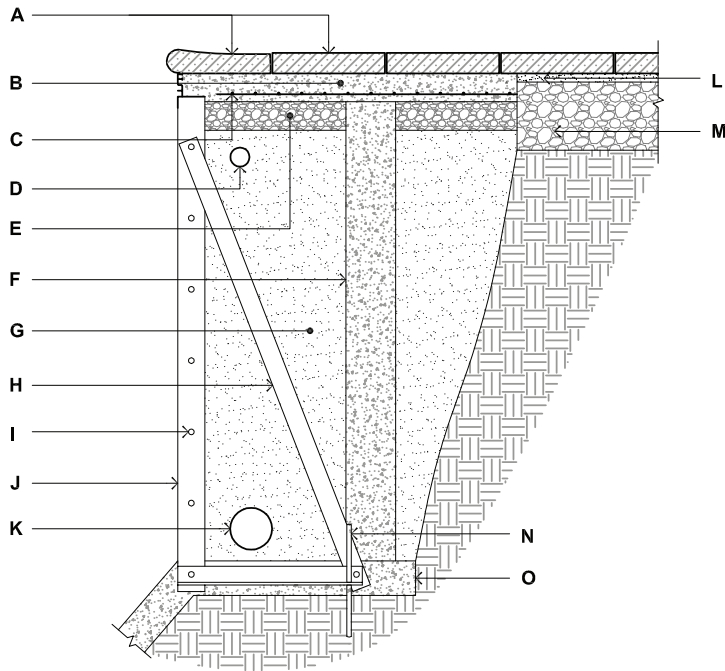
APPLICATIONS	CAPS																							
	Architectural cap	Bali Travertina Raw	Brandon cap	Bullnose	Bullnose Grande	Escala	Graphix cap	Piedimonte 12" x 30"	Piedimonte 14" x 30"	Piedimonte 28" x 28"	Portofino	Prima 14"	Raffinato 60 mm	Raffinato 90 mm	Travertina Raw 12" x 30"	Travertina Raw 14" x 28"	York wall caps 16", 32", 48"	York 14" x 48"	York 24" x 36"	York 28" x 28"	York 32" x 32"	Blu 45 mm	Venetian	
Step	+		+	+	+	+	+	+	+		+	+	+	+	+	+	+	+						
Concrete & step overlay system																							+	+
Pool coping		+		+	+		+	+	+		+	+	+	+	+	+	+	+						
Wall single-sided	+		+	+	+		+	+	+		+	+	+	+	+	+	+	+						
Wall double-sided	+					+	+	+	+		+	+	+	+	+	+	+	+						
Counter top										+	+						+		+	+	+			
Pillar										+										+	+	+		

LEGEND: + NEW PRODUCT

STEPS, CAPS & OVERLAY SYSTEM

# Installation guide

## POOL COPING



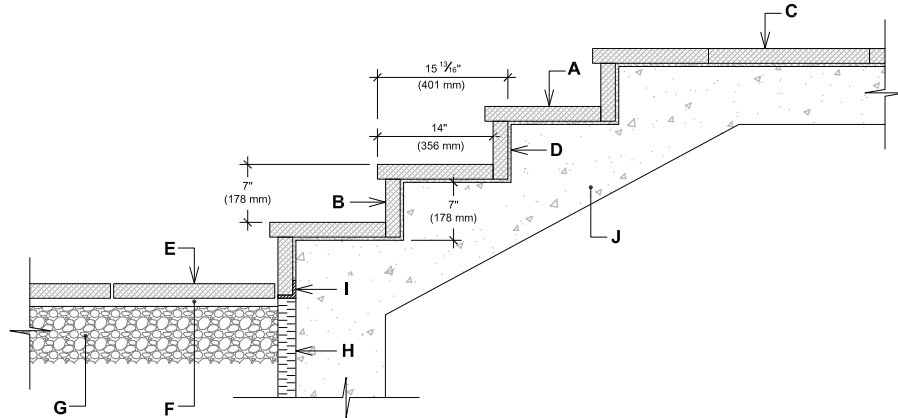
- A.** TECO-BLOC POOL COPING AND PAVER SECURED TO CONCRETE SLAB WITH ADHESIVE OR MORTAR
- B.** CONCRETE DECK 39" (1 m) WIDE BY 4" (100 mm) THICK MIN.
- C.** WELDED WIRE MESH, 6 X 6 - W1.4/W1.4 (152 X 152 MW9.1 X MW9.1)
- D.** FLEXIBLE PIPE, 1½" (40 mm) DIAM.
- E.** CLEAN STONE ¾" (20 mm), 2" (50 mm) THICK MIN.
- F.** CONCRETE PILLAR, 6" (150 mm) DIAM.
- G.** SAND BACKFILL
- H.** STRUT
- I.** POOL PANEL
- J.** POOL LINER
- K.** PERFORATED DRAIN, 4" (100 mm) DIAM. WRAPPED WITH A GEOTEXTILE
- L.** BEDDING COURSE, 1" (25 mm)
- M.** COMPACTED GRANULAR BASE 0-¾" (0-20 mm) (see table page 242 for thickness)
- N.** STEEL ROD ⅜" (10 mm) ANCHORED TO SUBGRADE
- O.** CONCRETE FOOTING, 4" (100 mm) THICK MIN.

○ **POOL COPING INSTALLATION**  
Typical cross section

# Installation guide

## OVERLAY OF EXISTING CONCRETE STEPS VENETIAN CAP, RISER AND SLAB BLU 45 MM

### OPTION 1: 7" (178 MM) HIGH RISER

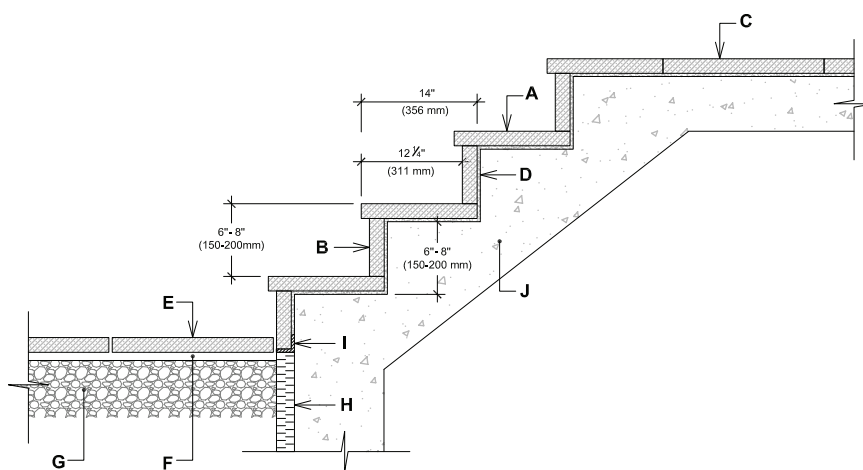


- A. Venetian Cap
- B. Venetian Riser (cut if the riser height is less than 7")
- C. Blu 45 mm Slab (3 sizes)
- D. Adhesive
- E. Techo-Bloc Pavers or Slabs
- F. Setting bed
- G. Compacted granular base 0-3/4" (0-20 mm)
- H. Rigid insulation
- I. Steel angle anchored to concrete
- J. Concrete stairway

### STEP OVERLAY SYSTEM INSTALLATION

Typical cross section

### OPTION 2: 5 7/8" (150 MM) TO 7 7/8" (200 MM) HIGH RISER



- A. Venetian Cap
- B. Sawn Venetian Riser (depending on the height of the riser)
- C. Blu 45 mm Slab (3 sizes)
- D. Adhesive
- E. Techo-Bloc Pavers or Slabs
- F. Setting bed
- G. Compacted granular base 0-3/4" (0-20 mm)
- H. Rigid insulation
- I. Steel angle anchored to concrete
- J. Concrete stairway

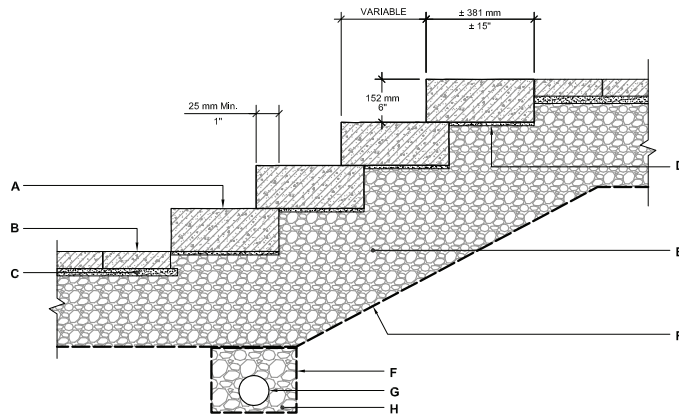
### STEP OVERLAY SYSTEM INSTALLATION

Typical cross section

# Installation guide

## STEPS

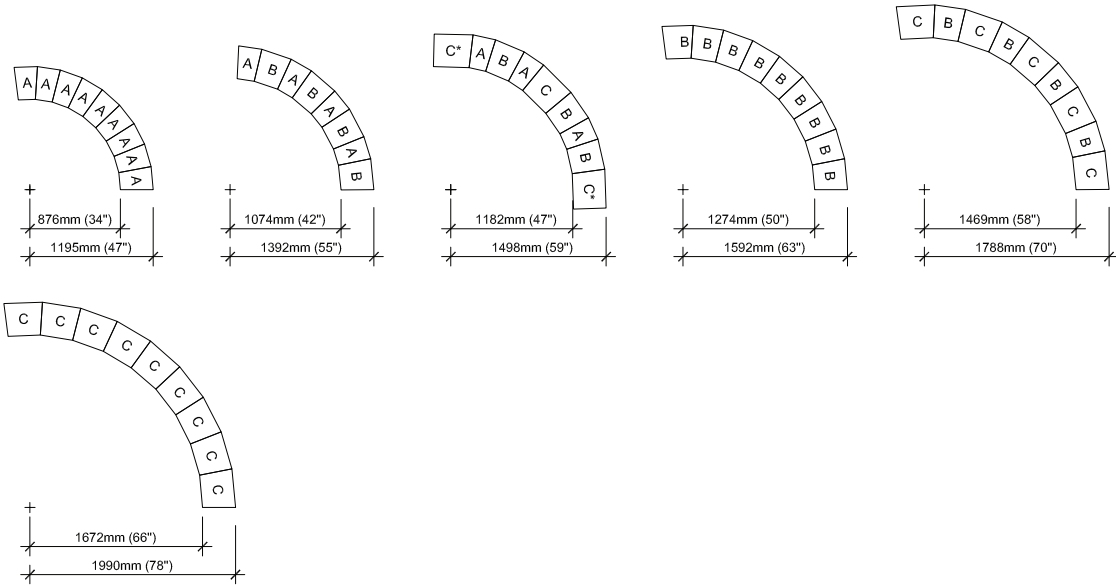
### RÖCKA



- A. RÖCKA STEP UNIT
- B. TECO-BLOC CONCRETE PAVER
- C. SETTING BED 1" (25 mm) THICK
- D. SETTING BED 3/2" (12 mm) MAX. TO COMPACT (AS REQUIRED FOR ALIGNMENT)
- E. COMPACTED GRANULAR BASE 0-3/4" (0-20 mm) THICKNESS ACCORDING TO PROJECT SPECIFIC CONDITIONS
- F. GEOTEXTILE
- G. PERFORATED DRAIN 4" (100 mm) DIA. CONNECTED TO SERVICES
- H. CLEAN STONE 3/4" (20 mm)

# Installation guide

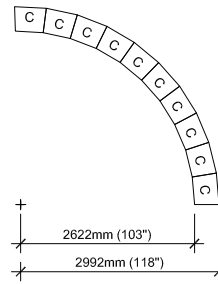
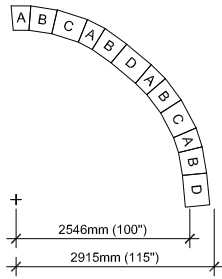
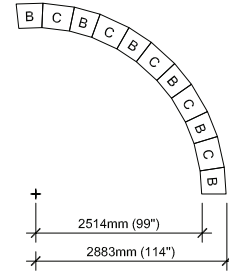
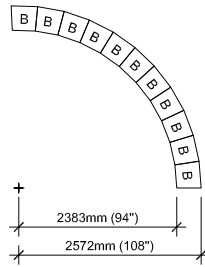
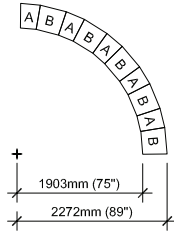
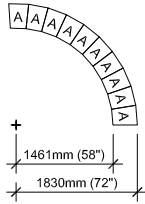
## CAP RADIUS - ARCHITECTURAL



It is the user's responsibility to verify for the quantity of materials required.

# Installation guide

## CAP RADIUS - PORTOFINO



It is the user's responsibility to verify for the quantity of materials required.