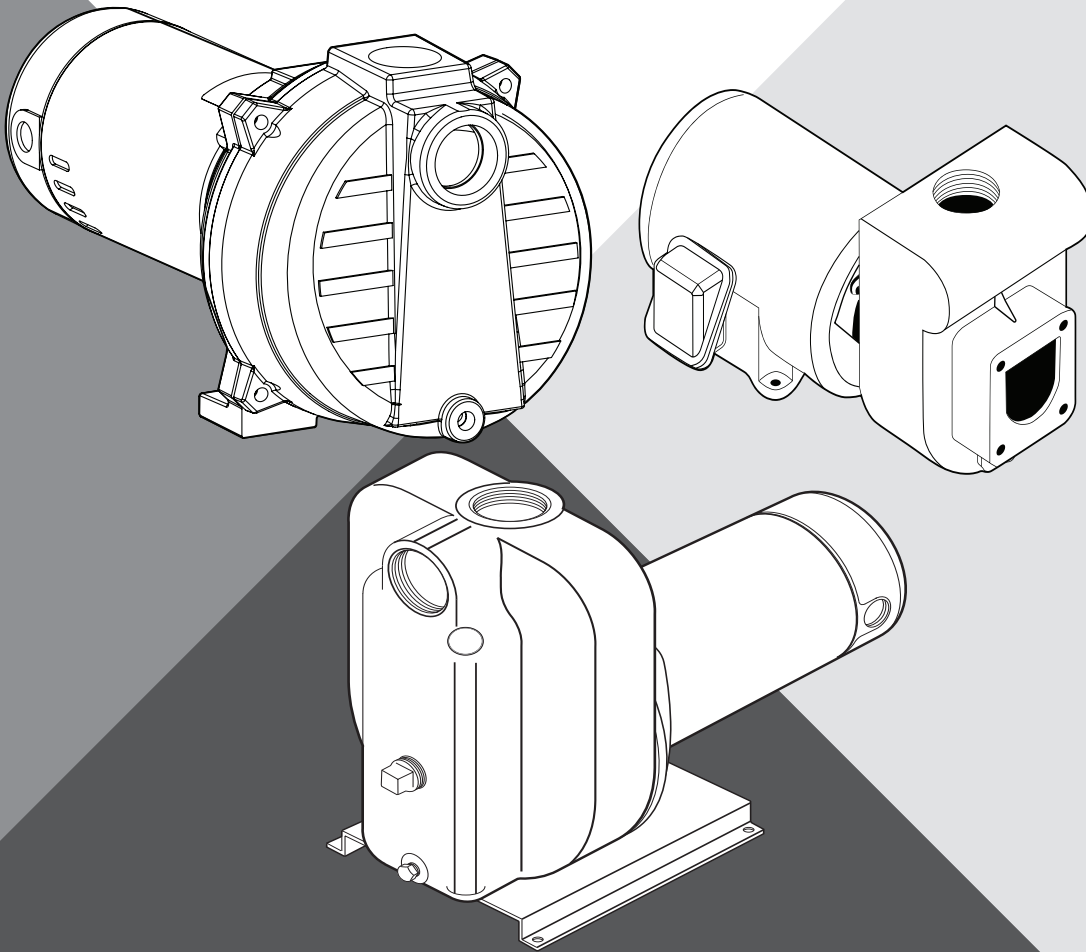


# PRO SELF-PRIMING CENTRIFUGAL AND SPRINKLER PUMPS

ENGLISH: 1-30 • FRENCH: 31-60 • SPANISH: 61-90



## OWNER'S MANUAL

[PENTAIR.COM](https://www.pentair.com)

# TABLE OF CONTENTS

---

|                           |    |
|---------------------------|----|
| SAFETY INSTRUCTIONS ..... | 3  |
| INSTALLATION .....        | 4  |
| ELECTRICAL .....          | 6  |
| OPERATIONS .....          | 8  |
| MAINTENANCE .....         | 9  |
| REPAIR PARTS .....        | 12 |
| TROUBLESHOOTING.....      | 27 |
| WARRANTIES .....          | 28 |

THIS MANUAL COVERS THE FOLLOWING MODEL SERIES:


BERKELEY MODELS: LTHH, BPD, LTH/LTM.

MYERS MODELS: MDPC, QP, PQP.

STA-RITE MODELS: DPC, D, DS2, DS3, PD

# SAFETY INSTRUCTIONS

## SAFETY SYMBOLS

 This is the safety alert symbol. When you see this symbol on your pump or in this manual, look for one of the following signal words and be alert to the potential for personal injury:

**⚠ DANGER** warns about hazards that will cause serious personal injury, death or major property damage if ignored.

**⚠ WARNING** warns about hazards that can cause serious personal injury, death or major property damage if ignored.

**⚠ CAUTION** warns about hazards that will or can cause minor personal injury or property damage if ignored.

The word **NOTE** indicates special instructions that are important but not related to hazards.

## CALIFORNIA PROPOSITION 65 WARNING

**⚠ WARNING** This product and related accessories contain chemicals known to the State of California to cause cancer, birth defects or other reproductive harm.

## GENERAL SAFETY

**⚠ WARNING** **DO NOT TOUCH AN OPERATING MOTOR.** Modern motors can operate at high temperatures. To avoid burns when servicing pump, allow it to cool for 20 minutes after shut-down before handling.

- ◆ To avoid heat buildup, over-pressure hazard, and possible injury, do not use in a pressure tank (domestic water) system. Do not use as a booster pump; pressurized suction may cause pump body to explode.
- ◆ Do not allow pump or piping system to freeze. Freezing can damage pump and pipe, may lead to injury from equipment failure, and will void warranty.
- ◆ Pump only water with this unit.
- ◆ Periodically inspect pump and system components.
- ◆ Wear safety glasses at all times when working on pumps.
- ◆ Keep work area clean, uncluttered and properly lighted; properly store all unused tools and equipment.
- ◆ Keep visitors at a safe distance from the work areas.
- ◆ Make workshops childproof; use padlocks and master switches; remove starter keys.



## ELECTRICAL SAFETY

**⚠** Wire motor for correct voltage. See “Electrical” section of this manual and motor nameplate.

**⚠** Ground motor before connecting to power supply.

**⚠** Meet National Electrical Code, Canadian Electrical Code, and local codes for all wiring.

**⚠** Follow wiring instructions in this manual when connecting motor to power lines.

| <b>⚠ WARNING</b>                                                                    |                                                                                                       |
|-------------------------------------------------------------------------------------|-------------------------------------------------------------------------------------------------------|
|  |                                                                                                       |
|   | Hazardous voltage. Can shock, burn, or cause death.<br>Ground pump before connecting to power supply. |

# INSTALLATION

## PRIOR TO PUMP INSTALLATION

- ◆ Ensure the well is not more than 20 foot depth to water.
- ◆ Locate pump as close to the well as possible, using use as few elbows and fittings as possible. Long runs and many fittings increase friction and reduce flow.
- ◆ Ensure the well is clear of sand. Sand will clog the pump and void the warranty.
- ◆ Protect pump and all piping from freezing. Freezing will split pipe, damage pump and void the warranty. Check local frost protection requirement. Usually piping must be 12" below frost line and the pump must be insulated.
- ◆ Be sure all pipes and the foot valve are clean and in good shape.
- ◆ Ensure there are no air pockets or leaks in suction pipe. Use PTEE pipe thread sealant tape to seal pipe joints.
- ◆ Unions installed near the well and pump aid in servicing. Make sure to leave room for use of wrenches.

**⚠ WARNING** PUMP BODY MAY EXPLODE if used as a booster pump. DO NOT use in a booster application.

## WELL PIPE INSTALLATION

Use the installation method below that matches your well type.

### CASED WELL INSTALLATION

1. Inspect foot valve to be sure it works freely. Inspect strainer to be sure it is clean.
2. Connect foot valve and strainer to the first length of suction pipe and lower pipe into well. Add sections of pipe as needed, using PTFE pipe thread sealant tape on male threads. Be sure that all suction pipe is leak proof or pump will lose prime and fail to pump.
3. Install foot valve 10 to 20 feet below the lowest level to which water will drop while pump is operating (pumping water level). Your well driller can furnish this information.
  - ◆ To prevent sand and sediment from entering the pumping system, the foot valve/strainer should be at least 5 feet above the bottom of the well.
4. When the proper depth is reached, install a sanitary well seal over the pipe and in the well casing. Tighten the bolts to seal the casing.
5. When using a foot valve, a priming tee and plug are recommended (Figure 1).

### DUG WELL INSTALLATION

Follow the same instructions as outlined in Cased Well Installation.

## DRIVEN WELL POINT INSTALLATION

1. Connect the suction pipe to the drive point (Figure 2). Keep horizontal pipe run as short as possible. Use PTFE pipe thread sealant tape on male pipe threads. Multiple well points may be necessary to provide sufficient water to pump.
2. Install a check valve in horizontal pipe. Ensure the check valve's flow arrow point toward the pump.

## HORIZONTAL PIPING FROM WELL TO PUMP INSTALLATION

1. Never install a suction pipe that is smaller than the suction port of the pump.
2. To aid priming with well point installations, install a check valve as shown in Figure 2. Ensure the check valve's flow arrow point toward the pump.

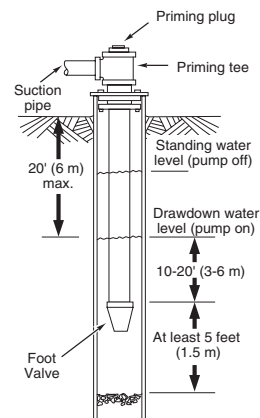


FIGURE 1-

### CASED/DUG WELL INSTALLATION

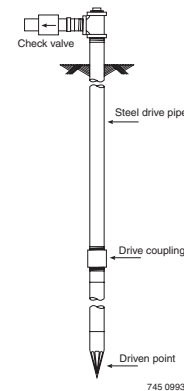


FIGURE 2 - DRIVEN POINT INSTALLATION

## DISCHARGE PIPE SIZES

1. If increasing discharge pipe size, install reducer in pump discharge port. Do not increase pipe size by stages.
2. When the pump is set away from the points of water use, the discharge pipe size should be increased to reduce pressure losses caused by friction.
  - ◆ Up to 100' run: Same size as pump discharge port.
  - ◆ 100' to 300' run: Increase one pipe size.
  - ◆ 300' to 600' run: Increase two pipe sizes.

# INSTALLATION

## LAWN SPRINKLING APPLICATION

This pump is designed for a pond, cistern or well points. Pump discharge can be divided to supply two (2) or more sprinkler systems. A suggested multiple discharge to service is shown in Figure 3.

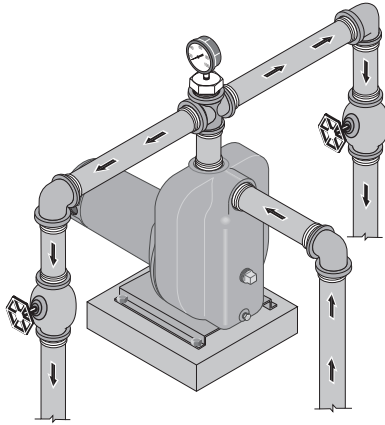


FIGURE 3 - MULTIPLE DISCHARGE

## PUMP/PIPING INSTALLATION

Use only PTFE pipe thread sealant tape for making all threaded connections to the pump itself. Do not use pipe joint compounds on plastic pumps: they can react with the plastic in the pump components.

Make sure that all pipe joints in the suction pipe are air tight as well as water tight. If the suction pipe can suck air, the pump will not be able to pull water from the well.

1. Bolt pump to solid, level foundation.
2. Support all piping connected to the pump.
  - ◆ Install pump as close to well head as possible. Long piping runs and many fittings create friction and reduce flow.
3. Wrap 1-1/2 to 2 layers of PTFE pipe thread sealant tape clockwise (as you face end of pipe) on all male threads being attached to pump.

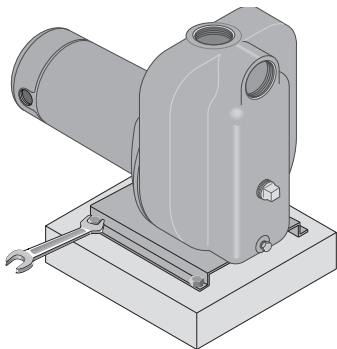


FIGURE 4 - BOLT PUMP DOWN

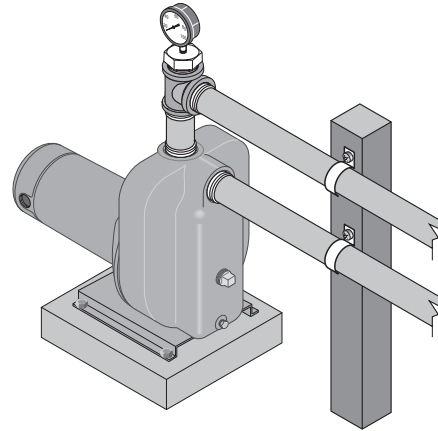


FIGURE 5 - INDEPENDENTLY SUPPORT PIPING ATTACHED TO PUMP

4. Tighten joints hand tight plus 1-1/2 turns. Do not over tighten.
5. If long, horizontal pipe runs have to be used, install a priming tee between the check valve and the well head (Figure 1). Use schedule 80 or iron pipe.

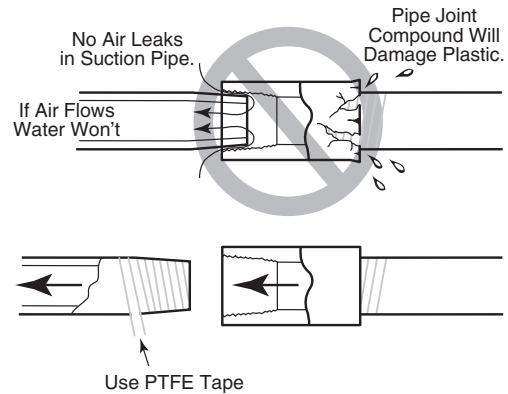


FIGURE 6 - NO AIR POCKETS IN SUCTION PIPE

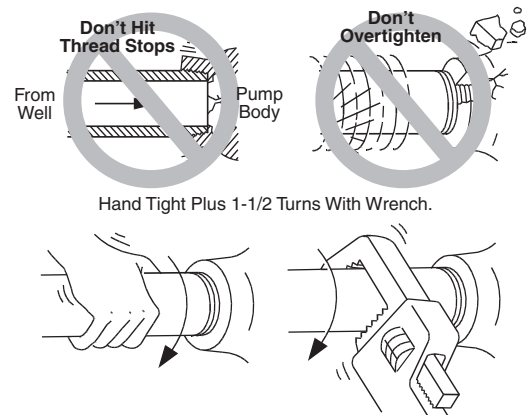


FIGURE 7 - SUCTION PIPE MUST NOT LEAK

## WIRING

Install, ground, wire and maintain this pump in accordance with electrical code requirements. Consult your local building inspector for information about codes. Read and follow all warnings below.

**⚠ WARNING HAZARDOUS VOLTAGE.** Can shock, burn or kill. Disconnect power to motor before working on pump or motor. Ground motor before connecting to power supply.

**⚠** To avoid dangerous or fatal electrical shock, turn OFF power to motor before working on electrical connections.

**⚠** Supply voltage must be within  $\pm 10\%$  of nameplate voltage. Incorrect voltage can cause fire or damage motor and voids warranty. If in doubt consult a licensed electrician.

**⚠** Use wire size specified in this manual's Wiring Chart.

**⚠** Wire motor according to diagram on motor nameplate. If nameplate diagram differs from this manual's diagrams, follow nameplate diagram.

1. Provide a correctly fused disconnect switch for protection while working on motor. Consult local or national electrical codes for switch requirements\*.
2. Disconnect power before servicing motor or pump. If the disconnect switch is out of sight of pump, lock it open and tag it to prevent unexpected power application.
3. Ground the pump permanently using a wire of the same size as specified in this manual's Wiring Chart. Make ground connection to green grounding terminal under motor canopy marked GRD. or  $\perp$ .
4. Connect ground wire to a grounded lead in the service panel or to a metal underground water pipe or well casing at least 10 feet long. Do not connect to plastic pipe or insulated fittings.  
**⚠** Do not ground to a gas supply line.
5. Protect current carrying and grounding conductors from cuts, grease, heat, oil, and chemicals.

6. Motor has automatic internal thermal overload protection. If motor has stopped for unknown reasons, thermal overload may restart it unexpectedly, which could cause injury or property damage. Disconnect power before servicing motor.

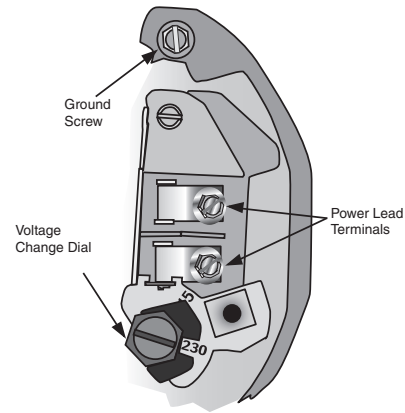


FIGURE 8 - VOLTAGE SET TO 230 VOLT CURRENT. ROTARY SELECTOR

7. If this procedure or the wiring diagram are confusing, consult a licensed electrician
  - ◆ Refer to Figure 8 for wiring configuration.
  - ◆ Connect current-carrying conductors to terminals L1 and L2. When replacing the motor, check wiring diagram on the motor nameplate. For 3-phase motors or motor's whose wiring diagram does not match Figure 8, follow the diagram on the motor.

### 115 VOLT USAGE CONFIGURATION

115/230 volt, single phase models are configured at the factory for 230 volt usage.

#### If power supply will be 115 volts:

1. Ensure power is off.
2. Remove motor cover.
3. Using a screwdriver or 1/2" wrench, turn the voltage selector dial counter-clockwise to the 115 volt setting.
4. Replace motor cover.

(\*)Dual element or Fusetron time delay fuses recommended for all motor circuits.

# ELECTRICAL

## DS2, DS3, LTHH, PD, BPDH, PQP, DPC, MDPC, D, LTH, LTM SERIES - WIRING CHART RECOMMENDED WIRE AND FUSE SIZES

| HP    | VOLTAGE | PHASE | MAX. LOAD AMPS | BRANCH FUSE RATING AMP | DISTANCE IN FEET (METERS) FROM MOTOR TO SUPPLY |                 |                 |                  |
|-------|---------|-------|----------------|------------------------|------------------------------------------------|-----------------|-----------------|------------------|
|       |         |       |                |                        | 0-100 (0-30)                                   | 101-200 (31-61) | 201-300 (62-91) | 301-400 (92-122) |
|       |         |       |                |                        | AWG WIRE SIZE - 115V/230V (MM <sup>2</sup> )   |                 |                 |                  |
| 1/2   | 115/230 | 1     | 8.5/4.3        | 15/15                  | 14/14 (2/2)                                    | 12/14 (3/2)     | 10/14 (5.5/2)   | 8/14 (8.4/2)     |
| 3/4   | 115/230 | 1     | 11.4/5.7       | 20/15                  | 14/14 (2/2)                                    | 10/14 (5.5/2)   | 8/14 (8.4/2)    | 6/12 (14/3)      |
| 1     | 115/230 | 1     | 12.2/6.1       | 25/15                  | 12/14 (3/2)                                    | 8/14 (8.4/2)    | 8/14 (8.4/2)    | 6/12 (14/3)      |
| 1     | 230/460 | 3     | 3.6/1.8        | 15/15                  | 14/14 (2/2)                                    | 14/14 (2/2)     | 14/14 (2/2)     | 14/14 (2/2)      |
| 1-1/2 | 115/230 | 1     | 18.4/9.2       | 30/20                  | 10/14 (5.5/2)                                  | 8/14 (8.4/2)    | 6/12 (14/3)     | 4/10 (21/5.5)    |
| 1-1/2 | 230/460 | 3     | 4.7/2.35       | 15/15                  | 14/14 (2/2)                                    | 14/14 (2/2)     | 14/14 (2/2)     | 14/14 (2/2)      |
| 2     | 115/230 | 1     | 22.8/11.4      | 45/25                  | 10/14 (5.5/2)                                  | 6/12 (14/3)     | 6/12 (14/3)     | 4/10 (21/5.5)    |
| 2     | 230/460 | 3     | 6.8/3.4        | 15/15                  | 14/14 (2/2)                                    | 14/14 (2/2)     | 12/14 (3/2)     | 12/14 (3/2)      |
| 2-1/2 | 115/230 | 1     | 22/11          | 45/25                  | 10/14 (5.5/2)                                  | 8/12 (8.4/3)    | 6/12 (14/3)     | 4/10 (21/5.5)    |
| 2-1/2 | 230/460 | 3     | 8.5/4.25       | 15/15                  | 14/14 (2/2)                                    | 14/14 (2/2)     | 12/14 (3/2)     | 10/14 (5.5/2)    |
| 3     | 230     | 1     | 17             | 25                     | 12 (3)                                         | 12 (3)          | 10 (5.5)        | 8 (8.4)          |
| 3     | 230/460 | 3     | 9.6/4.8        | 15/15                  | 14/14 (2/2)                                    | 14/14 (2/2)     | 12/14 (3/2)     | 12/14 (3/2)      |
| 3     | 200     | 3     | 11             | 15                     | 14 (2)                                         | 14 (2)          | 12 (3)          | 10 (5.5)         |
| 5     | 230     | 1     | 28             | 40                     | 8 (8.4)                                        | 8 (8.4)         | 8 (8.4)         | 6 (14)           |
| 5     | 200     | 1     | 32.2           | 50                     | 8 (8.4)                                        | 8 (8.4)         | 8 (8.4)         | 6 (14)           |
| 5     | 230/460 | 3     | 15.2/7.6       | 20/15                  | 12/14 (3/2)                                    | 12/14 (3/2)     | 10/14 (5.5/2)   | 10/14 (5.5/2)    |
| 5     | 200     | 3     | 17.5           | 25                     | 10 (5.5)                                       | 10 (5.5)        | 10 (5.5)        | 8 (8.4)          |

## QP SERIES - WIRING CHART RECOMMENDED WIRE AND FUSE SIZES

| HP    | VOLTAGE | PHASE | MAX. LOAD AMPS | BRANCH FUSE RATING AMP | DISTANCE IN FEET (METERS) FROM MOTOR TO SUPPLY |                 |                 |                  |
|-------|---------|-------|----------------|------------------------|------------------------------------------------|-----------------|-----------------|------------------|
|       |         |       |                |                        | 0-100 (0-30)                                   | 101-200 (31-61) | 201-300 (62-91) | 301-400 (92-122) |
|       |         |       |                |                        | AWG WIRE SIZE - 115V/230V (MM <sup>2</sup> )   |                 |                 |                  |
| 3/4   | 115/230 | 1     | 14.8/7.4       | 20/15                  | 12/14 (3/2)                                    | 8/14 (8.4/2)    | 6/14 (14/2)     | 6/12 (14/3)      |
| 1     | 115/230 | 1     | 18.6/9.3       | 30/20                  | 10/14 (5.5/2)                                  | 8/14 (8.4/2)    | 6/12 (14/3)     | 4/10 (21/5.5)    |
| 1-1/2 | 115/230 | 1     | 22.0/11.0      | 45/25                  | 10/14 (5.5/2)                                  | 8/12 (8.4/3)    | 6/12 (14/3)     | 4/10 (21/5.5)    |
| 2     | 115/230 | 1     | 22.6/11.3      | 45/25                  | 10/14 (5.5/2)                                  | 6/12 (14/3)     | 6/12 (14/3)     | 4/10 (21/5.5)    |
| 2     | 230/460 | 3     | 8.6/4.3        | 20/10                  | 14/14 (2/2)                                    | 14/14 (2/2)     | 12/14 (3/2)     | 12/14 (3/2)      |
| 3     | 208-230 | 1     | 15.0-13.3      | 35                     | 12 (3)                                         | 12 (3)          | 10 (5.5)        | 8 (8.4)          |
| 5     | 230     | 1     | 25.4           | 60                     | 8 (8.4)                                        | 8 (8.4)         | 8 (8.4)         | 8 (8.4)          |
| 5     | 230/460 | 3     | 11.8/5.9       | 15                     | 14/14 (2/2)                                    | 14/14 (2/2)     | 12/14 (3/2)     | 10/14 (5.5/2)    |

# OPERATIONS

## PRIMING THE PUMP

Priming refers to the pump expelling all air in the system and beginning to move water from its source out into the system. It does not refer only to pouring water into the pump (although pouring water in is usually the first step).

1. Make sure suction and discharge valves and any hoses on discharge side of pump are open.
2. Remove priming plug. Fill pump and suction pipe with water (Figure 9). NEVER run pump dry. Running pump without water in it will damage seals and can melt impeller and diffuser. Be sure discharge (valve, pistol grip hose nozzle, etc.) is open whenever pump is running.
  - ◆ If a priming tee and plug have been provided for a long horizontal run, be sure to fill suction pipe through this tee and replace plug. Remember to tape the plug.
  - ◆ Replacing the existing priming plug with one that has a pressure gauge and reducer bushing mounted in it will make troubleshooting pump performance easier.

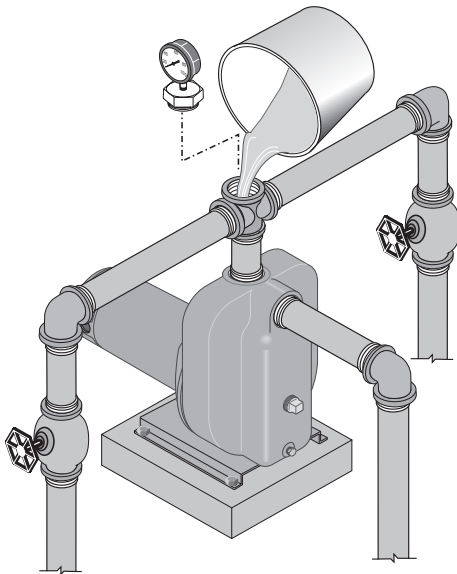
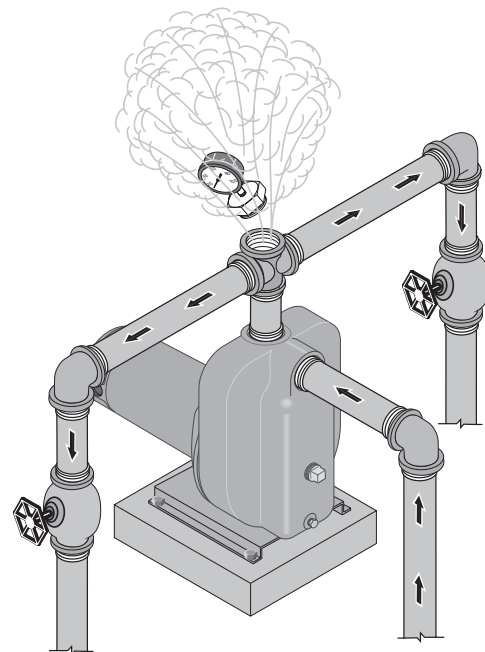


FIGURE 9 – REMOVE PRIMING PLUG AND FILL PUMP BEFORE STARTING

3. Start pump. Water should be produced in 10 minutes or less. The time depends on the well's depth to water and the length of horizontal run. If no water is produced within 10 mins., stop pump, release all pressure, remove priming plug, refill, and try again.

**⚠ WARNING HAZARDOUS PRESSURE AND RISK OF EXPLOSION AND SCALDING.** If pump is run continuously at no flow (that is, with discharge shut off or without priming), water may boil in pump and piping system. Under steam pressure, pipes may rupture, blow off of fittings or blow out of pump ports and scald anyone near.



3026 0997

FIGURE 10 – DO NOT RUN PUMP WITH DISCHARGE SHUT-OFF



# MAINTENANCE

The pump and piping do not need to be disconnected to repair or replace the motor or seal.

If motor is replaced, a new shaft seal must be installed. Keep an extra shaft seal on hand for future needs.

Check motor label for lubrication instructions. The mechanical shaft seal in the pump is water lubricated and self-adjusting.

## PUMP DISASSEMBLY

Drain pump when disconnecting from service or when it might freeze.

1. Disconnect power to motor.
2. Mark wires for correct assembly.
3. Release all water pressure from system.
4. Remove drain plug and drain pump.
5. Remove cap screws holding seal plate to pump body. Motor assembly and seal plate can now be pulled away from pump body (Figure 11).
6. CAREFULLY remove gasket.

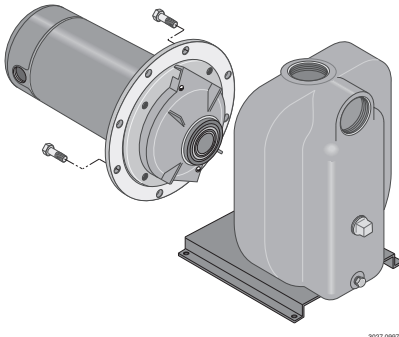


FIGURE 11 – SLIDE MOTOR BACK

## CLEANING/REPLACING IMPELLER

1. Follow instructions under “Pump Disassembly”.
2. Remove screws fastening the diffuser to the seal plate.

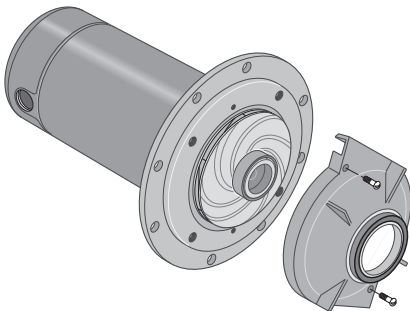


FIGURE 12 – REMOVE DIFFUSER

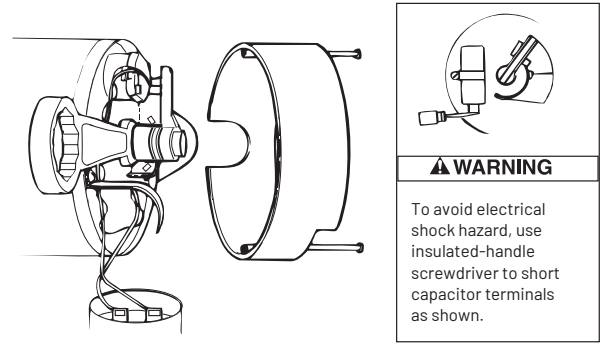


FIGURE 13 – HOLD SHAFT

3. Remove diffuser (Figure 12). The exposed impeller can now be cleaned.
4. If impeller must be replaced, loosen two machine screws and remove motor canopy (Figure 13).
5. **WARNING CAPACITOR VOLTAGE MAY BE HAZARDOUS.** To discharge capacitor, hold insulated handle screwdriver **BY THE HANDLE** and short capacitor terminals together (Figure 13). Do not touch metal screwdriver blade or capacitor terminals. If in doubt, consult a qualified electrician.
6. Unscrew capacitor clamp and remove capacitor. Do not disconnect capacitor wires to motor.
7. Slide a 7/16" open-end wrench behind the spring-loaded switch on the motor end of the shaft. Hold motor shaft with wrench on shaft flats and unscrew impeller screw (if used) by turning clockwise (left hand thread) when looking into eye of impeller.
8. Unscrew impeller while holding shaft by turning counterclockwise while looking into eye of impeller.
9. To reinstall, reverse steps 1 through 6 and follow directions in the “Pump Reassembly” section below.

## REMOVING OLD SEAL

1. Follow instructions under “Pump Disassembly”.
2. Follow steps 2 through 5 under “Cleaning/Replacing Impeller”

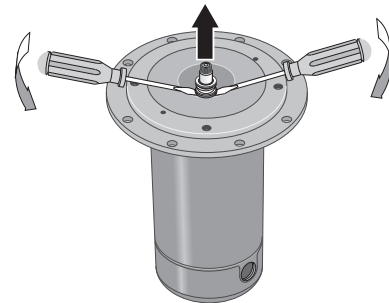


FIGURE 14 – REMOVE SEAL PLATE

## MAINTENANCE

3. Remove rotating half of seal by placing two screwdrivers under seal ring and carefully prying up (Figure 14).
4. Remove nuts from studs holding seal plate to motor. Carefully slide seal plate off of shaft.  
Be sure you do not scratch or mar shaft. If shaft is marred, it must be dressed smooth with fine emery or crocus cloth before installing new seal. DO NOT reduce shaft diameter!
5. Place seal plate half face down on flat surface and tap out stationary half of seal (Figure 15).

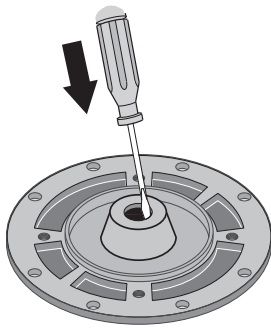


FIGURE 15 - TAP OUT SEAL

### INSTALLING NEW SEAL

Gaskets and o-rings are not interchangeable per models. Make sure to install the type of gasket or o-ring you removed.

1. Clean seal cavity in seal plate.
2. Sparingly wet outer edge of rubber cup on ceramic seat with liquid soap.
3. Put clean cardboard washer on seal face. The ceramic seal's polished face should be facing up. Firmly and squarely, press ceramic seal into cavity using only hand pressure.
4. If seal will not seat correctly:
  - ◆ Remove seal, placing polished side up on bench. Re-clean cavity and install as outlined in previous step.
  - ◆ If seal still does not seat properly after re-cleaning the cavity, place a cardboard washer over polished seal face and carefully press into place using a piece of standard 3/4 inch pipe as a press being careful not to scratch seal face."
5. Dispose of cardboard washer and recheck seal face to be sure it is free of dirt, foreign particles, scratches and grease.
6. Inspect shaft to be sure it is free of nicks and scratches.
7. Reassemble pump body half to motor flange. **BE SURE** it is right side up.
8. Apply liquid soap sparingly (one drop is sufficient) to inside diameter of rotating seal member.

9. Slide rotating seal member (carbon face first) onto shaft until rubber drive ring hits shaft shoulder.  
Be sure not to nick or scratch carbon face of seal when passing it over threaded shaft end or shaft shoulder. The carbon surface must remain clean or short seal life will result.
10. Hold motor shaft with 7/16" open end wrench on shaft flats and screw impeller onto shaft. Be sure you do not touch capacitor terminals with body or any metal object. Tightening impeller will automatically locate seal in correct position.

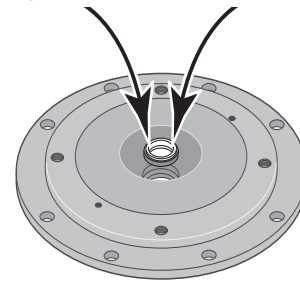


FIGURE 16 - PRESS IN NEW SEAL

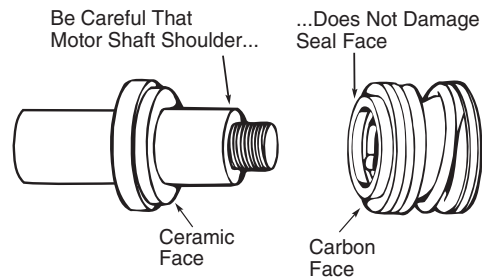


FIGURE 17 - PROTECT SEAL FACES

11. Replace impeller screw (if used) by turning counterclockwise (left-hand thread) into end of shaft.
12. Remount diffuser on seal plate with two screws.
13. Follow instructions under "Pump Reassembly".

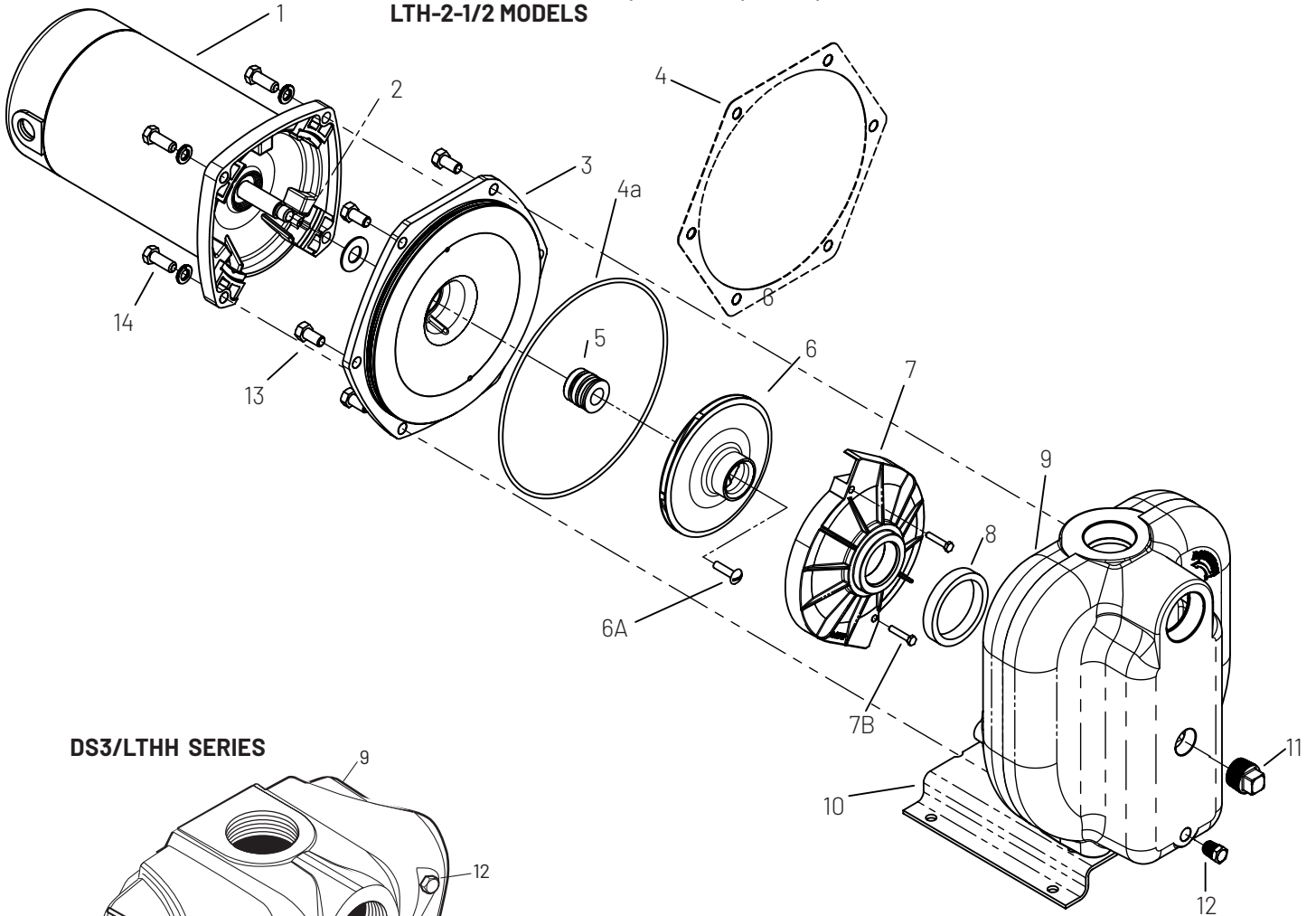
### PUMP REASSEMBLY

1. Install new gasket or O-ring. Note to replace with using the same as the pump was originally manufactured with.
2. Slide motor/seal plate assembly into pump body. Secure with cap screws.
3. Replace base mounting bolts.
4. Replace motor wiring; close drain cock.
5. Prime pump according to instructions. See "Operation."
6. Check for leaks.

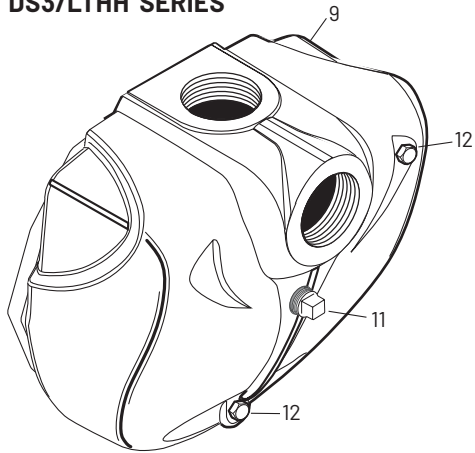
**PAGE INTENTIONALLY LEFT BLANK**

# REPAIR PARTS

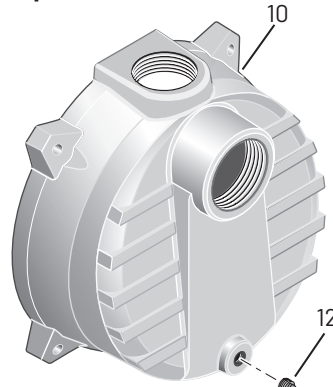
## DS2 SERIES AND LTH-1, LTH-1-1/2, LTH-2, LTH-2-1/2 MODELS



## DS3/LTHH SERIES



## QP SERIES



# REPAIR PARTS

## BERKELEY MODELS

| KEY NO. | DESCRIPTION                            | QTY | S40058/<br>S40061 | S40063/<br>S40065 | S40067/<br>S40069 | S40071            | 10LTHH/<br>10LTHH3 | 15LTHH/<br>15LTHH3 | 20LTHH/<br>20LTHH3 | 25LTHH/<br>25LTHH3 |
|---------|----------------------------------------|-----|-------------------|-------------------|-------------------|-------------------|--------------------|--------------------|--------------------|--------------------|
|         |                                        |     | 1 HP              | 1-1/2 HP          | 2 HP              | 2-1/2 HP          | 1 HP               | 1-1/2 HP           | 2 HP               | 2-1/2 HP           |
| 1       | Motor - 115/230V, 1ph                  | 1   | J218-1653         | J218-1655         | J218-1656         | J218-1657         | J218-1653          | J218-1655          | J218-1656          | J218-1657          |
| 1       | Motor - 230/460V, 3ph                  | 1   | AP100EL           | AP100FL           | AP100GL           | AP100G5L          | AP100EL            | AP100FL            | AP100GL            | AP100G5L           |
| 2       | Water Slinger                          | 1   | 17351-0009        | 17351-0009        | 17351-0009        | 17351-0009        | 17351-0009         | 17351-0009         | 17351-0009         | 17351-0009         |
| 3       | Seal Plate                             | 1   | C3-155-SR         | C3-155-SR         | C3-117            | C3-117            | C3-155-SR          | C3-155-SR          | C3-117             | C3-117             |
| 4       | Seal Plate Gasket                      | 1   | C20-86N           | C20-86N           | C20-87N           | C20-87N           | C20-86N            | C20-86N            | C20-87N            | C20-87N            |
| 4A      | Seal Plate O-Ring                      | 1   | 25276             | 25276             | 34516             | 34516             | 25276              | 25276              | 34516              | 34516              |
| 5       | Shaft Seal                             | 1   | U109-6B           | U109-6B           | U109-6B           | U109-6B           | U109-6B            | U109-6B            | U109-6B            | U109-6B            |
| 6       | Impeller - 1ph                         | 1   | C105-92PKB        | C105-92PCB        | C105-214PDA       | C105-214PA        | C105-92PKB         | C105-92PC          | C105-214PDA        | C105-214PA         |
| 6       | Impeller - 3ph                         | 1   | C105-92PKBA       | C105-92PCBA       | C105-214PDA       | C105-214PA        | C105-92PKBA        | C105-92PCA         | C105-214PDA        | C105-214PA         |
| 6A      | Impeller Screw - 1ph                   | 1   | -                 | -                 | C30-14SS          | C30-14SS          | -                  | -                  | C30-14SS           | C30-14SS           |
| 6A      | Impeller Screw - 3ph                   | 1   | C30-14SS          | C30-14SS          | C30-14SS          | C30-14SS          | C30-14SS           | C30-14SS           | C30-14SS           | C30-14SS           |
| 7       | Diffuser                               | 1   | C101-276P         | C101-276P         | C101-182          | C101-182          | C101-276P          | C101-276P          | C101-182           | C101-182           |
| 7A      | Diffuser Screws - 1/4 - 20 x 1" Lg.    | 2   | U30-696SS         | U30-696SS         | -                 | -                 | U30-696SS          | U30-696SS          | -                  | -                  |
| 7A      | Diffuser Screws - 8 - 32 x 7/8" Lg.    | 2   | -                 | -                 | U30-53SS          | U30-53SS          | -                  | -                  | U30-53SS           | U30-53SS           |
| 8       | Diffuser Ring                          | 1   | C21-10            | C21-10            | C21-2             | C21-2             | C21-10             | C21-10             | C21-2              | C21-2              |
| 9       | Pump Body                              | 1   | C76-49B           | C76-49B           | C76-50            | C76-50            | C76-67E            | C76-67E            | C76-68E            | C76-68E            |
| 10      | Base                                   | 1   | U4-5              | U4-5              | U4-5              | U4-5              | C4-82              | C4-82              | C4-82              | C4-82              |
| 11      | Pipe Plug - 3/4" Sq. Hd.               | 1   | U78-60ZPS         | U78-60ZPS         | U78-60ZPS         | U78-60ZPS         | U78-60ZPS          | U78-60ZPS          | U78-60ZPS          | U78-60ZPS          |
| 12      | Pipe Plug - 1/4" Hex Hd.               | 2   | U78-941ZPV<br>(1) | U78-941ZPV<br>(1) | U78-941ZPV<br>(1) | U78-941ZPV<br>(1) | U78-941ZPV         | U78-941ZPV         | U78-941ZPV         | U78-941ZPV         |
| 13      | Hex Cap screw - 3/8" - 16 x 3/4" Lg.   | 8   | U30-72ZP          | U30-72ZP          | -                 | -                 | U30-72ZP           | U30-72ZP           | -                  | -                  |
| 13      | Hex Cap screw - 5/16" - 18 x 3/4" Lg.  | 8   | -                 | -                 | U30-60ZP          | U30-60ZP          | -                  | -                  | U30-60ZP           | U30-60ZP           |
| 14      | Hex Cap screw - 3/8" - 16 x 1-1/4" Lg. | ( ) | U30-75ZP(4)       | U30-75ZP(4)       | -                 | -                 | -                  | -                  | -                  | -                  |
| 14      | Hex Cap screw - 3/8" - 16 x 1" Lg.     | ( ) | -                 | U30-74ZP(4)       | U30-74ZP(4)       | U30-74ZP**<br>(4) | U30-74ZP<br>(2)    | U30-74ZP(2)        | U30-74ZP(4)        | U30-74ZP**<br>(4)  |
| *       | Lock washer - 3/8"                     | ( ) | U43-12ZP(8)       | U43-12ZP(8)       | U43-12ZP(8)       | U43-12ZP(8)       | U43-12ZP<br>(2)    | U43-12ZP(2)        | U43-12ZP(2)        | U43-12ZP(2)        |

\* Not pictured

\*\* 25LTHH3 uses U30-99S

# REPAIR PARTS

## MYERS MODELS

| KEY NO. | DESCRIPTION                             | QTY | QP7             | QP10-01/<br>QP10B-01 | QP15-01/<br>QP15B-01 | QP20/ QP20-3    | QP30       | QP50B/<br>QP50B-3 |
|---------|-----------------------------------------|-----|-----------------|----------------------|----------------------|-----------------|------------|-------------------|
|         |                                         |     | 3/4 HP          | 1 HP                 | 1-1/2 HP             | 2 HP            | 3 HP       | 5 HP              |
| 1       | Motor - 115/230V, 1ph                   | 1   | 20934A000-BK-KT | 20935A000-BK-01-KT   | 20589A000-BK-01-KT   | 20591A000-BK-KT | -          | -                 |
| 1       | Motor - 230V, 1ph                       | 1   | -               | -                    | -                    | -               | 20592A000K | 26579A000         |
| 1       | Motor - 230/460V, 3ph                   | 1   | -               | -                    | -                    | 20596A000K      | -          | C218-182BD-01     |
| 2       | Water Slinger                           | 1   | 17351-0009      | 17351-0009           | 17351-0009           | 17351-0009      | 17351-0009 | S12260            |
| 3       | Bracket                                 | 1   | 20598D100W      | 20598D100W           | 20598D100W           | 20598D100W      | 20598D100W | 26545E000         |
| 4       | Bracket Gasket                          | 1   | 05014A167       | 05014A167            | 05014A167            | 05014A167       | 05014A167  | -                 |
| 4A      | Bracket O-Ring                          | 1   | -               | -                    | -                    | -               | -          | 05876A138         |
| 5       | Shaft Seal                              | 1   | 14525A000K      | 14525A000K           | 14525A000K           | 14525A000K      | 14525A000K | 21181A016K        |
| 6       | Impeller - Composite                    | 1   | -               | 20600B003            | 20601B003            | -               | -          | -                 |
| 6       | Impeller - Brass                        | 1   | 20599B000K      | 20600B000K           | 20601B000K           | 20602B000K      | 20603B000K | 26546C000         |
| 6A      | Impeller Nut - Brass Impellers          | 1   | U36-33SS        | U36-33SS             | U36-33SS             | U36-33SS        | U36-33SS   | 26583A000         |
| 7       | Diffuser                                | 1   | 20559D000K      | 20559D000K           | 20560D000K           | 20560D000K      | 20561D000K | 26547D000         |
| 7A      | Diffuser Screws - 1/4 - 20 x 1-1/2" Lg. | 3   | 19099A014       | 19099A014            | 19099A014            | 19099A014       | 19099A014  | -                 |
| 7A      | Diffuser Screws - 1/2 - 20 x 1-3/4" Lg. | 3   | -               | -                    | -                    | -               | -          | 19099A022         |
| 8       | Diffuser Ring                           | 1   | 05014A166       | 05014A166            | 05014A166            | 05014A166       | 05014A166  | 05876A059         |
| 9       | Pump Body                               | 1   | 20604D100W      | 20604D100W           | 20604D100W           | 20604D100W      | 20604D100W | 26544D000         |
| 10      | Base                                    | 1   | -               | -                    | -                    | -               | -          | 26579B000         |
| 11      | Pipe Plug - 3/4" Sq. Hd.                | 1   | -               | -                    | -                    | -               | -          | -                 |
| 12      | Pipe Plug - 1/4" Hex Hd.                | 1   | U78-941ZPV      | U78-941ZPV           | U78-941ZPV           | U78-941ZPV      | U78-941ZPV | U78-941ZPV        |
| 13      | Hex Cap Screw - 7/16 - 14 x 1-1/2" Lg.  | 4   | 19102A012       | 19102A012            | 19102A012            | 19102A012       | 19102A012  | -                 |
| 13      | Hex Cap Screw - 3/8" - 16 x 1-3/4" Lg.  | 4   | -               | -                    | -                    | -               | -          | S23625            |
| 14      | Hex Cap Screw - 3/8" - 16 x 7/8" Lg.    | 4   | U30-73ZP        | U30-73ZP             | U30-73ZP             | U30-73ZP        | U30-73ZP   | -                 |
| 14      | Hex Cap Screw - 3/8" - 16 x 1-1/4" Lg.  | 4   | -               | -                    | -                    | -               | -          | U30-74ZP          |
| *       | Lockwasher - 3/8"                       | 4   | -               | -                    | -                    | -               | -          | U43-12ZP**        |

\* Not pictured

\*\* QP50B-3 uses quantity 8

# REPAIR PARTS

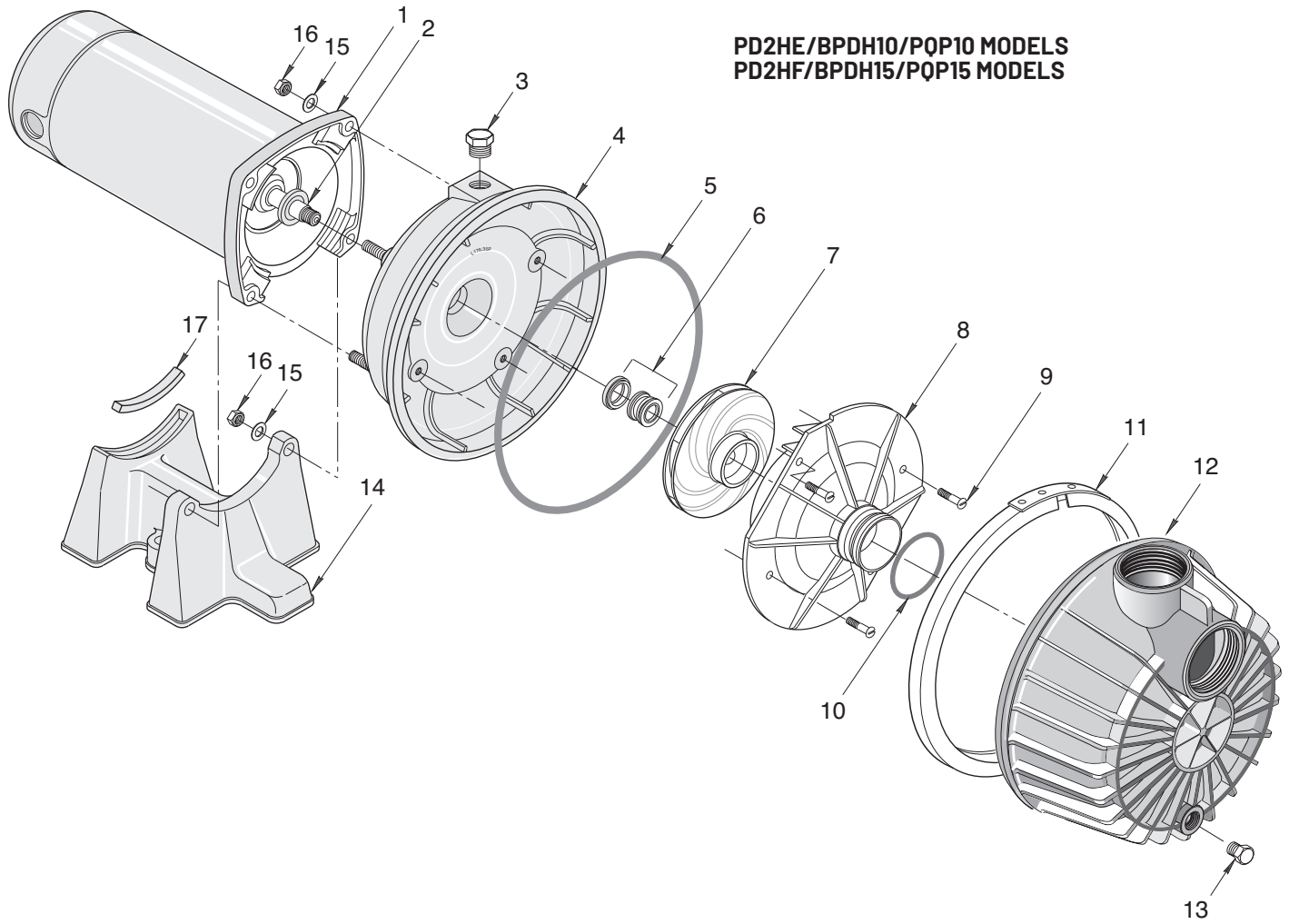
## STA-RITE MODELS

| KEY NO. | DESCRIPTION                           | QTY | DS2HE-191PL/<br>DS2HE3-191P | DS2HF-192PL/<br>DS2HF3-192P | DS2HG-102L/<br>DS2HG3-102 | DS2HHG-53L/<br>DS2HHG3-53 | DS3HE-01/<br>DS3HE3-01 | DS3HF-01/<br>DS3HF3-01 | DS3HG-01/<br>DS3HG3-01 | DS3HHG-01/<br>DS3HHG3-01 |
|---------|---------------------------------------|-----|-----------------------------|-----------------------------|---------------------------|---------------------------|------------------------|------------------------|------------------------|--------------------------|
|         |                                       |     | 1 HP                        | 1-1/2 HP                    | 2 HP                      | 2-1/2 HP                  | 1 HP                   | 1-1/2 HP               | 2 HP                   | 2-1/2 HP                 |
| 1       | Motor - 115/230V, 1ph                 | 1   | J218-1653                   | J218-1655                   | J218-1656                 | J218-1657                 | J218-1653              | J218-1655              | J218-1656              | J218-1657                |
| 1       | Motor - 230/460V, 3ph                 | 1   | AP100EL                     | AP100FL                     | AP100GL                   | AP100G5L                  | AP100EL                | AP100FL                | AP100GL                | AP100G5L                 |
| 2       | Water Slinger                         | 1   | 17351-0009                  | 17351-0009                  | 17351-0009                | 17351-0009                | 17351-0009             | 17351-0009             | 17351-0009             | 17351-0009               |
| 3       | Seal Plate                            | 1   | C3-155-SR                   | C3-155-SR                   | C3-117                    | C3-117                    | C3-155-SR              | C3-155-SR              | C3-117                 | C3-117                   |
| 4       | Seal Plate Gasket                     | 1   | C20-86N                     | C20-86N                     | C20-87N                   | C20-87N                   | C20-86N                | C20-86N                | C20-87N                | C20-87N                  |
| 4A      | Seal Plate O-Ring                     | 1   | 25276                       | 25276                       | 34516                     | 34516                     | 25276                  | 25276                  | 34516                  | 34516                    |
| 5       | Shaft Seal                            | 1   | U109-6B                     | U109-6B                     | U109-6B                   | U109-6B                   | U109-6B                | U109-6B                | U109-6B                | U109-6B                  |
| 6       | Impeller - 1ph                        | 1   | C105-92PKB                  | C105-92PCB                  | C105-214PDA               | C105-214PA                | C105-92PKB             | C105-92PC              | C105-214PDA            | C105-214PA               |
| 6       | Impeller - 3ph                        | 1   | C105-92PKBA                 | C105-92PCBA                 | C105-214PDA               | C105-214PA                | C105-92PKBA            | C105-92PCA             | C105-214PDA            | C105-214PA               |
| 6A      | Impeller Screw - 1ph                  | 1   | -                           | -                           | C30-14SS                  | C30-14SS                  | -                      | -                      | C30-14SS               | C30-14SS                 |
| 6A      | Impeller Screw - 3ph                  | 1   | C30-14SS                    | C30-14SS                    | C30-14SS                  | C30-14SS                  | C30-14SS               | C30-14SS               | C30-14SS               | C30-14SS                 |
| 7       | Diffuser                              | 1   | C101-276P                   | C101-276P                   | C101-182                  | C101-182                  | C101-276P              | C101-276P              | C101-182               | C101-182                 |
| 7A      | Diffuser Screws - 1/4 - 20 x 1" Lg.   | 2   | U30-696SS                   | U30-696SS                   | -                         | -                         | U30-696SS              | U30-696SS              | -                      | -                        |
| 7A      | Diffuser Screws - 8 - 32 x 7/8" Lg.   | 2   | -                           | -                           | U30-53SS                  | U30-53SS                  | -                      | -                      | U30-53SS               | U30-53SS                 |
| 8       | Diffuser Ring                         | 1   | C21-10                      | C21-10                      | C21-2                     | C21-2                     | C21-10                 | C21-10                 | C21-2                  | C21-2                    |
| 9       | Pump Body                             | 1   | C76-49B                     | C76-49B                     | C76-50                    | C76-50                    | C76-67E                | C76-67E                | C76-68E                | C76-68E                  |
| 10      | Base                                  | 1   | U4-5                        | U4-5                        | U4-5                      | U4-5                      | C4-82                  | C4-82                  | C4-82                  | C4-82                    |
| 11      | Pipe Plug - 3/4" Sq. Hd.              | 1   | U78-60ZPS                   | U78-60ZPS                   | U78-60ZPS                 | U78-60ZPS                 | U78-60ZPS              | U78-60ZPS              | U78-60ZPS              | U78-60ZPS                |
| 12      | Pipe Plug - 1/4" Hex Hd.              | ( ) | U78-941ZPV<br>(1)           | U78-941ZPV<br>(1)           | U78-941ZPV<br>(1)         | U78-941ZPV<br>(1)         | U78-941ZPV<br>(2)      | U78-941ZPV<br>(2)      | U78-941ZPV<br>(2)      | U78-941ZPV<br>(2)        |
| 13      | Hex Cap screw - 3/8" - 16 x 3/4" Lg.  | 6   | U30-72ZP                    | U30-72ZP                    | -                         | -                         | U30-72ZP               | U30-72ZP               | -                      | -                        |
| 13      | Hex Cap Screw - 5/16" - 18 x 3/4" Lg. | 8   | -                           | -                           | U30-60ZP                  | U30-60ZP                  | -                      | -                      | U30-60ZP               | U30-60ZP                 |
| 14      | Hex Cap Screw - 3/8" - 16 x 1" Lg.    | ( ) | U30-74ZP (4)                | U30-74ZP (4)                | U30-74ZP (4)              | U30-74ZP**<br>(4)         | U30-74ZP<br>(2)        | U30-74ZP (2)           | U30-74ZP (4)           | U30-74ZP**<br>(4)        |
| *       | Lock washer - 3/8"                    | ( ) | U43-12ZP (8)                | U43-12ZP (8)                | U43-12ZP (8)              | U43-12ZP (8)              | U43-12ZP<br>(2)        | U43-12ZP (2)           | U43-12ZP (2)           | U43-12ZP (2)             |

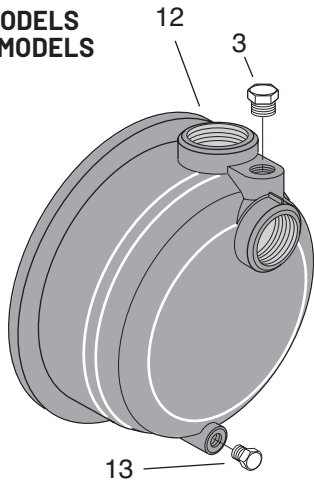
\* Not pictured

\*\* DS2HHG3-53L and DS3HHG3-01 uses U30-99S

# REPAIR PARTS



**PDHG/BPDH20/PQP20 MODELS**  
**PDHGG/BPDH25/PQP25 MODELS**





# REPAIR PARTS

## BERKELEY MODELS

| KEY NO. | DESCRIPTION                                  | QTY | BPDH10-L   | BPDH15-L    | BPDH20-L    | BPDH25-L    |
|---------|----------------------------------------------|-----|------------|-------------|-------------|-------------|
|         |                                              |     | 1 HP       | 1-1/2 HP    | 2 HP        | 2-1/2 HP    |
| 1       | Motor                                        | 1   | J218-1653  | J218-1655   | J218-1656   | J218-1657   |
| 2       | Water Slinger                                | 1   | 17351-0009 | 17351-0009  | 17351-0009  | 17351-0009  |
| 3       | Priming Plug - 1/2" NPT                      | 1   | WC78-39T   | WC78-39T    | WC78-39T    | WC78-39T    |
| 4       | Seal Plate                                   | 1   | L176-47P1  | L176-47P1   | C3-189P1    | C3-189P1    |
| 5       | Seal Plate O-Ring                            | 1   | U9-399     | U9-399      | U9-228A     | U9-228A     |
| 6       | Shaft Seal                                   | 1   | U109-6B    | U109-6B     | U109-6B     | U109-6B     |
| 7       | Impeller                                     | 1   | C105-92PVB | C105-92PBBB | C105-214PFA | C105-214PGA |
| *       | Impeller Screw - 1/4" - 20 x 1-1/4" Lg.      | 1   | -          | -           | C30-51SS    | C30-51SS    |
| 8       | Diffuser                                     | 1   | C1-258PCA  | C1-258PCA   | C1-274P     | C1-274P     |
| 9       | Diffuser Screws - 1/4 - 20 x 1" Lg.          | 4   | U30-997SS  | U30-997SS   | -           | -           |
| 9       | Diffuser Screws - 8 - 32 X 7/8" Lg.          | 2   | -          | -           | U30-996SS   | U30-996SS   |
| 10      | Diffuser Ring                                | 1   | U9-226     | U9-226      | U9-393      | U9-393      |
| 11      | "V" Clamp                                    | 1   | C19-54SS   | C19-54SS    | C19-37A     | C19-37A     |
| 12      | Pump Body                                    | 1   | C176-66P   | C176-66P    | C176-62P    | C176-62P    |
| 13      | Drain Plug - 1/4" NPT                        | 1   | WC78-40T   | WC78-40T    |             |             |
| 14      | Base                                         | 1   | C4-42P     | C4-42P      | C4-42P      | C4-42P      |
| 15      | Washer                                       | 2   | U43-61ZP   | U43-61ZP    | U43-42SS    | U43-42SS    |
| 16      | Nut                                          | 4   | U36-37ZP   | U36-37ZP    | -           | -           |
| 17      | Rubber Pad                                   | 1   | C35-11     | C35-11      | C35-11      | C35-11      |
| *       | Hex Cap Screw - 3/8" - 16 x 1-3/4" Lg. (Top) | 2   | -          | -           | U30-77SS    | U30-77SS    |
| *       | Hex Cap Screw - 3/8" - 16 x 1" Lg. (Bottom)  | 2   | -          | -           | U30-74SS    | U30-74SS    |

\* Not pictured

# REPAIR PARTS

## MYERS MODELS

| KEY NO.        | DESCRIPTION                                  | QTY | PQP10      | PQP15       | PQP20       | PQP25       |
|----------------|----------------------------------------------|-----|------------|-------------|-------------|-------------|
|                |                                              |     | 1 HP       | 1-1/2 HP    | 2 HP        | 2-1/2 HP    |
| 1              | Motor                                        | 1   | J218-1653  | J218-1655   | J218-1656   | J218-1657   |
| 2              | Water Slinger                                | 1   | 17351-0009 | 17351-0009  | 17351-0009  | 17351-0009  |
| 3              | Priming Plug - 1/2" NPT                      | 1   | WC78-39T   | WC78-39T    | WC78-39T    | WC78-39T    |
| 4              | Seal Plate                                   | 1   | L176-47P1  | L176-47P1   | C3-189P1    | C3-189P1    |
| 5              | Seal Plate O-Ring                            | 1   | U9-399     | U9-399      | U9-228A     | U9-228A     |
| 6              | Shaft Seal                                   | 1   | U109-6B    | U109-6B     | U109-6B     | U109-6B     |
| 7              | Impeller                                     | 1   | C105-92PVB | C105-92PBBB | C105-214PFA | C105-214PGA |
| *              | Impeller Screw - 1/4" - 20 x 1-1/4" Lg.      | 1   | -          | -           | C30-51SS    | C30-51SS    |
| 8              | Diffuser                                     | 1   | C1-258PCA  | C1-258PCA   | C1-274P     | C1-274P     |
| 9              | Diffuser Screws - 1/4 - 20 x 1" Lg.          | 4   | U30-997SS  | U30-997SS   | -           | -           |
| 9              | Diffuser Screws - 8 - 32 X 7/8" Lg.          | 2   | -          | -           | U30-996SS   | U30-997SS   |
| 10             | Diffuser Ring                                | 1   | U9-226     | U9-226      | U9-393      | U9-393      |
| 11             | "V" Clamp                                    | 1   | C19-54SS   | C19-54SS    | C19-37A     | C19-37A     |
| 12             | Pump Body                                    | 1   | C176-53P   | C176-53P    | C176-62P    | C176-62P    |
| 13             | Drain Plug - 1/4" NPT                        | 1   | WC78-40T   | WC78-40T    |             |             |
| 14             | Base                                         | 1   | C4-42P     | C4-42P      | C4-42P      | C4-42P      |
| 15             | Washer                                       | 2   | U43-61ZP   | U43-61ZP    | U43-42SS    | U43-42SS    |
| 16             | Nut                                          | 4   | U36-37ZP   | U36-37ZP    | -           | -           |
| 17             | Rubber Pad                                   | 1   | C35-11     | C35-11      | C35-11      | C35-15      |
| *              | Hex Cap Screw - 3/8" - 16 x 1-3/4" Lg. (Top) | 2   | -          | -           | U30-77SS    | U30-77SS    |
| * Not pictured | Hex Cap Screw - 3/8" - 16 x 1" Lg. (Bottom)  | 2   | -          | -           | U30-74SS    | U30-74SS    |

# REPAIR PARTS

## STA-RITE MODELS

| KEY NO. | DESCRIPTION                                  | QTY | PD2HE-L    | PD2HF-L     | PDHG-L      | PDHHG-L     |
|---------|----------------------------------------------|-----|------------|-------------|-------------|-------------|
|         |                                              |     | 1 HP       | 1-1/2 HP    | 2 HP        | 2-1/2 HP    |
| 1       | Motor                                        | 1   | J218-1653  | J218-1655   | J218-1656   | J218-1657   |
| 2       | Water Slinger                                | 1   | 17351-0009 | 17351-0009  | 17351-0009  | 17351-0009  |
| 3       | Priming Plug - 1/2" NPT                      | 1   | WC78-39T   | WC78-39T    | WC78-39T    | WC78-39T    |
| 4       | Seal Plate                                   | 1   | L176-47P1  | L176-47P1   | C3-189P1    | C3-189P1    |
| 5       | Seal Plate O-Ring                            | 1   | U9-399     | U9-399      | U9-228A     | U9-228A     |
| 6       | Shaft Seal                                   | 1   | U109-6B    | U109-6B     | U109-6B     | U109-6B     |
| 7       | Impeller                                     | 1   | C105-92PVB | C105-92PBBB | C105-214PFA | C105-214PGA |
| *       | Impeller Screw - 1/4" - 20 x 1-1/4" Lg.      | 1   | -          | -           | C30-51SS    | C30-51SS    |
| 8       | Diffuser                                     | 1   | C1-258PCA  | C1-258PCA   | C1-274P     | C1-274P     |
| 9       | Diffuser Screws - 1/4 - 20 x 1" Lg.          | 4   | U30-997SS  | U30-997SS   | -           | -           |
| 9       | Diffuser Screws - 8 - 32 X 7/8" Lg.          | 2   | -          | -           | U30-996SS   | U30-996SS   |
| 10      | Diffuser Ring                                | 1   | U9-226     | U9-226      | U9-393      | U9-393      |
| 11      | "V" Clamp                                    | 1   | C19-54SS   | C19-54SS    | C19-37A     | C19-37A     |
| 12      | Pump Body                                    | 1   | C176-66P   | C176-66P    | C176-62P    | C176-62P    |
| 13      | Drain Plug - 1/4" NPT                        | 1   | WC78-40T   | WC78-40T    |             |             |
| 14      | Base                                         | 1   | C4-42P     | C4-42P      | C4-42P      | C4-42P      |
| 15      | Washer                                       | 2   | U43-61ZP   | U43-61ZP    | U43-42SS    | U43-42SS    |
| 16      | Nut                                          | 4   | U36-37ZP   | U36-37ZP    | -           | -           |
| 17      | Rubber Pad                                   | 1   | C35-11     | C35-11      | C35-11      | C35-11      |
| *       | Hex Cap Screw - 3/8" - 16 x 1-3/4" Lg. (Top) | 2   | -          | -           | U30-77SS    | U30-77SS    |
| *       | Hex Cap Screw - 3/8" - 16 x 1" Lg. (Bottom)  | 2   | -          | -           | U30-74SS    | U30-74SS    |

\* Not pictured



# REPAIR PARTS

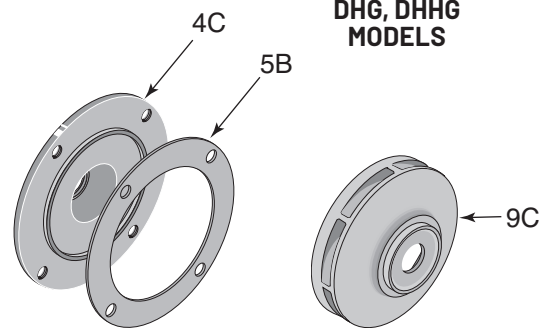
## MYERS MODELS

| KEY NO. | DESCRIPTION                     | QTY | MDPC          |
|---------|---------------------------------|-----|---------------|
|         |                                 |     | 1/2 HP        |
| 1       | Motor                           | 1   | J218-1651-115 |
| 2       | Hex Cap Screw - 3/8 - 16x1-1/2" | 4   | U30-76ZP      |
| 3       | Water Slinger                   | 1   | 17351-0009    |
| 4       | Seal Plate Diffuser             | 1   | C3-120        |
| 5       | Roll Pin 3/32 x 5/16"           | 2   | U30-522SS     |
| 6       | Seal Plate Gasket               | 1   | N20-35N       |
| 7       | Shaft Seal                      | 1   | U109-6B       |
| 8       | Impeller                        | 1   | C5-184P       |
| 9       | Diffuser Cover                  | 1   | C6-47P        |
| 10      | Diffuser Ring                   | 1   | C21-11        |
| 11      | Pump Body                       | 1   | C76-41        |
| 12      | Pipe Plug - 1/2" Square Head    | 1   | U78-59ZPS     |
| 13      | Pipe Plug - 1/4" Hex Head       | 1   | U78-941ZPV    |
| 14      | Flange - 1-1/4" NPT             | 1   | PW16-4        |
| 15      | Hex Cap Screw - 3/8-16 x 1"     | 2   | U30-74ZP      |
| 16      | Check Valve Flapper             | 1   | PW22-1        |
| 17      | Washer                          | 1   | U43-41SS      |
| 18      | Hex Cap Screw - 1/4-20 x 3/4"   | 1   | 37006-4652    |
| 19      | Washer                          | 2   | U43-138ZP     |
| 20      | Hex Nut - 1/4-20                | 1   | U36-36ZP      |
| 21      | Base                            | 1   | J104-9F       |
| 22      | Rubber Pad                      | 1   | C35-5S        |
| 23      | Handle                          | 1   | C54-21        |
| 24      | Strain Relief                   | 1   | U71-7         |
| 25      | Cord                            | 1   | U17-402       |

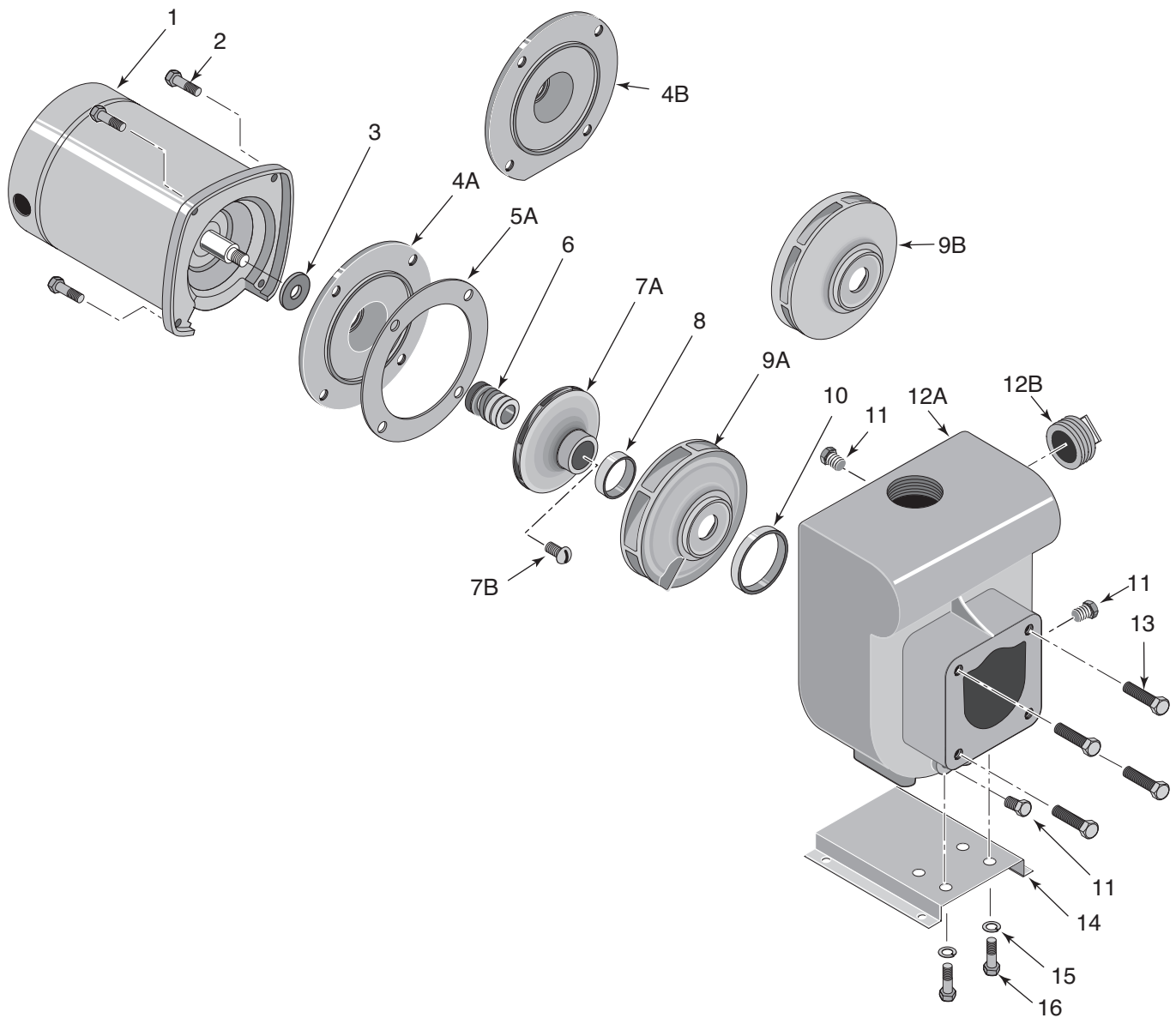
## STA-RITE MODELS

| KEY NO. | DESCRIPTION                     | QTY | DPC           |
|---------|---------------------------------|-----|---------------|
|         |                                 |     | 1/2 HP        |
| 1       | Motor                           | 1   | J218-1651-115 |
| 2       | Hex Cap Screw - 3/8 - 16x1-1/2" | 4   | U30-76ZP      |
| 3       | Water Slinger                   | 1   | 17351-0009    |
| 4       | Seal Plate Diffuser             | 1   | C3-120        |
| 5       | Roll Pin 3/32 x 5/16"           | 2   | U30-522SS     |
| 6       | Seal Plate Gasket               | 1   | N20-35N       |
| 7       | Shaft Seal                      | 1   | U109-6B       |
| 8       | Impeller                        | 1   | C5-184P       |
| 9       | Diffuser Cover                  | 1   | C6-47P        |
| 10      | Diffuser Ring                   | 1   | C21-11        |
| 11      | Pump Body                       | 1   | C76-41        |
| 12      | Pipe Plug - 1/2" Square Head    | 1   | U78-59ZPS     |
| 13      | Pipe Plug - 1/4" Hex Head       | 1   | U78-941ZPV    |
| 14      | Flange - 1-1/4" NPT             | 1   | PW16-4        |
| 15      | Hex Cap Screw - 3/8-16 x 1"     | 2   | U30-74ZP      |
| 16      | Check Valve Flapper             | 1   | PW22-1        |
| 17      | Washer                          | 1   | U43-41SS      |
| 18      | Hex Cap Screw - 1/4-20 x 3/4"   | 1   | 37006-4652    |
| 19      | Washer                          | 2   | U43-138ZP     |
| 20      | Hex Nut - 1/4-20                | 1   | U36-36ZP      |
| 21      | Base                            | 1   | J104-9F       |
| 22      | Rubber Pad                      | 1   | C35-5S        |
| 23      | Handle                          | 1   | C54-21        |
| 24      | Strain Relief                   | 1   | U71-7         |
| 25      | Cord                            | 1   | U17-402       |

## DHG, DHHG MODELS



## DHE, DHF, DMG, DMMG MODELS



# REPAIR PARTS

## STA-RITE MODELS

| KEY NO. | DESCRIPTION                        | QTY | DHE3-50 /DHE-50L | DHF-51L/ DHF3-51 | DHG-52L/ DHG3-52 | DMG-41L/ DMG3-41 | DHHG-53L/ DHHG3-53 | DMMG-42L/ DMMG3-42 |
|---------|------------------------------------|-----|------------------|------------------|------------------|------------------|--------------------|--------------------|
|         |                                    |     | 3/4 HP           | 1 HP             | 1-1/2 HP         | 2 HP             | 3 HP               | 5 HP               |
| 1       | Motor - 115/230V 1ph               | 1   | J218-1653        | J218-1655        | J218-1656        | J218-1656        | J218-1657          | J218-1657          |
| 1       | Motor - 230V 1ph                   | 1   | -                | -                | -                | -                | -                  | -                  |
| 1       | Motor - 230/460V 3ph               | 1   | AP100EL          | AP100FL          | AP100GL          | AP100GL          | AP100G5L           | AP100G5L           |
| 2       | Hex Cap Screw - 3/8" - 16 x 1-1/4" | 4   | U30-75ZP         | U30-75ZP         | -                | U30-75ZP         | -                  | U30-75ZP           |
| 2       | Hex Cap Screw - 3/8" - 16 x 1"     | 4   | -                | -                | U30-74ZP         | -                | U30-74ZP           | -                  |
| 3       | Water Slinger                      | 1   | 17351-0009       | 17351-0009       | 17351-0009       | 17351-0009       | 17351-0009         | 17351-0009         |
| 4A      | Seal Plate                         | 1   | -                | -                | -                | C3-23            | -                  | C3-23              |
| 4B      | Seal Plate                         | 1   | C3-52            | C3-52            | -                | -                | -                  | -                  |
| 4C      | Seal Plate                         | 1   | -                | -                | C3-35            | -                | C3-35              | -                  |
| 5A      | Seal Plate Gasket                  | 1   | C20-21 N         | C20-21 N         | -                | C20-21 N         | -                  | C20-21 N           |
| 5B      | Seal Plate Gasket                  | 1   | -                | -                | C20-46B          | -                | C20-46B            | -                  |
| 6       | Shaft Seal                         | 1   | U109-6B          | U109-6B          | U109-6B          | U109-6B          | U109-6B            | U109-6A            |
| 7A      | Impeller - 1ph                     | 1   | C105-92PLC       | C105-92PBj       | C105-214PCA      | C105-114PNGA     | C105-214PA         | C105-80EA          |
| 7A      | Impeller - 3ph                     | 1   | C105-92PLXA      | C105-92PBXA      | C105-214PCA      | C105-114PNGA     | C105-214PA         | C105-80EA          |
| 7B      | Impeller Screw                     | 1   | C30-14SS*        | C30-14SS*        | C30-14SS         | C30-14SS         | C30-14SS           | C30-14SS           |
| 8       | Wear Ring                          | 1   | C23-27           | C23-27           | C23-19           | C23-32D          | C23-19             | C23-32D            |
| 9A      | Diffuser (Includes Key No. 8)      | 1   | -                | -                | -                | C101-56C         | -                  | C101-72            |
| 9B      | Diffuser (Includes Key No. 8)      | 1   | C101-212B        | C101-212B        | -                | -                | -                  | -                  |
| 9C      | Diffuser (Includes Key No. 8)      | 1   | -                | -                | C101-77          | -                | C101-77            | -                  |
| 10      | Diffuser Ring                      | 1   | C21-2            | C21-2            | C21-2            | C21-2            | C21-2              | C21-2              |
| 11      | Pipe Plug - 1/4" NPT               | ( ) | U78-941ZPV (4)   | U78-941ZPV (4)   | U78-941ZPV (2)   | U78-941ZPV (4)   | U78-941ZPV (2)     | U78-941ZPV (4)     |
| 12A     | Pump Body                          | 1   | C76-1J           | C76-1J           | C76-12           | C76-1J           | C76-12             | C76-1L             |
| 12B     | Pipe Plug - 1-1/2" NPT             | 1   | U78-63GPS        | U78-63GPS        | -                | U78-63GPS        | -                  | U78-63GPS          |
| 13      | Hex Cap Screw - 5/16" - 18 x 3/4"  | 4   | U30-60ZP         | U30-60ZP         | U30-60ZP         | U30-60ZP         | U30-60ZP           | U30-60ZP           |
| 14      | Base                               | 1   | U4-5             | U4-5             | U4-5             | U4-5             | U4-5               | U4-5               |
| 15      | Lock Washer - 3/8"                 | ( ) | U43-12ZP (4)     | U43-12ZP (4)     | U43-12ZP (2)     | U43-12ZP (4)     | U43-12ZP (2)       | U43-12ZP (4)       |
| 16      | Hex Cap Screw - 3/8" - 16 x 3/4"   | ( ) | U30-72ZP (2)     | U30-72ZP (2)     | U30-72ZP (10)    | U30-72ZP (2)     | U30-72ZP (10)      | U30-72ZP (2)       |

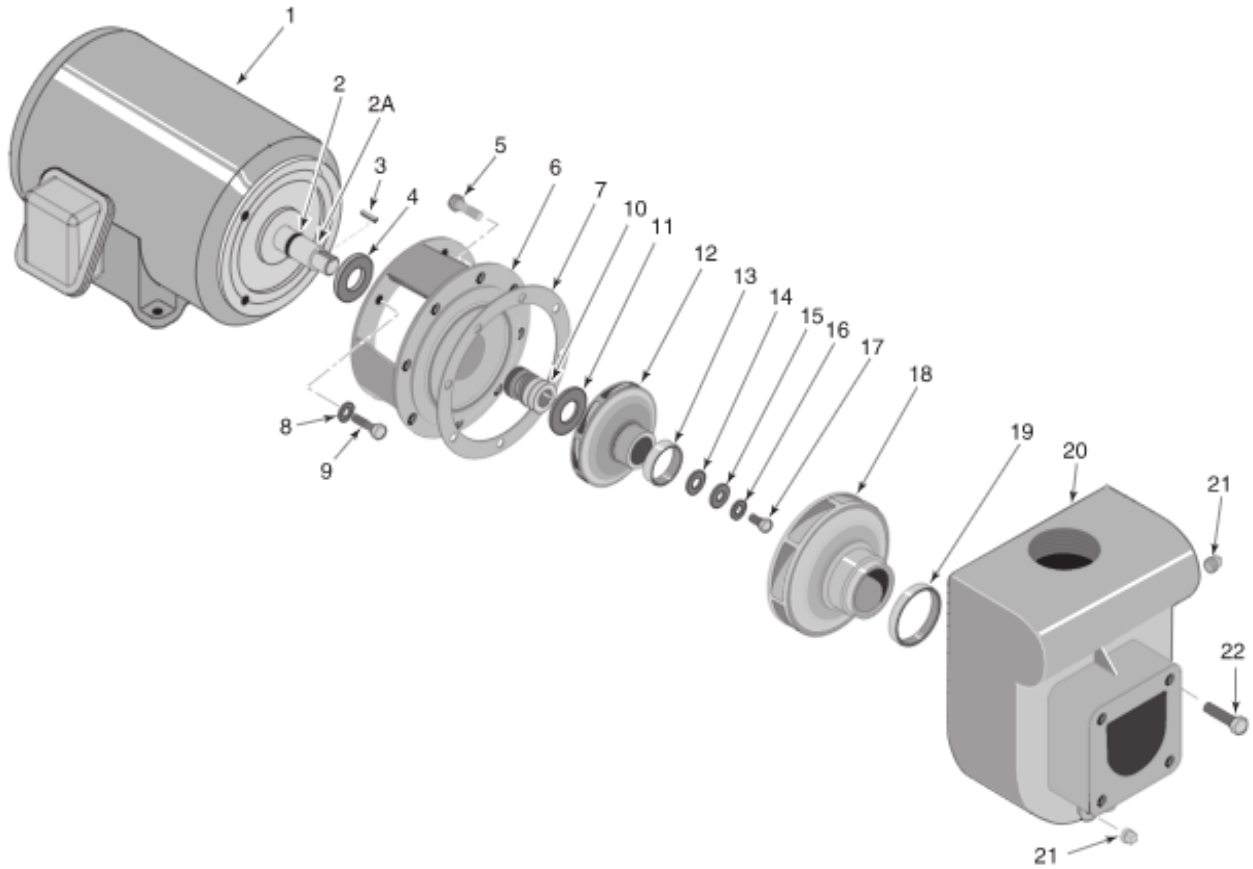
\* 3ph Only

# REPAIR PARTS

---

BERKELEY S40100, S40099, 40102, S40103, S40094, S40093, S40097, S40096 MODELS

STA-RITE DMH-171, DMH3-171, DM2H3-17, MJ-172, DMJ3-172, DM2J-172, DM2J3-172, DHH-169, DHH3-169, DH2H-112, DH2H3-112, DH2H3-169, DHJ-170, DHJ3-170, H2J-113, DH2J3-170 MODELS





# REPAIR PARTS

## BERKELEY MODELS

| KEY NO. | DESCRIPTION                            | QTY | S40100 /S40099 | S40102/S40103 | S40094/S40093 | S40097/S40096 |
|---------|----------------------------------------|-----|----------------|---------------|---------------|---------------|
|         |                                        |     | 3 HP           | 5 HP          | 3 HP          | 5 HP          |
| 1       | Motor - 230V, 60Hz, 1ph                | 1   | C218-177       | C218-180      | C218-177      | C218-180      |
| 1       | Motor - 230/460V, 60Hz, 3ph            | 1   | C218-179       | C218-182      | C218-179      | C218-182      |
| 1       | Motor - 200V, 60Hz, 1ph                | 1   | -              | C218-192      | C218-191      | C218-192      |
| 1       | Motor - 200V, 60Hz, 3ph                | 1   | C218-178       | C218-181      | C218-178      | C218-181      |
| 2       | O-Ring                                 | 1   | U9-265         | U9-265        | U9-265        | U9-265        |
| 2A      | Sleeve                                 | 1   | C23-58         | C23-58        | C23-58        | C23-58        |
| 3       | Key - Square                           | 1   | U65-42A        | U65-42A       | U65-42A       | U65-42A       |
| 4       | Water Slinger - Single Phase           | 1   | C69-15         | C69-15        | C69-15        | C69-15        |
| 4       | Water Slinger - 230/460V, Three Phase  | 1   | C69-16         | C69-15        | C69-16        | C69-15        |
| 4       | Water Slinger - 200 V, Three Phase     | 1   | C69-15         | C69-15        | C69-15        | C69-15        |
| 5       | Cap Screw - 3/8 - 16 x 7/8" Lg.        | 8   | U30-73ZP       | U30-73ZP      | U30-73ZP      | U30-73ZP      |
| 6       | Adapter                                | 1   | C2-66          | C2-66         | C2-66         | C2-66         |
| 7       | Gasket - Adapter                       | 1   | C20-46B        | C20-46        | C20-46        | C20-46        |
| 8       | Lock Washer - 3/8"                     | 6   | U43-12ZP       | U43-12ZP      | U43-12ZP      | U43-12ZP      |
| 9       | Hex Cap Screw - 3/8" - 16 x 1" Lg.     | 4   | U30-74ZP       | U30-73ZP      | U30-73ZP      | U30-73ZP      |
| 10      | Shaft Seal                             | 1   | U109-433SS     | U109-433SS    | U109-433SS    | U109-433SS    |
| 11      | Gasket - Seal                          | 1   | C20-101        | C20-101       | C20-101       | C20-101       |
| 12      | Impeller                               | 1   | C5-246         | C5-247        | C5-248        | C5-249        |
| 13      | Wear Ring                              | 1   | J23-5          | C23-14        | J23-5         | J23-5         |
| 14      | Gasket                                 | 1   | C20-100        | C20-100       | C20-100       | C20-100       |
| 15      | Washer - Impeller                      | 1   | C43-45SS       | C43-45SS      | C43-45SS      | C43-45SS      |
| 16      | Gasket                                 | 1   | C43-46         | C43-46        | C43-46        | C43-46        |
| 17      | Screw - Impeller - 3/8 - 16 x 3/4" Lg. | 1   | U30-72SS       | U30-72SS      | U30-72SS      | U30-72SS      |
| 18      | Diffuser (includes Key No. 13)         | 1   | C101-126       | C101-126B     | C101-132      | C101-132      |
| 19      | Diffuser Ring                          | 1   | C21-2          | C21-2         | C21-2         | C21-2         |
| 20      | Pump Body                              | 1   | C76-12         | C76-12C       | C76-12B       | C76-12        |
| 21      | Pipe Plug - 1/4" NPT                   | 2   | U78-941ZPV     | U78-941ZPV    | U78-941ZPV    | U78-941ZPV    |
| 22      | Cap Screw - 5/16 - 18 x 3/4" Lg.       | 4   | U30-60ZP       | U30-60ZP      | U30-60ZP      | U30-60ZP      |

# REPAIR PARTS

## STA-RITE MODELS

| KEY NO. | DESCRIPTION                            | QTY | DMH-171<br>DMH3-171<br>DM2H3-17 | DMJ-172<br>DMJ3-172<br>DM2J-172<br>DM2J3-172 | DHH-169<br>DHH3-169<br>DH2H-112<br>DH2H3-112<br>DH2H3-169 | DHJ-170<br>DHJ3-170<br>DH2J-113<br>DH2J3-170 |
|---------|----------------------------------------|-----|---------------------------------|----------------------------------------------|-----------------------------------------------------------|----------------------------------------------|
|         |                                        |     | 3 HP                            | 5 HP                                         | 3 HP                                                      | 5 HP                                         |
| 1       | Motor - 230V, 60Hz, 1ph                | 1   | C218-177                        | C218-180                                     | C218-177                                                  | C218-180                                     |
| 1       | Motor - 230/460V, 60Hz, 3ph            | 1   | C218-179                        | C218-182                                     | C218-179                                                  | C218-182                                     |
| 1       | Motor - 200V, 60Hz, 1ph                | 1   | -                               | C218-192                                     | C218-191                                                  | C218-192                                     |
| 1       | Motor - 200V, 60Hz, 3ph                | 1   | C218-178                        | C218-181                                     | C218-178                                                  | C218-181                                     |
| 2       | O-Ring                                 | 1   | U9-265                          | U9-265                                       | U9-265                                                    | U9-265                                       |
| 2A      | Sleeve                                 | 1   | C23-58                          | C23-58                                       | C23-58                                                    | C23-58                                       |
| 3       | Key - Square                           | 1   | U65-42A                         | U65-42A                                      | U65-42A                                                   | U65-42A                                      |
| 4       | Water Slinger - Single Phase           | 1   | C69-15                          | C69-15                                       | C69-15                                                    | C69-15                                       |
| 4       | Water Slinger - 230/460V, Three Phase  | 1   | C69-16                          | C69-15                                       | C69-16                                                    | C69-15                                       |
| 4       | Water Slinger - 200 V, Three Phase     | 1   | C69-15                          | C69-15                                       | C69-15                                                    | C69-15                                       |
| 5       | Cap Screw - 3/8 - 16 x 7/8" Lg.        | 8   | U30-73ZP                        | U30-73ZP                                     | U30-73ZP                                                  | U30-73ZP                                     |
| 6       | Adapter                                | 1   | C2-66                           | C2-66                                        | C2-66                                                     | C2-66                                        |
| 7       | Gasket - Adapter                       | 1   | C20-46B                         | C20-46                                       | C20-46                                                    | C20-46                                       |
| 8       | Lock Washer - 3/8"                     | 6   | U43-12ZP*                       | U43-12ZP*                                    | U43-12ZP                                                  | U43-12ZP                                     |
| 9       | Hex Cap Screw - 3/8" - 16 x 1" Lg.     | 4   | U30-74ZP                        | U30-73ZP                                     | U30-73ZP                                                  | U30-73ZP                                     |
| 10      | Shaft Seal                             | 1   | U109-433SS                      | U109-433SS                                   | U109-433SS                                                | U109-433SS                                   |
| 11      | Gasket - Seal                          | 1   | C20-101                         | C20-101                                      | C20-101                                                   | C20-101                                      |
| 12      | Impeller                               | 1   | C5-246                          | C5-247                                       | C5-248                                                    | C5-249                                       |
| 13      | Wear Ring                              | 1   | J23-5                           | C23-14                                       | J23-5                                                     | J23-5                                        |
| 14      | Gasket                                 | 1   | C20-100                         | C20-100                                      | C20-100                                                   | C20-100                                      |
| 15      | Washer - Impeller                      | 1   | C43-45SS                        | C43-45SS                                     | C43-45SS                                                  | C43-45SS                                     |
| 16      | Gasket                                 | 1   | C43-46                          | C43-46                                       | C43-46                                                    | C43-46                                       |
| 17      | Screw - Impeller - 3/8 - 16 x 3/4" Lg. | 1   | U30-72SS                        | U30-72SS                                     | U30-72SS                                                  | U30-72SS                                     |
| 18      | Diffuser (includes Key No. 13)         | 1   | C101-126                        | C101-126B                                    | C101-132                                                  | C101-132                                     |
| 19      | Diffuser Ring                          | 1   | C21-2                           | C21-2                                        | C21-2                                                     | C21-2                                        |
| 20      | Pump Body                              | 1   | C76-12                          | C76-12C                                      | C76-12B                                                   | C76-12                                       |
| 21      | Pipe Plug - 1/4" NPT                   | 2   | U78-941ZPV                      | U78-941ZPV                                   | U78-941ZPV                                                | U78-941ZPV                                   |
| 22      | Cap Screw - 5/16 - 18 x 3/4" Lg.       | 4   | U30-60ZP                        | U30-60ZP                                     | U30-60ZP                                                  | U30-60ZP                                     |

# TROUBLESHOOTING

| SYMPTOM                                                                                                     | PROBABLE CAUSE(S)                                                                                                                                              | CORRECTIVE ACTION                                                                                                                                                                                                                                                                                                                                  |
|-------------------------------------------------------------------------------------------------------------|----------------------------------------------------------------------------------------------------------------------------------------------------------------|----------------------------------------------------------------------------------------------------------------------------------------------------------------------------------------------------------------------------------------------------------------------------------------------------------------------------------------------------|
| Motor will not run                                                                                          | Disconnect switch is off                                                                                                                                       | Be sure switch is on                                                                                                                                                                                                                                                                                                                               |
|                                                                                                             | Fuse is blown                                                                                                                                                  | Replace fuse                                                                                                                                                                                                                                                                                                                                       |
|                                                                                                             | Starting switch is defective                                                                                                                                   | Replace starting switch                                                                                                                                                                                                                                                                                                                            |
|                                                                                                             | Wires at motor are loose, disconnected, or wired incorrectly                                                                                                   | Refer to instructions on wiring. Check and tighten all wiring.<br><b>⚠️ WARNING</b> Capacitor voltage may be hazardous. To discharge capacitor, hold insulated handle screwdriver BY THE HANDLE and short capacitor terminals together. Do not touch metal screwdriver blade or capacitor terminals. If in doubt, consult a qualified electrician. |
| Motor runs hot and overload kicks off                                                                       | Motor is wired incorrectly                                                                                                                                     | Refer to wiring instructions                                                                                                                                                                                                                                                                                                                       |
|                                                                                                             | Voltage is too low                                                                                                                                             | Check with power company. Install heavier wiring if wire size is too small (See Electrical section of this manual)                                                                                                                                                                                                                                 |
| Motor runs but no water is delivered<br><br>Unscrew priming plug and make sure there is water in pump case. | Pump in new installation did not pick up prime through:<br>Check prime before looking for other causes.<br>Improper priming<br>Air leaks<br>Leaking foot valve | In new installation:<br>1. Unscrew priming plug and make sure there is water in pump case<br>2. Re-prime according to instructions<br>3. Check all connections on suction line<br>4. Replace foot valve                                                                                                                                            |
|                                                                                                             | Pump has lost prime through:<br>Check prime before looking for other causes.<br>Air leaks<br>Water level below suction of pump                                 | In installation already in use:<br>1. Unscrew priming plug and make sure there is water in pump case<br>2. Check all connections on suction line and shaft seal<br>3. Lower suction line into water and re-prime.<br>If receding water level in well exceeds suction lift, a deep well pump is needed                                              |
|                                                                                                             | Impeller is plugged                                                                                                                                            | Clean impeller as per Cleaning/replacing Impeller procedures.                                                                                                                                                                                                                                                                                      |
|                                                                                                             | Check valve or foot valve is stuck in closed position                                                                                                          | Replace check valve or foot valve                                                                                                                                                                                                                                                                                                                  |
|                                                                                                             | Pipes are frozen                                                                                                                                               | Thaw pipes. Bury pipes below frost line. Heat pit or pump house                                                                                                                                                                                                                                                                                    |
|                                                                                                             | Foot valve and/or strainer are buried in sand or mud                                                                                                           | Raise foot valve and/or strainer above well bottom                                                                                                                                                                                                                                                                                                 |
|                                                                                                             | Pump does not deliver water to full capacity                                                                                                                   | Leaking foot valve is causing lose of priming                                                                                                                                                                                                                                                                                                      |
| Water level in well is greater than 25 feet below suction of pump                                           |                                                                                                                                                                | A deep well jet pump may be needed                                                                                                                                                                                                                                                                                                                 |
| Steel piping (if used) is corroded or limed, causing excess friction                                        |                                                                                                                                                                | Replace with plastic pipe where possible, otherwise with new steel pipe                                                                                                                                                                                                                                                                            |
| Offset piping is too small in size                                                                          |                                                                                                                                                                | Use larger offset piping                                                                                                                                                                                                                                                                                                                           |

# BERKELEY WARRANTY

## Warranty

Pentair BERKELEY® warrants to the original consumer purchaser ("Purchaser" or "You") of the products listed in the table below, that they will be free from defects in material and workmanship for the Warranty Period shown in the table below.

| Product                                                                                                | Warranty Period                                                                                                          |
|--------------------------------------------------------------------------------------------------------|--------------------------------------------------------------------------------------------------------------------------|
| <b>Water Systems:</b>                                                                                  |                                                                                                                          |
| Water Systems Products – jet pumps, small centrifugal pumps, submersible pumps and related accessories | <i>whichever occurs first:</i><br>12 months from date of original installation, or<br>18 months from date of manufacture |
| Pentair Pro-Source® Composite Tanks                                                                    | 5 years from date of original installation                                                                               |
| Pentair Pro-Source Steel Pressure Tanks                                                                | 5 years from date of original installation                                                                               |
| Pentair Pro-Source Epoxy-Lined Tanks                                                                   | 3 years from date of original installation                                                                               |
| <b>Agricultural/Commercial:</b>                                                                        |                                                                                                                          |
| Centrifugals – close-coupled motor drive, frame mount, SAE mount, engine drive, VMS, SSCX, SSHM        | 12 months from date of original installation, or<br>24 months from date of manufacture                                   |
| Submersible Turbines, 6" diameter and larger                                                           | 12 months from date of original installation, or<br>24 months from date of manufacture                                   |

Our warranty will not apply to any product that, in our sole judgement, has been subject to negligence, misapplication, improper installation, or improper maintenance. Examples that may result in denial of a warranty claim (this list is not all inclusive):

- Damage caused by careless handling, improper repackaging, or shipping.
- Damage due to misapplication, misuse, abuse, or failure to operate equipment as specified in the owner's manual.
- Damage caused by failure to install products as specified in the owner's manual.
- Damage due to unauthorized product modifications or failure to use Pentair original replacement parts.
- Damage caused by negligence, or failure to properly maintain products as specified in the owner's manual.
- Damage caused by water freezing inside the product.
- Accidental damage, fire, acts of God, or other circumstances outside the control of Pentair.

Without limiting the foregoing, operating a three phase motor with single phase power through a phase converter will void the warranty. Note also that three phase motors must be protected by three-leg, ambient compensated, extra-quick trip overload relays of the recommended size or the warranty is void.

All impeller diameters specified in the BEC2 pump sizing program have been tested and determined to not exceed the service factor of the specified motor. Oversized impeller diameters can be requested, however, use of an oversized impeller will void any warranty claims.

Your only remedy, and BERKELEY's only duty under this warranty, is that BERKELEY repair or replace defective products (at BERKELEY's choice). THE REMEDIES DESCRIBED HERE ARE YOUR SOLE AND EXCLUSIVE REMEDIES AND OUR ENTIRE LIABILITY FOR ANY BREACH OF THIS WARRANTY.

You must pay all labor and shipping charges associated with the warranty and must request warranty service through the installing dealer as soon as a problem is discovered. No request for service will be accepted if received after the Warranty Period has expired. This warranty is not transferable.

BERKELEY'S LIABILITY SHALL UNDER NO CIRCUMSTANCES EXCEED THE ACTUAL AMOUNT PAID BY YOU FOR THE PRODUCT AT ISSUE. BERKELEY SHALL NOT, UNDER ANY CIRCUMSTANCES, BE LIABLE FOR ANY CONSEQUENTIAL, INCIDENTAL, SPECIAL, PUNITIVE, OR CONTINGENT DAMAGES OR LOSSES WHATSOEVER, WHETHER DIRECT OR INDIRECT. THE FOREGOING WARRANTY IS EXCLUSIVE. EXCEPT FOR THE WARRANTY SET FORTH HEREIN, BERKELEY MAKES NO WARRANTY WHATSOEVER WITH RESPECT TO THE PRODUCTS, INCLUDING, BUT NOT TO ANY WARRANTIES OF MERCHANTABILITY OR WARRANTY OF FITNESS FOR A PARTICULAR PURPOSE, WHETHER EXPRESS OR IMPLIED BY LAW, COURSE OF DEALING, COURSE OF PERFORMANCE, USAGE OF TRADE OR OTHERWISE.

THE FOREGOING WARRANTIES SHALL NOT EXTEND BEYOND THE DURATION PROVIDED HEREIN. Some states do not allow the exclusion or limitation of incidental or consequential damages or limitations on the duration of an implied warranty, so the above limitations or exclusions may not apply to You. This warranty gives You specific legal rights and You may also have other rights which vary from state to state.

This Warranty is effective July 14, 2020 and replaces all undated warranties and warranties dated before July 14, 2020.

### BERKELEY

293 Wright Street, Delavan, WI 53115  
 Phone: 866-973-6835 • Fax: 800-321-8793 • Pentair.com/Berkeley  
 In Canada: 490 Pinebush Road, Unit 4, Cambridge, Ontario N1T 0A5  
 Phone: 800-363-7867 • Fax: 888-606-5484

# MYERS WARRANTY

## Limited Warranty

Myers warrants to the original consumer purchaser ("Purchaser" or "You") of the products listed below, that they will be free from defects in material and workmanship for the Warranty Period shown below.

| <b>Product</b>                                                                | <b>Warranty Period</b><br>whichever occurs first:                                   |
|-------------------------------------------------------------------------------|-------------------------------------------------------------------------------------|
| Jet pumps, small centrifugal pumps, submersible pumps and related accessories | 12 months from date of original installation, or 18 months from date of manufacture |
| Fibrewound Tanks                                                              | 5 years from date of original installation                                          |
| Steel Pressure Tanks                                                          | 5 years from date of original installation                                          |
| Sump/Sewage/Effluent/Utility/Battery Backup Products                          | 36 months from date of manufacture                                                  |
| Wastewater Solids Handling Pumps                                              | 12 months from date of shipment from factory or 18 months from date of manufacture  |

Our warranty applies only where such products are used in compliance with the requirements of the applicable product catalog and/or manuals. For additional information, please refer to the applicable standard limited warranty featured in the product manual.

Our warranty will not apply to any product that, in our sole judgement, has been subject to negligence, misapplication, improper installation, or improper maintenance. Without limiting the foregoing, operating a three phase motor with single phase power through a phase converter will void the warranty. Note also that three phase motors must be protected by three-leg, ambient compensated, extra-quick trip overload relays of the recommended size or the warranty is void.

Your only remedy, and MYERS's only duty, is that MYERS repair or replace defective products (at MYERS's choice). You must pay all labor and shipping charges associated with this warranty and must request warranty service through the installing dealer as soon as a problem is discovered. No request for service will be accepted if received after the Warranty Period has expired. This warranty is not transferable.

MYERS SHALL NOT BE LIABLE FOR ANY CONSEQUENTIAL, INCIDENTAL, OR CONTINGENT DAMAGES WHATSOEVER.

THE FOREGOING LIMITED WARRANTIES ARE EXCLUSIVE AND IN LIEU OF ALL OTHER EXPRESS AND IMPLIED WARRANTIES, INCLUDING BUT NOT LIMITED TO IMPLIED WARRANTIES OF MERCHANTABILITY AND FITNESS FOR A PARTICULAR PURPOSE. THE FOREGOING LIMITED WARRANTIES SHALL NOT EXTEND BEYOND THE DURATION PROVIDED HEREIN.

Some states do not allow the exclusion or limitation of incidental or consequential damages or limitations on the duration of an implied warranty, so the above limitations or exclusions may not apply to You. This warranty gives You specific legal rights and You may also have other rights which vary from state to state.

This Limited Warranty is effective January 1, 2021 and replaces all undated warranties and warranties dated before January 1, 2021.

**PENTAIR MYERS**  
**293 Wright Street, Delavan, WI 53115**  
**Phone: 888-987-8677 • Fax: 800-426-9446 • [www.femyers.com](http://www.femyers.com)**  
**In Canada: 490 Pinebush Road, Unit 4, Cambridge, Ontario N1T 0A5**  
**Phone: 800-363-7867 • Fax: 888-606-5484**

# STA-RITE WARRANTY

## WARRANTY

STA-RITE\* warrants to the original consumer purchaser ("Purchaser" or "You") of the products listed below, that they will be free from defects in material and workmanship for the Warranty Period shown below.

| Product                                                                                                | Warranty Period                                                                                                   |
|--------------------------------------------------------------------------------------------------------|-------------------------------------------------------------------------------------------------------------------|
| Water Systems Products – jet pumps, small centrifugal pumps, submersible pumps and related accessories | whichever occurs first:<br>12 months from date of original installation,<br>or 18 months from date of manufacture |
| Pro-Source™ Composite Tanks                                                                            | 5 years from date of original installation                                                                        |
| Pro-Source™ Steel Pressure Tanks                                                                       | 5 years from date of original installation                                                                        |
| Pro-Source™ Epoxy-Lined Tanks                                                                          | 3 years from date of original installation                                                                        |
| Sump/Sewage/Effluent Products                                                                          | 12 months from date of original installation, or<br>18 months from date of manufacture                            |

Our warranty will not apply to any product that, in our sole judgement, has been subject to negligence, misapplication, improper installation, or improper maintenance. Without limiting the foregoing, operating a three phase motor with single phase power through a phase converter will void the warranty. Note also that three phase motors must be protected by three-leg, ambient compensated, extra-quick trip overload relays of the recommended size or the warranty is void.

Your only remedy, and STA-RITE's only duty, is that STA-RITE repair or replace defective products (at STA-RITE's choice). You must pay all labor and shipping charges associated with this warranty and must request warranty service through the installing dealer as soon as a problem is discovered. No request for service will be accepted if received after the Warranty Period has expired. This warranty is not transferable.

STA-RITE SHALL NOT BE LIABLE FOR ANY CONSEQUENTIAL, INCIDENTAL, OR CONTINGENT DAMAGES WHATSOEVER. THE FOREGOING WARRANTIES ARE EXCLUSIVE AND IN LIEU OF ALL OTHER EXPRESS AND IMPLIED WARRANTIES, INCLUDING BUT NOT LIMITED TO THE IMPLIED WARRANTIES OF MERCHANTABILITY AND FITNESS FOR A PARTICULAR PURPOSE. THE FOREGOING WARRANTIES SHALL NOT EXTEND BEYOND THE DURATION EXPRESSLY PROVIDED HEREIN.

Some states do not allow the exclusion or limitation of incidental or consequential damages or limitations on the duration of an implied warranty, so the above limitations or exclusions may not apply to You. This warranty gives You specific legal rights and You may also have other rights which vary from state to state.

This Limited Warranty is effective June 1, 2011 and replaces all undated warranties and warranties dated before June 1, 2011.

STA-RITE INDUSTRIES  
293 Wright Street • Delavan, WI U.S.A. 53115  
Phone: 1-888-782-7483 • Fax: 1-800-426-9446 • Web Site: sta-rite.com



293 Wright St  
Delavan, WI 53115  
Ph: 888-782-7483  
Fx: 800.426.9446

490 Pinebush Rd, Unit 4  
Cambridge, Ontario  
Canada N1T 0A5  
Ph: 800.363.7867  
Fx: 888.606.5484

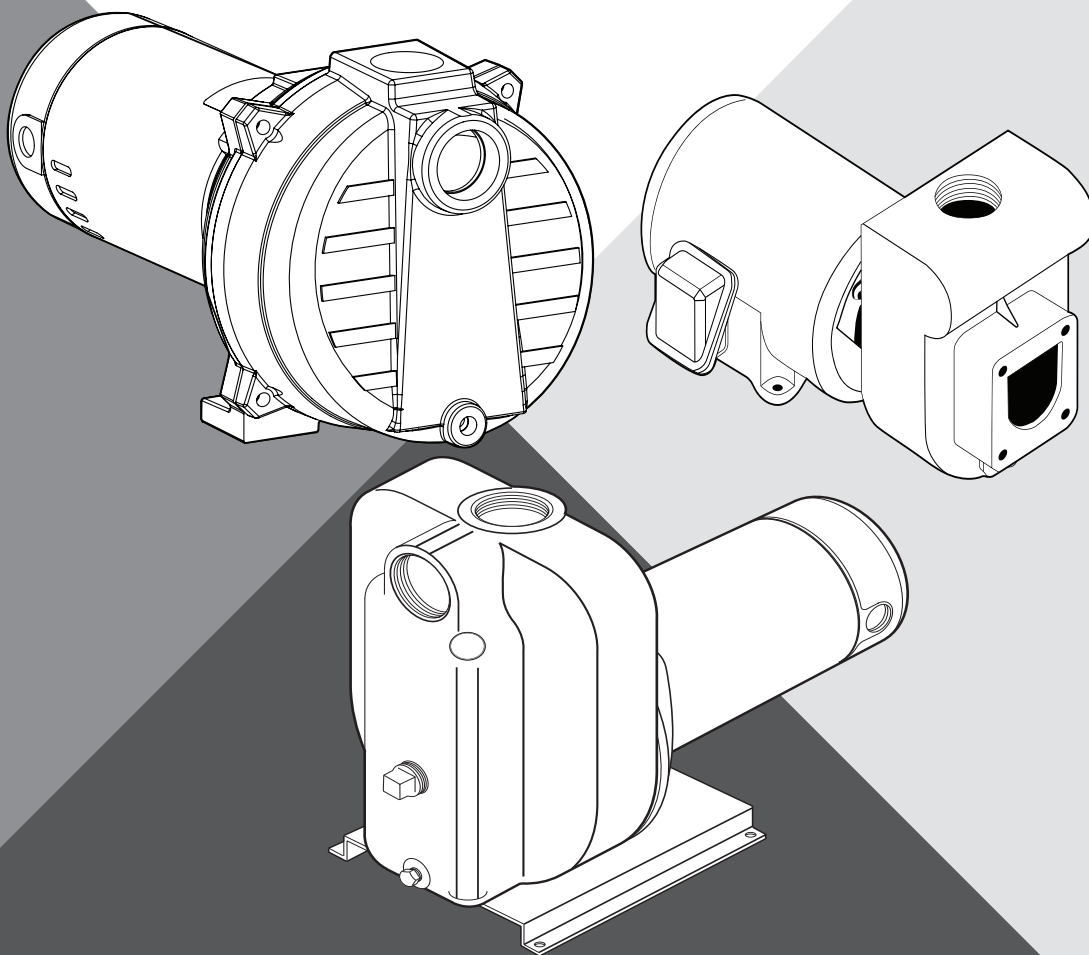
PENTAIR.COM

All indicated Pentair trademarks and logos are property of Pentair. Third party registered and unregistered trademarks and logos are the property of their respective owners. Because we are continuously improving our products and services, Pentair reserves the right to change specifications without prior notice. Pentair is an equal opportunity employer.

©2023 Pentair. All Rights Reserved.

P15007(03-01-2023)

# POMPES CENTRIFUGES ET POMPES DE GICLEURS AUTO-AMORÇANTES PROFESSIONNELLES



## GUIDE DE L'UTILISATEUR

[PENTAIR.COM](http://PENTAIR.COM)

# TABLE DES MATIÈRES

---

|                             |    |
|-----------------------------|----|
| CONSIGNES DE SÉCURITÉ ..... | 33 |
| INSTALLATION .....          | 34 |
| ÉLECTRICITÉ.....            | 36 |
| FONCTIONNEMENT.....         | 38 |
| ENTRETIEN .....             | 39 |
| PIÈCES DE RECHANGE .....    | 42 |
| DÉPANNAGE.....              | 57 |
| GARANTIES .....             | 58 |

CE MANUEL COMPREND LES SÉRIES DE MODÈLES SUIVANTES :

MODÈLES BERKELEY : LTHH, BPD, LTH/LTM.


MODÈLES MYERS : MDPC, QP, PQP.


MODÈLES STA-RITE : DPC, D, DS2, DS3, PD





# CONSIGNES DE SÉCURITÉ

## SYMBOLES DE SÉCURITÉ

 Ceci est le symbole d'alerte de sécurité. Si vous voyez ce symbole sur votre pompe ou dans ce guide, cherchez l'un des mots d'avertissement ci-dessous et soyez attentif aux risques de blessures corporelles.


 **DANGER** signale un danger qui provoquera la mort, des blessures corporelles graves ou des dommages matériels importants, s'il est ignoré.

 **MISE EN GARDE** signale un danger qui peut provoquer la mort, des blessures corporelles graves ou des dommages matériels importants, s'il est ignoré.


 **ATTENTION** signale un danger qui provoquera ou peut provoquer des blessures corporelles légères ou des dommages matériels, s'il est ignoré.

Le terme **REMARQUE** indique d'importantes consignes spéciales, non liées aux dangers.

## AVERTISSEMENT CONCERNANT LA PROPOSITION 65 DE LA CALIFORNIE


 **MISE EN GARDE** Ce produit et les accessoires connexes contiennent des produits chimiques considérés par l'État de la Californie comme pouvant causer le cancer, des anomalies congénitales ou d'autres problèmes liés au système reproducteur.


## SÉCURITÉ GÉNÉRALE


 **MISE EN GARDE** **NE TOUCHEZ JAMAIS À UN MOTEUR EN MARCHÉ.** Les moteurs modernes peuvent fonctionner à une température élevée. Pour éviter les brûlures lors de l'entretien de la pompe, laissez-la refroidir pendant 20 minutes après l'arrêt avant de la manipuler.


- ◆ Pour éviter l'accumulation de chaleur et les risques de surpression et de blessure, ne l'utilisez pas dans un système de réservoir (d'eau domestique) sous pression. Ne l'utilisez pas comme pompe de surpression; l'aspiration sous pression pourrait faire exploser le corps de la pompe.
- ◆ N'exposez pas la pompe ou le système de tuyauterie au gel. Le gel peut endommager la pompe et la tuyauterie, peut causer une défaillance de l'équipement et entraîner des blessures et avoir pour effet d'annuler la garantie.
- ◆ Utilisez cette pompe uniquement pour pomper de l'eau.
- ◆ Inspectez régulièrement les composants de la pompe et du système.
- ◆ Portez des lunettes de sécurité en tout temps lorsque vous travaillez sur les pompes.
- ◆ Gardez la zone de travail propre, dégagée et adéquatement éclairée; rangez tous les outils et les équipements non utilisés.
- ◆ Maintenez les visiteurs à une distance sécuritaire des zones de travail.
- ◆ Faites en sorte que l'atelier ne présente aucun danger pour les enfants en installant des cadenas et des interrupteurs et en retirant les clés de contact.

## SÉCURITÉ ÉLECTRIQUE

 Câblez le moteur à la bonne tension. Consultez la section « Électricité » de ce manuel et la plaque signalétique du moteur.

 Assurez-vous d'effectuer la mise à la terre du moteur avant de le brancher à l'alimentation électrique.

 Respectez les normes du Code national de l'électricité, du Code canadien de l'électricité et des codes locaux pour tout le câblage.

 Suivez les instructions de câblage de ce manuel pour raccorder le moteur aux lignes électriques.

|  <b>MISE EN GARDE</b> |                                                                                                                                                                           |
|----------------------------------------------------------------------------------------------------------|---------------------------------------------------------------------------------------------------------------------------------------------------------------------------|
|                        | Tension dangereuse. Peut causer un choc électrique, des brûlures ou la mort. Assurez-vous de mettre la pompe à la terre avant de la brancher à l'alimentation électrique. |

# INSTALLATION

## AVANT D'INSTALLER LA POMPE

- ◆ Assurez-vous que le puits n'est pas plus profond que 20 pi par rapport à l'eau.
- ◆ Installez la pompe aussi près du puits que possible et utilisez le moins possible de coudes et de raccords. Les tuyaux plus longs et plusieurs raccords augmentent la friction et réduisent le débit.
- ◆ Assurez-vous que le puits est exempt de sable. Le sable peut obstruer la pompe et annuler la garantie.
- ◆ Protégez la pompe et l'ensemble de la tuyauterie du gel. Le gel peut fendre la tuyauterie, endommager la pompe et annuler la garantie. Vérifiez la réglementation locale en matière de protection contre le gel. Les tuyaux doivent être à 12 po (30 cm) sous la ligne de gel et la pompe doit être isolée.
- ◆ Assurez-vous que tous les tuyaux et le clapet de pied sont propres et en bon état.
- ◆ Assurez-vous qu'il n'y a pas de poches d'air ou de fuites dans le tuyau d'aspiration. Utilisez un ruban d'étanchéité pour filetage de tuyau en PTFE pour sceller les joints de tuyaux.
- ◆ Les raccords installés à proximité du puits et de la pompe aident à l'entretien. Assurez-vous de laisser assez d'espace pour utiliser des clés.

**⚠ MISE EN GARDE** LE CORPS DE LA POMPE PEUT EXPLOSER si elle est utilisée comme pompe de surpression. **NE PAS UTILISER** comme pompe de surpression.

## INSTALLATION DE LA POINTE FILTRANTE

Suivez les étapes d'installation ci-dessous qui correspondent à votre type de pompe.

### INSTALLATION D'UN Puits TUBÉ

1. Assurez-vous que le clapet de pied fonctionne librement. Vérifiez que la crépine est propre.
2. Raccordez le clapet de pied et la crépine à la première longueur du tuyau d'aspiration et faites descendre le tuyau dans le puits. Ajoutez des sections de tuyau au besoin et utilisez du ruban d'étanchéité pour filetage de tuyau en PTFE sur les filetages mâles. Assurez-vous que tous les tuyaux d'aspiration sont complètement étanches ou la pompe subira une perte d'amorçage et n'arrivera pas à pomper.
3. Installez un clapet de pied de 10 à 20 pieds sous le niveau d'eau le plus bas pendant que la pompe fonctionne (niveau d'eau de pompage). Votre foreur de puits peut vous fournir cette information.
  - ◆ Pour empêcher le sable et les sédiments de pénétrer dans le système de pompage, le clapet de pied/crépine doivent être au moins à cinq pieds du fond du puits.
4. Lorsque la bonne profondeur est atteinte, installez un joint de puits sanitaire sur le tuyau et dans le tubage du puits. Serrez les boulons pour sceller le tubage du puits.
5. Si vous utilisez un clapet de pied, il est recommandé d'utiliser un raccord en T et un bouchon d'amorçage (figure 1).

### INSTALLATION D'UN Puits CREUSÉ

Suivez les mêmes instructions décrites dans la section Installation d'un puits tubé.

### INSTALLATION D'UN Puits À POINTE FILTRANTE

1. Raccordez le tuyau d'aspiration à la pointe filtrante (figure 2). Gardez le tuyau horizontal aussi court que possible. Utilisez du ruban d'étanchéité pour filetage de tuyau en PTFE sur le filetage extérieur. Il peut être nécessaire d'utiliser plusieurs pointes filtrantes pour obtenir un débit d'eau suffisant pour le pompage.

2. Installez un clapet de non-retour dans le tuyau horizontal. Assurez-vous que la flèche du clapet de non-retour indiquant le sens de l'écoulement pointe vers la pompe.

## INSTALLATION DE LA TUYAUTERIE HORIZONTALE DU Puits À LA POMPE

1. N'installez jamais un tuyau d'aspiration plus petit que la prise d'aspiration de la pompe.
2. Pour aider l'amorçage dans les installations de pointes filtrantes, installez le clapet de non-retour comme illustré à la figure 2. Assurez-vous que la flèche du clapet de non-retour indiquant le sens de l'écoulement pointe vers la pompe.

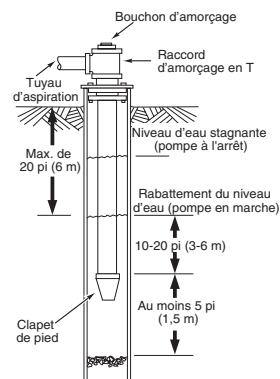


FIGURE 1 – INSTALLATION D'UN Puits TUBÉ OU CREUSÉ

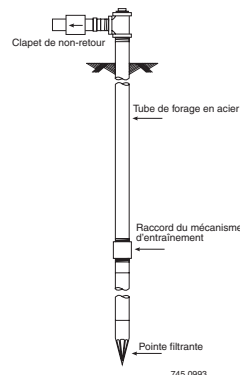


FIGURE 2 – INSTALLATION D'UN Puits À POINTE FILTRANTE

## TAILLES DE TUYAU DE REFOULEMENT

1. Si vous augmentez la taille du tuyau de refoulement, installez un réducteur dans la prise de refoulement de la pompe. N'augmentez pas la taille de la tuyauterie par étapes.
2. Lorsque la pompe est installée loin des points de consommation d'eau, la taille du tuyau de refoulement doit être plus grosse afin de réduire les pertes de pression causées par la friction.
  - ◆ Jusqu'à 100 pieds : Même taille que la prise de refoulement de la pompe.
  - ◆ De 100 pi à 300 pi : Augmentez la taille de la tuyauterie d'une grandeur.
  - ◆ De 300 pi à 600 pi : Augmentez la taille de la tuyauterie de deux grandeurs.

# INSTALLATION

## ARROSAGE DE PELOUSE

Cette pompe est conçue pour être utilisée dans un étang, une citerne ou un puits à pointe filtrante. Le refoulement de la pompe peut être divisée pour alimenter deux (2) dispositifs ou plus d'arrosage automatique. Un exemple de tuyaux de refoulement multiples est illustré à la figure 3.

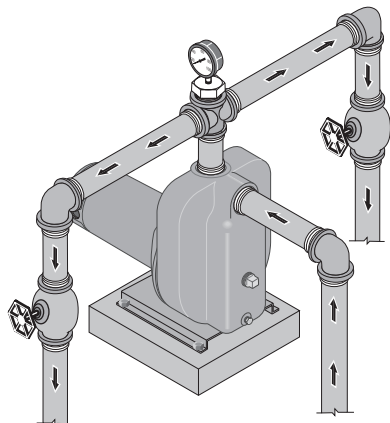


FIGURE 3 - TUYAUX DE REFOULEMENT MULTIPLES

## INSTALLATION DE LA POMPE ET DE LA TUYAUTERIE

N'utilisez que du ruban d'étanchéité pour filetage de tuyau en PTFE pour effectuer tous les raccords filetés de la pompe elle-même. N'utilisez pas de pâte à joints sur les pompes en plastique : ils peuvent réagir avec le plastique des composants de la pompe.

Assurez-vous que tous les joints du tuyau d'aspiration sont étanches à l'air et à l'eau. Si le tuyau d'aspiration n'est pas étanche, la pompe ne pourra pas extraire l'eau du puits.

1. Boulonnez la pompe sur une fondation solide et plane.
2. Assurez-vous que tous les tuyaux raccordés à la pompe sont bien soutenus.
  - ♦ Installez la pompe aussi près que possible de la tête du puits. Les tuyaux plus longs et plusieurs raccords causent une friction et réduisent le débit.
3. Enroulez 1 1/2 à 2 couches de ruban d'étanchéité pour filetage de tuyau en PTFE dans le sens horaire (face à l'extrémité du tuyau) sur tout le filetage extérieur à raccorder à la pompe.

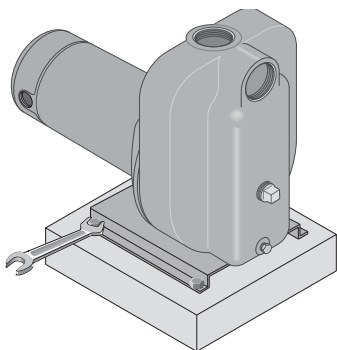


FIGURE 4 - BOULONNAGE DE LA POMPE

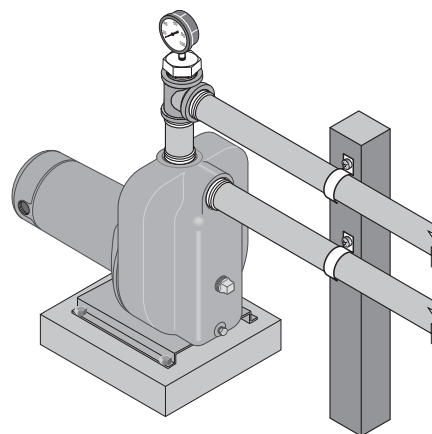


FIGURE 5 - SOUTIEN DE CHAQUE TUYAU FIXÉ À LA POMPE

4. Serrez les joints à la main et faites un tour et demi de plus. Ne serrez pas trop.
5. Si un tuyau horizontal plus long doit être utilisé, installez un raccord d'amorçage en T entre le clapet de non-retour et la tête de puits (figure 1). Utilisez la nomenclature 80 ou un tuyau en fer.

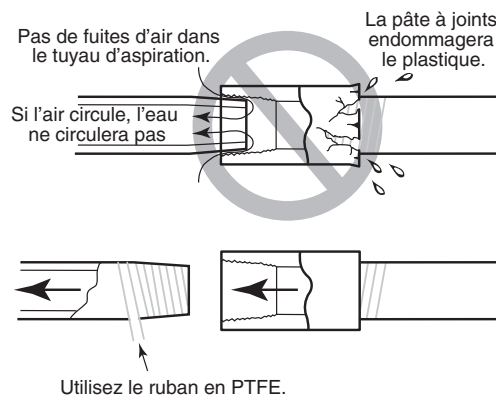


FIGURE 6 - PAS DE POCHES D'AIR DANS LE TUYAU D'ASPIRATION

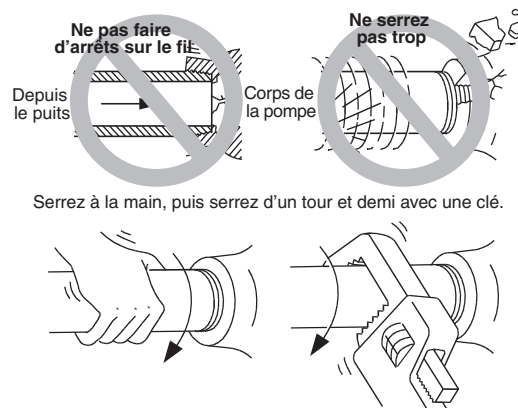


FIGURE 7 - PAS DE FUITES DANS LE TUYAU D'ASPIRATION

## CÂBLAGE

Installez, effectuez la mise à la terre, le câblage, et l'entretien et de cette pompe conformément aux exigences du code de l'électricité. Consultez votre inspecteur en bâtiment local pour en savoir plus sur les codes. Lisez et suivez toutes les mises en garde ci-dessous.

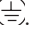
**MISE EN GARDE TENSION DANGEREUSE.** Peut causer un choc électrique, des brûlures ou la mort. Débranchez l'alimentation de la pompe avant de travailler sur la pompe ou le moteur. Assurez-vous d'effectuer la mise à la terre du moteur avant de le brancher à l'alimentation électrique.

⚠ Pour éviter les risques de choc électrique dangereux ou mortel, coupez l'alimentation électrique du moteur avant de travailler sur les raccordements électriques.

⚠ La tension d'alimentation doit se situer à  $\pm 10\%$  de la tension indiquée sur la plaque signalétique. Une tension inadéquate peut provoquer un incendie ou endommager le moteur et annuler la garantie. En cas de doute, consultez un électricien qualifié.

⚠ Utilisez le calibre indiqué dans le Tableau de câblage de ce manuel.

⚠ Effectuez le câblage du moteur conformément au schéma de câblage figurant sur la plaque signalétique du moteur. Si le schéma de la plaque signalétique diffère des schémas figurant dans le manuel, suivez le schéma de la plaque signalétique.

1. Prévoyez un sectionneur à fusibles pour une protection adéquate lorsque vous travaillez sur le moteur. Consultez les codes électriques local et national pour connaître les exigences relatives au sectionneur\*.
2. Débranchez l'alimentation électrique avant de procéder à l'entretien du moteur ou de la pompe. Si le sectionneur n'est pas visible de la pompe, verrouillez-le et ajoutez une étiquette mise en garde pour éviter les mises en route inattendues.
3. Effectuez la mise à la terre permanente de la pompe avec le même calibre de câble qu'indiqué dans le Tableau de câblage du manuel. Effectuez la mise à la terre en raccordant la borne verte sous le capot du moteur indiqué GRD (TERRE) ou .
4. Raccordez le câble de mise à la terre à un câble de masse dans le panneau de service ou à une conduite d'eau souterraine en métal ou au tubage de puits d'une longueur d'au moins 10 pieds. Ne raccordez pas à un tuyau en plastique ou des raccords isolés.  
⚠ Ne faites pas la mise à la terre sur une conduite d'alimentation en gaz.
5. Protégez les conducteurs sous tension et de terre des coupures, de la graisse, de la chaleur, de l'huile et des produits chimiques.

6. Le moteur comprend une protection thermique intégrée contre les surcharges. Si, pour des raisons inconnues, le moteur s'est arrêté, la surcharge thermique pourrait redémarrer le moteur de manière inattendue et causer des blessures ou des dommages matériels. Débranchez l'alimentation électrique avant de procéder à l'entretien du moteur.

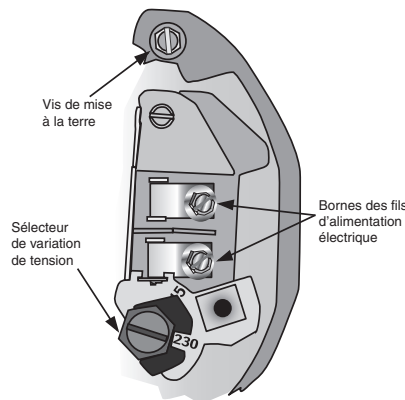


FIGURE 8 – TENSION RÉGLÉE À 230 V. SÉLECTEUR ROTATIF

7. Si vous trouvez cette procédure ou le schéma de câblage déroutant, consultez un électricien qualifié.
  - ♦ Reportez-vous à la figure 8 pour consulter la configuration du câblage.
  - ♦ Raccordez les conducteurs sous tension aux bornes L1 et L2. Si vous devez remplacer le moteur, vérifiez le schéma de câblage sur la plaque signalétique du moteur. Pour les moteurs triphasés ou ceux dont le schéma de câblage ne correspond pas à la figure 8, consultez le schéma sur le moteur.

## CONFIGURATION D'UTILISATION À 115 VOLTS

Les modèles monophasés de 115/230 volts sont pré-réglés à 230 volts en usine.

### Si l'alimentation électrique est de 115 volts :

1. Assurez-vous que l'alimentation électrique est coupée.
2. Retirez le couvercle du moteur.
3. À l'aide d'un tournevis ou d'une clé de 1/2 po, tournez le sélecteur de tension dans le sens antihoraire à 115 V.
4. Remplacez le couvercle du moteur.

(\*) Fusibles à élément double ou fusibles temporisés Fusetron recommandés pour tous les circuits du moteur.

# ÉLECTRICITÉ

**TABLEAU DE CÂBLAGE – CALIBRES DE FILS ET FUSIBLES RECOMMANDÉS POUR LES SÉRIES DS2, DS3, LTHH, PD, BPDH, PQP, DPC, MDPC, D, LTH, LTM**

| HP    | TENSION | PHASE | INTENSITÉ DE CHARGE MAXIMALE | VALEUR NOMINALE DU FUSIBLE (INTENSITÉ) | DISTANCE EN PIEDS (MÈTRES) DU MOTEUR À LA SOURCE D'ALIMENTATION |                     |                     |                      |
|-------|---------|-------|------------------------------|----------------------------------------|-----------------------------------------------------------------|---------------------|---------------------|----------------------|
|       |         |       |                              |                                        | 0 À 100 (0 À 30)                                                | 101 À 200 (31 À 61) | 201 À 300 (62 À 91) | 301 À 400 (92 À 122) |
|       |         |       |                              |                                        | CALIBRE DES FILS AWG – 115 V/230 V (MM <sup>2</sup> )           |                     |                     |                      |
| 1/2   | 115/230 | 1     | 8,5/4,3                      | 15/15                                  | 14/14 (2/2)                                                     | 12/14 (3/2)         | 10/14 (5,5/2)       | 8/14 (8,4/2)         |
| 3/4   | 115/230 | 1     | 11,4/5,7                     | 20/15                                  | 14/14 (2/2)                                                     | 10/14 (5,5/2)       | 8/14 (8,4/2)        | 6/12 (14/3)          |
| 1     | 115/230 | 1     | 12,2/6,1                     | 25/15                                  | 12/14 (3/2)                                                     | 8/14 (8,4/2)        | 8/14 (8,4/2)        | 6/12 (14/3)          |
| 1     | 230/460 | 3     | 3,6/1,8                      | 15/15                                  | 14/14 (2/2)                                                     | 14/14 (2/2)         | 14/14 (2/2)         | 14/14 (2/2)          |
| 1 1/2 | 115/230 | 1     | 18,4/9,2                     | 30/20                                  | 10/14 (5,5/2)                                                   | 8/14 (8,4/2)        | 6/12 (14/3)         | 4/10 (21/5,5)        |
| 1 1/2 | 230/460 | 3     | 4,7/2,35                     | 15/15                                  | 14/14 (2/2)                                                     | 14/14 (2/2)         | 14/14 (2/2)         | 14/14 (2/2)          |
| 2     | 115/230 | 1     | 22,8/11,4                    | 45/25                                  | 10/14 (5,5/2)                                                   | 6/12 (14/3)         | 6/12 (14/3)         | 4/10 (21/5,5)        |
| 2     | 230/460 | 3     | 6,8/3,4                      | 15/15                                  | 14/14 (2/2)                                                     | 14/14 (2/2)         | 12/14 (3/2)         | 12/14 (3/2)          |
| 2 1/2 | 115/230 | 1     | 22/11                        | 45/25                                  | 10/14 (5,5/2)                                                   | 8/12 (8,4/3)        | 6/12 (14/3)         | 4/10 (21/5,5)        |
| 2 1/2 | 230/460 | 3     | 8,5/4,25                     | 15/15                                  | 14/14 (2/2)                                                     | 14/14 (2/2)         | 12/14 (3/2)         | 10/14 (5,5/2)        |
| 3     | 230     | 1     | 17                           | 25                                     | 12 (3)                                                          | 12 (3)              | 10 (5,5)            | 8 (8,4)              |
| 3     | 230/460 | 3     | 9,6/4,8                      | 15/15                                  | 14/14 (2/2)                                                     | 14/14 (2/2)         | 12/14 (3/2)         | 12/14 (3/2)          |
| 3     | 200     | 3     | 11                           | 15                                     | 14 (2)                                                          | 14 (2)              | 12 (3)              | 10 (5,5)             |
| 5     | 230     | 1     | 28                           | 40                                     | 8 (8,4)                                                         | 8 (8,4)             | 8 (8,4)             | 6 (14)               |
| 5     | 200     | 1     | 32,2                         | 50                                     | 8 (8,4)                                                         | 8 (8,4)             | 8 (8,4)             | 6 (14)               |
| 5     | 230/460 | 3     | 15,2/7,6                     | 20/15                                  | 12/14 (3/2)                                                     | 12/14 (3/2)         | 10/14 (5,5/2)       | 10/14 (5,5/2)        |
| 5     | 200     | 3     | 17,5                         | 25                                     | 10 (5,5)                                                        | 10 (5,5)            | 10 (5,5)            | 8 (8,4)              |

**TABLEAU DE CÂBLAGE – CALIBRES DE FILS ET FUSIBLES RECOMMANDÉS POUR LA SÉRIE QP**

| HP    | TENSION | PHASE | INTENSITÉ DE CHARGE MAXIMALE | VALEUR NOMINALE DU FUSIBLE (INTENSITÉ) | DISTANCE EN PIEDS (MÈTRES) DU MOTEUR À LA SOURCE D'ALIMENTATION |                     |                     |                      |
|-------|---------|-------|------------------------------|----------------------------------------|-----------------------------------------------------------------|---------------------|---------------------|----------------------|
|       |         |       |                              |                                        | 0 À 100 (0 À 30)                                                | 101 À 200 (31 À 61) | 201 À 300 (62 À 91) | 301 À 400 (92 À 122) |
|       |         |       |                              |                                        | CALIBRE DES FILS AWG – 115 V/230 V (MM <sup>2</sup> )           |                     |                     |                      |
| 3/4   | 115/230 | 1     | 14,8/7,4                     | 20/15                                  | 12/14 (3/2)                                                     | 8/14 (8,4/2)        | 6/14 (14/2)         | 6/12 (14/3)          |
| 1     | 115/230 | 1     | 18,6/9,3                     | 30/20                                  | 10/14 (5,5/2)                                                   | 8/14 (8,4/2)        | 6/12 (14/3)         | 4/10 (21/5,5)        |
| 1 1/2 | 115/230 | 1     | 22,0/11,0                    | 45/25                                  | 10/14 (5,5/2)                                                   | 8/12 (8,4/3)        | 6/12 (14/3)         | 4/10 (21/5,5)        |
| 2     | 115/230 | 1     | 22,6/11,3                    | 45/25                                  | 10/14 (5,5/2)                                                   | 6/12 (14/3)         | 6/12 (14/3)         | 4/10 (21/5,5)        |
| 2     | 230/460 | 3     | 8,6/4,3                      | 20/10                                  | 14/14 (2/2)                                                     | 14/14 (2/2)         | 12/14 (3/2)         | 12/14 (3/2)          |
| 3     | 208-230 | 1     | 15,0-13,3                    | 35                                     | 12 (3)                                                          | 12 (3)              | 10 (5,5)            | 8 (8,4)              |
| 5     | 230     | 1     | 25,4                         | 60                                     | 8 (8,4)                                                         | 8 (8,4)             | 8 (8,4)             | 8 (8,4)              |
| 5     | 230/460 | 3     | 11,8/5,9                     | 15                                     | 14/14 (2/2)                                                     | 14/14 (2/2)         | 12/14 (3/2)         | 10/14 (5,5/2)        |

## AMORÇAGE DE LA POMPE

L'amorçage est le moment où la pompe fait sortir tout l'air du système et commence à déplacer l'eau de la source au système. Il ne fait pas seulement référence à l'ajout d'eau dans la pompe (même si c'est habituellement la première étape).

1. Les clapets d'aspiration et de refoulement et tous les boyaux installés du côté de refoulement de la pompe doivent être ouverts.
2. Retirez le bouchon d'amorçage. Remplissez la pompe et le tuyau d'aspiration d'eau (figure 9). **NE FAITES JAMAIS fonctionner la pompe à sec.** Le fonctionnement à sec de la pompe endommagera les joints et peut faire fondre l'impulseur et le diffuseur. Assurez-vous que les orifices de refoulement (soupape, poignée pistolet d'arrosage, etc.) sont ouverts lorsque la pompe fonctionne.
  - ♦ Si un raccord en T et un bouchon d'amorçage ont été prévus pour un long circuit horizontal, assurez-vous de remplir le tuyau d'aspiration par le raccord en T et de replacer le bouchon. Rappelez-vous d'appliquer un ruban d'étanchéité sur le bouchon.
  - ♦ Remplacez le bouchon d'amorçage actuel avec un bouchon doté d'un manomètre et d'un raccord réducteur intégré pour faciliter le dépannage de performance de la pompe.

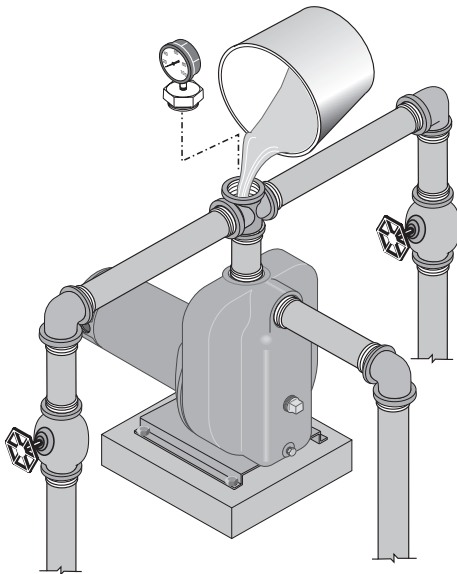
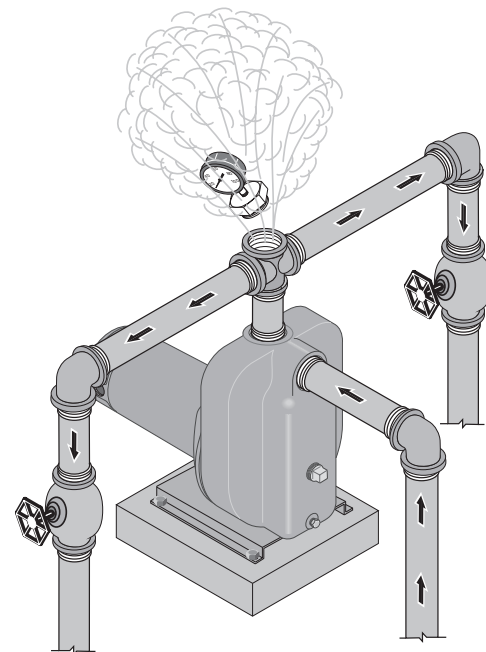


FIGURE 9 – RETIRER LE BOUCHON D'AMORÇAGE ET REMPLIR LA POMPE AVANT DE LA METTRE EN MARCHÉ

3. Démarrez la pompe. L'eau devrait remonter dans les 10 minutes ou moins. Le temps dépend de la profondeur du puits jusqu'à l'eau et la longueur du circuit horizontal. S'il n'y a pas d'eau dans les 10 minutes, arrêtez la pompe, dissipez toute la pression, retirez le bouchon d'amorçage, rajoutez de l'eau et essayez à nouveau.

**MISE EN GARDE** **PRESSIION DANGEREUSE ET RISQUE D'EXPLOSION ET DE BRÛLURE.** Si la pompe fonctionne continuellement sans débit (c'est-à-dire avec le refoulement fermé ou sans amorçage), l'eau peut bouillir dans la pompe et le système de tuyauterie. La pression de vapeur peut rompre les tuyaux, déloger les raccords, faire éclater les prises de la pompe et brûler toute personne se trouvant à proximité.



3026 0997

FIGURE 10 – NE PAS FAIRE FONCTIONNER LA POMPE SI LE REFOULEMENT EST FERMÉ

## ENTRETIEN

La pompe et les tuyaux n'ont pas besoin d'être débranchés pour réparer ou remplacer le moteur ou le joint.

Si le moteur est remplacé, un nouveau joint d'étanchéité de l'arbre doit être installé. Conservez un joint d'arbre de rechange pour une utilisation ultérieure.

Consultez l'étiquette du moteur pour les instructions de lubrification. Le joint mécanique de l'arbre logé dans la pompe est lubrifié par l'eau et son réglage est automatique.

### DÉMONTAGE DE LA POMPE

Videz l'eau de la pompe lorsqu'elle est débranchée ou lorsqu'elle risque de geler.

1. Débranchez l'alimentation du moteur.
2. Marquez les câbles pour l'assemblage ultérieur.
3. Dissipez toute la pression d'eau du système.
4. Retirez le bouchon de vidange et videz la pompe.
5. Retirez les vis d'assemblage qui retiennent la plaque d'étanchéité au corps de la pompe. Le moteur et la plaque d'étanchéité peuvent maintenant être retirés du corps de la pompe (figure 11).
6. Retirez le joint d'étanchéité AVEC SOIN.

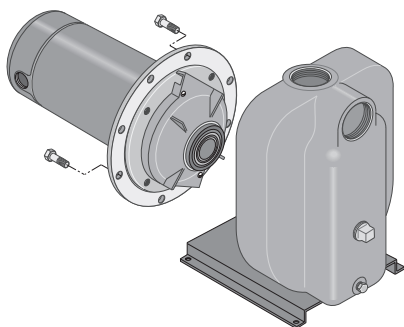


FIGURE 11 – ÉLOIGNER LE MOTEUR

### NETTOYAGE ET REMPLACEMENT DE L'IMPULSEUR

1. Suivez les instructions sous la section « Démontage de la pompe ».
2. Retirez les vis qui retiennent le diffuseur à la plaque d'étanchéité.

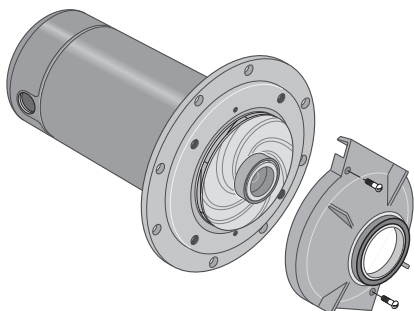


FIGURE 12 – RETIRER LE DIFFUSEUR

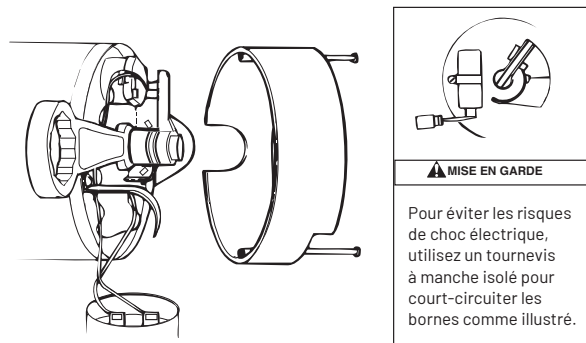


FIGURE 13 – IMMOBILISER L'ARBRE

3. Retirez le diffuseur (figure 12). L'impulseur exposé peut maintenant être nettoyé.
4. Si l'impulseur doit être remplacé, desserrez deux vis mécaniques et retirez le capot du moteur (figure 13).
5. **MISE EN GARDE LA TENSION DU CONDENSATEUR PEUT ÊTRE DANGEREUSE.** Pour décharger le condensateur, tenez le tournevis à manche isolé **PAR LE MANCHE** et effectuez un court-circuit dans les bornes du condensateur (figure 13). Ne touchez pas la lame métallique du tournevis ni les bornes du condensateur. En cas de doute, consultez un électricien qualifié.
6. Dévissez la pince du condensateur et retirez le condensateur. Ne débranchez pas les fils du condensateur du moteur.
7. Glissez une clé à fourche de 7/16 po derrière l'interrupteur à ressort qui se trouve sur le côté moteur de l'arbre. Immobilisez l'arbre du moteur avec une clé sur les méplats de l'arbre et dévissez la vis de l'impulseur (le cas échéant) en tournant dans le sens horaire (filetage à gauche) tout en regardant dans l'œillet de l'impulseur.
8. Dévissez l'impulseur tout en maintenant l'arbre en place en tournant dans le sens antihoraire tout en regardant dans l'œillet de l'impulseur.
9. Pour réinstaller, inversez les étapes 1 à 6 et suivez les instructions de la section « Réassemblage de la pompe ».

### RETIRER L'ANCIEN JOINT

1. Suivez les instructions de « Démontage de la pompe ».
2. Suivez les étapes 2 à 5 de la section « Nettoyage et remplacement de l'impulseur ».

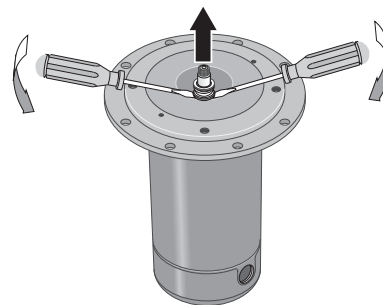


FIGURE 14 – RETIRER LA PLAQUE D'ÉTANCHÉITÉ

- Retirez la moitié tournante du joint en plaçant deux tournevis sous la bague d'étanchéité et en soulevant avec soin (figure 14).
- Retirez les écrous des goujons qui retiennent la plaque d'étanchéité au moteur. Faites glisser la plaque d'étanchéité de l'arbre avec précaution.

Assurez-vous de ne pas rayer ni abîmer l'arbre. Si l'arbre est abîmé, il devra être poncé légèrement avec un papier de verre ou de la toile à polir avant de poser un nouveau joint. NE réduisez PAS le diamètre de l'arbre!

- Placez la plaque d'étanchéité, face vers le bas, sur une surface plane et enlevez la moitié de la face stationnaire du joint en appuyant dessus (figure 15).

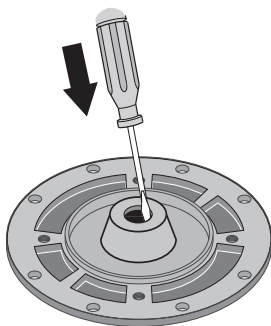


FIGURE 15 – RETIRER EN APPUYANT SUR LE JOINT

## INSTALLATION DU NOUVEAU JOINT

Les modèles de joints et joints toriques ne sont pas interchangeables. Assurez-vous d'installer le même type de joint d'étanchéité ou joint torique que vous avez retiré.

- Nettoyez la cavité du joint dans la plaque d'étanchéité.
- Avec du savon liquide, mouillez légèrement le bord de la coupelle en caoutchouc du siège en céramique.
- Placez une rondelle en carton propre sur la face du joint. La face polie du joint en céramique doit être orientée vers le haut. Pressez fermement le joint d'étanchéité en céramique directement dans la cavité en exerçant uniquement la pression de vos doigts.
- Si le joint ne repose toujours pas bien :
  - Retirez le joint en plaçant la face polie vers le haut sur le banc. Nettoyez à nouveau la cavité et l'installez comme décrit à l'étape précédente.
  - Si le joint ne repose toujours pas bien après avoir nettoyé la cavité à nouveau, placez une rondelle en carton par-dessus la face polie du joint et poussez-la avec un morceau de tuyau de 3/4 po en prenant soin de ne pas l'abîmer.
- Jetez la rondelle en carton et vérifiez à nouveau qu'il n'y a pas de saleté, de corps étrangers, de rayures ni de graisse sur la surface du joint.
- Vérifiez que l'arbre n'est pas ébréché ou égratigné.
- Réassemblez le corps de la pompe à la moitié de la bride du moteur. **ASSUREZ-VOUS** qu'il est bien à l'endroit.
- Appliquez un peu de savon liquide (une goutte suffit) sur le diamètre intérieur de la partie rotative du joint.

- Faites glisser la partie rotative du joint (face en carbone en premier) sur l'arbre jusqu'à ce que l'anneau d'entraînement en caoutchouc touche l'épaulement.

Assurez-vous de ne pas ébrécher ou égratigner la surface en carbone du joint en le passant par-dessus l'arbre fileté ou l'épaulement de l'arbre. La surface de carbone doit toujours être propre ou la durée de vie du joint sera réduite.

- Immobilisez l'arbre du moteur avec une clé à fourche de 7/16 po sur les méplats de l'arbre et vissez l'impulseur sur l'arbre. Assurez-vous de ne pas toucher les bornes du condensateur avec le corps ou un objet métallique. Le joint s'alignera correctement en serrant l'impulseur.

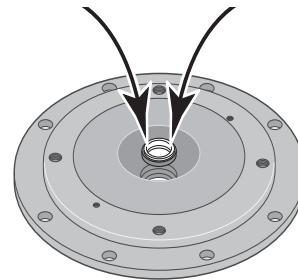


FIGURE 16 – POUSSER LE NOUVEAU JOINT EN PLACE

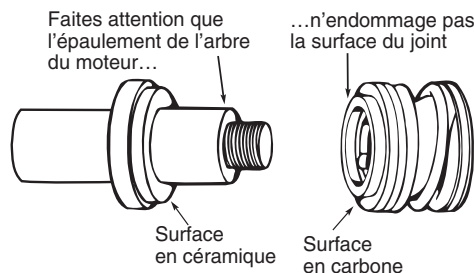


FIGURE 17 – PROTÉGER LES SURFACES DU JOINT

- Remplacez la vis de l'impulseur (si utilisée) en tournant dans le sens antihoraire (filetage à gauche) dans l'extrémité de l'arbre.
- Remontez le diffuseur sur la plaque d'étanchéité avec deux vis.
- Suivez les instructions du « Réassemblage de la pompe ».

## RÉASSEMBLAGE DE LA POMPE

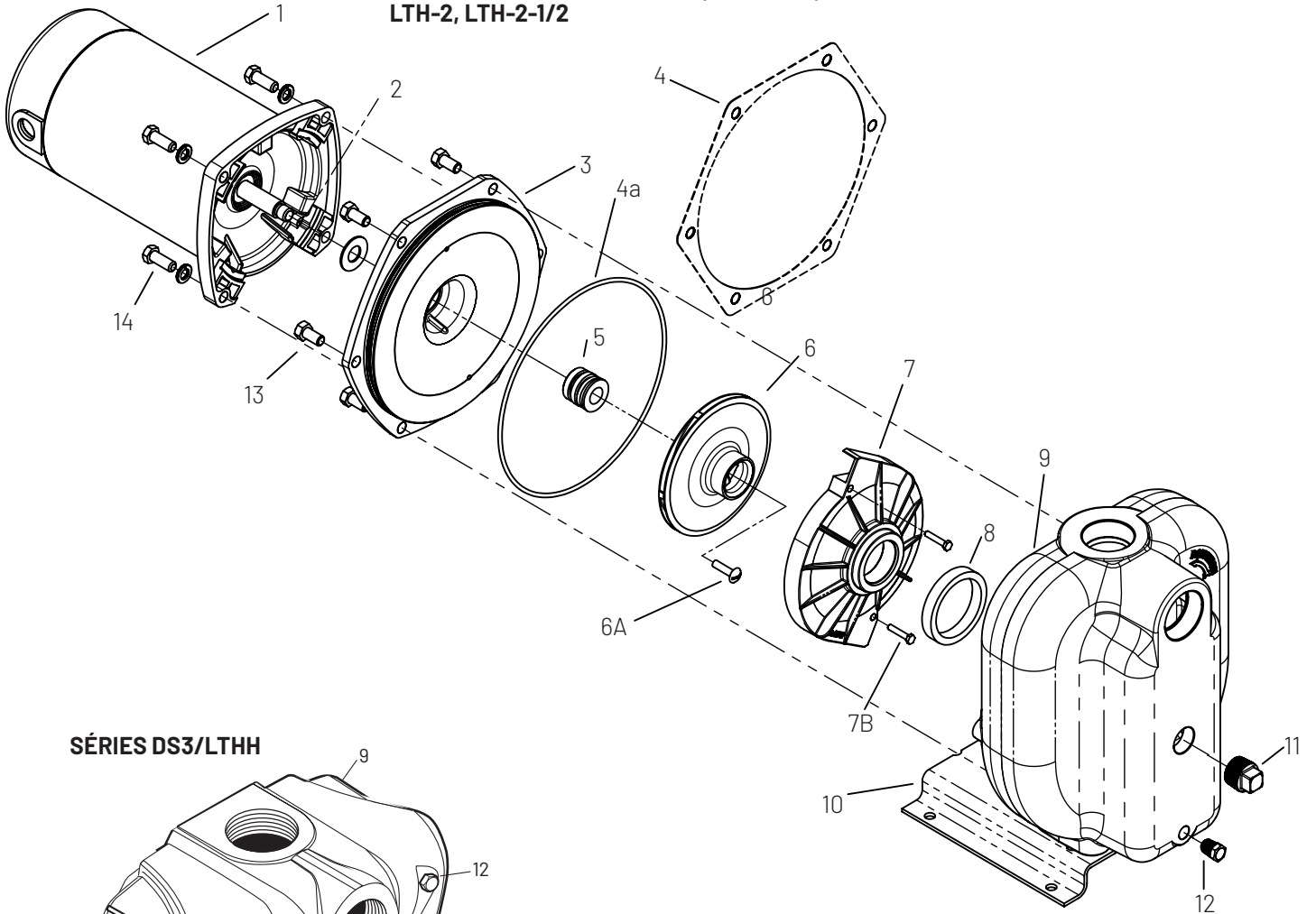
- Installez un nouveau joint d'étanchéité ou joint torique. Notez que vous devez remplacer le joint avec le même qui a été utilisé initialement pour la fabrication de la pompe.
- Faites glisser le moteur et la plaque d'étanchéité dans le corps de la pompe. Fixez avec les vis d'assemblage.
- Remplacez les boulons de montage de la base.
- Remplacez le câblage du moteur et fermez le robinet de vidange.
- Amorcez la pompe en suivant les instructions. Voir « Utilisation ».
- Vérifiez s'il y a des fuites.



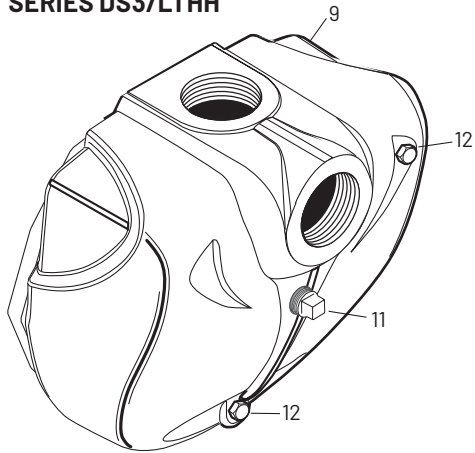
**PAGE LAISSÉE VIERGE INTENTIONNELLEMENT**

# PIÈCES DE RECHANGE

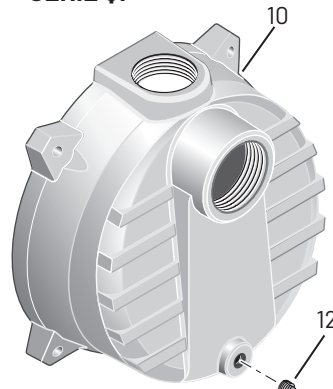
## SÉRIE DS2 ET MODÈLES LTH-1, LTH-1-1/2, LTH-2, LTH-2-1/2



## SÉRIES DS3/LTHH



## SÉRIE QP



# PIÈCES DE RECHANGE

## MODÈLES BERKELEY

| NUMÉRO | DESCRIPTION                                               | QTÉ | S40058/<br>S40061 | S40063/<br>S40065 | S40067/<br>S40069 | S40071        | 10LTHH/<br>10LTHH3 | 15LTHH/<br>15LTHH3 | 20LTHH/<br>20LTHH3 | 25LTHH/<br>25LTHH3 |
|--------|-----------------------------------------------------------|-----|-------------------|-------------------|-------------------|---------------|--------------------|--------------------|--------------------|--------------------|
|        |                                                           |     | 1HP               | 11/2HP            | 2HP               | 21/2HP        | 1HP                | 11/2HP             | 2HP                | 21/2HP             |
| 1      | Moteur - 115/230 V, monophasé                             | 1   | J218-1653         | J218-1655         | J218-1656         | J218-1657     | J218-1653          | J218-1655          | J218-1656          | J218-1657          |
| 1      | Moteur - 230/460 V, triphasé                              | 1   | AP100EL           | AP100FL           | AP100GL           | AP100G5L      | AP100EL            | AP100FL            | AP100GL            | AP100G5L           |
| 2      | Défecteur d'eau                                           | 1   | 17351-0009        | 17351-0009        | 17351-0009        | 17351-0009    | 17351-0009         | 17351-0009         | 17351-0009         | 17351-0009         |
| 3      | Plaque d'étanchéité                                       | 1   | C3-155-SR         | C3-155-SR         | C3-117            | C3-117        | C3-155-SR          | C3-155-SR          | C3-117             | C3-117             |
| 4      | Joint de plaque d'étanchéité                              | 1   | C20-86N           | C20-86N           | C20-87N           | C20-87N       | C20-86N            | C20-86N            | C20-87N            | C20-87N            |
| 4A     | Joint torique de la plaque d'étanchéité                   | 1   | 25276             | 25276             | 34516             | 34516         | 25276              | 25276              | 34516              | 34516              |
| 5      | Joint d'étanchéité de l'arbre                             | 1   | U109-6B           | U109-6B           | U109-6B           | U109-6B       | U109-6B            | U109-6B            | U109-6B            | U109-6B            |
| 6      | Impulseur - monophasé                                     | 1   | C105-92PKB        | C105-92PCB        | C105-214PDA       | C105-214PA    | C105-92PKB         | C105-92PC          | C105-214PDA        | C105-214PA         |
| 6      | Impulseur - triphasé                                      | 1   | C105-92PKBA       | C105-92PCBA       | C105-214PDA       | C105-214PA    | C105-92PKBA        | C105-92PCA         | C105-214PDA        | C105-214PA         |
| 6A     | Vis de l'impulseur - monophasé                            | 1   | -                 | -                 | C30-14SS          | C30-14SS      | -                  | -                  | C30-14SS           | C30-14SS           |
| 6A     | Vis de l'impulseur - triphasé                             | 1   | C30-14SS          | C30-14SS          | C30-14SS          | C30-14SS      | C30-14SS           | C30-14SS           | C30-14SS           | C30-14SS           |
| 7      | Diffuseur                                                 | 1   | C101-276P         | C101-276P         | C101-182          | C101-182      | C101-276P          | C101-276P          | C101-182           | C101-182           |
| 7A     | Vis de diffuseur - 1/4 - 20 x 1 po de longueur            | 2   | U30-696SS         | U30-696SS         | -                 | -             | U30-696SS          | U30-696SS          | -                  | -                  |
| 7A     | Vis de diffuseur - 8 - 32 x 7/8 po de longueur            | 2   | -                 | -                 | U30-53SS          | U30-53SS      | -                  | -                  | U30-53SS           | U30-53SS           |
| 8      | Bague du diffuseur                                        | 1   | C21-10            | C21-10            | C21-2             | C21-2         | C21-10             | C21-10             | C21-2              | C21-2              |
| 9      | Corps de la pompe                                         | 1   | C76-49B           | C76-49B           | C76-50            | C76-50        | C76-67E            | C76-67E            | C76-68E            | C76-68E            |
| 10     | Base                                                      | 1   | U4-5              | U4-5              | U4-5              | U4-5          | C4-82              | C4-82              | C4-82              | C4-82              |
| 11     | Bouchon de tuyau - 3/4 po tête carrée                     | 1   | U78-60ZPS         | U78-60ZPS         | U78-60ZPS         | U78-60ZPS     | U78-60ZPS          | U78-60ZPS          | U78-60ZPS          | U78-60ZPS          |
| 12     | Bouchon de tuyau - 1/4 po tête hexagonale                 | 2   | U78-941ZPV(1)     | U78-941ZPV(1)     | U78-941ZPV(1)     | U78-941ZPV(1) | U78-941ZPV         | U78-941ZPV         | U78-941ZPV         | U78-941ZPV         |
| 13     | Vis à tête hexagonale - 3/8 - 16 x 3/4 po de longueur     | 8   | U30-72ZP          | U30-72ZP          | -                 | -             | U30-72ZP           | U30-72ZP           | -                  | -                  |
| 13     | Vis à tête hexagonale - 5/16 po - 18 x 3/4 po de longueur | 8   | -                 | -                 | U30-60ZP          | U30-60ZP      | -                  | -                  | U30-60ZP           | U30-60ZP           |
| 14     | Vis à tête hexagonale - 3/8 - 16 x 11/4 po de longueur    | ( ) | U30-75ZP(4)       | U30-75ZP(4)       | -                 | -             | -                  | -                  | -                  | -                  |
| 14     | Vis à tête hexagonale - 3/8 - 16 x 1 po de longueur       | ( ) | -                 | U30-74ZP(4)       | U30-74ZP(4)       | U30-74ZP**(4) | U30-74ZP(2)        | U30-74ZP(2)        | U30-74ZP(4)        | U30-74ZP**(4)      |
| *      | Rondelle de blocage - 3/8 po                              | ( ) | U43-12ZP(8)       | U43-12ZP(8)       | U43-12ZP(8)       | U43-12ZP(8)   | U43-12ZP(2)        | U43-12ZP(2)        | U43-12ZP(2)        | U43-12ZP(2)        |

\* Non illustré

\*\* 25LTHH3 utilise U30-99S

# PIÈCES DE RECHANGE

## MODÈLES MYERS

| NUMÉRO | DESCRIPTION                                              | QTÉ | QP7             | QP10-01/<br>QP10B-01 | QP15-01/<br>QP15B-01 | QP20/ QP20-3    | QP30       | QP50B/<br>QP50B-3 |
|--------|----------------------------------------------------------|-----|-----------------|----------------------|----------------------|-----------------|------------|-------------------|
|        |                                                          |     | 3/4 HP          | 1 HP                 | 1 1/2 HP             | 2 HP            | 3 HP       | 5 HP              |
| 1      | Moteur - 115/230 V, monophasé                            | 1   | 20934A000-BK-KT | 20935A000-BK-01-KT   | 20589A000-BK-01-KT   | 20591A000-BK-KT | -          | -                 |
| 1      | Moteur - 230 V, monophasé                                | 1   | -               | -                    | -                    | -               | 20592A000K | 26579A000         |
| 1      | Moteur - 230/460 V, triphasé                             | 1   | -               | -                    | -                    | 20596A000K      | -          | C218-182BD-01     |
| 2      | Défecteur d'eau                                          | 1   | 17351-0009      | 17351-0009           | 17351-0009           | 17351-0009      | 17351-0009 | S12260            |
| 3      | Support                                                  | 1   | 20598D100W      | 20598D100W           | 20598D100W           | 20598D100W      | 20598D100W | 26545E000         |
| 4      | Joint de support                                         | 1   | 05014A167       | 05014A167            | 05014A167            | 05014A167       | 05014A167  | -                 |
| 4A     | Joint torique du support                                 | 1   | -               | -                    | -                    | -               | -          | 05876A138         |
| 5      | Joint d'étanchéité de l'arbre                            | 1   | 14525A000K      | 14525A000K           | 14525A000K           | 14525A000K      | 14525A000K | 21181A016K        |
| 6      | Impulseur - Composite                                    | 1   | -               | 20600B003            | 20601B003            | -               | -          | -                 |
| 6      | Impulseur - Laiton                                       | 1   | 20599B000K      | 20600B000K           | 20601B000K           | 20602B000K      | 20603B000K | 26546C000         |
| 6A     | Écrou de l'impulseur - impulseur en laiton               | 1   | U36-33SS        | U36-33SS             | U36-33SS             | U36-33SS        | U36-33SS   | 26583A000         |
| 7      | Diffuseur                                                | 1   | 20559D000K      | 20559D000K           | 20560D000K           | 20560D000K      | 20561D000K | 26547D000         |
| 7A     | Vis de diffuseur - 1/4 - 20 x 1-1/2 po de longueur       | 3   | 19099A014       | 19099A014            | 19099A014            | 19099A014       | 19099A014  | -                 |
| 7A     | Vis de diffuseur - 1/2 - 20 x 1 3/4 po de longueur       | 3   | -               | -                    | -                    | -               | -          | 19099A022         |
| 8      | Bague du diffuseur                                       | 1   | 05014A166       | 05014A166            | 05014A166            | 05014A166       | 05014A166  | 05876A059         |
| 9      | Corps de la pompe                                        | 1   | 20604D100W      | 20604D100W           | 20604D100W           | 20604D100W      | 20604D100W | 26544D000         |
| 10     | Base                                                     | 1   | -               | -                    | -                    | -               | -          | 26579B000         |
| 11     | Bouchon de tuyau - 3/4 po tête carrée                    | 1   | -               | -                    | -                    | -               | -          | -                 |
| 12     | Bouchon de tuyau - 1/4 po tête hexagonale                | 1   | U78-941ZPV      | U78-941ZPV           | U78-941ZPV           | U78-941ZPV      | U78-941ZPV | U78-941ZPV        |
| 13     | Vis à tête hexagonale - 7/16 - 14 x 1 1/2 po de longueur | 4   | 19102A012       | 19102A012            | 19102A012            | 19102A012       | 19102A012  | -                 |
| 13     | Vis à tête hexagonale - 3/8 - 16 x 1 3/4 po de longueur  | 4   | -               | -                    | -                    | -               | -          | S23625            |
| 14     | Vis à tête hexagonale - 3/8 - 16 x 7/8 po de longueur    | 4   | U30-73ZP        | U30-73ZP             | U30-73ZP             | U30-73ZP        | U30-73ZP   | -                 |
| 14     | Vis à tête hexagonale - 3/8 - 16 x 1 1/4 po de longueur  | 4   | -               | -                    | -                    | -               | -          | U30-74ZP          |
| *      | Rondelle d'arrêt, 3/8 po                                 | 4   | -               | -                    | -                    | -               | -          | U43-12ZP**        |

\* Non illustré

\*\* QP50B-3 utilise une quantité de 8

# PIÈCES DE RECHANGE

## MODÈLES STA-RITE

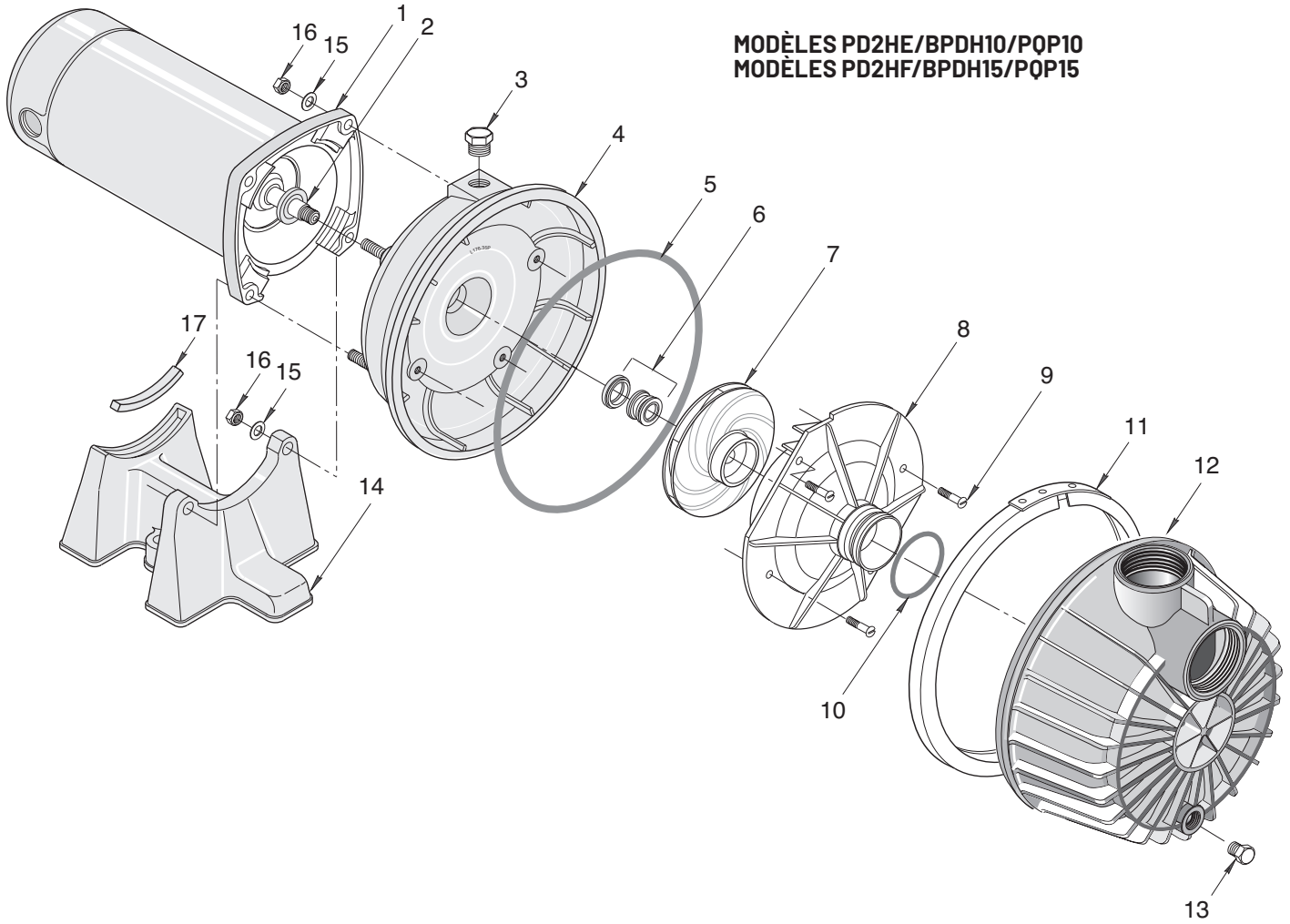
| NUMÉRO | DESCRIPTION                                            | QTÉ | DS2HE-191PL/<br>DS2HE3-191P | DS2HF-192PL/<br>DS2HF3-192P | DS2HG-102L/<br>DS2HG3-102 | DS2HHG-53L/<br>DS2HHG3-53 | DS3HE-01/<br>DS3HE3-01 | DS3HF-01/<br>DS3HF3-01 | DS3HG-01/<br>DS3HG3-01 | DS3HHG-01/<br>DS3HHG3-01 |
|--------|--------------------------------------------------------|-----|-----------------------------|-----------------------------|---------------------------|---------------------------|------------------------|------------------------|------------------------|--------------------------|
|        |                                                        |     | 1 HP                        | 1 1/2 HP                    | 2 HP                      | 2 1/2 HP                  | 1 HP                   | 1 1/2 HP               | 2 HP                   | 2 1/2 HP                 |
| 1      | Moteur - 115/230 V, monophasé                          | 1   | J218-1653                   | J218-1655                   | J218-1656                 | J218-1657                 | J218-1653              | J218-1655              | J218-1656              | J218-1657                |
| 1      | Moteur - 230/460 V, triphasé                           | 1   | AP100EL                     | AP100FL                     | AP100GL                   | AP100G5L                  | AP100EL                | AP100FL                | AP100GL                | AP100G5L                 |
| 2      | Défecteur d'eau                                        | 1   | 17351-0009                  | 17351-0009                  | 17351-0009                | 17351-0009                | 17351-0009             | 17351-0009             | 17351-0009             | 17351-0009               |
| 3      | Plaque d'étanchéité                                    | 1   | C3-155-SR                   | C3-155-SR                   | C3-117                    | C3-117                    | C3-155-SR              | C3-155-SR              | C3-117                 | C3-117                   |
| 4      | Joint de plaque d'étanchéité                           | 1   | C20-86N                     | C20-86N                     | C20-87N                   | C20-87N                   | C20-86N                | C20-86N                | C20-87N                | C20-87N                  |
| 4A     | Joint torique de la plaque d'étanchéité                | 1   | 25276                       | 25276                       | 34516                     | 34516                     | 25276                  | 25276                  | 34516                  | 34516                    |
| 5      | Joint d'étanchéité de l'arbre                          | 1   | U109-6B                     | U109-6B                     | U109-6B                   | U109-6B                   | U109-6B                | U109-6B                | U109-6B                | U109-6B                  |
| 6      | Impulseur - monophasé                                  | 1   | C105-92PKB                  | C105-92PCB                  | C105-214PDA               | C105-214PA                | C105-92PKB             | C105-92PC              | C105-214PDA            | C105-214PA               |
| 6      | Impulseur - triphasé                                   | 1   | C105-92PKBA                 | C105-92PCBA                 | C105-214PDA               | C105-214PA                | C105-92PKBA            | C105-92PCA             | C105-214PDA            | C105-214PA               |
| 6A     | Vis de l'impulseur - monophasé                         | 1   | -                           | -                           | C30-14SS                  | C30-14SS                  | -                      | -                      | C30-14SS               | C30-14SS                 |
| 6A     | Vis de l'impulseur - triphasé                          | 1   | C30-14SS                    | C30-14SS                    | C30-14SS                  | C30-14SS                  | C30-14SS               | C30-14SS               | C30-14SS               | C30-14SS                 |
| 7      | Diffuseur                                              | 1   | C101-276P                   | C101-276P                   | C101-182                  | C101-182                  | C101-276P              | C101-276P              | C101-182               | C101-182                 |
| 7A     | Vis de diffuseur - 1/4 - 20 x 1 po de longueur         | 2   | U30-696SS                   | U30-696SS                   | -                         | -                         | U30-696SS              | U30-696SS              | -                      | -                        |
| 7A     | Vis de diffuseur - 8 - 32 x 7/8 po de longueur         | 2   | -                           | -                           | U30-53SS                  | U30-53SS                  | -                      | -                      | U30-53SS               | U30-53SS                 |
| 8      | Bague du diffuseur                                     | 1   | C21-10                      | C21-10                      | C21-2                     | C21-2                     | C21-10                 | C21-10                 | C21-2                  | C21-2                    |
| 9      | Corps de la pompe                                      | 1   | C76-49B                     | C76-49B                     | C76-50                    | C76-50                    | C76-67E                | C76-67E                | C76-68E                | C76-68E                  |
| 10     | Base                                                   | 1   | U4-5                        | U4-5                        | U4-5                      | U4-5                      | C4-82                  | C4-82                  | C4-82                  | C4-82                    |
| 11     | Bouchon de tuyau - 3/4 po tête carrée                  | 1   | U78-60ZPS                   | U78-60ZPS                   | U78-60ZPS                 | U78-60ZPS                 | U78-60ZPS              | U78-60ZPS              | U78-60ZPS              | U78-60ZPS                |
| 12     | Bouchon de tuyau - 1/4 po tête hexagonale              | ( ) | U78-941ZPV (1)              | U78-941ZPV (1)              | U78-941ZPV (1)            | U78-941ZPV (1)            | U78-941ZPV (2)         | U78-941ZPV (2)         | U78-941ZPV (2)         | U78-941ZPV (2)           |
| 13     | Vis à tête hexagonale - 3/8 - 16 x 3/4 po de longueur  | 6   | U30-72ZP                    | U30-72ZP                    | -                         | -                         | U30-72ZP               | U30-72ZP               | -                      | -                        |
| 13     | Vis à tête hexagonale - 5/16 - 18 x 3/4 po de longueur | 8   | -                           | -                           | U30-60ZP                  | U30-60ZP                  | -                      | -                      | U30-60ZP               | U30-60ZP                 |
| 14     | Vis à tête hexagonale - 3/8 - 16 x 1 po de longueur    | ( ) | U30-74ZP (4)                | U30-74ZP (4)                | U30-74ZP (4)              | U30-74ZP** (4)            | U30-74ZP (2)           | U30-74ZP (2)           | U30-74ZP (4)           | U30-74ZP** (4)           |
| *      | Rondelle de blocage - 3/8 po                           | ( ) | U43-12ZP (8)                | U43-12ZP (8)                | U43-12ZP (8)              | U43-12ZP (8)              | U43-12ZP (2)           | U43-12ZP (2)           | U43-12ZP (2)           | U43-12ZP (2)             |

\* Non illustré

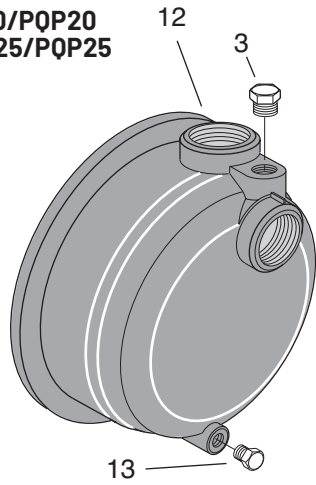
\*\* DS2HHG3-53L et DS3HHG3-01 utilisent U30-99S

# PIÈCES DE RECHANGE

MODÈLES PD2HE/BPDH10/PQP10  
MODÈLES PD2HF/BPDH15/PQP15



MODÈLES PDHG/BPDH20/PQP20  
MODÈLES PDHHG/BPDH25/PQP25



# PIÈCES DE RECHANGE

## MODÈLES BERKELEY

| NUMÉRO | DESCRIPTION                                                      | QTÉ | BPDH10-L   | BPDH15-L    | BPDH20-L    | BPDH25-L    |
|--------|------------------------------------------------------------------|-----|------------|-------------|-------------|-------------|
|        |                                                                  |     | 1 HP       | 1 1/2 HP    | 2 HP        | 2 1/2 HP    |
| 1      | Moteur                                                           | 1   | J218-1653  | J218-1655   | J218-1656   | J218-1657   |
| 2      | Défecteur d'eau                                                  | 1   | 17351-0009 | 17351-0009  | 17351-0009  | 17351-0009  |
| 3      | Bouchon d'amorçage, 1/2 po NPT                                   | 1   | WC78-39T   | WC78-39T    | WC78-39T    | WC78-39T    |
| 4      | Plaque d'étanchéité                                              | 1   | L176-47P1  | L176-47P1   | C3-189P1    | C3-189P1    |
| 5      | Joint torique de la plaque d'étanchéité                          | 1   | U9-399     | U9-399      | U9-228A     | U9-228A     |
| 6      | Joint d'étanchéité de l'arbre                                    | 1   | U109-6B    | U109-6B     | U109-6B     | U109-6B     |
| 7      | Impulseur                                                        | 1   | C105-92PVB | C105-92PBBB | C105-214PFA | C105-214PGA |
| *      | Vis de l'impulseur - 1/4 - 20 x 1 1/4 po de longueur             | 1   | -          | -           | C30-51SS    | C30-51SS    |
| 8      | Diffuseur                                                        | 1   | C1-258PCA  | C1-258PCA   | C1-274P     | C1-274P     |
| 9      | Vis de diffuseur - 1/4 - 20 x 1 po de longueur                   | 4   | U30-997SS  | U30-997SS   | -           | -           |
| 9      | Vis de diffuseur - 8 - 32 x 7/8 po de longueur                   | 2   | -          | -           | U30-996SS   | U30-996SS   |
| 10     | Bague du diffuseur                                               | 1   | U9-226     | U9-226      | U9-393      | U9-393      |
| 11     | Pince « V »                                                      | 1   | C19-54SS   | C19-54SS    | C19-37A     | C19-37A     |
| 12     | Corps de la pompe                                                | 1   | C176-66P   | C176-66P    | C176-62P    | C176-62P    |
| 13     | Bouchon de vidange, 1/4 po NPT                                   | 1   | WC78-40T   | WC78-40T    |             |             |
| 14     | Base                                                             | 1   | C4-42P     | C4-42P      | C4-42P      | C4-42P      |
| 15     | Rondelle                                                         | 2   | U43-61ZP   | U43-61ZP    | U43-42SS    | U43-42SS    |
| 16     | Écrou                                                            | 4   | U36-37ZP   | U36-37ZP    | -           | -           |
| 17     | Coussinet en caoutchouc                                          | 1   | C35-11     | C35-11      | C35-11      | C35-11      |
| *      | Vis à tête hexagonale - 3/8 - 16 x 1 3/4 po de longueur (dessus) | 2   | -          | -           | U30-77SS    | U30-77SS    |
| *      | Vis à tête hexagonale - 3/8 - 16 x 1 po de longueur (dessous)    | 2   | -          | -           | U30-74SS    | U30-74SS    |

\* Non illustré

# PIÈCES DE RECHANGE

## MODÈLES MYERS

| NUMÉRO | DESCRIPTION                                                      | QTÉ | PQP10      | PQP15       | PQP20       | PQP25       |
|--------|------------------------------------------------------------------|-----|------------|-------------|-------------|-------------|
|        |                                                                  |     | 1 HP       | 1 1/2 HP    | 2 HP        | 2 1/2 HP    |
| 1      | Moteur                                                           | 1   | J218-1653  | J218-1655   | J218-1656   | J218-1657   |
| 2      | Défecteur d'eau                                                  | 1   | 17351-0009 | 17351-0009  | 17351-0009  | 17351-0009  |
| 3      | Bouchon d'amorçage, 1/2 po NPT                                   | 1   | WC78-39T   | WC78-39T    | WC78-39T    | WC78-39T    |
| 4      | Plaque d'étanchéité                                              | 1   | L176-47P1  | L176-47P1   | C3-189P1    | C3-189P1    |
| 5      | Joint torique de la plaque d'étanchéité                          | 1   | U9-399     | U9-399      | U9-228A     | U9-228A     |
| 6      | Joint d'étanchéité de l'arbre                                    | 1   | U109-6B    | U109-6B     | U109-6B     | U109-6B     |
| 7      | Impulseur                                                        | 1   | C105-92PVB | C105-92PBBB | C105-214PFA | C105-214PGA |
| *      | Vis de l'impulseur - 1/4 - 20 x 1 1/4 po de longueur             | 1   | -          | -           | C30-51SS    | C30-51SS    |
| 8      | Diffuseur                                                        | 1   | C1-258PCA  | C1-258PCA   | C1-274P     | C1-274P     |
| 9      | Vis de diffuseur - 1/4 - 20 x 1 po de longueur                   | 4   | U30-997SS  | U30-997SS   | -           | -           |
| 9      | Vis de diffuseur - 8 - 32 x 7/8 po de longueur                   | 2   | -          | -           | U30-996SS   | U30-997SS   |
| 10     | Bague du diffuseur                                               | 1   | U9-226     | U9-226      | U9-393      | U9-393      |
| 11     | Pince « V »                                                      | 1   | C19-54SS   | C19-54SS    | C19-37A     | C19-37A     |
| 12     | Corps de la pompe                                                | 1   | C176-53P   | C176-53P    | C176-62P    | C176-62P    |
| 13     | Bouchon de vidange, 1/4 po NPT                                   | 1   | WC78-40T   | WC78-40T    |             |             |
| 14     | Base                                                             | 1   | C4-42P     | C4-42P      | C4-42P      | C4-42P      |
| 15     | Rondelle                                                         | 2   | U43-61ZP   | U43-61ZP    | U43-42SS    | U43-42SS    |
| 16     | Écrou                                                            | 4   | U36-37ZP   | U36-37ZP    | -           | -           |
| 17     | Coussinet en caoutchouc                                          | 1   | C35-11     | C35-11      | C35-11      | C35-15      |
| *      | Vis à tête hexagonale - 3/8 - 16 x 1 3/4 po de longueur (dessus) | 2   | -          | -           | U30-77SS    | U30-77SS    |
| *      | Vis à tête hexagonale - 3/8 - 16 x 1 po de longueur (dessous)    | 2   | -          | -           | U30-74SS    | U30-74SS    |

\* Non illustré



# PIÈCES DE RECHANGE

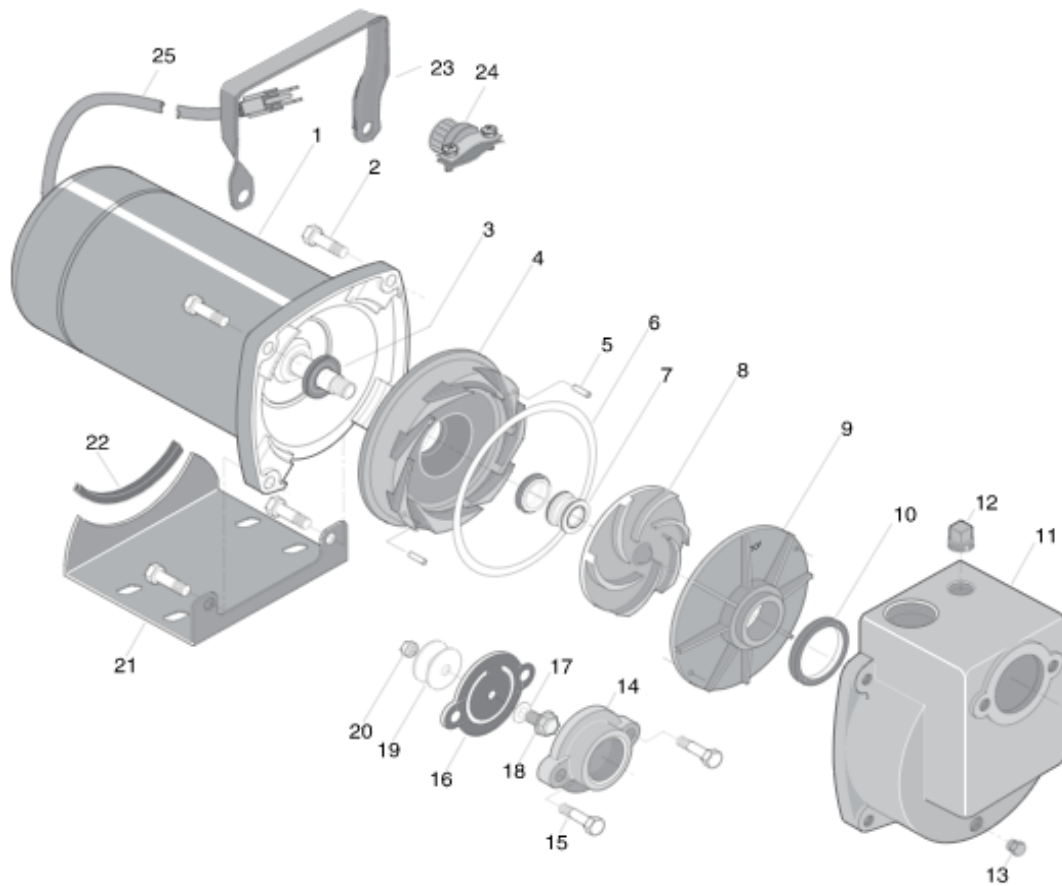
## MODÈLES STA-RITE

| NUMÉRO | DESCRIPTION                                                      | QTÉ | PD2HE-L    | PD2HF-L     | PDHG-L      | PDHGG-L     |
|--------|------------------------------------------------------------------|-----|------------|-------------|-------------|-------------|
|        |                                                                  |     | 1 HP       | 1 1/2 HP    | 2 HP        | 2 1/2 HP    |
| 1      | Moteur                                                           | 1   | J218-1653  | J218-1655   | J218-1656   | J218-1657   |
| 2      | Défecteur d'eau                                                  | 1   | 17351-0009 | 17351-0009  | 17351-0009  | 17351-0009  |
| 3      | Bouchon d'amorçage, 1/2 po NPT                                   | 1   | WC78-39T   | WC78-39T    | WC78-39T    | WC78-39T    |
| 4      | Plaque d'étanchéité                                              | 1   | L176-47P1  | L176-47P1   | C3-189P1    | C3-189P1    |
| 5      | Joint torique de la plaque d'étanchéité                          | 1   | U9-399     | U9-399      | U9-228A     | U9-228A     |
| 6      | Joint d'étanchéité de l'arbre                                    | 1   | U109-6B    | U109-6B     | U109-6B     | U109-6B     |
| 7      | Impulseur                                                        | 1   | C105-92PVB | C105-92PBBB | C105-214PFA | C105-214PGA |
| *      | Vis de l'impulseur - 1/4 - 20 x 1 1/4 po de longueur             | 1   | -          | -           | C30-51SS    | C30-51SS    |
| 8      | Diffuseur                                                        | 1   | C1-258PCA  | C1-258PCA   | C1-274P     | C1-274P     |
| 9      | Vis de diffuseur - 1/4 - 20 x 1 po de longueur                   | 4   | U30-997SS  | U30-997SS   | -           | -           |
| 9      | Vis de diffuseur - 8 - 32 x 7/8 po de longueur                   | 2   | -          | -           | U30-996SS   | U30-996SS   |
| 10     | Bague du diffuseur                                               | 1   | U9-226     | U9-226      | U9-393      | U9-393      |
| 11     | Pince « V »                                                      | 1   | C19-54SS   | C19-54SS    | C19-37A     | C19-37A     |
| 12     | Corps de la pompe                                                | 1   | C176-66P   | C176-66P    | C176-62P    | C176-62P    |
| 13     | Bouchon de vidange, 1/4 po NPT                                   | 1   | WC78-40T   | WC78-40T    |             |             |
| 14     | Base                                                             | 1   | C4-42P     | C4-42P      | C4-42P      | C4-42P      |
| 15     | Rondelle                                                         | 2   | U43-61ZP   | U43-61ZP    | U43-42SS    | U43-42SS    |
| 16     | Écrou                                                            | 4   | U36-37ZP   | U36-37ZP    | -           | -           |
| 17     | Coussinet en caoutchouc                                          | 1   | C35-11     | C35-11      | C35-11      | C35-11      |
| *      | Vis à tête hexagonale - 3/8 - 16 x 1 3/4 po de longueur (dessus) | 2   | -          | -           | U30-77SS    | U30-77SS    |
| *      | Vis à tête hexagonale - 3/8 - 16 x 1 po de longueur (dessous)    | 2   | -          | -           | U30-74SS    | U30-74SS    |

\* Non illustré

# PIÈCES DE RECHANGE

## MODÈLES MDPC ET DPC



# PIÈCES DE RECHANGE

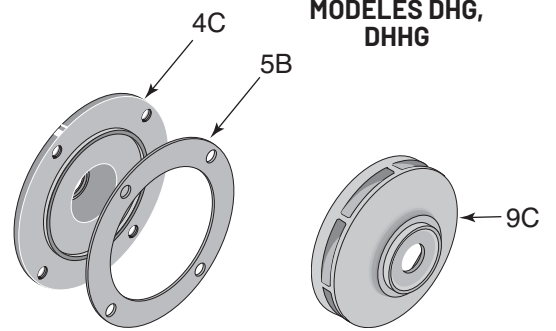
## MODÈLES MYERS

| NUMÉRO | DESCRIPTION                                | QTÉ | MDPC          |
|--------|--------------------------------------------|-----|---------------|
|        |                                            |     | 1/2 HP        |
| 1      | Moteur                                     | 1   | J218-1651-115 |
| 2      | Vis à tête hexagonale - 3/8 po - 16 x 1 po | 4   | U30-76ZP      |
| 3      | Défecteur d'eau                            | 1   | 17351-0009    |
| 4      | Diffuseur pour plaque d'étanchéité         | 1   | C3-120        |
| 5      | Goupille cylindrique 3/32 x 5/16 po        | 2   | U30-522SS     |
| 6      | Joint de plaque d'étanchéité               | 1   | N20-35N       |
| 7      | Joint d'étanchéité de l'arbre              | 1   | U109-6B       |
| 8      | Impulseur                                  | 1   | C5-184P       |
| 9      | Couvercle du diffuseur                     | 1   | C6-47P        |
| 10     | Bague du diffuseur                         | 1   | C21-11        |
| 11     | Corps de la pompe                          | 1   | C76-41        |
| 12     | Bouchon de tuyau - 1/2 po tête carrée      | 1   | U78-59ZPS     |
| 13     | Bouchon de tuyau - 1/4 po tête hexagonale  | 1   | U78-941ZPV    |
| 14     | Bride - 1 1/4 po NPT                       | 1   | PW16-4        |
| 15     | Vis à tête hexagonale - 3/8-16 x 1 po      | 2   | U30-74ZP      |
| 16     | Clapet de non-retour de l'obturateur       | 1   | PW22-1        |
| 17     | Rondelle                                   | 1   | U43-41SS      |
| 18     | Vis à tête hexagonale - 1/4-20 po x 3/4 po | 1   | 37006-4652    |
| 19     | Rondelle                                   | 2   | U43-138ZP     |
| 20     | Écrou hexagonal - 1/4-20                   | 1   | U36-36ZP      |
| 21     | Base                                       | 1   | J104-9F       |
| 22     | Coussinet en caoutchouc                    | 1   | C35-5S        |
| 23     | Poignée                                    | 1   | C54-21        |
| 24     | Réduction de tension                       | 1   | U71-7         |
| 25     | Câble                                      | 1   | U17-402       |

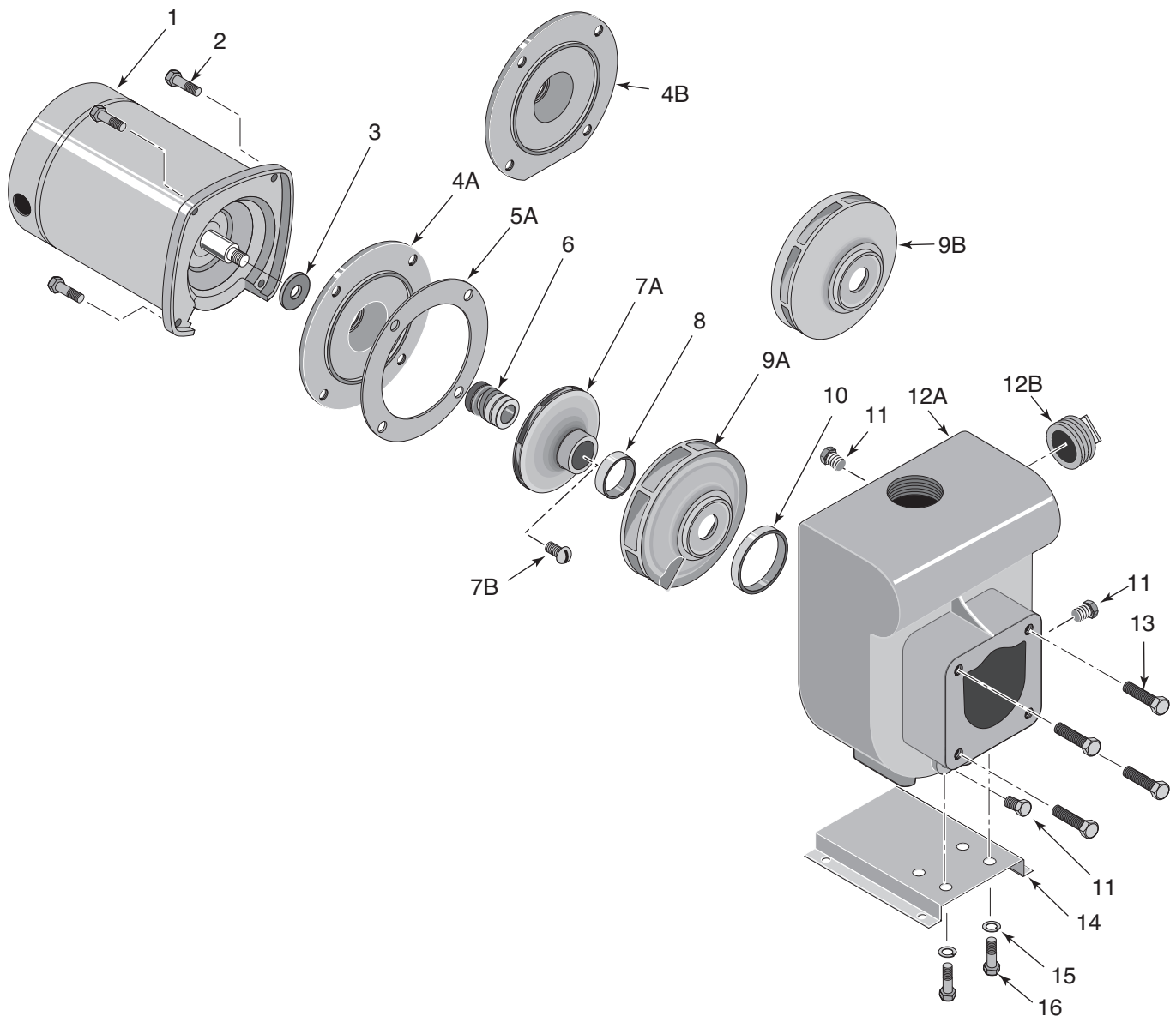
## MODÈLES STA-RITE

| NUMÉRO | DESCRIPTION                                | QTÉ | DPC           |
|--------|--------------------------------------------|-----|---------------|
|        |                                            |     | 1/2 HP        |
| 1      | Moteur                                     | 1   | J218-1651-115 |
| 2      | Vis à tête hexagonale - 3/8 po - 16 x 1 po | 4   | U30-76ZP      |
| 3      | Défecteur d'eau                            | 1   | 17351-0009    |
| 4      | Diffuseur pour plaque d'étanchéité         | 1   | C3-120        |
| 5      | Goupille cylindrique 3/32 x 5/16 po        | 2   | U30-522SS     |
| 6      | Joint de plaque d'étanchéité               | 1   | N20-35N       |
| 7      | Joint d'étanchéité de l'arbre              | 1   | U109-6B       |
| 8      | Impulseur                                  | 1   | C5-184P       |
| 9      | Couvercle du diffuseur                     | 1   | C6-47P        |
| 10     | Bague du diffuseur                         | 1   | C21-11        |
| 11     | Corps de la pompe                          | 1   | C76-41        |
| 12     | Bouchon de tuyau - 1/2 po tête carrée      | 1   | U78-59ZPS     |
| 13     | Bouchon de tuyau - 1/4 po tête hexagonale  | 1   | U78-941ZPV    |
| 14     | Bride - 1 1/4 po NPT                       | 1   | PW16-4        |
| 15     | Vis à tête hexagonale - 3/8-16 x 1 po      | 2   | U30-74ZP      |
| 16     | Clapet de non-retour de l'obturateur       | 1   | PW22-1        |
| 17     | Rondelle                                   | 1   | U43-41SS      |
| 18     | Vis à tête hexagonale - 1/4-20 po x 3/4 po | 1   | 37006-4652    |
| 19     | Rondelle                                   | 2   | U43-138ZP     |
| 20     | Écrou hexagonal - 1/4-20                   | 1   | U36-36ZP      |
| 21     | Base                                       | 1   | J104-9F       |
| 22     | Coussinet en caoutchouc                    | 1   | C35-5S        |
| 23     | Poignée                                    | 1   | C54-21        |
| 24     | Réduction de tension                       | 1   | U71-7         |
| 25     | Câble                                      | 1   | U17-402       |

MODÈLES DHG,  
DHHG



MODÈLES DHE, DHF, DMG, DMMG



# PIÈCES DE RECHANGE

## MODÈLES STA-RITE

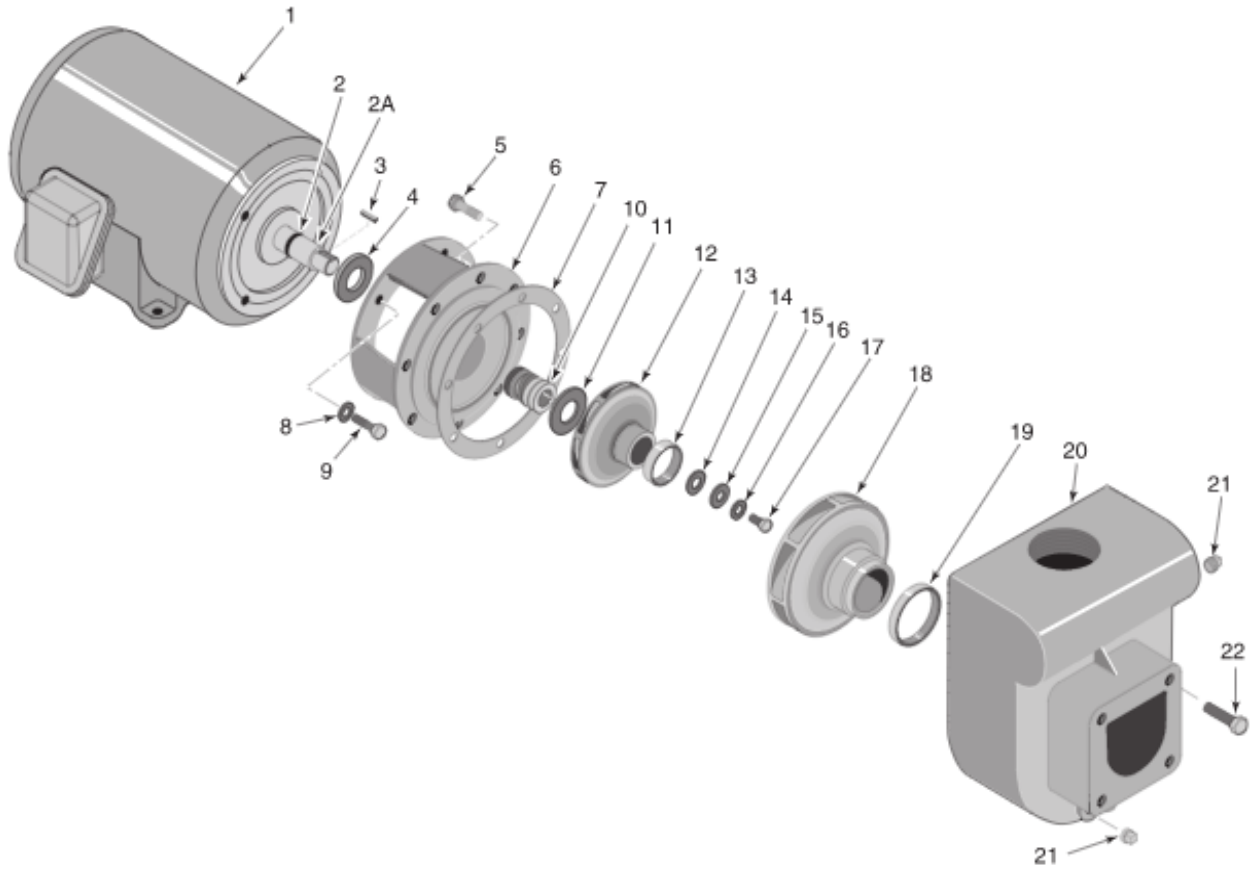
| NUMÉRO | DESCRIPTION                                    | QTÉ | DHE3-50 /<br>DHE-50L | DHF-51L/<br>DHF3-51 | DHG-52L/<br>DHG3-52 | DMG-41L/<br>DMG3-41 | DHHG-53L/<br>DHHG3-53 | DMMG-42L/<br>DMMG3-42 |
|--------|------------------------------------------------|-----|----------------------|---------------------|---------------------|---------------------|-----------------------|-----------------------|
|        |                                                |     | 3/4 HP               | 1 HP                | 1 1/2 HP            | 2 HP                | 3 HP                  | 5 HP                  |
| 1      | Moteur - 115/230 V monophasé                   | 1   | J218-1653            | J218-1655           | J218-1656           | J218-1656           | J218-1657             | J218-1657             |
| 1      | Moteur - 230 V, monophasé                      | 1   | -                    | -                   | -                   | -                   | -                     | -                     |
| 1      | Moteur - 230/460 V, triphasé                   | 1   | AP100EL              | AP100FL             | AP100GL             | AP100GL             | AP100G5L              | AP100G5L              |
| 2      | Vis à tête hexagonale - 3/8 po - 16 x 1 1/4 po | 4   | U30-75ZP             | U30-75ZP            | -                   | U30-75ZP            | -                     | U30-75ZP              |
| 2      | Vis à tête hexagonale - 3/8 - 16 x 1 po        | 4   | -                    | -                   | U30-74ZP            | -                   | U30-74ZP              | -                     |
| 3      | Défecteur d'eau                                | 1   | 17351-0009           | 17351-0009          | 17351-0009          | 17351-0009          | 17351-0009            | 17351-0009            |
| 4A     | Plaque d'étanchéité                            | 1   | -                    | -                   | -                   | C3-23               | -                     | C3-23                 |
| 4B     | Plaque d'étanchéité                            | 1   | C3-52                | C3-52               | -                   | -                   | -                     | -                     |
| 4C     | Plaque d'étanchéité                            | 1   | -                    | -                   | C3-35               | -                   | C3-35                 | -                     |
| 5A     | Joint de plaque d'étanchéité                   | 1   | C20-21N              | C20-21N             | -                   | C20-21N             | -                     | C20-21N               |
| 5B     | Joint de plaque d'étanchéité                   | 1   | -                    | -                   | C20-46B             | -                   | C20-46B               | -                     |
| 6      | Joint d'étanchéité de l'arbre                  | 1   | U109-6B              | U109-6B             | U109-6B             | U109-6B             | U109-6B               | U109-6A               |
| 7A     | Impulseur - monophasé                          | 1   | C105-92PLC           | C105-92PBJ          | C105-214PCA         | C105-114PNGA        | C105-214PA            | C105-80EA             |
| 7A     | Impulseur - triphasé                           | 1   | C105-92PLXA          | C105-92PBXA         | C105-214PCA         | C105-114PNGA        | C105-214PA            | C105-80EA             |
| 7B     | Vis de l'impulseur                             | 1   | C30-14SS*            | C30-14SS*           | C30-14SS            | C30-14SS            | C30-14SS              | C30-14SS              |
| 8      | Collerette d'étanchéité                        | 1   | C23-27               | C23-27              | C23-19              | C23-32D             | C23-19                | C23-32D               |
| 9A     | Diffuseur (comprend la clé numéro 8)           | 1   | -                    | -                   | -                   | C101-56C            | -                     | C101-72               |
| 9B     | Diffuseur (comprend la clé numéro 8)           | 1   | C101-212B            | C101-212B           | -                   | -                   | -                     | -                     |
| 9C     | Diffuseur (comprend la clé numéro 8)           | 1   | -                    | -                   | C101-77             | -                   | C101-77               | -                     |
| 10     | Bague du diffuseur                             | 1   | C21-2                | C21-2               | C21-2               | C21-2               | C21-2                 | C21-2                 |
| 11     | Bouchon de tuyau - 1/4 po, NPT                 | ( ) | U78-941ZPV(4)        | U78-941ZPV(4)       | U78-941ZPV(2)       | U78-941ZPV(4)       | U78-941ZPV(2)         | U78-941ZPV(4)         |
| 12A    | Corps de la pompe                              | 1   | C76-1J               | C76-1J              | C76-12              | C76-1J              | C76-12                | C76-1L                |
| 12B    | Bouchon de tuyau - 1 1/2 po NPT                | 1   | U78-63GPS            | U78-63GPS           | -                   | U78-63GPS           | -                     | U78-63GPS             |
| 13     | Vis à tête hexagonale - 5/16 - 18 x 3/4 po     | 4   | U30-60ZP             | U30-60ZP            | U30-60ZP            | U30-60ZP            | U30-60ZP              | U30-60ZP              |
| 14     | Base                                           | 1   | U4-5                 | U4-5                | U4-5                | U4-5                | U4-5                  | U4-5                  |
| 15     | Rondelle de blocage - 3/8 po                   | ( ) | U43-12ZP(4)          | U43-12ZP(4)         | U43-12ZP(2)         | U43-12ZP(4)         | U43-12ZP(2)           | U43-12ZP(4)           |
| 16     | Vis à tête hexagonale - 3/8 - 16 x 3/4 po      | ( ) | U30-72ZP(2)          | U30-72ZP(2)         | U30-72ZP(10)        | U30-72ZP(2)         | U30-72ZP(10)          | U30-72ZP(2)           |

\* triphasé seulement

# PIÈCES DE RECHANGE

MODÈLES BERKELEY S40100, S40099, 40102, S40103, S40094, S40093, S40097, S40096

MODÈLES STA-RITE DMH-171, DMH3-171, DM2H3-17, MJ-172, DMJ3-172, DM2J-172, DM2J3-172, DHH-169, DHH3-169, DH2H-112, DH2H3-112, DH2H3-169, DHJ-170, DHJ3-170, H2J-113, DH2J3-170



# PIÈCES DE RECHANGE

## MODÈLES BERKELEY

| NUMÉRO | DESCRIPTION                                         | QTÉ | S40100, S40099 | S40102/S40103 | S40094/S40093 | S40097/S40096 |
|--------|-----------------------------------------------------|-----|----------------|---------------|---------------|---------------|
|        |                                                     |     | 3 HP           | 5 HP          | 3 HP          | 5 HP          |
| 1      | Moteur - 230 V, 60 Hz, monophasé                    | 1   | C218-177       | C218-180      | C218-177      | C218-180      |
| 1      | Moteur - 230/460 V, 60 Hz, triphasé                 | 1   | C218-179       | C218-182      | C218-179      | C218-182      |
| 1      | Moteur - 200 V, 60 Hz, monophasé                    | 1   | -              | C218-192      | C218-191      | C218-192      |
| 1      | Moteur - 200 V, 60 Hz, triphasé                     | 1   | C218-178       | C218-181      | C218-178      | C218-181      |
| 2      | Joint torique                                       | 1   | U9-265         | U9-265        | U9-265        | U9-265        |
| 2A     | Manchon                                             | 1   | C23-58         | C23-58        | C23-58        | C23-58        |
| 3      | Clé - carré                                         | 1   | U65-42A        | U65-42A       | U65-42A       | U65-42A       |
| 4      | Défecteur d'eau - monophasé                         | 1   | C69-15         | C69-15        | C69-15        | C69-15        |
| 4      | Défecteur d'eau - 230/460 V, triphasé               | 1   | C69-16         | C69-15        | C69-16        | C69-15        |
| 4      | Défecteur d'eau - 200 V, triphasé                   | 1   | C69-15         | C69-15        | C69-15        | C69-15        |
| 5      | Vis d'assemblage - 3/8 - 16 x 7/8 po de longueur    | 8   | U30-73ZP       | U30-73ZP      | U30-73ZP      | U30-73ZP      |
| 6      | Adaptateur                                          | 1   | C2-66          | C2-66         | C2-66         | C2-66         |
| 7      | Joint - Adaptateur                                  | 1   | C20-46B        | C20-46        | C20-46        | C20-46        |
| 8      | Rondelle de blocage - 3/8 po                        | 6   | U43-12ZP       | U43-12ZP      | U43-12ZP      | U43-12ZP      |
| 9      | Vis à tête hexagonale - 3/8 - 16 x 1 po de longueur | 4   | U30-74ZP       | U30-73ZP      | U30-73ZP      | U30-73ZP      |
| 10     | Joint d'étanchéité de l'arbre                       | 1   | U109-433SS     | U109-433SS    | U109-433SS    | U109-433SS    |
| 11     | Joint d'étanchéité                                  | 1   | C20-101        | C20-101       | C20-101       | C20-101       |
| 12     | Impulseur                                           | 1   | C5-246         | C5-247        | C5-248        | C5-249        |
| 13     | Collerette d'étanchéité                             | 1   | J23-5          | C23-14        | J23-5         | J23-5         |
| 14     | Joint d'étanchéité                                  | 1   | C20-100        | C20-100       | C20-100       | C20-100       |
| 15     | Rondelle - impulseur                                | 1   | C43-45SS       | C43-45SS      | C43-45SS      | C43-45SS      |
| 16     | Joint d'étanchéité                                  | 1   | C43-46         | C43-46        | C43-46        | C43-46        |
| 17     | Vis - impulseur - 3/8 - 16 x 3/4 po de longueur     | 1   | U30-72SS       | U30-72SS      | U30-72SS      | U30-72SS      |
| 18     | Diffuseur (comprend la clé numéro 13)               | 1   | C101-126       | C101-126B     | C101-132      | C101-132      |
| 19     | Bague du diffuseur                                  | 1   | C21-2          | C21-2         | C21-2         | C21-2         |
| 20     | Corps de la pompe                                   | 1   | C76-12         | C76-12C       | C76-12B       | C76-12        |
| 21     | Bouchon de tuyau - 1/4 po, NPT                      | 2   | U78-941ZPV     | U78-941ZPV    | U78-941ZPV    | U78-941ZPV    |
| 22     | Vis d'assemblage - 5/16 - 18 x 3/4 po de longueur   | 4   | U30-60ZP       | U30-60ZP      | U30-60ZP      | U30-60ZP      |

# PIÈCES DE RECHANGE

## MODÈLES STA-RITE

| NUMÉRO | DESCRIPTION                                         | QTÉ | DMH-171<br>DMH3-171<br>DM2H3-17 | DMJ-172<br>DMJ3-172<br>DM2J-172<br>DM2J3-172 | DHH-169<br>DHH3-169<br>DH2H-112<br>DH2H3-112<br>DH2H3-169 | DHJ-170<br>DHJ3-170<br>DH2J-113<br>DH2J3-170 |
|--------|-----------------------------------------------------|-----|---------------------------------|----------------------------------------------|-----------------------------------------------------------|----------------------------------------------|
|        |                                                     |     | 3 HP                            | 5 HP                                         | 3 HP                                                      | 5 HP                                         |
| 1      | Moteur - 230 V, 60 Hz, monophasé                    | 1   | C218-177                        | C218-180                                     | C218-177                                                  | C218-180                                     |
| 1      | Moteur - 230/460 V, 60 Hz, triphasé                 | 1   | C218-179                        | C218-182                                     | C218-179                                                  | C218-182                                     |
| 1      | Moteur - 200 V, 60 Hz, monophasé                    | 1   | -                               | C218-192                                     | C218-191                                                  | C218-192                                     |
| 1      | Moteur - 200 V, 60 Hz, triphasé                     | 1   | C218-178                        | C218-181                                     | C218-178                                                  | C218-181                                     |
| 2      | Joint torique                                       | 1   | U9-265                          | U9-265                                       | U9-265                                                    | U9-265                                       |
| 2A     | Manchon                                             | 1   | C23-58                          | C23-58                                       | C23-58                                                    | C23-58                                       |
| 3      | Clé - carré                                         | 1   | U65-42A                         | U65-42A                                      | U65-42A                                                   | U65-42A                                      |
| 4      | Défecteur d'eau - monophasé                         | 1   | C69-15                          | C69-15                                       | C69-15                                                    | C69-15                                       |
| 4      | Défecteur d'eau - 230/460 V, triphasé               | 1   | C69-16                          | C69-15                                       | C69-16                                                    | C69-15                                       |
| 4      | Défecteur d'eau - 200 V, triphasé                   | 1   | C69-15                          | C69-15                                       | C69-15                                                    | C69-15                                       |
| 5      | Vis d'assemblage - 3/8 - 16 x 7/8 po de longueur    | 8   | U30-73ZP                        | U30-73ZP                                     | U30-73ZP                                                  | U30-73ZP                                     |
| 6      | Adaptateur                                          | 1   | C2-66                           | C2-66                                        | C2-66                                                     | C2-66                                        |
| 7      | Joint - Adaptateur                                  | 1   | C20-46B                         | C20-46                                       | C20-46                                                    | C20-46                                       |
| 8      | Rondelle de blocage - 3/8 po                        | 6   | U43-12ZP*                       | U43-12ZP*                                    | U43-12ZP                                                  | U43-12ZP                                     |
| 9      | Vis à tête hexagonale - 3/8 - 16 x 1 po de longueur | 4   | U30-74ZP                        | U30-73ZP                                     | U30-73ZP                                                  | U30-73ZP                                     |
| 10     | Joint d'étanchéité de l'arbre                       | 1   | U109-433SS                      | U109-433SS                                   | U109-433SS                                                | U109-433SS                                   |
| 11     | Joint d'étanchéité                                  | 1   | C20-101                         | C20-101                                      | C20-101                                                   | C20-101                                      |
| 12     | Impulseur                                           | 1   | C5-246                          | C5-247                                       | C5-248                                                    | C5-249                                       |
| 13     | Collerette d'étanchéité                             | 1   | J23-5                           | C23-14                                       | J23-5                                                     | J23-5                                        |
| 14     | Joint d'étanchéité                                  | 1   | C20-100                         | C20-100                                      | C20-100                                                   | C20-100                                      |
| 15     | Rondelle - impulseur                                | 1   | C43-45SS                        | C43-45SS                                     | C43-45SS                                                  | C43-45SS                                     |
| 16     | Joint d'étanchéité                                  | 1   | C43-46                          | C43-46                                       | C43-46                                                    | C43-46                                       |
| 17     | Vis - impulseur - 3/8 - 16 x 3/4 po de longueur     | 1   | U30-72SS                        | U30-72SS                                     | U30-72SS                                                  | U30-72SS                                     |
| 18     | Diffuseur (comprend la clé numéro 13)               | 1   | C101-126                        | C101-126B                                    | C101-132                                                  | C101-132                                     |
| 19     | Bague du diffuseur                                  | 1   | C21-2                           | C21-2                                        | C21-2                                                     | C21-2                                        |
| 20     | Corps de la pompe                                   | 1   | C76-12                          | C76-12C                                      | C76-12B                                                   | C76-12                                       |
| 21     | Bouchon de tuyau - 1/4 po, NPT                      | 2   | U78-941ZPV                      | U78-941ZPV                                   | U78-941ZPV                                                | U78-941ZPV                                   |
| 22     | Vis d'assemblage - 5/16 - 18 x 3/4 po de longueur   | 4   | U30-60ZP                        | U30-60ZP                                     | U30-60ZP                                                  | U30-60ZP                                     |



# DÉPANNAGE

| SYMPTÔME                                                                                                                                            | CAUSE(S) POSSIBLE(S)                                                                                                                                                                                               | MESURE CORRECTIVE                                                                                                                                                                                                                                                                                                                                                                                                                             |
|-----------------------------------------------------------------------------------------------------------------------------------------------------|--------------------------------------------------------------------------------------------------------------------------------------------------------------------------------------------------------------------|-----------------------------------------------------------------------------------------------------------------------------------------------------------------------------------------------------------------------------------------------------------------------------------------------------------------------------------------------------------------------------------------------------------------------------------------------|
| Le moteur ne fonctionne pas                                                                                                                         | Le sectionneur est en position d'arrêt                                                                                                                                                                             | Assurez-vous que l'interrupteur est en position de marche                                                                                                                                                                                                                                                                                                                                                                                     |
|                                                                                                                                                     | Le fusible est brûlé                                                                                                                                                                                               | Remplacez le fusible                                                                                                                                                                                                                                                                                                                                                                                                                          |
|                                                                                                                                                     | L'interrupteur de démarrage est défectueux                                                                                                                                                                         | Remplacez l'interrupteur de démarrage                                                                                                                                                                                                                                                                                                                                                                                                         |
|                                                                                                                                                     | Les fils du moteur sont lâches, débranchés ou ne sont pas correctement câblés.                                                                                                                                     | Consultez les instructions de câblage. Vérifiez et resserrez tout le câblage.<br><b>⚠ MISE EN GARDE</b> La tension du condensateur peut être dangereuse. Pour décharger le condensateur, tenez le tournevis à manche isolé PAR LE MANCHE et effectuez un court-circuit des bornes du condensateur. Ne touchez pas la lame métallique du tournevis ni les bornes du condensateur. En cas de doute, consultez un électricien qualifié.          |
| Le moteur surchauffe et la surcharge se déclenche                                                                                                   | Le moteur n'est pas câblé correctement                                                                                                                                                                             | Reportez-vous aux instructions de câblage                                                                                                                                                                                                                                                                                                                                                                                                     |
|                                                                                                                                                     | La tension est trop faible                                                                                                                                                                                         | Vérifiez auprès du fournisseur d'électricité. Installez des fils de plus fort calibre si les fils sont trop faibles (voir la section Électricité de ce manuel).                                                                                                                                                                                                                                                                               |
| Le moteur fonctionne, mais il n'y a pas d'eau<br><br>Dévissez le bouchon d'amorçage et assurez-vous qu'il y a de l'eau dans le boîtier de la pompe. | L'amorçage de la pompe de la nouvelle installation n'a pas réussi en raison de :<br>Vérifiez l'amorçage avant de rechercher d'autres causes.<br>Amorçage incorrect<br>Fuites d'air<br>Fuite dans le clapet de pied | Dans la nouvelle installation :<br>1. Dévissez le bouchon d'amorçage et assurez-vous qu'il y a de l'eau dans le boîtier de la pompe<br>2. Réamorcez selon les instructions<br>3. Vérifiez tous les raccords sur la ligne d'aspiration<br>4. Remplacez le clapet de pied                                                                                                                                                                       |
|                                                                                                                                                     | Raison pour laquelle la pompe a perdu son amorçage :<br>Vérifiez l'amorçage avant de rechercher d'autres causes.<br>Fuites d'air<br>Niveau d'eau inférieur à l'aspiration de la pompe                              | Dans une installation actuellement en service :<br>1. Dévissez le bouchon d'amorçage et assurez-vous qu'il y a de l'eau dans le boîtier de la pompe<br>2. Vérifiez tous les raccords sur la ligne d'aspiration et le joint d'étanchéité de l'arbre.<br>3. Descendez la ligne d'aspiration dans l'eau et réamorcez.<br>Si la baisse du niveau d'eau dans le puits dépasse la hauteur d'aspiration, une pompe pour puits profond est nécessaire |
|                                                                                                                                                     | L'impulseur est branché                                                                                                                                                                                            | Nettoyez l'impulseur en suivant les directives de la section Nettoyage et remplacement de l'impulseur                                                                                                                                                                                                                                                                                                                                         |
|                                                                                                                                                     | Le clapet de non-retour ou le clapet de pied est coincé                                                                                                                                                            | Remplacez le clapet de non-retour ou le clapet de pied.                                                                                                                                                                                                                                                                                                                                                                                       |
|                                                                                                                                                     | Les tuyaux sont gelés                                                                                                                                                                                              | Faites dégeler les tuyaux. Enterrez les tuyaux sous la ligne du gel. Réchauffez la fosse ou le boîtier de la pompe.                                                                                                                                                                                                                                                                                                                           |
|                                                                                                                                                     | Le clapet de pied et/ou la crépine sont recouverts de sable ou de boue                                                                                                                                             | Soulevez le clapet de pied et/ou la crépine au-dessus du fond du puits                                                                                                                                                                                                                                                                                                                                                                        |
|                                                                                                                                                     | La pompe n'achemine pas l'eau au maximum de sa capacité                                                                                                                                                            | Une fuite dans le clapet de pied cause une perte d'amorçage                                                                                                                                                                                                                                                                                                                                                                                   |
| Le niveau d'eau dans le puits se situe à plus de 25 pieds sous l'aspiration de la pompe                                                             |                                                                                                                                                                                                                    | Une pompe à jet pour puits profonds peut être nécessaire                                                                                                                                                                                                                                                                                                                                                                                      |
| La tuyauterie en acier (si utilisée) est corrodée ou chaulée et cause une friction excessive                                                        |                                                                                                                                                                                                                    | Remplacez par un tuyau en plastique si possible ou par un tuyau en acier neuf.                                                                                                                                                                                                                                                                                                                                                                |
| La tuyauterie est décalée et de trop petite taille                                                                                                  |                                                                                                                                                                                                                    | Utilisez une tuyauterie de plus grande taille.                                                                                                                                                                                                                                                                                                                                                                                                |

## Garantie

Pentair BERKELEY® garantit à l'acheteur initial (« l'acheteur » ou « vous ») que les produits figurant dans le tableau ci-dessous seront exempts de tout défaut de matériel et de fabrication pendant la période de garantie indiquée ci-dessous.

| Produit                                                                                                                   | Période de garantie                                                                                                                           |
|---------------------------------------------------------------------------------------------------------------------------|-----------------------------------------------------------------------------------------------------------------------------------------------|
| <b>Systèmes d'eau :</b>                                                                                                   |                                                                                                                                               |
| Produits pour les systèmes d'eau – pompes à jet, petites pompes centrifuges, pompes submersibles et accessoires connexes, | <i>selon la première occurrence :</i><br>12 mois à partir de la date d'installation initiale<br>ou 18 mois à partir de la date de fabrication |
| Réservoirs en composite Pentair Pro-Source®                                                                               | 5 ans à partir de la date d'installation initiale                                                                                             |
| Réservoirs sous pression en acier Pentair Pro-Source®                                                                     | 5 ans à partir de la date d'installation initiale                                                                                             |
| Réservoirs avec doublure en époxy Pentair Pro-Source®                                                                     | 3 ans à partir de la date d'installation initiale                                                                                             |
| <b>Systèmes agricoles/commerciaux :</b>                                                                                   |                                                                                                                                               |
| Pompes centrifuges : entraînement moteur monobloc, montage sur châssis, montage SAE, entraînement moteur, VMS, SSCX, SSHM | 12 mois à partir de la date d'installation initiale<br>ou 24 mois à partir de la date de fabrication                                          |
| Turbines submersibles, 6 po de diamètre et plus                                                                           | 12 mois à partir de la date d'installation initiale<br>ou 24 mois à partir de la date de fabrication                                          |

Notre garantie ne s'applique pas aux produits qui, à notre seul avis, ont fait l'objet de négligence, d'une mauvaise utilisation, d'une mauvaise installation ou d'un manque d'entretien adéquat. Voici quelques exceptions qui peuvent entraîner le refus d'une réclamation dans le cadre de la garantie (cette liste n'est pas exhaustive) :

- Dommages causés par une manipulation négligente, un réemballage inapproprié ou l'expédition.
- Dommages causés par une mauvaise utilisation, un abus ou un défaut d'exploitation de l'équipement selon ce qui est spécifié dans la notice d'utilisation.
- Dommages causés par une installation des produits non conforme aux indications spécifiées dans la notice d'utilisation.
- Dommages causés par des modifications non autorisées du produit ou un défaut d'utilisation des pièces de rechange d'origine Pentair.
- Dommages causés par la négligence ou un entretien des produits non conforme aux indications spécifiées dans la notice d'utilisation.
- Dommages causés par le gel de l'eau à l'intérieur du produit.
- Dommages accidentels, incendie, événements de force majeure ou autres circonstances indépendantes de la volonté de Pentair.

Sans limiter ce qui précède, l'utilisation d'un moteur triphasé avec une alimentation monophasée par l'intermédiaire d'un convertisseur de phase annulera la garantie. Veuillez également noter que les moteurs triphasés doivent être protégés par des relais de surcharge à trois branches, à compensation ambiante et à déclenchement extrarapide, du calibre recommandé, sans quoi la garantie est annulée.

Tous les diamètres de roue mentionnés dans le programme de dimensionnement de la pompe BEC2 ont été testés et déterminés pour ne pas dépasser le coefficient de service du moteur spécifié. Des roues de diamètre surdimensionné sont offertes à la demande, cependant, l'utilisation d'une roue surdimensionnée vide toute réclamation au titre de la garantie.

Votre seul recours, et le seul devoir de BERKELEY sous cette garantie, est la réparation ou le remplacement par BERKELEY des produits défectueux (au choix de BERKELEY). LES RECOURS DÉCRITS ICI SONT VOS SEULS ET EXCLUSIFS RECOURS ET NOTRE ENTIÈRE RESPONSABILITÉ POUR TOUTE VIOLATION DE CETTE GARANTIE.

Vous devez payer tous les frais de main-d'œuvre et d'expédition associés à la garantie et vous adresser au concessionnaire-installateur dès qu'un problème est découvert pour obtenir un service sous garantie. Aucune demande d'entretien ne sera acceptée si elle est reçue après l'expiration de la période de garantie. Cette garantie n'est pas transférable.

LA RESPONSABILITÉ DE BERKELEY NE DÉPASSERA EN AUCUN CAS LE MONTANT RÉEL PAYÉ PAR VOUS POUR LE PRODUIT EN CAUSE. BERKELEY NE SAURAIT, EN AUCUNE CIRCONSTANCE, ÊTRE TENUE RESPONSABLE DES DOMMAGES OU PERTES IMMATÉRIELS, ACCESSOIRES, SPÉCIAUX, PUNITIFS OU ÉVENTUELS, QUELS QU'ILS SOIENT, DIRECTEMENT OU INDIRECTEMENT. LA GARANTIE QUI PRÉCÈDE EST EXCLUSIVE. À L'EXCEPTION DE LA GARANTIE DÉFINIE DANS LES PRÉSENTES, BERKELEY N'OFFRE AUCUNE GARANTIE EN CE QUI CONCERNE LES PRODUITS, Y COMPRIS, SANS S'Y LIMITER, TOUTE GARANTIE DE QUALITÉ MARCHANDE OU D'ADAPTATION À UN USAGE PARTICULIER, EXPRESSE OU IMPLICITEMENT PRÉVUE PAR LA LOI, LES PRATIQUES COMMERCIALES ÉTABLIES, LES MODALITÉS D'EXÉCUTION OU AUTRES.

LES GARANTIES QUI PRÉCÈDENT NE SE PROLONGENT PAS AU-DELÀ DE LA PÉRIODE PRÉVUE AUX PRÉSENTES. Certains États ou provinces n'autorisent pas d'exclure ou de limiter les dommages fortuits ou indirects ou de limiter la durée d'une garantie implicite; il se peut donc que les limitations ou exclusions ci-dessus ne s'appliquent pas à votre cas. Cette garantie vous donne des droits légaux spécifiques et vous pourriez également avoir d'autres droits, qui varient d'un État à l'autre.

La présente garantie entre en vigueur le 14 juillet 2020 et remplace toutes les garanties non datées ainsi que les garanties antérieures au 14 juillet 2020.

### BERKELEY

293 Wright Street, Delavan, WI 53115

Téléphone : 866 973-6835 • Télécopieur : 800 321-8793 • Pentair.com/Berkeley

Au Canada : 490 Pinebush Road, Unit 4, Cambridge, Ontario N1T 0A5

Téléphone : 800 363-7867 • Télécopieur : 888 606-5484

## GARANTIE MYERS

### Garantie limitée :

Myers garantit à l'acheteur initial (« l'acheteur » ou « vous ») des produits figurant ci-dessous qu'ils seront exempts de tout défaut de matériel et de fabrication pour la période de garantie indiquée ci-dessous.

| Produit                                                                                    | Période de garantie                                                                                                                      |
|--------------------------------------------------------------------------------------------|------------------------------------------------------------------------------------------------------------------------------------------|
| Pompes à éjecteur, petites pompes centrifuges, pompes submersibles et accessoires connexes | selon la première éventualité :<br>12 mois à partir de la date de première installation<br>ou 18 mois à partir de la date de fabrication |
| Réservoirs en fibre enroulée                                                               | 5 ans à partir de la date de première installation                                                                                       |
| Réservoirs sous pression en acier                                                          | 5 ans à partir de la date de première installation                                                                                       |
| Produits pour puisard/eaux usées/effluents/utilitaire/<br>batterie de secours              | 36 mois à partir de la date de fabrication                                                                                               |
| Pompes de traitement des matières solides des eaux<br>usées                                | 12 mois à partir de la date d'expédition de l'usine<br>ou 18 mois à partir de la date de fabrication                                     |

Notre garantie s'applique uniquement quand ces produits sont utilisés conformément aux exigences du catalogue et/ou des manuels des produits concernés. Pour plus d'information, consultez la garantie limitée standard applicable dans le manuel du produit.

Notre garantie ne s'applique pas aux produits qui, à notre seul avis, ont fait l'objet de négligence, d'une mauvaise utilisation, d'une mauvaise installation ou d'un manque d'entretien adéquat. Sans aucune limitation des présentes, l'utilisation d'un moteur triphasé sur un courant monophasé par l'intermédiaire d'un déphaseur annulera la garantie. Il faut également noter que les moteurs triphasés doivent être protégés par un relais de surcharge tripolaire thermocompensé à déclenchement extrêmement rapide du calibre recommandé, sinon la garantie sera annulée.

Votre seul recours et la seule responsabilité de MYERS sont que MYERS répare ou remplace les produits défectueux (au choix de MYERS). Vous vous engagez à payer tous les frais de main-d'œuvre et d'expédition du produit couvert par cette garantie et de vous adresser au concessionnaire-installateur dès qu'un problème est découvert pour obtenir un service sous garantie. Aucune demande de service ne sera acceptée après l'expiration de la période de garantie. Cette garantie n'est pas transférable.

MYERS NE SERA TENUE RESPONSABLE D'AUCUN DOMMAGE INDIRECT, ACCIDENTEL OU FORTUIT, QUEL QU'IL SOIT.

LES GARANTIES LIMITÉES SUSMENTIONNÉES SONT EXCLUSIVES ET REMPLACENT TOUTES LES AUTRES GARANTIES EXPRESSES ET TACITES, Y COMPRIS, MAIS SANS S'Y LIMITER, LES GARANTIES TACITES DE QUALITÉ MARCHANDE ET D'ADAPTATION À UN USAGE PARTICULIER. LES GARANTIES LIMITÉES SUSMENTIONNÉES NE DOIVENT PAS ÊTRE PROLONGÉES AU-DELÀ DE LA DURÉE PRÉVUE AUX PRÉSENTES.

Certaines provinces n'autorisent pas d'exclure ou de limiter les dommages fortuits ou indirects ou de limiter la durée d'une garantie implicite; il se peut donc que les limitations ou exclusions ci-dessus ne s'appliquent pas à votre cas. La présente garantie vous donne des droits juridiques spécifiques et vous pouvez en avoir d'autres qui varient d'une province à l'autre.

Cette garantie limitée entre en vigueur le 1er janvier 2021 et remplace toutes les garanties non datées et les garanties datées avant le 1er janvier 2021

### PENTAIR MYERS

293 Wright Street, Delavan, WI 53115

Téléphone : 888-987-8677 Télécopieur : 800-426-9446 • [www.femyers.com](http://www.femyers.com)

Au Canada : 490 chemin Pinebush, unité 4, Cambridge (Ontario) N1T 0A5

Téléphone : 800-363-7867 Télécopieur : 888-606-5484

## GARANTIE

STA-RITE\* garantit à l'acheteur consommateur initial (« l'acheteur » ou « vous ») des produits énumérés ci-dessous qu'ils seront exempts de défauts de matériaux et de fabrication pendant la période de garantie indiquée ci-dessous.

| Produit                                                                                                                  |                                                                                                                                         |
|--------------------------------------------------------------------------------------------------------------------------|-----------------------------------------------------------------------------------------------------------------------------------------|
| Produits pour les systèmes d'eau – pompes à jet, petites pompes centrifuges, pompes submersibles et accessoires connexes | selon la première éventualité :<br>12 mois à partir de la date d'installation initiale<br>ou 18 mois à partir de la date de fabrication |
| Réservoirs Pro-Source™ en composite                                                                                      | 5 ans à partir de la date d'installation initiale                                                                                       |
| Réservoirs sous pression en acier Pro-Source™                                                                            | 5 ans à partir de la date d'installation initiale                                                                                       |
| Réservoirs Pro-Source™ à revêtement époxy                                                                                | 3 ans à partir de la date d'installation initiale                                                                                       |
| Bassin de décantation/eaux usées/produits d'effluents                                                                    | 12 mois à partir de la date d'installation initiale<br>ou 18 mois à partir de la date de fabrication                                    |

Notre garantie ne s'applique pas aux produits qui, à notre seul avis, ont fait l'objet de négligence, d'une mauvaise utilisation, d'une mauvaise installation ou d'un manque d'entretien adéquat. Sans limiter ce qui précède, l'utilisation d'un moteur triphasé avec une alimentation monophasée par l'intermédiaire d'un convertisseur de phase annulera la garantie. Veuillez également noter que les moteurs triphasés doivent être protégés par des relais de surcharge à trois branches, à compensation ambiante et à déclenchement extrarapide, du calibre recommandé, sans quoi la garantie est annulée.

Votre seul recours et la seule responsabilité de STA-RITE sont que STA-RITE répare ou remplace les produits défectueux (au choix de STA-RITE). Vous devez payer tous les frais de main-d'œuvre et d'expédition associés à cette garantie et réclamer un service en vertu de la garantie auprès du détaillant Pentair Pro ayant effectué l'installation dès qu'un problème est détecté. Aucune demande d'entretien ne sera acceptée si elle est reçue après l'expiration de la période de garantie. Cette garantie n'est pas transférable.

STA-RITE NE SERA TENUE RESPONSABLE D'AUCUN DOMMAGE CONSÉCUTIF, INDIRECT OU ACCESSOIRE, QUEL QU'IL SOIT. LES GARANTIES QUI PRÉCÈDENT SONT LES SEULES GARANTIES OFFERTES ET ELLES REMPLACENT TOUTES LES AUTRES GARANTIES EXPRESSES ET IMPLICITES, Y COMPRIS, MAIS SANS S'Y LIMITER, LES GARANTIES IMPLICITES DE QUALITÉ MARCHANDE ET D'ADÉQUATION À UN USAGE PARTICULIER. LES GARANTIES QUI PRÉCÈDENT NE SERONT PAS PROLONGÉES AU-DELÀ DE LA PÉRIODE EXPRESSÉMENT PRÉVUE DANS LES PRÉSENTES.

Certains États ou provinces n'autorisent pas d'exclure ou de limiter les dommages fortuits ou indirects ou de limiter la durée d'une garantie implicite; il se peut donc que les limitations ou exclusions ci-dessus ne s'appliquent pas à votre cas. Cette garantie vous donne des droits juridiques spécifiques et vous pourriez également avoir d'autres droits, qui varient d'un État à l'autre.

La présente garantie limitée entre en vigueur le 1er juin 2011 et remplace toutes les garanties non datées ainsi que les garanties antérieures au 1er juin 2011.

STA-RITE INDUSTRIES  
293 Wright Street • Delavan, WI U.S.A. 53115  
Téléphone : 1888 782-7483 • Télécopieur : 1800 426-9446 • Site Web : [sta-rite.com](http://sta-rite.com)



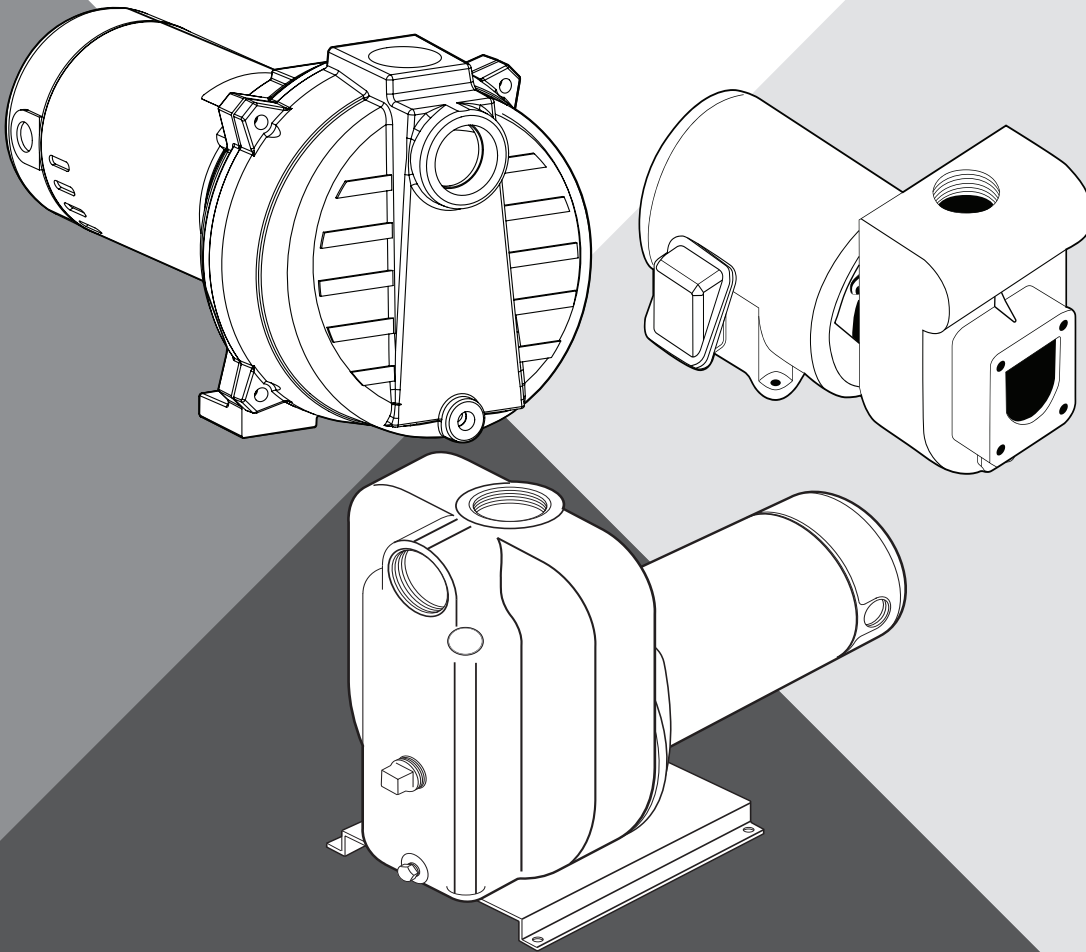
293 Wright St  
Delavan, WI 53115  
Tél. : 888 782-7483  
Téléc. : 800 426-9446

490 PINEBUSH RD, UNIT 4  
Cambridge, Ontario  
Canada N1T 0A5  
Tél. : 800 363-7867  
Téléc. : 888 606-5484

[PENTAIR.COM](http://PENTAIR.COM)

Toutes les marques de commerce et tous les logos Pentair indiqués appartiennent à Pentair. Les marques de commerce et les logos déposés et non déposés de tiers appartiennent à leurs propriétaires respectifs. Comme Pentair cherche constamment à améliorer ses produits et ses services, elle se réserve le droit d'en modifier les spécifications sans préavis. Pentair est un employeur offrant l'accès à l'égalité en emploi.

# BOMBAS DE ASPERSIÓN Y CENTRÍFUGAS AUTOCEBANTES PRO



## MANUAL DEL PROPIETARIO

[PENTAIR.COM](http://PENTAIR.COM)

# ÍNDICE

---

|                                  |    |
|----------------------------------|----|
| INSTRUCCIONES DE SEGURIDAD ..... | 63 |
| INSTALACIÓN .....                | 64 |
| ELECTRICIDAD .....               | 66 |
| FUNCIONAMIENTO .....             | 68 |
| MANTENIMIENTO .....              | 69 |
| PARTES DE REPUESTO .....         | 72 |
| RESOLUCIÓN DE PROBLEMAS .....    | 87 |
| GARANTÍAS .....                  | 88 |

ESTE MANUAL CUBRE LAS SIGUIENTES SERIES DE MODELOS:


MODELOS BERKELEY: LTHH, BPD, LTH/LTM.


MODELOS MYERS: MDPC, QP, PQP.


MODELOS STA-RITE: DPC, D, DS2, DS3, PD


# INSTRUCCIONES DE SEGURIDAD

## SÍMBOLOS DE SEGURIDAD

 Este es el símbolo de alerta de seguridad. Cuando vea este símbolo en la bomba o en este manual, busque una de las siguientes palabras de advertencia y esté alerta a la posibilidad de que alguien pudiese resultar lesionado:


 **PELIGRO** advierte sobre los riesgos que causan lesiones personales graves, la muerte o daños importantes a la propiedad si se ignora.

 **ADVERTENCIA** advierte sobre los riesgos que pueden causar lesiones personales graves, la muerte o daños importantes a la propiedad si se ignora.


 **PRECAUCIÓN** advierte sobre los riesgos que causan o pueden causar lesiones personales leves o daños menores a la propiedad si se ignora.

La palabra **NOTA** hace referencia a instrucciones especiales que son importantes, pero que no están relacionadas con riesgos.

## ADVERTENCIA DE LA PROPUESTA 65 DE CALIFORNIA


 **ADVERTENCIA** Este producto y sus accesorios relacionados contienen sustancias químicas identificadas por el Estado de California como carcinógenas y que provocan defectos congénitos u otros daños reproductivos.


## SEGURIDAD GENERAL

 **ADVERTENCIA** **NO TOQUE NINGÚN MOTOR QUE ESTÉ EN FUNCIONAMIENTO.** Los motores modernos funcionan a altas temperaturas. Para evitar quemaduras cuando hace el servicio de mantenimiento de la bomba, apáguela y deje que se enfríe durante 20 minutos antes de manipularla.


- ◆ Para evitar sobrecalentamiento, peligro de exceso de presión y posible lesión, no utilizar en un sistema de tanque de presión (agua potable). No usar como bomba auxiliar; la succión presurizada puede provocar la explosión del cuerpo de la bomba.
- ◆ No permita que la bomba o el sistema de tubería se congele. El congelamiento puede dañar la bomba y la tubería, podría producir daño por la falla en el equipo y se anulará la garantía.
- ◆ Bombee solo agua con esta unidad.
- ◆ Inspeccione periódicamente la bomba y los componentes del sistema.
- ◆ Use gafas de seguridad en todo momento cuando trabaje con las bombas.
- ◆ Mantenga el área de trabajo limpia, despejada y adecuadamente iluminada. Almacene adecuadamente todas las herramientas y los equipos que no usa.
- ◆ Mantenga a los visitantes a una distancia segura del área de trabajo.
- ◆ Asegure el taller de manera que los niños no puedan ingresar; use candados e interruptores maestros; retire las llaves de encendido.



## SEGURIDAD ELÉCTRICA

 Haga el cableado del motor para el voltaje correcto. Consultar la sección "Electricidad" de este manual y la placa de identificación del motor.

 Conecte el motor a tierra antes de activar la alimentación de electricidad.

 Cumpla con el Código de Electricidad a Nivel Nacional, el Código de Electricidad de Canadá y los códigos locales para el cableado.

 Siga las instrucciones de cableado de este manual cuando conecte el motor a las líneas de alimentación.

|                                                                                                        |                                                                                                                                                         |
|--------------------------------------------------------------------------------------------------------|---------------------------------------------------------------------------------------------------------------------------------------------------------|
|  <b>ADVERTENCIA</b> |                                                                                                                                                         |
|                      | Voltaje peligroso. Puede provocar choque eléctrico, quemaduras o la muerte. Conecte la bomba a tierra antes de activar la alimentación de electricidad. |

# INSTALACIÓN

## ANTES DE LA INSTALACIÓN DE LA BOMBA

- ◆ Asegúrese de que el pozo no esté a una profundidad mayor de 20 pies del agua.
- ◆ Ubique la bomba lo más cerca posible del pozo y utilice la menor cantidad posible de codos y partes. Los tramos largos y mucha cantidad de partes aumentan la fricción y reducen el flujo.
- ◆ Asegúrese de que no haya arena en el pozo. La arena obstruirá la bomba y la garantía perderá validez.
- ◆ Proteja la bomba y todas las tuberías para evitar el congelamiento. El congelamiento agrietará la tubería, dañará la bomba y anulará la validez de la garantía. Verifique los requisitos de protección local contra congelamiento. Generalmente, la tubería debe estar a 12" por debajo de la línea de congelamiento y la bomba debe estar aislada.
- ◆ Asegúrese de que todas las tuberías y la válvula de contención estén limpias y en buen estado.
- ◆ Asegúrese de que no haya burbujas de aire o fugas en la tubería de succión. Use cinta de PTEE para sellar roscas de tuberías para sellar las juntas de la tubería.
- ◆ Las uniones instaladas cerca del pozo y la bomba ayudan al servicio de mantenimiento. Asegúrese de dejar espacio para usar llaves.

**ADVERTENCIA** EL CUERPO DE LA BOMBA PUEDE EXPLOTAR si se utiliza como bomba auxiliar. **NO** la use en aplicaciones de refuerzo.

## INSTALACIÓN DE TUBERÍA DE POZO

Use el método de instalación a continuación que coincida con su tipo de pozo.

### INSTALACIÓN DE POZO ENCAMISADO

1. Verifique la válvula de contención para asegurarse de que funcione libremente. Inspeccione la trampa de pelos para asegurarse de que esté limpia.
2. Conecte la válvula de contención y la trampa de pelos al primer tramo de la tubería de succión y la tubería inferior al pozo. Agregue las secciones de tubería como sea necesario, use cinta PTFE para sellar roscas de tuberías en las roscas macho. Asegúrese de que toda la tubería de succión esté hermética o la bomba perderá el cebado y fallará.
3. Instale la válvula de contención 10 a 20 pies por debajo del nivel más bajo al cual caerá el agua mientras la bomba esté en funcionamiento (nivel de bombeo de agua). Su perforador de pozo puede contener esta información.
  - ◆ Para evitar que la arena y el sedimento ingrese al sistema de bombeo, la válvula de contención/trampa de pelos debe estar como mínimo a 5 pies arriba del fondo del pozo.
4. Cuando se logre la profundidad correcta, instale una junta para pozo sanitario sobre la tubería y en el revestimiento del pozo. Ajuste los pernos para sellar el revestimiento.
5. Cuando se utilice una válvula de contención, se recomienda un empalme T de cebado y tapón (figura 1).

### INSTALACIÓN DE POZO EXCAVADO

Siga las mismas indicaciones que se describen en la Instalación de pozo encamisado.

### INSTALACIÓN WELL POINT DE DRENAJE

1. Conecte la tubería de succión al punto de drenaje (figura 2). Mantenga el recorrido de la tubería horizontal lo más corto

posible. Use cinta PTFE para sellar roscas de tuberías en las roscas macho de la tubería. Es posible que necesite múltiples puntos para proporcionar suficiente agua a la bomba.

2. Instale una válvula de retención en la tubería horizontal. Verifique que la flecha de flujo de la válvula de retención señale hacia la bomba.

## INSTALACIÓN DE LA TUBERÍA HORIZONTAL DESDE EL POZO A LA BOMBA

1. Jamás instale una tubería de succión más pequeña que el puerto de succión de la bomba.
2. Para facilitar el cebado con la instalación del sistema well point, instale una válvula de retención como muestra la figura 2. Verifique que la flecha de flujo de la válvula de retención señale hacia la bomba.

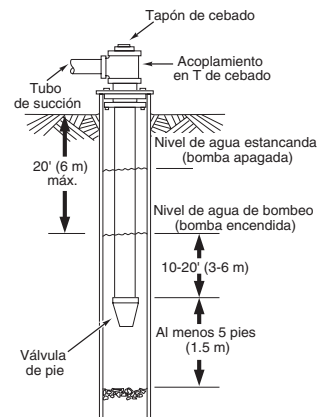


FIGURA 1- INSTALACIÓN DE POZO ENCAMISADO/EXCAVADO

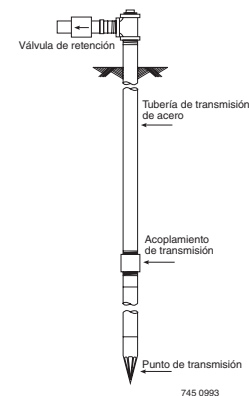


FIGURA 2- INSTALACIÓN DE PUNTO DE DRENAJE

## TAMAÑOS DE LAS TUBERÍAS DE DESCARGA

1. Si aumenta el tamaño de la tubería de descarga, instale un reductor en el puerto de descarga de la bomba. No aumente el tamaño de la tubería en etapas.
2. Cuando la bomba se separa de los puntos del uso de agua, el tamaño de la tubería de descarga debería aumentar para reducir la pérdida de presión que causa la fricción.
  - ◆ Hasta un recorrido de 100': El mismo tamaño que el puerto de descarga de la bomba.
  - ◆ Recorrido de 100' a 300': Aumente un tamaño de tubería.
  - ◆ Recorrido de 300' a 600': Aumente dos tamaños de tubería.



# INSTALACIÓN

## APLICACIÓN EN ASPERSORES PARA CÉSPED

Esta bomba está diseñada para un estanque, cisterna o sistemas Well Point. La descarga de la bomba se puede dividir para suministrar dos (2) o más sistemas de aspersión. Se muestra una descarga múltiple sugerida para el servicio en la figura 3.

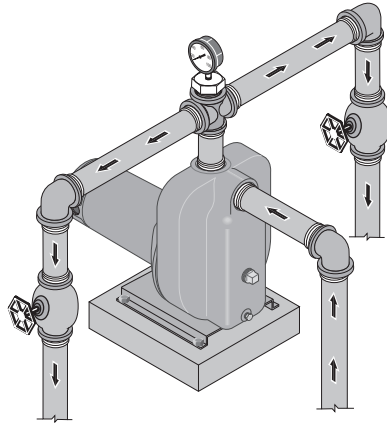


FIGURA 3 - DESCARGA MÚLTIPLE

## INSTALACIÓN DE BOMBA/TUBERÍA

Use solamente cinta de PTFE para sellar roscas de tuberías en todas las juntas roscadas a la misma bomba. No use compuesto para uniones de tubería en bombas de plástico: puede producir una reacción con el plástico en los componentes de la bomba.

Verifique que todas las juntas de la tubería de succión tengan un cierre hermético que no deje pasar el aire ni el agua. Si la tubería de succión puede succionar aire, la bomba no podrá extraer el agua del pozo.

1. Asegure la bomba con pernos a una base sólida nivelada.
2. Sujete toda la tubería conectada a la bomba.
  - ◆ Instale la bomba lo más cerca posible a la cabeza del pozo. Los tramos largos de tubería y mucha cantidad de partes generan fricción y reducen el flujo.
3. Envuelva con 1-1/2 a 2 vueltas de cinta de PTFE para sellar roscas de tuberías en sentido horario (de frente al extremo de la tubería) en todas las roscas macho unidas a la bomba.

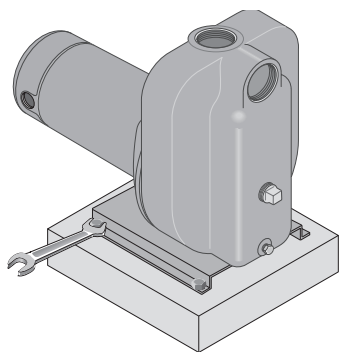


FIGURA 4 - SUJETAR CON PERNOS LA BOMBA

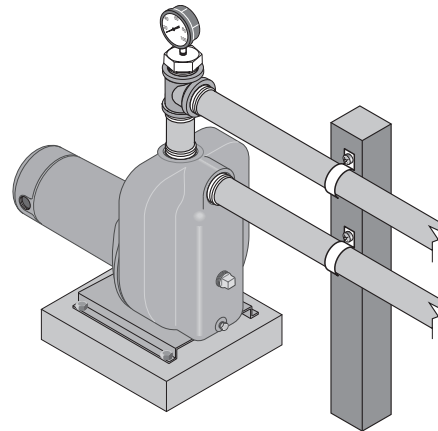


FIGURA 5 - APOYAR INDEPENDIENTEMENTE LA TUBERÍA UNIDA A LA BOMBA

4. Ajuste con la mano las uniones y gire 1-1/2 vueltas más. No la ajuste demasiado.
5. Si se deben utilizar tramos de tubería horizontal largos, instale un acople en T de cebado entre la válvula de retención y la cabeza del pozo (figura 1). Use tubería schedule 80 o de hierro.

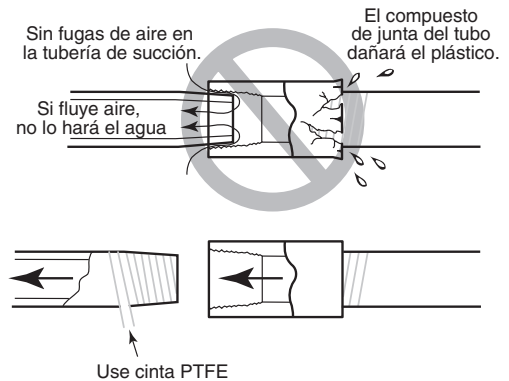


FIGURA 6 - SIN BURBUJAS DE AIRE EN TUBERÍA DE SUCCIÓN

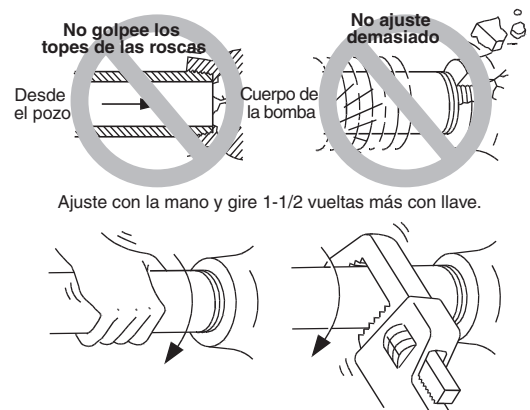


FIGURA 7 - NO DEBE HABER FUGAS EN LA TUBERÍA DE SUCCIÓN

## CABLEADO

Instale, conecte a tierra, cablee y mantenga esta bomba de acuerdo con los requerimientos del código de electricidad. Consulte con su inspector de construcción local para obtener información del código. Lea y siga todas las advertencias a continuación.

**⚠ ADVERTENCIA VOLTAJE PELIGROSO.** Puede provocar una descarga eléctrica, quemaduras o la muerte. Desconecte el motor del suministro eléctrico antes de trabajar con la bomba o el motor. Conectar el motor a tierra antes de activar la alimentación de electricidad.

**⚠** Para evitar descargas eléctricas peligrosas o fatales, desconecte la electricidad del motor antes de trabajar con conexiones eléctricas.

**⚠** El voltaje de suministro debe estar dentro de  $\pm 10\%$  del voltaje de la placa de identificación. El voltaje incorrecto puede ocasionar un incendio o daños en el motor y anular la garantía. Si tiene dudas, consulte a un electricista certificado.

**⚠** Use el tamaño de cable especificado en el Cuadro de cableado de este manual.

**⚠** Cablee el motor según el diagrama que aparece en la placa de identificación del motor. Si el diagrama de la placa de identificación difiere del diagrama de este manual, siga el diagrama de la placa de identificación.

1. Se recomienda un interruptor para desconectar correctamente los fusibles como protección mientras se trabaja en el motor. Consulte los códigos de electricidad nacionales o locales para los requerimientos de interruptores\*.
2. Desconecte la alimentación antes de realizar servicio de mantenimiento al motor o la bomba. Si el interruptor de desconexión no está a la vista en la bomba, bloquéelo en posición abierto y etiquételo para evitar funcionamiento eléctrico no deseado.
3. Conecte la bomba a tierra de forma permanente con un cable del mismo tamaño que se especifica en el Cuadro de cableado de este manual. Realice la conexión a tierra del terminal a tierra verde debajo de la cubierta del motor marcado como GRD. o  $\perp$ .
4. Conecte el cable de conexión a tierra a un conductor a tierra en un panel de servicio, a una tubería para agua subterránea de metal, a un encamisado de pozo de al menos 10 pies de largo. No conecte a tubería plástica o partes aisladas.  
**⚠** No conecte a tierra a una línea de suministro de gas.
5. Proteja los conductores a tierra y los que transportan electricidad de cortes, grasa, calor, aceite y químicos.

6. El motor tiene protección automática contra sobrecarga térmica interna. Si el motor se detuvo por motivo desconocido, la sobrecarga térmica puede reiniciarlo inesperadamente, lo cual podría causar lesión o daño a la propiedad. Desconecte la alimentación antes de realizar el servicio de mantenimiento al motor.

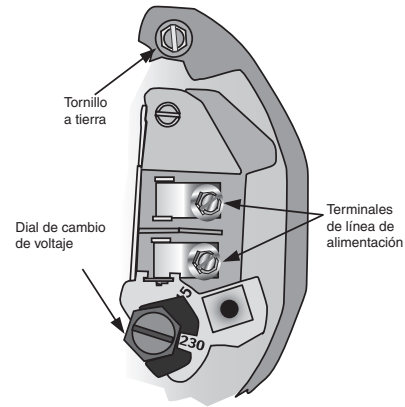


FIGURA 8 - VOLTAJE CONFIGURADO A CORRIENTE DE 230 VOLTIOS SELECTOR GIRATORIO

7. Si este procedimiento o el diagrama de cableado es confuso, consulte a un electricista certificado.
  - ◆ Consulte la figura 8 para la configuración del cableado.
  - ◆ Conecte los conductores de corriente a los terminales L1 y L2. Cuando reemplace el motor, verifique el diagrama de cableado en la placa de identificación del motor. Para los motores trifásicos o los motores cuyo diagrama de cableado no coincide con la figura 8, siga el diagrama que aparece en el motor.

## CONFIGURACIÓN DE USO CON VOLTAJE 115

Los modelos monofásicos de 115/230 voltios están configurados de fábrica para usar con 230 voltios.

### Si el suministro de energía será 115 voltios:

1. Asegúrese de que esté desconectada la alimentación.
2. Retire la tapa del motor.
3. Con un destornillador o llave de 1/2", gire la rueda selectora de voltaje en sentido antihorario hasta seleccionar 115 voltios.
4. Reemplace la tapa del motor.

(\*) Se recomienda fusibles de retraso Fusetron o de elemento dual para todos los circuitos del motor.

# ELECTRICIDAD

## SERIE DS2, DS3, LTHH, PD, BPDH, PQP, DPC, MDPC, D, LTH, LTM - TABLA DE CABLEADO - TAMAÑOS RECOMENDADOS DE CABLES Y FUSIBLES

| HP    | VOLTAJE | FASE | CARGA MÁX. DE AMPERIOS | AMPERAJE NOMINAL DEL FUSIBLE DE DERIVACIÓN | DISTANCIA EN PIES (METROS) DESDE EL MOTOR HASTA EL SUMINISTRO |                 |                 |                  |
|-------|---------|------|------------------------|--------------------------------------------|---------------------------------------------------------------|-----------------|-----------------|------------------|
|       |         |      |                        |                                            | 0-100 (0-30)                                                  | 101-200 (31-61) | 201-300 (62-91) | 301-400 (92-122) |
|       |         |      |                        |                                            | TAMAÑO DE CABLE AWG - 115V/230V (MM <sup>2</sup> )            |                 |                 |                  |
| 1/2   | 115/230 | 1    | 8.5/4.3                | 15/15                                      | 14/14 (2/2)                                                   | 12/14 (3/2)     | 10/14 (5.5/2)   | 8/14 (8.4/2)     |
| 3/4   | 115/230 | 1    | 11.4/5.7               | 20/15                                      | 14/14 (2/2)                                                   | 10/14 (5.5/2)   | 8/14 (8.4/2)    | 6/12 (14/3)      |
| 1     | 115/230 | 1    | 12.2/6.1               | 25/15                                      | 12/14 (3/2)                                                   | 8/14 (8.4/2)    | 8/14 (8.4/2)    | 6/12 (14/3)      |
| 1     | 230/460 | 3    | 3.6/1.8                | 15/15                                      | 14/14 (2/2)                                                   | 14/14 (2/2)     | 14/14 (2/2)     | 14/14 (2/2)      |
| 1-1/2 | 115/230 | 1    | 18.4/9.2               | 30/20                                      | 10/14 (5.5/2)                                                 | 8/14 (8.4/2)    | 6/12 (14/3)     | 4/10 (21/5.5)    |
| 1-1/2 | 230/460 | 3    | 4.7/2.35               | 15/15                                      | 14/14 (2/2)                                                   | 14/14 (2/2)     | 14/14 (2/2)     | 14/14 (2/2)      |
| 2     | 115/230 | 1    | 22.8/11.4              | 45/25                                      | 10/14 (5.5/2)                                                 | 6/12 (14/3)     | 6/12 (14/3)     | 4/10 (21/5.5)    |
| 2     | 230/460 | 3    | 6.8/3.4                | 15/15                                      | 14/14 (2/2)                                                   | 14/14 (2/2)     | 12/14 (3/2)     | 12/14 (3/2)      |
| 2-1/2 | 115/230 | 1    | 22/11                  | 45/25                                      | 10/14 (5.5/2)                                                 | 8/12 (8.4/3)    | 6/12 (14/3)     | 4/10 (21/5.5)    |
| 2-1/2 | 230/460 | 3    | 8.5/4.25               | 15/15                                      | 14/14 (2/2)                                                   | 14/14 (2/2)     | 12/14 (3/2)     | 10/14 (5.5/2)    |
| 3     | 230     | 1    | 17                     | 25                                         | 12 (3)                                                        | 12 (3)          | 10 (5.5)        | 8 (8.4)          |
| 3     | 230/460 | 3    | 9.6/4.8                | 15/15                                      | 14/14 (2/2)                                                   | 14/14 (2/2)     | 12/14 (3/2)     | 12/14 (3/2)      |
| 3     | 200     | 3    | 11                     | 15                                         | 14 (2)                                                        | 14 (2)          | 12 (3)          | 10 (5.5)         |
| 5     | 230     | 1    | 28                     | 40                                         | 8 (8.4)                                                       | 8 (8.4)         | 8 (8.4)         | 6 (14)           |
| 5     | 200     | 1    | 32.2                   | 50                                         | 8 (8.4)                                                       | 8 (8.4)         | 8 (8.4)         | 6 (14)           |
| 5     | 230/460 | 3    | 15.2/7.6               | 20/15                                      | 12/14 (3/2)                                                   | 12/14 (3/2)     | 10/14 (5.5/2)   | 10/14 (5.5/2)    |
| 5     | 200     | 3    | 17.5                   | 25                                         | 10 (5.5)                                                      | 10 (5.5)        | 10 (5.5)        | 8 (8.4)          |

## SERIE QP - TABLA DE CABLEADO - TAMAÑOS RECOMENDADOS DE CABLES Y FUSIBLES

| HP    | VOLTAJE | FASE | CARGA MÁX. DE AMPERIOS | AMPERAJE NOMINAL DEL FUSIBLE DE DERIVACIÓN | DISTANCIA EN PIES (METROS) DESDE EL MOTOR HASTA EL SUMINISTRO |                 |                 |                  |
|-------|---------|------|------------------------|--------------------------------------------|---------------------------------------------------------------|-----------------|-----------------|------------------|
|       |         |      |                        |                                            | 0-100 (0-30)                                                  | 101-200 (31-61) | 201-300 (62-91) | 301-400 (92-122) |
|       |         |      |                        |                                            | TAMAÑO DE CABLE AWG - 115V/230V (MM <sup>2</sup> )            |                 |                 |                  |
| 3/4   | 115/230 | 1    | 14.8/7.4               | 20/15                                      | 12/14 (3/2)                                                   | 8/14 (8.4/2)    | 6/14 (14/2)     | 6/12 (14/3)      |
| 1     | 115/230 | 1    | 18.6/9.3               | 30/20                                      | 10/14 (5.5/2)                                                 | 8/14 (8.4/2)    | 6/12 (14/3)     | 4/10 (21/5.5)    |
| 1-1/2 | 115/230 | 1    | 22.0/11.0              | 45/25                                      | 10/14 (5.5/2)                                                 | 8/12 (8.4/3)    | 6/12 (14/3)     | 4/10 (21/5.5)    |
| 2     | 115/230 | 1    | 22.6/11.3              | 45/25                                      | 10/14 (5.5/2)                                                 | 6/12 (14/3)     | 6/12 (14/3)     | 4/10 (21/5.5)    |
| 2     | 230/460 | 3    | 8.6/4.3                | 20/10                                      | 14/14 (2/2)                                                   | 14/14 (2/2)     | 12/14 (3/2)     | 12/14 (3/2)      |
| 3     | 208-230 | 1    | 15.0-13.3              | 35                                         | 12 (3)                                                        | 12 (3)          | 10 (5.5)        | 8 (8.4)          |
| 5     | 230     | 1    | 25.4                   | 60                                         | 8 (8.4)                                                       | 8 (8.4)         | 8 (8.4)         | 8 (8.4)          |
| 5     | 230/460 | 3    | 11.8/5.9               | 15                                         | 14/14 (2/2)                                                   | 14/14 (2/2)     | 12/14 (3/2)     | 10/14 (5.5/2)    |

## CEBADO DE LA BOMBA

El cebado se refiere al momento en que la bomba expulsa todo el aire en el sistema y comienza a mover agua desde su fuente hacia el sistema. No hace referencia solo a verter agua en la bomba (aunque verter agua generalmente es el primer paso).

1. Asegúrese de que las válvulas de succión y descarga y todas las mangueras del lado de la descarga de la bomba estén abiertas.
2. Quite el tapón de cebado. Llene la bomba y la tubería de succión con agua (figura 9). NUNCA ponga en funcionamiento la bomba en seco. Poner en funcionamiento la bomba sin agua daña las juntas y puede derretir el impulsor y difusor. Asegúrese de que la descarga (válvula, boquilla de manguera de agarre de pistola, etc.) esté abierta cuando la bomba esté en funcionamiento.
  - ♦ Si se ha proporcionado un empalme T de cebado y tapón para un tramo horizontal largo, asegúrese de llenar la tubería de succión a través de esta T y reemplace el tapón. Recuerde encintar el tapón.
  - ♦ Reemplazar el tapón de cebado existente por uno que incluya manómetro y buje reductor facilitará el desempeño de la resolución de problemas de la bomba.

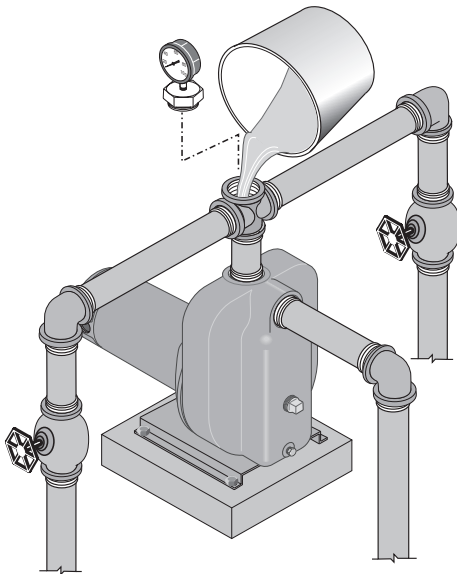
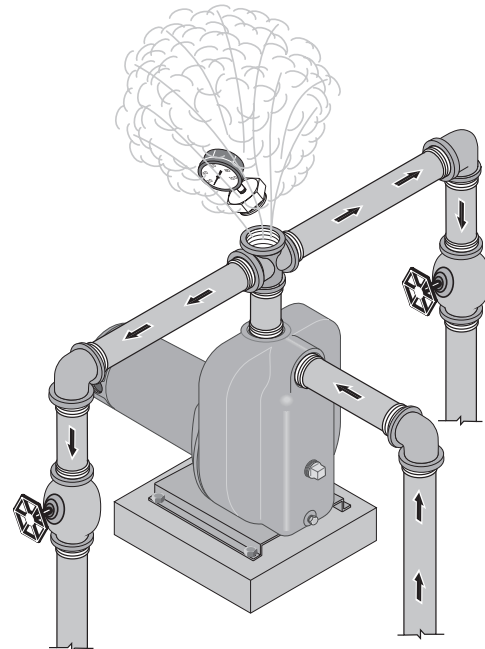


FIGURA 9 - quite el tapón de cebado y llene la bomba antes de comenzar

3. Encienda la bomba. Debe comenzar a producir agua en 10 minutos o menos. El tiempo depende de la profundidad del agua del pozo y la longitud del tramo horizontal. Si no se genera agua a los 10 minutos, detenga la bomba, libere toda la presión, quite el tapón de cebado, vuelva a cargar e intente nuevamente.

**ADVERTENCIA PRESIÓN PELIGROSA, RIESGO DE EXPLOSIÓN Y QUEMADURA CON AGUA HIRVIENDO.** Si la bomba funciona continuamente sin flujo (es decir, con la descarga cerrada o sin estar cebada), el agua puede hervir en la bomba y el sistema de tubería. Con la presión del vapor, se pueden romper las tuberías, volar las partes o los puertos de la bomba y quemar cualquier persona que esté cerca.



3026 0997

FIGURA 10 - NO ponga en funcionamiento la bomba con la descarga cerrada

## MANTENIMIENTO

No es necesario que se desconecte la bomba y la tubería para reparar o reemplazar el motor o junta.

Si se reemplaza el motor, se debe instalar una nueva junta del eje. Tenga disponible una junta del eje extra para usarla en caso de necesitarla a futuro.

Verifique la etiqueta del motor para obtener indicaciones de lubricación. La junta del eje mecánica en la bomba se lubrica con agua y se autoajusta.

### DESMONTAJE DE LA BOMBA

Drene la bomba cuando la desconecte del servicio o cuando haya posibilidad de congelamiento.

1. Desconecte el motor del suministro eléctrico.
2. Marque los cables para el ensamblaje correcto.
3. Libere toda la presión de agua del sistema.
4. Retire el tapón de drenaje y la bomba de drenaje.
5. Retire los tornillos con cabeza que fijan la placa selladora al cuerpo de la bomba. Ahora podrá retirar el ensamblaje del motor y la placa de sellado del cuerpo de la bomba (figura 11).
6. Extraiga la junta con CUIDADO.

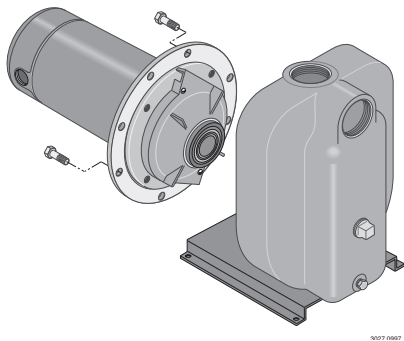


FIGURA 11 - DESLIZAR EL MOTOR HACIA ATRÁS

### LIMPIEZA/REEMPLAZO IMPULSOR

1. Siga las indicaciones en "Desmontaje de la bomba".
2. Quite los tornillos que sujetan el difusor a la placa selladora.

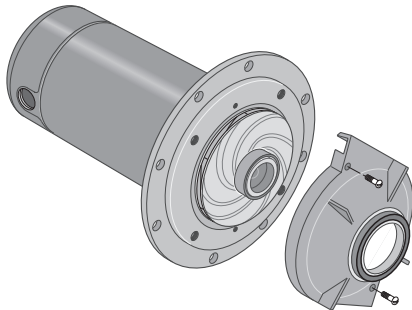


FIGURA 12 - QUITAR EL DIFUSOR

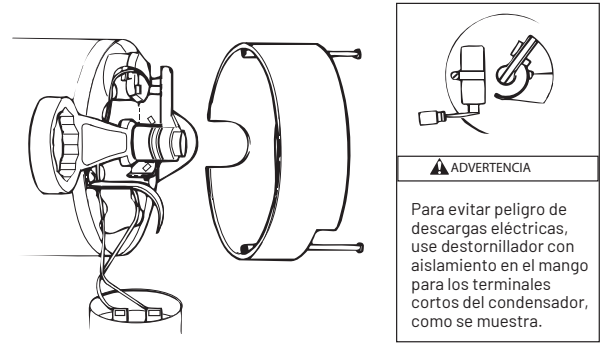


FIGURA 13 - SOSTENER EL EJE

3. Quite el difusor (figura 12). El impulsor expuesto ahora se puede limpiar.
4. Si se debe reemplazar el impulsor, afloje dos tornillos de la máquina y quite la cubierta del motor (figura 13).
5. **ADVERTENCIA** **EL VOLTAJE DEL CONDENSADOR PUEDE SER PELIGROSO.** Para descargar el condensador, sostenga el destornillador **POR EL MANGO** con aislamiento y los terminales cortos del condensador juntos (figura 13). No toque el vástago de metal del destornillador ni los terminales del condensador. En caso de dudas, consulte con un electricista calificado.
6. Afloje la abrazadera del condensador y quite el condensador. No desconecte los cables del condensador que van al motor.
7. Deslice una llave de extremo abierto de 7/16" detrás del interruptor con resortes en el extremo del eje del motor. Sostenga el eje del motor con una llave en las bridas del eje y desatornille el tornillo del impulsor (si se utiliza) al girar en sentido horario (rosca izquierda) mirando dentro del ojo del impulsor.
8. Desatornille el impulsor mientras sostiene el eje al girar en sentido antihorario mirando dentro del ojo del impulsor.
9. Para volver a instalar, revierta los pasos 1 a 6 y siga las indicaciones en la sección "Rearmado de la bomba" a continuación.

### RETIRO DE LA JUNTA VIEJA

1. Siga las indicaciones en "Desmontaje de la bomba".
2. Siga los pasos 2 a 5 en "Limpieza/reemplazo del impulsor".

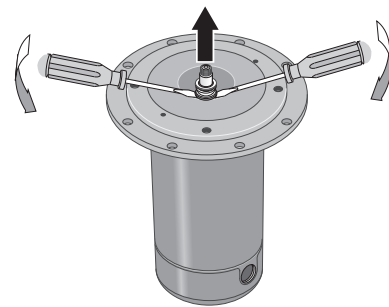


FIGURA 14 - QUITAR LA PLACA SELLADORA

# MANTENIMIENTO

- Quite al rotar la mitad del sello y coloque dos destornilladores debajo del aro sellador, cuidadosamente haga palanca hacia arriba (figura 14).
- Retire las tuercas de los pasadores mientras sostiene la placa selladora del motor. Cuidadosamente deslice la placa selladora hacia afuera del eje.

Tenga cuidado de no rayar o estropear el eje. Si se estropea el eje, se debe alisar con lima fina o paño pulidor de metales antes de instalar la nueva junta. ¡NO reduzca el diámetro del eje!

- Coloque la placa selladora con la mitad de la cara hacia abajo sobre una superficie plana y dé un golpecito para retirar la mitad fija de la junta (figura 15).

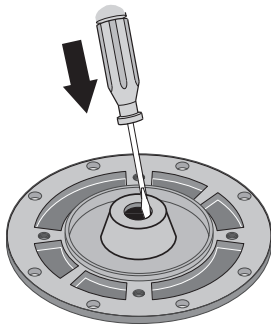


FIGURA 15 - GOLPECITO PARA RETIRAR JUNTA

## INSTALACIÓN DE UNA JUNTA NUEVA

Las juntas y las juntas tóricas no son intercambiables por modelos. Asegúrese de instalar el tipo de junta o junta tórica que quitó.

- Limpie la cavidad de la junta en la placa selladora.
- Humedezca con moderación con jabón líquido el borde externo de la copa de goma en el asiento de cerámica.
- Coloque la arandela de cartón limpia en la cara de la junta. La cara pulida del sello de cerámica debe quedar hacia arriba. Presione con firmeza y directamente el sello de cerámica en la cavidad usando solamente la presión de la mano.
- Si el sello no encaja correctamente:
  - Quite el sello, coloque el lado pulido hacia arriba en el banco. Vuelva a limpiar la cavidad e instale como se describe en el paso anterior.
  - Si la junta no encaja correctamente después de volver a limpiar la cavidad, coloque una arandela de cartón sobre la cara pulida del sello y presione con cuidado en el lugar con una pieza de tubería estándar de 3/4 pulgadas, sea cuidadoso cuando presione para no rayar la cara de la junta.
- Deseche la arandela de cartón y vuelva a verificar que la cara de la junta no tenga nada de polvo, partículas extrañas, rayones o grasa.
- Inspeccione el eje para asegurarse de que no tenga mellas ni rayones.
- Rearme la mitad del cuerpo de la bomba hasta la brida del motor. **ASEGURESE** de que esté correctamente hacia arriba.
- Aplique jabón líquido con moderación (una gota es suficiente) en el diámetro interno de la pieza giratoria de la junta.
- Deslice la pieza giratoria de la junta (la cara de carbón primero) en el eje hasta el aro de goma de la transmisión

haga tope con el eje.

Asegúrese de no mellar ni rayar la cara de carbón de la junta al pasarla por el extremo del eje roscado o el apoyo del eje. La superficie de carbón debe permanecer limpia o la junta tendrá una vida útil corta.

- Sostenga el eje del motor con una llave de extremo abierto de 7/16" en las bridas del eje y atornille el impulsor en el eje. Tenga cuidado de no tocar los terminales del condensador con el cuerpo o algún objeto de metal. Al ajustar el impulsor la junta se ubicará automáticamente en la posición correcta.

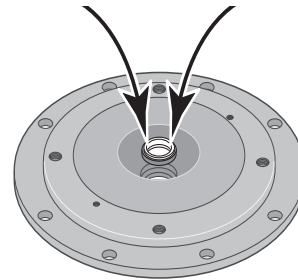


FIGURA 16 - PRESIONAR LA NUEVA JUNTA

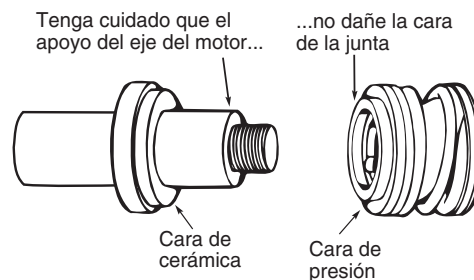


FIGURA 17 - PROTEGER LAS CARAS DE LA JUNTA

- Reemplace el tornillo del impulsor (si se utilizó) al girar en sentido antihorario (rosca izquierda) en el extremo del eje.
- Vuelva a colocar el difusor en la placa selladora con dos tornillos.
- Siga las indicaciones en "Rearmado de la bomba".

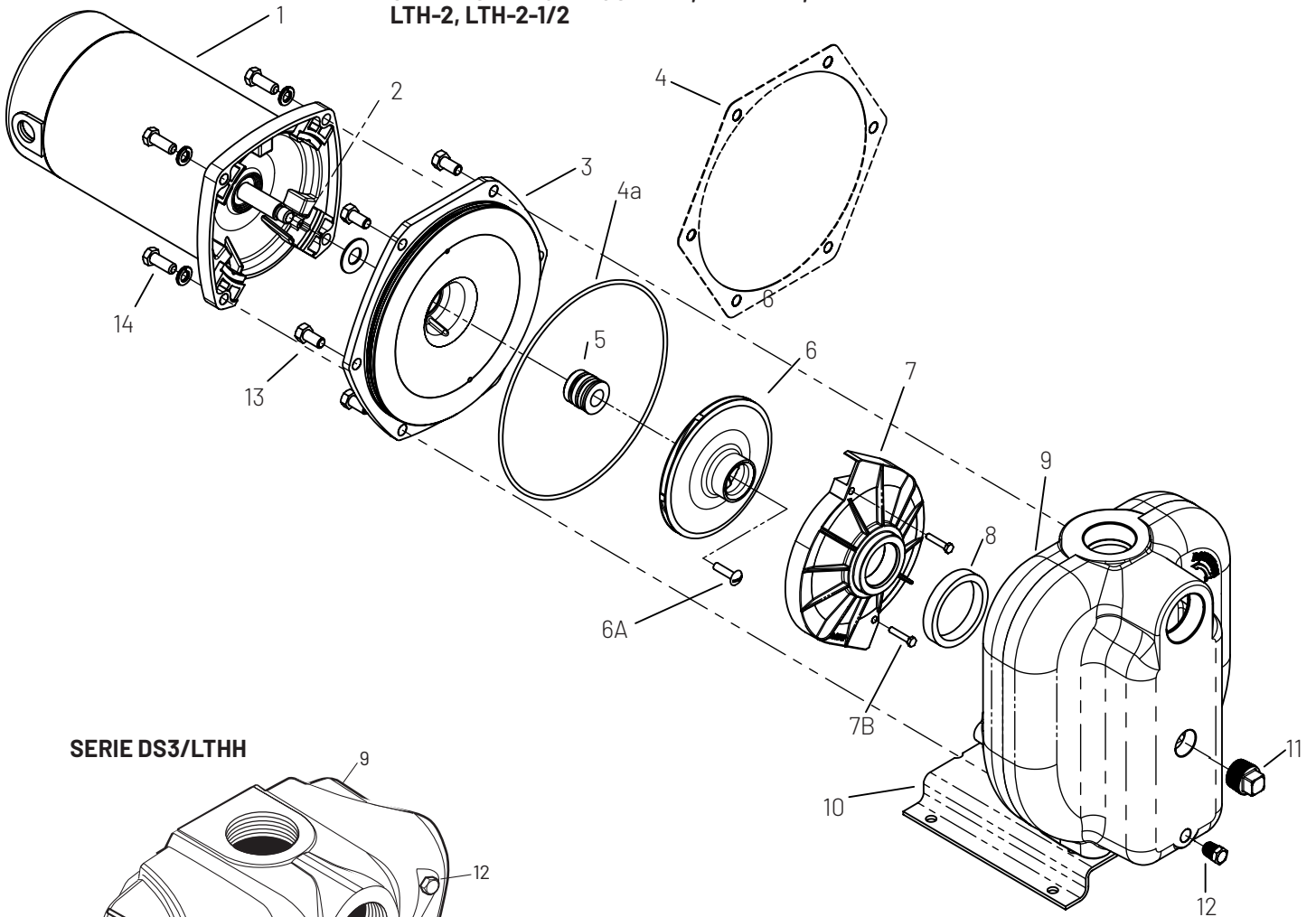
## REARMADO DE LA BOMBA

- Instale una nueva junta o junta tórica. Tenga en cuenta que para reemplazar debe usar la misma con la que la bomba se fabricó originalmente.
- Deslice el ensamblaje del motor/placa selladora en el cuerpo de la bomba. Sujete con tornillos con cabeza.
- Reemplace los pernos de montaje de la base.
- Reemplace el cableado del motor; cierre la válvula de drenaje.
- Cebe la bomba según las instrucciones. Consulte "Funcionamiento".
- Revise en busca de fugas.

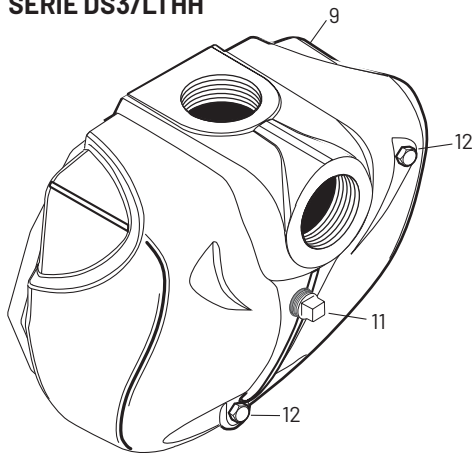
**ESTA PÁGINA SE DEJÓ EN BLANCO DE MANERA INTENCIONAL**

# PARTES DE REPUESTO

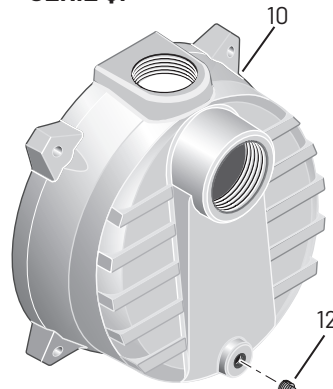
## SERIE DS2 Y MODELOS LTH-1, LTH-1-1/2, LTH-2, LTH-2-1/2



## SERIE DS3/LTHH



## SERIE QP





# PARTES DE REPUESTO

## MODELOS BERKELEY

| N.º DE REFERENCIA | DESCRIPCIÓN                                                | CANTIDAD | S40058/<br>S40061 | S40063/<br>S40065 | S40067/<br>S40069 | S40071         | 10LTHH/<br>10LTHH3 | 15LTHH/<br>15LTHH3 | 20LTHH/<br>20LTHH3 | 25LTHH/<br>25LTHH3 |
|-------------------|------------------------------------------------------------|----------|-------------------|-------------------|-------------------|----------------|--------------------|--------------------|--------------------|--------------------|
|                   |                                                            |          | 1 HP              | 1-1/2 HP          | 2 HP              | 2-1/2 HP       | 1 HP               | 1-1/2 HP           | 2 HP               | 2-1/2 HP           |
| 1                 | Motor - 115/230V, 1ph                                      | 1        | J218-1653         | J218-1655         | J218-1656         | J218-1657      | J218-1653          | J218-1655          | J218-1656          | J218-1657          |
| 1                 | Motor - 230/460V, 3ph                                      | 1        | AP100EL           | AP100FL           | AP100GL           | AP100G5L       | AP100EL            | AP100FL            | AP100GL            | AP100G5L           |
| 2                 | Deflector de agua                                          | 1        | 17351-0009        | 17351-0009        | 17351-0009        | 17351-0009     | 17351-0009         | 17351-0009         | 17351-0009         | 17351-0009         |
| 3                 | Placa selladora                                            | 1        | C3-155-SR         | C3-155-SR         | C3-117            | C3-117         | C3-155-SR          | C3-155-SR          | C3-117             | C3-117             |
| 4                 | Junta de la placa selladora                                | 1        | C20-86N           | C20-86N           | C20-87N           | C20-87N        | C20-86N            | C20-86N            | C20-87N            | C20-87N            |
| 4A                | Junta tórica de placa selladora                            | 1        | 25276             | 25276             | 34516             | 34516          | 25276              | 25276              | 34516              | 34516              |
| 5                 | Junta del eje                                              | 1        | U109-6B           | U109-6B           | U109-6B           | U109-6B        | U109-6B            | U109-6B            | U109-6B            | U109-6B            |
| 6                 | Impulsor - 1ph                                             | 1        | C105-92PKB        | C105-92PCB        | C105-214PDA       | C105-214PA     | C105-92PKB         | C105-92PCB         | C105-214PDA        | C105-214PA         |
| 6                 | Impulsor - 3ph                                             | 1        | C105-92PKBA       | C105-92PCBA       | C105-214PDA       | C105-214PA     | C105-92PKBA        | C105-92PCA         | C105-214PDA        | C105-214PA         |
| 6A                | Tornillo del impulsor - 1ph                                | 1        | -                 | -                 | C30-14SS          | C30-14SS       | -                  | -                  | C30-14SS           | C30-14SS           |
| 6A                | Tornillo del impulsor - 3ph                                | 1        | C30-14SS          | C30-14SS          | C30-14SS          | C30-14SS       | C30-14SS           | C30-14SS           | C30-14SS           | C30-14SS           |
| 7                 | Difusor                                                    | 1        | C101-276P         | C101-276P         | C101-182          | C101-182       | C101-276P          | C101-276P          | C101-182           | C101-182           |
| 7A                | Tornillos de difusor - 1/4 - 20 x 1" de largo              | 2        | U30-696SS         | U30-696SS         | -                 | -              | U30-696SS          | U30-696SS          | -                  | -                  |
| 7A                | Tornillos de difusor - 8 - 32 x 7/8" de largo              | 2        | -                 | -                 | U30-53SS          | U30-53SS       | -                  | -                  | U30-53SS           | U30-53SS           |
| 8                 | Aro para difusor                                           | 1        | C21-10            | C21-10            | C21-2             | C21-2          | C21-10             | C21-10             | C21-2              | C21-2              |
| 9                 | Cuerpo de la bomba                                         | 1        | C76-49B           | C76-49B           | C76-50            | C76-50         | C76-67E            | C76-67E            | C76-68E            | C76-68E            |
| 10                | Base                                                       | 1        | U4-5              | U4-5              | U4-5              | U4-5           | C4-82              | C4-82              | C4-82              | C4-82              |
| 11                | Tapón para tubería - 3/4" cabeza cuadrada                  | 1        | U78-60ZPS         | U78-60ZPS         | U78-60ZPS         | U78-60ZPS      | U78-60ZPS          | U78-60ZPS          | U78-60ZPS          | U78-60ZPS          |
| 12                | Tapón para tubería - 1/4" cabeza hexagonal                 | 2        | U78-941ZPV (1)    | U78-941ZPV (1)    | U78-941ZPV (1)    | U78-941ZPV (1) | U78-941ZPV         | U78-941ZPV         | U78-941ZPV         | U78-941ZPV         |
| 13                | Tornillo de cabeza hexagonal - 3/8" - 16 x 3/4" de largo   | 8        | U30-72ZP          | U30-72ZP          | -                 | -              | U30-72ZP           | U30-72ZP           | -                  | -                  |
| 13                | Tornillo de cabeza hexagonal - 5/16" - 18 x 3/4" de largo  | 8        | -                 | -                 | U30-60ZP          | U30-60ZP       | -                  | -                  | U30-60ZP           | U30-60ZP           |
| 14                | Tornillo de cabeza hexagonal - 3/8" - 16 x 1-1/4" de largo | ( )      | U30-75ZP (4)      | U30-75ZP (4)      | -                 | -              | -                  | -                  | -                  | -                  |
| 14                | Tornillo de cabeza hexagonal - 3/8" - 16 x 1" de largo     | ( )      | -                 | U30-74ZP (4)      | U30-74ZP (4)      | U30-74ZP** (4) | U30-74ZP (2)       | U30-74ZP (2)       | U30-74ZP (4)       | U30-74ZP** (4)     |
| *                 | Arandela de seguridad - 3/8"                               | ( )      | U43-12ZP (8)      | U43-12ZP (8)      | U43-12ZP (8)      | U43-12ZP (8)   | U43-12ZP (2)       | U43-12ZP (2)       | U43-12ZP (2)       | U43-12ZP (2)       |

\* Sin imagen

\*\* 25LTHH3 usos U30-99S

# PARTES DE REPUESTO

## MODELOS MYERS

| N.º DE REFERENCIA | DESCRIPCIÓN                                                   | CANTIDAD | QP7                 | QP10-01/<br>QP10B-01   | QP15-01/<br>QP15B-01   | QP20/ QP20-3        | QP30       | QP50B/<br>QP50B-3 |
|-------------------|---------------------------------------------------------------|----------|---------------------|------------------------|------------------------|---------------------|------------|-------------------|
|                   |                                                               |          | 3/4 HP              | 1 HP                   | 1-1/2 HP               | 2 HP                | 3 HP       | 5 HP              |
| 1                 | Motor - 115/230V, 1ph                                         | 1        | 20934A000-<br>BK-KT | 20935A000-<br>BK-01-KT | 20589A000-<br>BK-01-KT | 20591A000-<br>BK-KT | -          | -                 |
| 1                 | Motor - 230 V, 1ph                                            | 1        | -                   | -                      | -                      | -                   | 20592A000K | 26579A000         |
| 1                 | Motor - 230/460V, 3ph                                         | 1        | -                   | -                      | -                      | 20596A000K          | -          | C218-182BD-01     |
| 2                 | Deflector de agua                                             | 1        | 17351-0009          | 17351-0009             | 17351-0009             | 17351-0009          | 17351-0009 | S12260            |
| 3                 | Soporte                                                       | 1        | 20598D100W          | 20598D100W             | 20598D100W             | 20598D100W          | 20598D100W | 26545E000         |
| 4                 | Junta del soporte                                             | 1        | 05014A167           | 05014A167              | 05014A167              | 05014A167           | 05014A167  | -                 |
| 4A                | Junta tórica del soporte                                      | 1        | -                   | -                      | -                      | -                   | -          | 05876A138         |
| 5                 | Junta del eje                                                 | 1        | 14525A000K          | 14525A000K             | 14525A000K             | 14525A000K          | 14525A000K | 21181A016K        |
| 6                 | Impulsor - Compuesto                                          | 1        | -                   | 20600B003              | 20601B003              | -                   | -          | -                 |
| 6                 | Impulsor - Latón                                              | 1        | 20599B000K          | 20600B000K             | 20601B000K             | 20602B000K          | 20603B000K | 26546C000         |
| 6A                | Tuerca del impulsor -<br>Impulsores de latón                  | 1        | U36-33SS            | U36-33SS               | U36-33SS               | U36-33SS            | U36-33SS   | 26583A000         |
| 7                 | Difusor                                                       | 1        | 20559D000K          | 20559D000K             | 20560D000K             | 20560D000K          | 20561D000K | 26547D000         |
| 7A                | Tornillos de difusor - 1/4 -<br>20 x 1-1/2" de largo          | 3        | 19099A014           | 19099A014              | 19099A014              | 19099A014           | 19099A014  | -                 |
| 7A                | Tornillos de difusor - 1/2 -<br>20 x 1-3/4" de largo          | 3        | -                   | -                      | -                      | -                   | -          | 19099A022         |
| 8                 | Aro para difusor                                              | 1        | 05014A166           | 05014A166              | 05014A166              | 05014A166           | 05014A166  | 05876A059         |
| 9                 | Cuerpo de la bomba                                            | 1        | 20604D100W          | 20604D100W             | 20604D100W             | 20604D100W          | 20604D100W | 26544D000         |
| 10                | Base                                                          | 1        | -                   | -                      | -                      | -                   | -          | 26579B000         |
| 11                | Tapón para tubería - 3/4"<br>cabeza cuadrada                  | 1        | -                   | -                      | -                      | -                   | -          | -                 |
| 12                | Tapón para tubería - 1/4"<br>cabeza hexagonal                 | 1        | U78-941ZPV          | U78-941ZPV             | U78-941ZPV             | U78-941ZPV          | U78-941ZPV | U78-941ZPV        |
| 13                | Tornillo de cabeza hexagonal<br>- 7/16 - 14 x 1-1/2" de largo | 4        | 19102A012           | 19102A012              | 19102A012              | 19102A012           | 19102A012  | -                 |
| 13                | Tornillo de cabeza hexagonal<br>- 3/8" - 16 x 1-3/4" de largo | 4        | -                   | -                      | -                      | -                   | -          | S23625            |
| 14                | Tornillo de cabeza hexagonal<br>- 3/8" - 16 x 7/8" de largo   | 4        | U30-73ZP            | U30-73ZP               | U30-73ZP               | U30-73ZP            | U30-73ZP   | -                 |
| 14                | Tornillo de cabeza hexagonal<br>- 3/8" - 16 x 1-1/4" de largo | 4        | -                   | -                      | -                      | -                   | -          | U30-74ZP          |
| *                 | Arandela de presión - 3/8"                                    | 4        | -                   | -                      | -                      | -                   | -          | U43-12ZP**        |

\* Sin imagen

\*\* QP50B-3 usa 8

# PARTES DE REPUESTO

## MODELOS STA-RITE

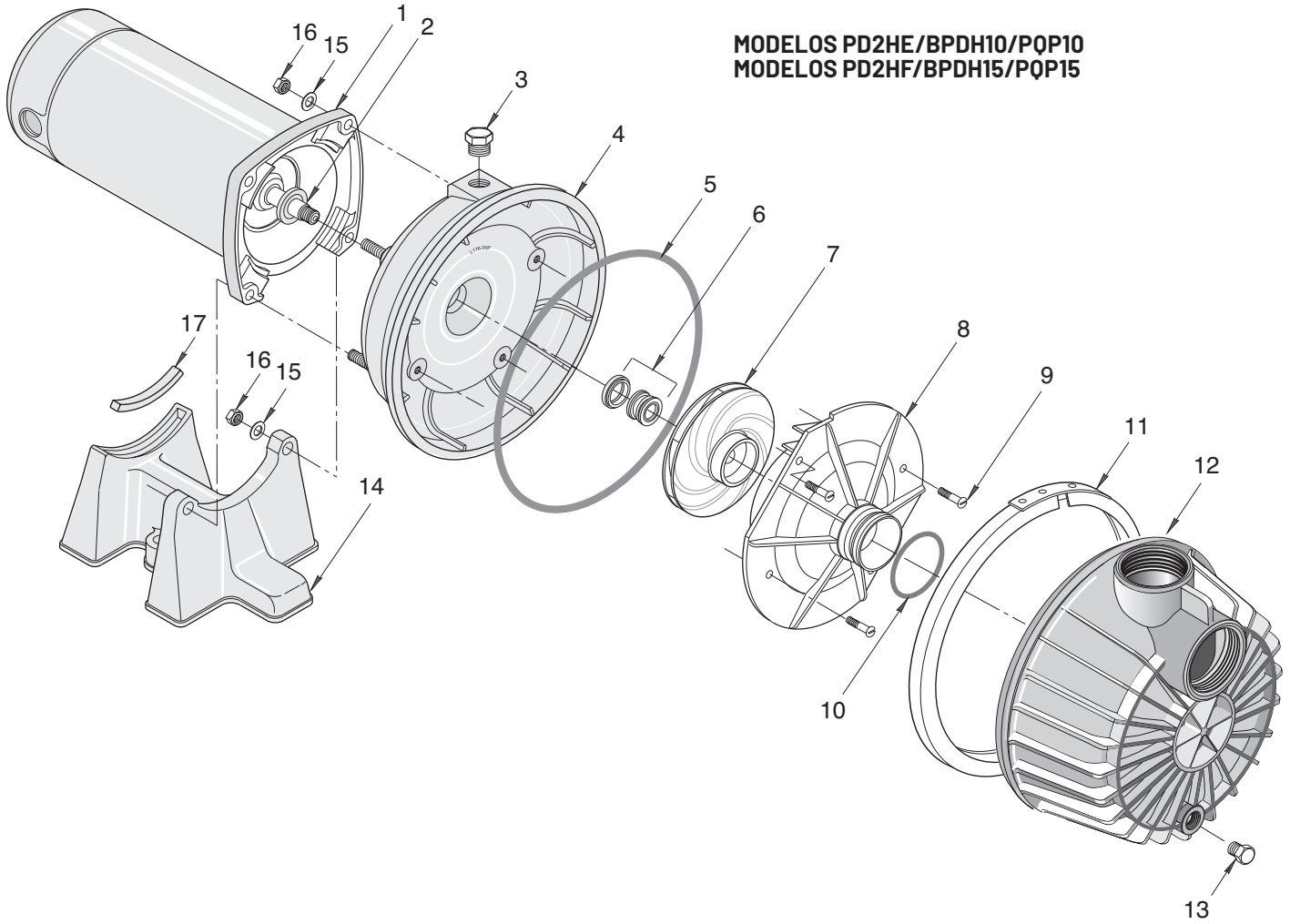
| N.º DE REFERENCIA | DESCRIPCIÓN                                               | CANTIDAD | DS2HE-191PL/<br>DS2HE3-191P | DS2HF-192PL/<br>DS2HF3-192P | DS2HG-102L/<br>DS2HG3-102 | DS2HHG-53L/<br>DS2HHG3-53 | DS3HE-01/<br>DS3HE3-01 | DS3HF-01/<br>DS3HF3-01 | DS3HG-01/<br>DS3HG3-01 | DS3HHG-01/<br>DS3HHG3-01 |
|-------------------|-----------------------------------------------------------|----------|-----------------------------|-----------------------------|---------------------------|---------------------------|------------------------|------------------------|------------------------|--------------------------|
|                   |                                                           |          | 1 HP                        | 1-1/2 HP                    | 2 HP                      | 2-1/2 HP                  | 1 HP                   | 1-1/2 HP               | 2 HP                   | 2-1/2 HP                 |
| 1                 | Motor - 115/230V, 1ph                                     | 1        | J218-1653                   | J218-1655                   | J218-1656                 | J218-1657                 | J218-1653              | J218-1655              | J218-1656              | J218-1657                |
| 1                 | Motor - 230/460V, 3ph                                     | 1        | AP100EL                     | AP100FL                     | AP100GL                   | AP100G5L                  | AP100EL                | AP100FL                | AP100GL                | AP100G5L                 |
| 2                 | Deflector de agua                                         | 1        | 17351-0009                  | 17351-0009                  | 17351-0009                | 17351-0009                | 17351-0009             | 17351-0009             | 17351-0009             | 17351-0009               |
| 3                 | Placa selladora                                           | 1        | C3-155-SR                   | C3-155-SR                   | C3-117                    | C3-117                    | C3-155-SR              | C3-155-SR              | C3-117                 | C3-117                   |
| 4                 | Junta de la placa selladora                               | 1        | C20-86N                     | C20-86N                     | C20-87N                   | C20-87N                   | C20-86N                | C20-86N                | C20-87N                | C20-87N                  |
| 4A                | Junta tórica de placa selladora                           | 1        | 25276                       | 25276                       | 34516                     | 34516                     | 25276                  | 25276                  | 34516                  | 34516                    |
| 5                 | Junta del eje                                             | 1        | U109-6B                     | U109-6B                     | U109-6B                   | U109-6B                   | U109-6B                | U109-6B                | U109-6B                | U109-6B                  |
| 6                 | Impulsor - 1ph                                            | 1        | C105-92PKB                  | C105-92PCB                  | C105-214PDA               | C105-214PA                | C105-92PKB             | C105-92PC              | C105-214PDA            | C105-214PA               |
| 6                 | Impulsor - 3ph                                            | 1        | C105-92PKBA                 | C105-92PCBA                 | C105-214PDA               | C105-214PA                | C105-92PKBA            | C105-92PCA             | C105-214PDA            | C105-214PA               |
| 6A                | Tornillo del impulsor - 1ph                               | 1        | -                           | -                           | C30-14SS                  | C30-14SS                  | -                      | -                      | C30-14SS               | C30-14SS                 |
| 6A                | Tornillo del impulsor - 3ph                               | 1        | C30-14SS                    | C30-14SS                    | C30-14SS                  | C30-14SS                  | C30-14SS               | C30-14SS               | C30-14SS               | C30-14SS                 |
| 7                 | Difusor                                                   | 1        | C101-276P                   | C101-276P                   | C101-182                  | C101-182                  | C101-276P              | C101-276P              | C101-182               | C101-182                 |
| 7A                | Tornillos de difusor - 1/4 - 20 x 1" de largo             | 2        | U30-696SS                   | U30-696SS                   | -                         | -                         | U30-696SS              | U30-696SS              | -                      | -                        |
| 7A                | Tornillos de difusor - 8 - 32 x 7/8" de largo             | 2        | -                           | -                           | U30-53SS                  | U30-53SS                  | -                      | -                      | U30-53SS               | U30-53SS                 |
| 8                 | Aro para difusor                                          | 1        | C21-10                      | C21-10                      | C21-2                     | C21-2                     | C21-10                 | C21-10                 | C21-2                  | C21-2                    |
| 9                 | Cuerpo de la bomba                                        | 1        | C76-49B                     | C76-49B                     | C76-50                    | C76-50                    | C76-67E                | C76-67E                | C76-68E                | C76-68E                  |
| 10                | Base                                                      | 1        | U4-5                        | U4-5                        | U4-5                      | U4-5                      | C4-82                  | C4-82                  | C4-82                  | C4-82                    |
| 11                | Tapón para tubería - 3/4" cabeza cuadrada                 | 1        | U78-60ZPS                   | U78-60ZPS                   | U78-60ZPS                 | U78-60ZPS                 | U78-60ZPS              | U78-60ZPS              | U78-60ZPS              | U78-60ZPS                |
| 12                | Tapón para tubería - 1/4" cabeza hexagonal                | ( )      | U78-941ZPV (1)              | U78-941ZPV (1)              | U78-941ZPV (1)            | U78-941ZPV (1)            | U78-941ZPV (2)         | U78-941ZPV (2)         | U78-941ZPV (2)         | U78-941ZPV (2)           |
| 13                | Tornillo de cabeza hexagonal - 3/8" - 16 x 3/4" de largo  | 6        | U30-72ZP                    | U30-72ZP                    | -                         | -                         | U30-72ZP               | U30-72ZP               | -                      | -                        |
| 13                | Tornillo de cabeza hexagonal - 5/16" - 18 x 3/4" de largo | 8        | -                           | -                           | U30-60ZP                  | U30-60ZP                  | -                      | -                      | U30-60ZP               | U30-60ZP                 |
| 14                | Tornillo de cabeza hexagonal - 3/8" - 16 x 1" de largo    | ( )      | U30-74ZP (4)                | U30-74ZP (4)                | U30-74ZP (4)              | U30-74ZP** (4)            | U30-74ZP (2)           | U30-74ZP (2)           | U30-74ZP (4)           | U30-74ZP** (4)           |
| *                 | Arandela de seguridad - 3/8"                              | ( )      | U43-12ZP (8)                | U43-12ZP (8)                | U43-12ZP (8)              | U43-12ZP (8)              | U43-12ZP (2)           | U43-12ZP (2)           | U43-12ZP (2)           | U43-12ZP (2)             |

\* Sin imagen

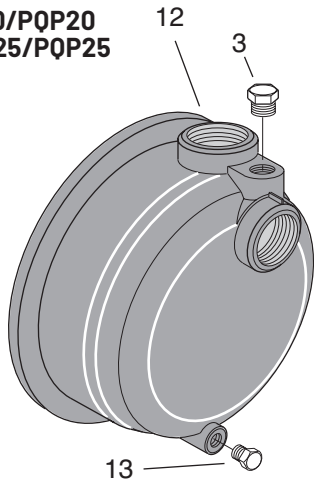
\*\* DS2HHG3-53L y DS3HHG3-01 usan U30-99S

# PARTES DE REPUESTO

MODELOS PD2HE/BPDH10/PQP10  
MODELOS PD2HF/BPDH15/PQP15



MODELOS PDHG/BPDH20/PQP20  
MODELOS PDHHG/BPDH25/PQP25



# PARTES DE REPUESTO

## MODELOS BERKELEY

| N.º DE REFERENCIA | DESCRIPCIÓN                                                                 | CANTIDAD | BPDH10-L   | BPDH15-L    | BPDH20-L    | BPDH25-L    |
|-------------------|-----------------------------------------------------------------------------|----------|------------|-------------|-------------|-------------|
|                   |                                                                             |          | 1 HP       | 1-1/2 HP    | 2 HP        | 2-1/2 HP    |
| 1                 | Motor                                                                       | 1        | J218-1653  | J218-1655   | J218-1656   | J218-1657   |
| 2                 | Deflector de agua                                                           | 1        | 17351-0009 | 17351-0009  | 17351-0009  | 17351-0009  |
| 3                 | Tapón de cebado - 1/2" NPT                                                  | 1        | WC78-39T   | WC78-39T    | WC78-39T    | WC78-39T    |
| 4                 | Placa selladora                                                             | 1        | L176-47P1  | L176-47P1   | C3-189P1    | C3-189P1    |
| 5                 | Junta tórica de placa selladora                                             | 1        | U9-399     | U9-399      | U9-228A     | U9-228A     |
| 6                 | Junta del eje                                                               | 1        | U109-6B    | U109-6B     | U109-6B     | U109-6B     |
| 7                 | Impulsor                                                                    | 1        | C105-92PVB | C105-92PBBB | C105-214PFA | C105-214PGA |
| *                 | Tornillo del impulsor - 1/4" - 20 x 1-1/4" de largo                         | 1        | -          | -           | C30-51SS    | C30-51SS    |
| 8                 | Difusor                                                                     | 1        | C1-258PCA  | C1-258PCA   | C1-274P     | C1-274P     |
| 9                 | Tornillos de difusor - 1/4 - 20 x 1" de largo                               | 4        | U30-997SS  | U30-997SS   | -           | -           |
| 9                 | Tornillos de difusor - 8 - 32 x 7/8" de largo                               | 2        | -          | -           | U30-996SS   | U30-996SS   |
| 10                | Aro para difusor                                                            | 1        | U9-226     | U9-226      | U9-393      | U9-393      |
| 11                | Abrazadera en "V"                                                           | 1        | C19-54SS   | C19-54SS    | C19-37A     | C19-37A     |
| 12                | Cuerpo de la bomba                                                          | 1        | C176-66P   | C176-66P    | C176-62P    | C176-62P    |
| 13                | Tapón de drenaje - 1/4" NPT                                                 | 1        | WC78-40T   | WC78-40T    |             |             |
| 14                | Base                                                                        | 1        | C4-42P     | C4-42P      | C4-42P      | C4-42P      |
| 15                | Arandela                                                                    | 2        | U43-61ZP   | U43-61ZP    | U43-42SS    | U43-42SS    |
| 16                | Tuerca                                                                      | 4        | U36-37ZP   | U36-37ZP    | -           | -           |
| 17                | Almohadilla de caucho                                                       | 1        | C35-11     | C35-11      | C35-11      | C35-11      |
| *                 | Tornillo de cabeza hexagonal - 3/8" - 16 x 1-3/4" de largo (Parte superior) | 2        | -          | -           | U30-77SS    | U30-77SS    |
| *                 | Tornillo de cabeza hexagonal - 3/8" - 16 x 1" de largo (Parte inferior)     | 2        | -          | -           | U30-74SS    | U30-74SS    |

\* Sin imagen

# PARTES DE REPUESTO

## MODELOS MYERS

| N.º DE REFERENCIA | DESCRIPCIÓN                                                                 | CANTIDAD | PQP10      | PQP15       | PQP20       | PQP25       |
|-------------------|-----------------------------------------------------------------------------|----------|------------|-------------|-------------|-------------|
|                   |                                                                             |          | 1 HP       | 1-1/2 HP    | 2 HP        | 2-1/2 HP    |
| 1                 | Motor                                                                       | 1        | J218-1653  | J218-1655   | J218-1656   | J218-1657   |
| 2                 | Deflector de agua                                                           | 1        | 17351-0009 | 17351-0009  | 17351-0009  | 17351-0009  |
| 3                 | Tapón de cebado - 1/2" NPT                                                  | 1        | WC78-39T   | WC78-39T    | WC78-39T    | WC78-39T    |
| 4                 | Placa selladora                                                             | 1        | L176-47P1  | L176-47P1   | C3-189P1    | C3-189P1    |
| 5                 | Junta tórica de placa selladora                                             | 1        | U9-399     | U9-399      | U9-228A     | U9-228A     |
| 6                 | Junta del eje                                                               | 1        | U109-6B    | U109-6B     | U109-6B     | U109-6B     |
| 7                 | Impulsor                                                                    | 1        | C105-92PVB | C105-92PBBB | C105-214PFA | C105-214PGA |
| *                 | Tornillo del impulsor - 1/4" - 20 x 1-1/4" de largo                         | 1        | -          | -           | C30-51SS    | C30-51SS    |
| 8                 | Difusor                                                                     | 1        | C1-258PCA  | C1-258PCA   | C1-274P     | C1-274P     |
| 9                 | Tornillos de difusor - 1/4 - 20 x 1" de largo                               | 4        | U30-997SS  | U30-997SS   | -           | -           |
| 9                 | Tornillos de difusor - 8 - 32 x 7/8" de largo                               | 2        | -          | -           | U30-996SS   | U30-997SS   |
| 10                | Aro para difusor                                                            | 1        | U9-226     | U9-226      | U9-393      | U9-393      |
| 11                | Abrazadera en "V"                                                           | 1        | C19-54SS   | C19-54SS    | C19-37A     | C19-37A     |
| 12                | Cuerpo de la bomba                                                          | 1        | C176-53P   | C176-53P    | C176-62P    | C176-62P    |
| 13                | Tapón de drenaje - 1/4" NPT                                                 | 1        | WC78-40T   | WC78-40T    |             |             |
| 14                | Base                                                                        | 1        | C4-42P     | C4-42P      | C4-42P      | C4-42P      |
| 15                | Arandela                                                                    | 2        | U43-61ZP   | U43-61ZP    | U43-42SS    | U43-42SS    |
| 16                | Tuerca                                                                      | 4        | U36-37ZP   | U36-37ZP    | -           | -           |
| 17                | Almohadilla de caucho                                                       | 1        | C35-11     | C35-11      | C35-11      | C35-15      |
| *                 | Tornillo de cabeza hexagonal - 3/8" - 16 x 1-3/4" de largo (Parte superior) | 2        | -          | -           | U30-77SS    | U30-77SS    |
| *                 | Tornillo de cabeza hexagonal - 3/8" - 16 x 1" de largo (Parte inferior)     | 2        | -          | -           | U30-74SS    | U30-74SS    |

\* Sin imagen

# PARTES DE REPUESTO

## MODELOS STA-RITE

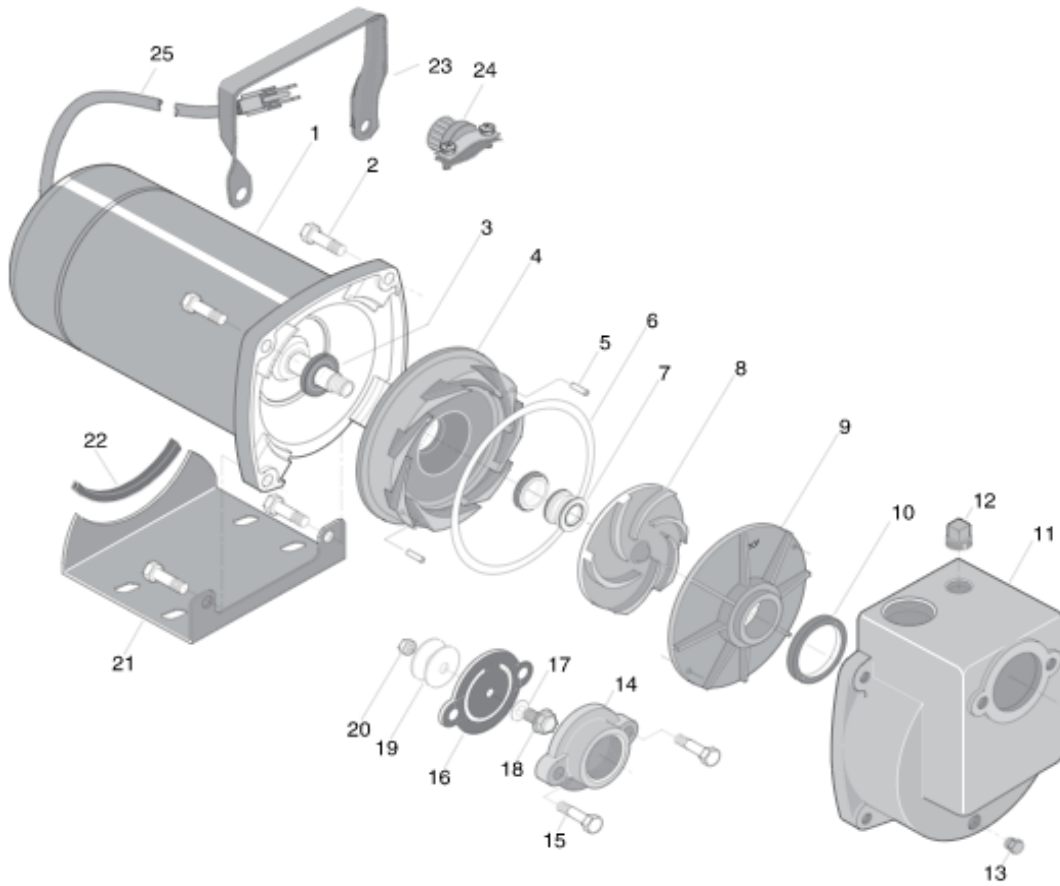
| N.º DE REFERENCIA | DESCRIPCIÓN                                                                 | CANTIDAD | PD2HE-L    | PD2HF-L     | PDHG-L      | PDHHG-L     |
|-------------------|-----------------------------------------------------------------------------|----------|------------|-------------|-------------|-------------|
|                   |                                                                             |          | 1 HP       | 1-1/2 HP    | 2 HP        | 2-1/2 HP    |
| 1                 | Motor                                                                       | 1        | J218-1653  | J218-1655   | J218-1656   | J218-1657   |
| 2                 | Deflector de agua                                                           | 1        | 17351-0009 | 17351-0009  | 17351-0009  | 17351-0009  |
| 3                 | Tapón de cebado - 1/2" NPT                                                  | 1        | WC78-39T   | WC78-39T    | WC78-39T    | WC78-39T    |
| 4                 | Placa selladora                                                             | 1        | L176-47P1  | L176-47P1   | C3-189P1    | C3-189P1    |
| 5                 | Junta tórica de placa selladora                                             | 1        | U9-399     | U9-399      | U9-228A     | U9-228A     |
| 6                 | Junta del eje                                                               | 1        | U109-6B    | U109-6B     | U109-6B     | U109-6B     |
| 7                 | Impulsor                                                                    | 1        | C105-92PVB | C105-92PBBB | C105-214PFA | C105-214PGA |
| *                 | Tornillo del impulsor - 1/4" - 20 x 1-1/4" de largo                         | 1        | -          | -           | C30-51SS    | C30-51SS    |
| 8                 | Difusor                                                                     | 1        | C1-258PCA  | C1-258PCA   | C1-274P     | C1-274P     |
| 9                 | Tornillos de difusor - 1/4 - 20 x 1" de largo                               | 4        | U30-997SS  | U30-997SS   | -           | -           |
| 9                 | Tornillos de difusor - 8 - 32 x 7/8" de largo                               | 2        | -          | -           | U30-996SS   | U30-996SS   |
| 10                | Aro para difusor                                                            | 1        | U9-226     | U9-226      | U9-393      | U9-393      |
| 11                | Abrazadera en "V"                                                           | 1        | C19-54SS   | C19-54SS    | C19-37A     | C19-37A     |
| 12                | Cuerpo de la bomba                                                          | 1        | C176-66P   | C176-66P    | C176-62P    | C176-62P    |
| 13                | Tapón de drenaje - 1/4" NPT                                                 | 1        | WC78-40T   | WC78-40T    |             |             |
| 14                | Base                                                                        | 1        | C4-42P     | C4-42P      | C4-42P      | C4-42P      |
| 15                | Arandela                                                                    | 2        | U43-61ZP   | U43-61ZP    | U43-42SS    | U43-42SS    |
| 16                | Tuerca                                                                      | 4        | U36-37ZP   | U36-37ZP    | -           | -           |
| 17                | Almohadilla de caucho                                                       | 1        | C35-11     | C35-11      | C35-11      | C35-11      |
| *                 | Tornillo de cabeza hexagonal - 3/8" - 16 x 1-3/4" de largo (Parte superior) | 2        | -          | -           | U30-77SS    | U30-77SS    |
| *                 | Tornillo de cabeza hexagonal - 3/8" - 16 x 1" de largo (Parte inferior)     | 2        | -          | -           | U30-74SS    | U30-74SS    |

\* Sin imagen

# PARTES DE REPUESTO

---

## MODELOS MDPC Y DPC





# PARTES DE REPUESTO

## MODELOS MYERS

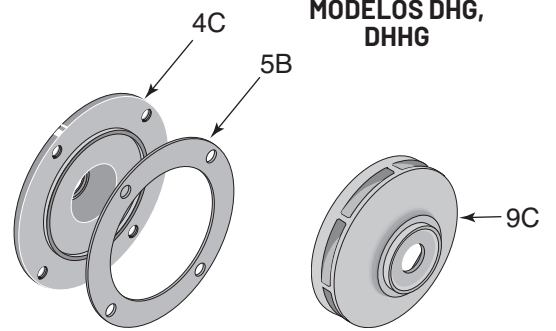
| N.º DE REFERENCIA | DESCRIPCIÓN                                     | CANTIDAD | MDPC          |
|-------------------|-------------------------------------------------|----------|---------------|
|                   |                                                 |          | 1/2 HP        |
| 1                 | Motor                                           | 1        | J218-1651-115 |
| 2                 | Tornillo de cabeza hexagonal - 3/8" - 16x1-1/2" | 4        | U30-76ZP      |
| 3                 | Deflector de agua                               | 1        | 17351-0009    |
| 4                 | Difusor de la placa selladora                   | 1        | C3-120        |
| 5                 | Pasador de rodillo 3/32 x 5/16"                 | 2        | U30-522SS     |
| 6                 | Junta de la placa selladora                     | 1        | N20-35N       |
| 7                 | Junta del eje                                   | 1        | U109-6B       |
| 8                 | Impulsor                                        | 1        | C5-184P       |
| 9                 | Tapa del difusor                                | 1        | C6-47P        |
| 10                | Aro para difusor                                | 1        | C21-11        |
| 11                | Cuerpo de la bomba                              | 1        | C76-41        |
| 12                | Tapón para tubería - 1/2" cabeza cuadrada       | 1        | U78-59ZPS     |
| 13                | Tapón para tubería - 1/4" cabeza hexagonal      | 1        | U78-941ZPV    |
| 14                | Brida - 1-1/4" NPT                              | 1        | PW16-4        |
| 15                | Tornillo cabeza hexagonal - 3/8-16 x 1"         | 2        | U30-74ZP      |
| 16                | Clapeta de la válvula de retención              | 1        | PW22-1        |
| 17                | Arandela                                        | 1        | U43-41SS      |
| 18                | Tornillo de cabeza hexagonal - 1/4-20 x 3/4"    | 1        | 37006-4652    |
| 19                | Arandela                                        | 2        | U43-138ZP     |
| 20                | Tuerca hexagonal - 1/4-20                       | 1        | U36-36ZP      |
| 21                | Base                                            | 1        | J104-9F       |
| 22                | Almohadilla de caucho                           | 1        | C35-5S        |
| 23                | Mango                                           | 1        | C54-21        |
| 24                | Aliviador de tensión                            | 1        | U71-7         |
| 25                | Cable                                           | 1        | U17-402       |

## MODELOS STA-RITE

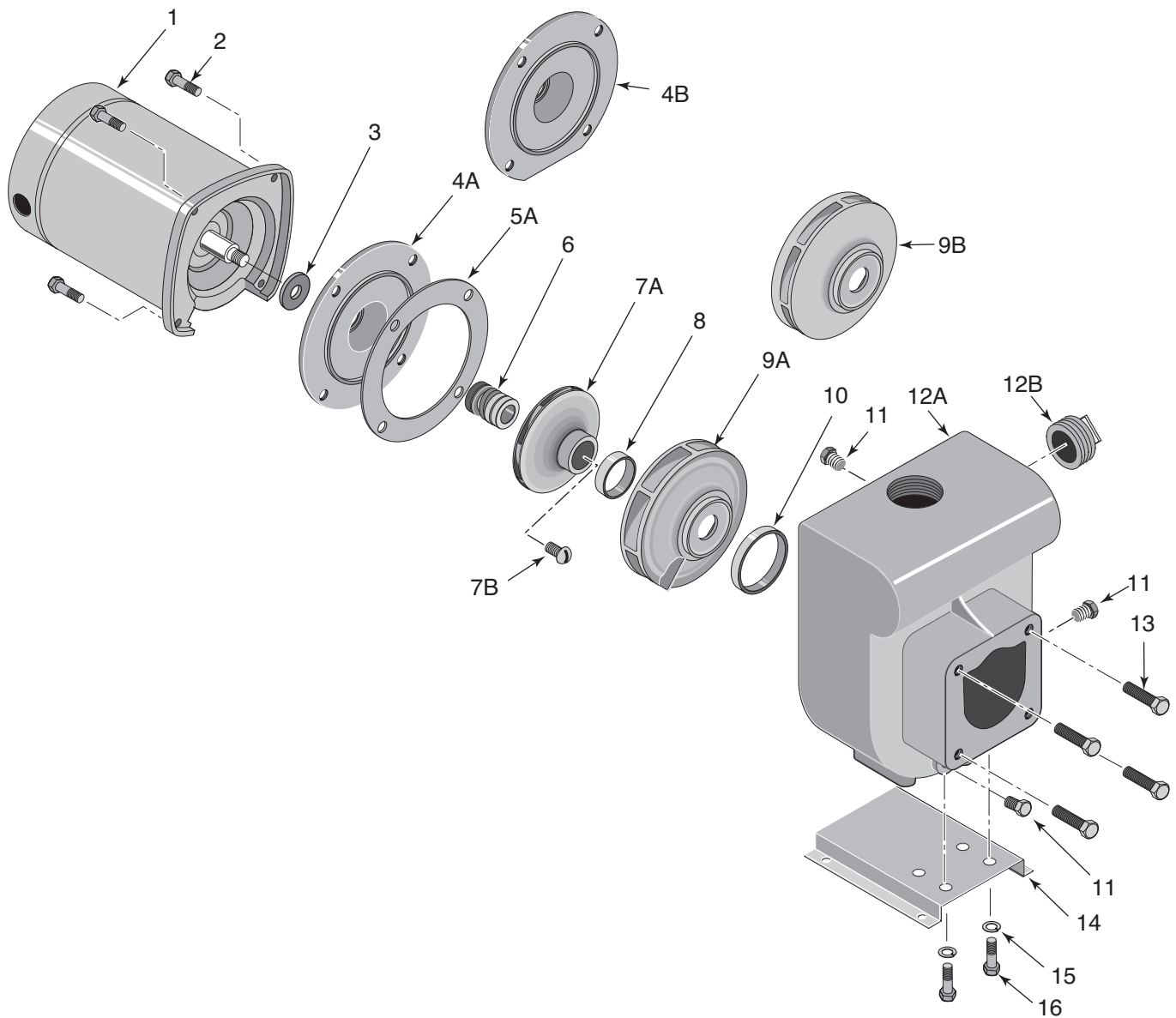
| N.º DE REFERENCIA | DESCRIPCIÓN                                     | CANTIDAD | DPC           |
|-------------------|-------------------------------------------------|----------|---------------|
|                   |                                                 |          | 1/2 HP        |
| 1                 | Motor                                           | 1        | J218-1651-115 |
| 2                 | Tornillo de cabeza hexagonal - 3/8" - 16x1-1/2" | 4        | U30-76ZP      |
| 3                 | Deflector de agua                               | 1        | 17351-0009    |
| 4                 | Difusor de la placa selladora                   | 1        | C3-120        |
| 5                 | Pasador de rodillo 3/32 x 5/16"                 | 2        | U30-522SS     |
| 6                 | Junta de la placa selladora                     | 1        | N20-35N       |
| 7                 | Junta del eje                                   | 1        | U109-6B       |
| 8                 | Impulsor                                        | 1        | C5-184P       |
| 9                 | Tapa del difusor                                | 1        | C6-47P        |
| 10                | Aro para difusor                                | 1        | C21-11        |
| 11                | Cuerpo de la bomba                              | 1        | C76-41        |
| 12                | Tapón para tubería - 1/2" cabeza cuadrada       | 1        | U78-59ZPS     |
| 13                | Tapón para tubería - 1/4" cabeza hexagonal      | 1        | U78-941ZPV    |
| 14                | Brida - 1-1/4" NPT                              | 1        | PW16-4        |
| 15                | Tornillo cabeza hexagonal - 3/8-16 x 1"         | 2        | U30-74ZP      |
| 16                | Clapeta de la válvula de retención              | 1        | PW22-1        |
| 17                | Arandela                                        | 1        | U43-41SS      |
| 18                | Tornillo de cabeza hexagonal - 1/4-20 x 3/4"    | 1        | 37006-4652    |
| 19                | Arandela                                        | 2        | U43-138ZP     |
| 20                | Tuerca hexagonal - 1/4-20                       | 1        | U36-36ZP      |
| 21                | Base                                            | 1        | J104-9F       |
| 22                | Almohadilla de caucho                           | 1        | C35-5S        |
| 23                | Mango                                           | 1        | C54-21        |
| 24                | Aliviador de tensión                            | 1        | U71-7         |
| 25                | Cable                                           | 1        | U17-402       |

# PARTES DE REPUESTO

MODELOS DHG,  
DHHG



MODELOS DHE, DHF, DMG, DMMG



# PARTES DE REPUESTO

## MODELOS STA-RITE

| N.º DE REFERENCIA | DESCRIPCIÓN                                       | CANTIDAD | DHE3-50 / DHE-50L | DHF-51L / DHF3-51 | DHG-52L / DHG3-52 | DMG-41L / DMG3-41 | DHHG-53L / DHHG3-53 | DMMG-42L / DMMG3-42 |
|-------------------|---------------------------------------------------|----------|-------------------|-------------------|-------------------|-------------------|---------------------|---------------------|
|                   |                                                   |          | 3/4 HP            | 1 HP              | 1-1/2 HP          | 2 HP              | 3 HP                | 5 HP                |
| 1                 | Motor - 115/230V, 1ph                             | 1        | J218-1653         | J218-1655         | J218-1656         | J218-1656         | J218-1657           | J218-1657           |
| 1                 | Motor - 230 V, 1ph                                | 1        | -                 | -                 | -                 | -                 | -                   | -                   |
| 1                 | Motor - 230/460V, 3ph                             | 1        | AP100EL           | AP100FL           | AP100GL           | AP100GL           | AP100G5L            | AP100G5L            |
| 2                 | Tornillo de cabeza hexagonal - 3/8" - 16 x 1-1/4" | 4        | U30-75ZP          | U30-75ZP          | -                 | U30-75ZP          | -                   | U30-75ZP            |
| 2                 | Tornillo de cabeza hexagonal - 3/8" - 16 x 1"     | 4        | -                 | -                 | U30-74ZP          | -                 | U30-74ZP            | -                   |
| 3                 | Deflector de agua                                 | 1        | 17351-0009        | 17351-0009        | 17351-0009        | 17351-0009        | 17351-0009          | 17351-0009          |
| 4A                | Placa selladora                                   | 1        | -                 | -                 | -                 | C3-23             | -                   | C3-23               |
| 4AZ               | Placa selladora                                   | 1        | C3-52             | C3-52             | -                 | -                 | -                   | -                   |
| 4C                | Placa selladora                                   | 1        | -                 | -                 | C3-35             | -                 | C3-35               | -                   |
| 5A                | Junta de la placa selladora                       | 1        | C20-21N           | C20-21N           | -                 | C20-21N           | -                   | C20-21N             |
| 5B                | Junta de la placa selladora                       | 1        | -                 | -                 | C20-46B           | -                 | C20-46B             | -                   |
| 6                 | Junta del eje                                     | 1        | U109-6B           | U109-6B           | U109-6B           | U109-6B           | U109-6B             | U109-6A             |
| 7A                | Impulsor - 1ph                                    | 1        | C105-92PLC        | C105-92PBJ        | C105-214PCA       | C105-114PNGA      | C105-214PA          | C105-80EA           |
| 7A                | Impulsor - 3ph                                    | 1        | C105-92PLXA       | C105-92PBXA       | C105-214PCA       | C105-114PNGA      | C105-214PA          | C105-80EA           |
| 7B                | Tornillo del impulsor                             | 1        | C30-14SS*         | C30-14SS*         | C30-14SS          | C30-14SS          | C30-14SS            | C30-14SS            |
| 8                 | Aro de desgaste                                   | 1        | C23-27            | C23-27            | C23-19            | C23-32D           | C23-19              | C23-32D             |
| 9A                | Difusor (incluye referencia N.º 8)                | 1        | -                 | -                 | -                 | C101-56C          | -                   | C101-72             |
| 9B                | Difusor (incluye referencia N.º 8)                | 1        | C101-212B         | C101-212B         | -                 | -                 | -                   | -                   |
| 9C                | Difusor (incluye referencia N.º 8)                | 1        | -                 | -                 | C101-77           | -                 | C101-77             | -                   |
| 10                | Aro para difusor                                  | 1        | C21-2             | C21-2             | C21-2             | C21-2             | C21-2               | C21-2               |
| 11                | Tapón para tubería - 1/4" NPT                     | ( )      | U78-941ZPV (4)    | U78-941ZPV (4)    | U78-941ZPV (2)    | U78-941ZPV (4)    | U78-941ZPV (2)      | U78-941ZPV (4)      |
| 12 A              | Cuerpo de la bomba                                | 1        | C76-1J            | C76-1J            | C76-12            | C76-1J            | C76-12              | C76-1L              |
| 12B               | Tapón para tubería - 1-1/2" NPT                   | 1        | U78-63GPS         | U78-63GPS         | -                 | U78-63GPS         | -                   | U78-63GPS           |
| 13                | Tornillo de cabeza hexagonal - 5/16" - 18 x 3/4"  | 4        | U30-60ZP          | U30-60ZP          | U30-60ZP          | U30-60ZP          | U30-60ZP            | U30-60ZP            |
| 14                | Base                                              | 1        | U4-5              | U4-5              | U4-5              | U4-5              | U4-5                | U4-5                |
| 15                | Arandela de seguridad - 3/8"                      | ( )      | U43-12ZP(4)       | U43-12ZP(4)       | U43-12ZP(2)       | U43-12ZP(4)       | U43-12ZP(2)         | U43-12ZP(4)         |
| 16                | Tornillo de cabeza hexagonal - 3/8" - 16 x 3/4"   | ( )      | U30-72ZP(2)       | U30-72ZP(2)       | U30-72ZP(10)      | U30-72ZP(2)       | U30-72ZP(10)        | U30-72ZP(2)         |

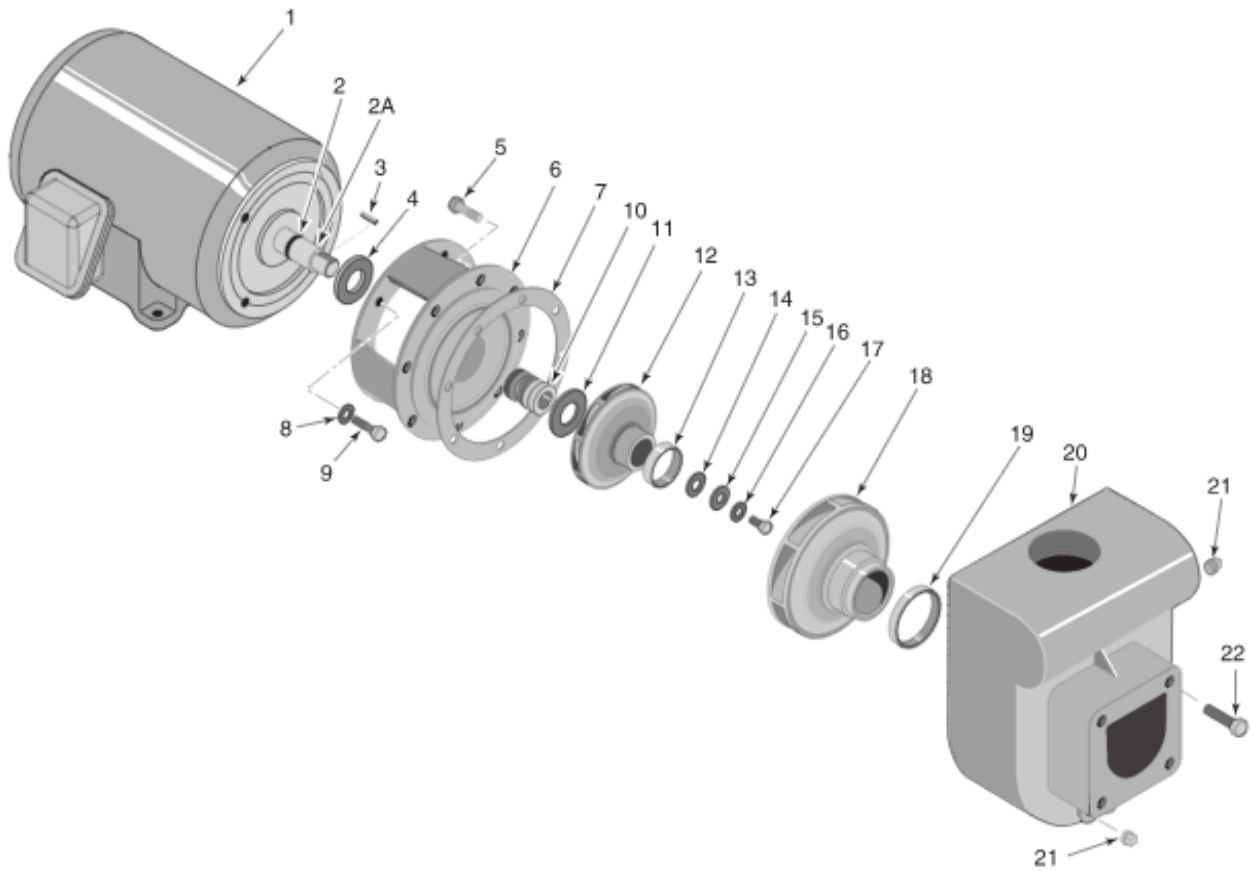
\* 3ph únicamente

## PARTES DE REPUESTO

---

MODELOS BERKELEY S40100, S40099, 40102, S40103, S40094, S40093, S40097, S40096

MODELOS STA-RITE DMH-171, DMH3-171, DM2H3-17, MJ-172, DMJ3-172, DM2J-172, DM2J3-172, DHH-169, DHH3-169, DH2H-112, DH2H3-112, DH2H3-169, DHJ-170, DHJ3-170, H2J-113, DH2J3-170



# PARTES DE REPUESTO

## MODELOS BERKELEY

| N.º DE REFERENCIA | DESCRIPCIÓN                                            | CANTIDAD | S40100 /S40099 | S40102/S40103 | S40094/S40093 | S40097/S40096 |
|-------------------|--------------------------------------------------------|----------|----------------|---------------|---------------|---------------|
|                   |                                                        |          | 3 HP           | 5 HP          | 3 HP          | 5 HP          |
| 1                 | Motor - 230 V, 60 Hz, 1ph                              | 1        | C218-177       | C218-180      | C218-177      | C218-180      |
| 1                 | Motor - 230/460V, 60 Hz, 3ph                           | 1        | C218-179       | C218-182      | C218-179      | C218-182      |
| 1                 | Motor - 200 V, 60 Hz, 1ph                              | 1        | -              | C218-192      | C218-191      | C218-192      |
| 1                 | Motor - 200 V, 60 Hz, 3ph                              | 1        | C218-178       | C218-181      | C218-178      | C218-181      |
| 2                 | Junta tórica                                           | 1        | U9-265         | U9-265        | U9-265        | U9-265        |
| 2A                | Manguito                                               | 1        | C23-58         | C23-58        | C23-58        | C23-58        |
| 3                 | Llave - Cuadrada                                       | 1        | U65-42A        | U65-42A       | U65-42A       | U65-42A       |
| 4                 | Deflector de agua - Monofásico                         | 1        | C69-15         | C69-15        | C69-15        | C69-15        |
| 4                 | Deflector de agua - 230/460V, Trifásicos               | 1        | C69-16         | C69-15        | C69-16        | C69-15        |
| 4                 | Deflector de agua - 200 V, Trifásicos                  | 1        | C69-15         | C69-15        | C69-15        | C69-15        |
| 5                 | Tornillo de cabeza - 3/8 - 16 x 7/8" de largo          | 8        | U30-73ZP       | U30-73ZP      | U30-73ZP      | U30-73ZP      |
| 6                 | Adaptador                                              | 1        | C2-66          | C2-66         | C2-66         | C2-66         |
| 7                 | Junta - Adaptador                                      | 1        | C20-46B        | C20-46        | C20-46        | C20-46        |
| 8                 | Arandela de seguridad - 3/8"                           | 6        | U43-12ZP       | U43-12ZP      | U43-12ZP      | U43-12ZP      |
| 9                 | Tornillo de cabeza hexagonal - 3/8" - 16 x 1" de largo | 4        | U30-74ZP       | U30-73ZP      | U30-73ZP      | U30-73ZP      |
| 10                | Junta del eje                                          | 1        | U109-433SS     | U109-433SS    | U109-433SS    | U109-433SS    |
| 11                | Junta - Sello                                          | 1        | C20-101        | C20-101       | C20-101       | C20-101       |
| 12                | Impulsor                                               | 1        | C5-246         | C5-247        | C5-248        | C5-249        |
| 13                | Aro de desgaste                                        | 1        | J23-5          | C23-14        | J23-5         | J23-5         |
| 14                | Junta                                                  | 1        | C20-100        | C20-100       | C20-100       | C20-100       |
| 15                | Arandela - Impulsor                                    | 1        | C43-45SS       | C43-45SS      | C43-45SS      | C43-45SS      |
| 16                | Junta                                                  | 1        | C43-46         | C43-46        | C43-46        | C43-46        |
| 17                | Tornillo - Impulsor - 3/8 - 16 x 3/4" de largo         | 1        | U30-72SS       | U30-72SS      | U30-72SS      | U30-72SS      |
| 18                | Difusor (incluye referencia N.º 13)                    | 1        | C101-126       | C101-126B     | C101-132      | C101-132      |
| 19                | Aro para difusor                                       | 1        | C21-2          | C21-2         | C21-2         | C21-2         |
| 20                | Cuerpo de la bomba                                     | 1        | C76-12         | C76-12C       | C76-12B       | C76-12        |
| 21                | Tapón para tubería - 1/4" NPT                          | 2        | U78-941ZPV     | U78-941ZPV    | U78-941ZPV    | U78-941ZPV    |
| 22                | Tornillo de cabeza - 5/16 - 18 x 3/4" de largo         | 4        | U30-60ZP       | U30-60ZP      | U30-60ZP      | U30-60ZP      |

# PARTES DE REPUESTO

## MODELOS STA-RITE

| N.º DE REFERENCIA | DESCRIPCIÓN                                               | CANTIDAD | DMH-171<br>DMH3-171<br>DM2H3-17 | DMJ-172<br>DMJ3-172<br>DM2J-172<br>DM2J3-172 | DHH-169<br>DHH3-169<br>DH2H-112<br>DH2H3-112<br>DH2H3-169 | DHJ-170<br>DHJ3-170<br>DH2J-113<br>DH2J3-170 |
|-------------------|-----------------------------------------------------------|----------|---------------------------------|----------------------------------------------|-----------------------------------------------------------|----------------------------------------------|
|                   |                                                           |          | 3 HP                            | 5 HP                                         | 3 HP                                                      | 5 HP                                         |
| 1                 | Motor - 230 V, 60 Hz, 1ph                                 | 1        | C218-177                        | C218-180                                     | C218-177                                                  | C218-180                                     |
| 1                 | Motor - 230/460V, 60 Hz, 3ph                              | 1        | C218-179                        | C218-182                                     | C218-179                                                  | C218-182                                     |
| 1                 | Motor - 200 V, 60 Hz, 1ph                                 | 1        | -                               | C218-192                                     | C218-191                                                  | C218-192                                     |
| 1                 | Motor - 200 V, 60 Hz, 3ph                                 | 1        | C218-178                        | C218-181                                     | C218-178                                                  | C218-181                                     |
| 2                 | Junta tórica                                              | 1        | U9-265                          | U9-265                                       | U9-265                                                    | U9-265                                       |
| 2A                | Manguito                                                  | 1        | C23-58                          | C23-58                                       | C23-58                                                    | C23-58                                       |
| 3                 | Llave - Cuadrada                                          | 1        | U65-42A                         | U65-42A                                      | U65-42A                                                   | U65-42A                                      |
| 4                 | Deflector de agua - Monofásico                            | 1        | C69-15                          | C69-15                                       | C69-15                                                    | C69-15                                       |
| 4                 | Deflector de agua - 230/460V,<br>Trifásicos               | 1        | C69-16                          | C69-15                                       | C69-16                                                    | C69-15                                       |
| 4                 | Deflector de agua - 200 V,<br>Trifásicos                  | 1        | C69-15                          | C69-15                                       | C69-15                                                    | C69-15                                       |
| 5                 | Tornillo de cabeza - 3/8 - 16 x 7/8"<br>de largo          | 8        | U30-73ZP                        | U30-73ZP                                     | U30-73ZP                                                  | U30-73ZP                                     |
| 6                 | Adaptador                                                 | 1        | C2-66                           | C2-66                                        | C2-66                                                     | C2-66                                        |
| 7                 | Junta - Adaptador                                         | 1        | C20-46B                         | C20-46                                       | C20-46                                                    | C20-46                                       |
| 8                 | Arandela de seguridad - 3/8"                              | 6        | U43-12ZP*                       | U43-12ZP*                                    | U43-12ZP                                                  | U43-12ZP                                     |
| 9                 | Tornillo de cabeza hexagonal - 3/8"<br>- 16 x 1" de largo | 4        | U30-74ZP                        | U30-73ZP                                     | U30-73ZP                                                  | U30-73ZP                                     |
| 10                | Junta del eje                                             | 1        | U109-433SS                      | U109-433SS                                   | U109-433SS                                                | U109-433SS                                   |
| 11                | Junta - Sello                                             | 1        | C20-101                         | C20-101                                      | C20-101                                                   | C20-101                                      |
| 12                | Impulsor                                                  | 1        | C5-246                          | C5-247                                       | C5-248                                                    | C5-249                                       |
| 13                | Aro de desgaste                                           | 1        | J23-5                           | C23-14                                       | J23-5                                                     | J23-5                                        |
| 14                | Junta                                                     | 1        | C20-100                         | C20-100                                      | C20-100                                                   | C20-100                                      |
| 15                | Arandela - Impulsor                                       | 1        | C43-45SS                        | C43-45SS                                     | C43-45SS                                                  | C43-45SS                                     |
| 16                | Junta                                                     | 1        | C43-46                          | C43-46                                       | C43-46                                                    | C43-46                                       |
| 17                | Tornillo - Impulsor - 3/8 - 16 x 3/4"<br>de largo         | 1        | U30-72SS                        | U30-72SS                                     | U30-72SS                                                  | U30-72SS                                     |
| 18                | Difusor (incluye referencia N.º 13)                       | 1        | C101-126                        | C101-126B                                    | C101-132                                                  | C101-132                                     |
| 19                | Aro para difusor                                          | 1        | C21-2                           | C21-2                                        | C21-2                                                     | C21-2                                        |
| 20                | Cuerpo de la bomba                                        | 1        | C76-12                          | C76-12C                                      | C76-12B                                                   | C76-12                                       |
| 21                | Tapón para tubería - 1/4" NPT                             | 2        | U78-941ZPV                      | U78-941ZPV                                   | U78-941ZPV                                                | U78-941ZPV                                   |
| 22                | Tornillo de cabeza - 5/16 - 18 x 3/4"<br>de largo         | 4        | U30-60ZP                        | U30-60ZP                                     | U30-60ZP                                                  | U30-60ZP                                     |

## RESOLUCIÓN DE PROBLEMAS

| SÍNTOMA                                                                                                                              | CAUSAS(S) POSIBLE(S)                                                                                                                                                        | MEDIDA CORRECTIVA                                                                                                                                                                                                                                                                                                                                                                                                                            |
|--------------------------------------------------------------------------------------------------------------------------------------|-----------------------------------------------------------------------------------------------------------------------------------------------------------------------------|----------------------------------------------------------------------------------------------------------------------------------------------------------------------------------------------------------------------------------------------------------------------------------------------------------------------------------------------------------------------------------------------------------------------------------------------|
| El motor no funciona                                                                                                                 | El interruptor de desconexión está apagado                                                                                                                                  | Verifique que el interruptor esté activado                                                                                                                                                                                                                                                                                                                                                                                                   |
|                                                                                                                                      | El fusible se agotó                                                                                                                                                         | Reemplace el fusible                                                                                                                                                                                                                                                                                                                                                                                                                         |
|                                                                                                                                      | El interruptor de encendido tiene un defecto                                                                                                                                | Reemplace el interruptor de encendido                                                                                                                                                                                                                                                                                                                                                                                                        |
|                                                                                                                                      | Los cables del motor están sueltos, desconectados o el cableado es incorrecto                                                                                               | Consulte las instrucciones sobre cableado. Verifique y ajuste todo el cableado.<br><b>⚠ ADVERTENCIA</b> El voltaje del condensador puede ser peligroso. Para descargar el condensador, sostenga el destornillador POR EL MANGO con aislamiento y los terminales cortos del condensador juntos. No toque el vástago de metal del destornillador ni los terminales del condensador. En caso de dudas, consulte con un electricista calificado. |
| El motor se calienta y se activa la sobrecarga                                                                                       | El cableado del motor es incorrecto                                                                                                                                         | Consulte las instrucciones de cableado                                                                                                                                                                                                                                                                                                                                                                                                       |
|                                                                                                                                      | El voltaje es demasiado bajo                                                                                                                                                | Consulte con la empresa de suministro de energía. Instale un cableado más pesado si el tamaño de cable es demasiado pequeño (consulte la sección de Electricidad de este manual).                                                                                                                                                                                                                                                            |
| El motor funciona pero no suministra agua<br><br>Desenrosque el tapón de cebado y asegúrese de que haya agua en la caja de la bomba. | La bomba de la nueva instalación no se cebó:<br>Verifique el cebado antes de buscar otras causas.<br>Cebado incorrecto<br>Fugas de aire<br>Fuga en la válvula de contención | En la nueva instalación:<br>1. Desenrosque el tapón de cebado y asegúrese de que haya agua en la caja de la bomba<br>2. Ceban nuevamente según las instrucciones<br>3. Verificar todas las conexiones en la línea de succión<br>4. Reemplazar la válvula de contención                                                                                                                                                                       |
|                                                                                                                                      | La bomba perdió cebado:<br>Verifique el cebado antes de buscar otras causas.<br>Fugas de aire<br>Nivel del agua por debajo de la succión de la bomba                        | En una instalación que ya está en uso:<br>1. Desenrosque el tapón de cebado y asegúrese de que haya agua en la caja de la bomba<br>2. Verificar todas las conexiones en la línea de succión y la junta del eje<br>3. Bajar la línea de succión al agua y volver a ceban.<br>Si el nivel del agua en receso en el pozo excede la elevación de succión, se necesita una bomba para pozo profundo.                                              |
|                                                                                                                                      | El impulsor está obstruido                                                                                                                                                  | Limpie el impulsor según los procedimientos de Limpieza/reemplazo del impulsor.                                                                                                                                                                                                                                                                                                                                                              |
|                                                                                                                                      | La válvula de retención o de contención está atascada en la posición cerrada                                                                                                | Reemplazar la válvula de retención o la válvula de contención                                                                                                                                                                                                                                                                                                                                                                                |
|                                                                                                                                      | Las tuberías están congeladas                                                                                                                                               | Descongelar las tuberías. Enterrar las tuberías debajo de la línea de congelamiento. Calentar el pozo o la carcasa de la bomba.                                                                                                                                                                                                                                                                                                              |
|                                                                                                                                      | La válvula de contención o la trampa de pelos está enterrada en arena o lodo                                                                                                | Levantar la válvula de contención y/o la trampa de pelos por encima del fondo del pozo                                                                                                                                                                                                                                                                                                                                                       |
|                                                                                                                                      | La bomba no saca agua en su capacidad máxima                                                                                                                                | Fuga en la válvula de contención produce pérdida de cebado                                                                                                                                                                                                                                                                                                                                                                                   |
| Nivel del agua en el pozo es mayor a 25 pies por debajo de la succión de la bomba                                                    |                                                                                                                                                                             | Se puede necesitar una bomba inyectora de pozo profundo                                                                                                                                                                                                                                                                                                                                                                                      |
| La tubería de acero (si se utiliza) está corroída o tiene limo que causa un exceso de fricción                                       |                                                                                                                                                                             | Reemplace por una tubería de plástico, donde sea posible, o con una tubería de acero nueva                                                                                                                                                                                                                                                                                                                                                   |
| La tubería de compensación es demasiado pequeña                                                                                      |                                                                                                                                                                             | Utilice una tubería de compensación más grande                                                                                                                                                                                                                                                                                                                                                                                               |

# GARANTÍA DE BERKELEY

## Garantía

Pentair BERKELEY® garantiza al comprador original ("Comprador" o "Usted") que los productos en la tabla a continuación se entregan sin defectos en los materiales y la mano de obra, y tienen un Período de Garantía que se especifica a continuación.

| Producto                                                                                                                     | Período de la garantía                                                                                                                       |
|------------------------------------------------------------------------------------------------------------------------------|----------------------------------------------------------------------------------------------------------------------------------------------|
| <b>Sistemas de agua:</b>                                                                                                     |                                                                                                                                              |
| Productos de sistemas acuáticos: bombas de chorro, bombas centrífugas pequeñas, bombas sumergibles y accesorios relacionados | <i>lo que ocurra primero:</i><br>12 meses a partir de la fecha de la instalación original,<br>o 18 meses a partir de la fecha de fabricación |
| Tanques de material compuesto Pentair Pro-Source®                                                                            | 5 años a partir de la fecha de la instalación original                                                                                       |
| Tanques de presión de acero Pentair Pro-Source                                                                               | 5 años a partir de la fecha de la instalación original                                                                                       |
| Tanques con recubrimiento de resina epoxídica de Pentair Pro-Source                                                          | 3 años a partir de la fecha de la instalación original                                                                                       |
| <b>Agrícola/Comercial:</b>                                                                                                   |                                                                                                                                              |
| Centrífugas: transmisión de motor de acople directo, eje libre, montaje SAE, motor de combustión interna, VMS, SSCX, SSHM    | 12 meses a partir de la fecha de la instalación original,<br>o 24 meses a partir de la fecha de fabricación                                  |
| Turbinas sumergibles, 6" diámetro o más grandes                                                                              | 12 meses a partir de la fecha de la instalación original,<br>o 24 meses a partir de la fecha de fabricación                                  |

Nuestra garantía no cubre ningún producto que, a nuestro exclusivo criterio, haya sido sometido a uso negligente, aplicación incorrecta, instalación o mantenimiento inadecuados. Ejemplos que pueden ser causa de rechazo de un reclamo de la garantía (esta lista no es exhaustiva):

- Los daños causados por manipulación negligente, reempaque o envío inadecuados.
- Los daños causados por la aplicación indebida, el uso inadecuado o la operación del equipo sin seguir las especificaciones en el manual del propietario.
- Los daños causados por no instalar los productos según se especifica en el manual del propietario.
- Los daños debido a modificaciones no autorizadas de los productos o por no utilizar partes de repuesto originales de Pentair.
- Los daños causados por negligencia o por el mantenimiento inadecuado de los productos según se especifica en el manual del propietario.
- Los daños causados por la congelación del agua dentro del producto.
- Los daños accidentales, incendios, casos de fuerza mayor u otras circunstancias que escapen al control de Pentair.

Sin limitar lo que antecede, la operación de un motor trifásico con una fuente de alimentación monofásica a través de un convertidor de fase anulará la garantía. Tenga en cuenta también que los motores trifásicos deben tener la protección de relés de sobrecarga de disparo extrarrápido con compensación ambiental de tres etapas, del tamaño recomendado, o la garantía quedará invalidada.

Todos los diámetros del impulsor especificados en el programa del tamaño de bombas BEC2 se han probado, y se ha determinado que no exceden el factor de servicio del motor especificado. Se pueden solicitar diámetros de impulsores extragrandes, sin embargo, el uso de un impulsor extragrande invalidará los reclamos de la garantía.

Su único recurso, y la única obligación de BERKELEY, es que BERKELEY repare o reemplace los productos defectuosos (a elección de BERKELEY). LOS RECURSOS QUE SE DESCRIBEN AQUÍ SON SUS ÚNICOS Y EXCLUSIVOS RECURSOS, Y SU TOTAL RESPONSABILIDAD POR TODO INCUMPLIMIENTO DE ESTA GARANTÍA.

Debe pagar todos los cargos de mano de obra y envío relacionados con la garantía, y debe solicitar el servicio de garantía a través del concesionario a cargo de la instalación apenas detecte el problema. No se aceptará ninguna solicitud de servicio recibida una vez vencido el Período de Garantía. Esta garantía no es transferible.

LA RESPONSABILIDAD DE BERKELEY BAJO NINGUNA CIRCUNSTANCIA DEBE EXCEDER EL MONTO ACTUAL QUE USTED PAGÓ POR EL PRODUCTO EN CUESTIÓN. BERKELEY NO SERÁ, BAJO NINGUNA CIRCUNSTANCIA, RESPONSABLE POR NINGÚN DAÑO INDIRECTO, INCIDENTAL, ESPECIAL, PUNITIVO O CONTINGENTE, NI POR NINGÚN TIPO DE PÉRDIDA, YA SEA DIRECTA O INDIRECTA. LA GARANTÍA MENCIONADA ES EXCLUSIVA. SALVO POR LA GARANTÍA QUE SE ESTABLECE EN EL PRESENTE, BERKELEY NO OTORGA NINGUNA GARANTÍA CON RESPECTO A LOS PRODUCTOS, LO QUE INCLUYE A MODO ENUNCIATIVO PERO NO LIMITATIVO GARANTÍAS DE COMERCIALIZACIÓN O ADECUACIÓN PARA UN FIN PARTICULAR, YA SEA EXPRESA O IMPLÍCITA POR LEY, CURSO DE UNA NEGOCIACIÓN, CURSO DE EJECUCIÓN, USO DE COMERCIO O DE CUALQUIER TIPO.

LAS GARANTÍAS MENCIONADAS EN PÁRRAFOS ANTERIORES NO SE EXTENDERÁN MÁS ALLÁ DE LA DURACIÓN ESTABLECIDA EN EL PRESENTE. Algunos estados no permiten la exclusión o limitación de los daños indirectos o incidentales ni limitaciones sobre la duración de la garantía implícita, de modo que es posible que las limitaciones o exclusiones detalladas anteriormente no se apliquen a Usted. Esta garantía le otorga derechos legales específicos y es posible que también tenga otros derechos, que varían según el estado.

Esta Garantía tiene vigencia a partir del 14 de julio de 2020 y reemplaza a todas las garantías sin fecha y las garantías con fechas anteriores al 14 de julio de 2020.

### BERKELEY

293 Wright Street, Delavan, WI 53115

Teléfono: 866-973-6835 • Fax: 800-321-8793 • Pentair.com/Berkeley

En Canadá: 490 Pinebush Road, Unit 4, Cambridge, Ontario N1T 0A5

Teléfono: 800-363-7867 • Fax: 888-606-5484



# GARANTÍA DE MYERS

## Garantía Limitada

Myers le garantiza al consumidor inicial ("Comprador" o "Usted") de los productos indicados a continuación, que éstos estarán libres de defectos en materiales y en mano de obra durante el Periodo de Garantía especificado a continuación.

| <b>Producto</b>                                                                          | <b>Periodo de garantía</b><br>lo que ocurra primero:                                        |
|------------------------------------------------------------------------------------------|---------------------------------------------------------------------------------------------|
| Bombas de chorro, pequeñas bombas centrífugas, bombas sumergibles y accesorios asociados | 12 meses desde la fecha de la instalación inicial, o 18 meses desde la fecha de fabricación |
| Tanques de devanado de fibra                                                             | 5 años desde la fecha de la instalación inicial                                             |
| Tanques a presión de acero                                                               | 5 años desde la fecha de la instalación inicial                                             |
| Productos para sumideros/aguas residuales/efluente/ utilidad/batería de refuerzo         | 36 meses desde la fecha de fabricación                                                      |
| Bombas procesadoras de sólidos de aguas residuales                                       | 12 meses desde la fecha de envío de la fábrica, o 18 meses desde la fecha de fabricación    |

Nuestra garantía se aplica solamente en los casos en que tales productos se utilicen conforme a los requerimientos del catálogo del producto y/o de los manuales correspondientes. Por información adicional, se deberá consultar la garantía limitada estándar correspondiente que aparece en el manual del producto.

Nuestra garantía no se aplicará a ningún producto que, a nuestro solo juicio, haya sido sometido a negligencia, mal uso, instalación o mantenimiento inadecuados. Sin perjuicio a lo que antecede, nuestra garantía quedará anulada en el caso en que un motor trifásico se haya usado con una fuente de alimentación monofásica, a través de un convertidor de fase. Es importante indicar que la garantía quedará anulada si los motores trifásicos no están protegidos por relés de sobrecarga de disparo extra-rápido, con compensación ambiental de tres etapas, del tamaño recomendado.

Su único recurso, y la única obligación de MYERS es la de reparar o reemplazar los productos defectuosos (a juicio de MYERS). Usted deberá pagar todos los cargos de mano de obra y de envío asociados a esta garantía y deberá solicitar el servicio bajo garantía a través del concesionario instalador tan pronto como se descubra un problema. No se aceptará ninguna solicitud de servicio bajo garantía que se reciba después del vencimiento del Periodo de Garantía. Esta garantía no es transferible.

MYERS NO SE HARÁ RESPONSABLE DE NINGÚN DAÑO CONSECUENTE, INCIDENTAL O CONTINGENTE.

LAS GARANTÍAS LIMITADAS QUE ANTECEDEN SON EXCLUSIVAS Y EN LUGAR DE TODA OTRA GARANTÍA EXPLÍCITA O IMPLÍCITA, INCLUYENDO, PERO SIN LIMITARSE, A LAS GARANTÍAS IMPLÍCITAS DE COMERCIABILIDAD E IDONEIDAD PARA UN FIN ESPECÍFICO, LAS GARANTÍAS LIMITADAS QUE ANTECEDEN NO SE EXTENDERÁN MÁS ALLÁ DEL PERÍODO DE GARANTÍA INDICADO EN LA PRESENTE.

Ciertos estados no permiten la exclusión o limitación de daños incidentales o consecuentes o la aplicación de limitaciones en la duración de garantías implícitas, de modo que es posible que las limitaciones o exclusiones que preceden no correspondan en su caso. Esta garantía le otorga derechos legales específicos, y es posible que Usted tenga otros derechos que pueden variar de un estado al otro.

Esta Garantía Limitada entra en vigor a partir del 1 de enero de 2021 y reemplaza toda otra garantía sin fecha o con fecha anterior al 1 de enero de 2021.

### PENTAIR MYERS

293 Wright St., Delavan, WI 53115

Teléfono: 888-987-8677 – Fax: 800-426-9446 – [www.fenmyers.com](http://www.fenmyers.com)

En Canadá: 490 Pinebush Road, Unit 4, Cambridge, Ontario N1T 0A5

Teléfono: 800-363-7867 – Fax: 888-606-5484

# GARANTÍA DE STA-RITE

## GARANTÍA

STA-RITE\* brinda garantía al comprador original ("Comprador" o "Usted") de los productos que figuran a continuación: que dichos productos se entregan sin defectos en los materiales y la mano de obra para el Período de Garantía que se especifica a continuación.

| Producto                                                                                                                     | Período de la garantía                                                                                                                |
|------------------------------------------------------------------------------------------------------------------------------|---------------------------------------------------------------------------------------------------------------------------------------|
| Productos de sistemas acuáticos: bombas de chorro, bombas centrífugas pequeñas, bombas sumergibles y accesorios relacionados | lo que ocurra primero:<br>12 meses a partir de la fecha de la instalación original,<br>o 18 meses a partir de la fecha de fabricación |
| Tanques de material compuesto Pro-Source™                                                                                    | 5 años a partir de la fecha de la instalación original                                                                                |
| Tanques de presión de acero Pro-Source™                                                                                      | 5 años a partir de la fecha de la instalación original                                                                                |
| Tanques con revestimiento epóxico Pro-Source™                                                                                | 3 años a partir de la fecha de la instalación original                                                                                |
| Productos para sumideros/aguas residuales/efluentes                                                                          | 12 meses a partir de la fecha de la instalación original,<br>o 18 meses a partir de la fecha de fabricación                           |

Nuestra garantía no cubre ningún producto que, a nuestro exclusivo criterio, haya sido sometido a uso negligente, aplicación incorrecta, instalación o mantenimiento inadecuados. Sin limitar lo que antecede, la operación de un motor trifásico con una fuente de alimentación monofásica a través de un convertidor de fase anulará la garantía. Tenga en cuenta también que los motores trifásicos deben tener la protección de relés de sobrecarga de disparo extrarrápido con compensación ambiental de tres etapas, del tamaño recomendado, o la garantía quedará invalidada.

Su único recurso, y la única obligación de STA-RITE, es que STA-RITE repare o reemplace los productos defectuosos (a elección de STA-RITE). Debe pagar todos los cargos de mano de obra y envío asociados a esta garantía y debe solicitar el servicio bajo garantía a través del distribuidor instalador tan pronto como detecte el problema. No se aceptará ninguna solicitud de servicio recibida una vez vencido el Período de Garantía. Esta garantía no es transferible.

STA-RITE NO SERÁ RESPONSABLE POR DAÑOS INDIRECTOS, INCIDENTALES NI CONTINGENTES DE NINGÚN TIPO. LAS GARANTÍAS MENCIONADAS EN EL PRESENTE SON EXCLUSIVAS Y REEMPLAZAN CUALQUIER OTRA GARANTÍA EXPRESA O IMPLÍCITA, INCLUIDAS, INCLUIDAS, ENTRE OTRAS, GARANTÍAS IMPLÍCITAS DE COMERCIABILIDAD E IDONEIDAD PARA UN FIN ESPECÍFICO. LAS GARANTÍAS MENCIONADAS EN PÁRRAFOS ANTERIORES NO SE EXTENDERÁN MÁS ALLÁ DE LA DURACIÓN ESTABLECIDA EN EL PRESENTE.

Algunos estados no permiten la exclusión o limitación de los daños indirectos o incidentales ni limitaciones sobre la duración de la garantía implícita, de modo que es posible que las limitaciones o exclusiones detalladas anteriormente no se apliquen a Usted. Esta garantía le otorga derechos legales específicos y es posible que también tenga otros derechos, que varían según el estado. Esta Garantía Limitada tiene vigencia al 1 de junio de 2011 y reemplaza a todas las garantías sin fecha y las garantías con fechas anteriores al 1 de junio de 2011.

STA-RITE INDUSTRIES  
293 Wright Street • Delavan, WI U.S.A. 53115  
Teléfono: 1-888-782-7483 • Fax: 1-800-426-9446 • Sitio web: sta-rite.com



293 Wright St  
Delavan, WI 53115  
Tel.: 888-782-7483  
Fax: 800.426.9446

490 Pinebush Rd, Unit 4  
Cambridge, Ontario  
Canada N1T 0A5  
Tel.: 800.363.7867  
Fax: 888.606.5484

PENTAIR.COM

Todas las marcas comerciales y logotipos de Pentair mencionados son propiedad de Pentair. Las marcas comerciales y los logotipos registrados y no registrados de terceros son propiedad de sus respectivos dueños. Debido a que mejoramos continuamente nuestros productos y servicios, Pentair se reserva el derecho de modificar las especificaciones sin previo aviso. Pentair es un empleador que ofrece igualdad de oportunidades.

© 2023 Pentair. Todos los derechos reservados.

P15007(03-01-2023)