

RESIDENTIAL SEWAGE BASIN ASSEMBLY

CMV1830

The Myers CMV1830 Packaged Sewage Ejector System provides extra lifting power for demanding residential applications. The highly-regarded CMV5 series pump and corrosion-resistant basin make this the preferred package for extended service installations. Solids up to 2" in diameter easily pass through the specially designed recessed vortex impeller.

APPLICATIONS

Residential septic tank, sewage, and large sumps.



FEATURES

- ◆ **Ready to Go**
The packaged system includes pump, basin, sealed cover, internal basin discharge pipe, and 2" full-swing check valve.
- ◆ **Powerful and Proven CMV5 Pump**
Long-life carbon/ceramic seal protects motor against leakage.

Oil-filled motor for continuous lubrication and heat dissipation.

Internal thermal protector prevent overheating and includes automatic reset.

Recessed impeller reduces radial bearing loads, increasing bearing life.
- ◆ **BASIN**
18" x 30" corrosion-resistant structural foam construction.

A 30-gallon capacity.

4" plastic slip type or cast iron.
- ◆ **BASIN COVER**
18" seal-tight design in structural foam or steel.

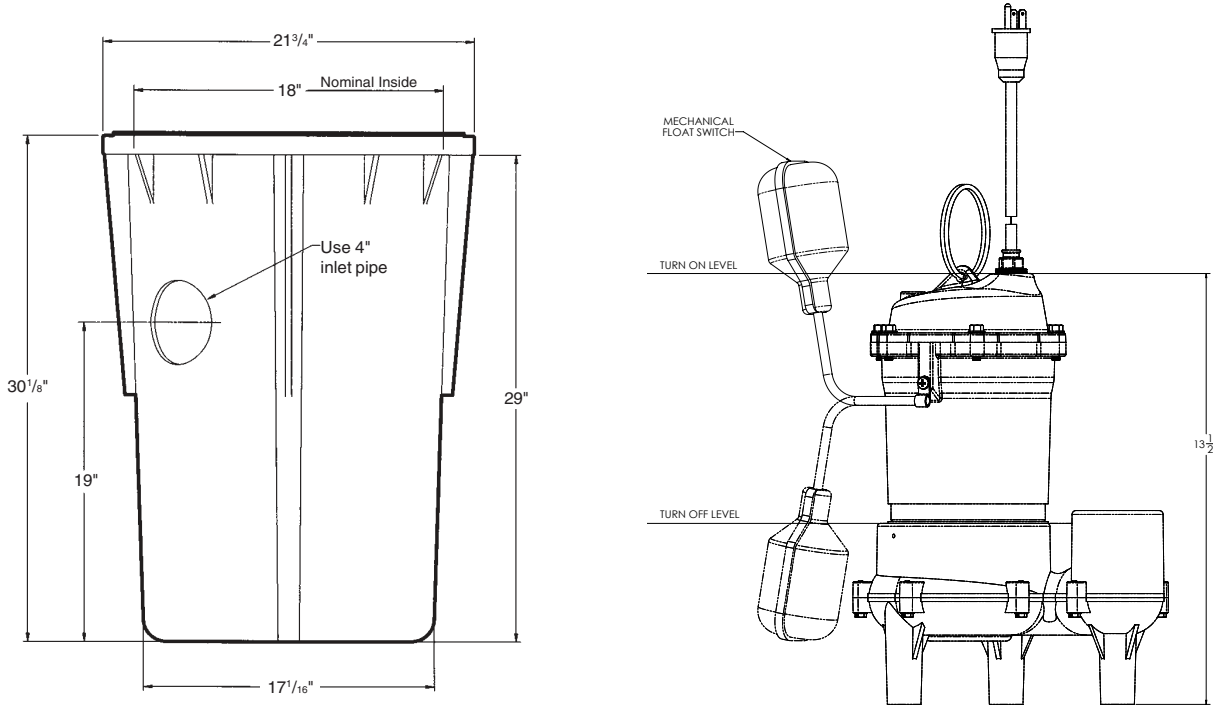
Structural foam has a 2" discharge flange and vent flange suitable for 2" or 3" vent.

Steel has a split design with 2" or 3" vent.

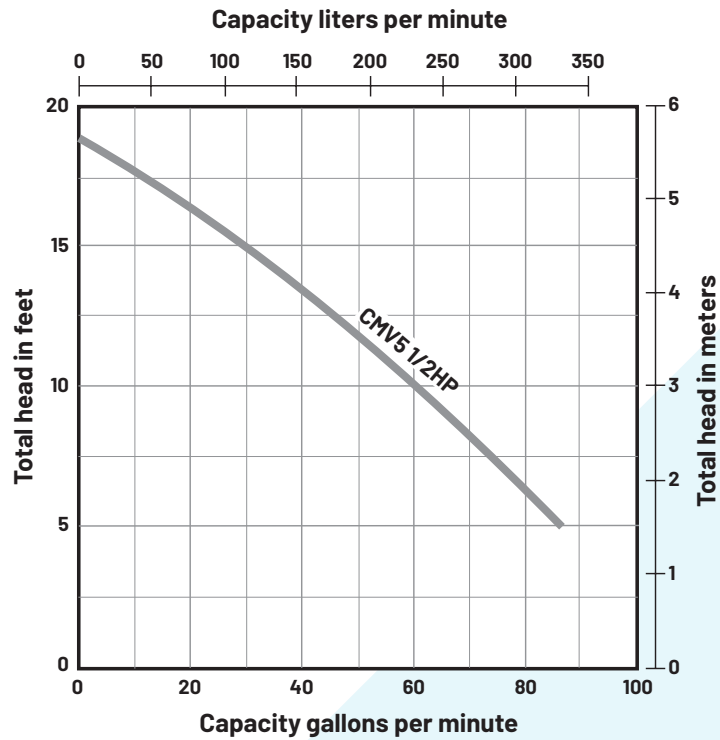
SPECIFICATIONS & PERFORMANCE

CAPACITIES	87 GPM (325 LPM)
SHUT-OFF HEAD	19' (5.8 m)
SOLIDS HANDLING	2" (50.8 mm)
LIQUIDS HANDLING	Raw sewage, effluent, and drain water
INTERMITTENT LIQUID TEMPERATURE	Up to 140°F (60°C)
MOTOR/ELECTRICAL DATA	1/2 HP, PSC, 1625 RPM, 115V, 12A, 1Ø, 60Hz
ACCEPTABLE PH RANGE	6-9
DISCHARGE, NPT	2"
HOUSING	Cast iron motor housing, thermoplastic casing
POWER CORD	20', 16/3, SJTW (6.1 m)
IMPELLER	Recessed, thermoplastic
VOLUTE CASE	Thermoplastic
SHAFT SEAL	Type 11A, carbon and ceramic
BASIN SIZE	18" x 30" structural foam, 30-gallon capacity

DIMENSIONS



PUMP PERFORMANCE



ORDERING INFORMATION

CATALOG NUMBER	HP	VOLTS	PHASE/ CYCLES	AMPS	DISCHARGE SIZE	COVER TYPE	INLET	VENT SIZE	SWITCH TYPE	CORD LENGTH	APPROX. WT. LBS
CMV1830	1/2	115	1/60	12	2"	1 pc. Structural Foam	Snap-in	2"13"	Tethered Automatic	20'	50



293 Wright Street,
Delavan, WI 53115
USA
Phone: 888.782.7483
Orders Fax: 800.426.9446

490 Pinebush Road
Unit 4
Cambridge, Ontario N1T 0A5
Canada
Phone: 800.363.7867
Orders Fax: 888.606.5484

for more info, visit pentair.com

