



Sand Filter



Installation and User's Guide

IMPORTANT SAFETY INSTRUCTIONS
READ AND FOLLOW ALL INSTRUCTIONS
SAVE THESE INSTRUCTIONS

Technical Support

Sanford, North Carolina (8 A.M. to 5 P.M. ET)

Moorpark, California (8 A.M. to 5 P.M. PT)

Phone: (800) 831-7133

Fax (800) 284-4151

Web sites: visit www.pentairpool.com and staritepool.com

Contents

Warnings and Important Safety Precautions.....	i
Section 1: Filter Overview	1
Section 2: Installation	2
Section 3: Operation and Maintenance	6
Initial Start-Up	6
Maintenance.....	8
Cleaning	8
Filter and Control Valve Functions	9
Filter Backwash Procedure	10
Chemical Cleaning	11
Winterizing the System	12
Technical Data and Replacement Parts	12
Troubleshooting	13

© 2014 Pentair Water Pool and Spa, Inc. All rights reserved

This document is subject to change without notice

1620 Hawkins Ave., Sanford, NC 27330 • (919) 566-8000
10951 West Los Angeles Ave., Moorpark, CA 93021 • (805) 553-5000

Pentair Water Pool and Spa® is a registered trademark of Pentair Water Pool and Spa, Inc. and/or its affiliated companies in the United States and/or other countries. Filter-Cleanse™ is a trademark of Advantis Technologies Inc. and Klean It® is a registered trademark of BioLab, Inc. Unless noted, names and brands of others that may be used in this document are not used to indicate an affiliation or endorsement between the proprietors of these names and brands and Pentair Water Pool and Spa, Inc. Those names and brands may be the trademarks or registered trademarks of those parties or others.

P/N 152006 Rev B - 9/3/14

WARNINGS AND IMPORTANT SAFETY PRECAUTIONS



DANGER SERIOUS BODILY INJURY OR DEATH CAN RESULT IF THIS SAND FILTER IS NOT INSTALLED AND USED CORRECTLY.



DANGER INSTALLERS, POOL OPERATORS AND POOL OWNERS MUST READ THESE WARNINGS AND ALL INSTRUCTIONS BEFORE USING THIS SAND FILTER.



WARNING This sand filter is intended for use in swimming pool applications.



WARNING Most states and local codes regulate the construction, installation, and operation of public pools and spas, and the construction of residential pools and spas. It is important to comply with these codes, many of which directly regulate the installation and use of this product. Consult your local building and health codes for more information.



IMPORTANT NOTICE - Attention Installer: This Installation and User's Guide ("Guide") contains important information about the installation, operation and safe use of this sand filter. This Guide should be given to the owner and/or operator of this equipment.



WARNING Before installing this product, read and follow all warning notices and instructions in this Guide. Failure to follow warnings and instructions can result in severe injury, death, or property damage. Call (800) 831-7133 for additional free copies of these instructions. Please refer to www.pentair.com for more information related to this product.



DANGER Water temperature in excess of 100° F (37.7° C) may be hazardous to your health. Prolonged immersion in hot water may induce hyperthermia. Hyperthermia occurs when the internal temperature of the body reaches a level several degrees above normal body temperature of 98.6° F. (37° C.). Effects of hyperthermia include: (1) Unawareness of impending danger. (2) Failure to perceive heat. (3) Failure to recognize the need to leave the spa. (4) Physical inability to exit the spa. (5) Fetal damage in pregnant women. (6) Unconsciousness resulting in danger of drowning. The use of alcohol, drugs, or medication can greatly increase the risk of fatal hyperthermia in hot tubs and spas.
Maximum working water temperature for this filter is 95°F (35°C).



WARNING To reduce the risk of injury, do not permit children to use or operate this sand filter.



WARNING When setting up pool water turnovers or flow rates the operator must consider local codes governing turnover as well as disinfectant feed ratios.



WARNING DO NOT increase pump size; this will increase the flow rate through the system and may exceed the maximum flow rate stated on the drain cover.



WARNING For filters intended for use in other than single-family dwellings, a clearly labeled emergency switch shall be provided as part of the installation. The switch shall be readily accessible to the occupants and shall be installed at least 5 feet (1.52 m) away, adjacent to, and within sight of, the filter.

WARNINGS AND IMPORTANT SAFETY PRECAUTIONS



DANGER High Pressure from the Sand Filter can cause severe injury or major property damage due to tank separation.

Release all pressure and read instructions before working on the sand filter.

If the filter clamp is adjusted under pressure, the tank can separate, causing serious injury or major property damage.



BEFORE WORKING ON FILTER!

- (1) Stop pump.
- (2) Open air release valve.
- (3) Release all pressure from system.



DANGER RISK OF ELECTRICAL SHOCK OR ELECTROCUTION:

PUMPS REQUIRE HIGH VOLTAGE WHICH CAN SHOCK, BURN, OR CAUSE DEATH. BEFORE WORKING ON PUMP!

Always disconnect power to the pool pump at the circuit breaker from the pump before servicing the pump. Failure to do so could result in death or serious injury to service person, pool users or others due to electric shock.



A pool or spa pump must be installed by a qualified pool and spa service professional in accordance with the National Electrical Code and all applicable local codes and ordinances. Improper installation may create an electrical hazard which could result in death or serious injury to pool users, installers, or others due to electrical shock, and may also cause damage to property.



Pumps are not a substitute for properly installed and secured pool drain covers. An ANSI/ASME A112.19.8 approved anti-entrapment drain cover must be used for each drain. Pools and spas should utilize a minimum of two drains per pump. If a drain cover becomes loose, broken or is missing, close the pool or spa immediately and shut off the pump until an approved anti-entrapment drain cover is properly installed with the manufacturer's supplied screws.

For information about the Virginia Graeme Baker Pool and Spa Safety Act, contact the Consumer Product Safety Commission at (301) 504-7908 or visit www.cpsc.gov.

Important Note: Always turn off all power to the pool pump before installing the cover or working on any suction outlet.

Section 1

Filter Overview

Your high rate sand filter is designed to produce clear, sparkling water and operate for years with a minimum of maintenance when installed, operated and maintained in accordance with these instructions. Your filter uses special filter sand to remove dirt particles from the water. Dirt is collected in the filter by the sand bed as water flows through the filter. Water enters the filter through the valve on top of the filter and is distributed evenly downward across the sand bed. The dirt is removed by the sand and the clean water flows through the piping (laterals) at the bottom of the filter, up through the stand pipe, back to the valve on top of the filter, where the clean water is returned to the pool through the piping or hoses.


WARNING

This filter operates under high pressure. When any part of the circulating system (e.g., clamp, pump, filter, valves, etc.) is serviced, air can enter the system and become pressurized. Pressurized air can cause the lid or control valve to separate which may result in serious injury, death, or property damage. To avoid this potential hazard, follow these instructions.

1. Before repositioning valves and before beginning the assembly, disassembly, or adjustment of the clamp or any other service of the circulating system:
 - (a) Turn the pump off and shut off any automatic controls to ensure the system is not inadvertently started during the servicing;
 - (b) Open manual air relief valve;
 - (c) Wait until all pressure is relieved, pressure gauge must read zero (0).
2. Whenever installing the filter clamp, follow the filter valve and clamp installation instructions exactly.
3. Once service on the circulating system is complete, follow system restart instructions exactly.
4. Maintain circulation system properly. Replace worn or damaged parts immediately (e.g., clamp, pressure gauge, relief valve, o-rings, etc.).
5. Be sure that the filter is properly mounted and positioned according to instructions provided.

After a period of time, dirt will accumulate in the filter causing a resistance to the flow of water through the filter. This resistance results in a diminished flow of water and a rise in the pressure of the filter. Eventually the filter sand will have removed so much dirt and the filter pressure risen to such a point that it will be necessary to clean (backwash) your filter.

By setting the valve on top of the filter to the “Backwash” position, the flow of water is automatically reversed through the filter so that the flow of water is directed to the bottom of the filter, up through the sand bed, flushing the dirt and debris out through the waste line. Once the backwash procedure is complete, the valve is manually returned to its “Filter” position to resume normal filtration. The filter’s function is to remove suspended matter from the water. It does not sanitize the water. For sparkling clear water, the water must be sanitized as well as balanced. Pool chemistry is a specialized area, and you should consult your local pool service specialist for specific details. In general, proper pool sanitation requires a free chlorine level of 1 to 2 PPM and a pH range of 7.2 to 7.6. Your filtration system should be designed to meet your local health codes. As a minimum, you must be sure that your system will turnover the total volume of water in your pool at least twice in a twenty-four hour period.

 WARNING	Failure to operate your filter system or inadequate filtration can cause poor water clarity obstructing visibility in your pool. Poor water clarity may obscure objects in the water which while swimming and diving could cause serious personal injury or death. Never swim in a pool with poor water clarity.
--------------------------------------------------------------------------------------------------	------------------------------------------------------------------------------------------------------------------------------------------------------------------------------------------------------------------------------------------------------------------------------------------------------------------

Section 2

Installation

1. **Read and understand all instructions before attempting to install, operate or maintain your pump and sand filter system.**
2. Provide space and lighting for routine maintenance access. Locate the system close to the pool. Install electrical controls (e.g., on/off switches, timers, control systems, etc.) at least five (5) feet from the filter. This will allow you enough room to stand clear of the filter during system start up.
3. Remove all individual components from carton and inspect for any visible damage. If carton or parts are damaged contact seller or freight company.

⚠ WARNING Blockage of suction fittings can cause serious or fatal injury due to drowning. To reduce the risk of injury, do not permit children to use this product.

⚠ WARNING Never work on the pump while it is running or power is still connected. High voltage can cause serious or fatal injury. A suitable ground fault interrupter (GFCI) should always be installed at the power supply source of this unit. Be sure to ground the motor before connecting to electrical AC power supply. Failure to ground the motor can cause serious or fatal electrical shock hazard. **DO NOT** ground to a gas supply pipe line.

4. The filter is ready to be moved into its final position. The system must be placed on level solid earth. When the filter is filled with sand and water it can weigh several hundred pounds.
5. Be certain to install the precise amount of filter sand listed on your filter name plate. You must use only No. 20 standard silica sand having a uniformity coefficient of 1.75 or less. No. 20 silica sand has a particle size of .018-.022 inches (.45 to .55 mm). Before pouring the sand into the filter, look inside and check the lower under drain for broken or loose laterals (or fingers), which may have been accidentally damaged by rough handling during shipment. Replace any broken parts if necessary.
6. Install the sand guide in the top of the filter and fill the tank about half full of water. Pour the sand into the top of the filter at a slow rate so that the weight of the sand does not damage the laterals. After the required amount of sand has been installed, remove and discard the sand guide. Wash away all sand around the opening at the top of the tank.

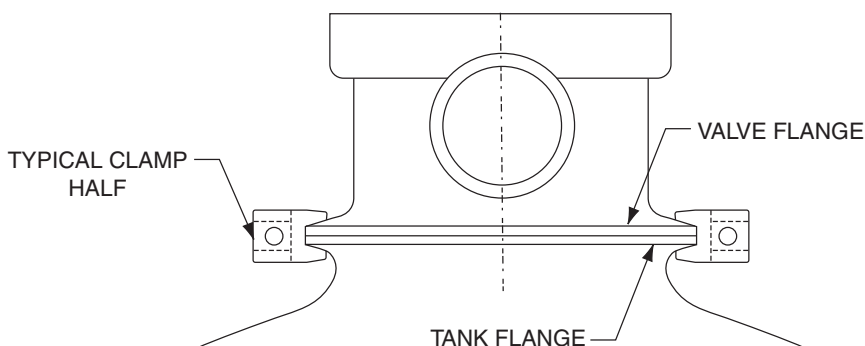


Figure 1.

7. Be sure top of filter is free of any sand or debris and valve o-ring is in place on valve body. Install valve so that the port locations are in the desired final position. Valve ports are labeled with the location of where they should be connected i.e. pump port must go to pump discharge, waste port must go to the waste line and return port must go to the pool return.

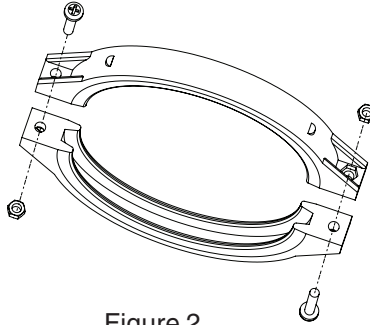


Figure 2.

8. Insure that the valve is firmly pushed into the top of the tank and that the flange of the tank and the flange of the valve are contacting each other. See Figure 1.
9. The plastic clamp can now be installed. Place the clamp half over the valve flange and the tank flange as shown in Figure 1. Insert the clamp screws and nuts into the clamp making sure that the nuts are located in the special hexagonal retainer slots on the clamps. See Figure 2.
10. Tighten clamp screws firmly and visually check the valve tank and clamp assembly to insure that the joint is correctly assembled.



WARNING

**High Pressure:
Improper tank valve
assembly could cause the
valve to separate and cause
serious injury and/or major
property damage.**

11. The filter unit has a maximum operating pressure listed on the filter name plate. **DO NOT OPERATE** this unit above the maximum operating pressure of the valve or the filter. Never connect the filter and valve unit to a pump which can generate a pressure that exceeds the operating pressure of the filter or valve.

12. Use sealant on all tapered male connections of pipes and fittings. Use only sealant compounds suited for plastic pipe. Support pipe to prevent strains on filter, pump or valve. **DO NOT USE PETROLEUM BASED PRODUCTS.** NOTICE: All valve internal threads are tapered except the air bleeder connection. Do not over tighten tapered thread connections.
13. Install pressure gauge in 1/4”NPT port directly across from the pump port of the valve.
14. Never store pool chemicals within ten (10) feet of your pool filter, pump or valve. Pool chemicals should always be stored in a cool, dry, well ventilated area.

⚠ WARNING Chemical fumes and/or spills can cause serious corrosion to the filter and pump structural components. Structurally weakened components can cause filter, pump or valve attachments to separate and could cause serious bodily injury or property damage.

⚠ WARNING The system’s centrifugal pump operates with electrical voltage, and can generate both vacuum and pressure in the water system. When properly wired and plumbed, this pump will operate in a safe manner.

⚠ WARNING High voltage can cause serious or fatal injury. Always install a suitable GFCI at the power source of this unit as an added safety precaution. Article 681-31 of the NEC requires that a GFCI be used if this pump is used with a storable pool.

15. Avoid over tightening the pipe threads when connecting fittings to the pump or valve. Proper procedure is to apply a pipe sealant to the thread and then install hand tight plus one turn. **DO NOT OVER TIGHTEN.**

Section 3

Operation and Maintenance

Initial Start-Up

1. Be sure the correct amount of silica filter sand is in the tank and that all connections have been made and are secure.
2. Verify that the backwash is open so that water is free to flow from the pool and out the backwash line. Set the control valve to “Backwash” position.

⚠ DANGER

This filter operates under pressure. With the valve clamped properly and operated without air in the system, this filter will operate in a safe manner. Air entering the filter and the valve not clamped correctly can cause the valve to separate, which could cause serious personal injury and/or property damage.

⚠ WARNING

Always turn pump off before changing valve positions. Changing valve positions while the pump is running can damage the control valve, which may cause serious injury or property damage.

3. Check the valve clamp on the filter for proper installation. **For valve clamp installation instructions, see Section 2: “Installation” on page 2.**
4. Open the manual air bleeder. (See Figure 3 for air bleeder location). **STAND CLEAR OF THE FILTER.** Prime and start the pump according to the pump instructions allowing the filter tank to fill with water. Close the air bleeder on the filter when a steady stream of water emerges.
5. Once the water flow is steady out the waste line, run the pump for at least two minutes. This initial backwashing of the filter is recommended to remove any impurities of fine sand particles in the silica sand media.
6. Turn the pump off and set valve to "Rinse" position. Ensure that all pool suction and return lines are open so that the water is free to flow from the pool to waste. **STAND CLEAR OF FILTER** and start the pump.
7. Run the pump for at least two minutes.

8. Turn the pump off and set valve to "Filter" position. Be sure that all pool suction and return lines are open so that water is free to flow from and to the pool.
9. Open the manual air bleeder on the filter. **STAND CLEAR OF FILTER** and start the pump.
10. Close the air bleeder on the filter when a steady stream of water emerges.
11. The filter has now started its filtering cycle. Verify that water is returning to the pool and take note of the operating pressure. The original starting pressure is _____psi with the filter clean.
12. Check the system for water leaks. If a leak is found, shut the pump off before correcting the leak.
13. As the filter removes dirt and impurities from the pool water, the accumulation will cause the filter pressure to rise and flow to diminish. When the pressure gauge reading is 10 psi higher than the clean filter reading noted above, it is time to backwash the filter.

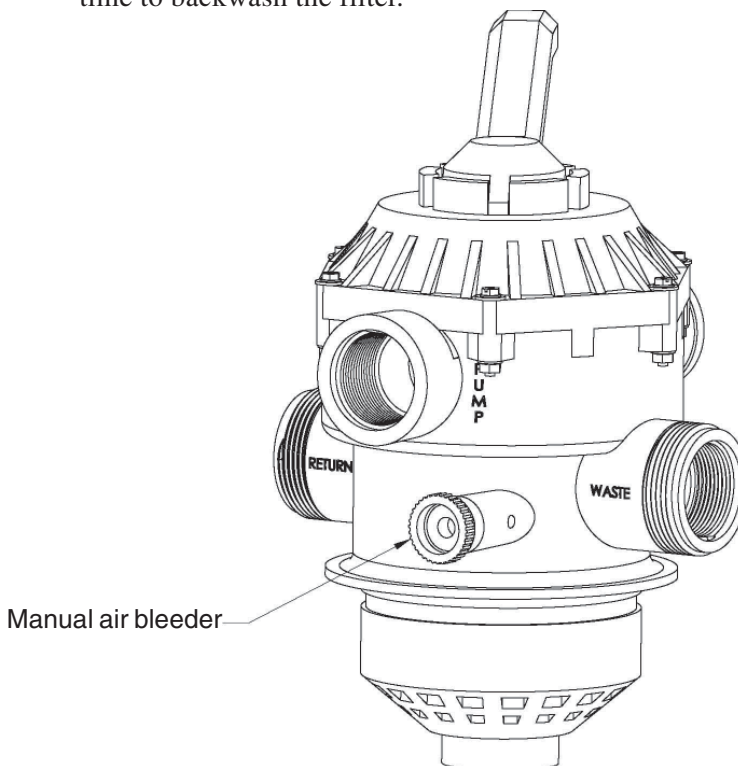


Figure 3.

Maintenance

Proper care and maintenance of the pump and sand filter system will add many years of enjoyment to the pool. Follow these suggestions for long trouble free operation.

1. To clean the exterior of the pump and sand filter system of dust and dirt, wash with mild detergent and water and then hose off. Do not use solvents.
2. If internal filter maintenance is required, sand may be removed by removing the entire drain spigot from the bottom of the filter and flushing with a garden hose.
3. The filter is a pressure vessel and should never be serviced while under pressure. Always relieve tank pressure and open air bleeder on filter before attempting to service the filter.
4. When restarting the filter always open the manual air bleeder on the filter and **STAND CLEAR OF FILTER**.
5. The strainer basket in the pump should be inspected and cleaned twice each week. Remove the clear lid and the basket, and clean debris from basket. Inspect the lid o-ring; if damaged, replace. The pump seal requires no lubrication. The pump motor should only be serviced by a motor service center.

Cleaning

1. The filter on a new pool should be backwashed, and cleaned after the first 48 hours of operation to clean out construction debris. There are three different ways to identify when the filter needs backwashing:
 - a) The most accurate indicator on pool systems with a flow meter is to backwash when the flow decreases 30% from original (clean filter) flow. For example, if the original flow was 60 GPM, the filter should be backwashed when the flow is reduced by about 20 GPM (or 30%) to 40 GPM.
 - b) A more subjective and less accurate indicator is to observe the amount of water flowing from the flow directionals located in the wall of the pool. The filter should be backwashed once it is detected that the flow has been reduced.

Cleaning (continued)

- c) The most commonly used, but least accurate indicator is to backwash when the filter gauge reading increases 10 psi over the initial (clean filter) reading.
2. It is important not to backwash the filter solely on a timed basis such as every three (3) days. It is also important to note that backwashing too frequently actually causes poor filtration. Factors like weather conditions, heavy rains, dust or pollen, and water temperatures all affect the frequency of backwashing. As you use your pool, you will become aware of these influences.

Filter and Control Valve Functions

FILTER: From pump, through valve, downward through filter sand bed, up through center pipe to valve return port, and back to the pool for normal filter action and vacuuming pool through filter.

BACKWASH: From pump, through valve, down through center pipe, up through filter sand to valve, and out waste port. This position is used for cleaning filter by reversing flow.

RINSE: From pump, through valve, downward through filter sand, up through center pipe to valve and out waste port. This position is used for start up cleaning and resettling filter bed after backwashing.

WASTE: From pump, through valve, bypasses filter and goes to waste port. This position is for vacuuming directly to waste, lowering pool level, or draining pool.

CLOSED: NO FLOW IN THIS POSITION - DO NOT USE THIS SETTING WHILE PUMP IS OPERATING.

RECIRCULATE: From pump, through valve, bypasses filter and goes to return port and back to pool. This position is for circulating water without going through filter.

WINTERIZING: Valve position for a winterized filter, see page 12.

Filter Backwash Procedure



Failure to operate your filter system or inadequate filtration can cause poor water clarity obstructing visibility in your pool. Poor water clarity may obscure objects in the water which while swimming and diving could cause serious injury or death. Never swim in a pool with poor water clarity.



To prevent equipment damage and possible injury, always turn pump off before changing valve position.

1. Stop pump.
2. Ensure that the suction and backwash lines are open so that water is free to come from the pool and flow out the backwash line. Set control valve to "Backwash" position.
3. STAND CLEAR OF FILTER and start pump.
4. Backwash filter for approximately three (3) minutes or until backwash water is clean.
5. Stop pump and set valve to "Rinse" position.
6. STAND CLEAR OF FILTER and start pump..
7. Rinse filter for approximately 30 seconds.
8. Stop pump and set valve to "Filter" position.
9. Ensure the pool return line is open so that water may flow freely from the filter back to the pool.
10. Open manual air bleeder on filter. STAND CLEAR OF FILTER and start pump.
11. Close manual air bleeder on filter when a steady stream of water emerges from the bleeder.
12. The filter has now started its filtering cycle. Verify the water is returning to the pool and take note of the filter pressure.
13. The filter pressure in Step 12 above should not exceed the pressure originally observed on the filter when it was initially started. If after backwashing, the pressure is 4 to 6 psi above the start condition it will be necessary to chemically clean the sand bed.

Chemical Cleaning

1. It is recommended that one of the following cleaners be used: FILTER-CLEANSE™ - Advantis Technologies, Inc. KLEEN IT® - BioLab, Inc. These cleaners will remove oils, scale and rust from the sand bed in one cleaning operation.
2. Mix the solution following the manufacturer's instructions on the label.
3. Backwash the filter with the valve as described above.
4. If the filter is below pool level, switch pump off and close the appropriate valves to prevent draining the pool.
5. Switch off pump, open filter drain and allow filter to empty. Place valve in "Backwash" position.
6. After the filter has drained, close the filter drain and remove the pump strainer pot lid.
7. Be sure the backwash lines are open.
8. Switch the pump on and slowly pour the cleaning solution into the pump strainer with the pump running. If filter is below pool, open shut off valve slightly to allow pump to run.
9. Continue adding solution until the sand bed is saturated with cleaning solution.
10. Switch off the pump and leave filter in "Backwash" position. Allow the filter to stand overnight (12 hours).
11. Replace the pump lid and follow backwash procedure as described above.
12. Do not allow cleaning solution to get into the pool.

Winterizing the System

CAUTION Allowing water to freeze in the system will damage the system and cause potential water damage/ flooding and potential property damage.

1. In areas that have freezing winter temperatures, the pool equipment must be winterized to protect it from damage.
2. Backwash the filter. Switch off the pump and set the control valve to the “Winterize” position.
3. Remove the drain port cap at the bottom of the filter.
IMPORTANT NOTE: Remove drain port cap only for draining water from filter. Removing the entire fitting will allow sand to drain also. The filter will drain slowly. Leave the drain port cap off and store it during the time the system is shut down.

CAUTION The Multiport Valve should be left in the “Winterize” position during the shutdown season so that the rubber seal of the valve diverter has no pressure on it. Failure to do so can damage the valve diverter seal which can cause property damage from leaking water.

4. Drain all appropriate system piping.
5. It is recommended that the pump and filter be covered with a tarpaulin or plastic sheet to inhibit deterioration from the weather. DO NOT wrap the pump motor with plastic.
6. In installations where the pump cannot be drained a 40% Propylene Glycol 60% water solution will protect to -50° F (-45.5° C)
Note: Do not use anti-freeze solutions except Propylene Glycol; as other anti-freeze are highly toxic and will damage the pump.

Technical Data and Replacement Parts

Note
 Please see the provided insert sheet for Technical Data and Replacement Parts information specific to your Filter.

Troubleshooting

Problem	Cause	Action
Pool water not sufficiently clean.	<ol style="list-style-type: none"> 1. Pool chemistry not adequate to inhibit algae growth. 2. Too frequent a backwash cycle. 3. Improper amount or wrong sand size. 4. Inadequate turnover rate. 	<p>Maintain pool chemistry or consult service technician.</p> <p>Allow pressure to build to 10PSI above clean filter condition before backwashing.</p> <p>Check sand bed depth and sand size or consult pool service technician.</p> <p>Run system for longer time or consult dealer or pool service technician.</p>
Higher filter pressure.	<ol style="list-style-type: none"> 1. Insufficient backwashing. 2. Sand bed plugging with mineral deposits. 3. Partially closed valve or restriction. 	<p>Backwash until effluent runs clear.</p> <p>Chemically clean filter.</p> <p>Open valve or remove obstruction in return line.</p>
Short filter cycles.	<ol style="list-style-type: none"> 1. Improper backwashing. 2. Pool chemistry not adequate to inhibit algae growth. 3. Plugged sand bed. 4. Flow rate too high. 	<p>Backwash until effluent runs clear.</p> <p>Maintain pool chemistry or consult pool service technician.</p> <p>Manually remove top 1" surface of sand bed and chemically clean as required.</p> <p>Restrict flow to capacity of filter.</p>
Return flow to pool diminished, low filter pressure.	<ol style="list-style-type: none"> 1. Obstruction in the pump hair and lint pot. 2. Obstruction in pump. 3. Obstruction in suction line to pump. 	<p>Clean basket in strainer.</p> <p>Disassemble and clean pump.</p> <p>Clean skimmer basket. Remove obstruction in lines.</p> <p>Open valves in suction line.</p>
Sand returning to pool.	<ol style="list-style-type: none"> 1. Broken underdrain lateral. 2. Backwash rate too high. 	<p>Replace broken or damaged laterals.</p> <p>Reduce backwash flow rate.</p>

NOTES

NOTES



P/N 152006 Rev B - 9/3/14



Filtro de Arena



Guía del Usuario Y de Instalación

IMPORTANTES INSTRUCCIONES DE
SEGURIDAD LEA Y SIGA TODAS LAS
INSTRUCCIONES PROTEJA ESTAS
INSTRUCCIONES

Soporte Técnico

Sanford, North Carolina (8 A.M. a las 5 P.M. Horario del Este y Pacifico)

Moorpark, California (8 A.M. a las 5 P.M. Horario del Este y Pacifico)

Telefono: (800) 831-7133

Fax (800) 284-4151

Pagina de internet: visite www.pentairpool.com y staritepool.com

Índice

Advertencias y Importante Precauciones de Seguridad.....	i
Sección 1: Información acerca del Filtro.....	1
Sección 2: Instalación	2
Sección 3: Operación y Mantenimiento	6
Inicio.....	6
Mantenimiento	8
Limpieza del Filtro.....	8
Funciones de la válvula de control y el Filtro.....	9
Procedimiento de limpieza Retrolavador("Backwash").....	10
Limpieza Química	11
Prepare su Filtro para el invierno.....	12
Información técnica y partes de Repuesto.....	12
Guía para la identificación de problemas.....	13

© 2014 Pentair Water Pool and Spa, Inc. Todos los derechos reservados.

1620 Hawkins Ave., Sanford, NC 27330 - (919) 566-8000

10951 West Los Angeles Ave., Moorpark, CA 93021 - (805) 553-5000

Pentair Water Pool and Spa® es marca comercial y/o marcas registradas de Pentair Water Pool and Spa, Inc. y/o de sus compañías afiliadas en Los Estados Unidos y/o en otros países. Filter-Cleanse™ es una marca de Advantis Technologies Inc. y Klean It® es una marca registrada de BioLab, Inc. A menos que sea indicado, los nombres y marcas de otros que puedan ser utilizados en este documento no son utilizados para indicar una afiliación o endorse entre los propietarios de estos nombres y marcas y Pentair Water Pool and Spa, Inc. Esos nombres y marcas pueden ser las marcas comerciales o registradas de esas entidades u otros.

Numero de parte 152006 Rev B - 9/3/14

ADVERTENCIA E IMPORTANTES PRECAUCIONES DE SEGURIDAD

▲ PELIGRO LESIONES SEVERAS O MUERTE PUEDE SER CAUSADO SI EL FILTRO DE ARENA SINO ES INSTALADO Y USADO CORRECTAMENTE.

▲ PELIGRO INSTALADORES, OPERADORES DE PISCINAS Y DUEÑOS TIENEN QUE LEER ESTAS ADVERTENCIAS Y TODOS LAS INSTRUCCIONES ANTES DE USAR ESTE FILTRO DE ARENA.

▲ ADVERTENCIA Este Filtro de Arena esta diseñado solamente para uso en una piscina.

▲ ADVERTENCIA Casi todos los Estados de Los Estados Unidos y códigos locales regulan la construcción, instalación, y operación de piscinas públicas y balnearios, y la construcción de piscinas y balnearios. Es muy importante seguir estos códigos, la mayoría afectan directamente a la regulación de instalación y el uso de este producto. Consulte con su código local de construcción para más información.



NOTA IMPORTANTE – Atención instalador: Esta Guía del Usuario y de Instalación (“Guía”) contiene información importante acerca de la instalación, operación y uso seguro de esta Bomba y Filtro de Arena. Esta guía debe ser entregada al dueño de la piscina y/o al operador de este equipo de sistema.

▲ ADVERTENCIA Antes de instalar este producto, lea y siga todas las notas de advertencia e instrucciones en esta guía. En caso de no seguir las advertencias e instrucciones de seguridad puede resultar en lesiones severas, muerte o daño de propiedad. Llame al (800) 831-7133 para obtener copias adicionales gratuitas de estas instrucciones. Por favor refiérase a www.pentairwater.com para más información acerca de este producto.

▲ PELIGRO



La temperatura de agua a más de 100 °F (37.7 °C) puede ser peligroso para su salud. Sumersiones largas en agua caliente pueden inducir hipotermia. La hipotermia puede ser causada cuando la temperatura interna del cuerpo llega a un nivel o más grados sobre la temperatura normal del cuerpo que es 98.6 °F. (37 °C). Los efectos de la hipotermia son: (1) Ignorar el inminente peligro. (2) No sentir o percibir

calor. (3) No reconocer la necesidad de salirse del balneario. (4) Inhabilidad física de salirse del balneario. (5) Daño al feto para mujeres embarazadas. (6) Perder el conocimiento resultando un peligro para ahogarse. El uso de alcohol, drogas, o medicación puede incrementar el riesgo de hipotermia fatal en balnearios calientes..

La temperatura máxima del agua para el funcionamiento de este filtro es de 95º F (35ºC).

▲ ADVERTENCIA Para reducir el riesgo de lesiones, no permita que los niños usen u operen esta Bomba y Filtro de Arena.

▲ ADVERTENCIA Cuando se establece el volumen y la corriente de agua que entra en la piscina, el operador tiene que considerar los códigos locales que rigen los volúmenes de agua y también las reglas para las raciones de desinfección.

▲ ADVERTENCIA No aumentar el tamaño de la bomba; esto puede causar que el volumen de agua que pase por el sistema pueda excedir el volumen máximo de agua que esta indicado en el cubierta de el drenaje.

ADVERTENCIA E IMPORTANTES PRECAUCIONES DE SEGURIDAD



▲ PELIGRO

Si la abrazadera del Filtro a sido ajustada con baja presión, el tanque puede separarse causando lesiones graves y daños de propiedad. Elimine la presión del filtro y lea las instrucciones antes a trabajar en el filtro de arena. Si la abrazadera de el filtro a sido ajustada bajo , el tanque podria separarse causando lesiones serias y gran daño a propiedad.



▲ ADVERTENCIA

Antes de trabajar en el Filtro!

- (1) Apague la bomba.
- (2) Abrir la válvula para sacar el aire
- (3) Sacar toda la presión del sistema

RIESGO DE UN CHOQUE ELECTRICO O ELECTROCUCION:



▲ PELIGRO

LA BOMBA NECESITA ALTO VOLTAGE Y ESO PUEDE CAUSAR UN CHOQUE ELECTRICO, QUEMADURA, O MUERTE.

ANTES DE USAR LA BOMBA!

SIEMPRE DESCONECTE LA ENERGIA DE LA BOMBA DESDE EL INTERRUPTOR AUTOMATICO ANTES DE TRABAJAR Y DAR SERVICIO A LA BOMBA. SI NO HACE ESTO, PUEDE SER CAUSA DE MUERTE O SERIAS LESIONES A LA PERSONA QUE TRABAJE DANDO SERVICIO A LA BOMBA, LOS QUE ESTÉN USANDO LA PISCINA, U OTROS DEVIDO A UN CHOQUE ELÉCTRICO.



▲ ADVERTENCIA

Una bomba de piscina o balneario debe de ser instalada por una persona calificada para servicio de piscina y balnearios profesional por reglas establecidas por el código nacional de electricistas y todos los códigos locales y leyes. Instalación inapropiada puede causar peligro de choque eléctrico que puede causar muerte o daño serio para los que usen la piscina, instaladores, u otros, y también puede dañar la propiedad.



▲ ADVERTENCIA

Bombas no son substitutos para cubiertas de drenaje que estén instalados correctamente y que estén seguros. Una cubierta de drenaje aprobado por el ANSI/ASME A112.19.8 tiene que ser usado para cada drenaje. Piscinas y balnearios deberian de utilizar por lo menos dos drenajes por bomba. Si una cubierta de drenaje se afloja, se quiebra o se pierde, cierre la piscina o balneario inmediatamente y apague la bomba hasta que una cubierta de drenaje anti-entrapamiento haya sido instalada correctamente con los tornillos de el fabricante.

Para información acerca de Virginia Graemer Baker Pool and Spa Safety Act, contacte el Consumer Product Safety Comisión a (310)504-7908 o refierase a www.spssc.gov.

Nota Importante: Siempre apague toda la energía eléctrica de la bomba de la piscina antes de instalar la tapadera o trabajar on cualquier salida del desagüe.

Sección 1

Resumen del Filtro

Su Filtro de Arena de alto flujo esta diseñado para producir agua clara, limpia y cristalina y para el funcionamiento de muchos años con poco mantenimiento cuando se instala y se opera siguiendo esta guía de instrucciones. Su filtro utiliza arena especial para remover particulares de tierra del agua. Suciedad es atrapada en el filtro por la cama de arena cuando el agua pasa por el filtro. El agua entra el filtro por la válvula de arriba de el filtro y es distribuida igualmente para abajo de la cama de arena. La suciedad es removida por la arena y el agua limpia corre por la tubería (laterales) en la parte de abajo del filtro, para arriba de la tubería central, y de regreso para la válvula de arriba del filtro, donde el agua limpia es regresada a la piscina por la plomería mangueras.

⚠ ADVERTENCIA

Este filtro funciona con presión alta. Cuando cualquier parte del sistema de circulación (abrazadora, bomba, filtro, válvulas, etc.) se le da servicio, aire puede entrar al sistema y puede ser presionado. Aire con presión puede causar la tapadera del filtro o la válvula de control que se separe, y esto puede causar lesiones graves, muerte, o daños de propiedad. Para evadir estos problemas, siga estas instrucciones.

1. Antes de reposicionar las válvulas y antes de empezar el ensamble, desensamble, ajuste de la abrazadera o cualquier otro servicio del sistema de circulación: (a) Apague la Bomba y todos los controles automáticos para asegurarse que el sistema: no empieza a arrancar o trabajar por error cuando la estén arreglando; (b) Abra la válvula de aire manualmente;
- (c) Esperar a que toda la presión se relaje, el medidor de presión tiene que indicar cero (0).
2. Cuando se instala la abrazadera para el filtro, siga las instrucciones exactas para la tapadera del filtro y de la abrazadera.
3. Cuando el servicio a el sistema de circulación este completo, siga las instrucciones exactas del sistema para arrancar el filtro.
4. Mantenga el sistema de circulación apropiadamente. Reemplace las partes que estén dañadas y desgastadas inmediatamente (Ejemplo: abrazadora, indicador de presión, válvula, empaque, etc.).
5. Asegúrese que el filtro este instalado apropiadamente y colocado de acuerdo a las condiciones de las instrucciones.

Después de un periodo de tiempo, suciedad se va a acumular en el filtro causando una resistencia para la corriente de agua que pasa por el filtro. Esta resistencia da como resultado una disminucion en el flujo de agua y un incremento en la presión dentro de el filtro. Eventualmente el filtro de arena va a remover tanta suciedad que la presión dentro del filtro va a subir a un punto que será necesario lavar el filtro con retrolavado.

Cuando la válvula superior del filtro se ajusta a la posición "Backwash" (retrolavado), el flujo de agua es automáticamente revertida a través de manera que el flujo de agua es dirigida hacia el fondo de el filtro, y hacia a través de la cama de arena, evacuando la tierra y partículas hacia afuera por medio de la línea de basura. Cuando el "Backwash" (retrolavado) esta finalizado, la válvula tiene que ser ajustada de regreso a la posición "Filter" ("Filtro") para que siga el filtro funcionando normalmente. La función del filtro es de remover material suspendida de el agua. El filtro no sanitiza el agua. Para obtener agua brillantemente limpia, el agua tiene que ser sanitizada y también balanceada químicamente. La química de la piscina es algo que requiere especialidad, y tiene que consultar con un especialista en esta área. Generalmente, para sanitizar la piscina apropiadamente se necesita el cloro a un nivel de 1 a 2 PPM y un pH de 7.2 a 7.6. Su sistema de filtración debe de ser diseñado de acuerdo al código local de salud. Por lo menos, tiene que estar seguro que su sistema va a mover todo el volumen de agua en la piscina por lo menos 2 veces en 24 horas.

⚠ ADVERTENCIA

Si el sistema del filtro no esta operando o no se utiliza correctamente puede ocasionar que el agua tenga poca visibilidad en la piscina. Cuando el agua tenga poca visibilidad en la piscina puede ocasionar que objetos que esten en el agua no sean detectados y si alguien nada o se tira al agua puede causar lesiones serias o muerte. Nunca nade en una piscina con agua con poca visibilidad.

Sección 2

Instalación

1. Lea y comprenda todas las instrucciones antes de tratar de instalar, operar o mantener su bomba y su sistema de filtro de arena.
2. Proveer espacio y luz para el mantenimiento de rutina. Ponga el sistema cerca de la piscina. No ponga controles eléctricos sobre el filtro. Instale los controles electricos (e.g., prendido/apagado, reloj automatico, control del systema, etc.) por lo menos 5 pies de distancia del filtro. Esto le dara suficiente area libre del filtro cuando el systema sea encendido.
3. Remueva todos los componentes individuales de la caja e inspeccione por cualquier daño visible.

⚠ ADVERTENCIA Cuando los cubiertas de drenaje (Succión Fittings) están obstruidas esto puede causar lesiones serias o fatales como ahogamiento. Para reducir el riesgo, no deje que los niños usen este producto.

⚠ ADVERTENCIA Nunca trabaje en la bomba cuando esta este trabajando o con energia electrica conectada. Alto voltaje puede causar lesiones serias o fatales. Una conexión a tierra de interrupción "Ground Fault Interrupter (GFCI)" o " interruptor de tierra automatico tiene que siempre estar instalado en la unidad de poder. Asegúrese que el motor este conectado a el poder eléctrico (AC) con una conexión a la tierra. Si el motor no tiene paso a tierra esto puede causar lesiones serias o fatales por electrocución. Nunca conecte la coneccion de tierra a una tuberia de gas.

4. El filtro esta listo para moverse a su posición final. El sistema debe instalarse en un lugar con piso nivelado. Cuando el filtro esta lleno de arena y agua puede pesar varias libras.
5. Asegúrese de instalar la cantidad de arena para el filtro la cual esta sugerida en la etiqueta del filtro. Tiene que usar solamente arena No. 20 de silica que tiene un coeficiente de uniformidad de 1.75 o menos. Arena No. 20 de silica tiene un tamaño de particulares de .018-.022 pulgadas (.45 a .55 mm). Antes de poner arena en el filtro, mire adentro del filtro y mire o inspeccione por laterales del drenaje de abajo por quebraduras, daño, o sueltas, que talvez han sido accidentalmente dañadas por el correo. Cambie todas las partes que estén quebradas si es necesario.
6. Instale la guía de arena arriba del filtro y llene el filtro hasta la mitad con agua. Ponga arena adentro de la parte de arriba del filtro despacio para que el peso de la arena no haga daño a las laterales. Después de llenar el filtro hasta el nivel indicado, remueva y tire la guía de arena. Limpie toda la arena alrededor de la entrada en la parte de arriba del tanque.

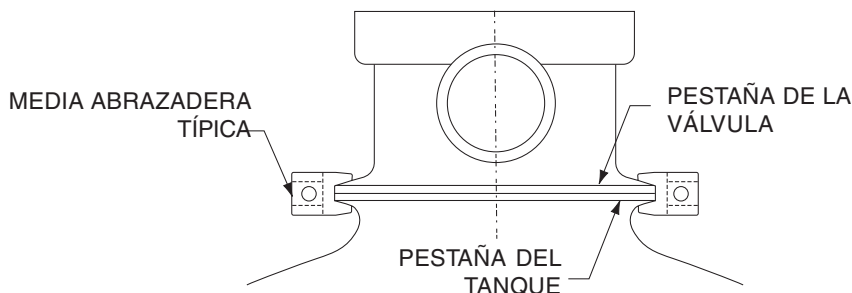


Figure 1

7. Asegúrese que la parte de arriba del filtro este libre de arena o escombros, y que el empaque de la válvula esta en el lugar adecuado en el cuerpo de la válvula. Instale la válvula para que la posición de las aperturas estén en la posición que se necesitan. Las aperturas de la válvula están indicadas con la posición donde tienen que estar conectadas. Por ejemplo: la conexión de la bomba debe de estar conectada al lado de donde la bomba descarga el agua, la conexión de apertura de deshecho tiene que estar conectada a la línea de deshecho y la conexión de retorno tiene que estar conectada al retorno de la piscina.

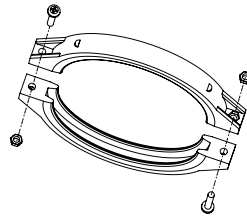


Figure 2.

8. Asegúrese que la válvula este firmemente empujada en la parte superior de el tanque y que el borde del tanque y el borde de la válvula estén en contacto con si mismas. Observe la Figura 1.
9. La abrazadera de plástico ahora puede ser instalada. Ponga la mitad de la abrazadera sobre la conexión de la válvula y la conexión del tanque como esta mostrado en Figura 1. Ponga los tornillos de la abrazadera y tuercas, también asegúrese que las tuercas esten posicionadas en la parte hexagonal de la abrazadera.
10. Apriete los tornillos firmemente e inspeccioné visualmente la válvula del tanque y el ensamblaje de la abrazadera para asegurarse que el enchufe este correctamente ensamblado.



Presión alta:

Inapropiada ensambladura de la válvula del tanque puede causar que la válvula se separe y cause graves lesiones y/o mayores daños a la propiedad.

11. La unidad del filtro tiene una presión máxima para operar que esta indicada en la placa de identificación. NO HAGA FUNCIONAR esta unidad con la presión mas alta de la máxima presión de la válvula o el filtro. Nunca conecté el filtro y la válvula a una bomba que pueda producir una presión que sea más alta que la presión de operación del filtro o la válvula.

12. Utilicé material de sellamiento en todas las conexiones que tengan tubería que tengan cambios de diámetro y conexiones. Solo use material de sellamiento que sea apropiado para tuberías de plástico . Fije la tubería para prevenir tensión con el filtro, la bomba o la válvula. **NO USE PRODUCTOS QUE ESTEN HECHOS CON BASE DE PETROLEO.** **NOTA:** Todas las roscas de las válvulas internas están disminuidas gradualmente excepto la conexión de la válvula del aire. No sobreapriete las conexiones disminuidas.
13. Instale el medidor de presión en la apertura con rosca ¼" NPT directamente enfrente de la apertura de la bomba para la válvula.
14. Nunca guarde químicos de la piscina cerca de diez (10) pies del filtro de la piscina, bomba o válvula. Químicos tienen que siempre estar guardados en áreas frescas, secas, y bien ventiladas.

⚠ ADVERTENCIA Gases de sustancias químicas o derramados en el suelo pueden causar corrosión para la estructura de los componentes del filtro y bomba. Componentes con estructuras débiles pueden causar partes del filtro, bomba o válvula que se separen y pueden causar graves lesiones o daños de propiedad.

⚠ ADVERTENCIA El sistema centrífugo de la bomba opera con alto voltaje eléctrico, y puede crear aspirar o drenar y presión en el sistema de agua. Cuando la bomba está conectada apropiadamente a su plomería, esta bomba funcionará de un modo seguro.

⚠ ADVERTENCIA Alto voltaje eléctrico puede causar graves lesiones o lesiones fatales. Siempre instale un interruptor de tierra GFCI "Ground Fault Interrupted" en el origen o raíz de la fuerza eléctrica de esta unidad como una regla de precaución. El Artículo 681-31 del NEC requiere que un GFCI sea usado si esta bomba es usada con una piscina portátil que se puede guardar.

15. Evite sobreapretar las roscas de las tuberías cuando conecte la válvula o la bomba. El procedimiento apropiado requiere que el material de sellamiento sea aplicado a las roscas y después apretarlas con las manos y un vuelta. No sobre apriete las roscas.

Sección 3

Operación y Mantenimiento

1. Asegúrese que se use la cantidad adecuada de arena silica para el filtro en el tanque y que todas las conexiones han sido hechas y estén seguras.
2. Inspeccione que la salida de conexión donde sale el flujo este abierto para que el agua salga libremente de la piscina y que salga por la línea de corriente ("Backwash")(Retrolavador). Seleccione la válvula de control a la posición de "Backwash". (Retrolavado)

▲ PELIGRO



Este filtro funciona bajo presión. Con la válvula conectada apropiadamente y operada sin aire en el sistema, este filtro puede funcionar de un modo seguro. Aire que entra el filtro y a la válvula cuando no esta conectada correctamente puede causar que la válvula se separe, esto puede causar graves lesiones personales y/o daños a la propiedad.

▲ ADVERTENCIA

Siempre apague la bomba antes de cambiar posiciones de válvula. Cambiar posiciones de válvula cuando la bomba esta funcionando puede dañar la válvula de control, esto puede causar graves lesiones o daños a la propiedad.

3. Inspeccione que la abrazadera de la valvula sobre el filtro este apropiadamente ensamblada. Nota: Verifique las instrucciones bajo "Instalación" sección de este manual para asegurarse.
4. Abra la válvula manual. Referirse a la figura 3 para localizar la válvula) Párese a una distancia segura del filtro. Prepare y arranque la bomba de acuerdo a las instrucciones de la bomba dejando que el tanque del filtro se llene de agua. Cierre la válvula de aire sobre el filtro cuando una corriente de agua aparezca y sea constante.
5. Una vez que la corriente de agua sea constante hacia afuera de la tubería de basura, deje trabajar la bomba por lo menos 2 minutos. Esta limpieza de regreso inicial del filtro esta recomendada para remover cualquier impureza o partículas de arena fina que se encuentran en la arena silica.

6. Apague la bomba y ponga la válvula para la posición "Rinse"(enjuague). Asegúrese que todos los drenajes de succión y las líneas de regreso estén abiertas para que el agua pueda correr libre desde la piscina hacia waste (basura). Párese a una distancia segura del filtro y empiece a trabajar la bomba.
7. Haga funcionar la bomba por lo menos dos minutos.
8. Apague la bomba y ponga la válvula en la posición "Filter"(filtrar). Asegúrese que todos los drenajes de succión y las líneas de regreso estén abiertas para que el agua pueda correr libre desde y hacia la piscina.
9. Abra la válvula manual de aire del filtro . Párese a una distancia segura del filtro y empiece a trabajar la bomba.
10. Cierre la salida de la válvula del filtro cuando un chorro de agua aparezca y sea constante.
11. Ahora el filtro a empezado el ciclo de filtraje. Verifique que el agua esta regresando a la piscina y tome nota de la presión de operación. La presión original es _____ PSI con el filtro limpio.
12. Inspeccione el sistema por escapes por donde el agua puede salir. Si encuentra un agujero en el sistema, apague la bomba antes de corregir o arreglar el agujero.
13. Cuando el filtro este removiendo la tierra y impurezas del agua de la piscina, la acumulación causara la presión del filtro que suba y la corriente del agua disminuya. Cuando el indicador de presión mide 10 PSI más alto de la medida de el filtro limpio, es tiempo para limpiar el filtro ("Backwash").(retrolavado).

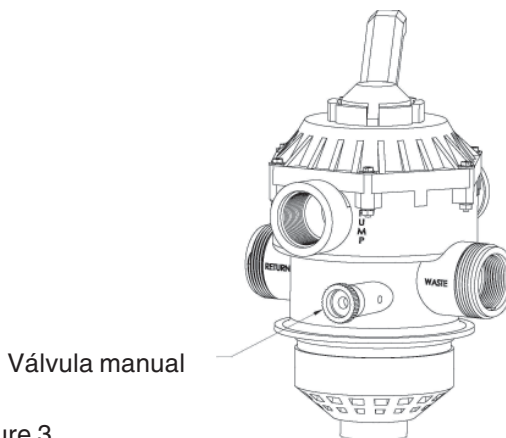


Figure 3.

Mantenimiento

Con el cuidado y mantenimiento apropiado del sistema de la bomba y el filtro de arena le añadirá muchos años para disfrutar su piscina. Siga las siguientes instrucciones para asegurar un periodo largo de no problemas en su sistema.

1. Para limpiar el exterior del sistema de la bomba y el filtro de basura y polvo, lávelos con agua y un detergente suave y después enjuáguelos con una manguera de agua. No use solventes.
2. Si el interior del filtro necesita mantenimiento, la arena deberá ser removida para remover el entero sistema de drenaje desde abajo del filtro y enjuagarlo con una manguera de agua del jardín.
3. El filtro es un recipiente de presión y nunca deberá darsele mantenimiento cuando este bajo presión. Siempre disminuya la presión del tanque y abra la válvula del filtro antes de empezar a dar mantenimiento al filtro.
4. Cuando empiece de nuevo el filtro siempre abra la válvula del aire manual del filtro y **RETIRESE DEL FILTRO**.
5. La canasta del colador en la bomba tiene que ser revisada y limpiada dos veces a la semana. Remueva y limpie la tapadera de la canasta, y limpie la basura depositada en la canasta. Inspeccione el anillo de la tapadera si está dañado, reemplazelo. El sello de la bomba no requiere lubricación. El motor de la bomba tiene que recibir mantenimiento solamente por un centro de servicio de mantenimiento.

Limpieza del Filtro

1. El filtro de una piscina nueva debe de ser limpiado de reversa, y limpiado después de 48 horas de funcionamiento para limpiar todos los escombros de la construcción. Existen tres diferentes maneras de identificar cuando un filtro necesita limpieza de reversa.
 - a) El indicador más exacto en el sistema de piscinas con un medidor de corriente es una limpieza de reversa cuando la corriente disminuye un 30% de la corriente original (en un filtro limpio). Por ejemplo, si la corriente original es de 60 GPM, el filtro tiene que ser lavado de reversa cuando la corriente es reducida por alrededor de 20 GPM (o un 30%) to 40 GPM.
 - b) Un más subjetivo y menos preciso indicador es de observar el contenido de agua corriendo desde las corrientes direccionales

Limpeza del Filtro

- c) El más comulmente usado, pero el menos exacto es el lavado de regreso cuando la medida del indicador aumenta 10 PSI sobre la medida inicial (con un filtro limpio).
2. Es importante no limpiar el filtro unicamente en bases regulares semejante a cada tres días. También es importante notar que limpiar de reversa muy frecuentemente en realidad puede causar una mediocre filtración.

Funciones de la válvula de control y el Filtro

Filtro "FILTER": De la bomba, por la válvula, por abajo por la cama del filtro, por arriba de la tubería central hacia la válvula de regreso, y de regreso para la piscina para acción normal del filtro y aspirando la piscina por el filtro.

Limpeza "BACKWASH": De la bomba, por la válvula, por abajo por la tubería central, por arriba por la arena del filtro para la válvula, y para fuera por la apertura de basura. Esta posición es usada para limpiar el filtro y correr la corriente en reverso.

Enjuague "RINSE": De la bomba, por la válvula, por abajo por la arena del filtro, por arriba por la tubería central para la válvula y para afuera por la apertura de basura. Esta posición es usada para limpieza inicial y reposición de la cama del filtro después de limpieza "Backwash".

Basura "WASTE": De la bomba, por la válvula, no pasa por el filtro y sigue para la apertura para la basura. Esta posición es para aspirando directamente de la suciedad, bajando el nivel de la piscina, o sacar toda el agua de la piscina.

Cerrado "CLOSED": NO HAY CORRIENTE DE AGUA EN ESTA POSISION - NO USE ESTA FUNCIÓN CUANDO LA BOMBA ESTE FUNCIONANDO.

Recircular "RECIRCULATE": De la bomba, por la válvula, no pasa por el filtro y sigue para la apertura de regreso y de regreso para la piscina. Esta posición es para circular el agua pero no pasar por el filtro.

Preparación para el clima "WINTERIZING": posición de **válvula para uso del filtro para el clima, lea pagina 12.**

Procedimiento de limpieza Retrolavador("Backwash")

▲ ADVERTENCIA

Perdida de uso u operación de su filtro o filtración inadecuadamente puede causar poca claridad de agua obstruyendo visibilidad en su piscina. Poca claridad en su piscina puede ocultar objetos en la piscina, causando lesiones graves o muerte cuando nadando o tirándose a la piscina. Nunca nade en una piscina con poca claridad de agua.

▲ ADVERTENCIA

Para prevenir daños al equipo y posibles lesiones, siempre apague la bomba antes de cambiar la posición de la válvula.

1. Apague la bomba.
2. Asegúrese que la succión y línea de limpieza estén abiertas para que el agua pueda moverse libremente desde la piscina y fluir hacia afuera por la línea de limpieza de regreso ("Backwash"). Coloque la válvula de control en la posición de limpieza de reversa "Backwash".
3. COLOQUESE A UNA DISTANCIA SEGURA DEL FILTRO y haga funcionar la bomba.
4. Limpie de reversa el filtro por aproximadamente tres (3) minutos o hasta que el agua de la limpieza de reversa salga limpia.
5. Apague la bomba y coloque la válvula en la posición de enjuague "Rinse".
6. COLOQUESE A UNA DISTANCIA SEGURA DEL FILTRO y haga funcionar la bomba.
7. Enjuague el filtro por aproximadamente 30 segundos.
8. Apague la bomba y coloque la válvula en la posición "Filter" (filtro).
9. Asegúrese que la línea de regreso del agua para la piscina este abierto para que el agua pueda fluir libremente desde el filtro hacia el regreso a la piscina.
10. Abra la válvula manual de aire en el filtro. COLOQUESE A UNA DISTANCIA SEGURA DEL FILTRO y prenda la bomba.
11. Cierre la válvula manual de aire del filtro cuando un chorro de agua salga constante salga por la válvula misma.
12. El filtro esta ahora empezando el ciclo de filtración. Verifique que el agua este regresando a la piscina y tome nota de la presión del filtro.
13. La presión del filtro en paso 12 no tiene que pasar la presión original observada cuando el filtro fue inicialmente encendido. Si después de limpieza "Backwash", la presión es 4 a 6 PSI arriba de la condición de empezar, será necesario limpiar la cama de arena químicamente.

Limpieza Química

1. Es recomendable que se use uno de los dos siguientes limpiadores:
FILTER - CLEANSE - Advantis Technologies, Inc.
KLEEN IT - BioLab, Inc.
Estos limpiadores remueven aceite, sarro, corrosión y oxidación de la cama de arena en un servicio de limpieza.
2. Combine la solución siguiendo las instrucciones en las etiquetas de los fabricantes.
3. Limpie de reversa el filtro y la válvula como se describe arriba.
4. Si el filtro está debajo del nivel de la piscina, apague la bomba y cierre las válvulas apropiadas para prevenir el desague de la piscina.
5. Apague la bomba, abra el drenaje del filtro y deje que el filtro se vacíe. Coloque la válvula en la posición de limpieza de reversa "Backwash".
6. Después de que el filtro se haya vaciado, cierre el drenaje del filtro y remueva la tapadera del colador de la bomba.
7. Asegúrese de que las líneas de limpieza de reversa "Backwash" estén abiertas.
8. Prenda la bomba y suavemente eche la solución de limpieza en el colador de la bomba cuando la bomba esté funcionando. Si el filtro está debajo de la piscina, abra la válvula ligeramente para permitir que la bomba funcione.
9. Continúe echando la solución hasta que la cama de arena esté saturada con la solución de limpieza.
10. Apague la bomba y deje el filtro en la posición de limpieza de reversa "Backwash". Deje el filtro en esa posición durante la noche (12 horas).
11. Reemplaze la tapadera de la bomba y siga las instrucciones de limpieza de reversa "Backwash" como se describe arriba.
12. No permita que la solución de limpieza caiga sobre la piscina.

Prepare su Filtro para el invierno

⚠ ADVERTENCIA Dejar que agua se convierta a hielo en el sistema, dañara el sistema y causara daño de agua/flooding y daño a propiedad causada por agua.

1. En áreas donde el agua se puede convertir en hielo durante el invierno, la piscina tiene que estar preparada para el invierno para proteger el sistema.
2. Limpie el filtro "Backwash"(retrolavado). Apague la bomba y ponga la posición de la válvula en la posición "Winterize"(preparar para el invierno).
3. Remueva el tapon de la apertura del drenaje inferior del filtro. **NOTA IMPORTANTE: Remueva la tapadera del drenaje solo para sacar agua del filtro. Remover toda la conexión dejara que también se salga la arena. El filtro vaciara el agua el solo. Deje el tapon de la apertura del drenaje en un lugar seguro durante el tiempo que el sistema este apagado.**

⚠ ADVERTENCIA La válvula multipuertos debe de ser dejado en la posición de "Winterize" (climatizado) durante la temporada que el sistema este apagado para que el empaque de la válvula diversificadora no tenga presión. Si esto no se hace esto puede causar daño a el empaque de la válvula diversificadora, y esto podría causar daño de propiedad.

4. Saque toda el agua del sistema de la tuberia.
5. Es recomendado que la bomba y filtro sean cubiertos con un lona o cubierta de plástico para que no se deterioren por el clima. NO envuelva o cubra el motor de la bomba con plástico.
6. En instalaciones donde el agua no se puede sacar de la bomba una solución de 40% Propylene Glycol y 60% solución de agua protegerá hasta -50 F (-45.5 C). **Nota:No use solución para prevenir que el agua se congele "anti-freeze"(anti-congelamiento), solo use Propylene Glycol; otras soluciones de "anti-freeze" (anti-congelamiento)son toxicas y van a dañar la bomba.**

Información técnica y partes de Repuesto

Nota
Por favor mire la información técnica y lista de partes de replazo específicamente para su filtro.

Guía para la identificación de problemas

PROBLEMA	CAUSA	SOLUCION
El agua de la piscina no está lo suficientemente limpia.	<ol style="list-style-type: none"> 1. La química de la piscina no es adecuada para inhibir o impedir el crecimiento de algas. 2. Limpieza de reversa ("Backwash") muy frecuente. 3. Incorrecta cantidad de arena o tamaño equivocado. 4. Giro de velocidad inadecuado del ciclo del agua de la piscina. 	<p>Darle mantenimiento a la piscina con sustancias químicas o consulte a un técnico de servicio.</p> <p>Permita que la presión se acumule a 10 psi sobre la condición del filtro limpio antes de hacer una limpieza de reversa ("Backwash").</p> <p>Inspeccione la profundidad de la cama de arena y el tamaño de la arena o consulte con el técnico de servicio de la piscina.</p> <p>Haga funcionar el sistema por un tiempo más largo o consulte con el distribuidor o con el técnico de servicio de la piscina.</p>
Alta presión del filtro.	<ol style="list-style-type: none"> 1. Insuficiente Limpieza de reversa ("Backwash"). 2. La cama de arena tapada con depósitos minerales. 3. Válvula parcialmente cerrada o restringida. 	<p>Haga o realice una limpieza de reversa ("Backwash") hasta que el chorro de agua salga transparente.</p> <p>Limpie el filtro con sustancias químicas.</p>
Ciclos cortos del filtro.	<ol style="list-style-type: none"> 1. Incorrecta Limpieza de reversa ("Backwashing"). 2. La química de la piscina no es adecuada para inhibir o impedir el crecimiento de algas. 3. La cama de arena está tapada o atacada. 4. La velocidad de la corriente es demasiado alta. 	<p>Abra la válvula o remueva la obstrucción en la tubería de retorno.</p> <p>Lave por corriente hasta que el chorro de agua salga transparente.</p> <p>Darle mantenimiento a la piscina con sustancias química o consulte con el técnico de servicio de la piscina.</p> <p>Manualmente quite una 1 in. de la superficie superior de la cama de arena y haga una limpieza de sustancias químicas según sea necesario.</p> <p>Restrinja o limita la corriente de la capacidad del filtro.</p>
La corriente de regreso a la piscina disminuida, baja presión del filtro.	<ol style="list-style-type: none"> 1. Obstrucción en el colador de la bomba de pelusa y cabello. 2. Obstrucción de la bomba. 3. Obstrucción en la tubería de succión a la bomba. 	<p>Limpie el canasto en el colador.</p> <p>Desmonte o desarme y limpie la bomba.</p> <p>Limpie la canasta de la espumadora ("Skimmer"). Remueva la obstrucción en las tuberías.</p> <p>Abra las válvulas en la tubería de succión.</p>
Arena de regreso a la piscina.	<ol style="list-style-type: none"> 1. Lateral debajo del drenaje quebrado. 2. Velocidad de limpieza de reverso ("Backwash") demasiado alta. 	<p>Reponga o sustituya el lateral dañado o roto.</p> <p>Reduzca la velocidad de la corriente de limpieza de reversa ("Backwash").</p>

NOTAS

NOTAS



P/N 152006 Rev B - 9/3/14



Filtre à sable



Guide d'installation et d'utilisation

ICONSIGNES DE SÉCURITÉ IMPORTANTES
VEUILLEZ LIRE ET SUIVRE ATTENTIVEMENT
TOUTES LES CONSIGNES
VEUILLEZ CONSERVER CES CONSIGNES

Soutien technique
Sanford, Caroline du Nord (8 h à 17 h HNE)

Moorpark, Californie (8 h à 17 h HNP)

Tél. : 1-800-831-7133

Télec. : 1-800-284-4151

Visitez www.pentairpool.com et staritepool.com

Table des matières

Mises en garde et consignes de sécurité.....	i
Section 1 : Vue d'ensemble du filtre.....	1
Section 2: Installation	2
Section 3: Fonctionnement et Entretien	6
Entretien	8
Nettoyage.....	8
Fonctions des positions de la vanne de régularisation du filtre.....	10
Procédure de lavage à contre courant.....	10
Procédure de nettoyage chimique.....	12
Hivernage du système de filtration.....	11
Fiche technique et pièces de rechange	13
Dépannage	14

© 2014 Pentair Water Pool and Spa, Inc. Tous droits réservés.

1620 Hawkins Ave., Sanford, NC 27330 • (919) 566-8000
10951 West Los Angeles Ave., Moorpark, CA 93021 • (805) 553-5000

Pentair Water Pool and Spa® est une marque de commerce enregistrée de Pentair Water Pool and Spa, Inc. et/ou de ses filiales aux États Unis et/ou dans d'autres pays. À moins que se soit indiqué autrement, l'utilisation des noms et des marques des produits autres que les siens dans ce document ne présuppose nullement l'affiliation entre les propriétaires de ces noms et marques de commerce et Pentair Water Pool and Spa, Inc. ou leur cautionnement.

P/N 152006 Rév B - 9/3/14

MISES EN GARDE ET CONSIGNES DE SÉCURITÉ



DANGER UNE INSTALLATION INCORRECTE DU FILTRE À SABLE PEUT ENTRAÎNER DES BLESSURES GRAVES OU LA MORT.



DANGER LES INSTALLATEURS, UTILISATEURS ET PROPRIÉTAIRES DE LA PISCINE DOIVENT LIRE TOUTES LES MISES EN GARDE ET LES INSTRUCTIONS AVANT D'UTILISER LE FILTRE À SABLE.



AVERTISSEMENT Le filtre à sable est conçu pour les piscines.



AVERTISSEMENT La plupart des instances municipales règlementent la construction, l'installation et le fonctionnement des piscines et des spas publics et privés. Il est important de se conformer à ses règlements, dont plusieurs régissent l'installation et l'utilisation de ce produit. Vérifier auprès des autorités locales pour plus d'information sur les exigences concernant le Code du bâtiment.



AVIS IMPORTANT - À l'intention de l'installateur : Ce guide contient d'importantes informations sur l'installation, le fonctionnement et les mesures de sécurité de ce produit. Ce guide doit être remis au propriétaire et/ou à l'opérateur de cet équipement après l'installation.



AVERTISSEMENT Avant d'installer ce produit, veuillez lire et suivre toutes les mises en garde et les consignes du guide. Le non-respect des mises en garde et des consignes peut entraîner d'importantes blessures, la mort ou des dommages matériels. Pour des copies supplémentaires gratuites de ce guide, veuillez appeler au 1-800 831-7133. Pour plus de renseignements sur ces produits, veuillez consulter le site Web www.pentair.com.



DANGER Il peut être dangereux pour la santé de se plonger dans de l'eau à plus de 37,7 °C (100 °F). L'immersion prolongée en eau chaude peut causer l'hyperthermie. L'hyperthermie a lieu lorsque la température corporelle interne atteint plusieurs degrés au dessus de la température normale de 37 °C (98,6 °F). Les effets de l'hyperthermie incluent : (1) L'incapacité de prendre conscience du danger; (2) L'insensibilité à la chaleur; (3) L'incapacité de reconnaître le besoin de sortir du spa; (4) L'incapacité physique de sortir du spa; (5) Le risque élevé de dommages pour le fœtus chez les femmes enceintes; (6) La perte de conscience et le risque de noyade. La consommation d'alcool ou de drogue augmente considérablement les risques d'hyperthermie mortelle dans les cuves. La température travaillant maximum d'eau pour ce filtre est 95 ° F (35 ° C)



AVERTISSEMENT Afin de réduire le risque de blessures, ne pas permettre aux enfants de faire fonctionner le filtre à sable.



AVERTISSEMENT Lors du réglage du taux de renouvellement ou du débit de l'eau, l'opérateur doit prendre en compte les règlements municipaux concernant le taux de renouvellement ainsi que le coefficient de répartition de désinfectant.



AVERTISSEMENT NE PAS augmenter la puissance de la pompe, car cela pourrait avoir comme effet d'augmenter le débit de l'eau circulé par le système et dépasser le débit maximum recommandé indiqué sur le couvercle de drain.



AVERTISSEMENT Si le filtre à sable doit être utilisé dans un contexte autre que pour une habitation unifamiliale, un interrupteur d'urgence bien identifié doit être installé. L'interrupteur doit être facilement accessible et doit être à proximité et visible du filtre, tout en étant à au moins 1,52 m (5 pi).

MISES EN GARDE ET CONSIGNES DE SÉCURITÉ



L'air sous pression du filtre peut occasionner une séparation du couvercle supérieur pouvant entraîner des blessures sérieuses ou des dommages matériels.

Release all pressure and read instructions before working on the sand filter.

If the filter clamp is adjusted under pressure, the tank can separate, causing serious injury or major property damage.



AVANT D'INTERVENIR SUR LE FILTRE.

- (1) Arrêtez la pompe.
- (2) Ouvrez la soupape de surpression.
- (3) Libérez toute la pression à l'intérieur du système.



RISQUE DE DÉCHARGE ÉLECTRIQUE OU D'ÉLECTROCUTION :

POUR FONCTIONNER, LA POMPE REQUIERT UNE TENSION ÉLEVÉE QUI POURRAIT CAUSER DES CHOCES ÉLECTRIQUE, DES BRÛLURES OU LA MORT AVANT D'INTERVENIR SUR LE FILTRE.

AVANT DE COMMENCER L'ENTRETIEN DE LA POMPE, COUPEZ TOUJOURS LE COURANT ÉLECTRIQUE DE LA POMPE AU NIVEAU DU DISJONCTEUR. LE NON-RESPECT DE CETTE CONSIGNE PEUT ENTRAÎNER LA MORT OU DES BLESSURES GRAVES PAR DÉCHARGE ÉLECTRIQUE POUR LE TECHNICIEN, LES UTILISATEURS OU DES TIERS.



Une pompe pour piscine ou pour spa doit être installé par un technicien spécialisé, conformément au Code national d'électricité et à tous les codes et règlements locaux en vigueur. Toute mauvaise installation crée un danger électrique pouvant causer la mort par décharge électrique ou des blessures graves aux utilisateurs, aux installateurs ou à des tiers, et pouvant également provoquer des dégâts matériels.



Il n'y a pas de substitut possible pour un couvercle de drain adéquatement installé. Un couvercle anti-aspiration conforme à la plus récente version de la norme A112.19.8 de ANSI/ASME doit être utilisé sur chaque drain. Les piscines et les spas doivent avoir un minimum de deux drains par pompe. Si le couvercle de drain devient lâche, endommagé ou manquant, bloquez l'accès à la piscine ou au spa, fermez la pompe jusqu'à ce qu'un couvercle de drain conforme soit adéquatement installé à l'aide des vis fournies par le fabricant.

Pour de plus amples renseignements sur la U.S. Virginia Graeme Baker Pool and Spa Safety Act, contactez la Consumer Product Safety Commission au 301-504-7908 ou visitez le site Web www.cpsc.gov.

Remarque : Toujours couper l'alimentation électrique du circuit de circulation de la piscine au niveau du disjoncteur avant de procéder à l'installation du couvercle du drain ou sur tout orifice d'aspiration.

Section 1

Vue d'ensemble du filtre

Ce filtre à sable à grand débit est conçu afin de produire une eau claire et cristalline avec un minimum d'entretien et, lorsqu'il est installé, utilisé et entretenu conformément aux présentes instructions, fonctionnera pendant de nombreuses années sans problèmes. Le filtre utilise un sable spécial afin de retirer les impuretés de l'eau. Les impuretés sont recueillies dans le filtre par le lit de sable lorsque l'eau traverse le filtre. L'eau entre dans le filtre par la vanne de régulation sur le haut de celui-ci, puis est dirigée vers la surface du lit de sable. Les impuretés sont recueillies dans le lit de sable et l'eau propre traverse les éléments latéraux et le tuyau inférieur qui se trouve au bas du filtre, puis remonte pour pénétrer dans la vanne de régulation située dans le haut du filtre, d'où l'eau propre retourne ensuite à la piscine par la tuyauterie.

AVERTISSEMENT

CE FILTRE EST SOUMIS À UNE HAUTE PRESSION. Lorsque l'on intervient sur l'un ou l'autre des composants du circuit de circulation (p. ex. : bouchon, couvercle, pompe, filtre, robinet(s) etc.), l'air peut pénétrer n'importe où dans le circuit et devenir pressurisé. L'air sous pression peut occasionner une séparation du couvercle supérieur pouvant entraîner des blessures sérieuses, la mort ou l'endommagement du bien. Pour éviter ce danger potentiel, respectez ces instructions :

1. Avant de remettre la (les) vanne(s) en position et avant de commencer le montage, démontage, ou toute autre intervention sur le circuit :

(a) Mettre la pompe sur ARRÊT et mettre HORS SERVICE tout automatisme pour garantir que le système ne soit PAS démarré par inadvertance pendant l'opération d'entretien;

(B) ouvrir le robinet manuel de purge d'air;

(C) attendre jusqu'à ce que toute pression soit évacuée, le manomètre doit lire zéro (0).

2. Lors du montage du couvercle de filtre, RESPECTEZ EXACTEMENT LES INSTRUCTIONS RELATIVES AU COUVERCLE DE FILTRE.

3. Une fois l'intervention sur le circuit terminée, RESPECTER EXACTEMENT LES INSTRUCTIONS DE MISE EN SERVICE.

4. Maintenir le circuit de circulation correctement. Remplacer les pièces usées ou endommagées immédiatement (par exemple : couvercle, manomètre, vanne(s), joints toriques, etc.)

5. S'assurer que le filtre est correctement monté et positionné suivant les instructions fournies.

Après un certain temps, les impuretés s'accumuleront dans le filtre et obstrueront le flux de l'eau à travers le filtre, entraînant une augmentation de la pression du filtre et une diminution du débit de l'eau, il sera alors nécessaire de procéder à un lavage à contre-courant (Backwash).

En réglant la vanne de régulation sur le haut du filtre à la position " Backwash ", le flux de l'eau est automatiquement inversé dans le filtre afin qu'il soit dirigé vers le bas du filtre, remonte par le lit de sable en éliminant les impuretés et les débris du sable, puis ressorte par le tuyau d'égout. Une fois le lavage à contre-courant terminé, remplacez la vanne de régulation sur la position " Filter " afin de continuer la filtration normale. La filtration permet d'éliminer les particules en suspension de l'eau, mais elle n'épure pas l'eau de la piscine. L'eau doit être épurée et sa composition doit être équilibrée pour qu'elle soit très claire et cristalline. Le traitement chimique d'une piscine est l'affaire de spécialistes et il convient de consulter un spécialiste local de l'entretien des piscines pour de plus amples informations. En règle générale, pour que l'eau d'une piscine soit correctement épurée, elle doit présenter un niveau de chloration de 1 à 2 ppm et un pH compris entre 7,2 et 7,6. Le système de filtration doit être conçu pour respecter la réglementation sanitaire locale applicable. Au minimum, le système doit renouveler la totalité de l'eau de la piscine au moins deux fois par période de vingt-quatre (24) heures.

▲ AVERTISSEMENT

Une non-utilisation de votre système de filtrage ou un filtrage insuffisant peut provoquer un manque de clarté de l'eau gênant la visibilité dans votre piscine. Quelqu'un peut ainsi plonger sur des objets qu'il ne peut voir, risquant de se blesser gravement, voire de se noyer. Ne jamais se baigner dans une piscine si l'eau trouble la visibilité.

Section 2

Guide d'installation et d'utilisation

1. Veuillez lire et respecter toutes les instructions avant de procéder à l'installation, au fonctionnement ou à l'entretien du système de filtration à sable.
2. Prévoyez un accès suffisamment spacieux et bien éclairé pour l'entretien. Positionnez le système de filtration près de la piscine. Ne montez pas de commandes électriques au-dessus du filtre. Vous devez pouvoir vous écarter de celui-ci lors de la mise en marche de la pompe.
3. Retirez tous les éléments du système des cartons et examinez-les au cas où ils seraient endommagés. Si le carton ou tout élément du filtre est endommagé, avisez-en le transporteur immédiatement.

⚠ AVERTISSEMENT L'obstruction des raccords d'aspiration peut provoquer des blessures graves, voire mortelles par noyade. Afin de réduire les risques de blessures, ne pas permettre aux enfants de faire fonctionner ce système.

⚠ AVERTISSEMENT Ne travaillez jamais sur la pompe lorsqu'elle est en marche ou lorsqu'elle est encore sous tension. Une tension dangereuse peut provoquer de graves blessures, voire la mort. Installez un disjoncteur de fuite à la terre au point de raccordement de cet appareil. Assurez-vous de mettre le moteur à la terre avant de le raccorder à une prise secteur. Sinon, il y a un risque d'électrocution grave, voire mortel. **NE VOUS SERVEZ PAS** d'une canalisation d'alimentation en gaz pour le mettre à terre.

4. Déplacez maintenant le système à sa position ultime. Le système doit être placé sur une surface dure et au niveau. Une fois rempli de sable et d'eau, le filtre peut peser plusieurs centaines de livres.
5. Assurez-vous de mettre la quantité de sable recommandé sur la plaque signalétique du filtre. Seulement un sable siliceux N° 20 standard à coefficient d'uniformité maximum de 1,75 doit être utilisé. Le sable siliceux n° 20 a des particules de 0,45 à 0,55 mm (0,018 à 0,022 po) de grosseur. Avant de verser le sable dans le filtre, regardez bien à l'intérieur de celui-ci et vérifiez le ponceau inférieur pour rechercher tout élément latéral (ou doigt) cassé ou desserré, susceptible d'avoir été endommagé accidentellement par une manutention brutale lors du transport. Remplacez toute pièce cassée si nécessaire.
6. Installez le guide-sable à la partie supérieure du filtre et videz de l'eau dans le réservoir pour le remplir environ à moitié. Versez doucement le sable dans le filtre de façon à ce que le poids du sable n'endommage pas les éléments latéraux. Une fois le filtre rempli au niveau approprié, retirez le guide-sable et jetez-le. Enlevez le sable qui s'est déposé autour de l'ouverture supérieure du réservoir.

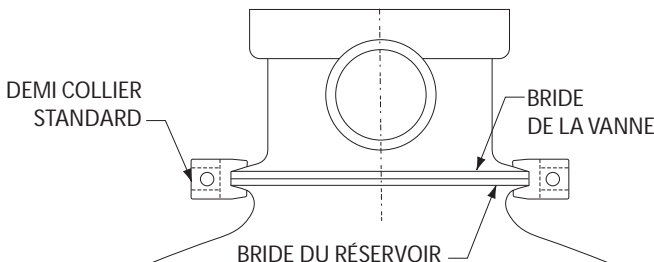


Figure 1.

7. Assurez-vous qu'il n'y a pas de sable ni de débris sur le dessus du filtre et que le joint torique est en place sur le corps de vanne. Installez la vanne de manière à ce que les orifices soient dans la position finale désirée. Les orifices de la vanne sont étiquetés avec leur emplacement, par exemple, l'orifice de la pompe doit être raccordé à l'orifice de sortie de la pompe, l'orifice de vidange doit être raccordé au tuyau d'évacuation et l'orifice de retour doit être raccordé au tuyau de retour à la piscine.

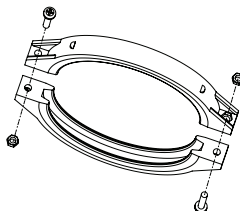


Figure 2.

8. Assurez-vous que la vanne est fermement enfoncée dans le couvercle et que la bride du réservoir et la bride de la vanne se touchent. Reportez-vous à la figure 1.
9. Le collier en plastique peut maintenant être posé. Placez le demi-collier sur la bride de vanne et sur la bride du réservoir comme indiqué à la figure 1. Insérez les vis et écrous dans le demi-collier en vous assurant que les écrous soient situés dans l'emplacement de retenue hexagonal sur les colliers. Reportez-vous à la figure 2.
10. Serrez les vis du collier fermement et vérifiez bien que la vanne du réservoir et le collier sont correctement assemblés.



AVERTISSEMENT

Haute pression :
Un assemblage incorrect de la vanne de réservoir peut entraîner une séparation du couvercle supérieur pouvant entraîner des blessures sérieuses ou des dommages matériels.

11. La pression maximale recommandée du filtre est inscrite sur la plaque signalétique du filtre. **NE JAMAIS FAIRE** fonctionner cet appareil à une pression supérieure à la pression maximale recommandée de la vanne ou du filtre. Ne jamais brancher le filtre à une pompe pouvant dépasser la pression maximale recommandée de la vanne ou du filtre.

12. Utilisez du mastic d'étanchéité sur tous les accouplements mâles de la tuyauterie et des raccords. N'utilisez que des mastics d'étanchéité adaptés à la tuyauterie en plastique. Soutenez la tuyauterie pour éviter toute contrainte exercée sur le filtre, la pompe ou la vanne. **N'UTILISEZ PAS DE PRODUIT À BASE DE PÉTROLE.** REMARQUE : Tous les embouts internes sont filetés à l'exception de ceux des tuyaux de la purge d'air. Ne serrez pas les raccords filetés outre mesure.
13. Installez le manomètre sur le raccord NPT de ¼ po face à l'orifice de la pompe.
14. N'entreposez jamais les produits chimiques destinés à la piscine à moins de 3 mètres (10 pieds) du filtre, de la pompe ou de la vanne. Ces produits doivent toujours être entreposés dans un endroit frais, sec et bien aéré.

⚠ AVERTISSEMENT Les vapeurs de produits chimiques et/ou renversements de ceux-ci peuvent corroder gravement les éléments essentiels du filtre et de la pompe. L'affaiblissement structurel de ces éléments peut provoquer un éclatement de la vanne ou des accessoires du filtre et occasionner des blessures graves et/ou dégâts matériels importants.

⚠ AVERTISSEMENT La pompe centrifuge du système fonctionne sous tension électrique et crée aussi bien une dépression qu'une pression dans le système. Lorsqu'elle est correctement câblée et raccordée, cette pompe fonction en toute sécurité.

⚠ AVERTISSEMENT Une tension dangereuse peut provoquer de graves blessures, voire la mort. Installez un disjoncteur de fuite à la terre au point de raccordement de cet appareil comme protection supplémentaire. L'article 681-31 du Code national de l'électricité exige qu'un disjoncteur de fuite à la terre soit installé si cette pompe est utilisée avec une piscine démontable.

15. Évitez de trop serrer les extrémités filetées de la tuyauterie lorsque vous branchez des raccords à la pompe. La façon correcte de procéder consiste à appliquer un mastic d'étanchéité pour tuyau au filetage et de serrer à la main, plus un (1) tour. **NE SERREZ PAS OUTRE MESURE.**

Section 3

Fonctionnement et entretien

Mise en route initiale

1. Assurez-vous que la quantité de sable siliceux correspond à celle recommandée et que tous les raccordements sont faits.
2. Vérifiez que le tuyau de lavage à contre-courant n'est pas obstrué, de façon à ce que l'eau puisse librement venir de la piscine et s'écouler par ce tuyau. Placez la vanne de régulation en position de lavage à contre-courant (Backwash).

⚠ DANGER

Ce filtre est soumis à une haute pression. Lorsque la vanne est correctement raccordée et qu'il n'y a pas d'air dans le système, ce filtre fonctionnera en toute sécurité. Lorsque de l'air entre dans le filtre et que le collier est mal installé, cela peut entraîner une séparation du couvercle supérieur pouvant entraîner des blessures sérieuses ou des dommages matériels.

⚠ AVERTISSEMENT

Afin d'éviter d'endommager l'équipement ou de prévenir de graves blessures, arrêtez toujours la pompe avant de changer la position de la vanne de régulation.

3. Assurez-vous que le collier de la vanne sur le filtre est correctement installé. Pour les instructions concernant l'installation du collier de serrage de la vanne, reportez-vous à la section 2 " Installation " de la page 2.
4. Ouvrez la purge d'air manuelle. (Reportez-vous à la Figure 3.) **ÉCARTEZ-VOUS DU FILTRE.** Amorcez et mettez la pompe en marche en suivant les instructions concernant la pompe et laissez le filtre se remplir d'eau. Refermez la purge d'air lorsque l'eau s'écoule en un jet continu.
5. Écartez-vous du filtre. Amorcez et mettez la pompe en marche en suivant les instructions accompagnant la pompe et laissez le filtre se remplir d'eau. Une fois que l'eau s'écoule en un jet continu du tuyau d'évacuation, laissez fonctionner la pompe au moins deux minutes. Le lavage à contre-courant du filtre est recommandé lors de la mise en service initiale afin d'éliminer de petites impuretés dans les particules du sable siliceux.

6. Arrêtez la pompe et placez la vanne de régulation à la position de rinçage (Rinse). Vérifiez que tous les tuyaux d'aspiration et de retour à la piscine ne sont pas obstrués, pour que l'eau puisse librement venir de la piscine et y retourner. **ÉCARTEZ-VOUS DU FILTRE** et mettez la pompe en marche.
7. Laissez fonctionner la pompe au moins deux minutes.
8. Arrêtez la pompe et placez la vanne de régulation en position de filtration (Filter). Vérifiez que tous les tuyaux d'aspiration et de retour ne soient pas obstrués afin que l'eau puisse librement venir de la piscine et y retourner.
9. Ouvrir la purge d'air manuelle du filtre. **ÉCARTEZ-VOUS DU FILTRE** et mettez la pompe en marche.
10. Refermez la purge d'air lorsque l'eau s'écoule en un jet continu.
11. Le filtre a alors entamé son cycle de filtrage. Vous devez vérifier que l'eau retourne à la piscine et noter la pression du filtre. La pression nominale est de _____PSI lorsque le filtre est propre.
12. Vérifiez le système pour toute fuite d'eau. Si vous trouvez une fuite, arrêtez la pompe avant de réparer.
13. Au fur et à mesure que le filtre retire les impuretés de l'eau de la piscine, l'accumulation cause à la pression du filtre de s'élever et au débit de s'abaisser. Lorsque la lecture du manomètre indique une augmentation de 68,9 kPa (10 psi) par rapport à la valeur initiale, il est nécessaire de procéder au lavage à contre-courant du filtre.

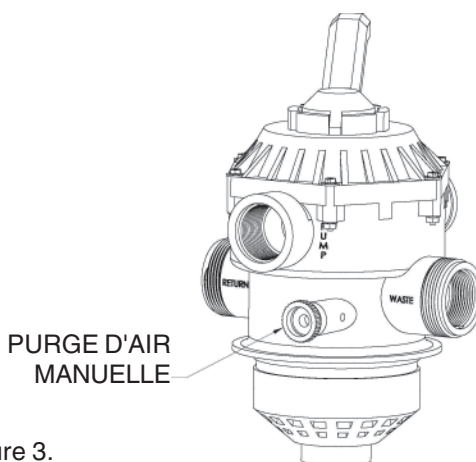


Figure 3.

Entretien

Avec une utilisation et un entretien adéquat, la durée de service du système sera prolongée de nombreuses années. Respectez les suggestions qui suivent afin que le système fonctionne pendant longtemps sans problème.

1. Pour débarrasser l'extérieur de la pompe et du filtre des impuretés et de la poussière, lavez-le avec une solution de détergent doux et d'eau et rincez-le au jet. N'utilisez pas de solvants.
2. Si un entretien de l'intérieur du filtre s'avère nécessaire, vous pouvez vider le sable en enlevant l'ensemble du robinet de vidange du bas du filtre et en rinçant celui-ci au jet.
3. Votre filtre est un réservoir sous pression et vous ne devez jamais en effectuer l'entretien lorsqu'il est pressurisé. Vous devez toujours délester la pression dans le réservoir et ouvrir le purgeur d'air qui se trouve sur le couvercle du filtre avant de procéder à l'entretien du filtre.
4. **ÉCARTEZ-VOUS DU FILTRE** - Lorsque vous remettez le filtre en marche, ouvrez toujours le purgeur d'air qui se trouve sur le couvercle du filtre et écartez-vous de celui-ci.
5. Le panier de la cuve de la pompe doit être nettoyé et inspecter deux fois par semaine. Retirez le couvercle transparent et le panier, puis retirez tous les débris du panier. Vérifiez l'étanchéité du joint torique et le remplacez-le s'il est endommagé. Le joint torique ne requiert pas de lubrifiant. Le moteur de la pompe ne doit être ouvert que par un technicien qualifié.

Nettoyage

1. Le filtre d'une piscine neuve doit être lavé à contre-courant et nettoyé au bout des 48 premières heures de fonctionnement pour en éliminer les débris résultant de la construction. Il y a trois façons de savoir quand le filtrage doit être lavé à contre-courant :
 - a) L'indication la plus précise qu'un lavage à contre-courant est nécessaire est, sur les systèmes équipés d'un débitmètre, que le débit diminue de 30 % par rapport au débit initial (filtre propre). Si, par exemple, le débit initial était de 227 l/min (60 gal/min), il convient de laver le filtre à contre-courant lorsque le débit diminue de 75,7 l/min (20 gal/min) pour atteindre 151,3 l/min (40 gal/min).
 - b) Une indication plus subjective et moins précise est donnée par l'observation du débit des sorties d'eau directionnelles qui se trouvent dans la paroi de la piscine. Le filtre doit être lavé à contre-courant lorsque vous constatez que le débit s'est réduit.
 - c) L'indication la plus communément utilisée et la moins précise de devoir laver à contre-courant est l'augmentation de 68,9 kPa (10 psi) par rapport à la valeur initiale (filtre propre) de la pression indiquée par le manomètre du filtre.
2. Il est important de ne pas laver le filtre à contre-courant uniquement à des intervalles de temps, par exemple tous les trois jours. Il est également important de noter qu'un lavage à contre-courant trop fréquent provoque en fait un mauvais filtrage. Des facteurs tels que les conditions atmosphériques, de fortes pluies, de fortes concentrations de poussière ou de pollen et les températures de l'eau affectent tous la fréquence du lavage à contre-courant. Vous deviendrez conscient de ces influences lorsque vous serez familiarisé avec l'utilisation de votre piscine.

Fonctions des positions de la vanne de régularisation du filtre

FILTER (FILTRE) : L'eau entre dans la pompe, par la vanne, descend dans le bas du filtre, puis remonte par le tuyau du centre au tuyau de retour de vanne, puis est à nouveau dans la piscine; pour une filtration normale ou pour le balayage par le filtre.

BACKWASH (LAVAGE À CONTRE-COURANT) : L'eau passe dans la pompe, par la vanne, descend le tuyau du centre, remonte par le filtre jusqu'à la vanne et sort par le tuyau d'égout. Cette position sert à nettoyer le filtre en inversant la circulation de l'eau.

RINSE (RINÇAGE) : L'eau passe dans la pompe, par la vanne, descend dans le bas du filtre, remonte le tuyau du centre, jusqu'à la vanne et sort par le tuyau d'égout. Cette position sert au nettoyage initial et pour décanter le sable du filtre après le lavage à contre-courant.

WASTE (ÉGOUTS) : L'eau passe dans la pompe, par la vanne, contourne le filtre et sort par le tuyau d'égout. Cette position sert au balayage afin de vider directement aux déchets, de baisser le niveau de l'eau ou de vider la piscine.

CLOSED (FERMÉ) : AUCUNE CIRCULATION - NE PAS UTILISER CE RÉGLAGE LORSQUE LA POMPE DOIT ÊTRE UTILISÉE.

RECIRCULATE (RECIRCULATION) : L'eau passe dans la pompe, par la vanne, contourne le filtre, puis remonte le tuyau et retourne vers la piscine. Cette position sert à faire recirculer l'eau en contournant le filtre.

WINTERIZING (HIVERNAGE) : Cette position sert à l'hivernage du filtre, reportez-vous à la page 13.

Procédure de lavage à contre courant



Une non-utilisation de votre système de filtrage ou un filtrage insuffisant peut provoquer un manque de clarté de l'eau gênant la visibilité dans votre piscine. Quelqu'un peut ainsi plonger sur des objets qu'il ne peut voir, risquant de se blesser gravement, voire de se noyer. Ne jamais se baigner dans une piscine si l'eau trouble la visibilité.

**AVERTISSEMENT**

Afin d'éviter d'endommager l'équipement ou de prévenir de graves blessures, arrêtez toujours la pompe avant de changer la position de la vanne de régulation

1. Arrêtez la pompe.
2. Assurez-vous que le tuyau de lavage à contre-courant n'est pas obstrué, de façon à ce que l'eau puisse librement venir de la piscine et s'écouler par ce tuyau. Placez la vanne de régulation en position de lavage à contre-courant (Backwash).
3. **ÉCARTEZ-VOUS DU FILTRE** et mettez la pompe en marche.
4. Lavez le filtre à contre-courant pendant trois (3) minutes environ ou jusqu'à ce que l'eau de lavage à contre-courant soit propre.
5. Arrêtez la pompe et placez la vanne de régulation à la position de rinçage (Rinse).
6. **ÉCARTEZ-VOUS DU FILTRE** et mettez la pompe en marche.
7. Rincez le filtre pendant environ 30 secondes.
8. Arrêtez la pompe et placez la vanne de régulation à la position de filtration (Filter).
9. Vérifiez que le tuyau de retour à la piscine n'est pas obstrué, pour que l'eau puisse librement venir de la piscine et y retourner.
10. Ouvrez la purge d'air manuelle qui se trouve sur le filtre. **ÉCARTEZ-VOUS DU FILTRE** et mettez la pompe en marche.
11. Refermez la purge d'air qui se trouve sur le filtre lorsque l'eau s'écoule de la purge en un jet continu.
12. Le filtre a alors entamé son cycle de filtrage. Vous devez vérifier que l'eau retourne à la piscine et noter la pression du filtre.
13. La pression du filtre relevée à l'étape 12 ci-dessus ne doit pas dépasser celle qui a été observée à l'origine lors de la mise en route initiale du filtre. Si, à l'issue du lavage à contre-courant, la pression est supérieure de 27,5 à 41,4 kPa (4 à 6 psi) à la pression relevée lors de la mise en route, il sera nécessaire de nettoyer chimiquement le lit de sable.

Procédure de nettoyage chimique

1. Il est recommandé d'utiliser un produit de nettoyage ci-dessous : FILTER-CLEANSE™ - Great Lakes Biochemical, KLEEN-IT® - BioLab, Inc Ces produits nettoyeurs élimineront l'huile, le tartre et la rouille du lit de sable en une seule opération de nettoyage.
2. Préparez une solution en suivant les instructions données par le fabricant sur l'étiquette.
3. Nettoyez le filtre à contre-courant comme indiqué plus haut.
4. Si le filtre est au-dessous du niveau de la piscine, arrêtez la pompe et fermez les vannes appropriées pour éviter de vider la piscine.
5. Arrêtez la pompe, ouvrez le robinet de vidange du filtre et laissez celui-ci se vider. Placez la vanne de régulation en position de lavage à contre-courant (Backwash).
6. Une fois que le filtre s'est vidé, refermez son robinet de vidange et enlevez le couvercle de la crépine de la pompe.
7. Vérifiez que les tuyaux de lavage à contre-courant ne sont pas obstrués.
8. Mettez la pompe en marche et videz lentement la solution de nettoyage dans la crépine de la pompe alors que celle-ci tourne. Si le filtre est en dessous du niveau de la piscine, ouvrez les vannes fermées appropriées afin de permettre à la pompe de fonctionner.
9. Continuez à ajouter de la solution de nettoyage jusqu'à ce que le lit de sable en soit saturé.
10. Arrêtez la pompe et laissez la vanne de régulation en position de lavage à contre-courant (Backwash). Laissez le filtre reposer pendant la nuit (12 heures).
11. Remettez le couvercle de la pompe en place et procédez à un lavage à contre-courant comme indiqué plus haut.
12. Empêchez la solution de nettoyage de pénétrer dans la piscine.

Hivernage du système de filtration

▲ ATTENTION Si de l'eau restant dans le système gèle, la pompe et la plomberie pourraient être endommagées et entraîner une inondation et des dommages matériels.

1. Dans les régions dans lesquelles les températures hivernales descendent sous zéro, vous devez procéder à l'hivernage de l'équipement de la piscine afin de le protéger.
2. Procédez au lavage à contre-courant. Arrêtez la pompe et placez la vanne de régulation en position d'hivernage (Winterize).
3. Retirez le bouchon de vidange du bas du filtre.
REMARQUE : Retirez le bouchon de vidange du bas du filtre. Ne retirez pas tout le raccord afin d'éviter que tout le sable s'écoule. Le filtre se videra très lentement. Il est recommandé de laisser le bouchon de vidange retiré pendant l'hiver.

▲ ATTENTION La vanne de régulation doit être laissée en position d'hivernage (Winterize) durant l'hiver de façon à ce que la soupape de dérivation n'exerce aucune pression sur le joint torique. Le non-respect de cette consigne peut endommager la soupape de dérivation, causant une fuite et des dommages matériels.

4. Vidangez toute la tuyauterie du système.
5. Nous recommandons de recouvrir l'équipement avec une toile goudronnée ou une feuille plastique pour éviter toute détérioration due aux intempéries. N'ENVELOPPEZ PAS le moteur de la pompe avec du plastique.
6. Dans des installations où la pompe ne peut être vidangée, une solution à 60 % d'eau et de 40 % propylène-glycol permettra de protéger jusqu'à une température de $-45,5\text{ °C}$ (50 °F).
Remarque : N'utilisez pas de solutions antigels autres que le propylène-glycol, car les antigels sont hautement toxiques et endommageraient la pompe.

Fiche technique et pièces de rechange

REMARQUE
Veuillez consulter la fiche technique et les pièces de rechange pour de plus amples renseignements propres à votre système.

Dépannage

PROBLÈME	CAUSE	SOLUTION
<p>Eau de la piscine insuffisamment propre</p>	<p>Composition chimique de l'eau de la piscine inadéquate pour empêcher la croissance des algues.</p> <ol style="list-style-type: none"> Lavage à contre-courant trop fréquent. Quantité ou calibre incorrect de sable. Cadence de renouvellement inadéquate. 	<p>Maintenez la composition chimique correcte de l'eau de la piscine ou consultez un technicien d'entretien spécialisé.</p> <p>Laissez la pression augmenter jusqu'à 68,9 kPa (10 psi) au-dessus de la pression avec filtre propre avant de laver à contre courant.</p> <p>Vérifiez l'épaisseur du lit de sable et le calibre de ce dernier ou consultez un technicien d'entretien spécialisé.</p> <p>Vérifiez l'épaisseur du lit de sable et le calibre de ce dernier ou consultez un technicien d'entretien spécialisé.</p>
<p>Pression trop élevée dans le filtre</p>	<ol style="list-style-type: none"> Lavage à contre-courant insuffisant. Lit de sable encombré de dépôts minéraux. Vanne partiellement fermée. 	<p>Lavez à contre-courant jusqu'à ce que l'eau de lavage soit claire.</p> <p>Nettoyez chimiquement le filtre.</p> <p>Ouvrez la vanne ou débouchez le tuyau de retour.</p>
<p>Cycles trop courts</p>	<ol style="list-style-type: none"> Lavage à contre-courant incorrect. Composition chimique de l'eau de la piscine inadéquate pour empêcher la croissance des algues. Lit de sable sale. Débit trop élevé. 	<p>Lavez à contre-courant jusqu'à ce que l'eau de lavage soit claire.</p> <p>Maintenez la composition chimique correcte de l'eau de la piscine ou consultez un technicien d'entretien spécialisé.</p> <p>Retirez à la main une épaisseur de 25 mm (1 po) sur le dessus du lit de sable et nettoyez chimiquement l'ensemble du lit de sable comme indiqué dans la Section G.</p> <p>Ramenez le débit à la capacité du filtre.</p>
<p>Réduction du débit de retour d'eau vers la piscine. Pression trop basse dans le filtre.</p>	<ol style="list-style-type: none"> Colmatage du filtre à cheveux et peluches de la pompe. Obstruction dans la pompe. Tuyau d'aspiration de la pompe obstrué 	<p>Nettoyez le filtre.</p> <p>Démontez et nettoyez la pompe.</p> <p>Nettoyez le panier du collecteur. Débouchez les tuyaux.</p> <p>Ouvrez les vannes du tuyau d'aspiration.</p>
<p>Retour du sable dans la piscine.</p>	<ol style="list-style-type: none"> Élément latéral de vidange par le bas cassé. Débit de lavage à contre-courant trop élevé. 	<p>Remplacez les éléments latéraux cassés ou endommagés.</p> <p>Réduisez le débit du lavage à contre-courant.</p>

REMARQUE



P/N 152006 Rév B - 9/3/14