

aXs2 Pool Lift

The aXs2 is a low profile pool lift that is an ideal access solution for community and hospitality swimming pools.

- 3rd party tested and verified ADA compliant
- Compact design requires minimal deck space
- 300 lb/136kg lifting capacity
- 360° rotation for transfer safety and flexibility
- Integrated armrests
- Sturdy and generous rotomolded seat
- LiftOperator® Intelligent Controller with 24V battery
- Full range of operation from handset and control box
- Conveniently ships in two boxes



LIFT COLOR



TAUPE SLATE GRAY MIST

Due to printing technology actual color may differ.

CADDY

aXs2 Caddy only available with pool lift purchase and ships in Box 3



aXs2

Part No.	Description	Shipping Class 85 2 Boxes			
		Weight	Length	Width	Height
310-0000	aXs2, Gray Mist				
310-0000-ST	aXs2, Slate				
310-0000-TP	aXs2, Taupe				
310-0000N	aXs2 without anchor, Gray Mist	102 lbs 46kg	55" 140cm	19" 48cm	14" 36cm
310-0000N-ST	aXs2 without anchor, Slate	36 lbs 16kg	24" 61cm	24" 61cm	27" 69cm
310-0000N-TP	aXs2 without anchor, Taupe				
310-0000R*	aXs2 Round Post without anchor, Gray Mist				
310-0000R-ST*	aXs2 Round Post without anchor, Slate				
310-0000R-TP*	aXs2 Round Post without anchor, Taupe				

aXs2 with Caddy

Part #	Description	Shipping Class 85 3 Boxes			
		Weight	Length	Width	Height
310-0000C	aXs2 with Caddy, Gray Mist				
310-0000C-ST	aXs2 with Caddy, Slate				
310-0000C-TP	aXs2 with Caddy, Taupe				
310-0000CN	aXs2 with Caddy, without anchor, Gray Mist	102 lbs 46kg	55" 140cm	19" 48cm	14" 36cm
310-0000CN-ST	aXs2 with Caddy without anchor, Slate	36 lbs 16kg	24" 61cm	24" 61cm	27" 69cm
310-0000CN-TP	aXs2 with Caddy without anchor, Taupe	50 lbs 23kg	30" 76cm	20" 51cm	57" 145cm

Includes battery, charger, battery console cover, water resistant hand control, LiftLock2 stainless steel anchor socket with cover, footrest, armrests and seat belt assembly

*Designed to fit in an existing round anchor with dimensions 2.38" ID x 6" deep

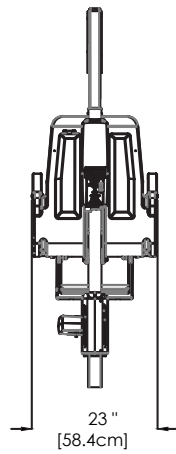
LIFTLOCK2

Locking anchor secures lift to deck

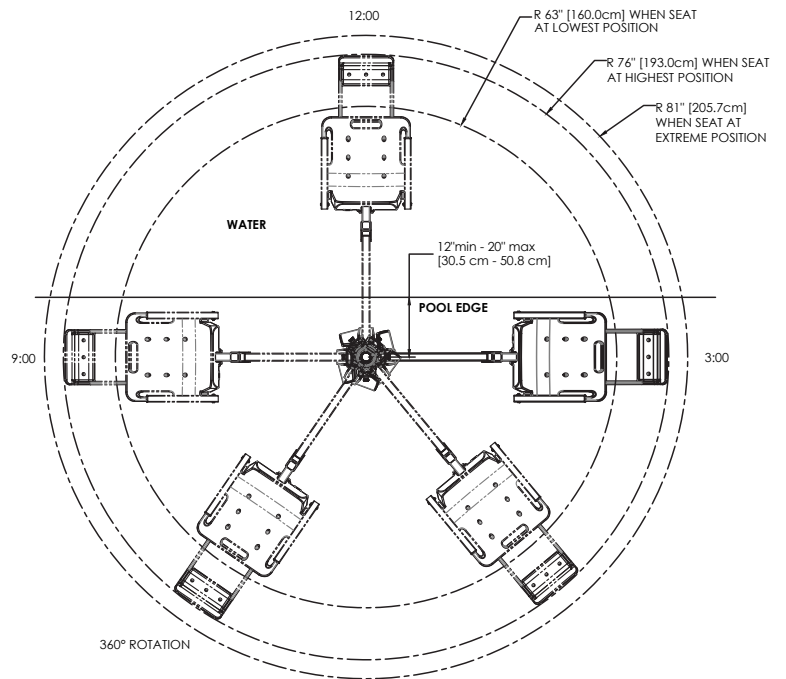


Parts and Accessories

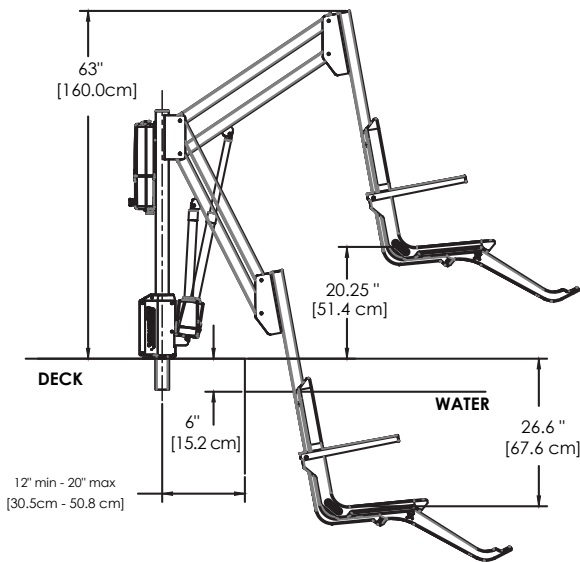
Part #	Description
1001495	LiftOperator Battery
170-3000A	Armrest Replacement (pair)
300-6600C	LiftLock2 Anchor Replacement Cap & Tool
300-6600L	LiftLock2 Anchor & Cap
900-1000	Seat Belt
900-6000	Stability Strap
910-1000S	LiftOperator Console Cover, Slate
910-1000T	LiftOperator Console Cover, Tan
970-5000T	Seat Saver Cover
AX9006	Cover, Taupe
AX9006-ST	Cover, Slate



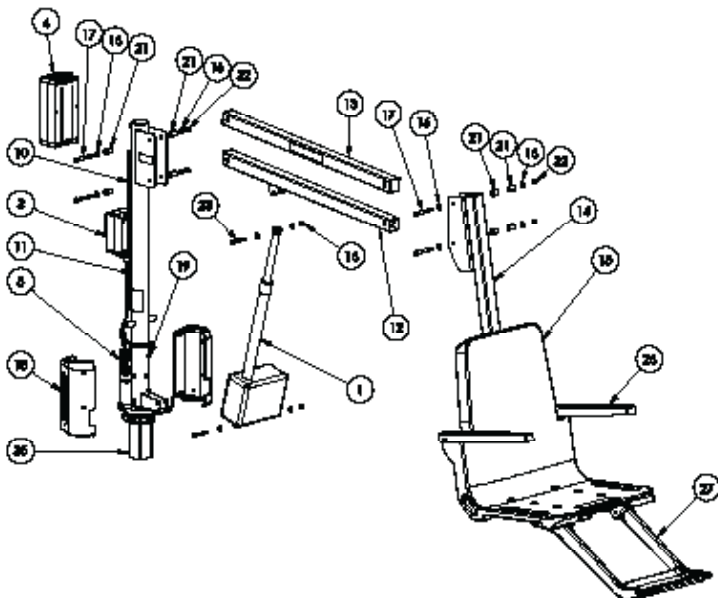
BACK VIEW



TOP VIEW - RANGE OF MOTION



SIDE VIEW



Key	Part No.	Description
1	100-5000A	LA34 Actuator
2	400-7000AX	4 Button Controller
3	120-1920	Actuator Cable Assembly (not shown)
4	1001495	Battery Pack
5	1001530	Battery Charger (not shown)
6	1001600	Hand Control (not shown)
7	160-8530	Hand Control Hanger (on back of seat)
8	120-2100A	24VDC Motor
9	120-1910	Motor Cable Assembly (not shown)
10	1001498	Battery Bracket
11	310-1000A	Mast Assembly
12	310-1200A	Actuator Arm Assembly
13	310-1300A	Support Arm Assembly
14	160-9520	Seat Frame Arm
15	160-9200	Seat Assembly, 1 PC w/ Standard Footrest
16	800-0313	Washer, Flat $\frac{3}{8}$ "
17	800-2027	Screw, Hex Hd - $\frac{3}{8}$ "-16 x 3.25 L
18	800-3000A	aXs2 Motor Enclosure Assembly
19	800-0330	Screw, Self-Threading #4-20 x $\frac{1}{2}$ L
20	900-1000	aXs Seat Belt Assembly (Black) (not shown)
21	800-0318	Bushing, Oilite
22	800-2000	$\frac{3}{8}$ "-16 Nyloc Nut
23	800-0147	Screw, $\frac{3}{8}$ "-16 x 2.5" L
25	AX3700-1	Spindle Housing Assembly
26	170-3000A	Arm Rest Assembly (Pair)
27	160-2300A	Footrest Kit (Gray)
28	800-0304	Screw, Hex Hd - $\frac{5}{16}$ "-18 x 4.0" L
29	800-0310	Washer, Flat - $\frac{5}{16}$ "
30	800-0202	Acorn Nut, $\frac{5}{16}$ "
31	910-1000T	Console Cover (not shown)