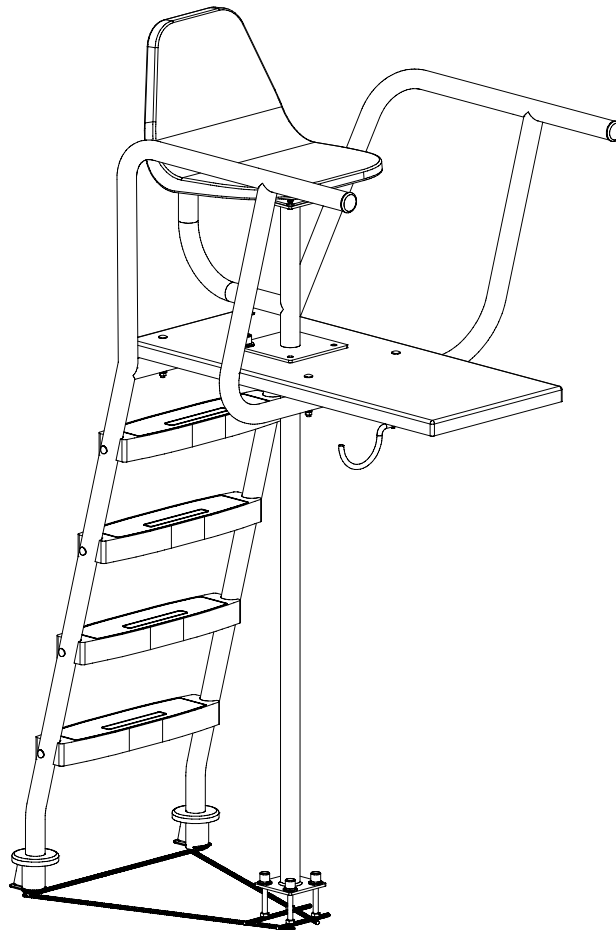


S.R.Smith **COMMERCIAL**

THE GUARDIAN™ LIFEGUARD STAND

ASSEMBLY AND INSTALLATION INSTRUCTIONS



**CORPORATE HEADQUARTERS
WESTERN SALES AND MANUFACTURING PLANT
P.O. Box 400 • 1017 SW Berg Parkway
Canby, Oregon 97013
(503) 266-2231 • Fax (503) 266-4334
www.srsmith.com**

INTRODUCTION

The Guardian™ Lifeguard Stand is designed for use on competitive or municipal pools. It provides a safe, unique look with a minimal amount of deck space. Proper and complete assembly, use, and maintenance are essential for proper operation and to reduce the risk of accident or injury.

****IMPORTANT****

Check entire box and inside all packing materials for parts. Before beginning assembly, read the instructions and identify parts using the figures and parts listed in this document. It is critical that all parts be carefully inspected by the installer prior to installation to ensure that no damage occurred in transit and that a damaged part is not used. Proper installation cannot be overstressed, as an improper installation voids S.R. Smith's warranty and may affect the safety of the user.

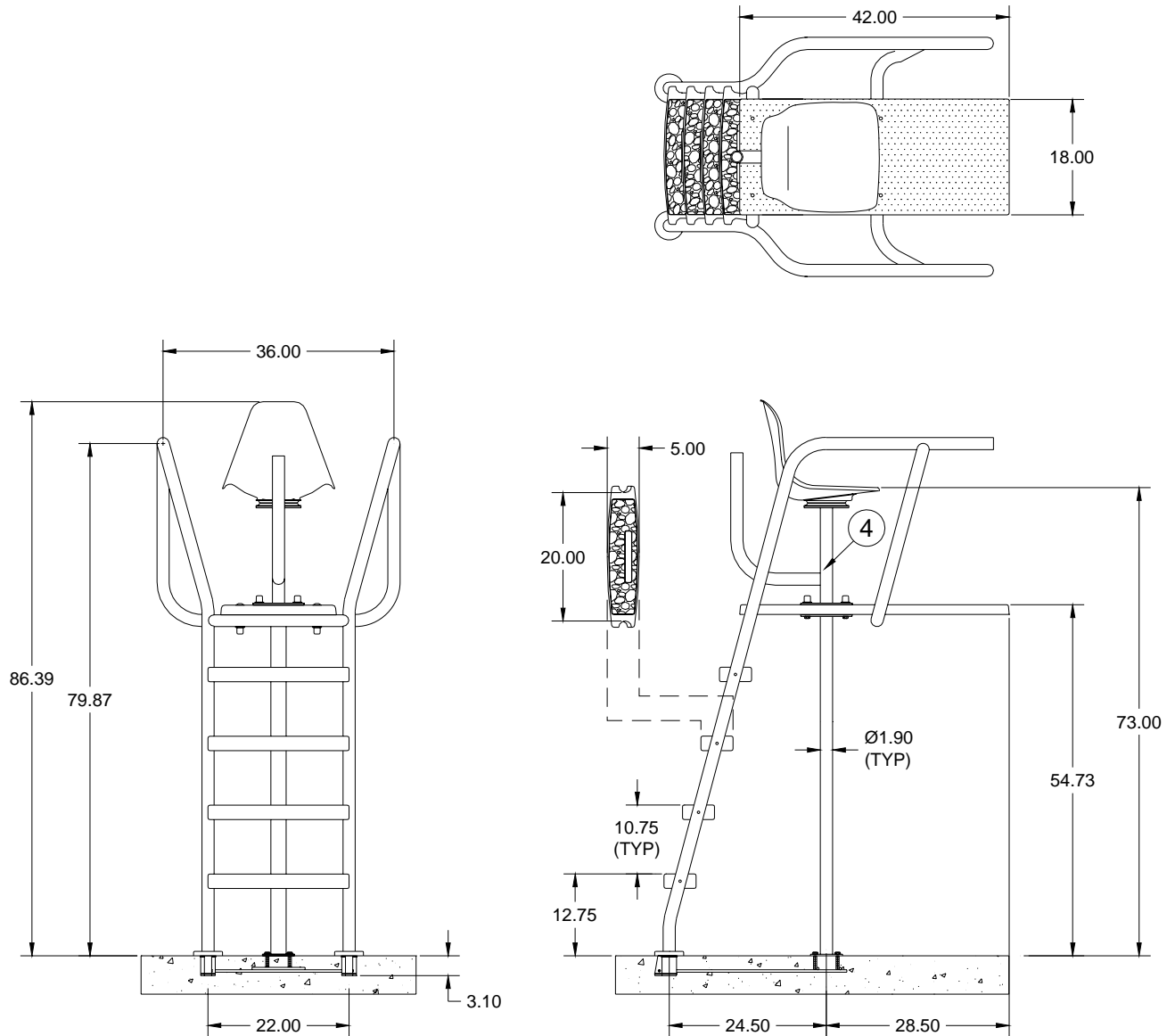


FIGURE 1

GUARDIAN™ LIFEGUARD STAND PARTS LIST

ITEM NO.	QTY.	PART NO.	DESCRIPTION
1	1	13-115	GUARDIAN LIFEGUARD RAIL FRAME
2	1	8-706	FOOTBOARD, 18" X 42", UMLS-101
3	1	13-116	GUARDIAN LIFEGUARD COLUMN
4	1	13-109	SWIVEL STAND WITH UMBRELLA HOLDER
5	2	8-104	PLASTIC RAIL END PLUG
6	4	5-124	BOLT, ½" UNC 3" LONG, SS
7	2	8-510	GASKET, 7-1/2" X 7-1/2"
8	4	05-616	PLASTIC WASHER, ½" X 1-1/2"
9	8	05-14-114	FLAT WASHER, ½", SS
10	8	05-14-115	LOCK WASHER, ½" SS
11	8	2022688	HEX NUT, ½" UNC, SS
12	8	05-618	NUT CAP, ½", WHITE PLASTIC
13	4	2350105	LADDER, TREAD, WHITE PLASTIC
14	4	2300300	CARRIAGE BOLT, 3/8" UNC x 4" LG, SS
15	4	5-151	LOCK WASHER, 3/8" UNC, SS
16	12	5-139	3/8" HEX NUT S/S
17	1	S2823-17	ANCHOR ASSEMBLY, UMLS-101
18	2	EP-100F	ESCUTCHEON, 4-1/2" O.D., SS
19	1	8-609	LIFEGUARD SEAT
20	1	2407030	SWIVEL, LIFEGUARD SEAT
21	8	5-149	LOCK WASHER, ¼", SS
22	8	5-137	HEX NUT, ¼", SS
23	4	2024189	SCREW, PAN HEAD, ¼" UNC X ¾" LG, SS
24	8	5-167	BOLT, CRADLE HD, 3/8" UNC X 3-1/4" LG, SS
25	8	5-145	WASHER, 3/8" , SS
26	1	2360000	LIFE PRESERVER HOOK
27	3	2306000	SCREW, #10 X 1-1/4"

ASSEMBLY INSTRUCTIONS

1. The Guardian™ Lifeguard Stand comes with all four steps pre-assembled as shown in **FIGURE 2**. Begin by locating the hardware package and locate the hardware shown in **FIGURE 3**.

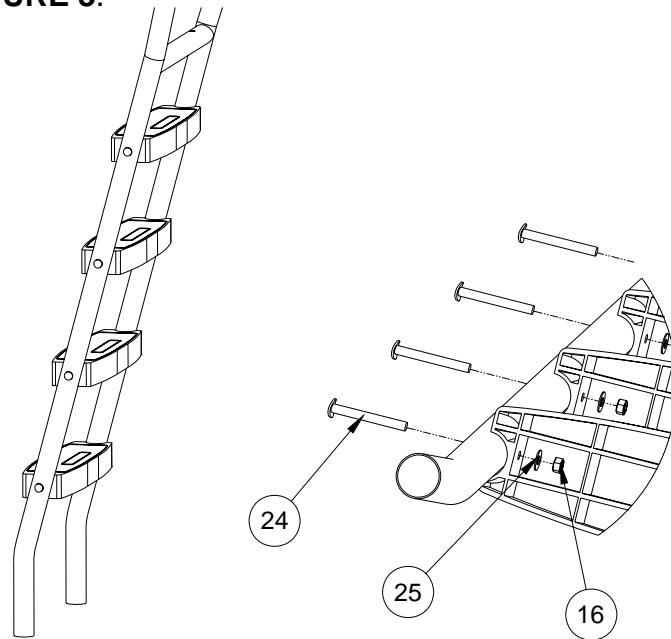


FIGURE 2

2. Place **Footboard**, (item 2) onto **Lifeguard Rail Frame** (item 1) and align holes to each other as shown in **FIGURE 3**. Place **Carriage bolts**, (item 14) through **Footboard** and Lifeguard rail Frame. Place **3/8" Lock Washers** (item 15) and **3/8" Hex Nuts** (item 16) onto carriage bolts and tighten. **DO NOT OVER TIGHTEN!**

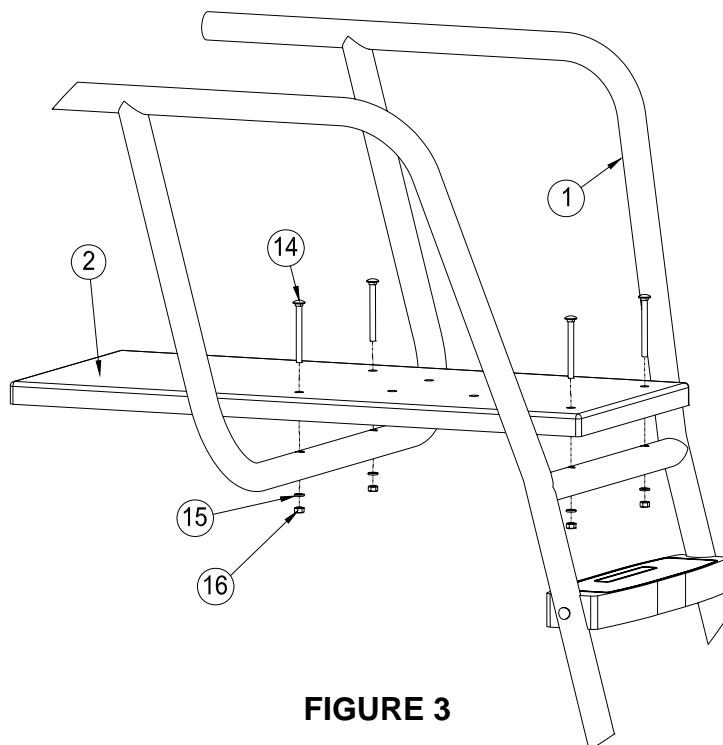


FIGURE 3

3. After **Anchor (item 17)** has been set in concrete, place **Lifeguard Column (item 3)** over anchor studs. Place $\frac{1}{2}$ " **Flat Washers (item 9)**, **Lock Washers (item 10)** and $\frac{1}{2}$ " **Hex Nuts (item 11)** over anchor studs and tighten. Place $\frac{1}{2}$ " **Nut Caps (item 12)** over hex nuts. See **FIGURE 4**.

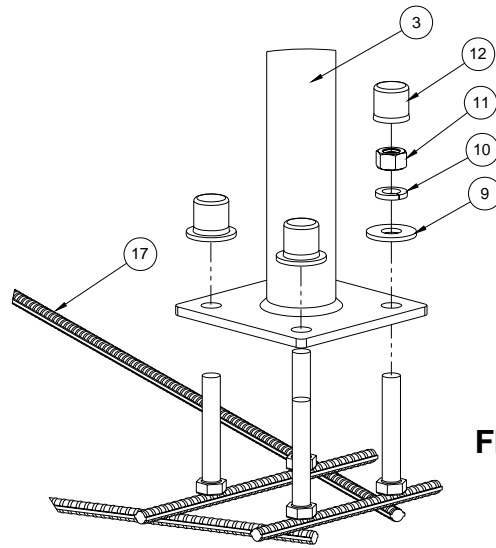


FIGURE 4

4. Slide **Escutcheons (item 18)** over frame lower tubes and place frame and footboard assembly into anchor sockets as shown in **FIGURE 5**. Place **Gasket (item 7)** on top of **Ultra Modern Lifeguard Column (item 3)**. **Footboard (item 2)** should rest on Gasket and holes from each should align. Tighten anchor socket wedge bolts. **DO NOT OVER TIGHTEN!**

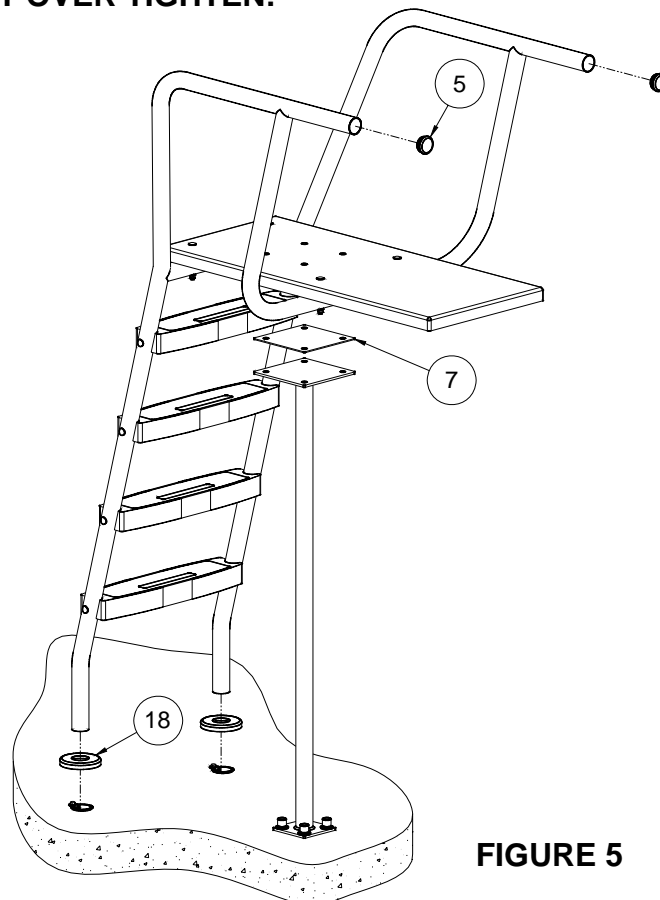


FIGURE 5

5. Place **Gasket (item 7)** onto footboard and align holes to each other. Place **Swivel Stand W/ Umbrella Holder (item 4)** onto gasket and align holes to each other. Place and hold **Bolt, 1/2" X 3" (item 6)** through column, gasket and footboard as shown. Place **Plastic Washer (item 8)**, **1/2" Flat Washer (item 9)**, **1/2" Lock Washer (item 10)** and **1/2" Nut (item 11)** over bolts and tighten. Place **Nut Cap (item 12)** over all bolt ends above Swivel Stand as shown in **FIGURE 6**. Install **Life Preserver Hook (item 26)** using three (3) **#10 X 1-1/4" Screws (item 27)**. Position on the Footboard to suit.

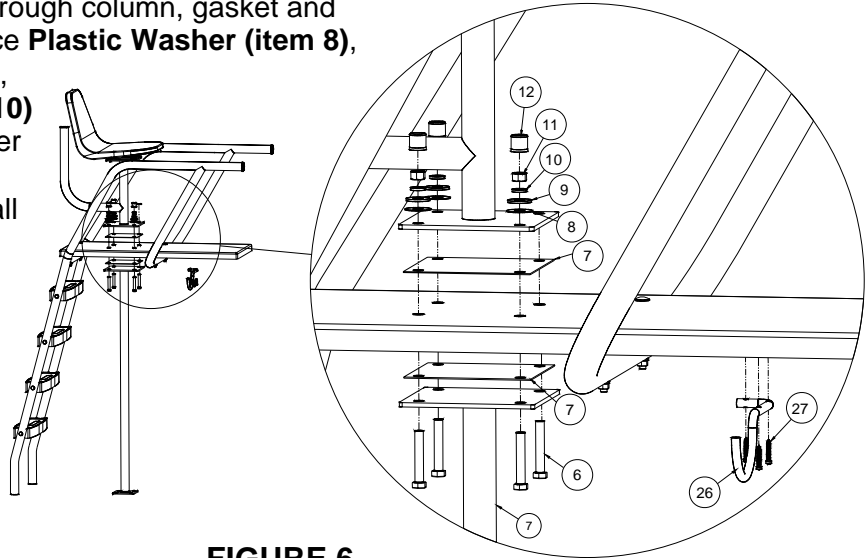


FIGURE 6

6. Place **Swivel (item 20)** onto Swivel Stand. Place four (4) **1/4" screws (item 23)** into slots on the lower plate of the swivel. Secure the swivel onto the swivel stand using four (4) **1/4" lock washers (item 21)** and four (4) **1/4" hex nuts (item 22)**. Tighten the nuts while centering the swivel onto the swivel stand. Place **Lifeguard Seat (item 19)** into the swivel, orienting as shown in **FIGURE 7**. Secure the swivel onto the swivel stand using the remaining **1/4" split washers (item 21)** and **1/4" hex nuts (item 22)** as shown in **FIGURE 7**. Tighten hex nuts.

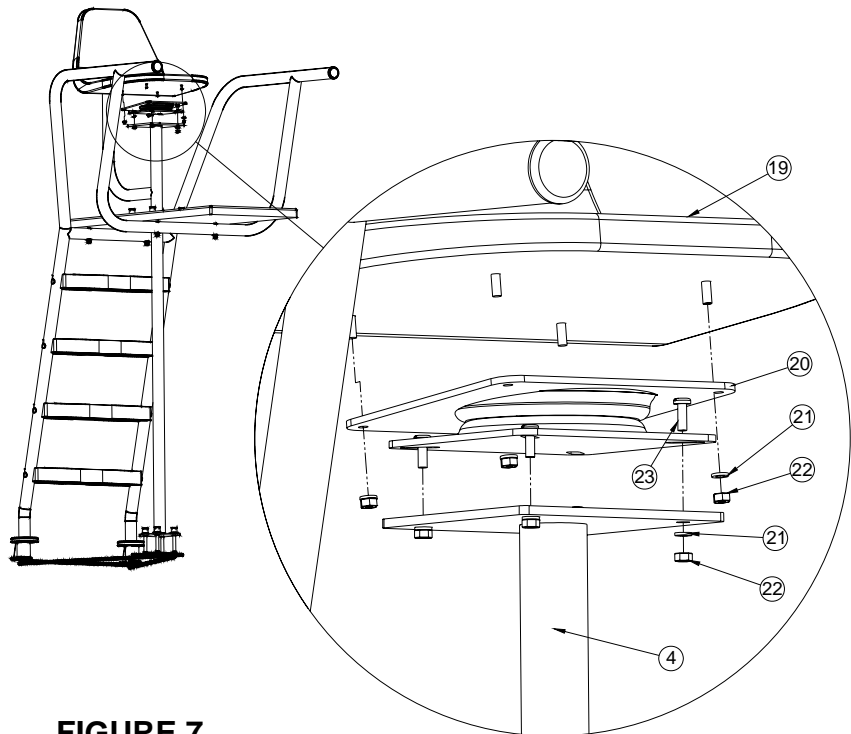


FIGURE 7

SAFETY & MAINTENANCE INSTRUCTIONS

- Do not dive or jump from any part of this lifeguard chair.
- Periodically inspect the Guardian™ Lifeguard Stand to assure there are no worn parts and that all hardware is properly tightened.
- All stainless steel parts require periodic maintenance. Polishing with a cotton cloth and a Windex-type product maintains the finish and restores luster.
- Use non-abrasive soap and water. Avoid harsh chemicals and disinfectants. Always read the label instructions on any cleaner carefully before applying it to a surface.