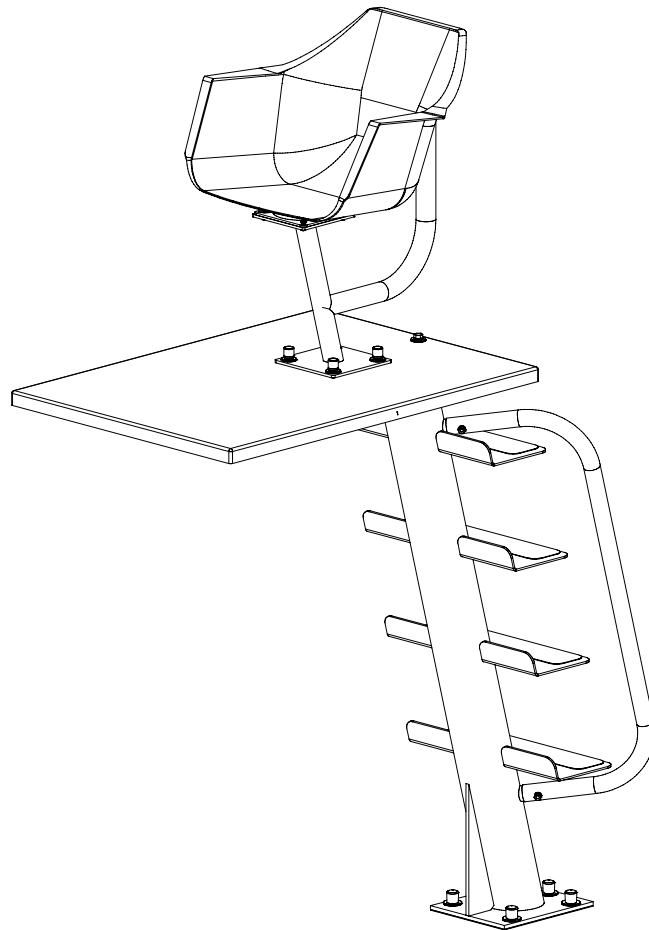




CANTILEVER LIFE GUARD CHAIR

ASSEMBLY AND INSTALLATION INSTRUCTIONS



**CORPORATE HEADQUARTERS
WESTERN SALES AND MANUFACTURING PLANT
P.O. Box 400 • 1017 SW Berg Parkway
Canby, Oregon 97013
(503) 266-2231 • Fax (503) 266-4334
www.srsmith.com**

INTRODUCTION

The Cantilever Lifeguard Chair is designed for use on competitive or municipal pools. It provides a safe, unique look with a minimal amount of deck space. Proper and complete assembly, use, and maintenance are essential for proper operation and to reduce the risk of accident or injury.

****IMPORTANT****

Check entire box and inside all packing materials for parts. Before beginning assembly, read the instructions and identify parts using the figures and parts listed in this document. It is critical that all parts be carefully inspected by the installer prior to installation to ensure that no damage occurred in transit and that a damaged part is not used. Proper installation cannot be overstressed, as an improper installation voids S.R. Smith's warranty and may affect the safety of the user.

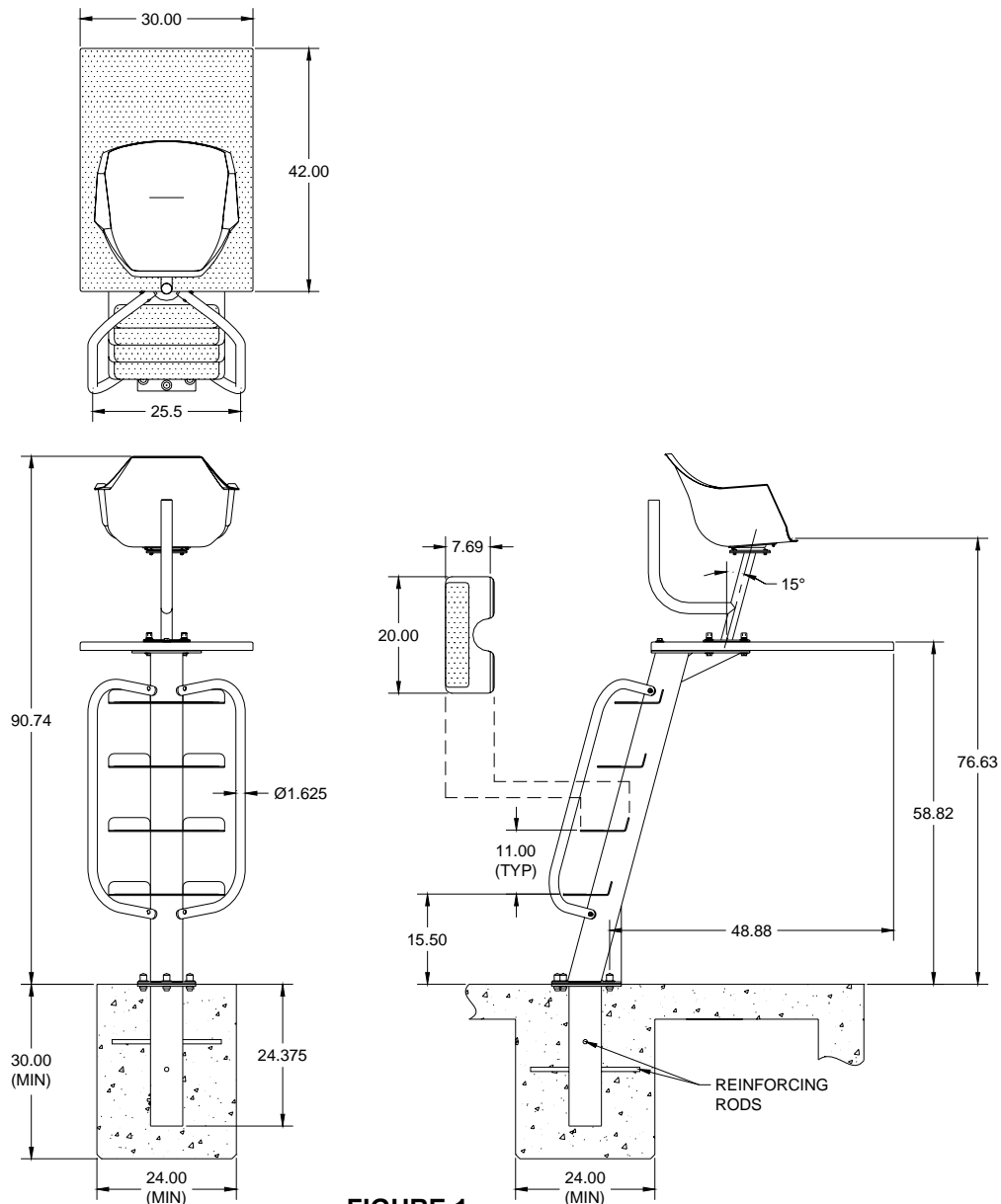


FIGURE 1

CANTILEVER LIFEGUARD CHAIR PARTS LIST

ITEM NO.	QTY.	PART NO.	DESCRIPTION
1	1	13-103	BASE ANCHOR ASSEMBLY, F/CAT-LG-100
2	1	13-101	POST ASSEMBLY, F/CAT-LG-100
3	1	13-124	15 DEG. SWIVEL STAND W/ UMBRELLA HOLDER
4	1	8-508	GASKET, 10" X 12" X 1/16"
5	1	8-509	GASKET, 12" X 17" X 1/16"
6	1	8-602	FOOTBOARD, 30" X 42", CAT-LG
7	1	8-510	GASKET, 7-1/2" X 7-1/2"
8	5	05-32-118	5/8" FLAT WASHER C/S ZINC PLATED
9	5	05-31-105	5/8" X 1-3/4" HEX HD CAP SCREW, ZN PL, STL
10	5	05-631	5/8" X 1-3/4" NYLON WASHER
11	5	05-32-117	5/8" LOCK WASHER C/S ZINC PLATED
12	5	05-600	5/8" NUT CAP WHITE RUBBER
13	2	20-300	CAT-LG-100 HANDRAIL, SS
14	4	5-196	3/8-16 X 2" GUSSET HEAD BOLT, SS
15	4	5-151	LOCK WASHER, 3/8", SPLIT, SS
16	4	5-156	3/8-16 ACORN NUT, 316 SS
17	4	5-125	HEX HEAD CAP SCREW, 1/2"-13 X 3-1/2", SS
18	9	05-616	1/2" X 1-1/2" ROUND NYLON WASHER
19	9	05-14-114	FLAT WASHER, 1/2", SS
20	4	05-14-116	1/2" HEX NUT S/S
21	5	05-14-115	LOCK WASHER, 1/2", SS
22	4	05-618	NUT CAP, 1/2", WHITE PLASTIC
23	1	5-124	BOLT, 1/2" UNC X 3.0 LG
24	1	2407030	SWIVEL, LIFEGUARD CHAIR
25	4	2024189	SCREW, 1/4" X 3/4" LG, PAN HD, SLOTTED, SS
26	8	5-137	HEX NUT, 1/4" UNC, SS
27	8	5-149	LOCK WASHER, 1/4", SPLIT, SS
28	1	8-610	LIFEGUARD ARM CHAIR, WHITE
29	4	6-621	PLASTIC NON-SKID, ADHESIVE BACKED

ASSEMBLY INSTRUCTIONS

1. Begin by setting the **Base Anchor Assembly (item 1)** in concrete per local building codes. See **FIGURE 1** for minimum dimensions of concrete surrounding the anchor. Ground Anchor using provided grounding anchor per local building codes. Reinforcing rods (rebar) are customer supplied, use #3 X 16" long minimum. Top of anchor is set flush to pool deck. Ensure that the five (5) **5/8" hex head bolts (item 9)** are installed and in place while the anchor is cast in place. After anchor has partially set in concrete, remove anchor bolts and set aside for use when mounting post assembly (see step 2). Do not begin assembly of the **Cantilever Lifeguard Chair** until concrete is fully cured.
2. Place **Gasket (item 4)** over anchor and orient to match hole pattern. Attach the **Post Assembly (item 2)** onto the base anchor assembly using five (5) **5/8" hex head bolts (item 9)**, five (5) **5/8" flat washers (item 8)**, five (5) **5/8" nylon washers (item 10)**, five (5) **5/8" lock washers (item 11)** and five (5) **5/8" nut caps (item 12)**. See **FIGURE 2**.

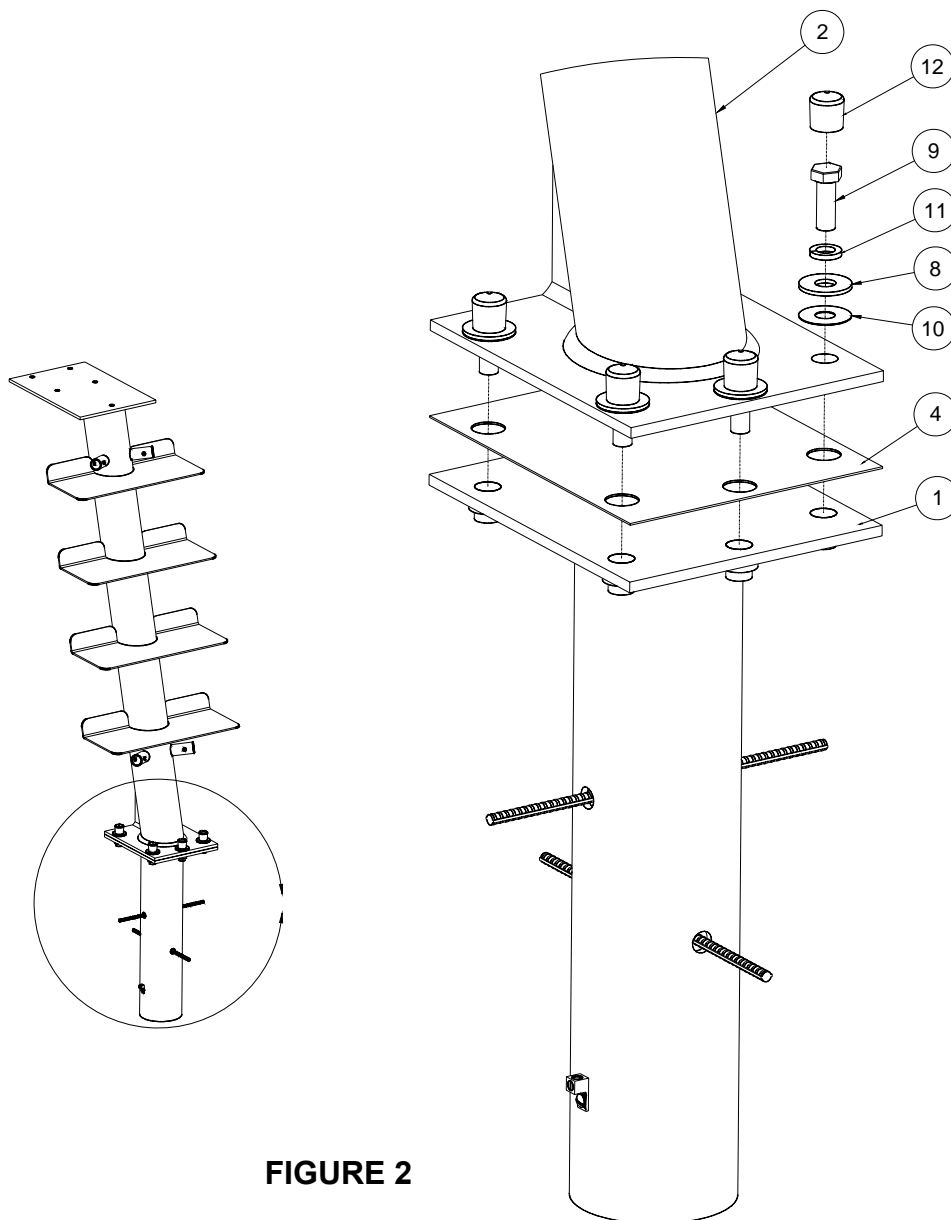


FIGURE 2

3. Locate **Plastic Non-Skid Tread (item 29)** and remove adhesive protective paper and place non-skid centered on steps as shown below, four (4) places.
4. Install **CAT-LG-100 HANDRAIL (item 13)** onto post assembly as shown below, **FIGURE 3**, two (2) places. Align holes and insert two (2) **3/8" X 2" Cradle Head Bolts (item 14)** into each handrail. Place **3/8" Lock Washer (item 15)** onto each cradle head bolt. Place **3/8" Acorn Nut (item 16)** onto cradle head bolt after lock washer. Tighten all acorn nuts being careful not to crush tubes by over-tightening.

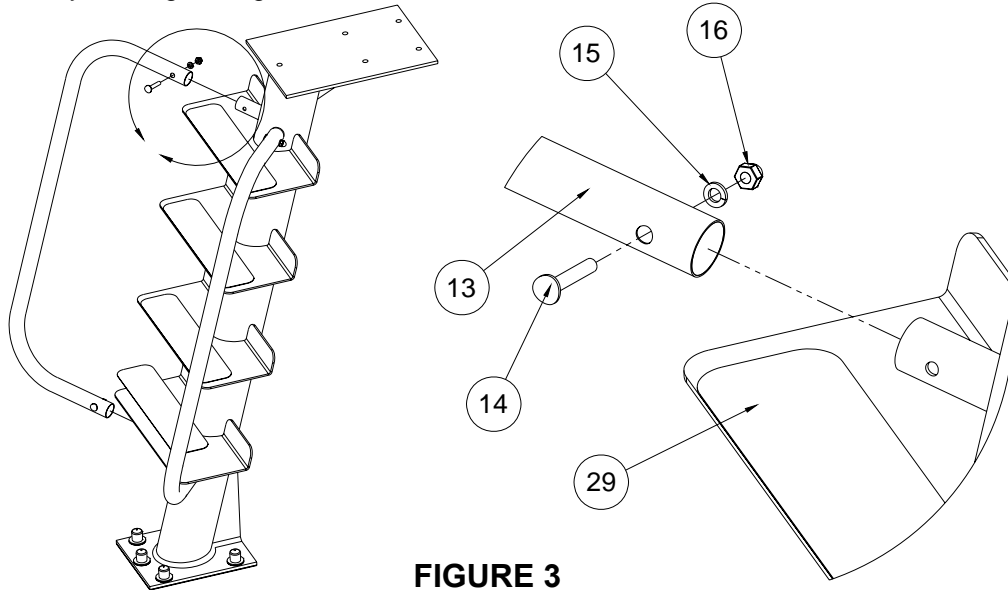


FIGURE 3

5. Locate **Gasket (item 5)** and place on top of post assembly, orienting hole patterns to match. Place **Footboard (item 6)** on top of gasket and orient holes to align. Place **Nylon Flat Washer (item 18)** on top of footboard located over hole. See **FIGURE 4** below. Place **1/2" Flat Washer (item 19)** and **1/2" Lock Washer (item 21)** over nylon flat washer. Secure gasket, footboard and washers with **1/2" X 3" Hex Bolt (item 23)**. Do not tighten hex bolt at this time.

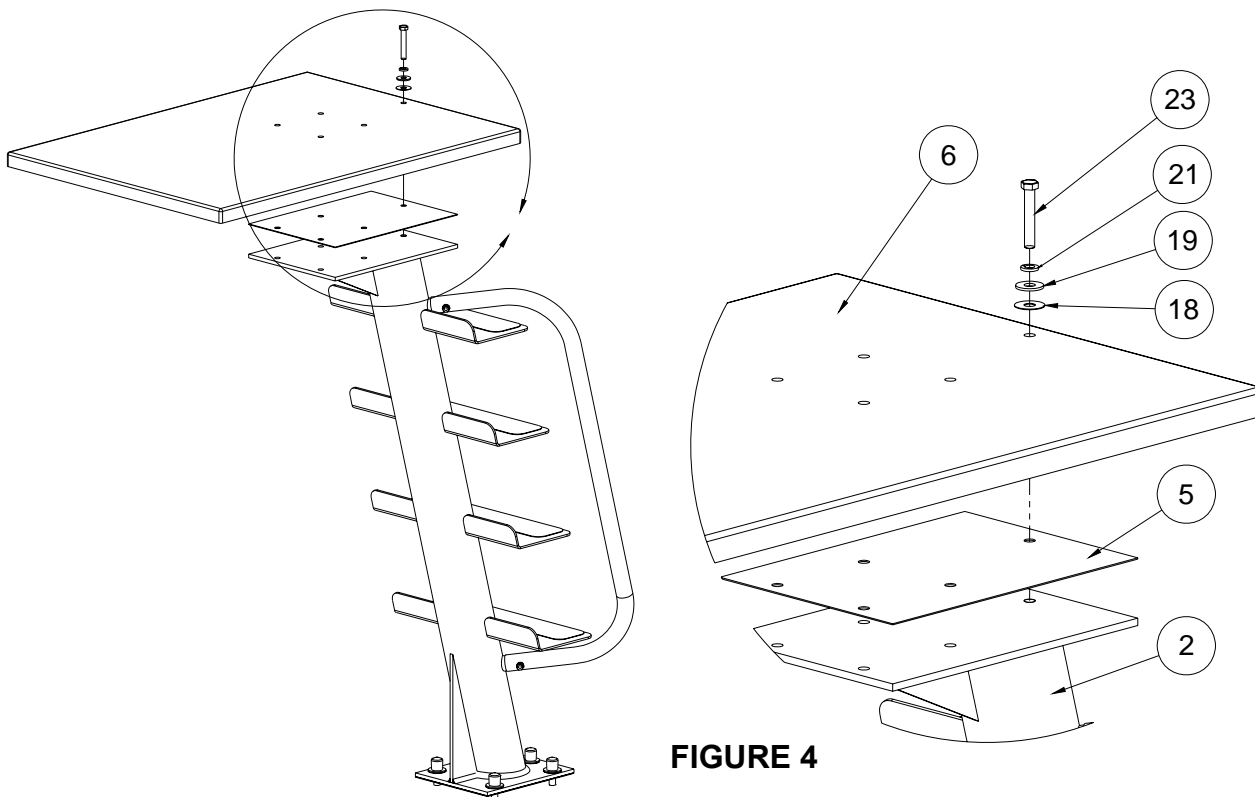


FIGURE 4

- Place **Lifeguard Chair Swivel (item 24)** on top of **15 Deg. Swivel Stand W/ Umbrella Holder (item 3)**, orienting as shown in **FIGURE 5**. Place **1/4" Screw (item 25)** through swivel and swivel stand four (4) places. Place **1/4" Lock Washer (item 27)** over screw on the underside of swivel stand four (4) places. Place **1/4" Hex Nut (item 26)** onto screws, over lock washers, four (4) places, and tighten. Place **Lifeguard Chair (item 28)** on top of swivel, placing threaded studs in lifeguard chair through holes in the swivel. Orient as shown in **FIGURE 5**. Install **1/4" Lock Washer (item 27)** four (4) places over studs and place **1/4" Hex Nut (item 26)** over lock washers and studs four (4) places and tighten.

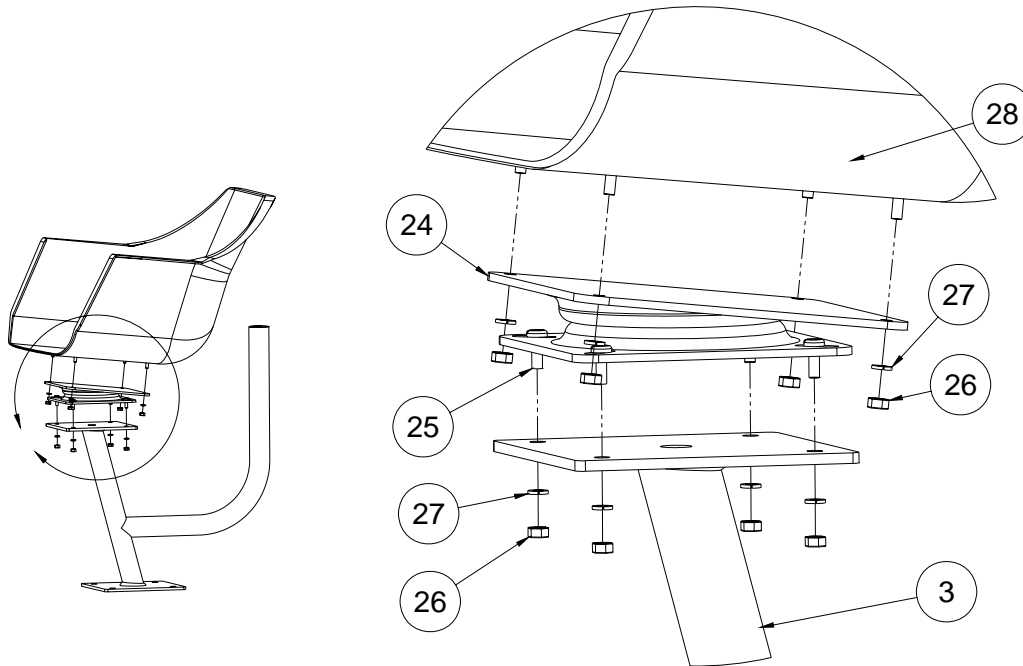


FIGURE 5

- Place **Gasket (item 7)** on **Footboard (item 6)** and align hole patterns. Place **1/2" Flat Washer (item 19)** and **1/2" Nylon Washer (item 18)** onto **1/2" Hex Head Cap Screw (item 17)** four (4) places. Place hex head cap screws, 1/2" flat washers and 1/2" nylon washers up through **Post Assembly (item 2)**, footboard, gasket and 15 deg. swivel stand as shown in **FIGURE 6**. Place **1/2" Nylon Washers (item 18)**, **1/2" Flat Washers (item 19)**, **1/2" Lock Washers (item 21)** and **1/2" Hex Nuts (item 26)** onto the ends of the hex head cap screws. Tighten until the lock washers fully compress. Place **1/2" Nut Cap (item 22)** over the hex nuts four (4) places.
- Check to assure all steps have been completed and fully tighten all hardware.

1

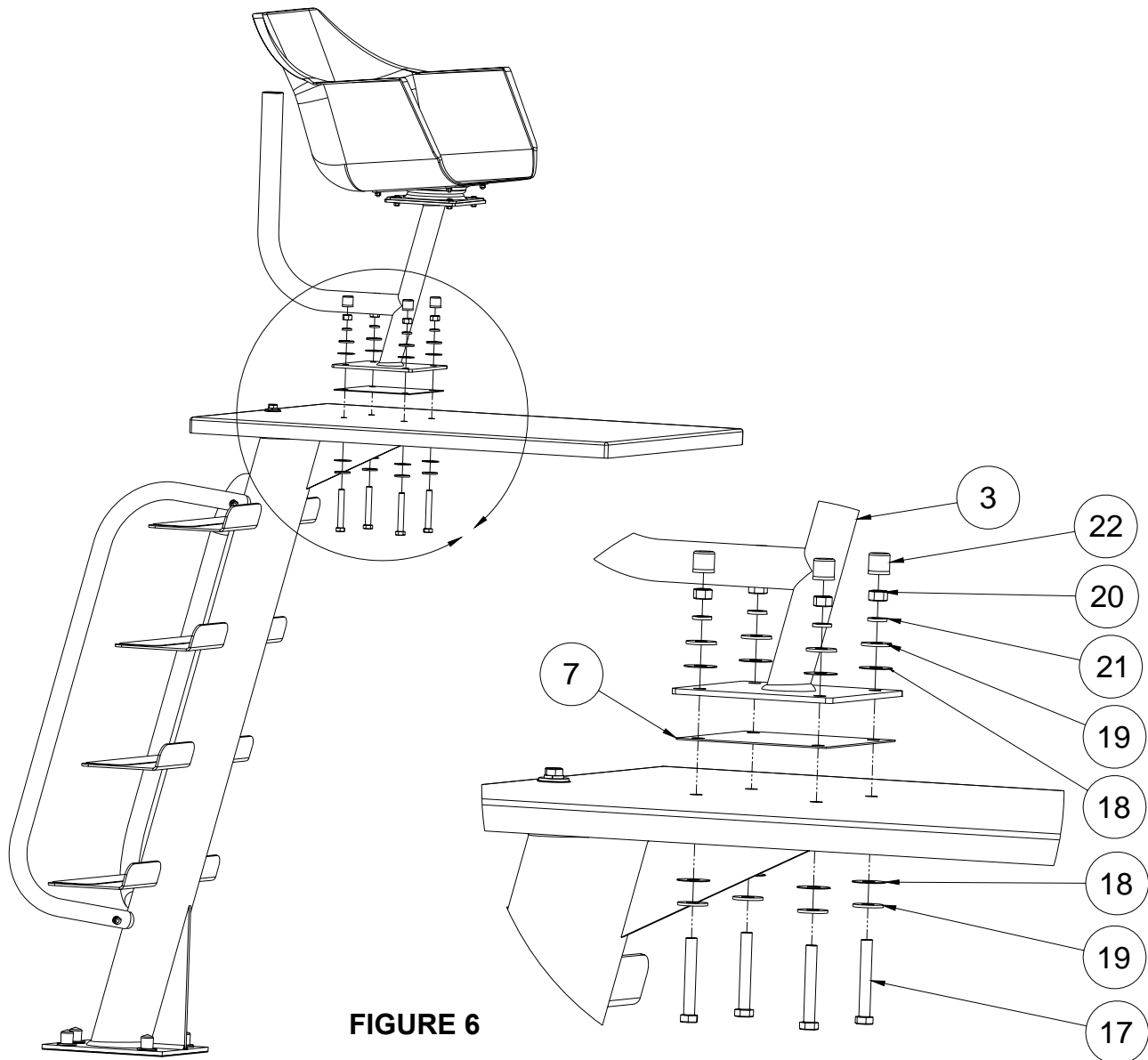


FIGURE 6

SAFETY & MAINTENANCE INSTRUCTIONS

- Do not dive or jump from any part of this guard chair.
- Periodically inspect the Outlook I to assure there are no worn parts and that all hardware is properly tightened.
- All stainless steel parts require periodic maintenance. Polishing with a cotton cloth and a Windex-type product maintains the finish and restores luster.
- Use non-abrasive soap and water. Avoid harsh chemicals and disinfectants.
- Always read the label instructions on any cleaner carefully before applying it to a surface.