

# Typhoon®



Offers all the fun of its big brother, the TurboTwister, yet in a smaller package for more limited deck space.

- 7'4" in height (6'5 1/2" to seat)
- Available with a right or left curved flume
- Accommodates sliders up to 275 lbs/124kg
- Sturdy rotomolded construction – for strength and durability
- Enclosed ladder and molded handrail design for maximum safety
- Designed for quick and easy assembly
- 20 gpm max. water delivery system can be plumbed through the pool's return line or connected to a garden hose
- Simple deck mounted installation
- Intended for in-ground residential swimming pools only

## Slide Color



SANDSTONE\*



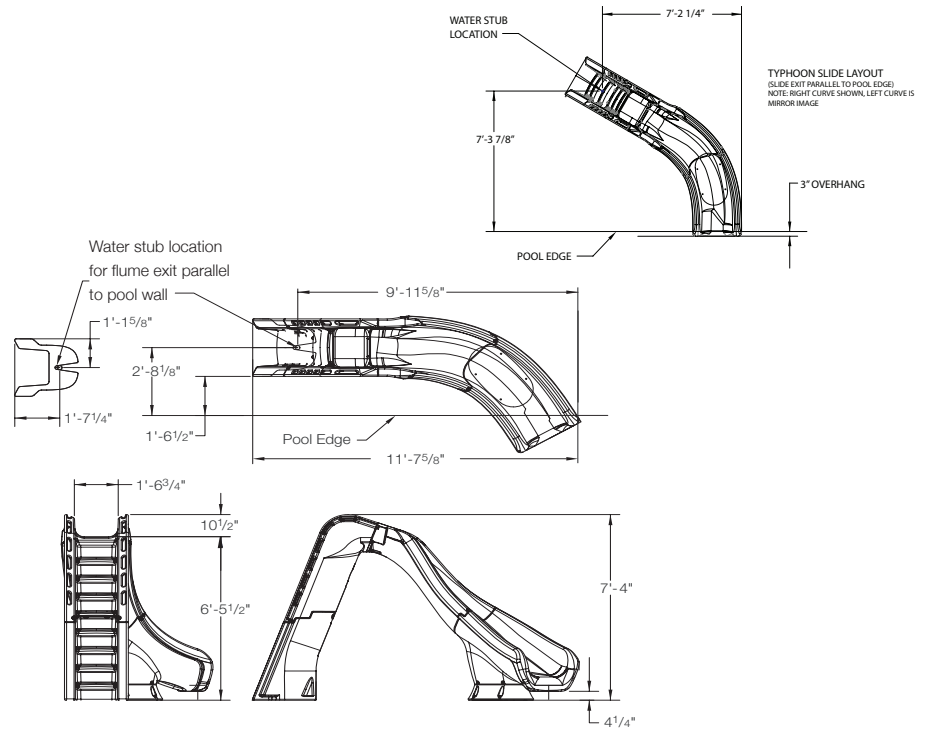
GRAY GRANITE\*

Due to printing technology, actual color may differ.

Adult supervision required at all times when children are using this slide.

Model No.	Description	Shipping			
		Weight	Length	Width	Height
670-209-58123	Sandstone, Right Curve	255 lbs 116kg	55" 140cm	31" 79cm	90" 229cm
670-209-58223	Sandstone, Left Curve				
670-209-58124	Gray Granite*, Right Curve				
670-209-58224	Gray Granite*, Left Curve				

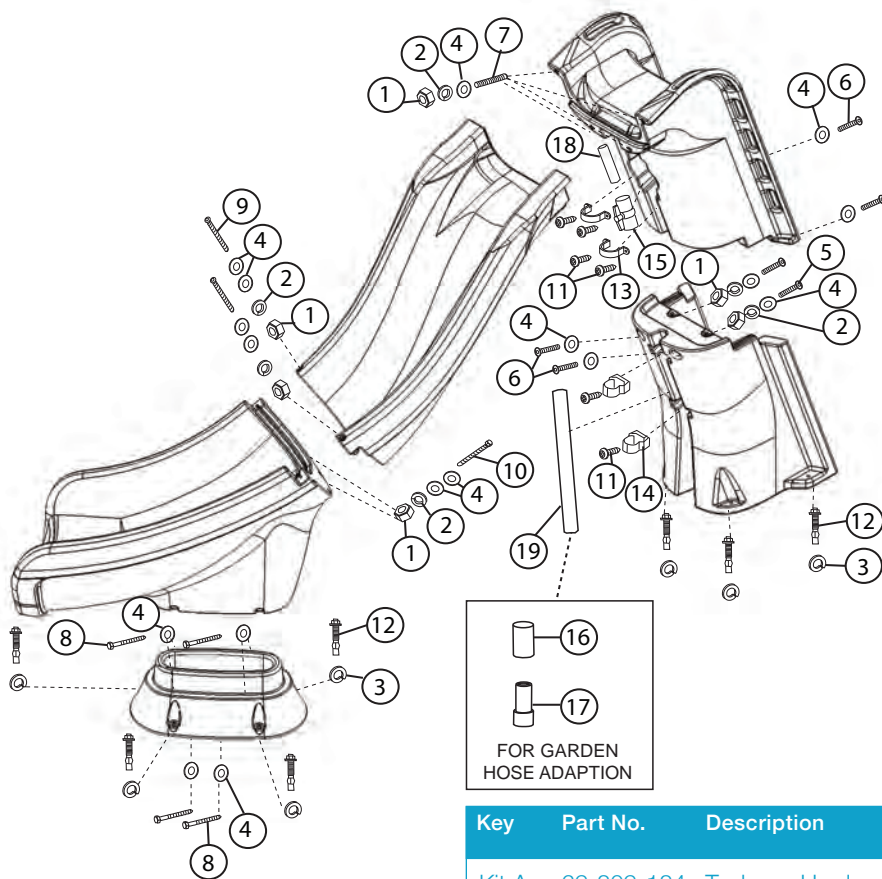
\* Gray Granite and Sandstone slides are not an exact match with Gray Granite or Sandstone diving boards & stands due to differences in material. Please consult your sales representative for more details.



## Flume Details



All S.R.Smith, LLC swimming pool slides fully comply with Consumer Products Safety Commission (CPSC) mandatory safety Standard for Swimming Pool Slides (16 CFR 1207) and are certified by independent third party testing labs. The installer or end-user is responsible for complying with local building codes for the location, installation, construction or assembly of these slides. S.R.Smith, LLC makes no representations that the location, installation, construction or assembly of its slides meet local building codes.



Key	Part No.	Description	Kit A	Kit B	Kit C
Kit A	69-209-124	Typhoon Hardware Carton	•		
Kit B	69-209-123	Typhoon Hardware Kit		•	
Kit C	69-209-122	Typhoon Plumbing Kit			•
Kit D	69-209-121	Gasket Kit			
Kit E	69-209-120	Paver Kit			
1		3/8" Hex Nut	•	•	
2		3/8" Lock Washer	•	•	
3		1/2" Lock Washer	•	•	
4		3/8" Flat Washer	•	•	
5		3/8" x 2 3/4" Carriage Bolt	•	•	
6		3/8" x 3" Button Head Cap Screw	•	•	
7		3/8" x 2 1/2" Stud	•	•	
8		3/8" x 3 1/2" Lag Screw	•	•	
9		3/8" x 5" Button Head Cap Screw	•	•	
10		3/8" x 3 1/2" Hex Head Cap Screw	•	•	
11		#14 x 1" Pan Head Cap Screw	•	•	
12		1/2" x 5" Anchor Stud	•	•	
13		1 1/2" PVC Pipe Strap	•		•
14		1" Pipe Clamp	•		•
15		1 1/2" Ball Valve	•		•
16		1" Coupling	•		•
17		Garden Hose Adapter	•		•
18	05-786-1	1" PVC Flex Hose, 16" Long			
19	05-786-2	1" PVC Flex Hose, 64" Long			
	8-545A	Ladder/Runway Gasket	•		•
	8-532	Runway Gasket (2.7' required. Sold by foot)	•		