



FreeStyle on D-Lux



HipHop on D-Lux



Board + Stand Colors



RADIANT WHITE



SANDSTONE



GRAY GRANITE*

Due to printing technology actual color may differ.

Due to differences in material and textures, Gray Granite Diving Boards and Stands are not an exact color match to Gray Granite Slides. Please consult your S.R.Smith sales representative for more details.

All installations must comply with all applicable local and national codes and installation must be completed in accordance with S.R.Smith installation instructions.

Compatible with:



FreeStyle Board



HipHop Board

D-Lux Stand

Designed specifically to be paired with the uniquely shaped HipHop & FreeStyle boards.

- Composite material for increased strength and stability
- Easily installs on existing 6' Flyte-Deck jigs
- Can be installed Type I — Type V pools
- The FreeStyle is twice the width of traditional diving boards at widest point
- Boards have matching, SureFoot non-slip tread for maximum safety
- Stainless steel hardware for added corrosion resistance

FreeStyle Board on D-Lux Stand

Model No.	Color	Shipping (2 boxes)			
		Weight	Length	Width	Height
68-209-422	Radiant White	55 lbs 25kg	82" 208cm	39" 99cm	3.5" 9cm
68-209-4223	Sandstone				
68-209-4224	Gray Granite	36 lbs 16kg	27.5" 70cm	47" 119cm	12.5" 32cm

HipHop Board on D-Lux Stand

Model No.	Color	Shipping (2 boxes)			
		Weight	Length	Width	Height
68-209-412	Radiant White	55 lbs 3kg	87" 221cm	33" 84cm	3.5" 9cm
68-209-4123	Sandstone				
68-209-4124	Gray Granite	36 lbs 16kg	27.5" 70cm	47" 119cm	12.5" 32cm

D-Lux Stand only

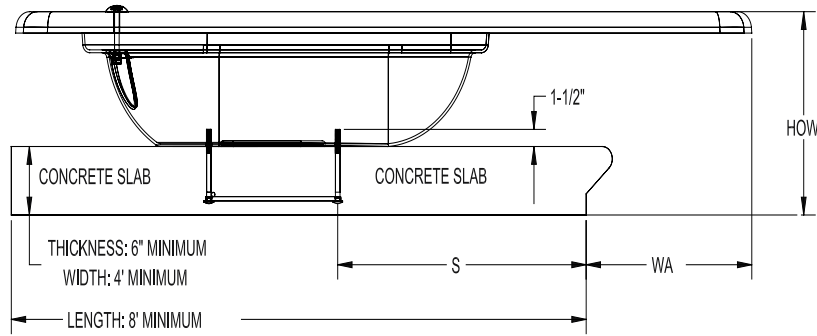
Model No.	Color	Shipping			
		Weight	Length	Width	Height
70-209-42	Radiant White				
70-209-423	Sandstone	36 lbs 16kg	27.5" 70cm	47" 119cm	12.5" 32cm
70-209-424	Gray Granite				

Parts & Hardware:

- 67-209-925-20 Mounting Bolts, gray
- 75-209-5876-SS Epoxy Kit with (3) 1/2" bolts

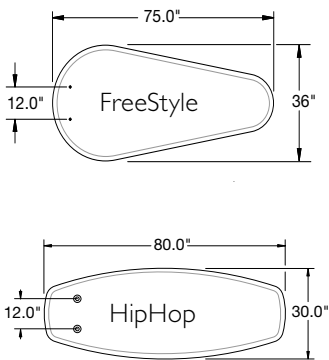
DECK END

WATER END



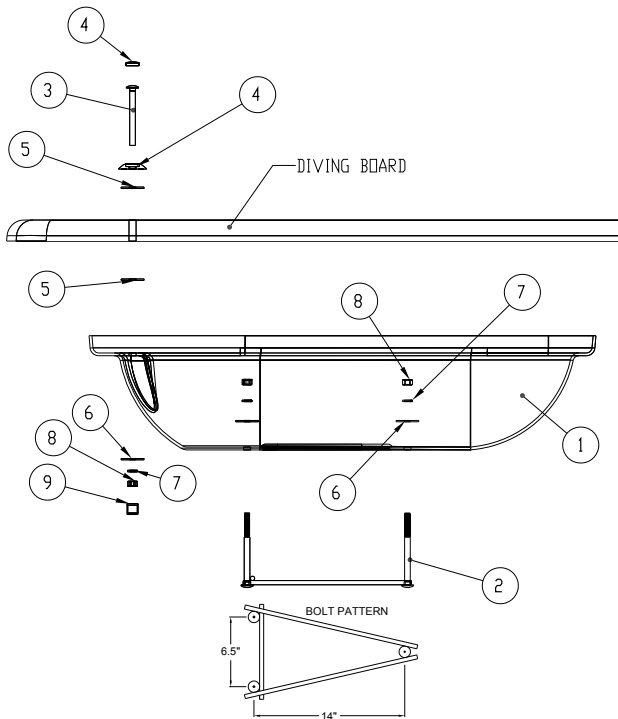
Notice:
S.R.Smith cannot guarantee customer's concrete strength or thickness

Installation Dimensions



Diving Board Size	ANSI/NSPI-5 Pool Type	Distance for setting front bolt of jig from water's edge (S)**	Minimum overhang (WA)*	Maximum height of board above water (HOW)
6'	I	27"	18"	20"
	II	27"	18"	20"
	III	21"	24"	26"
	IV	15"	30"	30"
	V	9"***	36"	40"

*S and WA dimensions are valid only in conjunction with minimum depth at point A
**When coping is used do not set front bolts of jig closer than 3" from the back edge of the coping



Key	Part No.	Description	Kit A	Kit B
A	71-209-712-SS	D-Lux Stand Parts Kit		
B	67-209-925	HipHop/FreeStyle Mounting Kit	White	
	67-209-925-10	HipHop/FreeStyle Mounting Kit	Taupe	
	67-209-925-20	HipHop/FreeStyle Mounting Kit	Gray	
1	70-209-42	D-Lux Stand, White	•	
	70-209-423	D-Lux Stand, Sandstone	•	
	70-209-424	D-Lux Stand, Gray Granite	•	
2	71-209-700-SS	6' Flyte-Deck II Jig w/ 6" bolts	•	
	71-209-701-SS	6' Flyte-Deck II Jig w/ 9" bolts	•	
	71-209-705-SS	6' Flyte-Deck II Jig w/ 10" bolts	•	
3	05-31-174	1/2-13 x 5" Carriage Bolt, SS		•
4	05-632	Plastic Recessed Mounting Washer		•
5	05-619	1/2" x 2" Rubber Mounting Washer		•
6	05-14-133	1/2" x 2" Flat Washer, SS	•	•
7	05-14-115	1/2" Lock Washer, SS	•	•
8	05-14-116	1/2" Hex Nut, SS	•	•
9	05-618	1/2" Plastic Nut Cap		•