

Flyte-Deck II Stand



The Flyte-Deck stand's sleek appearance and sturdy construction make it one of our best selling models.

- Made of durable, scratch-resistant acrylic reinforced with fiberglass
- 6', 8' or 10' lengths – find the right size for your diving pool!
- Available in a variety of colors to match your poolscapes and backyard décor!
- Stainless steel hardware for added corrosion resistance
- Board has a matching, non-slip sanded tread, white.

Flyte-Deck II Stand with Fibre-Dive Board

Board + Stand Colors



Due to printing technology actual color may differ.

Due to differences in material and textures, Gray Granite Diving Boards and Stands are not an exact color match to Gray Granite Slides. Please consult your S.R.Smith sales representative for more details.

All installations must comply with all applicable local and national codes and installation must be completed in accordance with S.R.Smith installation instructions.

Model No.	Size	Color	Shipping (2 boxes)			
			Weight	Length	Width	Height
68-209-7362	6'	Radiant White				
68-210-73610	6'	Taupe	36 lbs 16kg	74" 188cm	20" 51cm	3" 8cm
68-210-73620	6'	Pewter Gray				
68-210-73623	6'	Pebble	27 lbs 12kg	37" 94cm	18" 46cm	12" 30cm
68-210-73624	6'	Gray Granite				
68-209-7382	8'	Radiant White				
68-210-73810	8'	Taupe	59 lbs 27kg	98" 249cm	20" 51cm	3" 8cm
68-210-73820	8'	Pewter Gray				
68-210-73823	8'	Pebble	32 lbs 14kg	47" 119cm	19" 48cm	12" 30cm
68-210-73824	8'	Gray Granite				
68-209-7402	10'	Radiant White	75 lbs 34kg	122" 310cm	20" 51cm	3" 8cm
68-210-74020	10'	Pewter Gray	36 lbs 16kg	57" 145cm	19" 48cm	12" 30cm

Note:

- Board, and stand are matching in color
- For matching tread, add "T" behind part number

Compatible with:



Fibre-Dive Board



Frontier III Board



FreeStyle Board



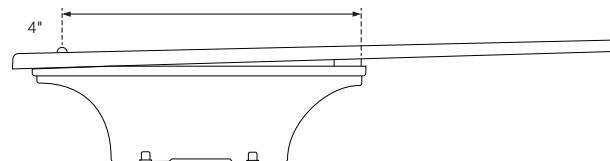
HipHop Board

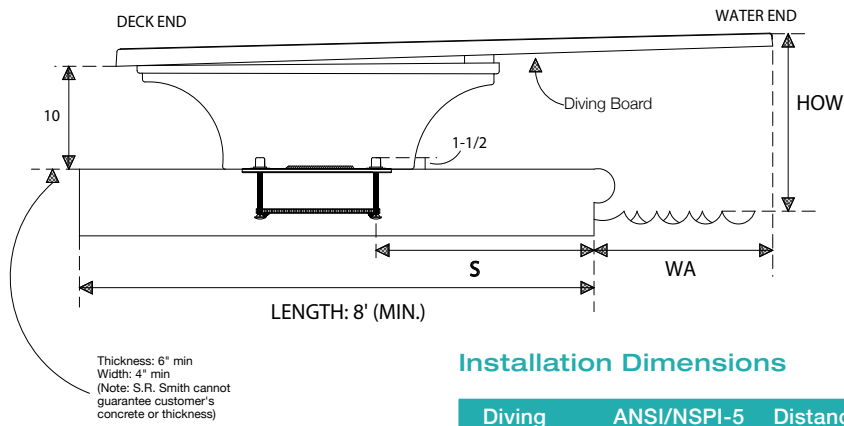
Bolt Length to Fulcrum Length

6' board = 32"

8' board = 42"

10' board = 52"



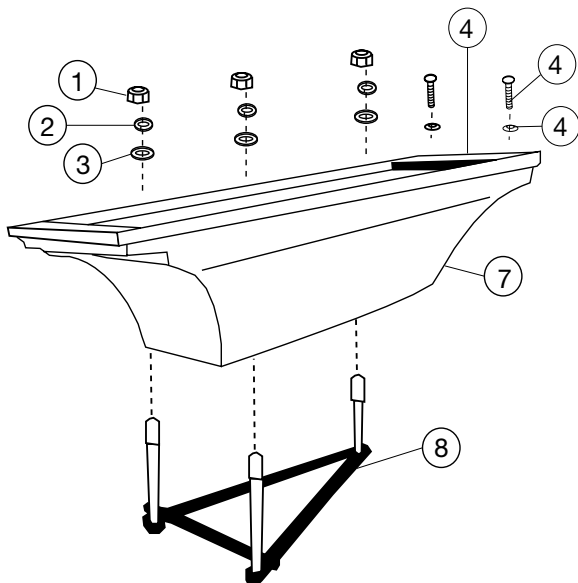


Installation Dimensions

Diving Board Size	ANSI/NSPI-5 Pool Type	Distance for setting front bolt of jig from water's edge (S)**	Minimum overhang (WA)*	Maximum height of board above water (HOW)
6'	I	27"	18"	20"
	II	27"	18"	20"
	III	21"	24"	26"
	IV	15"	30"	30"
	V	9" **	36"	40"
8'	II	41"	18"	20"
	III	35"	24"	26"
	IV	29"	30"	30"
	V	23"	36"	40"
10'	III	50"	24"	26"
	IV	44"	30"	30"
	V	38"	36"	40"

Notes:

- *S and WA dimensions are valid only in conjunction with minimum depth at point A
- **When coping is used do not set front bolts of jig closer than 3" from the back edge of the coping



Key	Part No.	Description	Kit A
A	71-209-710-SS	Flyte-Deck Stand Bolt Kit*	
1	05-14-116	1/2" Hex Nut	•
2	05-14-115	1/2" Lock Washer	•
3	05-14-133	1/2" x 2" Flat Washer	•
4	71-209-545	Flyte-Deck Fulcrum Kit	
7	70-209-7362	6' Flyte-Deck Stand, White, jig included	
	70-209-7382	8' Flyte-Deck Stand, White, jig included	
	70-209-7402	10' Flyte-Deck Stand, White, jig included	
	70-209-7362A	6' Flyte-Deck Stand, White, jig not included	
	70-209-7382A	8' Flyte-Deck Stand, White, jig not included	
70-209-7402A	10' Flyte-Deck Stand, White, jig not included		
8	71-209-700-SS	6' Jig w/ 6" bolts	
	71-209-701-SS	6' Jig w/ 9" bolts	
	71-209-705-SS	6' Jig w/ 10" bolts	
	71-209-704-SS	8' Jig w/ 6" bolts	
	71-209-706-SS	8' Jig w/ 9" bolts	
	71-209-707-SS	8' Jig w/ 10" bolts	
	71-209-703-SS	10' Jig w/ 6" bolts	
	71-209-708-SS	10' Jig w/ 9" bolts	
	71-209-709-SS	10' Jig w/ 10" bolts	

Note:

- 10' comes with 71-209-711-SS