

Figure 4

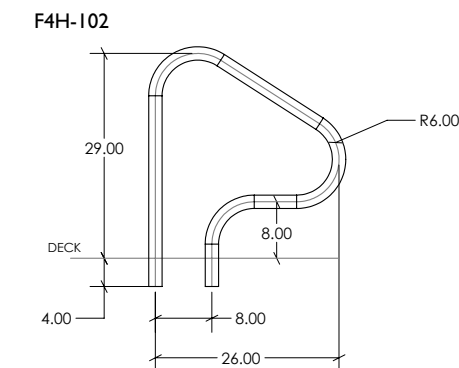
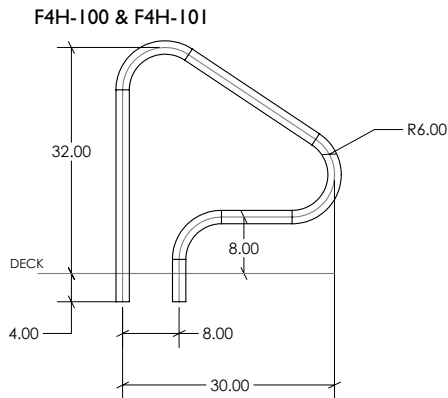


- Tubing: 1.50" or 1.90" OD
- Wall Thickness*: .049", .065", .109" or .145"
- Stainless Steel: 304 or 316L Marine Grade** (add -MG to part number)
- Bends: 6" Radius
- Options: Powder-coating and SealedSteel Salt Friendly available
- Recommended Anchors: AS-200B for 1.50" and AS-100B for 1.90" (order separately)
- Recommended Escutcheons: EP-150 for 1.50" and EP-100F for 1.90" (order separately)
- Sold as pairs, unless otherwise noted

* Minimum rail thickness is .065 for Commercial

** Minimum requirement for salt pools is 316L Marine Grade

Figure 4 (1.90" OD)



Model No.	Description	Shipping			
		Weight	Length	Width	Height
F4H-100	30" Figure 4, .065" wall, pair	24 lbs 11kg	39" 99cm	32" 81cm	4" 10cm
F4H-101	30" Figure 4, .049" wall, pair	19 lbs 9kg	39" 99cm	32" 81cm	4" 10cm
F4H-102	26" Figure 4, .049" wall, pair	18 lbs 8kg	39" 99cm	32" 81cm	4" 10cm
F4H-102S	26" Figure 4, .049" wall, single	12 lbs 5kg	39" 99cm	32" 81cm	4" 10cm
10179	30" Figure 4, .065" wall, pair	24 lbs 10.8kg	39" 99cm	32" 81cm	4" 10cm
10180	30" Figure 4, .109" wall, pair	38 lbs 17kg	39" 99cm	32" 81cm	4" 10cm
10181	30" Figure 4, .145" wall, pair	48 lbs 22kg	39" 99cm	32" 81cm	4" 10cm

Figure 4 (1.50" OD)

Model No.	Description	Shipping			
		Weight	Length	Width	Height
12053	30" Figure 4, .120" wall, pair	24 lbs 11kg	39" 99cm	32" 81cm	4" 10cm