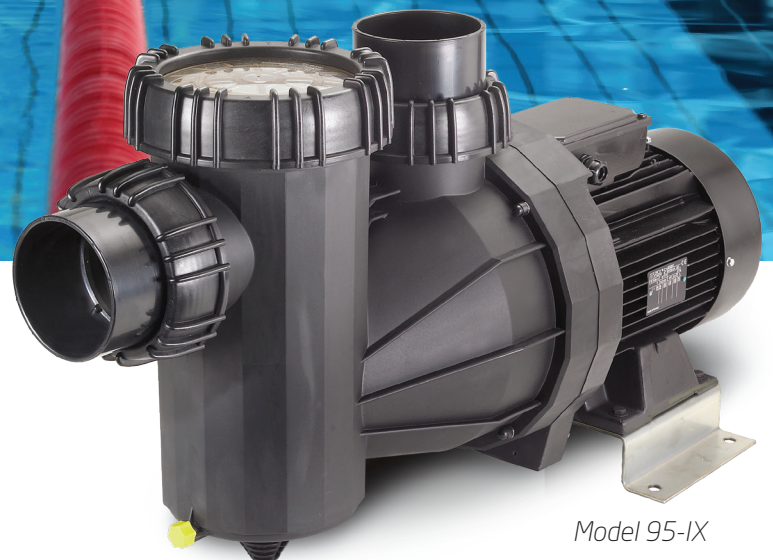


# To make a **Big Impact** you need a **Big Pump**

Wondering which way to go on your next commercial job? Check out our Model 95. With lightning fast priming, simple unionized fittings, and durable TEFC motors, 95's make short work of light commercial jobs.

- 4" Unionized Fittings for Maximum Flow
- Available with a Mounted VFD
- 2 year warranty
- Now available in 10HP!



Model 95-IX

WE BRING **WATER** TO LIFE!®

8125 Bayberry Road  
Jacksonville, FL 32256 USA  
info.usa@speck-pumps.com  
www.speck-pumps.com

Toll Free 800.223.8538  
Telephone 904.739.2626  
Facsimile 904.737.5261



**SPECK**   
pumps



# MODEL 95

High Performance

Plastic Commercial Pool Pump



## Features

- Large one-piece housing design with integrated strainer basket for faster pump priming.
- This high performance pump comes complete with our unique (20mm) mechanical shaft seal that allows the pump, if mistreated, to run dry for up to one hour.
- The pump can be used for pool water with a salt concentration of up to 5000 ppm.
- Equipped with 4" quick disconnect unions for easy installation and maintenance. A wrench for unions and lid is included with each pump. Flanges are available on request.
- Available with heavy duty, energy efficient, totally enclosed fan cooled (TEFC) or Open Drip Proof (ODP) motor designs.
- Compatible with most manufactured VFD's. (Direct mount options available)
- Two year warranty on the motor and all pump parts, including normal wear of the mechanical seal.
- Meets all DOE requirements for commercial pool pumps.
- Every pump is performance tested before leaving the Speck factory.

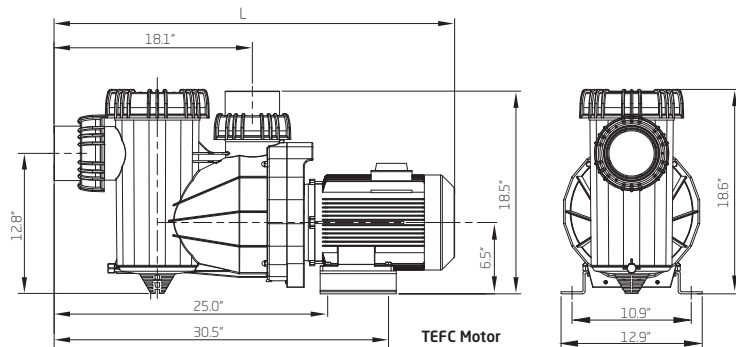


Model 95-X (w/ TEFC Motor)

## Applications

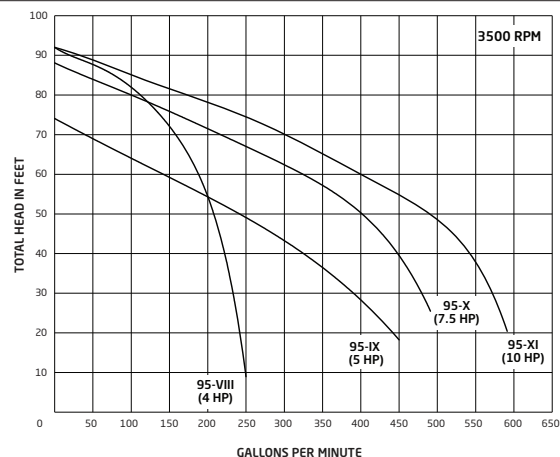
- Commercial Pools
- Negative Edges, Waterfalls, and Fountains

## Dimensional Drawing



For Model 95-VIII dimensional drawing, please call Speck Customer Service (800) 223-8538

## Performance Curves



## Technical Data

ORDER #	MODEL	HP	S.F.	Full Load AMPS	VOLTS	PHASE	SPEED	MOTOR	DIMENSION "L"
IG274-1500M-000	95-VIII	4.0	1.25	21.0-19.4	208-230	1 PH	single	ODP	36.8"
IG273-1500M-000	95-VIII	4.0	1.25	13.7-13.0/6.5	208-230/460	3 PH	single	ODP	36.8"
IG274-1500F-000	95-IX	5.0	1.15	24.9-23.0	208-230	1 PH	single	TEFC	36.0"
IG273-1500F-000	95-IX	5.0	1.15	15.0-14.5/7.5	208-230/460	3 PH	single	TEFC	35.0"
IG274-1750F-000	95-X	7.5	1.15	34.0-31.7	208-230	1 PH	single	TEFC	36.0"
IG273-1750F-000	95-X	7.5	1.15	19.0-18.0/8.9	208-230/460	3 PH	single	TEFC	35.0"
IG273-1100F-000	95-XI	10.0	1.13	25.6-23.8/11.9	208-230/460	3 PH	single	TEFC	36.0"

NOTE: The Model 95-VIII single phase is thermally protected. All other models requires a motor starter.