

# BADU<sup>®</sup> EcoMV

High Performance, Medium Head  
Variable Speed Swimming Pool Pump



## Features

- This high performance, medium head pump comes complete with our unique mechanical shaft seal that allows the pump, if mistreated, to run dry for up to one hour.
- The pump can be used for pool water with a salt concentration of up to 5000 ppm.
- Non-corrosive, chemical/UV resistant, and can withstand temperatures of up to 175°F.
- Lock ring that incorporates handles. These handles provide the user with a convenient way to easily remove the lid.
- Suction and discharge are equipped with 2" quick disconnect unions for easy installation and maintenance. (Optional 3" unions available.)
- For pool users' safety, the impeller has a dielectric shaft sleeve that provides absolute separation between pool water and electric parts.
- 2.7 THP Century<sup>®</sup> VGreen<sup>®</sup> Variable Speed motor with built-in easy to use controller LCD screen. (Also available with SVRS)
- RPM levels can be set to range from 600 to 3450. The levels can be set in increments of 25.
- Programmable high efficiency TEFC (totally enclosed fan cooled) maintenance-free permanent magnet brushless 56 frame motor with Class F insulation.
- Freeze protection feature that can be turned ON/OFF or adjusted.
- Programmable auxiliary load feature.
- Adjustable screen contrast feature.
- The controller can be removed and mounted away from the pump using the RS485 cable.
- Every pump is performance tested before leaving the Speck factory.



BADU EcoMV/72-V

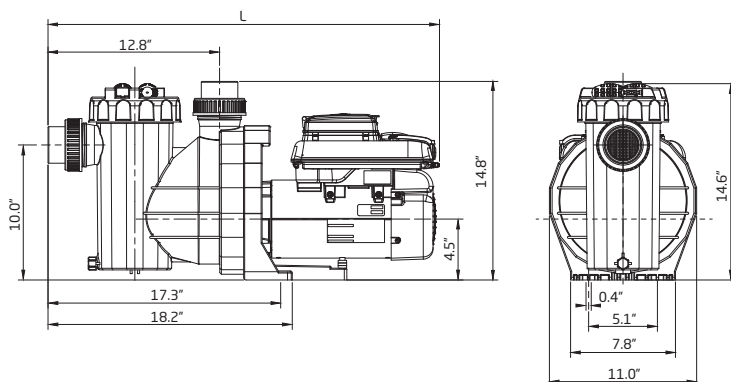
## Trademarks and Certifications



## Applications

- Large residential pools & spas
- Small commercial pools

## Dimensional Drawing



MODEL	DIMENSION "L"	SHIPPING WEIGHT
BADU EcoMV/72-V	29.1"	55 lbs.

## Performance Curves

