

## Variable Speed Pump

The Badu EcoM3 V is another example of Speck Pumps innovations to meet energy and environmental challenges. The Badu EcoM3 V uses a state of the art permanent magnet brushless DC motor controlled by advance logic electronics. This technology reduces operating cost up to 80%, lowers energy usage, and reduces noise. Perfect for most residential pools ranging from 10,000 to 25,000 gallons. The Badu EcoM3 V continues to set standards for the future by using 100% recyclable “environment friendly” plastics.

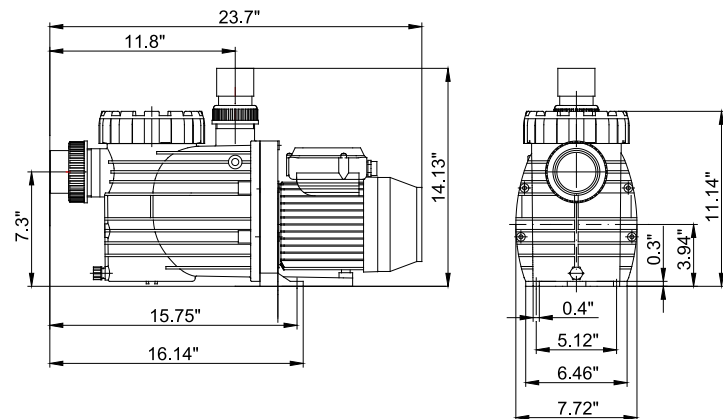


Badu EcoM3 V

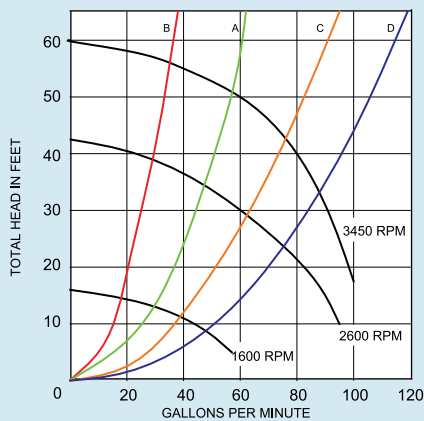


## features

- Variable speed control, ranging from 1000 to 3450 RPM. After priming the pump defaults to the lowest set speed. Factory Low defaults to 1600 RPM.
- This high performance, medium head pump comes complete with our unique mechanical shaft seal that allows the pump, if mistreated, to run dry for up to one hour.
- The pump can be used for pool water with a salt concentration of up to 5000 ppm.
- Pump parts are made of 100% recyclable plastic. Non-corrosive, chemical/UV resistant, and can withstand temperatures of up to 175° F.
- Totally enclosed fan cooled maintenance-free permanent magnet brushless DC motor with Class F insulation.
- For pool users' safety, the impeller has a dielectric shaft sleeve that provides absolute separation between pool water and electric parts.
- Specially constructed clear lid with ring lock design is easy to open. Large strainer basket is always locked in place.
- Pump comes equipped with 2" suction and 1 1/2" discharge unions ensuring optimum efficiency.
- **OPTIONAL Remote Controller:** Badu Eco Touch controllers. Can also be used with most other 3rd party electronic controllers.
- Three/Two year warranty on the motor and all pump parts, including normal wear of the mechanical seal.
- Every pump is performance tested before leaving the Speck factory.



## Badu<sup>®</sup> EcoM3 V PERFORMANCE CURVE



B, A, C, and D represent average system curves for pools with the pipe diameter mentioned below.

B = 1 1/2" Pipe      C = 2 1/2" Pipe  
A = 2" Pipe          D = 3" Pipe

## Badu<sup>®</sup> EcoM3 V TECHNICAL DATA

SPEED	RPM	POWER CONSUMPTION MAX
HIGH	2850 - 3450	700 - 1250 W
MEDIUM	1800 - 2800	210 - 670 W
LOW	1000 - 1725	65 - 200 W

Currently available in 1.0 HP 208-230 Volts.

Shipping weight 25 lbs.

## Adjusting the Speed

**Step 1:** Holding the Low, Med, or High button for 5 to 10 seconds will switch the control to speed adjust mode. The button that was held is the speed to be adjusted. The LED of the speed being adjusted will blink.

**Step 2:** Pressing the left (low) button will decrease the speed (in 250 RPM increments).

**Step 3:** Pressing the right (high) button will increase the speed.

**Step 4:** Pressing the middle (med) button will save the current speed and return to normal operation.

**Step 5:** Pressing the bottom (stop) button or waiting 30 seconds without pressing any buttons (Not saving) will cancel the change, revert back to the previous speed and return to normal operation mode.

**Step 6:** Holding all three speed buttons for 5 to 10 seconds will reset the three speeds to factory default. All three LEDs should be solid and lit. Continue to hold until the LEDs blink.

Speed Range: RPM

Low: 1000, 1200, 1400, 1600, 1725

Medium: 1800, 2000, 2200, 2400, 2600, 2800

High: 2850, 3050, 3250, 3450



**Figure 1**

## Changing the Default Speed

The reduced default speed is factory set to switch to low speed operation after the initial start-up operational period. However, it can be modified to medium speed as required by minimum flow / pressure requirements of various pool-side equipment / features as defined by manufacturer specifications. The default speed should only be modified during the first two minutes of applying power to the unit.

**Please follow all local/state regulations regarding pool motor and timer speed settings when choosing default speed operation.**

**Step 1:** Allow the pump to achieve prime if starting the system for the first time.

**Step 2:** Turn power off to the motor once pump prime is reached. Also turn power off to the motor if prime was previously reached.

**Step 3:** Turn the motor on after allowing the motor to sit for at least 30 seconds.

**Step 4:** After allowing the motor to come to full speed, press and hold the high and medium buttons simultaneously as shown in Figure 2 until the low speed LED indicator light begins to blink and then release.

**Step 5:** The low speed LED will continue to blink for three seconds to indicate a modification to the automatic default speed turndown is being requested. After a brief pause, a second series of LED blinks will indicate the new default setting has been set to either medium speed (medium speed LED blinks) or low speed (low speed LED blinks).

**Step 6:** Turn the motor off, wait 30 seconds, turn back on to activate new setting.

*Note: Repeat steps 1-6 to revert back to the previous default speed.*



**Figure 2**