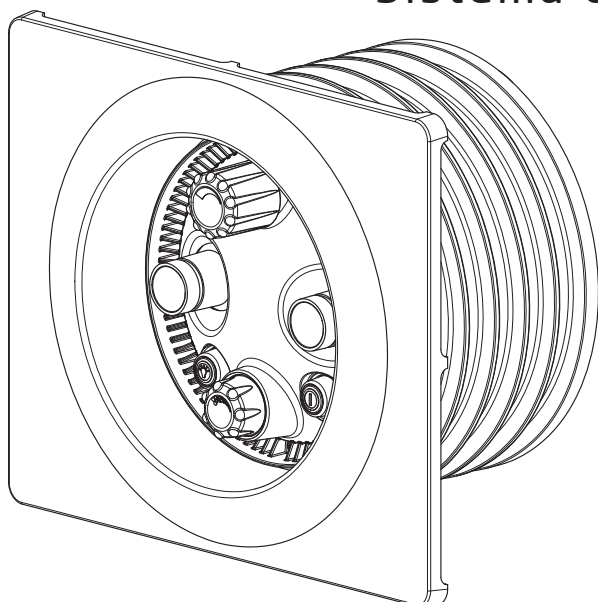


# BADU<sup>®</sup> JET super-sport II

Counter Swimming Unit  
Sistema de Nado Contra Corriente



**Technical Support:**

**Address:** Speck Pumps  
8125 Bayberry Road  
Jacksonville, FL. 32256  
USA

**Hours:** (Monday - Friday) 8:00 am to 5:00 pm EST

**Toll Free:** 800-223-8538

**Phone:** 904-739-2626

**Fax:** 904-737-5261

**Website:** [www.usa.speck-pumps.com](http://www.usa.speck-pumps.com)

*Manufactured by Speck Pumps, Jacksonville Florida USA, © 2017 All Rights Reserved.*  
This document is subject to change without notice.

**Safety**

Safety is emphasized throughout the user manual. These are safety alert symbols (**CAUTION, WARNING, and DANGER**). They alert the user of potential personal injury hazards. Obey all safety messages to avoid possible injury or death or damage to equipment.

<b>Date of Installation:</b>	
<b>Installed by:</b>	
<b>Serial Number:</b>	
<b>For Service Call:</b>	

# Table of Contents

<b>1</b>	<i>Important Safety Instructions</i>	<b>4</b>
	SwimJet Combination Fitting Manufacturers Warnings. . . . .	4
	General Safety Instructions. . . . .	5
<b>2</b>	<i>General Description</i>	<b>6</b>
<b>3</b>	<i>Installation Information</i>	<b>7</b>
	Receiving Information . . . . .	7
	Plumbing Installation . . . . .	7
	New Concrete or Gunite Installation . . . . .	9
	Existing Concrete or Gunite Installation . . . . .	13
	Liner and/or Fiberglass Pool Installation . . . . .	14
	Final Assembly . . . . .	16
	Electrical Installation . . . . .	17
<b>4</b>	<i>Service and Maintenance</i>	<b>20</b>
	Nozzle Adjustment . . . . .	20
	Winterizing . . . . .	21
<b>5</b>	<i>Frequently Asked Questions</i>	<b>21</b>
	Frequently Asked Questions . . . . .	21
	Troubleshooting . . . . .	22
<b>6</b>	<i>Product Specification</i>	<b>24</b>
	Replacement Parts and Exploded View . . . . .	24
<b>7</b>	<i>Limited Warranty</i>	<b>26</b>

## Badu® Jet super-sport // Certifications



Complies with UL 1563  
 CSA C22.2 No. 218.1-M89  
 Swimming Pool Equipment  
 Listing #E212148



VGB 2008

---

# 1 Important Safety Instructions

---

**WARNING:** Before Installing this product, read and follow all warning notices and instructions which are included. Failure to follow safety warnings and instructions can result in severe injury, death, or property damage. Call 1-800-223-8538 or visit [www.usa.speck-pumps.com](http://www.usa.speck-pumps.com) for additional copies of these instructions.

---

## Swim Jet Combination Fitting - Manufacturers Warnings

---

**MUST BE INSTALLED** by an experienced and qualified pool industry professional **ONLY**.

**Attention Installer:** This manual contains important information about installation, operation, and safe use of this product. This information should be given to the owner and/or operator of this equipment. Most Federal, State and Local codes regulate the construction, installation and operation of pools and spas. It is important to comply with these codes, many of which regulate the installation and use of this product.

1. **DO NOT** locate this fitting in seating areas or on the back rests for such seating areas.
2. This fitting should be mounted in the vertical pool wall only per manufacturer's instructions.
3. All fittings and fasteners should be examined for damage or tampering before each use.
4. Any missing, broken, or cracked fittings must be replaced before using this product. Only genuine Speck replacement parts may be used.
5. Acceptable fittings/pipe sizes are listed on page 7 of this manual. No other sizes are permitted.
6. Never exceed the maximum flow rate stated on this product.
7. The anti-entrapment cover must be in place when using this product. **DO NOT** use this product if the cover is missing, broke or loose.
8. The anti-entrapment cover (part# 93.1) should be replaced within 10 years from installation date.
9. Installation requires a Phillips screw driver. All screws should be hand tight only. **DO NOT** use electrical or air drills.
10. Consult your physician before exercising with the Badu® Jet super-sport II or using the massage hose.
11. **DO NOT** permit children to use this product unless they are closely supervised at all times.
12. **DO NOT** remove any safety alert labels such as **DANGER**, **WARNING**, or **CAUTION**. Keep safety alert labels in good condition and replace missing or damaged labels.
13. Stay alert, watch what you are doing and use common sense. **DO NOT** use unit if you are tired and/or exhausted. **DO NOT** use unit while under the influence of drugs, alcohol, or any medications.
14. **CAUTION: DO NOT** increase pump size; this will increase the flow rate through the system and exceed the maximum flow rate stated on this product.

**IMPROPER INSTALLATION OR USE OF THIS PRODUCT MAY PRESENT A RISK OF HAIR OR BODY ENTRAPMENT AND DROWNING.** Install this equipment in accordance with the instructions provided.

---

## Swim Jet Combination Fitting - Manufacturers Warnings - continued

---

As the manufacturer, Speck Pumps - Pool Products, Inc., hereby certifies that their Swim Jet Combination Fitting meets or exceeds the requirements of the Virginia Graeme Baker Pool & Spa Safety Act, VGB 2008 and ANSI/APSP 16 standards and safety regulations as set forth by the Consumer Products Safety Commission.

**“Read, and then keep these instructions for future reference”**

---

### General Safety Instructions

---

The following guidelines provide information to minimize the risk of injury to users of pools, spas, and hot tubs.

**WARNING: TO REDUCE THE RISK OF ENTRAPMENT HAZARD**



Pool and spa pumps produce high levels of suction, which can pose extreme danger if a person comes in close proximity to an open pool or spa drain or if a drain cover is loose, cracked, broken or missing. Pool and spa pumps move large volumes of water, which can pose extreme danger if a person's hair comes in close proximity to a drain that is not the proper size for the pump or pumps.

If not an approved single, unblockable outlet, a minimum of two functioning suction outlets per pump must be installed. Suction outlets in the same plane (i.e. floor or wall) must be installed a minimum of three (3) feet (1 meter) apart, as measured from center point to center point. Dual suction fittings shall not be located on seating areas or on the backrest for such seating areas. If any suction outlets are located closer they shall be located on two different planes (i.e. one on the bottom and one on the vertical wall, or one each on two separate vertical walls).

**WARNING:** Failure to keep suction outlet components clear of debris, such as leaves, dirt, hair, paper and other material can result in an increased potential for suction entrapment.

If not a single, unblockable outlet, in the event of one suction outlet being completely blocked, the remaining suction outlets serving the system shall have a flow rating capable of the full flow of the pump(s) or the specific suction system. If in doubt about the rating and/or head loss curve of your system, consult a qualified pool or spa professional and/or your respective equipment manufacturer(s). Also, double check with your local building/health authorities regarding single vs. multiple drain installations, etc.

Regularly inspect all drain covers for cracks, damage and advanced weathering. If a drain cover becomes loose, cracked, damaged, broken or is missing, close the pool or spa immediately, post a notice and keep the pool or spa closed until an appropriate VGB 2008 certified drain cover is properly installed.

### WATER VELOCITY AND FLOW RATES

The maximum water velocity through drain covers is limited by some local regulations, for example some state health departments limit the velocity through public pool drain covers to 1.5 feet per second. This velocity limit is lower than the flow rating provided by the ANSI/APSP 16 certification; therefore local limit applies and must be followed. Never exceed the flow rating listed on the cover even if local code does not provide a velocity limit.

For additional information on proper installation refer to The Association of Pool & Spa Professionals ANSI/APSP-7 Standard and the US Consumer Product Safety Commission Guidelines for Entrapment Hazard.

---

## General Safety Instructions - continued

---

### VGB Compliance - VIRGINIA GRAEME BAKER POOL AND SPA SAFETY ACT

The Virginia Graeme Baker Pool and Spa Safety Act raises certain new requirements on owners and operators of swimming pools and spas.

Pools or spas constructed on or after December 19, 2008, shall utilize:

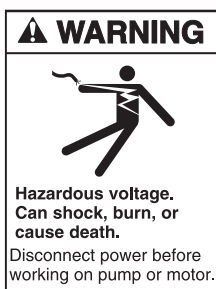
- (A) No submerged suction outlets, a gravity drainage system with ANSI/APSP compliant cover(s), one or more unblockable outlets; or
- (B) A multiple main drain system without isolation capability with suction outlet covers that meet ANSI/APSP 16-2011 Suction Fittings for Use in Swimming Pools, Wading Pools, Spas, and Hot Tubs and either:
  - (i) A safety vacuum release system (SVRS) meeting ASME/ANSI A112.19.17 Manufactured Safety Vacuum Release Systems (SVRS) for Residential and Commercial Swimming Pool, Spa, Hot Tub, and Wading Pool Suction Systems and/or ASTM F2387 Standard Specification for Manufactured Safety Vacuum Release Systems (SVRS) for Swimming Pools, Spas and Hot Tubs or
  - (ii) A properly designed and tested suction-limiting vent system or
  - (iii) An automatic pump shut-off system.

Pools and spas constructed prior to December 19, 2008, with a single submerged suction outlet shall use a suction outlet cover that meets ANSI/APSP 16-2011 and either:

- (A) A multiple main drain system without isolation capability, or a single (VGB 2008 compliant) unblockable suction outlet, or
- (B) A safety vacuum release system (SVRS) meeting ASME/ANSI A112.19.17 and/or ASTM F2387, or
- (C) A properly designed and tested suction-limiting vent system, or
- (D) An automatic pump shut-off system, or
- (E) Disabled submerged outlets, or
- (F) Suction outlets shall be reconfigured into return inlets.

For more information about the Virginia Graeme Baker Pool and Spa Safety Act, contact the Consumer Product Safety Commission at (301) 504-7908 or visit [www.cpsc.gov](http://www.cpsc.gov).

### **WARNING:** Risk of Electrical Shock or Electrocution



*Pool pump must be installed by a licensed or certified electrician or a qualified pool serviceman in accordance with the National Electrical Code and all applicable local codes and ordinances. Improper installation will create an electric hazard which could result in death or serious injury to pool users, installers, or others due to electrical shock, and may also cause damage to property.*

***Always disconnect power to the pool pump at the circuit breaker before servicing the pump. Failure to do so could result in death or serious injury to serviceman, pool users, or others due to electric shock.***

---

## 2 General Description

---

The BaduJet super-sport II from Speck Pumps has been designed to be installed during the construction of your pool to create a water treadmill for anyone wanting a therapeutic and effective exercise. The BaduJet super-sport can be installed in any type of pool, large or small, from gunite to vinyl liner. The self-contained, flush-mounted unit is a jet-propulsion system that pumps water into the pool creating a current in excess of 5,700 gallons per minute from a recessed jet housing. Topping off the experience is the pulsating massage hose which can be attached to the jet nozzles for easy and convenient massage treatments for joints and muscles.

# 3 Installation Information

## Receiving Information

1. Upon receipt of the swimjet system, check the cartons for damage. Open each carton and check the pump, jet housing, anti-entrapment cover, and control box for concealed damage, such as cracks, dents, or a bent base. If damage is found, contact the shipper or distributor where the swimjet was purchased.
2. Inspect the contents of each carton and verify that all parts are included. (See Figure 1)

- A. Flush-mount jet housing
- B. Rectangular, anti-entrapment cover (20" x 17") for undetectable pump suction.
- C. Jet Nozzles
- D. Water volume control knob - adjusts the amount of water flow through the jet nozzles
- E. Light (ON/OFF) air button - turns low voltage LED light ON/OFF and guarantees complete electrical separation between pool water, pump motor, and control box.

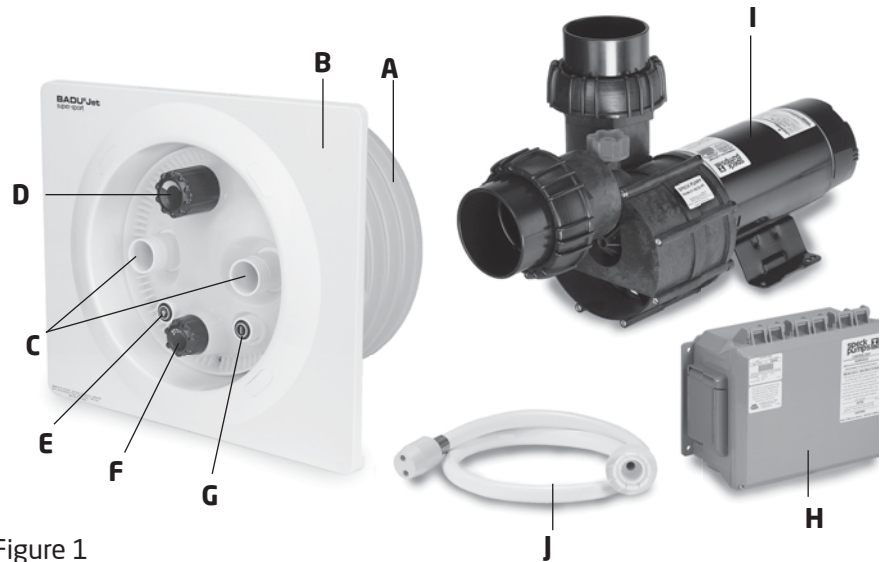


Figure 1

- F. Air regulator knob - adjusts the amount of air bubbles in the water flow
- G. System (ON/OFF) air button - turns the swimjet system ON/OFF and guarantees complete electrical separation between pool water, pump motor, and control box.
- H. Control box complete with GFCI, air switches, and air tubing
- I. Speck Model 21-80/33GS - 4HP, self-priming, single phase plastic pump with built-in thermal overload (no motor starter required). Optional three phase pump and control box also available. (NOTE: Flooded suction pump available for installation below water level)
- J. Pulsating massage hose - 5 ft. length

## Plumbing Installation

**CAUTION:** The discharge connection on the back of the jet housing must be located directly **ABOVE** the suction connection.

**CAUTION:** The suction line should remain below water level from the suction connection at the jet housing to a point directly beneath the pump.

**CAUTION:** The center of the BaduJet super-sport nozzles (jet housing center-line) must be located 12" **BELOW** the water line for maximum performance and efficiency.

**CAUTION:** In areas with soft soil conditions or with frequent earth movement, a flexible section of 4" hose should be installed at the back of the jet housing to prevent plumbing or jet housing damage.

## Plumbing Installation - Continued

**CAUTION:** For trouble-free pump priming (up to 4 feet above the water line), first install a 6" long riser in the discharge connection on top of the pump. Then install an elbow and lead the discharge line downward to the discharge connection at the BaduJet super-sport II jet housing.

**CAUTION:** Allow at least 12 hours curing and bonding time. Insufficient curing and bonding time can result in leaks and flooding.

**CAUTION:** Throughout the entire installation, make sure the plumbing connected to the BaduJet super-sport jet housing is well supported. Unsupported plumbing WILL crack the jet housing.

**CAUTION: DO NOT** use the pump as a fixed point (support) for the plumbing.

**CAUTION:** When using 6" pipe, install 6" x 4" reducer bushings at **the jet housing suction and discharge connections.** The 6" suction line should be run from the jet housing and remain under the water line to a point directly beneath the pump. Install a 6" elbow at that point. Then run 4" pipe vertically up to the suction connection of the pump and finish with a 4" elbow.

- For optimal performance, use 4" plumbing when the total distance between the pump and jet housing is 30 ft or less. The plumbing should be as direct and free from turns or bends as possible because **elbows and other fittings can create large friction losses and reduce the performance of the system. The shortest length of pipe with the minimum number of fittings possible should be used to avoid any significant friction loss due to the pipe and fittings.** **NOTE:** Refer to Figure 2 for the BaduJet super-sport head loss curve.
- A maximum of seven (7) 90° 4" elbows may be used with 30 ft of horizontal 4" pipe for the suction line and 30 ft of horizontal 4" pipe for the discharge line without negatively affecting the performance of the system.

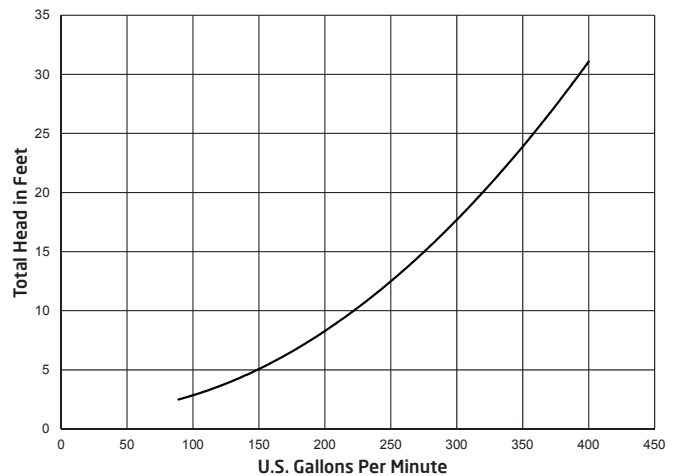


Figure 2  
BaduJet super-sport II Head Loss Curve

- If more elbows are required for the installation, 4" sweeps must be used in place of the elbows. When using sweeps instead of elbows, a maximum of nine (9) 4" sweeps may be used with 30 ft of horizontal 4" pipe for the suction line and 30 ft of horizontal 4" pipe for the discharge line without negatively affecting the performance of the system.
- If the pump cannot be located within 30 ft of the jet housing with the maximum number of 4" elbows or sweeps stated above, then 6" plumbing must be used. For the suction line, use 6" plumbing and fittings from the connection at the jet housing to a point directly beneath the pump. From that point, install a 6" elbow. Then run 4" pipe vertically up to the suction connection of the pump and finish with a 4" elbow. For the discharge line, 6" plumbing should be installed from the discharge connection of the pump all the way to the discharge connection of the jet housing.

**CAUTION:** The BaduJet super-sport system includes 30 ft of cable for the LED light and two 30 ft lengths of air tubing for the air buttons. If the control box cannot be located within 30 ft of the jet housing, please contact the factory at (800) 223-8538 or [technical.usa@speck-pumps.com](mailto:technical.usa@speck-pumps.com).

**NOTE:** Suction lines which are too long have significant disadvantages:

- Higher resistance which results in less efficient priming and a higher risk of cavitation.
- Longer priming time (up to 12 min).
- Keep the suction and discharge lines as short and straight as possible.
- If the pump is positioned further away, then the pipe dimensioning has to be adapted so that almost loss-free flowing is ensured.



## Plumbing - continued

Figure 3  
Sample BaduJet super-sport II Installation (Self-Priming)

*NOTE: Valves are recommended when pump is installed below water level (flooded suction applications).*

*NOTE: To avoid stress on the housing, the jet housing and 2 to 3 inches of plumbing/conduit stub out may be encased in gunite or concrete.*

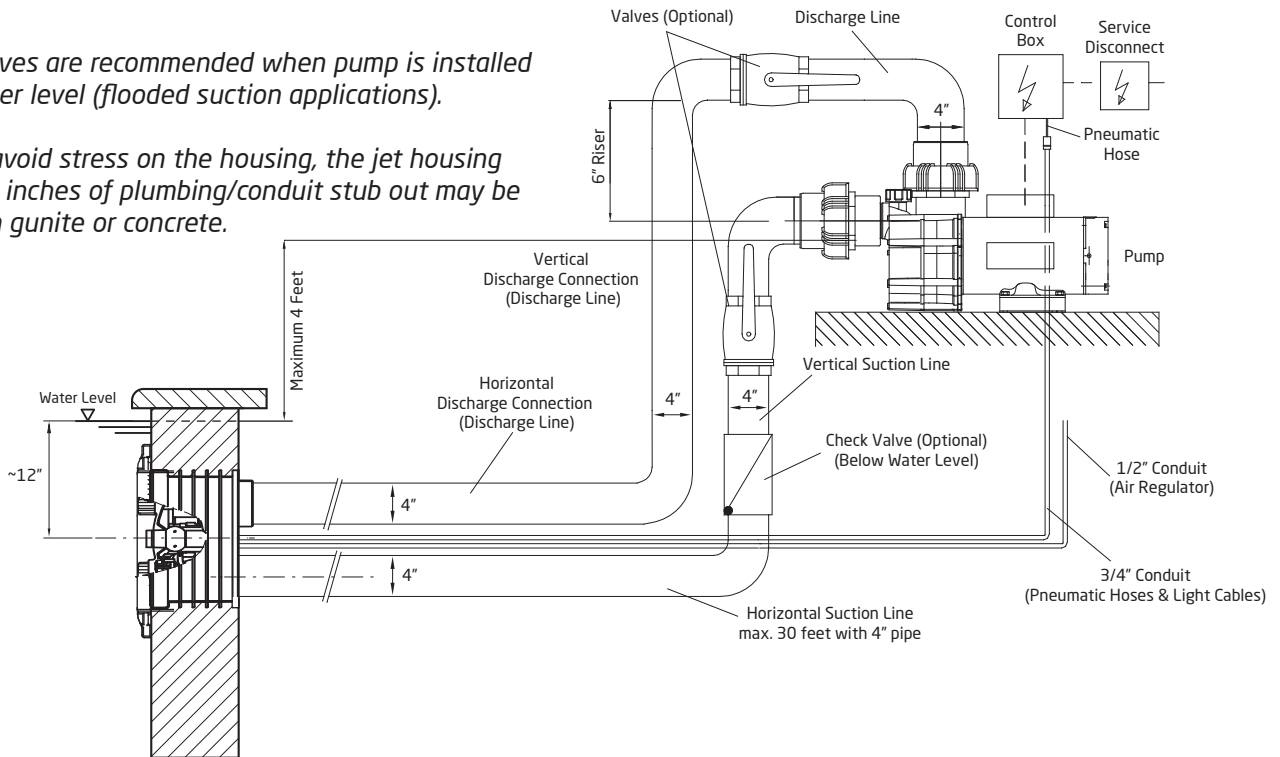
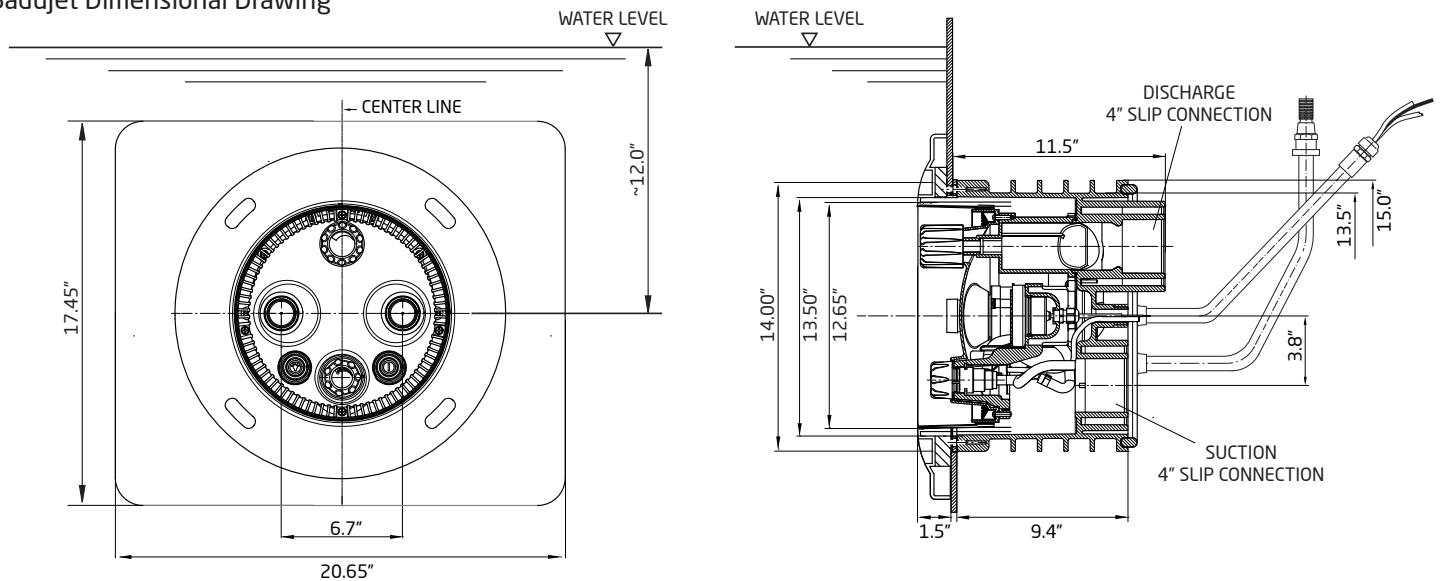


Figure 4  
BaduJet Dimensional Drawing



## Jet Housing Installation - New Concrete or Gunite Construction

**CAUTION:** All necessary screws and bolts included with the BaduJet super-sport are stainless steel. **ALL** screw threads and threaded inserts are **METRIC! ONLY METRIC** bolts and nuts may be used! All screws should be **HAND TIGHT. DO NOT** use drills or pneumatic tools. **DO NOT** over tighten!

## Jet Housing Installation - New Concrete or Gunitite Construction

The following is a list of all parts that **ARE NOT USED IN A CONCRETE OR GUNITITE INSTALLATION WITHOUT VINYL LINER**:

- Gasket with knobs (part #26)
- Clamping ring gasket (part #27)
- M8 x 30mm Countersunk Screw (part #98)

### 1. Pre-plumb BaduJet super-sport jet housing:

- Install approximately 12" of 4" SCH 40 pipe to both suction and discharge connections on the back of the jet housing.

*NOTE: If total plumbing length exceeds 30 ft between the jet housing and pump, increase pipe size to 6". Install 6" x 4" reducer couplings at the jet housing connections.*

### 2. Install the protective conduit (refer to Figure 10 on page 14 & Figure 14 on page 16):

- Glue the metric side of the M25 x 3/4" conduit connector (part #118) to protective conduit port on the back of the jet housing.
- Install 3/4" flexible or rigid PVC protective conduit to the 3/4" side of the M25 x 3/4" conduit connector. Run the 3/4" protective conduit to the control box location.

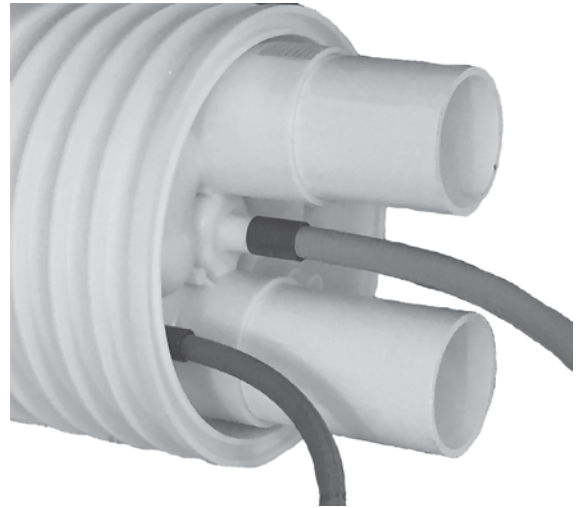


Image 1  
BaduJet Imperial pre-plumbed & conduit installed

**CAUTION:** The BaduJet super-sport system includes 30 ft of cable for the LED light and two 30 ft lengths of air tubing for the air buttons. If the control box cannot be located within 30 ft of the jet housing, please contact the factory at (800) 223-8538 or [technical.usa@speck-pumps.com](mailto:technical.usa@speck-pumps.com).

### 3. Install the air regulator hose (refer to Figure 10 on page 14 & Figure 14 on page 16):

- Glue the metric side of the M20 x 1/2" conduit connector (part #117) to the air regulator port on the back of the jet housing.
- Install 1/2" flexible or rigid PVC conduit (this serves as the air regulator hose) to the 1/2" side of the M20 x 1/2" conduit connector. Run the 1/2" conduit to a point above the water line (for example, at the equipment pad). Install the 1/2" check valve (part #101), O-ring (part #113), and 1/2" conduit adapter (part #116) at the end of the 1/2" conduit.

### 4. For poured concrete pools only:

- Create formwork for the jet housing using Figures 5 & 6.
- Drill the four M8 holes marked (1) in Figure 5 in the formwork for the inner pool wall. Cut a 14.5" hole in the formwork for the outer pool wall. **CAUTION:** The center of the jet housing **MUST BE** mounted 12" **BELOW** the water line as shown in Figures 5 & 6
- Insert the round sealing cord (part #25) in the groove in the back of the jet housing.
- Place the jet housing between the steel rebar with the back of the jet housing against the hole in the outer wall formwork. Jet housing location is very important (See Figure 6).
- Install the four (4) M8 x 80mm gunitite cover studs (part #31) in the front of the jet housing. They should be in the same position as the holes marked (1) in Figure 5. Slide the gunitite cover (part #30) over the studs. Tape the edge of the gunitite around the entire jet housing to keep concrete out of threaded inserts and out of the jet housing.

## Jet Housing Installation - New Concrete or Gunite Construction - continued

- Slide the inner wall formwork over the studs in the jet housing through the pre-drilled holes. Secure the formwork to the jet housing with four (4) M8 washers (part #32) and four (4) M8 nuts (part #33).

### 5. For gunite pools:

- Mount the gunite cover to the front of the jet housing using the four (4) M8 x 80mm studs (part #31), four (4) M8 washers (part #32) and four (4) M8 nuts (part #33). Tape the edge of the gunite cover around the entire jet housing to keep gunite out of threaded inserts and out of the jet housing.

- Place the jet housing between the steel rebar. Jet housing location is very important (See Figure 6).

### 6. Pour concrete or apply gunite:

- Front edge of the jet housing should finish even with the inside pool wall. Make sure a V shaped groove is scraped out around the housing approximately 1.5" deep to allow marcite to seal against the housing.

- Recheck the location of the jet housing when concrete or gunite is being applied. Make sure the jet housing remains properly aligned and level.

- To avoid stress on the housing, the jet housing and 2 to 3 inches of plumbing/conduit stub out may be encased in gunite or concrete.

- Store all parts not being used now in original box. Store in a safe place until needed.

7. Once the concrete or gunite is fully cured and pool wall is completed, remove the M8 nuts and washers, gunite cover, and M8 studs. Be sure that the front edge of the jet housing is flush with the pool wall.

**CAUTION:** During plastering, the gunite cover, studs, washers, and nuts should remain installed on the jet housing.

8. Install the clamping ring (part# 28) based on your pool construction:

#### ■ Gunite wall (no tile or liner):

Align the clamping ring (part# 28) then use the twelve (12) M8 x 30 clamping ring screws (part# 52) to attach the clamping ring to the jet housing.

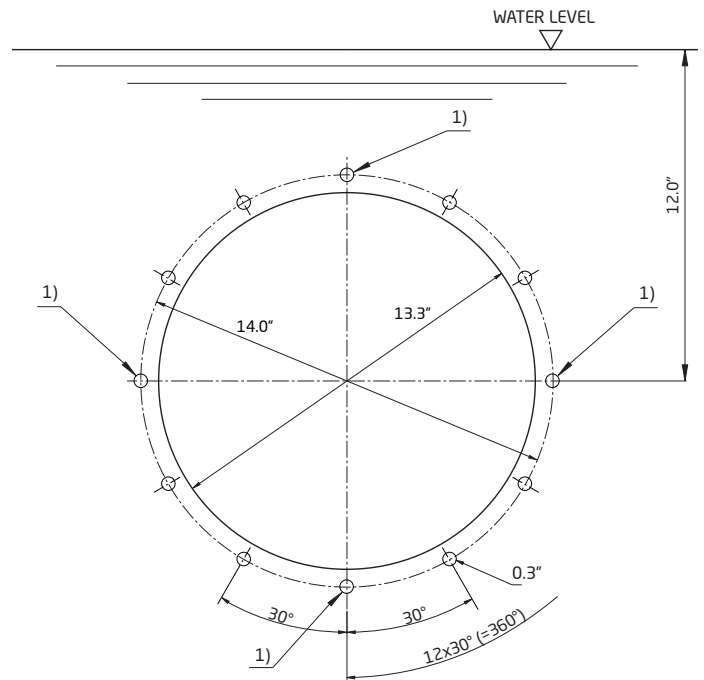


Figure 5  
1) Fastening to the formwork (4x)  
Installation Template for Concrete or Gunite Pools

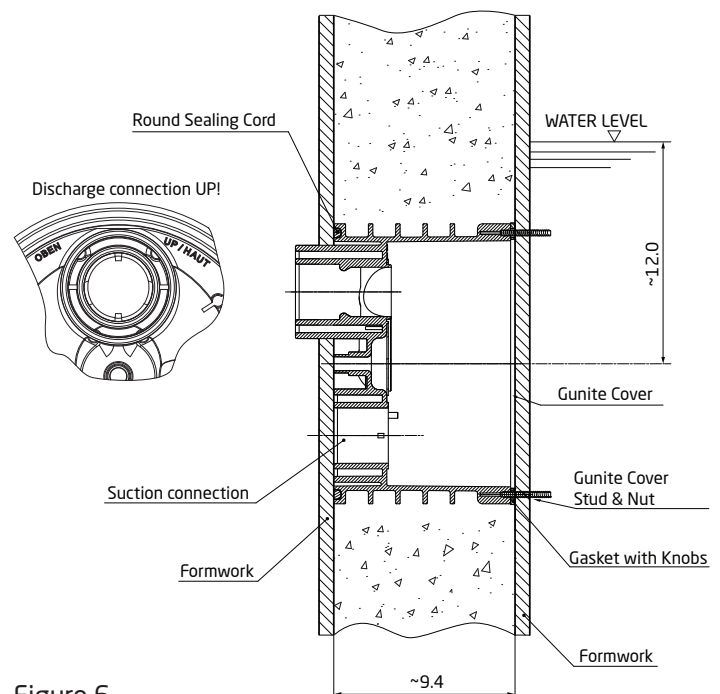


Figure 6  
Installation formwork for Concrete or Gunite Pools

## Jet Housing Installation - New Concrete or Gunite Construction - continued

### ■ Concrete pool with vinyl liner:

Use the provided mounting template (*small scale version of template shown in Figure 5*) to mark and drill the holes through the liner (twelve (12) M8 clamping ring screw holes and 13.3" center hole). Insert the gasket with knobs in the front of the jet housing (part# 26). Install the liner with the holes aligned to the jet housing. Align clamping ring (part# 28) and place the clamping ring gasket (part# 27) and install using the twelve (12) M8 x 30 clamping ring screws (part# 52). (See Figure 7)

### ■ Tiled pool:

The tile thickness may be compensated with an additional clamping ring and longer clamping screws (optional parts). (See Figure 8)

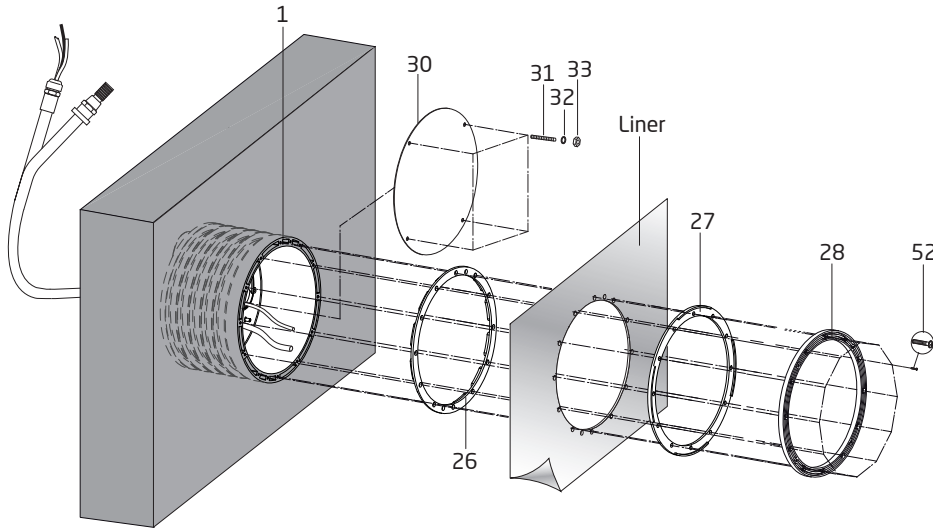


Figure 7  
Installation for concrete pool with a vinyl liner

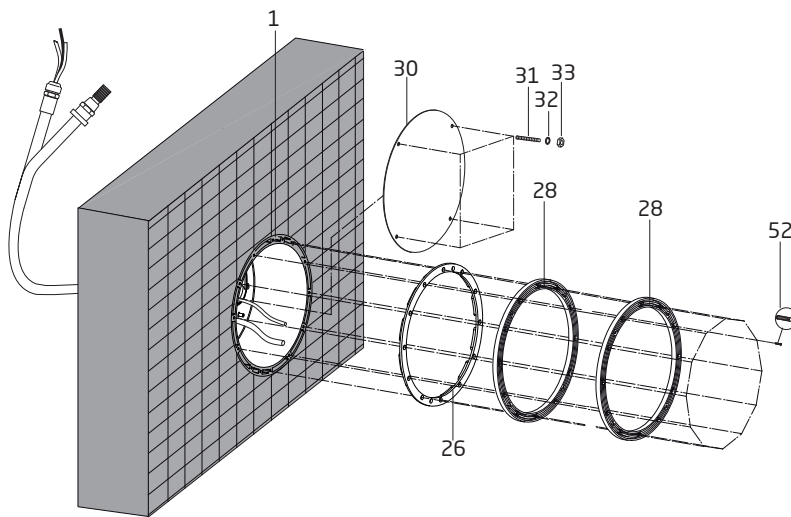


Figure 8  
Installation for a tile pool

---

## Jet Housing Installation - Existing Concrete or Gunite Construction

---

Materials: (*NOT INCLUDED*)

- One (1) piece of plywood 2' x 3' x 1/4"
- Eight (8) Lag screws 1/4" x 1-1/2" (minimum)
- Eight (8) Plastic lag shield anchors

1. Follow steps 1-4 under Jet Housing Installation - New Concrete or Gunite Construction on pages 9 - 10.

2. Carefully, choose the location where the BaduJet super-sport will be installed; it should be a flat surface with no or very little crown.

3. Using a concrete saw, cut out the outline of the section to be chiseled out with an air hammer or equal. This hole should be 19" wide by 19" **BELOW** the water line. The bonding rods on the cap of the pool should be left intact, while all other steel rods should be cut back to clear the placement of the jet housing.

4. Taking the 2' x 3' x 1/4" plywood, set its top edge even to the cap of the pool wall. In some cases a larger piece of plywood maybe needed to cover the hole completely. If plywood covers the hole completely, mark the water line on the plywood. From this line, layout and drill holes in plywood for the four (4) M8 x 80 gunite cover studs (part# 31) and the eight (8) 1/4" lag screws. (*See Figure 9*)

5. Insert the four (4) M8 x 80 gunite cover studs (part# 31) in the jet housing; one on each end of the vertical center line and one on each side on the horizontal center line insert gasket with knobs (part# 26). Place gunite cover on studs covering the inside of the jet housing. Next place plywood on the studs and secure to the jet housing with four (4) M8 stud washers (part# 32) and four (4) M8 gunite cover stud nuts (part# 33). The discharge connection should be located directly **ABOVE** the suction connection.

6. Now place this assembly into position in the pool wall and align the water line marks. With a level on the two (2) horizontal studs, level the assembly and mark the eight (8) holes for the 1/4" lag shield anchors. Remove assembly and drill holes for lag anchors. Install lag shield anchors. Reposition the assembly and secure it to the lag shield anchors with 1/4" lag screws. It is best to check with a level before tightening the lags down. Back fill and form the outside of pool wall.

7. Mix compound that is compatible and has a good bonding characteristics to the pool wall compound. Pour mixture into form. Use a mallet and lightly tap the front of formed assembly to settle mixture, and avoid any air bubbles in the pour. It should be filled to the top of the plywood. Let mix cure and then remove plywood from the housing assembly. Leave gunite cover installed using M8 x 80 gunite cover studs (part# 31) with M8 stud washers (part# 32) and M8 gunite cover stud nuts (part# 33) until pool wall is complete. Drill out plastic lag anchors and fill in the holes. Apply finish to pool wall (plaster, tile, paint, etc.). Remove the gunite cover, gasket with knobs, and the gunite cover screws.

*NOTE: To avoid stress on the housing, the jet housing and 2 to 3 inches of plumbing stub out may be encased with gunite or concrete.*

8. Install the clamping ring (part# 28) based on your pool type:

■ **Gunite wall (no tile or liner):**

Align the clamping ring (part# 28) then using the twelve (12) M8 x 30 clamping ring screws (part# 52), attach the clamping ring and handles to the jet housing.

■ **For a concrete pool with vinyl liner:**

Use the template in Figure 5 to mark and drill the holes through the liner (twelve (12) M8 holes and center 14" hole). Insert the gasket with knobs (part# 26) in the front of the jet housing. Install the liner with the holes aligned with the jet housing. Install the clamping ring (part# 28) and clamping ring gasket (part# 27) using the twelve (12) M8 x 30 clamping ring screws. (*See Figure 7*)

■ **In a tiled pool:**

The tile thickness may be compensated with an additional clamping ring and longer clamping ring screws (optional parts). (*See Figure 8*)

9. Continue to Final Assembly Section on page 16.

## Jet Housing Installation - Existing Concrete or Gunite Installation - continued

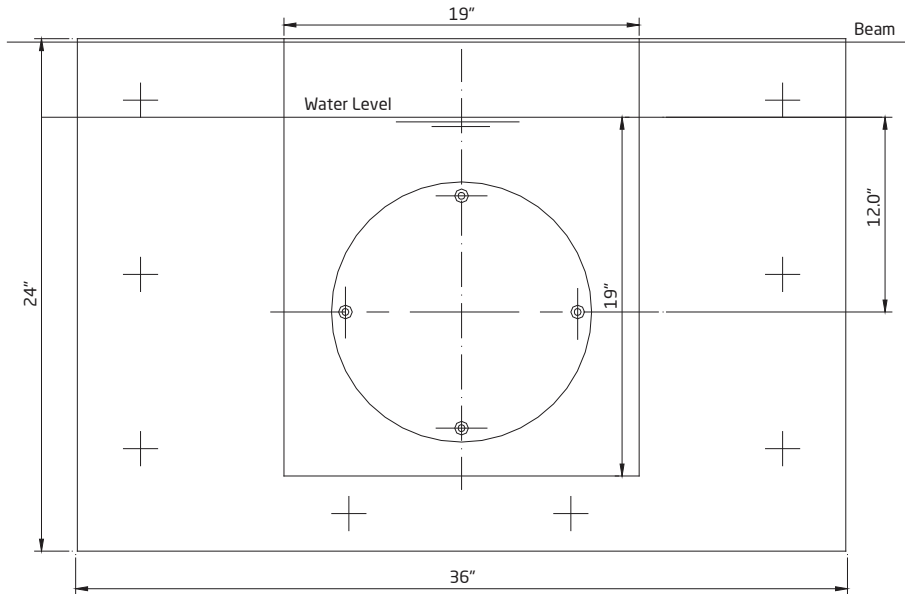


Figure 9  
Layout for installing in existing gunite or concrete pools

## Jet Housing Installation - Liner and/or Fiberglass Pool Construction

**CAUTION:** Locate discharge connector directly **ABOVE** the suction connection. Discharge and suction connectors must be exactly vertical or the stainless steel handles will not align properly. (See Figure 10)

**CAUTION:** Center of the jet housing (the two jet nozzles) should be exactly 12" **BELOW** water level for maximum efficiency.

**CAUTION:** Gasket with knobs (part# 26) goes **BEHIND** pool wall.

**CAUTION:** Clamping ring gasket (part# 27) goes in **FRONT** of pool wall. A good RTV silicone may be used with gasket when mounting jet housing, but in most cases it is not necessary. Installer should decide whether or not silicone is necessary.

1. Cut 13.3" hole through pool wall. Ensure that the center of this hole is 12" **BELOW** the water level.

2. Using the template shown in Figure 11, mark and drill the fourteen (14) M8 holes through the pool wall.

3. Insert the gasket with knobs (part# 26) in the front of the jet housing. Align the jet housing on the outside pool wall, making sure the discharge connector is directly **ABOVE** the suction connector.

4. **For Liner pools only:** Install the two M8 x 30 countersunk screws (part# 98) in the two holes at 15° from the vertical axis. This will keep the jet housing attached to the pool wall for liner installation and replacement.

5. Align the clamping ring gasket (part# 27) on the inside of the pool wall (or on liner) as shown in Figures 12 & 13. Be sure the ribs on the outer edge of the gasket are facing away from the pool wall and are positioned as shown.

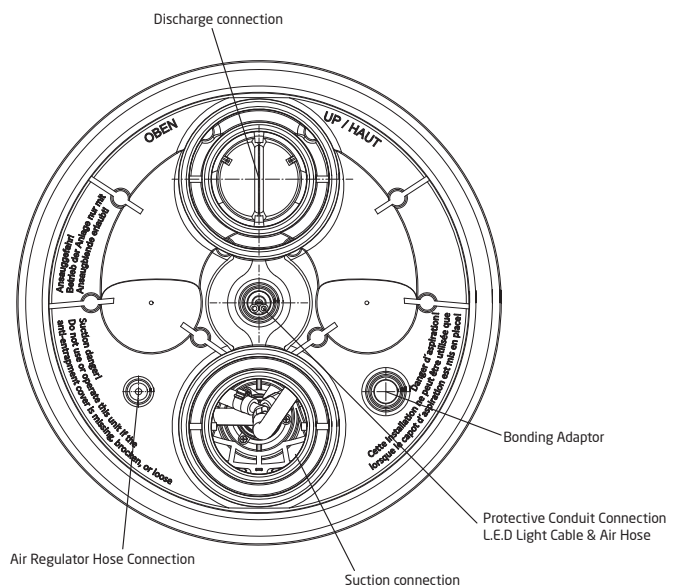


Figure 10  
Jet Housing - Rear View

## Jet Housing Installation - Liner and/or Fiberglass Pool Construction - continued

6. Align the clamping ring (part# 28) over the clamping ring gasket (part#27).

7. Install the twelve (12) M8 x 30 clamping ring screws (part# 52).

8. Follow steps 1-4 under Jet Housing Installation - New Gunite or Concrete Construction on page 9 - 10.

9. Continue to Final Assembly Section on page 16.

*NOTE: The gunite cover (part# 30), M8 x 80 studs (part# 31), 8.4mm washers (part# 32), and M8 nuts (part# 33) are used in those cases where the swimming pool is commissioned without the final assembly kit being installed.*

**CAUTION:** All screws should be **HAND TIGHT. DO NOT** use drills or pneumatic tools. **DO NOT** over tighten!

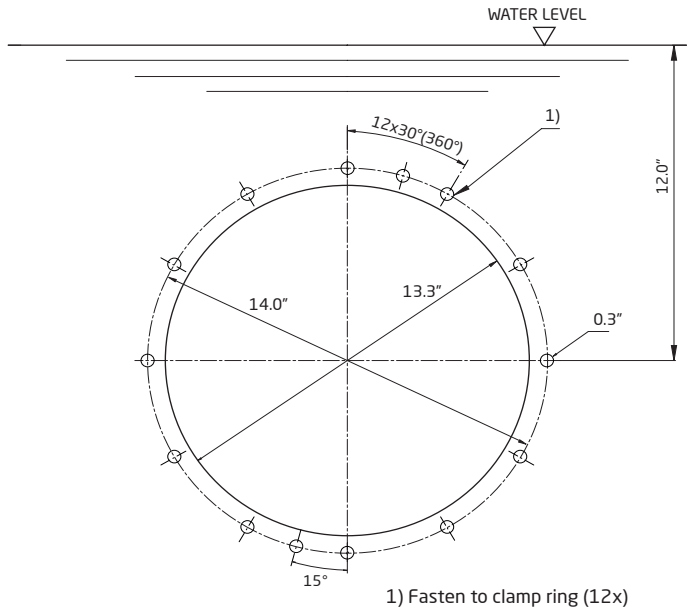


Figure 11  
Template for fiberglass/vinyl liner pools

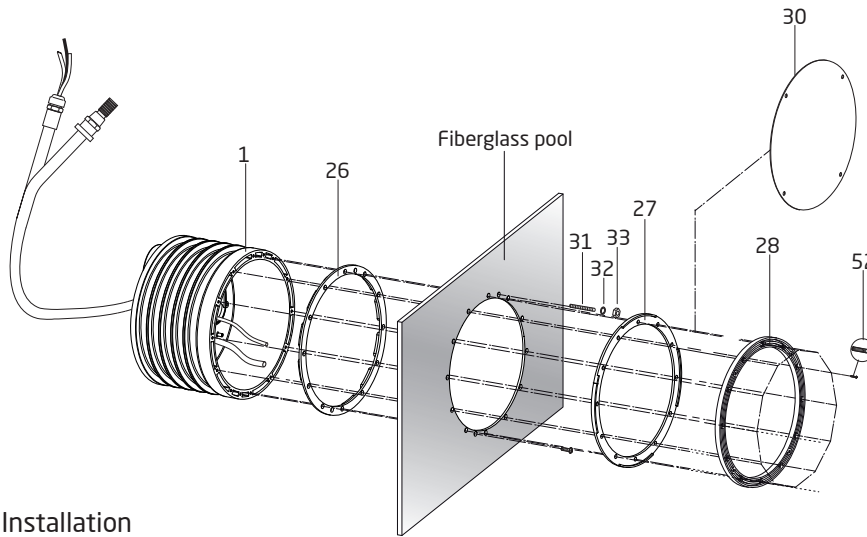


Figure 12  
Fiberglass Pool Installation

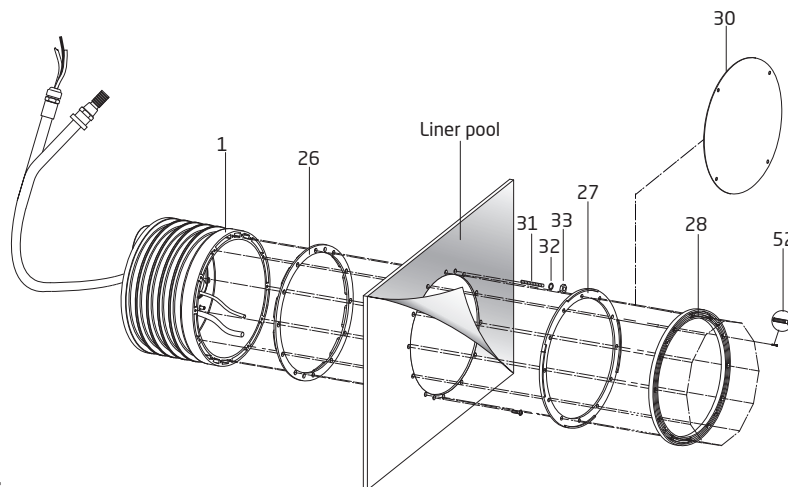


Figure 13  
Liner Pool Installation

## Final Assembly

1. Insert the o-ring (part# 62) in the jet housing as shown in Figure 14.

2. Start the ten (10) nozzle housing tapping screws (part# 61) into the pre-assembled nozzle housing (part# 102.1). Place the nozzle housing at the main jet housing.

3. Feed both lengths of air tubing (part# 47) through the protective conduit as shown in Figure 14. Allow enough air tubing to reach the control box and air buttons. Excess can be trimmed upon installation. Mark each end with a marker. (P = Pump & L = Light.)

4. Fasten the internal air regulator hose (part# 4) to the hose nipple inside the jet housing using the hose clamp (part #9).

5. Route the air tubing through the air button openings of the nozzle housing.

*NOTE: Light ON/OFF button is on the left and the pump ON/OFF button is on the right.*

6. Align the complete nozzle housing to the main jet housing and fasten the ten (10) pre-assembled tapping screws. All screws should be **HAND TIGHT**. **DO NOT** use drills or pneumatic tools. **DO NOT** over tighten!

7. Place the rectangular cover (part# 93) against the clamping ring (part #28) and fasten with four (4) 8.4mm washers (part# 94) and four (4) M8 x 20 machine screws (part# 95) and cover the openings with the rectangular covers (part# 96). All screws should be **HAND TIGHT**. **DO NOT** use drills or pneumatic tools. **DO NOT** over tighten! Make sure the UP label is in the correct position.

**WARNING: DO NOT** use or operate the BaduJet super-sport II if the anti-entrapment cover is missing, broken, or loose.

8. Guide the air tubing through the two (2) bottom openings of the light cover (part# 110).

*NOTE: Light ON/OFF button is on the left and the pump ON/OFF button is on the right. Align the light cover with the nozzle housing and secure with four (4) light cover tapping screws (part# 112). (See Figure 15)*

9. Slide one (1) o-ring (part# 37) onto each air button. Fasten each length of air tubing to the corresponding buttons using the hose clamps (part# 48). Insert the two (2) air buttons through the light cover and into the nozzle housing and lock them by turning them clockwise until they 'click' into place.

10. Mount the volume control knob (part #21.1) and air regulator knob (part #111) by means of a rubber mallet and a protective cloth. (See Figure 16)

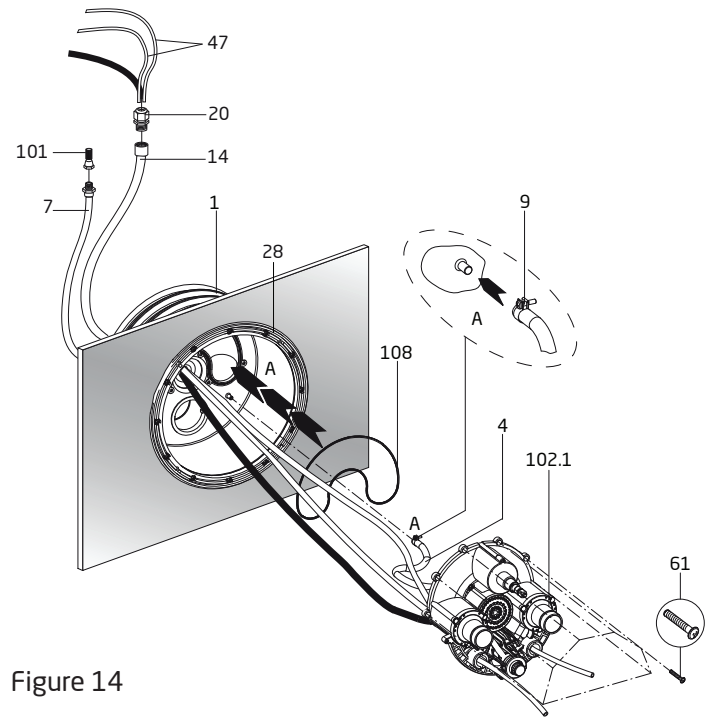


Figure 14



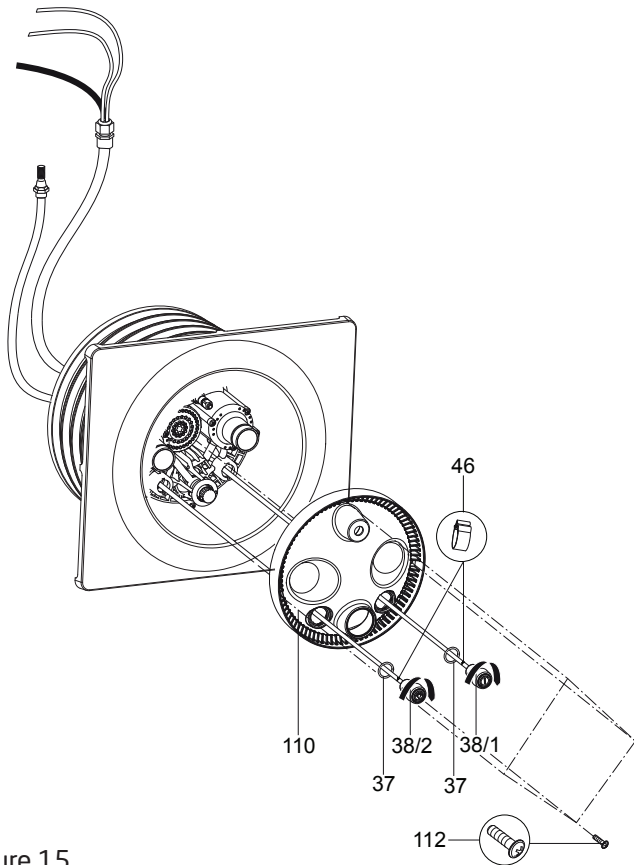


Figure 15  
Installation of Light Cover

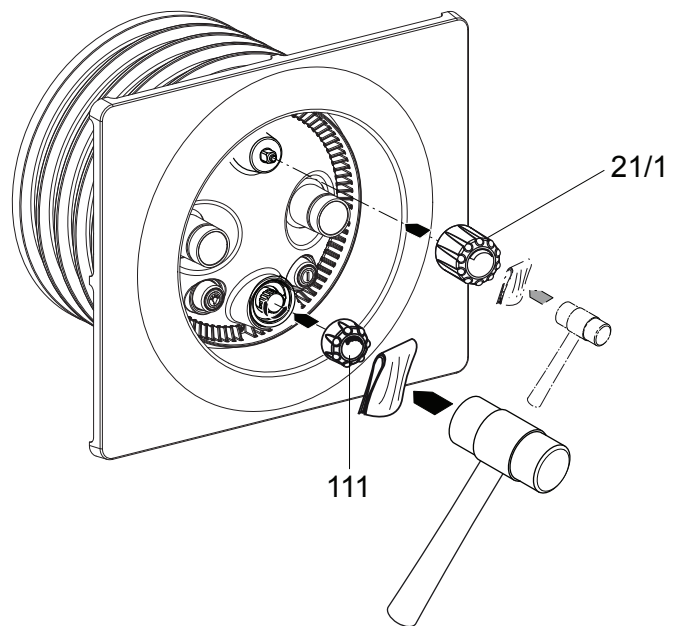


Figure 16  
Installation of Knobs

## Electrical Installation

**WARNING:** The wiring of the pool motor and control box should be done by a licensed electrician in accordance with all local, state, and federal codes. Be certain that the motor frame and control box are grounded. Motor name plate has voltage, phase, amp draw, and other motor information as well as wiring connection instructions.

This section concerns the electric motor, control box, and metal parts of the BaduJet super-sport.

**CAUTION:** Before installing the Speck Pump, read the entire pump owner's manual found in the pump box.

Consult local codes for minimum distance between pump and pool. Locate pump as close to the pool as practical.

**CAUTION:** There is 30 ft. of air tubing for the air buttons as well as 30 ft. of cable for the LED light included with the BaduJet super-sport. The control box should be installed within this distance of the jet housing. If a longer distance is required, please contact the factory regarding the use of smaller diameter air tubing.

**BONDING:** As required by the National Electrical Code, the electric pump motor must be electrically bonded to the pool structure (reinforced bars, etc.) by a solid copper conductor not smaller than No. 8 AWG. Bonding lugs are provided on the electric pump motor, stainless steel handles, and stainless steel cover. A 3ft length of 8 AWG insulated solid wire (10" of insulation stripped back) is provided with the swimjet.

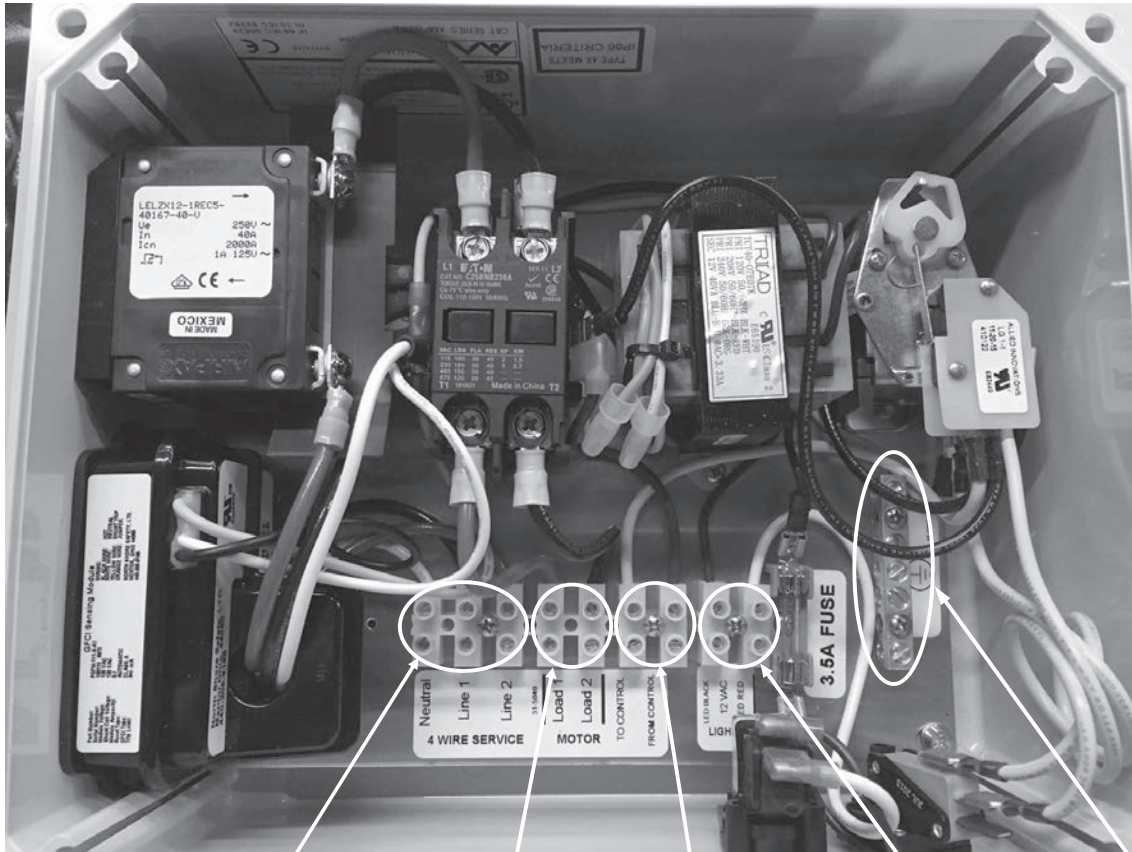
**CAUTION:** The strain relief **MUST** be completely tight around the bonding wire. The BaduJet super-sport II **WILL LEAK** if this strain relief is left loose!

## Electrical Installation - continued

**GROUNDING:** Permanently ground the pump motor and control box using a conductor of appropriate size.

- Pump Motor: Connect to the No. 10 green headed ground screw provided inside the motor terminal box.
- Control Box: Connect to the aluminum grounding terminal strip on the inside of the control box enclosure.

**CAUTION: DO NOT** connect to electric power supply until the unit is permanently grounded.



Power from main panel (230 VAC):  
Neutral, Line 1, Line 2

Power to pump motor (230 VAC):  
Load 1, Load 2

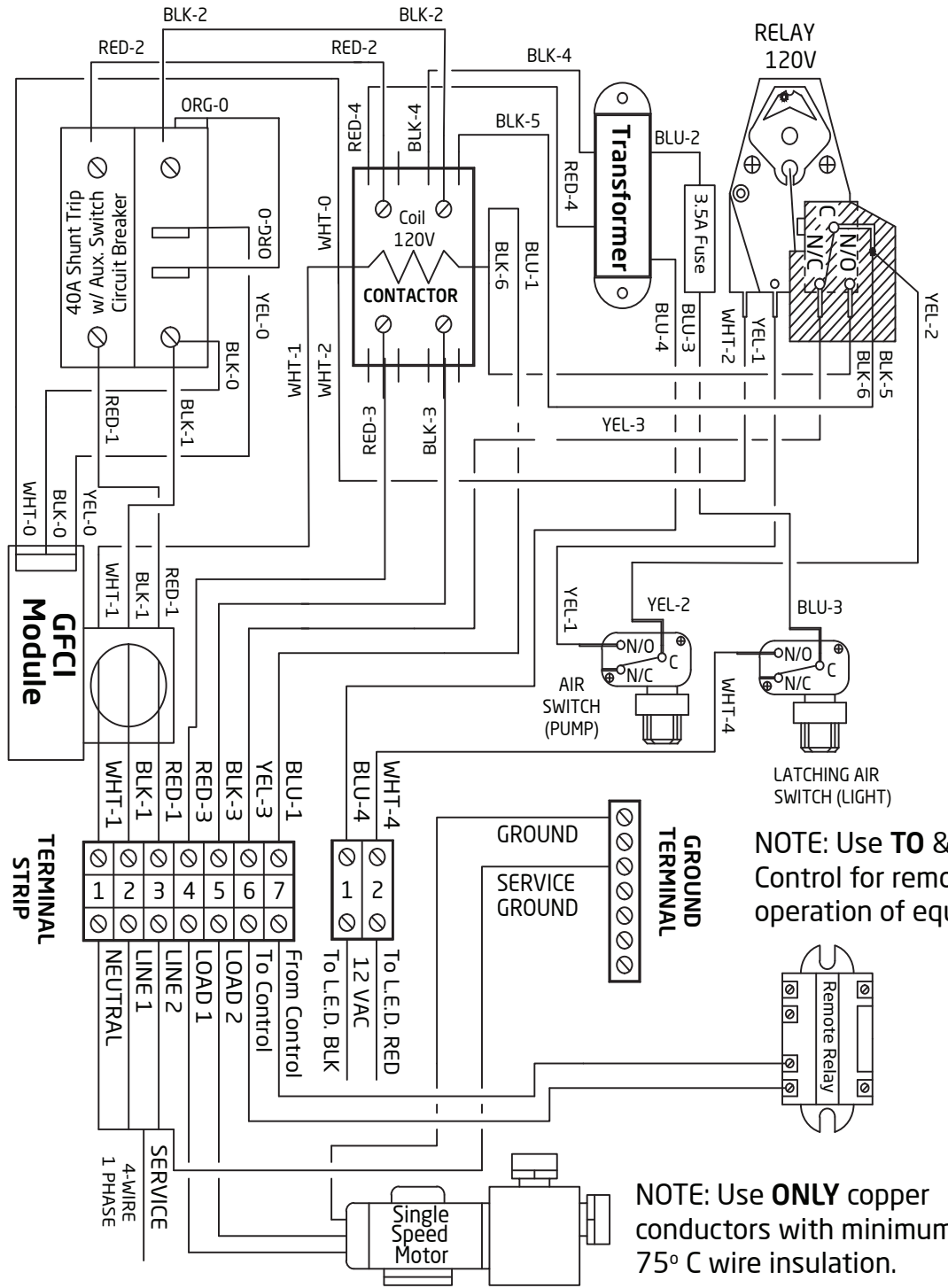
Connection to remote relay  
(120 VAC)

Connection to L.E.D Light  
(12 VAC)

Ground connections from  
main panel and pump motor

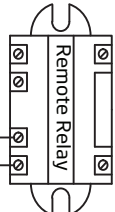
Figure 17  
Control Box Wiring Connections

# Electrical Installation - continued



TORQUE DATA	
Wire Range	Torque in.-lbs.
14-10 CU	7
8 CU	10

**NOTE: Use TO & FROM Control for remote operation of equipment.**



**NOTE: Use ONLY copper conductors with minimum 75° C wire insulation.**

### BJC RATING

1-Circuit 28 Amps
208-240 Volts
60 Hz, 1 Phase
4-Wire Service
GFCI Protected
ON/OFF Controls

07/03/2014

Figure 18  
Control Box Wiring Connections

# 4 Service and Maintenance

## Nozzle Adjustments

When setting the nozzles for basic swimming, it is recommended that you set the nozzles in such a way that each nozzle intersects 4 feet away while breaking the surface at the same time. To help set the nozzles in position for best performance, please follow these instructions:

1. Parts required:

- Quantity 2 - 4' x 1.5" PVC Pipe
- Quantity 2 - 1.5" MPT x 1.5"/1.25" Hose Adapter
- Quantity 2 - Female Adapter 1.5" Slip x 1.5" FPT

2. Turn OFF the jet pump(s).

3. Insert each jet adjustment tool into jet nozzle.

4. Bring the ends of the adjustment tools together so they are touching in between the jet housings. Then raise the tools together so the ends touch the water surface. (See Figure 19)

5. Remove jet adjustment tool.

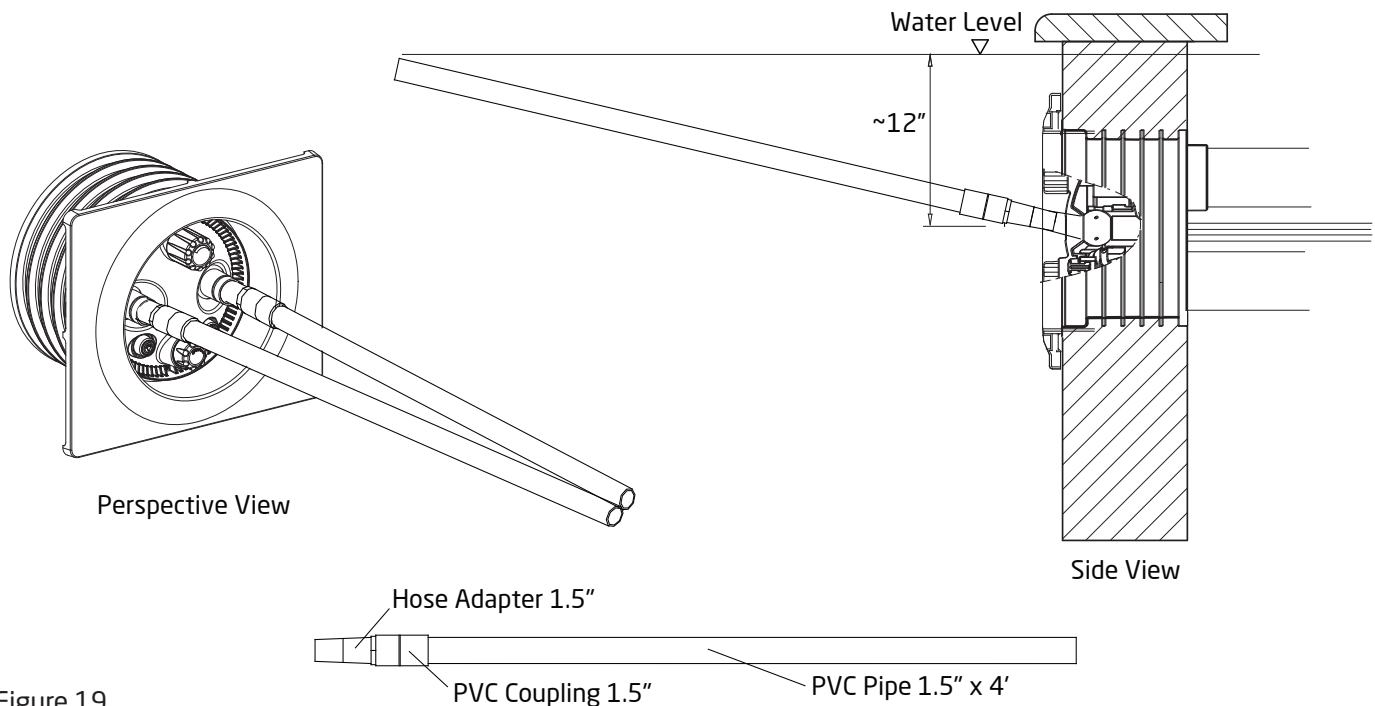


Figure 19  
BaduJet Nozzle Adjustment

---

## Winterizing

---

In areas subject to freezing water temperatures, you should protect your equipment. We recommend you purchase a winter cover kit part #2326000010K. This kit includes one (1) winter plate, one (1) gasket, four (4) M8 washers, and four (4) M8 x 30mm screws. (See Figure 20)

Also, you can protect your swimjet system as follows: Drain pool until water level has dropped below the anti-entrapment cover. (See Figure 21) Then protect pump by removing drain plug and red filler plug (if applicable).

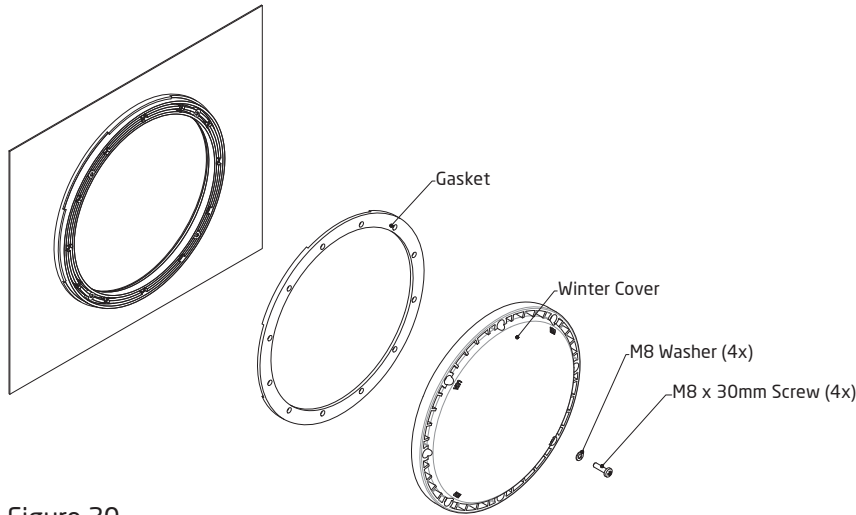


Figure 20  
Winter Cover Kit

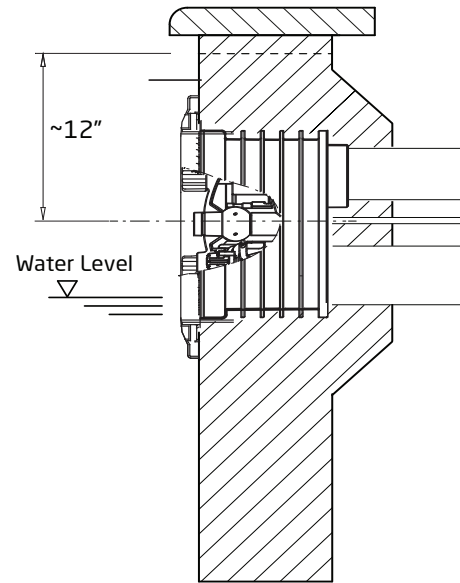


Figure 21  
Water Level when Winterizing

---

# 5 Frequently Asked Questions

---

## Frequently Asked Questions

---

### What size pool do I need?

The BaduJet super-sport can be installed in any size pool. However, we recommend a minimum length of 14' and a minimum width of a 7 ft. swimming lane.

### What size plumbing is necessary? How far away from the BaduJet super-sport can the pump be installed?

Use 4" plumbing up to 30 ft.. For runs longer than 30 ft. use 6" plumbing. The pump should be placed as close to the BaduJet super-sport as local codes will allow. See plumbing installation on page 7 for more details.

### How many amps does the pump operate at?

4.0 HP: Maximum 21.0 - 19.4 Amps @ 208-230 V

### What size breaker do I need?

You must use a 40 amp breaker for the 4 HP pump to avoid nuisance tripping.

### Is the BaduJet Super-sport approved?

Yes. The BaduJet Super-sport swim jet system is listed by MET and complies with ASME standard ANSI/ASME A112.19.8 (ANSI/APSP-16, 2011) Standard for Swim Jet Combination Fittings, and is VGB 2008 compliant.

---

## Frequently Asked Questions - continued

---

### Does the LED light come in different colors?

Yes. The LED light comes in blue or a multi-color option.

### Does it matter if the housing is installed higher or lower than the manual states?

Yes, the center of the jet must be 12" **BELOW** estimated water level for proper performance of unit. If installed too high, the pump will draw in air from the top of the water level. If installed too low, a good swim lane cannot be developed.

### Can the pump be placed below water level?

Yes. However, for best performance we recommend ordering a pump for flooded suction (Model 21-80/33G) instead of self-priming (Model 21-80/33GS). We recommend installing valves when installing below water level for ease of maintenance.

### Do I need to install a motor starter?

In most cases, no. All single phase pumps have built-in thermal overloads. Also, the three phase Model 21-80/33 has built-in thermal overload. Other three phase pumps require a motor starter.

### Should the swimjet system be tied into the filter system?

No. The swim jet system and the filter system should not be plumbed together as they each provide very specific functions.

### Can I use it with automated controls?

Yes. It comes with the ability to tie into automated control systems or other switching devices.

---

## Trouble Shooting

---

PROBLEM	POSSIBLE CAUSES	SOLUTION
1. Pump will not prime.	<ul style="list-style-type: none"> <li>a. Suction air leak.</li> <li>b. No water in pump.</li> <li>c. Closed valves or blocked lines.</li> <li>d. Low voltage to motor.</li> </ul>	<p>Make sure the red filler plug and o-ring are clean and properly positioned. Tighten red filler plug. Tighten all pipes and fittings on suction side of the pump. Be sure water in the pool is high enough to flow through the jet housing.</p> <p>Make sure pump housing is full of water.</p> <p>Open all valves in system. Open pump and check for clogging of impeller.</p> <p>Check voltage at motor. If low, pump will not come up to speed.</p>
2. Motor does not turn.	<ul style="list-style-type: none"> <li>a. No power to motor.</li> <li>b. Pump jammed.</li> </ul>	<p>Check that all power switches are on. Be sure fuse or circuit breaker is properly set. Check motor wiring at terminals.</p> <p>With power off, turn shaft. It should spin freely. If not, disassemble and repair.</p>
3. Low flow.	<ul style="list-style-type: none"> <li>a. No water in pump.</li> <li>b. Closed valves or blocked lines.</li> <li>c. Low voltage to motor</li> </ul>	See problem 1.
4. Noisy operation of motor.	<ul style="list-style-type: none"> <li>a. Bad bearings.</li> </ul>	Check for noise when shaft is turned by hand. Motor will be very hot in bearing area when running. Replace bearing.

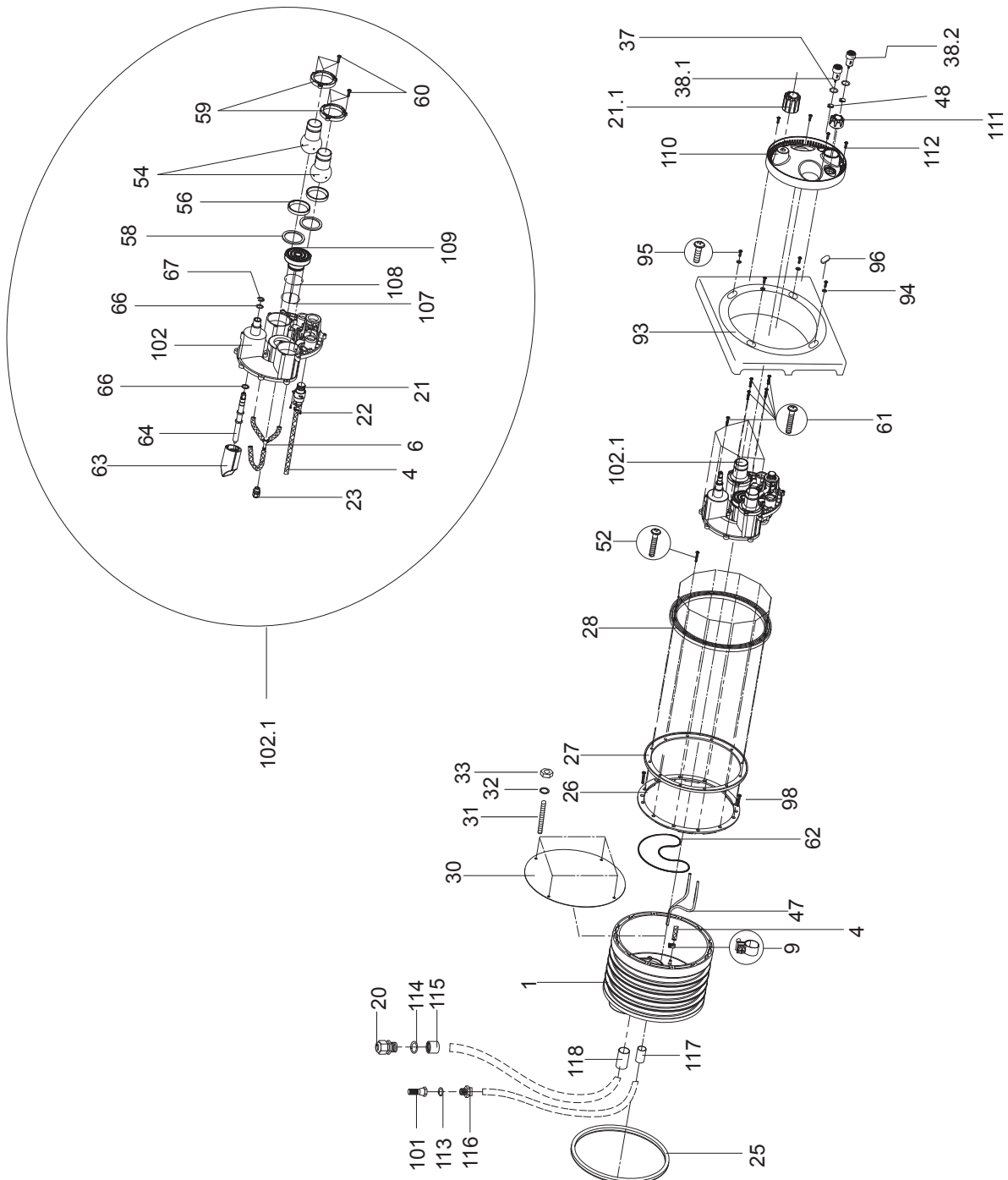
## Trouble Shooting - continued

PROBLEM	POSSIBLE CAUSES	SOLUTION
5. Motor runs hot.	These motors will run hot to the touch, however, this is normal. They are designed that way. Thermal overload protector will function to turn them off if there is an overload or high temperature problem. Excessive heat can be caused by:	
	a. Low voltage.	Increase size of electrical wire. Be sure motor is operating on correct voltage.
	b. Installed in direct sun.	Shield motor from sun's rays.
	c. Poor ventilation.	<b>DO NOT</b> block motor ventilation openings.
6. Noisy operation of pump.	a. Air leak in suction line.	Repair leak. Check suction pipe, red filler plug, and o-ring (See Problem 1).
	b. Restricted suction line due to blockage or under size pipe. Indicated by high vacuum reading at pump suction.	Remove blockage or increase suction pipe size. Are all suction valves fully open?
	c. Foreign matter (gravel, metal, etc.) in pump impeller.	Disassemble pump and remove foreign matter from impeller.
	d. Cavitation.	Improve suction conditions. (Reduce suction line length, reduce number of fittings, increase pipe size.)
7. Motor overload protection "kicks out".	a. Motor is not connected properly.	Check wiring diagram on motor.
	b. Low voltage due to under size wire or low incoming voltage.	Check with volt meter. Increase size of supply wire. Report low supply voltage to power company. Voltage at motor must be within 10% of motor nameplate voltage.
	c. Wrong size heaters in protective device.	Heaters should be one size larger than full load amps shown on motor nameplate.
	d. Overload due to binding in pump or wrong size impeller.	Indicated by high amperage readings on motor, binding shaft. Disassemble unit and correct.
8. The LED light is not working?	a. Moisture in air tubing or bad air button.	Remove air tubing from air switch at control box. Connect a short piece of air tubing to the L.E.D. air switch. Blow into tube and check if L.E.D. turns on/off.
	b. Control Box.	Contact certified electrician to diagnose control box components.
9. The volume control knob keeps spinning?	a. Broken Spindle.	Contact the factory 800-223-8538
10. My ON/OFF air button is not working properly?	a. Control Box.	Check GFCI. If green LED does not stay ON, contact a certified electrician to diagnose control box components.
	b. Air tubing.	Check air tubing connection on the control box. Check that the tubing is not bent or pinched. Tubing may need to be replaced.
11. The system will not turn OFF?	a. Control Box Components.	Press TEST button on the control box GFCI to turn off system. Contact a certified electrician to diagnose control box components.

## Trouble Shooting - continued

PROBLEM	POSSIBLE CAUSES	SOLUTION
12. I have the volume control knob turned completely up but the flow is weak?	a. Debris in pump casing/impeller. b. Improper swim jet assembly.	Check inside pump casing for any debris. The internals may need to be removed for inspection of the spindle.

# 6 Product Specification





## Exploded View

PART NUMBER	DRAWING NUMBER	QTY REQUIRED	DESCRIPTION
2326000002A	1	1	JET HOUSING
2301001007	4	3 FT	HOSE - AIR REGULATOR 8 x 3mm (PRICE PER FOOT)
2326000408	6	1	HOSE (3X) WITH Y- HOSE BARB
2301001008	9	2	CLAMP - HOSE, AIR REGULATOR 14/9 SS A4
2326000031	20	1	STRAIN RELIEF - LIGHT CABLE, 3/4" NPT
2321000409	21	1	AIR REGULATOR COMPLETE
2326000006	21.1	1	VOLUME CONTROL KNOB
5879812996	22	3	SCREW - AIR REGULATOR, 2.9 x 9.5
5882501619	23	1	STRAIN RELIEF - LIGHT CABLE, M16 x 1.5
2326000020	25	1	ROUND SEALING CORD
2301000026	26	1	GASKET WITH KNOBS - JET HOUSING
2326000021	27	1	GASKET - CLAMPING RING
2301000028	28	1	RING - CLAMPING
2301000030	30	1	GUNITE COVER
5805510880	31	4	STUD - GUNITE COVER M8 x 80mm
5809021080	32	4	WASHER - GUNITE COVER M8
5879340800	33	4	NUT - STUD - GUNITE COVER M8 A2
2326000014	37	2	O-RING PNEUMATIC BUTTONS 24 x 3mm
2321000401	38.1	1	PNEUMATIC BUTTON COMPLETE - PUMP
2321000404	38.2	1	PNEUMATIC BUTTON COMPLETE - LIGHTS
2300202060	47	2	AIR TUBING - LIGHT/PUMP 4 x 1.5mm (PRICE PER 10M)
2302001046	48	2	CLAMP - HOSE, PNEUMATIC BUTTON 6.8 - 8mm
5879860830	52	12	SCREW - CLAMPING RING, POZIDRIV/PAN M8 x 30mm A4
2302002954	54	2	NOZZLE - 40mm
2302002056	56	2	SEAT - NOZZLE
2302002057	58	2	SPACER - NOZZLE 6.2mm
2319800817	59	2	NOZZLE FLANGE
5879006023	60	6	TAPPING SCREW - BALL NOZZLE FLANGE, 6 x 22mm A4
5879006023	61	10	TAPPING SCREW - NOZZLE HOUSING, 6 x 22mm A4
2326000013	62	1	O-RING - NOZZLE HOUSING 257 x 3mm
2326000004	63	1	VOLUME CONTROL CYLINDER
2303002964	64	1	VOLUME CONTROL SPINDLE (COMPLETE)
2302002065	66	2	WASHER - VOLUME CONTROL SPINDLE, 23 x 16.2 x1.5mm
2302002067	67	1	RETAINER - SHAFT, VOLUME CONTROL SPINDLE
2302005236	93	1	COVER - RECTANGULAR
5871250800	94	4	WASHER - RECTANGULAR COVER 8.4mm A4
5879860820	95	4	BOLT - RECTANGULAR COVER, PHILLIPS M8 x 20mm
5879860880	95.1	4	BOLT - RECTANGULAR COVER, PHILLIPS M8 x 80mm
2302005237	96	4	PLUG - RECTANGULAR COVER
2991000140	98	2	SCREW - COUNTERSUNK PHILLIPS M8 x 30mm
5030000105	101	1	VALVE - CHECK 1/2"
2326000003	102	1	HOUSING - NOZZLE
2326000402	102.1	1	HOUSING - NOZZLE COMPLETE
3932541201	107	1	O-RING - LIGHT 48 x 2mm
2607101019	108	1	O-RING - LIGHT 49 x 3.5mm
2326000037	109	1	LIGHT LED 12V AC - WHITE, 10M
2326000005	110	1	LIGHT COVER
2321000022	111	1	AIR REGULATOR KNOB
5879006023	112	4	TAPPING SCREW - LIGHT COVER, 6 x 22mm A4
2920141230	113	1	O-RING - CHECK VALVE, 19 X 3mm
2326000032	114	1	O-RING - STRAIN RELIEF
2326000034	115	1	ADAPTOR - STRAIN RELIEF, FEMALE, PVC 3/4"
2301001030	116	1	ADAPTOR - CHECK VALVE, MALE, PVC 1/2"
5862432021	117	1	CONNECTOR - AIR REGULATION LINE M20 x 1/2"
5862432531	118	1	CONNECTOR - CONDUIT M25 x 3/4"
2920280729	NOT SHOWN	1	CONTROL BOX BJC-7-GFCI+CP SSII

### OPTIONAL PARTS

2326000036	109.1	1	LIGHT LED 12V AC - MULTICOLOR, 10M
2326000038	109.2	1	LIGHT LED 12V AC - BLUE, 10M
2326000010K	NOT SHOWN	1	WINTER COVER KIT
2300003000	NOT SHOWN	1	MESSAGE HOSE 5 FT. WITH PULSATOR
2300003006	NOT SHOWN	1	MESSAGE HOSE 15 FT. WITH PULSATOR
2300022000	NOT SHOWN	1	CAP - NOZZLE, CLOSE OFF

---

# 7 Limited Warranty

---

Speck Pumps-Pool Products, Inc. grants solely to the original consumer purchaser ("Buyer") of the Badu® SwimJet System(s) the following personal, non-transferable and limited warranty on the following terms and conditions (the "Limited Warranty"): the Badu SwimJet System(s) is warranted to be free of material defects in materials or workmanship under normal use for a period of one (1) year beginning on the date of the Buyer's purchase of the Badu SwimJet System(s) (the "Limited Warranty Period"). Notwithstanding any provisions herein to the contrary, the warranties and obligations hereunder shall not in any event extend for more than two (2) years beyond the date of shipment of the Badu SwimJet System(s) from the factory (the "Limited Warranty Period"). The Limited Warranty is subject to each of the following additional terms and conditions:

**1. IN THE EVENT OF ANY BREACH OF THE LIMITED WARRANTY, SPECK PUMPS-POOL PRODUCTS, INC.'S ENTIRE OBLIGATION AND LIABILITY TO BUYER, AND BUYER'S SOLE AND EXCLUSIVE REMEDY SHALL BE AS FOLLOWS:**

Speck Pumps-Pool Products, Inc. will, at its option, either repair or replace the Badu SwimJet System(s) or refund to Buyer the purchase price actually paid by Buyer for the Badu SwimJet System(s) subject to the Limited Warranty. Speck Pumps-Pool Products, Inc. shall have no obligations under the Limited Warranty unless Buyer delivers timely written notice to Speck Pumps-Pool Products, Inc. of the Limited Warranty claim within the Limited Warranty Period and returns the Badu SwimJet System(s) to Speck Pumps-Pool Products, Inc. if requested. To the fullest extent permitted by law, Speck Pumps-Pool Products, Inc. expressly disclaims any liability for, and the Limited Warranty does not include or cover, any labor, costs or other expenses in connection with the removal, transportation, shipment, insurance, replacement, repair, or installation of repaired or replaced parts or for any other costs or expenses or damages to property or things including, but not limited to, those arising in connection with the use of, or inability to use, the Badu SwimJet System(s).

2. To the fullest extent permitted by law, the Limited Warranty will be void and of no force or effect and Speck Pumps-Pool Products, Inc. will have no liability, responsibilities or obligations to Buyer or with respect to the Badu SwimJet System(s) in the event of the occurrence of any one or more of the following:

- (a) Any damage to the Badu SwimJet System(s) caused by Buyer, any third party, ground movement, other natural forces, acts of God or any other sources or causes not arising from a breach of the Limited Warranty, excluding ordinary wear and tear;
- (b) Any replacement, modification, alteration or repair of any parts or components of the Badu SwimJet System(s) by anyone other than Speck Pumps-Pool Products, Inc.;
- (c) Any abuse, misuse, accident, tampering with, improper installation or modification of the Badu SwimJet System(s) or any other actions, inactions or failures to act that violate the terms and conditions of this Limited Warranty;
- (d) Buyer's failure or inability to present an invoice, bill, receipt or other documentation clearly evidencing that the Badu SwimJet System(s) was installed and maintained in strict compliance with this Limited Warranty and that the claim was timely submitted within the Limited Warranty Period; and/or
- (e) Buyer's failure to comply with the conditions and contingencies set forth in paragraph 3 below.

3. The Limited Warranty is expressly conditioned and contingent upon Buyer's strict compliance with each of the following:

- (a) Installation of the Badu SwimJet System(s) by an experienced and qualified pool industry professional and a licensed electrician who is licensed within the jurisdiction in which the Badu SwimJet System(s) is installed and will be used; and
- (b) Buyer's operation and maintenance of the Badu SwimJet System(s) in strict accordance with Speck Pumps-Pool Products, Inc.'s printed operator/maintenance manuals delivered with the Badu SwimJet System(s).

**4. DISCLAIMER: THE LIMITED WARRANTY IS THE ONLY WARRANTY MADE AND IS IN LIEU OF ALL OTHER WARRANTIES, AND ANY AND ALL IMPLIED WARRANTY OR CONDITION OF MERCHANTABILITY, THE IMPLIED WARRANTY AGAINST INFRINGEMENT, AND THE IMPLIED WARRANTY OR CONDITION OF FITNESS FOR A PARTICULAR PURPOSE ARE EXPRESSLY LIMITED IN THEIR SCOPE AND DURATION TO THE ONE YEAR TERM OF THE LIMITED WARRANTY SET FORTH HEREIN. SOME STATES DO NOT ALLOW LIMITATIONS ON HOW LONG AN IMPLIED WARRANTY LASTS, SO THE ABOVE LIMITATION MAY NOT APPLY TO THE BUYER.**

---

## Limited Warranty - continued

---

**5. TO THE FULLEST EXTENT PERMITTED BY LAW, IN NO EVENT SHALL SPECK PUMPS-POOL PRODUCTS, INC. OR ITS OFFICERS, DIRECTORS, EMPLOYEES, SHAREHOLDERS, AGENTS, OR REPRESENTATIVES BE LIABLE FOR ANY SPECIAL, INDIRECT, INCIDENTAL, EXEMPLARY OR CONSEQUENTIAL DAMAGES OR LOSS, INCLUDING TIME, MONEY, GOODWILL, AND LOST PROFITS IN ANY WAY WHICH MAY ARISE HEREUNDER OR FROM THE USE OF OR INABILITY TO USE THE BADU SWIMJET SYSTEM(S) OR THE PERFORMANCE OR NONPERFORMANCE OF ANY OBLIGATION UNDER THIS LIMITED WARRANTY. THIS PARAGRAPH, THE WARRANTY DISCLAIMERS IN PARAGRAPH 4 ABOVE, AND THE SOLE AND EXCLUSIVE REMEDY SET FORTH IN PARAGRAPH 1 ABOVE SHALL APPLY EVEN IF SPECK PUMPS-POOL PRODUCTS, INC. HAS BEEN NOTIFIED OF THE POSSIBILITY OR LIKELIHOOD OF SUCH DAMAGES OCCURRING, WHETHER SUCH LIABILITY IS BASED ON CONTRACT, TORT, NEGLIGENCE, STRICT LIABILITY, PRODUCTS LIABILITY OR OTHERWISE, AND EVEN IF ANY REMEDY STATED HEREIN FAILS OF ITS ESSENTIAL PURPOSE. SOME STATES DO NOT ALLOW THE EXCLUSION OR LIMITATION OF SPECIAL, INDIRECT, INCIDENTAL, EXEMPLARY OR CONSEQUENTIAL DAMAGES OR LOSS, SO THE ABOVE EXCLUSIONS AND LIMITATIONS MAY NOT APPLY.**

6. This Limited Warranty gives the Buyer specific legal rights, and the Buyer may also have other rights, which vary from state to state.

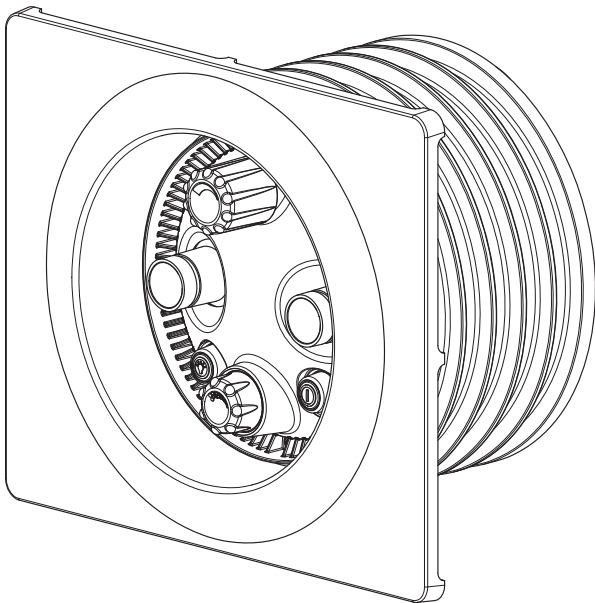
7. A return merchandise authorization ("RMA") must be obtained from Speck Pumps-Pool Products, Inc. before returning any product. Products returned without an RMA will be refused and returned, unopened, to the Buyer. All returned products are to be sent freight prepaid and insured for Buyer's protection to the manufacturer at 8125 Bayberry Road, Jacksonville, Florida 32256 USA. Under no condition will products be accepted after the expiration of the Limited Warranty Period. Speck Pumps-Pool Products, Inc. shall not bear any costs or risks incurred by Buyer in shipping a defective Badu SwimJet System(s) to Speck Pumps-Pool Products, Inc. or in shipping a repaired or replaced Badu SwimJet System(s) to Buyer.



ES Manual de Instalación

# BADU<sup>®</sup> JET super-sport II

Sistema de Nado Contra Corriente



## Soporte Técnico:

**Dirección:** Speck Pumps  
8125 Bayberry Road  
Jacksonville, FL. 32256  
USA

**Horario:** (Lunes - Viernes) 8:00 am a 5:00 pm EST

**Teléfono Gratuito:** 800-223-8538  
*(en los Estados Unidos)*

**Teléfono:** 904-739-2626

**Fax:** 904-737-5261

**Sitio Web:** [www.usa.speck-pumps.com](http://www.usa.speck-pumps.com)

**Email:** [technical.usa@speck-pumps.com](mailto:technical.usa@speck-pumps.com)

<b>Fecha de Instalación:</b>	
<b>Instalado por:</b>	
<b>Número de Serie:</b>	
<b>Para Llamada de Servicio:</b>	

*Fabricado por Speck Pumps, Jacksonville Florida USA, ©2017 Todos los derechos reservados.*

Este documento está sujeto a cambios sin aviso.

# ÍNDICE

<b>1</b>	<i>Instrucciones Importantes de Seguridad</i>	<b>32</b>
	Accesorio de combinación SwimJet - Advertencias de los fabricantes . . . . .	32
	Instrucciones Generales de Seguridad . . . . .	33
<b>2</b>	<i>Descripción General</i>	<b>35</b>
<b>3</b>	<i>Información de la Instalación</i>	<b>35</b>
	Información de Recepción . . . . .	35
	Instalación de Tubería . . . . .	36
	Nueva Instalación de Gunita u Hormigón . . . . .	38
	Instalación de Gunita u Hormigón Existente . . . . .	41
	Instalación de Piscinas de Fibra de Vidrio y/o Revestimiento . . . . .	42
	Montaje Final . . . . .	44
	Instalación Eléctrica . . . . .	46
<b>4</b>	<i>Servicio y Mantenimiento</i>	<b>48</b>
	Ajustes de boquilla . . . . .	48
	Preparación para el invierno . . . . .	48
<b>5</b>	<i>Preguntas Más Comunes</i>	<b>49</b>
	Preguntas Más Comunes . . . . .	49
	Resolución de Problemas . . . . .	50
<b>6</b>	<i>Especificaciones del Producto</i>	<b>52</b>
	Piezas de repuesto y Vista Despiezada . . . . .	52
<b>7</b>	<i>Garantía Limitada</i>	<b>54</b>

## Certificaciones del Badu®Jet super-sport //



Cumple con UL 1563  
CSA C22.2 No. 218.1-M89  
Equipos para piscinas  
Enumerado #E212148



VGB 2008

---

# 1 Instrucciones Importantes de Seguridad

---

**ADVERTENCIA:** Antes de instalar este producto, lea y siga todas las notas de advertencia e instrucciones que están incluidas. La falla en seguir las advertencias de seguridad e instrucciones pueden derivar en lesiones graves, la muerte o daños materiales. Llame al (800) 223-8538 o visite [www.usa.speck-pumps.com](http://www.usa.speck-pumps.com) para copias adicionales de estas instrucciones.

---

## Accesorio de combinación Swim Jet - Advertencias de los fabricantes

---

**DEBE SER INSTALADO SOLAMENTE** por un profesional de la industria de piscinas experimentado y calificado.

**Atención Instalador:** Este manual contiene información importante de la instalación, operación y uso seguro del producto. Esta información debe ser entregada al propietario y/u operador de este equipo. La mayoría de los códigos estatales y locales regulan la construcción, instalación y funcionamiento de piscinas y spas. Es importante cumplir con estos códigos, muchos de los cuales regulan la instalación y uso de este producto.

1. **NO** coloque este accesorio en zonas de descanso o en la parte trasera de dichas zonas.
2. Este accesorio debe ser montado en la pared vertical de la piscina solamente pro las instrucciones del fabricante.
3. Todos los accesorios y sujetadores deben ser examinados por daños y alteración antes de cada uso.
4. Cualquier accesorio perdido, roto o rajado debe ser reemplazado antes de usar este producto. Solamente piezas de reemplazo Speck genuinas pueden ser utilizadas.
5. Los tamaños aceptables de accesorios/tuberías están listados en la página 36 de este manual. **NO** se permiten otros tamaños.
6. Nunca exceder el caudal máximo establecido en este producto.
7. La cubierta anti-atrapamiento debe estar colocada cuando se use este producto. **NO** usar este producto si la cubierta está perdida, rota o floja.
8. La cubierta anti-atrapamiento (parte #93.1) debe ser sustituida dentro de 10 años desde la fecha de instalación.
9. La instalación requiere un destornillador Philips. Ajustar únicamente a mano. **NO** usar taladros eléctricos o de aire.
10. Consultar a su médico antes de ejercitar con el Badu®Jet super-sport II o usar la manguera de masaje.
11. **NO** permitir que chicos usen este producto a menos que estén estrechamente supervisados en todo momento.
12. **NO** retirar ninguna etiqueta de alerta de seguridad como **PELIGRO, ADVERTENCIA** o **PRECAUCIÓN**. Mantener las etiquetas de alerta de seguridad en buenas condiciones y reemplazar etiquetas perdidas o dañadas.
13. Mantenerse alerta, mirar lo que está haciendo y usar el sentido común. **NO** usar la unidad si está cansado y/o exhausto. **NO** usar la unidad bajo la influencia de drogas, alcohol o cualquier medicamento.
14. **PRECAUCIÓN: NO** aumentar el tamaño de la bomba; esto incrementará el caudal a través del sistema y excederá el caudal máximo establecido en este producto.



---

## Accesorio de combinación Swim Jet - Advertencias de los fabricantes - Continuación

---

**LA INSTALACIÓN O USO INADECUADO DE ESTE PRODUCTO PUEDE OCASIONAR UN RIESGO DE ATRAPAMIENTO DEL CUERPO O PELO Y AHOGO.** Instalar este equipamiento de acuerdo con las instrucciones proporcionadas.

Como el fabricante, Speck Pumps-Pool Products, Inc., certifica que su Accesorio de combinación Swim Jet cumple o supera los requisitos de la Ley Virginia Graeme Baker de seguridad en Piscinas y Spas, normas y reglamentos de seguridad VGB 2008 and ANSI/ APSP 16-2011 establecidas por la Comisión de Seguridad de Productos de Consumo.

**“Leer, y luego seguir estas instrucciones para referencia futura”**

---

### Instrucciones Generales de Seguridad

---

Las siguientes pautas proporcionan información para minimizar el riesgo de lesiones a los usuarios de piscinas, spas e hidromasajes.

**PELIGRO:** PARA REDUCIR EL RIESGO DE AMENAZA DE ATRAPAMIENTO



Las bombas de piscinas y spas producen altos niveles de succión, que pueden generar un peligro extremo si una persona se acerca al drenaje abierto de la piscina o spa o si la tapa del drenaje esta floja, agrietada, rota o perdida. Las bombas de piscinas y spas mueven grandes volúmenes de agua, lo que puede suponer un PELIGRO extremo si el pelo de una persona se acerca a un drenaje que no es del tamaño adecuado para la bomba o bombas.

Se deben instalar como mínimo dos desagües de succión funcional por bomba. Los desagües en el mismo plano (es decir suelo o pared) deben estar instalados a una distancia mínima de tres (3) pies (1 metro), medidos desde el punto central al punto central. Los accesorios de succión doble no deben estar colocados en las áreas de descanso o en el respaldo de dichas áreas. Si algunos desagües de succión están situados cerca, deben estar colocados en dos planos diferentes (es decir, uno en el fondo y otro en la pared vertical, o cada uno en dos paredes verticales separadas).

**ADVERTENCIA:** si no se mantienen los componentes del desagüe de succión libre de escombros, tales como hojas, suciedad, pelo, papel y otros materiales puede ocasionar un potencial mayor de succión de atrapamiento.

Sin un desagüe individual aprobado y no bloqueable, en el caso de que un desagüe de succión este completamente bloqueado, los restantes desagües de succión que alimentan al sistema deben tener una capacidad de flujo de todo el caudal de la bomba(s) o del sistema de succión específico. Si duda de la capacidad y/o proceso de pérdida de carga de su sistema, consulte a un profesional calificado en piscinas o spas y/o al fabricante(s) de su respectivo equipo. Además, verifique con sus autoridades locales de construcción/salud respecto de instalaciones de desagüe individual o múltiple, etc.

Inspeccionar regularmente todas las tapas de desagüe en busca de grietas, daños y desgaste avanzado. Si una tapa de desagüe se afloja, daña, rompe o se pierde, cierre la piscina o spa inmediatamente, coloque un aviso y mantenga la piscina o spa cerrada/o hasta que una tapa de desagüe certificada apropiadamente por VGB 2008 sea instalada correctamente.

---

## Instrucciones Generales de Seguridad - Continuación

---

### VELOCIDAD DEL AGUA Y CAPACIDADES DE FLUJO

La velocidad máxima del agua a través de las tapas de desagüe está limitada por algunas regulaciones locales, por ejemplo, algunos departamentos de salud estatales limitan la velocidad a través de las tapas de desagüe de piscinas públicas a 1.5 pies por segundo. Este límite de velocidad es inferior a la capacidad de flujo proporcionada por la certificación 16 ANSI/APSP; por lo tanto, se aplica el límite local y debe ser respetado. Nunca exceder la capacidad de flujo que aparece en la tapa incluso si el código local no provee un límite de velocidad.

Para más información sobre la correcta instalación consulte a la Asociación de Profesionales de Piscina y Spa ANSI/APSP- Estándar 7 y a las Pautas de la Comisión de Seguridad de Consumo de Producto US por riesgo de atrapamiento.

### Cumplimiento de la VGB - LA LEY DE SEGURIDAD EN PISCINAS Y SPAS VIRGINIA GRAEME BAKER

La Ley de Seguridad en Piscinas y Spas Virginia Graeme Baker plantea ciertos nuevos requisitos a los propietarios y operadores de piscinas y spas.

Piscinas o spas construidas a partir del 19 de diciembre del 2008, deberán utilizar:

- (A) Ningún desagüe de succión sumergido, un sistema de desagüe por gravedad con tapa/s ASME/ANSI, de uno o más desagües no bloqueables; o
- (B) Un sistema de desagüe principal múltiple sin poder de aislamiento con tapas de desagüe de succión que cumplan con ASME/ ANSI A112.19.8 Accesorios de Succión para usar en Piscinas de Natación, Piscinas para Niños, Spas e Hidromasajes y:
  - (i) Un sistema de seguridad de liberación del vacío (SVRS) que cumpla la norma ASME / ANSI A112.19.17, sistemas de seguridad de liberación del vacío (SVRS) para piscinas residenciales y comerciales, spas, bañeras de hidromasaje, sistemas de succión de piscinas infantiles y especificación de la norma ASTM F2387 para sistemas de seguridad de liberación del vacío (SVRS) para piscinas, spas y bañeras de hidromasaje, o
  - (ii) Un sistema de ventilación que limite la succión adecuadamente diseñado y probado o
  - (iii) Una bomba automática con sistema de apagado.

Las piscinas y spas construidas antes del 19 de diciembre del 2008, con un solo desagüe de succión sumergido deberá usar una tapa de desagüe de succión que cumpla con ASME/ANSI A112.19.8 y:

- (A) Un sistema principal de desagüe múltiple sin poder aislamiento, o un desagüe de succión simple no bloqueable (conforme con VGB 2008), o
- (B) Un sistema de seguridad de liberación de vacío (SVRS) cumpliendo con ASME/ANSI A112.19.17 y/o ASTM F2387, o
- (C) Un sistema de ventilación que limite la succión adecuadamente diseñado y probado, o
- (D) Una bomba automática con sistema de apagado, o
- (E) Desagües sumergidos deshabilitados, o
- (F) Desagües de succión deberán ser reconfigurados en boquillas de impulsión.

Para más información sobre la Ley Virginia Graeme Baker de Seguridad en Piscinas y Spas, contactarse con la Comisión de Seguridad de Consumo de Producto al (301) 504-7908 o visite el sitio web [www.cpsc.gov](http://www.cpsc.gov).

---

## Instrucciones Generales de Seguridad - Continuación

---

### **ADVERTENCIA - Riesgo de descarga eléctrica o electrocución**



La bomba de piscina debe ser instalada por electricista con licencia o certificado o un técnico en piscinas calificado de acuerdo con el Código Eléctrico Nacional y todos códigos y ordenanzas locales aplicables. La instalación inadecuada creará un peligro eléctrico que puede ocasionar la muerte o lesiones graves a los usuarios de piscinas, instaladores, u otros debido a una descarga eléctrica, y también podría causar daños materiales.

**Desconecte siempre la energía a la bomba de piscina en el disyuntor antes de reparar la bomba.** De no hacerlo, podría provocar la muerte o lesión grave al técnico, usuarios de la piscina, u otros debido a una descarga eléctrica.

---

## 2 Descripción General

---

Los sistemas Badu SwimJet de Speck Pumps están diseñados para ser instalados durante la construcción de su piscina para crear una cinta acuática para cualquiera que quiera ejercicio terapéutico y efectivo. El BaduJet super-sport II puede ser instalado en cualquier tipo de piscina, grande o chica, desde gunita a revestimiento de vinilo. La unidad autónoma y empotrada es un sistema de propulsión a chorro que bombea agua en la piscina creando una corriente de más de 5.700 galones por minuto desde una única carcasa de chorro empotrada. Rematando la experiencia es la manguera de masaje de pulso la que puede estar unida a las boquillas de chorro para tratamientos de masajes fáciles y convenientes para articulaciones y músculos.

---

## 3 Información de la Instalación

---

### **Información de Recepción**

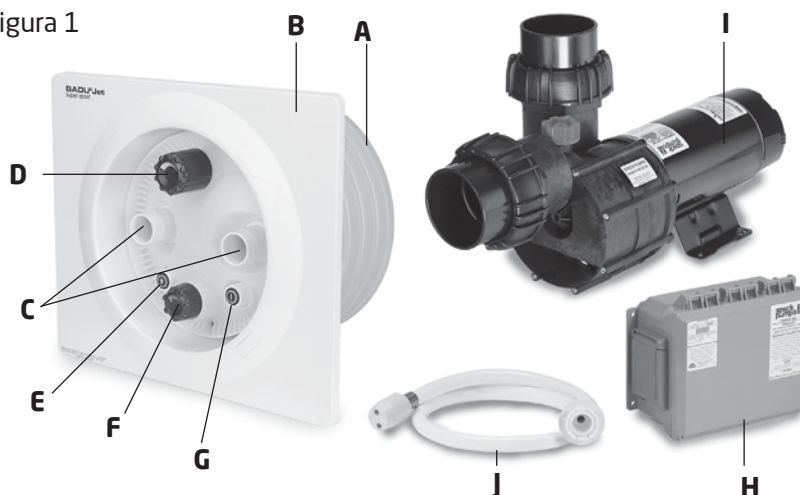
---

1. Tras recibir el sistema swimjet, verificar las cajas en busca de daños. Abrir cada caja y controlar la bomba(s), la carcasa(s) de chorro, y la caja de control en busca de daños ocultos, tales como grietas, abolladuras, o una base curvada. Si se encuentra algún daño, contactarse con el expedidor o distribuidor donde se adquirió el swimjet.
2. Inspeccionar los contenidos de cada caja y verificar que todas las piezas estén incluidas. (Ver Figura 1)
  - A. Carcasa de chorro empotrada
  - B. Cubierta anti-atrapamiento rectangular (20" x 17") para la succión de la bomba indetectable.
  - C. Boquillas de chorro
  - D. La perilla de control de volumen de agua ajusta la cantidad de flujo de agua a través de las boquillas de chorro
  - E. El botón ON/OFF de la luz enciende o apaga la luz LED de baja tensión y garantiza una separación eléctrica completa entre el agua de la piscina, el motor de la bomba y la caja de control.
  - F. La perilla del regulador de aire ajusta la cantidad de burbujas de aire en el flujo de agua.
  - G. El botón ON/OFF del sistema enciende o apaga el sistema SwimJet y garantiza una separación eléctrica completa entre el agua de la piscina, el motor de la bomba y la caja de control.

## Información de Recepción - Continuación

- H. Caja de control completa con GFCI, interruptores de aire, y tubo de aire
- I. Bomba de plástico autocebante de una sola fase Speck 4 HP Modelo 21-80/33GS con sobrecarga térmica incorporada (no requiere arrancador de motor). Bomba de tres fases opcional y caja de control disponibles. (NOTA: Bomba de succión inundada disponible para instalación por debajo del nivel del agua.)
- J. Manguera de masaje pulsante - 5 pies de longitud

Figura 1



## Instalación de Tubería

**PRECAUCIÓN:** La conexión de descarga en la parte posterior de la carcasa del chorro debe estar situada directamente **ARRIBA** de la conexión de succión.

**PRECAUCIÓN:** La línea de succión debe mantenerse por debajo del nivel de agua desde la conexión de succión en la carcasa de chorro a un punto directamente debajo de la bomba.

**PRECAUCIÓN:** El centro de las boquillas del BaduJet super-sport II (línea central de la carcasa de la boquilla) debería estar ubicado 12" **DEBAJO** de la línea de agua para un rendimiento y eficiencia máxima.

**PRECAUCIÓN:** En áreas donde el suelo sea blando o con frecuentes movimientos de tierra, una sección flexible de la manguera de 4" debería estar instalada en la parte trasera de la carcasa de chorro para prevenir daños en la plomería o carcasa de chorro.

**PRECAUCIÓN:** Para cebar la bomba sin problemas (hasta 4 pies por encima de la línea de agua), instale primero un elevador de 6" de largo en la conexión de descarga arriba de la bomba. A continuación, instale un codo y lleve la línea(s) de descarga hacia abajo a la conexión de descarga en la carcasa de chorro del BaduJet super-sport II.

**PRECAUCIÓN:** Dejar al menos 12 horas como tiempo de curado y adherencia. Un tiempo de curado y adherencia insuficiente puede provocar fugas e inundaciones.

**PRECAUCIÓN:** A lo largo de toda la instalación, asegúrese de que la tubería conectada a la carcasa de chorro del BaduJet super-sport II esté bien apoyada. La tubería sin apoyo **QUEBRARÁ** la carcasa de chorro.

**PRECAUCIÓN: NO** usar la bomba como punto fijo (apoyo) para la tubería.

**PRECAUCIÓN:** Cuando utilice una tubería de 6", instale bujes reductores de 6" x 4" en **las conexiones de descarga y la succión de la carcasa de chorro**. La línea de succión de 6" se debería ejecutar desde la carcasa de chorro y mantenerse bajo la línea de agua a un punto directamente debajo de la bomba. Instale un codo de 6" en ese punto. A continuación, ejecute la tubería de 4" verticalmente hasta la conexión de succión de la bomba y termine con un codo de 4".

- Para un rendimiento óptimo, use cañerías de 4" cuando la distancia total entre la bomba y la carcasa de chorro es de 30 pies o menos. La cañería debe ser lo más directa y libre de vueltas y curvas posible porque los **codos y otros accesorios pueden crear grandes pérdidas de fricción y reducir el rendimiento del sistema. Se debe usar la longitud más corta de tubería con el número mínimo de conexiones posibles para evitar cualquier pérdida significativa de fricción debido a la tubería y los accesorios.** NOTA: Consulte la figura 2 para ver la curva de pérdida de carga del BaduJet super-sport II.
- Se puede usar un máximo de siete (7) codos de 90° con 30 pies de tubería horizontal de 4" para la línea de succión y 30 pies de tubería horizontal para la línea de descarga sin afectar negativamente el rendimiento del sistema.

## Instalación de Tubería - Continuación

- Si para la instalación se requieren más "codos", se deben usar curvas de 4" en lugar de los codos. Cuando se utiliza curvas en lugar de codos, se puede usar un máximo de nueve (9) curvas de 4" con 30 pies de tubería horizontal de 4" para la línea de succión y 30 pies de tubería horizontal de 4" para la línea de descarga sin afectar negativamente el rendimiento del sistema.
- Si no se puede ubicar la bomba dentro de los 30 pies de la carcasa de chorro utilizando la cantidad máxima de codos o curvas de 4" indicadas anteriormente, entonces se debe utilizar tuberías de 6". Para la línea de succión, utilice tuberías y accesorios de 6" desde la conexión en la carcasa de chorro hasta un punto directamente debajo de la bomba. A partir de ese punto, instale un codo de 6". A continuación, coloque una tubería vertical de 4" hasta la conexión de succión de la bomba y termine con un codo de 4". Para la línea de descarga, se debe instalar una tubería de 6" desde la conexión de descarga de la bomba hasta el final de la conexión de presión de la carcasa de chorro.

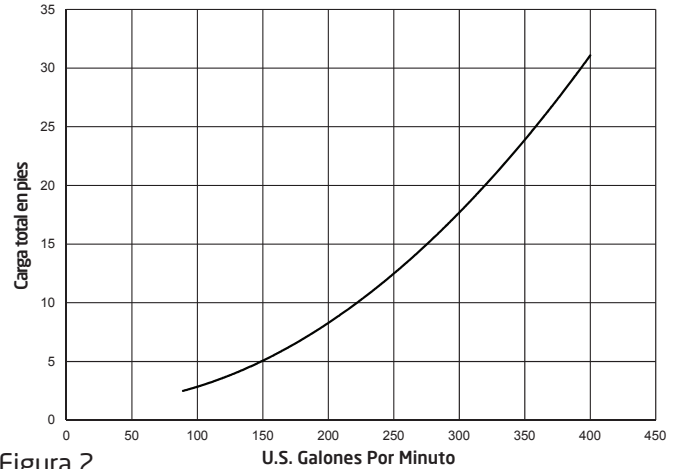


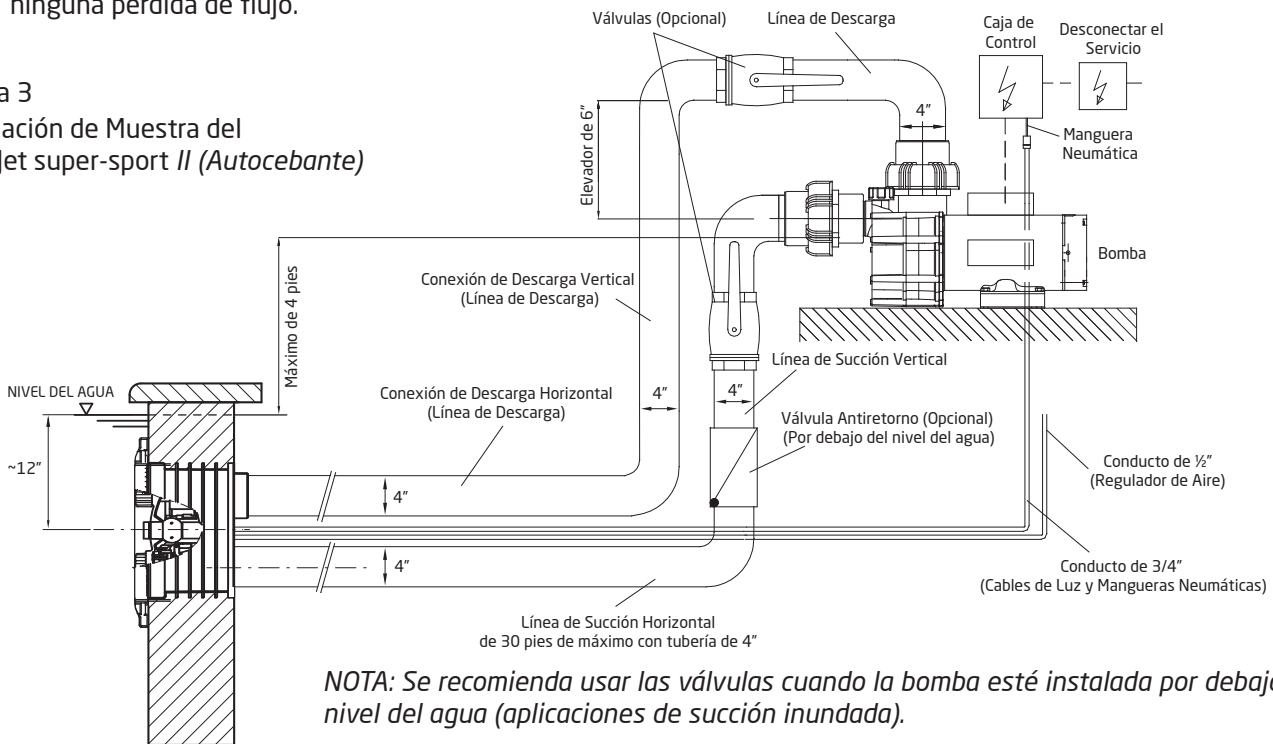
Figura 2  
Curva de Pérdida de Carga BaduJet super-sport II

**PRECAUCIÓN:** El sistema BaduJet super-sport II incluye 30 pies de cable para la luz LED y dos tubos de aire de 30 pies de longitud para los botones de aire. Si la caja de control no puede ser localizada dentro de los 30 pies de la carcasa acuática, por favor póngase en contacto con la fábrica al (800) 223-8538 o mediante el sitio web [technical.usa@speck-pumps.com](mailto:technical.usa@speck-pumps.com).

**NOTA:** Las líneas de succión que son muy largas tienen desventajas significativas:

- Mayor resistencia que genera un cebado menos efectivo y un mayor riesgo de cavitación.
- Tiempo de cebado más largo (hasta 12 minutos).
- Mantener las líneas de descarga y succión tan cortas y rectas como sea posible.
- Si la bomba se posiciona más lejos, entonces la dimensión de la tubería debe adaptarse de manera que se garantice ninguna pérdida de flujo.

Figura 3  
Instalación de Muestra del  
BaduJet super-sport II (Autocebante)

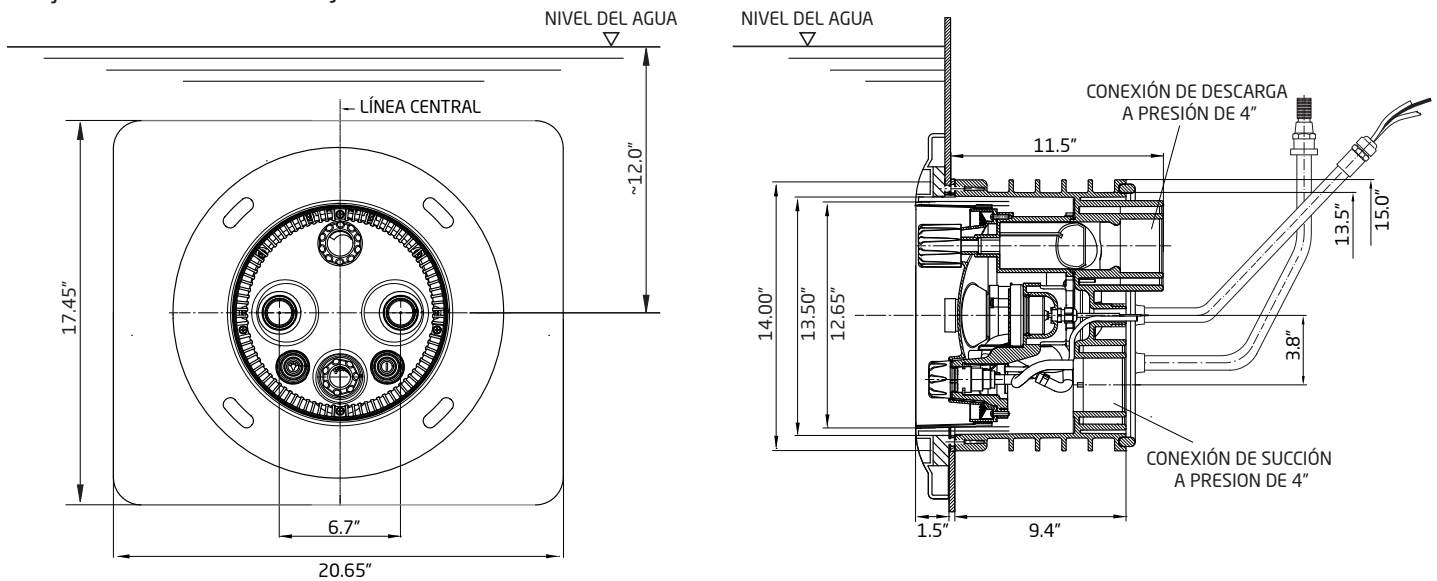


**NOTA:** Se recomienda usar las válvulas cuando la bomba esté instalada por debajo del nivel del agua (aplicaciones de succión inundada).

**NOTA:** Para evitar el estrés en la carcasa, la carcasa del chorro y 2 a 3 pulgadas de fontanería/cabo de conducto deberían ser recubiertos en gunita u hormigón.

## Instalación de Tubería - Continuación

Figura 4  
Dibujo Dimensional del Badujet



## Nueva Construcción en Gunita u Hormigón

**PRECAUCIÓN:** todos los tornillos y pernos necesarios incluidos con el Badujet super-sport son de acero inoxidable. ¡TODAS las roscas e insertos roscados son **MÉTRICOS!** ¡SÓLO los tornillos y tuercas **MÉTRICAS** pueden ser usados! Todos los tornillos deben ser **APRETADOS A MANO. NO** use brocas o herramientas neumáticas. ¡**NO** apriete demasiado!

Las siguientes piezas **NO SE USAN EN UNA INSTALACIÓN DE HORMIGÓN O GUNITA SIN REVESTIMIENTO DE VINILO:**

- Junta con perillas (parte #26)
- Junta de anillo de fijación (parte #27)
- Tornillo avellanado de M8 x 30mm (parte #98)

1. Preajustar la carcasa de chorro del Badujet super-sport:

- Instale una tubería de aproximadamente 12" o 4" SCH 40 a las conexiones de descarga y succión en la parte trasera de la carcasa de chorro.

*NOTA: Si la longitud total de la fontanería supera los 30 pies entre la carcasa de chorro y la bomba, aumente el tamaño de la tubería a 6". Instale acoplamientos reductores de 6" x 4" en las conexiones de la carcasa de chorro.*

2. Instale el conducto protector (ver la figura 10 en la página 43 y la figura 14 en la página 45):

- Pegue el lado métrico del conector de conducto de M25 x 3/4" (parte #118) al puerto del conductor protector en la parte posterior de la carcasa de chorro.
- Instale un conducto protector de PVC flexible o rígido de 3/4" a la parte de 3/4" del conector de conducto de M25 x 3/4". Corra el conducto protector de 3/4" a la ubicación de la caja de control.

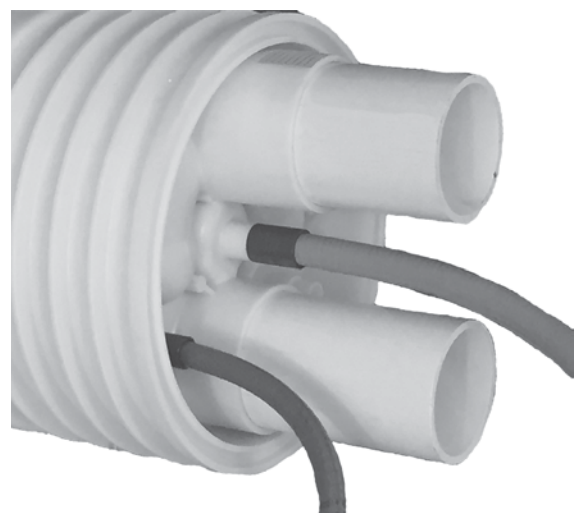


Imagen 1  
Badujet super-sport II preajustado y conducto instalado

**PRECAUCIÓN:** El sistema Badujet super-sport II incluye 30 pies de cable para la luz LED y dos tubos de aire de 30 pies de longitud para los botones de aire. Si la caja de control no puede ser localizada dentro de los 30 pies de la carcasa acuática, por favor póngase en contacto con la fábrica al (800) 223-8538 o mediante el sitio web [technical.usa@speck-pumps.com](mailto:technical.usa@speck-pumps.com)

## Nueva Construcción en Gunita u Hormigón - Continuación

### 3. Instale la carcasa del regulador de aire (ver la figura 10 en la página 43 y la figura 14 en la página 45)

- Pegue el lado métrico del conector de conducto de M20 x 1/2" (parte #117) al puerto del regulador de aire en la parte posterior de la carcasa de chorro.
- Instale un conducto de PVC flexible o rígido de 1/2" (esto sirve como la carcasa del regulador de aire) al lado de 1/2" del conector de conducto de M20 x 1/2". Corra el conducto de 1/2" a un punto por encima de la línea de agua (por ejemplo, en la base del equipo). Instale la válvula antiretorno de 1/2" (parte #101), la junta tórica (parte #113), y el adaptador de conducto de 1/2" (parte #116) al final del conducto de 1/2".

### 4. Para piscinas de concreto vertido solamente:

- Crear encofrado para la carcasa de chorro usando las figuras 5 y 6.
- Perfore los cuatro agujeros M8 marcados (1) en la figura 5 en el encofrado de la pared interna de la piscina. Corte un agujero de 14.5" en el encofrado de la pared externa de la piscina. **PRECAUCIÓN:** El centro de la carcasa de chorro **DEBE ESTAR** montado 12" **DEBAJO** de la línea de agua como se muestra en las figuras 5 y 6
- Inserte el cable de estanqueidad redonda (parte #25) en la ranura de la parte posterior de la carcasa de chorro.
- Coloque la carcasa de chorro entre la barra de acero con el dorso de la carcasa de chorro contra el orificio del encofrado de la pared exterior. La ubicación de la carcasa de chorro es muy importante (Ver Figura 6).
- Instale los cuatro (4) clavos M8 x 80mm de la tapa de gunita (parte #31) en la parte frontal de la carcasa de chorro. Deben estar en la misma posición que los orificios (1) marcados en la figura 5. Deslice la cubierta de gunita (parte #30) sobre los clavos. Tape el borde de la gunita alrededor de toda la carcasa de chorro para excluir el hormigón de los insertos roscados y de la carcasa de chorro.
- Deslice la pared interna del encofrado sobre los tornillos en la carcasa de chorro a través de los agujeros perforados. Asegure el encofrado a la carcasa de chorro con cuatro (4) arandelas M8 (parte #32) y cuatro (4) tuercas M8 (parte #33).

### 5. Para piscinas de gunita:

- Monte la tapa de gunita al frente de la carcasa de chorro usando las cuatro (4) tuercas M8 x 80mm (parte #31), cuatro (4) arandelas M8 (parte #32) y cuatro (4) tuercas M8 (parte #33). Tape el borde de la cubierta de gunita alrededor de toda la carcasa de chorro para separar el recubrimiento de gunita de los insertos roscados y la carcasa de chorro.
- Coloque la carcasa de chorro entre la barra de acero. La ubicación de la carcasa de chorro es muy importante (Ver Figura 6).

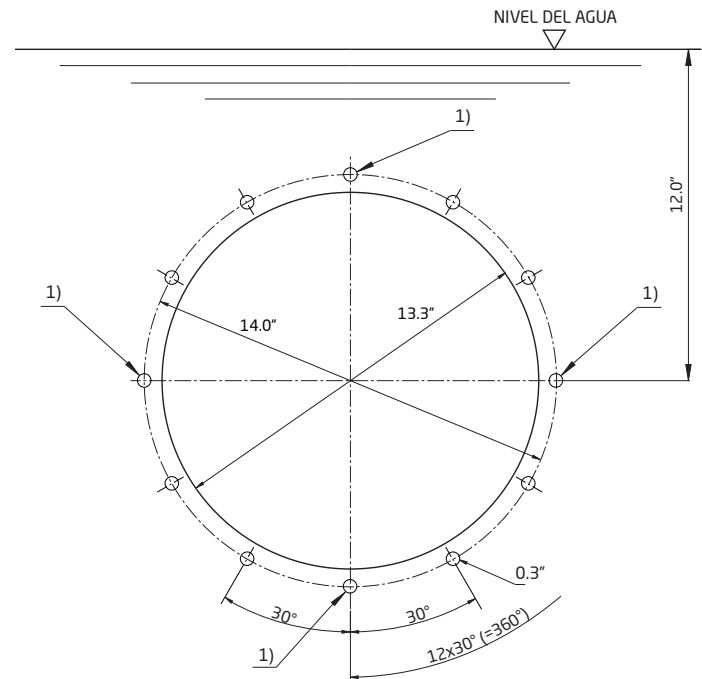


Figura 5  
Plantilla de instalación de piscinas de hormigón o gunita

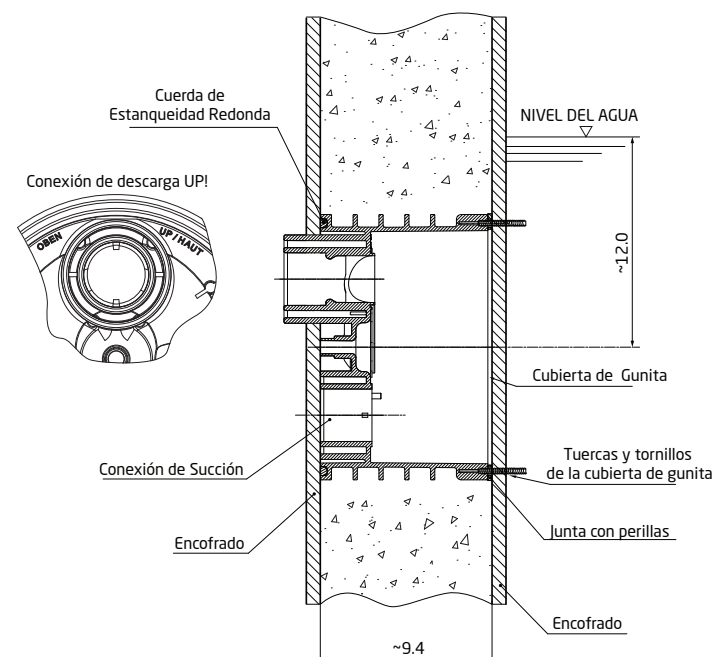


Figura 6  
Instalación de encofrado para piscinas de hormigón o gunita

## Nueva Construcción en Gunita u Hormigón - Continuación

### 6. Vertir hormigón o aplicar gunita:

- El borde frontal de la carcasa de chorro debe finalizar en la pared interior de la piscina. Asegúrese de que haya una ranura en forma de V en torno a la carcasa de aproximadamente 1.5" de profundidad para permitir que el yeso se adhiera contra la carcasa.
- Volver a verificar la ubicación de la carcasa de chorro cuando se aplique el hormigón o la gunita. Asegúrese de que la carcasa de chorro permanezca debidamente alineada y nivelada.
- Para evitar el estrés en la carcasa, la carcasa de chorro y 2 a 3 pulgadas de fontanería/talón de conducto pueden ser recubiertos de gunita u hormigón.
- Guarde todas las piezas que no se utilizan en la caja original. Guarde todos los elementos en un lugar seguro hasta que los vuelva a necesitar.

7. Una vez que el hormigón o la gunita estén completamente secos y la pared de la piscina esté finalizada, quite las tuercas y arandelas M8, la cubierta de gunita, y los clavos M8. Asegúrese de que el extremo frontal de la carcasa de chorro esté al ras con la pared de la piscina.

**PRECAUCIÓN:** Durante el enyesado, la cobertura de gunita, los tornillos, arandelas y tuercas deben estar instalados en la carcasa de chorro.

### 8. Instale el anillo de fijación (parte #28) basado en la construcción de su piscina:

#### ■ Pared de gunita (sin baldosas o recubrimiento):

Debe alinear el anillo de fijación (parte #28). Use los doce (12) tornillos M8 x 30 del anillo de fijación (parte #52) para sujetar dicho anillo a la carcasa de chorro.

#### ■ Piscina de Hormigón con Revestimiento de Vinilo:

Utilice la plantilla de montaje provista (versión a pequeña escala de la plantilla mostrada en la Figura 5) para marcar y taladrar los orificios a través del revestimiento (doce orificios hechos con tornillos M8 del anillo de fijación y orificios centrales de 13.3"). Inserte la junta con mandos en la parte frontal de la carcasa de chorro (parte #26). Instale el revestimiento con los orificios alineados a la carcasa de chorro. Coloque de forma alineada el anillo de fijación (parte #28) como se muestra en la figura 7. Coloque la junta del anillo de fijación (parte #27) y comience a instalarla utilizando los doce (12) tornillos M8 x 30 del anillo de fijación (parte #52) (Ver Figura 7).

#### ■ Piscina de azulejos:

El grosor de la baldosa puede ser compensado con un anillo de sujeción adicional y tornillos de sujeción más grandes (partes opcionales) (Ver Figura 8).

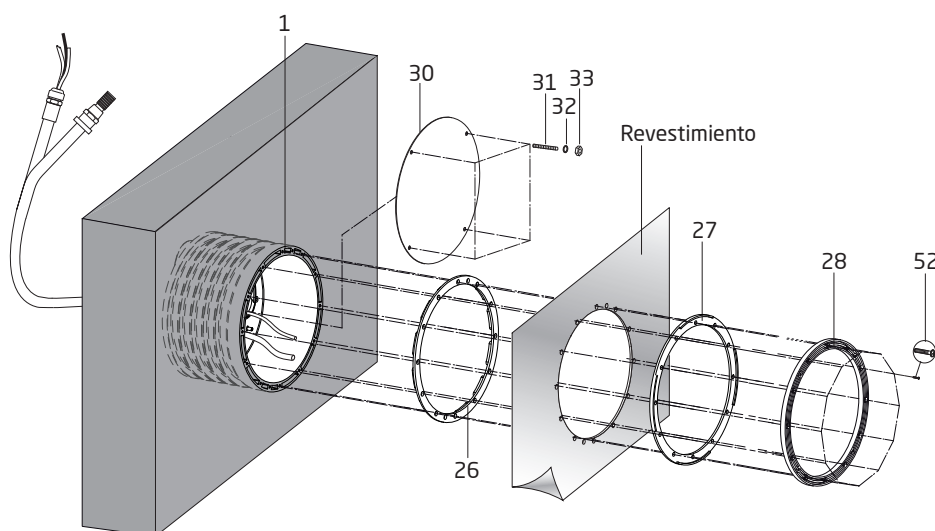


Figura 7  
Instalación de piscina de hormigón con revestimiento de vinilo



## Nueva Construcción en Gunita u Hormigón - Continuación

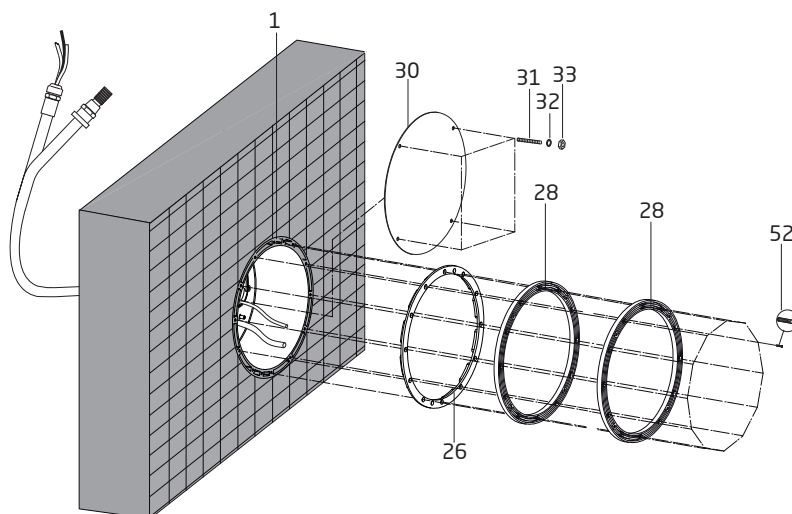


Figura 8  
Instalación de piscina con azulejos

## Instalación de Gunita u Hormigón Existente

### MATERIALES: (NO INCLUIDOS)

- Una (1) pieza de madera contrachapada de 2' x 3' x 1/4"
- Ocho (8) tirafondos de 1/4" x 1-1/2" (mínimo)
- Ocho (8) anclajes de tirafondos de expansión de plástico

1. Siga los pasos 1-4 de la Instalación de la Carcasa de Chorro - Nueva Construcción en Gunita u Hormigón de las páginas 38 - 39.

2. Elija la ubicación cuidadosamente donde será instalado el Badujet super-sport II. Debe ser una superficie plana sin ninguna cima.

3. Usando una sierra para hormigón, corte el contorno de la sección que será cincelada con un martillo neumático o similar. Este agujero debe ser de 19" de ancho por 19" y situarse por debajo de la línea de agua. Las barras de unión de la tapa de la piscina deben estar intactas, mientras que se deben cortar de nuevo todas las demás barras de acero para que se proceda a colocar la carcasa de chorro.

4. Tomando la madera contrachapada de 2' x 3' x 1/4", ajuste su borde superior a la tapa de la pared de la piscina. En algunos casos, quizás se necesite un pedazo de madera contrachapada más grande para cubrir el agujero completamente. Si la madera contrachapada cubre el agujero totalmente, marque la línea de agua sobre la madera. A partir de esta línea, perfore los agujeros en la madera para colocar los cuatro (4) tornillos de gunita M8 x 80 (parte #31) y los ocho (8) tirafondos de 1/4". (Ver Figura 9)

5. Inserte los cuatro (4) tornillos de gunita M8 x 80 (parte #31) en la carcasa de chorro. Se debe colocar uno en cada extremo de la línea central vertical y uno en cada extremo de la línea central horizontal (parte #26). Coloque la cobertura de gunita sobre los clavos cubriendo la parte interna de la carcasa de chorro. Luego coloque la madera enchapada en los clavos y ajústela a la carcasa de chorro con cuatro (4) arandelas M8 (parte #32) y cuatro (4) tuercas remachables M8 de cobertura de gunita (parte #33). La conexión de descarga debe estar ubicado justo **ARRIBA** de la conexión de succión.

6. Ahora coloque este montaje en la pared de la piscina y proceda a alinear las marcas de la línea de agua. Con un cierto nivel en los dos (2) pernos horizontales, nivele el montaje y marque los ocho (8) orificios para los anclajes de tirafondos de 1/4". Retire el montaje y perfore agujeros para los anclajes de tirafondos de expansión. Instale dichos anclajes. Vuelva a colocar el montaje y fíjelo a los anclajes de los tirafondos de 1/4" con tornillos de retraso. Lo mejor es consultar con un nivel antes de apretar los tornillos manualmente.

## Instalación de Gunita u Hormigón Existente - Continuación

7. Mezcle el compuesto que sea compatible y tenga buenas características de adherencia al compuesto de la pared de la piscina. Vuelque la mezcla dentro de la forma. Utilice un mazo y golpee ligeramente la parte delantera del montaje formado para acomodar la mezcla, y evite las burbujas de aire en el vertido. Debe ser llenado a la parte superior de la madera contrachapada. Deje que la mezcla se seque y luego retire la madera contrachapada del ensamble de la carcasa. Deje la cubierta de gunita instalada mediante tornillos M8 80 de la tapa gunita (parte #31) con arandelas M8 prisioneros (parte #32) y M8 gunita tuercas de la tapa prisioneros (parte #33) hasta la pared de la piscina es completa x. Perforar las anclas de retardo de plástico y rellenar los agujeros. Aplique el acabado de la pared de la piscina (yeso, azulejo, pintura, etc.). Retire la tapa de gunita, junta con las perillas y los tornillos de la cubierta de gunita.

*NOTA: Para evitar el estrés en la carcasa, la carcasa de chorro y 2 a 3 pulgadas del talón de fontanería puede ser recubierto con gunita u hormigón.*

8. Instale el anillo de fijación (parte #28) basado en el tipo de su piscina:

■ **Pared de gunita (sin baldosas o recubrimiento):**

Debe alinear el anillo de fijación (parte #28) como se muestra en la figura 7. Use los doce (12) tornillos M8 x 30 del anillo de fijación (parte #52) para sujetar dicho anillo y los mangos a la carcasa de chorro.

■ **Para piscinas de hormigón con revestimiento de vinilo:**

Utilice el modelo provisto en la Figura 5 para marcar y taladrar los orificios a través del revestimiento (doce orificios hechos con tornillos M8 y orificios centrales de 14"). Inserte la junta con mandos en la parte frontal de la carcasa de chorro (parte #26). Instale el revestimiento con los orificios alineados a la carcasa de chorro. Coloque de forma alineada el anillo de fijación (parte #28). Coloque la junta del anillo de fijación (parte #27) y comience a instalarla utilizando los doce (12) tornillos M8 x 30 del anillo de fijación (Ver Figura 7).

■ **En una piscina de azulejos:**

El grosor de la baldosa puede ser compensado con un anillo de sujeción adicional y tornillos de sujeción más grandes (partes opcionales) (Ver Figura 8).

9. Continúe en la sección de Montaje Final de la página 44.

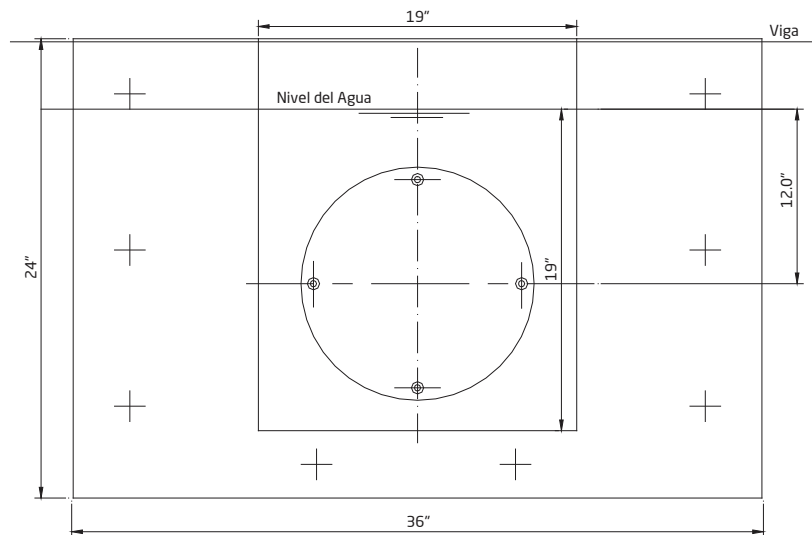


Figura 9

Diseño para la instalación de piscinas en concreto o gunita

## Instalación de Piscina de Fibra de Vidrio y/o Revestimiento

**PRECAUCIÓN:** Colocar el conector de descarga directamente **ARRIBA** de la conexión de succión. Los conectores de succión y descarga deben ser exactamente verticales o de lo contrario los mangos de acero inoxidable no se alinearán correctamente. (Ver Figura 10)

**PRECAUCIÓN:** El centro de la carcasa de chorro (las dos boquillas de chorro) debe estar exactamente 12" **DEBAJO** del nivel del agua para una máxima eficiencia.

## Instalación de Piscina de Fibra de Vidrio y/o Revestimiento - Continuación

**PRECAUCIÓN:** La junta con perillas (parte #26) se debe colocar **DETRÁS** de la pared de la piscina.

**PRECAUCIÓN:** La junta del anillo de fijación (parte #27) se debe colocar en **FRENTE** de la pared de la piscina. Una buena silicona de RTV puede ser usada con la junta al montar la carcasa de chorro, pero no es necesario en la mayoría de los casos. El instalador debería decidir si la silicona es necesaria o no.

1. Haga un orificio de 13.3" a través de la pared de la piscina. Asegúrese que el centro de este agujero esté 12" **ABAJO** del nivel del agua.

2. Use el modelo mostrado en la figura 12, marque y taladre catorce (14) orificios M8 a través de la pared de la piscina.

3. Inserte la junta con las perillas (parte #26) en frente de la carcasa de chorro. Proceda a alinear la carcasa de chorro en la pared exterior de la piscina, asegurándose de que el conector de descarga esté ubicado directamente **ABAJO** del conector de succión.

4. **Sólo para piscinas con revestimiento:** Instale los dos tornillos avellanados M8 x 30 (parte #98) en los dos orificios en 15° del eje vertical. Esto mantendrá la carcasa del chorro adherida a la pared de la piscina para la instalación y reemplazo del revestimiento.

5. Debe alinear la junta del anillo de fijación (parte #27) en la pared interna de la piscina (o sobre el revestimiento) como se muestra en las figuras 12 y 13. Asegúrese de que las nervaduras en el borde exterior de la junta no estén mirando hacia la pared de la piscina y se posicionen como se muestra.

6. Debe alinear el anillo de fijación (parte #28) sobre la junta del anillo de fijación (parte #27).

7. Instale los doce (12) tornillos M8 x 30 del anillo de fijación (parte #52).

8. Siga los pasos 1-4 de la sección Instalación de la Carcasa de Chorro - Nueva Construcción en Gunita u Hormigón en la página 38 - 39.

9. Continúe en la sección Montaje Final en la página 44.

**NOTA:** La cubierta de gunita (parte #30), los tornillos M8 x 80 (parte #31), las arandelas de 8.4mm (parte #32), y las tuercas M8 (parte #33) se utilizan en aquellos casos en los que la piscina está en funcionamiento sin el kit de montaje instalado.

**PRECAUCIÓN:** Todos los tornillos deben ser **APRETADOS A MANO. NO** use taladros o herramientas neumáticas. **¡NO** apriete demasiado!

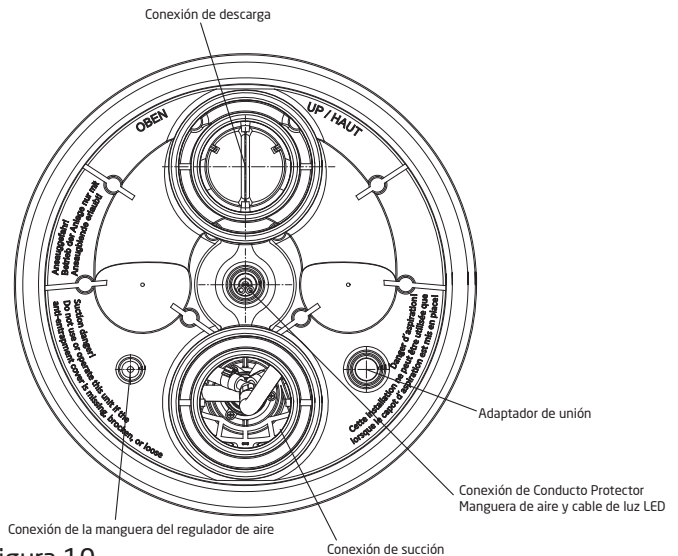


Figura 10  
Carcasa de chorro - Vista Posterior

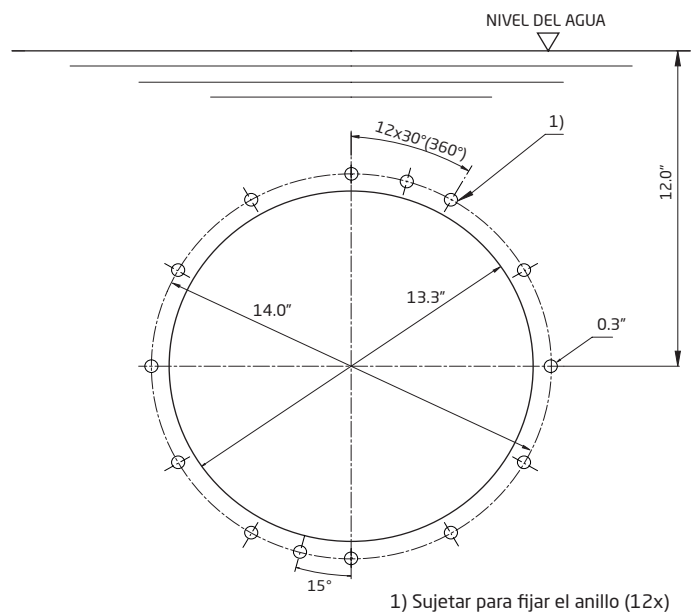


Figura 11  
Plantilla para piscinas de vinilo o fibra de vidrio

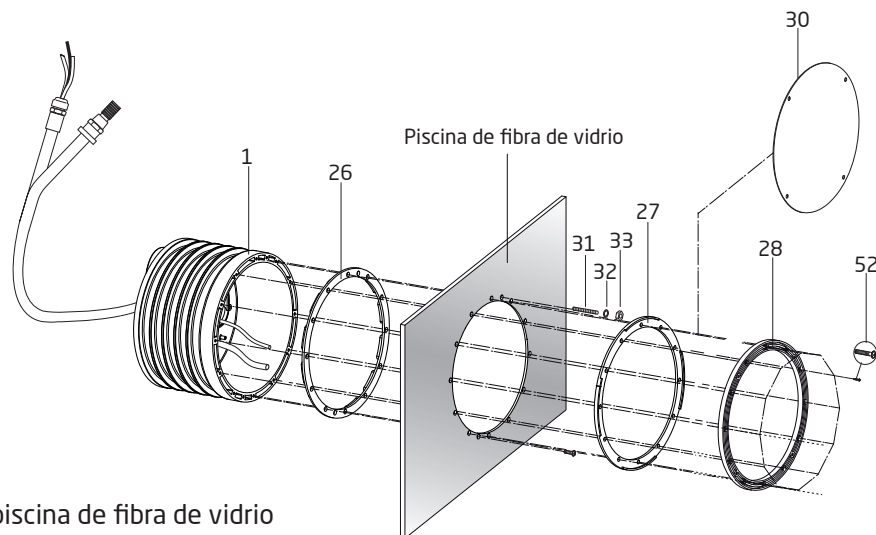


Figura 12  
Instalación de piscina de fibra de vidrio

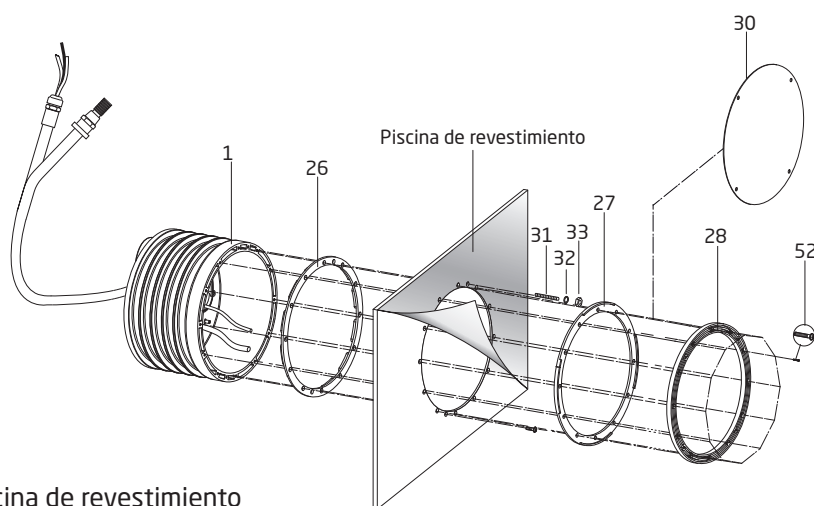


Figura 13  
Instalación de piscina de revestimiento

### Montaje Final

1. Inserte la junta tórica (parte #62) en la carcasa de chorro como se muestra en la figura 14.
2. Coloque los diez (10) tornillos autorroscables de la carcasa de la boquilla (parte #61) en la carcasa preensamblada de la boquilla (parte #102.1). Coloque la carcasa de la boquilla en la carcasa de chorro principal.
3. Pase los dos tramos del tubo de aire (parte #47) a través del conducto protector como se muestra en la figura 14. Permita que el tubo con suficiente aire llegue a alcanzar la caja de control y los botones de aire. El exceso puede ser disminuido en la instalación. Marque cada extremo con un marcador. (P = Bomba y L = Luz.)
4. Fije la manguera interna del regulador de aire (parte #4) a la boquilla de la manguera dentro de la carcasa de chorro usando la abrazadera de la manguera (parte #9).
5. Haga pasar el tubo de aire mediante las aberturas del botón de aire de la carcasa de la boquilla. *NOTA: El botón ON/OFF de la luz está sobre la izquierda y el botón ON/OFF de la bomba está sobre la derecha.*
6. Proceda a alinear la carcasa completa de la boquilla a la carcasa principal de chorro y fije los diez (10) tornillos autorroscables preensamblados.

**PRECAUCIÓN:** Todos los tornillos deben ser **APRETADOS A MANO**. **NO** use taladros o herramientas neumáticas. **¡NO** apriete demasiado!

## Montaje Final - Continuación

7. Coloque la cubierta rectangular (parte #93) contra el anillo de fijación (parte #28) y fíjela con cuatro (4) arandelas de 8.4mm (parte #94) y cuatro (4) tornillos mecánicos de M8 x 20 (parte #95). Luego cubra las aberturas con las cubiertas rectangulares (parte #96). **PRECAUCIÓN:** Todos los tornillos deben ser **APRETADOS A MANO. NO** use taladros o herramientas neumáticas. ¡**NO** apriete demasiado! Asegúrese de que la etiqueta UP esté en la posición correcta.

**ADVERTENCIA:** **NO** use el Badujet super-sport II si la cubierta anti-atrapamiento falta, está perdida, quebrada, o suelta.

8. Guíe el tubo de aire a través de los dos (2) orificios interiores de la cubierta de la luz (parte #110). **NOTA:** El botón ON/OFF de la luz está sobre la izquierda y el botón ON/OFF de la bomba está sobre la derecha. Proceda a alinear la cubierta de la luz con la carcasa de la boquilla y fíjela con cuatro (4) tornillos autorroscables (parte #112) (Ver Figura 15).

9. Deslice una (1) junta tórica (parte #37) sobre cada botón de aire. Fije cada lengüeta del tubo de aire a los botones correspondientes usando las abrazaderas de la manguera (parte #48). Inserte los dos (2) botones de aire mediante la cubierta de luz y en la carcasa de la boquilla. Luego ciérrelas al girarlas en sentido horario hasta que se coloquen en su lugar.

10. Monte la perilla del control de volumen (parte #21.1) y la perilla del regulador de aire (parte #111) mediante un mazo de goma y un paño de protección (Ver Figura 16).

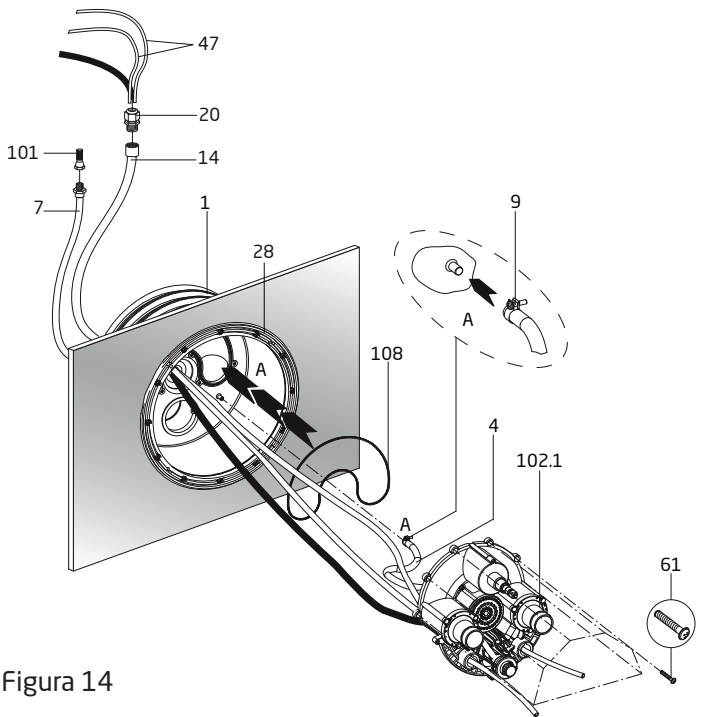


Figura 14

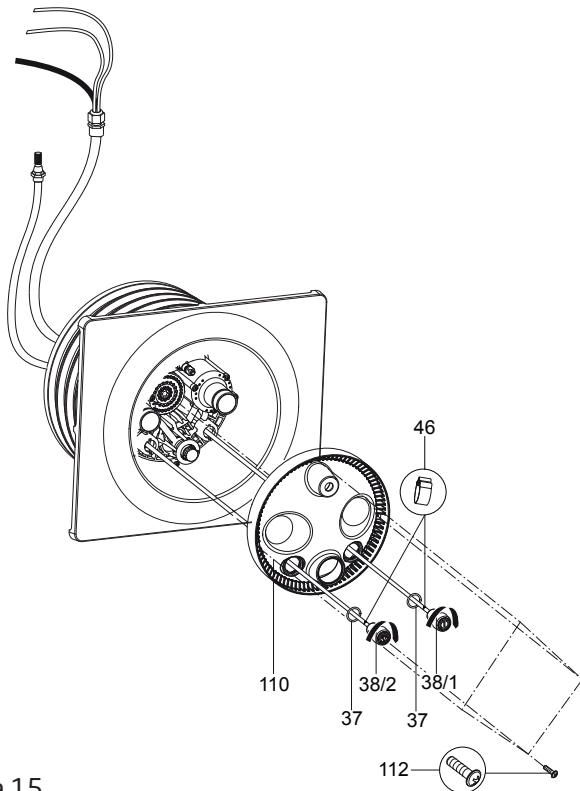


Figura 15  
Instalación de la cubierta de luz

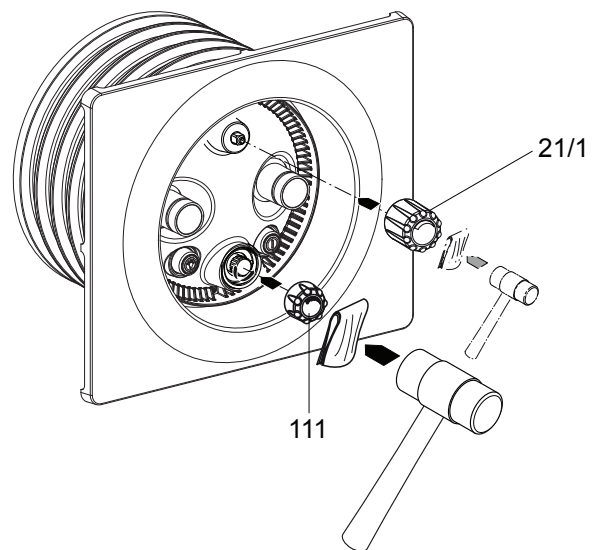


Figura 16  
Instalación de perillas

## Instalación Eléctrica

**ADVERTENCIA:** El cableado del motor y de la caja de control de la piscina debe ser instalado por un electricista autorizado de acuerdo con las regulaciones locales, estatales y federales. Asegúrese de que la carcasa del motor y la caja de control estén conectados a tierra. La placa de identificación del motor tiene voltaje, fase, amperaje y otra información del motor, así como las instrucciones de conexión del cableado.

Esta sección se refiere al motor eléctrico, la caja de control, y las partes metálicas del Badu Jet super-sport II.

**PRECAUCIÓN:** Antes de instalar el Speck Pump, lea el manual completo del propietario de la bomba encontrado en la caja de la bomba.

Consulte los códigos locales para saber la distancia mínima que debe existir entre la bomba y la piscina. Coloque la bomba tan cerca de la piscina como sea práctico.

**PRECAUCIÓN:** Hay 30 pies de tubo de aire para los botones de aire, así como 30 pies de cable para la luz LED incluidos con el BaduJet super-sport II. La caja de control debe ser instalada dentro de esta distancia de la carcasa del chorro. Si se requiere una distancia más larga, por favor póngase en contacto con la fábrica respecto al uso del tubo de aire de menor diámetro.

**UNIÓN:** Como lo solicita el Código Eléctrico Nacional, el motor eléctrico de la bomba, los mangos de acero inoxidable, y la cubierta de acero inoxidable deben ser unidas eléctricamente a la estructura de la piscina (barras reforzadas, etc.) por un conducto de cobre sólido que no debe ser más pequeño que No. 8 AWG. Se proveen lengüetas de unión en el motor eléctrico de la bomba, los mangos de acero inoxidable, y la cubierta de acero inoxidable. Se provee una longitud de 3 pies de cable sólido aislado 8 AWG (10" of cable aislado sin revestimiento) con el Swimjet.

**PRECAUCIÓN:** La carcasa de protección **DEBE** estar completamente apretada alrededor del cable de unión. ¡El Badu Jet super-sport II se **PERDERÁ** si dicha carcasa está suelta!

**CONEXIÓN A TIERRA:** Conecte a tierra la bomba del motor y la caja de control de forma permanente usando un conductor de tamaño apropiado.

- Motor de la bomba: Conéctelo al tornillo de tierra verde No. 10 provisto dentro de la caja de bornes del motor.
- Caja de Control: Conéctela a la regleta de bornes de aluminio de conexión a tierra en el interior de la carcasa de la caja de control.

**PRECAUCIÓN: NO** la conecte al suministro de energía eléctrica hasta que la unidad esté conectada a tierra de forma permanente.

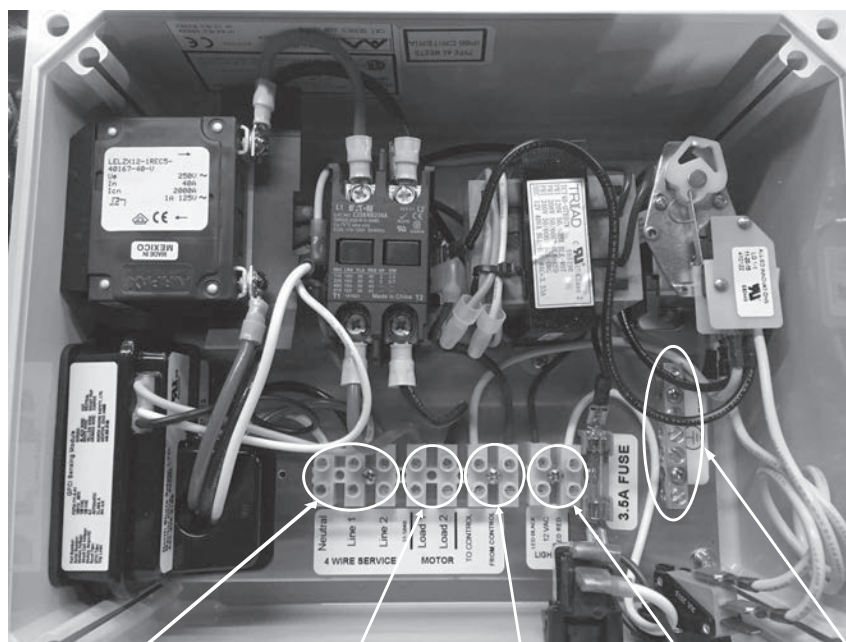


Figura 17

Conexiones del cableado de la caja de control

Energía del panel principal (230 VAC):  
Neutral, Línea 1, Línea 2

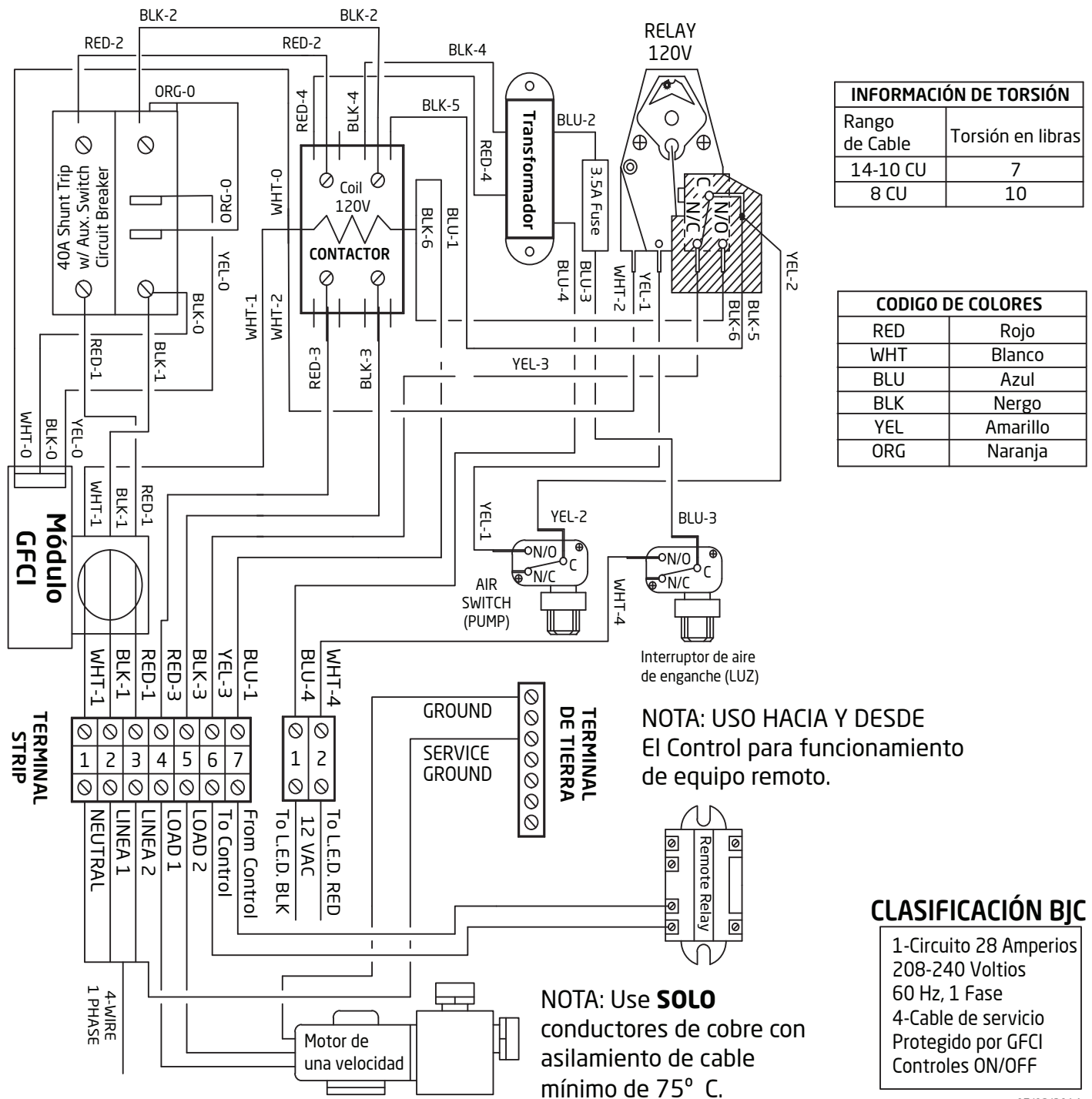
Potencia del motor de la bomba  
(230 VAC):  
Carga 1, Carga 2

Conexión al relé remoto:  
(120 VAC)

Conexión a la luz LED  
(12 VAC)

Conexiones a tierra del panel  
principal y el motor de la  
bomba

# Instalación Eléctrica - Continuación



INFORMACIÓN DE TORSIÓN	
Rango de Cable	Torsión en libras
14-10 CU	7
8 CU	10

CODIGO DE COLORES	
RED	Rojo
WHT	Blanco
BLU	Azul
BLK	Nergo
YEL	Amarillo
ORG	Naranja

NOTA: USO HACIA Y DESDE El Control para funcionamiento de equipo remoto.

NOTA: Use **SOLO** conductores de cobre con asilamiento de cable mínimo de 75° C.

CLASIFICACIÓN BJC
1-Circuito 28 Amperios
208-240 Voltios
60 Hz, 1 Fase
4-Cable de servicio
Protegido por GFCI
Controles ON/OFF

07/03/2014

Figura 18 Conexiones de cableado de la caja de control

# 4 Servicio y Mantenimiento

## Ajuste de la Boquilla

Cuando configure las boquillas para la natación básica, se recomienda que las coloque de tal manera que cada boquilla se entrelace a 4 pies de distancia mientras emergen a la superficie al mismo tiempo. Para poder configurar las boquillas en una posición adecuada que permita un mejor rendimiento, por favor siga estas instrucciones:

1. Piezas necesarias:

- Tubería de PVC de 4' x 1.5" - 2 unidades
- Adaptador de Manguera de 1,5" MPT x 1,5"/1.25" - 2 unidades
- Adaptador hembra de 1.5" Slip x 1.5" FPT - 2 unidades

2. Desconecte la bomba de chorro.

3. Inserte cada herramienta de ajuste de chorro en la boquilla de chorro.

4. Coloque los extremos de las herramientas de ajuste juntos para que se toquen entre las carcasas de chorro. Luego coloque las herramientas juntas para que los extremos toquen la superficie del agua (Ver Figura 19).

5. Quite la herramienta de ajuste de chorro.

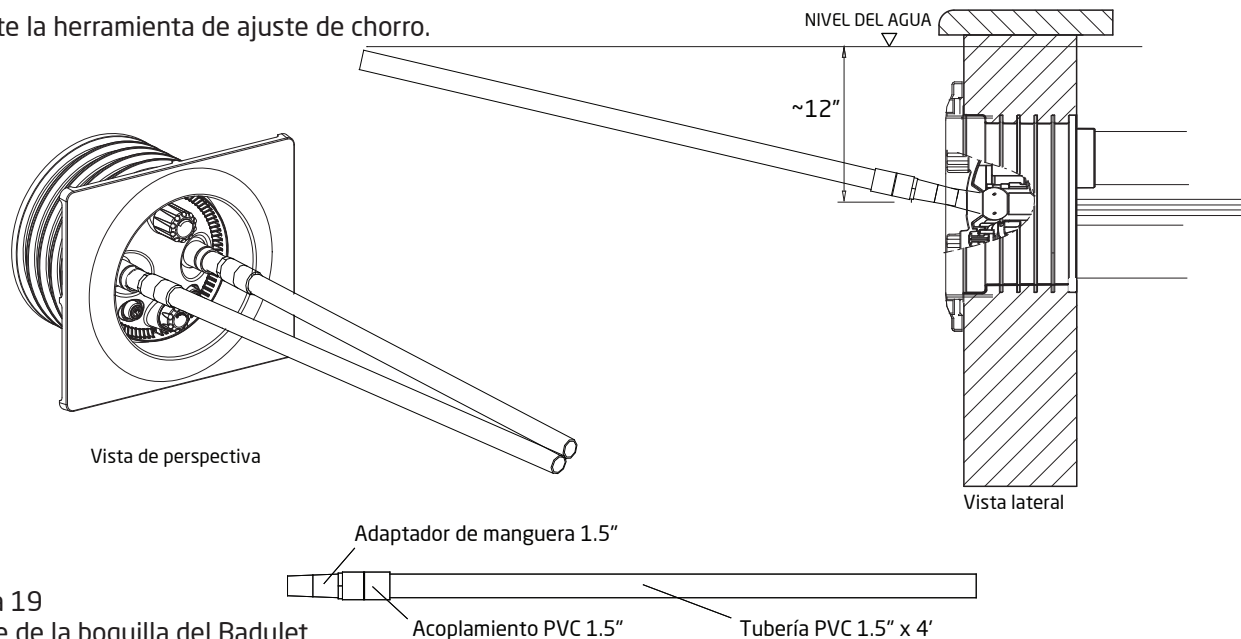


Figura 19  
Ajuste de la boquilla del BaduJet

## Preparación para el Invierno

En áreas sujetas a temperaturas heladas, usted debería proteger su equipo. Le recomendamos que compre un kit de cobertura de invierno parte#2326000010K. Este kit incluye una (1) placa de invierno, una (1) junta, cuatro (4) arandelas M8, y cuatro (4) tornillos M8 x 30mm. (Ver Figura 20)

También puede proteger su sistema swimjet de la siguiente manera: drene la piscina hasta que el nivel del agua haya disminuido bajo la cubierta anti-atrapamiento. Luego proteja la bomba al quitar el tapón de drenaje y el tapón de llenado de color rojo (si es aplicable).

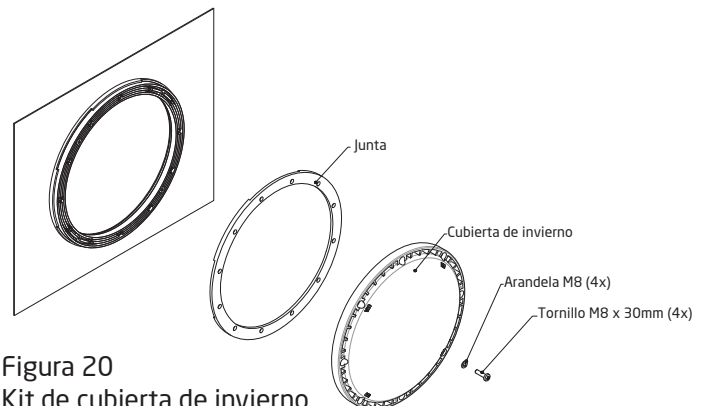


Figura 20  
Kit de cubierta de invierno



---

# 5 Preguntas Más Comunes

---

## Preguntas Más Comunes

---

### ¿Qué tamaño de piscina necesito?

El Badujet super-sport II puede ser instalado en cualquier tamaño de piscina. Sin embargo, recomendamos una longitud mínima de 14 pies y un ancho mínimo de 7 pies del carril de natación.

### ¿Qué tamaño de las tuberías es necesario? ¿A qué distancia del Badujet super-sport II se puede instalar la bomba?

Utilizar tuberías de 4" de hasta 30 pies. Para recorridos más largos que 30 pies usar tuberías de 6". La bomba debe colocarse lo más cerca del Badujet super-sport II como lo permitan los códigos locales.

### ¿A cuántos amperios funciona la bomba?

4.0 HP: Amperios máximos 21.0 - 19.4 @ 208-230 V

### ¿Qué tamaño de interruptor necesito?

Debe usar un interruptor de 40 amperios para la bomba 4 HP para evitar disparos intempestivos.

### ¿Está aprobado el Badujet super-sport II?

Sí. El sistema SwimJet del Badujet super-sport está mencionado por MET y cumple con las normativas *ASME, ANSI/ASME A112.19.8 (ANSI/ APSP-16, 2011)* para los Accesorios de Combinación del SwimJet, y es compatible con la normativa VGB 2008.

### ¿La luz LED viene en diferentes colores?

Sí. La luz LED viene en color azul o multicolor.

### ¿Es importante si la carcasa se instala más arriba o más debajo de lo que indica el manual?

Sí, el centro del chorro debe estar 12" **DEBAJO** del nivel de agua para un correcto funcionamiento de la unidad. Si se instala demasiado alto, la bomba aspirará aire desde la parte superior del nivel del agua. Si se instala demasiado bajo, no puede desarrollarse un buen carril de nado.

### ¿Se puede colocar la bomba bajo el nivel del agua?

Sí. Sin embargo, para un mejor rendimiento recomendamos pedir una bomba de aspiración normal (Modelo 21-80/33 G) en lugar de autocebante (Modelo 21-80/33 GS). Recomendamos instalar las válvulas cuando se instalen por debajo del nivel del agua para facilitar el mantenimiento.

### ¿Necesito instalar un arrancador de motor?

En la mayoría de los casos, no. Todas las bombas monofásicas tienen incorporado las sobrecargas térmicas. Además, el modelo trifásico 21-80/33 tiene incorporado la sobrecarga térmica. Otras bombas trifásicas requieren un arrancador de motor.

### ¿Se debe vincular el sistema swimjet al sistema de filtro?

No. El sistema swimjet y el sistema de filtro no deben conectarse ya que cada uno proporciona funciones específicas.

### ¿Puedo utilizarlo con controles automatizados?

Sí. Viene con la capacidad de unirse a los sistemas de control automatizados u otros dispositivos de conmutación.

## Resolución de Problemas

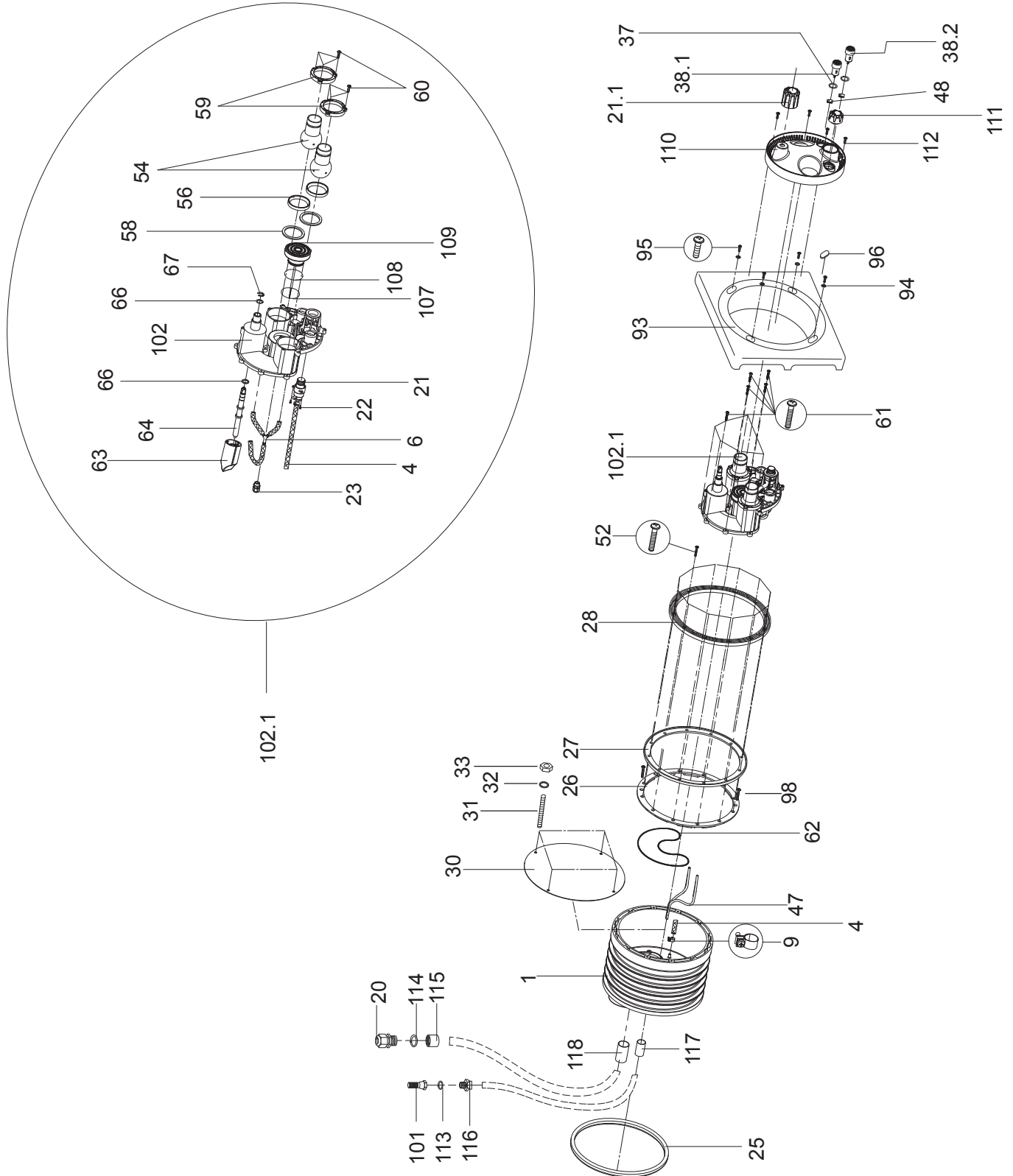
PROBLEMA	POSIBLES CAUSAS	SOLUCIÓN
1. La bomba no ceba.	<p>a. Fuga de aire de succión.</p> <p>b. No hay agua en la bomba.</p> <p>c. Válvulas cerradas líneas bloqueadas.</p> <p>d. Bajo voltaje al motor.</p>	<p>Asegúrese de que el tapón de llenado de color rojo y la junta tórica estén limpios y correctamente colocados. Apriete el tapón de llenado de color rojo, todos los tubos y accesorios en el lado de succión de la bomba. Asegúrese de que el agua de la piscina esté lo suficientemente alta para que corra a través de la carcasa del chorro.</p> <p>Asegurarse de que la carcasa de bomba está llena de agua.</p> <p>Abrir todas las válvulas del sistema. Abrir la bomba y ver si hay obstrucción del impulsor.</p> <p>Chequear el voltaje del motor. Si está bajo, la bomba no acelerará.</p>
2. El motor no gira.	<p>a. No hay energía que llegue al motor.</p> <p>b. La bomba está atascada.</p>	<p>Chequear que todos los interruptores de alimentación están encendidos. Asegurarse que el fusible o disyuntor está bien ajustado. Comprobar el cableado del motor en los terminales.</p> <p>Con la energía apagada, girar el eje. Se debe girar libremente. Si no es así, desmontar y reparar.</p>
3. Flujo bajo.	<p>a. No hay agua en la bomba.</p> <p>b. Válvulas cerradas o líneas bloqueadas.</p> <p>c. Bajo voltaje al motor.</p>	Ver problema 1.
4. Operación ruidosa del motor.	a. Rodamientos averiados.	Comprobar el ruido girando a mano el eje. El motor va a estar muy caliente en el área de rodamiento cuando se ejecuta. Reemplazar el rodamiento.
5. El motor funciona en caliente.	Estos motores se calientan rápido. Sin embargo, esta situación es normal. Están diseñados de esa manera. Un protector de sobrecarga térmica funcionará para apagarlos si hay una sobrecarga o un problema de alta temperatura. El calor excesivo puede ser causado por:	
	<p>a. Bajo voltaje.</p> <p>b. Instalado al sol.</p> <p>c. Poca ventilación.</p>	<p>Aumentar el tamaño del cable eléctrico. Asegurarse de que motor está funcionando con el voltaje correcto.</p> <p>Proteger el motor de los rayos del sol.</p> <p><b>NO</b> bloquear las aberturas de ventilación del motor.</p>
6. Operación ruidosa de la bomba.	<p>a. Fuga de aire en la línea de succión.</p> <p>b. Línea de succión restringida debido al bloqueo o pequeña tubería. Indicado por la lectura de alto vacío a la bomba de succión.</p> <p>c. Material extraño (grava, metal, etc.) en el impulsor de la bomba.</p> <p>d. Cavitación.</p>	<p>Reparar la fuga. Chequear tubería de succión, el tapón de llenado rojo, y el anillo tórico (Ver Problema 1).</p> <p>Eliminar el bloqueo o aumentar el tamaño de la tubería de succión. ¿Todas las válvulas de succión están totalmente abiertas?</p> <p>Desmontar la bomba y eliminar el material extraño del impulsor.</p> <p>Mejorar las condiciones de succión. (Reducir la longitud de la línea de succión, reducir la cantidad de accesorios, aumentar el tamaño del tubo.)</p>

## Resolución de Problemas - Continuación

PROBLEMA	POSIBLES CAUSAS	SOLUCIÓN
7. Sobrecarga del motor	<p>a. El motor no está conectado correctamente.</p> <p>b. Baja tensión debido a un cable pequeño o poca entrada de voltaje.</p> <p>c. Radiadores de mal tamaño en el dispositivo de protección.</p> <p>d. Sobrecarga debido a la unión en la bomba o impulsor de incorrecto tamaño.</p>	<p>Chequear el esquema del cableado en el motor.</p> <p>Consultar con un voltímetro. Aumentar el tamaño del cable de alimentación. Informar de baja tensión de alimentación a la compañía eléctrica. El voltaje del motor debe estar dentro del 10% del voltaje de placa del motor.</p> <p>Los radiadores deben ser de un tamaño mayor que el amperaje a plena carga que aparece en la placa del motor.</p> <p>Indicado por las lecturas de amperaje alto en el motor y la carcasa de unión. Desarmar la unidad y corregir.</p>
8. ¿La luz L.E.D. no está funcionando?	<p>a. Hay humedad en el tubo de aire o el botón de aire no funciona.</p> <p>b. Caja de control.</p>	<p>Retire el tubo de aire del interruptor de aire en la caja de control. Conecte un trozo corto de tubo de aire al interruptor de aire L.E.D. Sople el tubo y compruebe si el L.E.D. se enciende/ apaga.</p> <p>Póngase en contacto con un electricista certificado para diagnosticar los componentes de la caja de control.</p>
9. ¿El mando de control de volumen sigue girando?	a. Husillo roto.	Póngase en contacto con la fábrica al 800-223-8538
10. ¿Mi botón de aire ON/OFF no está funcionando adecuadamente?	<p>a. Caja de control.</p> <p>b. Tubo de aire.</p>	<p>Compruebe GFCI. Si el L.E.D. verde no permanece encendido, póngase en contacto con un electricista certificado para diagnosticar los componentes de la caja de control.</p> <p>Compruebe la conexión del tubo de aire en la caja de control. Compruebe que el tubo no esté doblado o aplastado. El tubo puede necesitar ser reemplazado.</p>
11. ¿El sistema no se apaga?	a. Componentes de la caja de control.	Presione el botón TEST en la caja de control GFCI para apagar el sistema. Póngase en contacto con un electricista certificado para diagnosticar los componentes de la caja de control.
12. ¿La perilla del control de volumen se sube completamente pero el flujo es débil?	<p>a. Residuos en el impulsor/carcasa de la bomba.</p> <p>b. Montaje del swimjet inadecuado.</p>	<p>Revise dentro de la carcasa de la bomba en busca de residuos.</p> <p>Las partes internas pueden ser eliminadas para la inspección del husillo.</p>

# 6 Especificaciones del Producto

## Vista Despiezada y Piezas de Recambio



## Vista Despiezada y Piezas de Recambio - Continuación

NUMERO DE PIEZA	NUMERO DE DIBUJO	CANTIDAD REQUERIDA	DESCRIPCION
232600002A	1	1	CARCASA DE CHORRO
2301001007	4	3 FT	MANGUERA - REGULADOR DE AIRE 8 x 3mm (PRECIO POR PIE)
2326000408	6	1	MANGUERA (3X) CON CONECTOR DE MANGUERA Y
2301001008	9	2	ABRAZADERA - MANGUERA, REGULADOR DE AIRE 14/9 SS A4
2326000031	20	1	ACERO INOXIDABLE - CABLE DE LUZ, 3/4" NPT
2321000409	21	1	REGULADOR DE AIRE COMPLETO
2326000006	21.1	1	PERILLA DE CONTRO DEL VOLUMEN
5879812996	22	3	TORNILLO - REGULADOR DE AIRE, 2.9 x 9.5
5882501619	23	1	ACERO INOXIDABLE - CABLE DE LUZ, M16 x 1.5
2326000020	25	1	CABLE DE SELLADO REDONDO
2301000026	26	1	JUNTA CON PERILLAS - CARCASA DE CHORRO
2326000021	27	1	JUNTA -ANILLO DE FIJACION
2301000028	28	1	ANILLO - FIJACION
2301000030	30	1	CUBIERTA DE GUNITA
5805510880	31	4	STUD - CUBIERTA DE GUNITA M8 x 80mm
5809021080	32	4	ARANDELA - CUBOERTA DE GUNITA M8
5879340800	33	4	TUERCA - STUD - CUBIERTA DE GUNITA M8 A2
2326000014	37	2	BOTONES NEUMATICOS O-ANILLO 24 x 3mm
2321000401	38.1	1	BOTON NEUMATICO COMPLETO - BOMBA
2321000404	38.2	1	BOTON NEUMATICO COMPLETO - LUCES
2300202060	47	2	TUBERIA DE AIRE - LUZ/BOMBA 4 x 1.5mm (PRICE PER 10M)
2302001046	48	2	ABRAZADERA - MANGUERA, BOTON NEUMATICO 6.8 - 8mm
5879860830	52	12	TORNILLO - ANILLO DE FIJACION, POZIDRIV/PAN M8 x 30mm A4
2302002954	54	2	BOQUILLA - 40mm
2302002056	56	2	ASIENTO - BOQUILLA
2302002057	58	2	SEPARADOR - BOQUILLA 6.2mm
2319800817	59	2	BORDE DE BOQUILLA
5879006023	60	6	TORNILLO DE ROSCA - BORDE DE BOQUILLA REDONDA, 6 x 22mm A4
5879006023	61	10	TORNILLO DE ROSCA - CARCASA DE BOQUILLA, 6 x 22mm A4
2326000013	62	1	ANILLO - CARCASA DE BOQUILLA 257 x 3mm
2326000004	63	1	CILINDRO DE CONTROL DE VOLUMEN
2303002964	64	1	EJE DE CONTROL DE VOLUMEN (COMPLETO)
2302002065	66	2	ARANDELA - EJE DE CONTROL DE VOLUMEN, 23 x 16.2 x1.5mm
2302002067	67	1	RETENEDOR - EJE, EJE DE CONTROL DE VOLUMEN
2302005236	93	1	CUBIERTA - RECTANGULAR
5871250800	94	4	ARANDELA - CUBIERTA RECTANGULAR 8.4mm A4
5879860820	95	4	PERNO - CUBIERTA RECTANGULAR, PHILLIPS M8 x 20mm
5879860880	95.1	4	PERNO - CUBIERTA RECTANGULAR, PHILLIPS M8 x 80mm
2302005237	96	4	ENCHUFE - CUBIERTA RECTANGULAR
2991000140	98	2	TORNILLO - AVELLANADO PHILLIPS M8 x 30mm
5030000105	101	1	VALVULA - CONTROL 1/2"
2326000003	102	1	CARCASA - BOQUILLA
2326000402	102.1	1	CARCASA - BOQUILLA COMPLETA
3932541201	107	1	ANILLO - LUZ 48 x 2mm
2607101019	108	1	ANILLO - LUZ 49 x 3.5mm
2326000037	109	1	LUZ LED 12V AC - BLANCO, 10M
2326000005	110	1	CUBIERTA DE LUZ
2321000022	111	1	PERILLA DEL REGULADOR AIRE
5879006023	112	4	TORNILLO DE ROSCA - CUBIERTA DE LUZ, 6 x 22mm A4
2920141230	113	1	ANILLO - VALVULA DE CONTROL, 19 X 3mm
2326000032	114	1	ANILLO - ACERO INOXIDABLE
2326000034	115	1	ADAPTADOR - ACERO INOXIDABLE, HEMBRA, PVC 3/4"
2301001030	116	1	ADAPTADOR - VALVULA DE CONTROL, MACHO, PVC 1/2"
5862432021	117	1	CONECTOR - LINEA DE REGULACION DEL AIRE M20 x 1/2"
5862432531	118	1	CONECTOR - CONDUCTO M25 x 3/4"
2920280729	SIN MUESTRA	1	CAJA DE CONTROL BJC-7-GFCI+CP SSII
<b>OPTIONAL PARTS</b>			
2326000036	109.1	1	LUZ LED 12V AC - MULTICOLOR, 10M
2326000038	109.2	1	LUZ LED 12V AC - AZUL, 10M
2326000010K	SIN MUESTRA	1	KIT CUBIERTA DE INVIERNO
2300003000	SIN MUESTRA	1	MANGUERA DE MASAJE 5 PIES. CON PULSADOR
2300003006	SIN MUESTRA	1	MANGUERA DE MASAJE 15 PIES. CON PULSADOR
2300022000	SIN MUESTRA	1	TAPON - BONQUILLA, CERRAR

---

# 7 Garantía Limitada

---

Speck Pumps-Pool Products, Inc. otorga únicamente al comprador original ("Comprador") del Sistema Badu® SwimJet (s) la siguiente garantía personal, intransferible y limitada en los siguientes términos y condiciones (la "Garantía limitada"): el Sistema Badu SwimJet (s) está garantizado de estar libre de defectos materiales en materiales o mano de obra bajo un uso normal durante un período de un (1) año a partir de la fecha en la que el comprador adquiere el Sistema Badu SwimJet (s) (el "Período de garantía limitada"). No obstante cualquier disposición contraria en el presente documento, las garantías y obligaciones no se ampliarán en cualquier caso a más de dos (2) años después de la fecha de embarque del Sistema Badu SwimJet (s) desde la fábrica (el "Período de garantía limitada"). La garantía limitada está sujeta a cada uno de los siguientes términos y condiciones adicionales:

**1. EN CASO DE CUALQUIER INCUMPLIMIENTO DE LA GARANTÍA LIMITADA, TODA OBLIGACION Y RESPONSABILIDAD DE SPECK PUMPS-POOL PRODUCTS, INC. AL COMPRADOR, Y LA ÚNICA Y EXCLUSIVA SOLUCIÓN DEL COMPRADOR SERÁ LO SIGUIENTE:**

Speck Pumps-Pool Products, Inc., a su elección, reparará o reemplazará el sistema Badu SwimJet (s) o el reembolsará al comprador el precio de compra efectivamente pagado por el comprador por el Sistema Badu SwimJet (s) sujeto a la Garantía Limitada. Speck Pumps-Pool Products, Inc. no tendrá ninguna obligación bajo la Garantía Limitada a menos comprador entregue oportunamente una notificación escrita a Speck Pumps-Pool Products, Inc. de la demanda de la garantía dentro del Periodo de Garantía Limitada y devuelva el sistema Badu SwimJet (s) a Speck Pumps-Pool Products, Inc. si se solicita. En la medida en que lo permita la ley, Speck Pumps-Pool Products, Inc. renuncia expresamente a cualquier responsabilidad, y la Garantía Limitada no incluye ni cubre, todo trabajo, costes u otros gastos relacionados con el traslado, transporte, embarque, seguro, sustitución, reparación o instalación de piezas reparadas o sustituidas o por cualquier otro coste o gasto o daño a la propiedad o cosas, incluyendo, pero no limitado a, los que surgen relacionados con el uso o la imposibilidad de usar, el sistema Badu SwimJet (s).

2. En la medida en que lo permita la ley, la Garantía Limitada será nula y sin efecto y Speck Pumps-Pool Products, Inc. no tendrá responsabilidad alguna ni obligaciones al comprador o con respecto al Sistema de Badu SwimJet (s) en el caso de que ocurra de uno o más de los siguientes:

- (a) Cualquier daño al sistema Badu SwimJet (s) causado por el comprador, cualquier tercero, movimiento del suelo, otras fuerzas naturales, fuerza mayor o cualquier otra fuente o causa que genere el incumplimiento de la Garantía Limitada, excluyendo uso y desgaste ordinario;
- (b) Cualquier sustitución, modificación, alteración o reparación de piezas o componentes del sistema(s) Badu SwimJet por cualquier persona que no sea de Speck Pumps-Pool Products, Inc.;
- (c) Cualquier abuso, mal uso, accidente, manipulación, instalación inadecuada o modificación del sistema Badu SwimJet (s) o cualquier otro tipo de acción, inacción u omisión que viole los términos y condiciones de esta Garantía Limitada;
- (d) La imposibilidad del comprador de presentar una factura, cuenta, recibo u otra documentación que evidencie claramente que el sistema SwimJet Badu (s) se instaló y se mantiene en estricto cumplimiento con esta Garantía Limitada y que la demanda fue presentada en tiempo dentro del Período de Garantía Limitada; y / o
- (e) La falta del comprador en cumplir con las condiciones y contingencias establecidas en el párrafo 3 siguiente.

3. La Garantía Limitada está condicionada y supeditada expresamente al estricto cumplimiento del comprador con cada uno de los siguientes:

- (a) Instalación del sistema Badu SwimJet por un profesional industrial experimentado y calificado en piscinas y un electricista con licencia dentro de la jurisdicción en la que se instala el sistema Badu SwimJet y será utilizado; y
- (b) Operación y mantenimiento del Sistema de Badu SwimJet (s) del Comprador en estricta conformidad con los manuales impresos de operación y mantenimiento de Speck Pumps-Pool Products, Inc. entregados con el sistema Badu SwimJet.

---

## Garantía Limitada - Continuación

---

**4. EXENCIÓN DE RESPONSABILIDAD: LA GARANTÍA LIMITADA ES LA ÚNICA GARANTÍA DADA Y REEMPLAZA TODAS LAS OTRAS GARANTÍAS, Y CUALQUIER Y TODA GARANTÍA O CONDICIÓN IMPLÍCITA DE COMERCIALIZACIÓN, LA GARANTÍA IMPLÍCITA CONTRA LA INFRACCIÓN Y LA GARANTÍA O CONDICIÓN IMPLÍCITA DE APTITUD PARA UN PROPÓSITO PARTICULAR, SON EXPRESAMENTE LIMITADAS AL ALCANCE Y DURACIÓN DEL PLAZO DEL AÑO DE LA GARANTÍA ANTERIORMENTE EXPUESTA. ALGUNOS ESTADOS NO PERMITEN LIMITACIONES EN LA DURACIÓN DE LAS GARANTÍAS IMPLÍCITAS, POR LO QUE LA LIMITACIÓN ANTERIOR NO SE APLICA AL COMPRADOR.**

**5. EN LA MEDIDA EN QUE LO PERMITA LA LEY, EN NINGÚN CASO SPECK PUMPS-POOL PRODUCTS, INC. O SUS OFICIALES, DIRECTORES, EMPLEADOS, ACCIONISTAS, AGENTES O REPRESENTANTES SERÁN RESPONSABLES POR DAÑOS O PÉRDIDAS ESPECIALES, INDIRECTAS, INCIDENTALS, PUNITIVAS O CONSECUENCIAS, INCLUYENDO EL TIEMPO, EL DINERO, LA BUENA VOLUNTAD Y PÉRDIDA DE GANANCIAS EN CUALQUIER FORMA QUE PUEDAN SURGIR O DEL USO O IMPOSIBILIDAD DE USO DEL SISTEMA BADU SWIMJET (S) O DE INCUMPLIR CUALQUIER OBLIGACIÓN BAJO ESTA GARANTÍA LIMITADA. ESTE PÁRRAFO, EL DESCARGO DE RESPONSABILIDAD EN EL PÁRRAFO 4, Y LA ÚNICA Y EXCLUSIVA SOLUCIÓN ESTABLECIDA EN EL PÁRRAFO 1 SE APLICARÁN AÚN CUANDO SPECK PUMPS-POOL PRODUCTS, INC. HAYA SIDO NOTIFICADA DE LA POSIBILIDAD O PROBABILIDAD DE TALES DAÑOS OCASIONADOS, SI TAL RESPONSABILIDAD SE BASA EN UN CONTRATO, AGRAVIO, NEGLIGENCIA, RESPONSABILIDAD ESTRICTA, RESPONSABILIDAD POR LOS PRODUCTOS O EN OTRO CASO, Y AUNQUE EL RECURSO EN LA PRESENTE NO CUMPLE CON SU PROPÓSITO FUNDAMENTAL. ALGUNOS ESTADOS NO PERMITEN LA EXCLUSIÓN O LIMITACIÓN DE DAÑOS O PÉRDIDAS ESPECIALES, INDIRECTAS, EJEMPLARES O CONSECUENTES, POR LO QUE LAS EXCLUSIONES ANTERIORES NO SE APLICAN.**

6. Esta garantía limitada le da al comprador derechos legales específicos, y el comprador también puede tener otros derechos que varían de estado a estado.

7. Se debe obtener una autorización de devolución de mercancía ("RMA") de Speck Pumps-Pool Products, Inc. antes de devolver cualquier producto. Los productos devueltos sin una RMA serán rechazados y devueltos, sin abrir, al comprador. Todos los productos devueltos deben ser enviados con flete y seguro prepago para la protección del comprador al fabricante en calle Bayberry 8125, Jacksonville, Florida 32256 EE.UU. En ningún caso se aceptarán los productos después de la expiración del periodo de garantía limitada. Speck Pumps-Pool Products, Inc. no se hará cargo de todos los costos o riesgos incurridos por el comprador en el envío de un sistema defectuoso Badu SwimJet (s) a Speck Pumps-Pool Products, Inc. o en el envío de un Sistema SwimJet Badu reparado o reemplazado al Comprador.

