

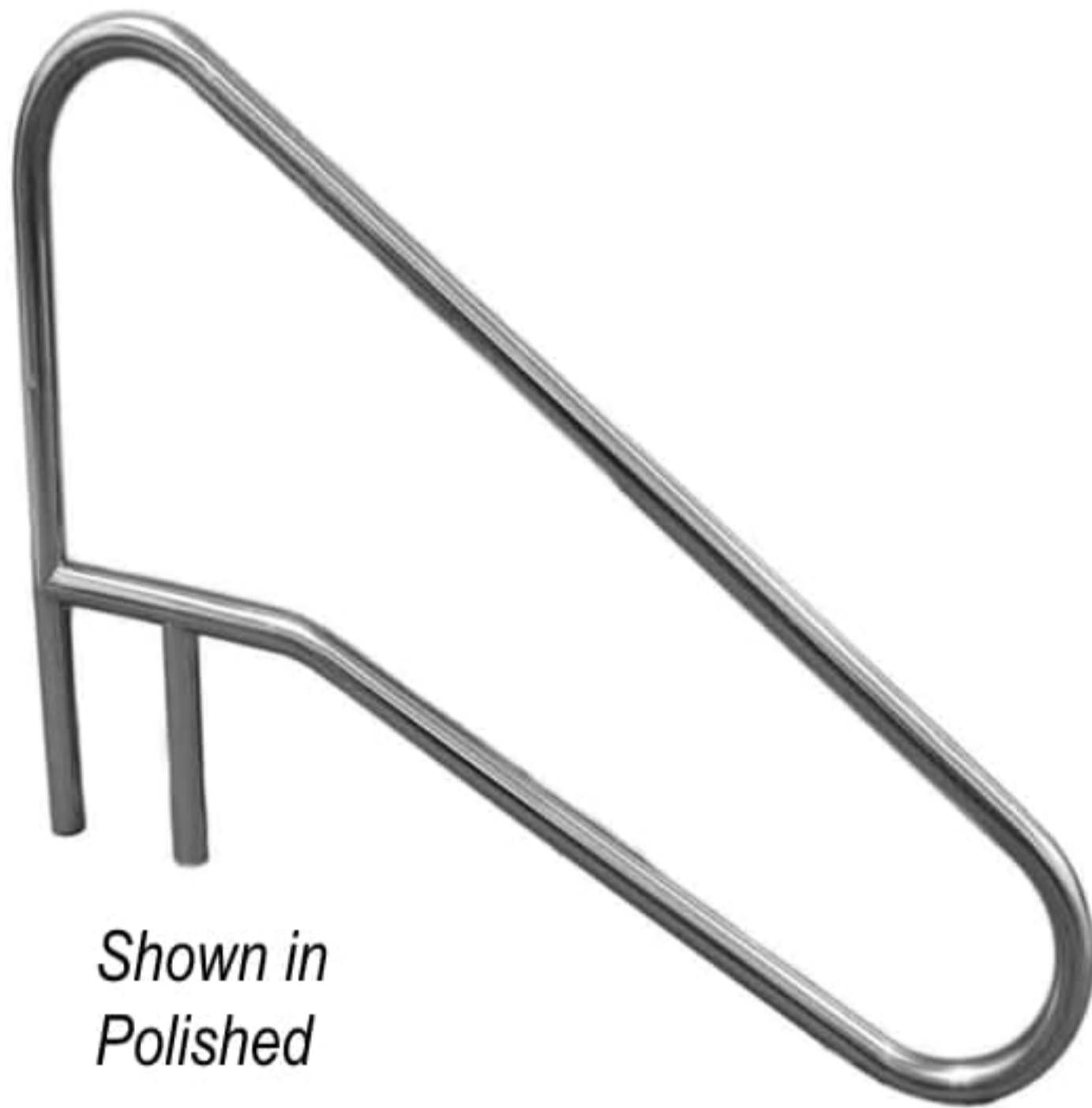


GLOBAL

POOL PRODUCTS

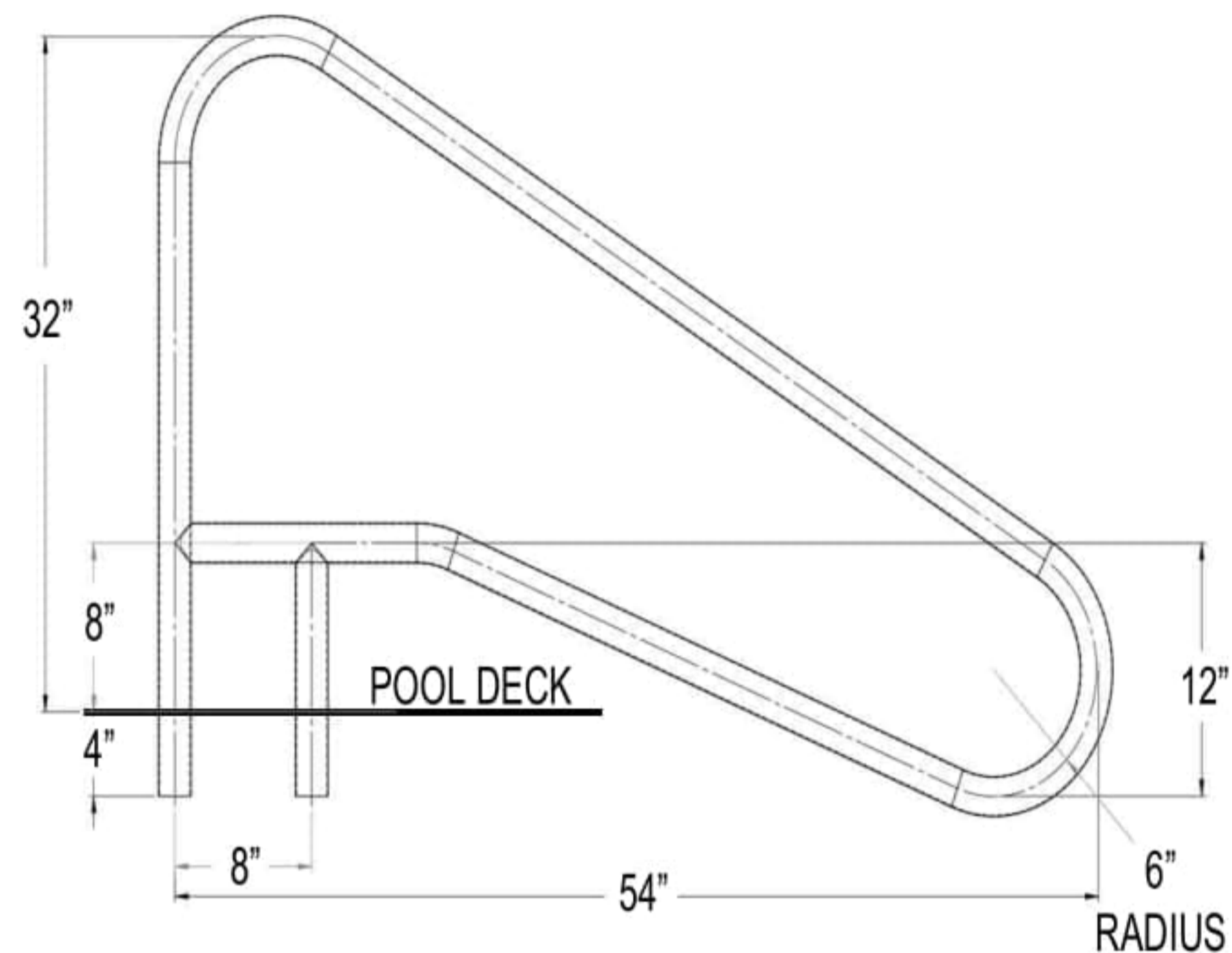
"committed to engineering and manufacturing world class products in the pool industry"

CLASSIC 3 BEND DIP to WATER WELDED BRACE HANDRAIL



Shown in Polished

-  White
-  Polished
-  Copper Vein
-  Silver Vein



Part Number	Description
GPP-RL-C49-4BND-WB-SS	CLASSIC 3 BEND W/B DIP TO WATER HANDRAIL POLISHED .049" WALL
GPP-RL-C65-4BND-WB-CV	CLASSIC 3 BEND W/B DIP TO WATER HANDRAIL COPPER VEIN .065" WALL
GPP-RL-C65-4BND-WB-SV	CLASSIC 3 BEND W/B DIP TO WATER HANDRAIL SILVER VEIN .065" WALL
GPP-RL-C65-4BND-WB-SS	CLASSIC 3 BEND W/B DIP TO WATER HANDRAIL POLISHED .065" WALL
GPP-RL-C65-4BND-WB-WH	CLASSIC 3 BEND W/B DIP TO WATER HANDRAIL WHITE .065" WALL
GPP-OTE-AHC8	4" ALUMINUM ANCHOR SOCKET W/ 8" CHANNEL

The Classic 3 Bend Handrail Dip to Water with welded brace has several options to help customize your handrail to your liking. This handrail is constructed of a 1.90" stainless steel tube with optional wall thicknesses of .049" or .065", while having the color options of white, polished or one of the premium powder coat colors that include copper or silver vein.

Note: The .049" wall thickness is ONLY offered in polished. The .065" wall option is also offered marine grade. When ordering add "-M" to the end of the part number on the .065" handrail. Anchor socket is 4" and constructed out of aluminum (GPP-OTE-AHC8). Anchors are not included.

