




SMARTPOOL SCRUBBER®60 PLUS (NC74) ROBOTIC POOL CLEANER OPERATION MANUAL

IMPORTANT SAFETY INSTRUCTIONS

READ AND FOLLOW ALL INSTRUCTIONS

-  **DANGER:** Risk of electrical shock or electrocution – The electrical supply to this product must be installed in accordance with the National Electrical Code and all applicable local codes and ordinances. Improper installation will create an electrical hazard which could result in death or serious injury to pool users or others due to electrical shock, and may also cause damage to property.
-  **WARNING:** DO NOT USE EXTENSION CORDS - DEATH OR INJURY CAN RESULT.
-  **WARNING:** To reduce the risk of injury, do not permit children to use this product unless they are closely supervised at all times
-  **WARNING:** If ambient air temperature exceeds 115° F., protect the power supply from direct sunlight. Do not cover the power supply.
-  **WARNING:** The sole purpose of this product is for use as a robotic pool cleaner as described in this manual; any modification or other use will void the warranty.
-  **WARNING:** Do not allow children to use, touch, or play near or around the units' power supply.
-  **WARNING:** A Ground Fault Current Interrupter (GFCI-USA) and Earth Leak Interrupter (ELI-EU) must be installed to protect your electrical outlet and to prevent any possible electric shock. Failure to do so could create an electrical hazard which could result in death or serious injury to pool users or others due to electrical shock and may also cause damage to property.
-  **WARNING:** Do not connect unit to AC power until installation has been completed.
-  **WARNING:** Do not use if unit is damaged in any way.
-  **WARNING:** Unit must be completely submerged in water or warranty is void.
-  **WARNING:** Make sure the robotic pool cleaner is unplugged from its power supply before opening the unit or performing any other maintenance.
-  **WARNING:** To avoid damage to the power supply and cord, never carry the power supply by the cord or pull on the cord to disconnect from an outlet. Instead, disconnect by pulling the plug, itself, from the outlet. Do not pull cord around sharp corners or edges.
-  **WARNING:** Do not play with the cleaner or cable or apply to body. It can trap or tear hair or body parts. The cable can trip or entangle swimmers which could result in drowning.
-  **WARNING:** Do not operate with a damaged cord or power supply.
-  **WARNING:** Before installing the cleaner, understand the cleaners coverage. The cleaner was not designed to automatically clean steps or to work under solar covers. It was also not designed to do initial clean up for a new pool installation.
-  **WARNING:** Your cleaner should not be used while people are swimming in the pool.
-  **WARNING:** The power supply must be at least 12 feet / 4 meters from the pool's edge at all times!
-  **CAUTION:** It is recommended that you clean your filter bag and check the impeller to make sure it is free and clear of debris after every use.
-  **CAUTION:** Disconnect the power supply from the outlet when not in use.
-  **CAUTION:** DO NOT switch the pool cleaner to "ON" if it is not immersed in the water. Operation the cleaner out of the water may cause severe damage and will result in loss of warranty. Always remember to turn the power supply "OFF" and unplug it from the power outlet before removing the cleaner from the pool.
-  **CAUTION:** If your robotic pool cleaner is not working as it should or has been dropped or damaged in any way, contact SmartPool, Inc. Customer Service before using at 1-732-730-9880 or visit our website at www.smartpool.com.

SAVE THESE INSTRUCTIONS

Congratulations on your purchase of the most technologically advanced automatic pool vacuum available today. The Scrubber60 Plus is easy to use and will make maintaining your pool affordable and effortless. Following these simple directions will insure that the Scrubber60 Plus will quickly and efficiently clean your pool today and for many years to come.

INSTALLATION

- Place the power supply in an area that will allow the cleaner to cover all areas of the pool.
- Be sure to only plug the power supply into a GFCI (ground fault current interrupter) or ELL (earth leak interrupter) protected electrical outlet.
- Look at the power supply and check that the power supply switch is in the off position (middle switch position).
- Plug the power supply into the GFCI or ELL protected outlet.
- Plug in the connector from the cleaner into the socket. The connector is keyed so that it will only plug into the socket one way. Make sure that the plug is pushed all the way onto the socket. Slide the connector lock (strain relief) onto the connector and turn the connector lock clockwise until it is snug.

DO NOT RUN THE CLEANER OUT OF THE WATER.

OPERATING THE CLEANER OUT OF THE WATER WILL DAMAGE THE MOTORS AND VOID THE WARRANTY

- Place the cleaner into the pool and if needed rock the cleaner side to side to release any trapped air. The cleaner will sink to the bottom of the pool.
- Put enough of the low voltage floating cable into the water to assure that the cleaner can easily reach all areas of the pool.
- **ONE HOUR FAST-TRACK OPERATION:** Press the One Hour FAST-TRACK switch as shown in Figure PS1. The robot will automatically begin its cleaning program and a **yellow LED** will light on the power supply. **NOTE:** When in the FAST-TRACK Mode, the robot will not climb the walls, but rather will concentrate its cleaning efforts on the floor where the majority of debris is located. The unit operates in a slow but steady coverage pattern, and will automatically shut off after 60 minutes. To end the cleaning cycle manually, press the middle button (off switch) - Figure PS1.
- **3 HOUR WALL CLIMBING OPERATION:**
Press the 3 hour (Complete-Clean) Mode switch on the power supply as shown in Figs PS1. The Robot will automatically begin its cleaning program and a **red LED** will light on the power supply. **NOTE:** The unit will climb the walls during this cleaning cycle. The robot will automatically turn off after 3 hours. To end the cleaning cycle early, press the middle (off switch) - Figure PS1.
- If a second cleaning is required or the unit is accidentally shut off, make sure the unit is manually switched off, and wait 30 seconds before switching the unit on again.

Figure. PS1



IMPORTANT NOTE: During normal operation, the cleaner will appear to shut off for a few seconds. This is normal and part of the pool cleaning program. The unit has multiple ways of cleaning the walls. It may climb to the top, scrub, then make a turn and drive back down the wall to the bottom of the pool. It may also climb to the top, shut down for a few seconds, remove itself from the wall, turn its pump motor on again, pushing itself down to the bottom of the pool away from the wall. It could also climb the wall, scrub the waterline, turn its pump motor off, and float away from the wall down to the bottom. All of these variations have been programmed into the cleaner and are designed to quickly and efficiently clean your entire pool. This unit has been designed to clean all areas of your pool. It will climb the walls, and occasionally break the surface. In the process of climbing the wall it may stay on the surface and continue to operate from several seconds to a few minutes. This is normal and the cleaner will eventually make its way to the bottom to continue its cleaning. Since most of the dirt is concentrated on the floor of the pool, the cleaner will spend the majority of its time on the floor.

REMOVING THE CLEANER FROM THE POOL

- Slowly pull the floating cord to get the cleaner to the pool surface and near the edge of the pool. **DO NOT PULL THE CLEANER OUT OF THE POOL BY THE CORD.**
- Reach down and grasp the handle of the cleaner and remove it from the pool as shown in Figures 1 and 2 .



FIGURE 1: Grasping Handle



FIGURE 2: Lift from Pool by Handle

CLEANING THE FILTER BAG (Filter Bag Should Be Cleaned After Every Use.)

- Turn cleaner upside down and place on ground so the bottom lid is exposed.
- Press the two red tabs inward towards the center of the cleaner as shown in figure 3. Lift the bottom lid with the filter bag up and out of the cleaner.

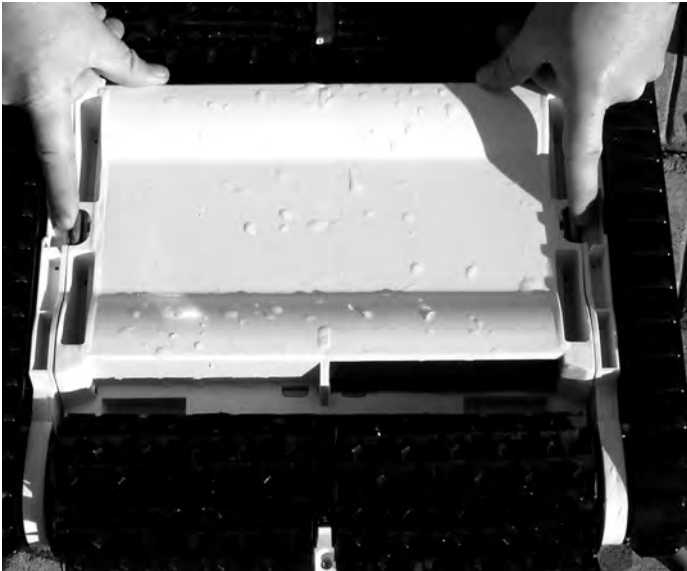


FIGURE 3

- Grasp the bottom lid firmly, with one hand and use your other hand to grab the filter bag material and pull it away and up from the bottom lid (see Figure 4).

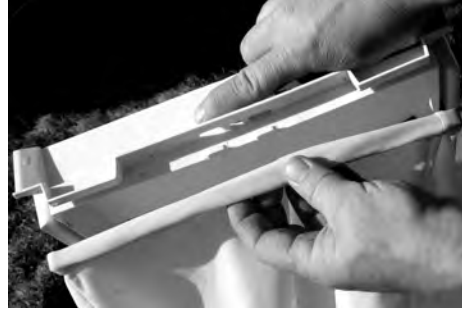


FIGURE 4

- Turn filter bag inside out and hose off all debris as shown in Figure 5. If very dirty it may be washed in your washing machine, inside out, with cold water, mild detergent, and by itself. **Do NOT** put in the dryer.

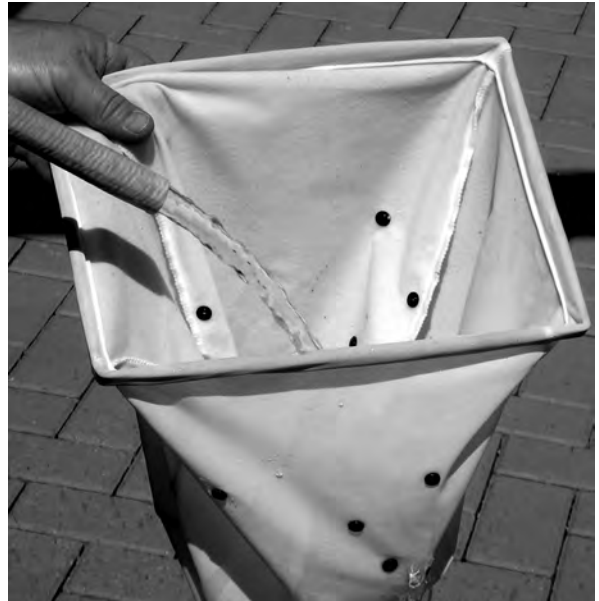


FIGURE 5

- Hose all debris off the bottom lid being sure to get all dirt out of the fine filters on the intake doors as shown in Figure 6.



FIGURE 6

- To reapply the filter bag, first turn it right side out. Next place the filter bag frame onto the bottom lid being sure that the bag frame seats fully into the channel. Press down on all corners to ensure fit. Check the seat of the filter onto the bottom lid (see Figure 7)



FIGURE 7

- Pick up the bottom lid and turn it over so the bag hangs below it (see Figure 8). Place the bottom lid back into the cleaner being careful to feed the filter bag into the body of the cleaner. **MAKE SURE ALL FILTER MATERIAL IS INSIDE THE CLEANER OTHERWISE THE LID WILL NOT CLOSE AND LATCH PROPERLY.**



FIGURE 8

- Once the bottom lid is seated press it firmly into the cleaner. Gently pull on the bottom lid to insure that it is properly locked in. The lid is now installed.

CABLE MAINTENANCE

UNCOILING THE CABLE

In the course of using your Direct Command Plus, the cord may begin to coil. Excessive coiling can lead to improper cleaning coverage of your pool.

- To uncoil the cord, it is best that the cable is wet.
- Place the cleaner on the ground as shown in Figure 9.
- Be sure to use a clear area that will allow the cord to stretch out in a straight line.
- Unplug the cable from the power supply.
- Pull the cable so it is off the ground
- Using your fingers, roll the cable in the opposite direction that it is coiled in.

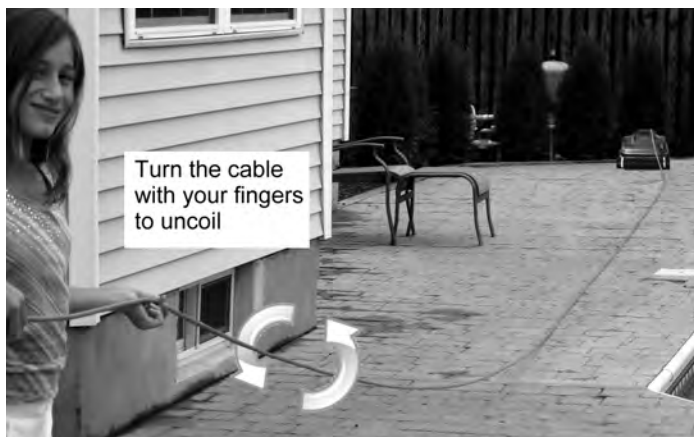


FIGURE 9

STORING THE CABLE

- Loosely loop the cable as shown in Figure 10.



FIGURE 10

- Hold the cord close to the cleaner.
- Make a roughly two foot loop with the cord as shown.
- When making loop, roll the cable slightly in a counter clockwise manner to maintain form.

DO NOT WRAP THE CORD TIGHTLY AROUND OBJECTS.

STORAGE

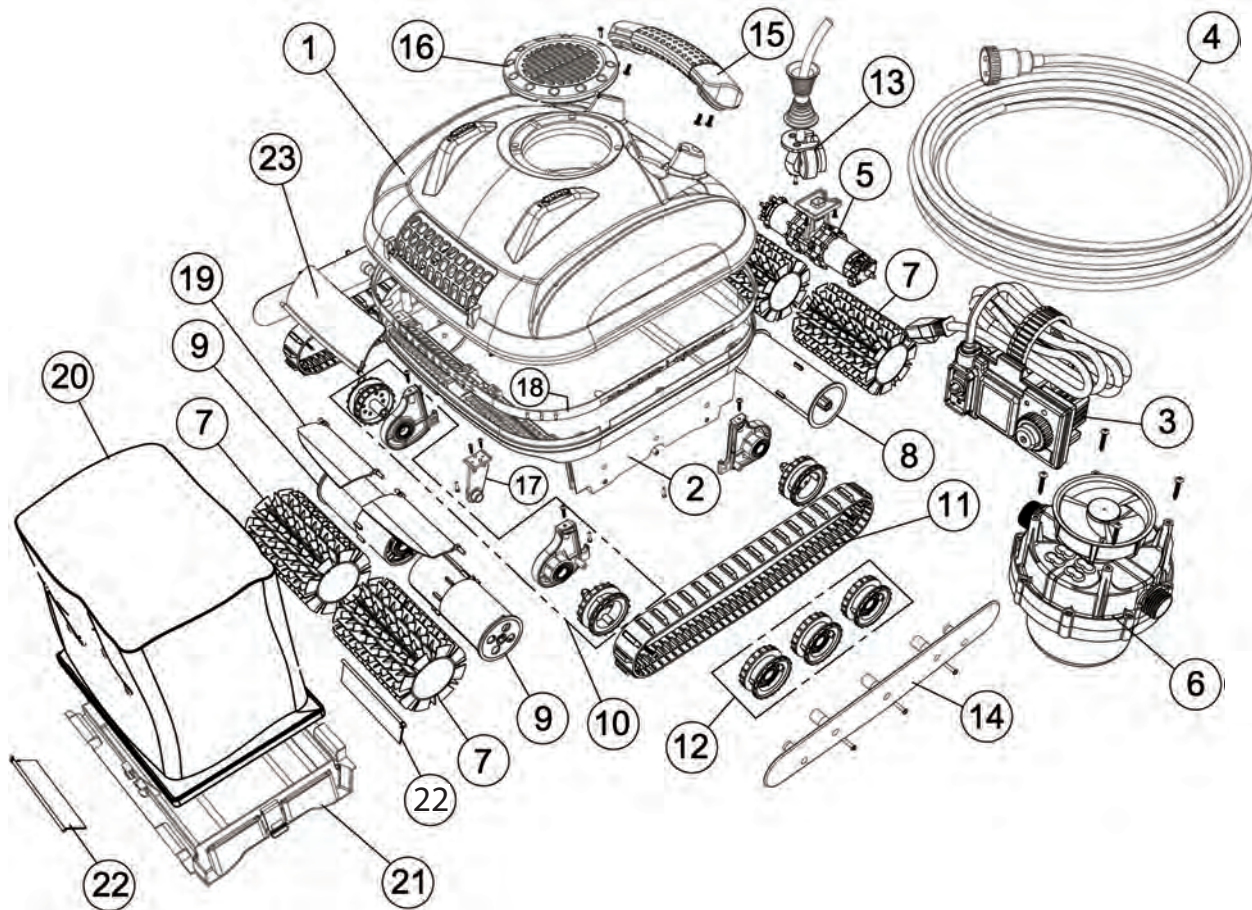
WINTER

If temperatures will regularly be below 45 degrees Fahrenheit or 5 degrees Celsius, the cleaner and power supply should be stored indoors.

SUMMER

The unit should be stored in an area that will afford some protection from the elements to insure that it retains its finish. **DO NOT STORE NEAR OPEN CHEMICALS**

SMARTPOOL SCRUBBER60 PLUS NC74 PARTS LIST



Location	Part #	Description
1	NC7415	Replacement Top Shell
2	NC7106	Replacement Chassis (Black Only)
3	NC7122QC	Power Supply (NC74)
4	NC7123RC	Anti-Twist Floating Cord (NC74)
5	NC7107	Drive Motor (L & R with Support Bracket)
6	NC7113	Pump Motor (NC74)
7	NC1004	Drive Brush (Set of 2)
8	NC7108	Drive Wheel Tube Assembly (1 Each)
9	NC7112	Non Drive Wheel Tube (1 Each)
10	NC7104	Brush Mount (Includes Bearing and Drive Wheel)
11	NC7116	Tracks (Set of 2)
12	NC7117	Track Wheels (Set of 6)
13	NC7105	Cable Strain Relief
14	NC7118	Replacement Track Wheel Covers (Set of 2) (Black Only)
15	NC7409	Replacement Handle
16	NC7410	Replacement Impellor Cover
17	NC7103	Brush Center Bracket
18	NC7119	Replacement Upper and Lower Gasket Seal (Black Only)
19	NC7111	Replacement Inner Quick Drain Flaps (Black Only)
20	NC7120	Filter Bag
21	NC7102	Replacement Bottom Lid (Black Only)
22	NC7101	Bottom Lid Door (Set of 2)
23	NC7414	Replacement Top Return Flap

SmartPool reserves the right to revise without notice. SmartPool is not responsible for typographical errors.

TROUBLESHOOTING GUIDE

ERROR	REASON(S)	SUGGESTION(S)
PUMP AND DRIVE MOTORS NOT OPERATING	AC OUTLET/GFI	CHECK AC OUTLET/RESET THE GFI OR TRY ANOTHER OUTLET
	POWER SUPPLY RESET	TURN THE POWER SUPPLY OFF AND UNPLUG THE POWER SUPPLY FROM THE AC OUTLET. WAIT 30 SECONDS AND TURN POWER SUPPLY ON.
	EXTENSION CORD	TRY PLUGGING THE POWER SUPPLY DIRECTLY INTO AN OUTLET
NOT MOVING	BRUSHES WORN	CHECK BRUSHES AND REPLACE IF NECESSARY
	DEBRIS CAUGHT IN TRACKS/BRUSHES/IMPELLER	CHECK FOR DEBRIS AND CLEAN WITH A GARDEN HOSE/MAY HAVE TO REMOVE IMPELLER CAP (1 SCREW)
	CLEANER CAUGHT ON OBSTRUCTION IN POOL	TURN THE CLEANER OFF AND GENTLY PULL ON THE CORD TO REMOVE IT FROM OBSTRUCTION
	FILTER BAG INSTALLATION	RUN THE CLEANER WITHOUT THE FILTER BAG AND CHECK THE BOTTOM LID/FILTER BAG FOR PROPER INSTALLATION
	TRACKS FALLEN OFF	CHECK TO SEE IF THE TRACKS ARE LOOSE OR HAVE FALLEN OFF COMPLETELY
NO SUCTION	FILTER BAG INSTALLATION	RUN THE CLEANER WITHOUT THE FILTER BAG AND CHECK THE BOTTOM LID/FILTER BAG FOR PROPER INSTALLATION
	FILTER BAG FULL	CLEAN THE FILTER BAG THOROUGHLY WITH A GARDEN HOSE
	DEBRIS IN FAN/IMPELLER	CHECK FOR DEBRIS AND CLEAN WITH A GARDEN HOSE/MAY HAVE TO REMOVE IMPELLER CAP (1 SCREW)
STARTS AND STOPS	FILTER BAG INSTALLATION	RUN THE CLEANER WITHOUT THE FILTER BAG AND CHECK THE BOTTOM LID/FILTER BAG FOR PROPER INSTALLATION
	FILTER BAG FULL	CLEAN THE FILTER BAG THOROUGHLY WITH A GARDEN HOSE
	DEBRIS CAUGHT IN TRACKS/BRUSHES/IMPELLER	CHECK FOR DEBRIS AND CLEAN WITH A GARDEN HOSE/MAY HAVE TO REMOVE IMPELLER CAP (1 SCREW)
	BRUSHES WORN	CHECK THE BRUSHES AND RING (IF APPLICABLE) FOR WEAR/HOLES WHICH WILL INHIBIT THE CLEANER'S PERFORMANCE
	CAUGHT ON SOMETHING IN POOL	TURN THE CLEANER OFF AND GENTLY PULL ON THE CORD TO REMOVE IT FROM OBSTRUCTION
BACK & FORTH/DOING WHEELIES OR SPINNING IN CIRCLES	FILTER BAG INSTALLATION	RUN THE CLEANER WITHOUT THE FILTER BAG AND CHECK THE BOTTOM LID/FILTER BAG FOR PROPER INSTALLATION
	DEBRIS CAUGHT IN TRACKS/BRUSHES/IMPELLER	CHECK FOR DEBRIS AND CLEAN WITH A GARDEN HOSE/MAY HAVE TO REMOVE IMPELLER CAP (1 SCREW)
	CLEANER CAUGHT ON OBSTRUCTION IN POOL	TURN THE CLEANER OFF AND GENTLY PULL ON THE CORD TO REMOVE IT FROM OBSTRUCTION
	TRACKS FALLEN OFF	CHECK TO SEE IF THE TRACKS ARE LOOSE OR HAVE FALLEN OFF COMPLETELY
NOT CLIMBING	FILTER BAG INSTALLATION	RUN THE CLEANER WITHOUT THE FILTER BAG AND CHECK THE BOTTOM LID/FILTER BAG FOR PROPER INSTALLATION
	DEBRIS CAUGHT IN TRACKS/BRUSHES/IMPELLER	CHECK FOR DEBRIS AND CLEAN WITH A GARDEN HOSE/MAY HAVE TO REMOVE IMPELLER CAP (1 SCREW)
	FILTER BAG FULL	CLEAN THE FILTER BAG THOROUGHLY WITH A GARDEN HOSE
	BRUSHES WORN	CHECK THE BRUSHES AND RING (IF APPLICABLE) FOR WEAR. REPLACE IF NECESSARY
	POOL CHEMISTRY (ALGAE GROWTH)	HAVE THE WATER CHEMISTRY CHECKED BY A POOL PROFESSIONAL AND/OR BRUSH THE POOL WALLS
CORD TANGLING	FLOATING CORD NOT BEING UNPLUGGED FROM POWER SUPPLY REGULARLY	MAKE SURE THE CABLE IS BEING UNPLUGGED FROM THE POWER SUPPLY AFTER EVERY 1-2 CYCLES TO RELEASE THE TENSION THAT BUILDS DURING A CYCLE
	EXCESS CORD IN POOL	ONLY USE THE NECESSARY AMOUNT OF CABLE TO COVER THE POOL EFFICIENTLY
	CORD NOT BEING UNWOUND BEFORE USE	MAKE SURE THE CABLE IS STRAIGHTENED OUT BEFORE THE CYCLE IS STARTED/WALK THE CLEANER THE LENGTH OF THE POOL TO STRAIGHTENED CORD
	CORD BEING WRAPPED/STORED INCORRECTLY	WHEN WRAPPING THE CABLE, MAKE LARGE LOOPS AND START AT THE CLEANER END SO THE FREE, PLUG END CAN UNWIND ANY RESIDUAL TENSION
UNIT FLOATING	AIR TRAPPED IN FILTER BAG	ROCK THE CLEANER BACK AND FORTH UNDER WATER TO RELEASE ANY TRAPPED AIR
	CLEANER CLIMBING TOO HIGH REGULARLY	A WEIGHT CAN BE ADDED TO THE CLEANER TO PREVENT IT FROM CLIMBING TOO HIGH AND TO ASSIST IN THE DESCENT BACK TO THE FLOOR
	D.E. PRESENT IN FILTER BAG	IF THERE IS D.E. IN THE POOL, IT COULD CLOG THE BAG. CLEAN THE BAG THOROUGHLY

If your cleaner is still not performing properly after all of the troubleshooting has been performed please contact SmartPool, Inc. Technical Service at 1-732-730-9880.

2-YEAR LIMITED WARRANTY

This product has been manufactured, tested and inspected in accordance with carefully specified engineering requirements. It is warranted to be free from defects in materials and workmanship under normal use and service, subject to qualifications, conditions and limitations described below.

SmartPool, Inc. 2 Year Limited Warranty:

One year full warranty, 2 years on Drive Motor and Pump Motor. This warranty applies only while using this product in the United States and Canada.

This warranty extends to the first consumer/purchaser for a period of 24 months from the original date of purchase.

This warranty covers only normal and reasonable use. Any damage, defects, malfunctions or other failures arising from its use without the original transformer or any use which does not comply with the instructions in this manual, including failure of the purchaser to provide reasonable and necessary maintenance, will void this warranty.

The warranty obligations of SmartPool, Inc. shall be limited to repair or replacement of the product or any defective component, at the discretion of SmartPool, Inc. The repair or replacement may include the use of refurbished components and/or units. SmartPool, Inc. will not be liable or responsible under any circumstances or in any amount for any consequential or incidental damages, for any injury or damages to persons or property using or used in connection with this product, or for loss of profits or other costs or expenses of any kind or character.

This warranty does not include replacements of the filter bag, bottom lid, brushes and tracks.

THERE ARE NO OTHER WARRANTIES OR REPRESENTATIONS, EITHER EXPRESSED OR IMPLIED, WHETHER OF MERCHANTABILITY, FITNESS FOR A PARTICULAR PURPOSE, OR OTHER, MADE BY SMARTPOOL, INC. OTHER THAN THOSE SPECIFICALLY SET FORTH IN THIS WARRANTY. NO PERSON, FIRM, OR CORPORATION IS AUTHORIZED TO MAKE ANY REPRESENTATIONS OR INCUR ANY OBLIGATIONS IN THE NAME OF OR ON BEHALF OF SMARTPOOL, INC., EXCEPT AS STATED HEREIN. THE REMEDIES SET FORTH IN THIS WARRANTY ARE EXPRESSLY UNDERSTOOD TO BE THE EXCLUSIVE REMEDIES AVAILABLE TO THE PURCHASER, AND THIS WARRANTY CONTAINS THE FULL AND COMPLETE AGREEMENT BETWEEN SMARTPOOL, INC. AND THE PURCHASER. THIS WARRANTY SETS FORTH THE ONLY OBLIGATIONS OF SMARTPOOL, INC. WITH REGARDS TO THIS PRODUCT, AND THERE ARE NO WARRANTIES WHICH EXTEND BEYOND THE DESCRIPTION ON THE FACE HEREOF.

This warranty gives you specific legal rights and you may also have other rights which vary from state to state.

To obtain warranty service, call SmartPool, Inc. Customer Support Specialist at 1-732-730-9880, Monday – Friday, 9:00 a.m. – 5:00 p.m. EST.

CAUTION:

Some vinyl liners are more susceptible to surface wear and pattern removal than others, caused by objects such as brushes, toys, floats, chlorine dispensers, and automatic pool cleaners coming into contact with the vinyl surface. Such patterns can be easily scratched or abraded merely by rubbing the surface with a brush. Pattern ink can also rub off when they come into contact with objects in the pool. SmartPool, Inc. is not responsible for, nor does this limited warranty cover pattern removal, abrasion, and markings on or damage to any kind of vinyl liner.

GARANTIE LIMITÉE DE DEUX ANS

Ce produit a été fabriqué, testé et vérifié conformément aux exigences techniques particulières. Il est garanti contre les défauts matériels et les vices de fabrication dans des conditions normales d'utilisation, et il est soumis aux conditions et aux limitations décrites ci-dessous.

Garantie limitée de deux ans de SmartPool, Inc. :

Garantie complète d'un an et garantie de deux ans sur le moteur d'entraînement et sur le moteur d'aspiration. La présente garantie s'applique uniquement à l'utilisation du produit au Canada et aux États-Unis.

La garantie est offerte au premier acheteur ou consommateur pendant une durée de 24 mois suivant la date initiale de l'achat.

La garantie porte uniquement sur l'utilisation normale et raisonnable. Tout dégât, défaut, mauvais fonctionnement ou toute autre défectuosité résultant de l'utilisation de l'unité sans le transformateur d'origine ou de toute utilisation non conforme aux instructions contenues dans le présent guide, notamment le défaut d'entretien raisonnable et nécessaire par l'acheteur, annule la présente garantie.

Les obligations de la garantie de SmartPool, Inc. sont limitées à la réparation ou au remplacement du produit ou de tout composant défectueux, au gré de SmartPool, Inc. La réparation ou le remplacement peut inclure le recours aux composants et aux appareils remis à neuf. En aucun cas ou pour quelque montant que ce soit, SmartPool, Inc. ne sera tenu responsable de dommages indirects ou accidentels, de préjudices ou de blessures survenus à des personnes utilisant l'appareil, ou à des biens utilisés en rapport avec celui-ci, ou encore d'aucune perte de profit ou coûts et dépenses de quelque type ou nature que ce soit.

La présente garantie ne porte pas sur le remplacement du sac à filtre, du couvercle inférieur, des grosses, ou des chenilles.

SMARTPOOL, INC. N'A CONCÉDÉ AUCUNE AUTRE GARANTIE ET N'A FORMULÉ AUCUNE DÉCLARATION EXPRESSE OU IMPLICITE CONCERNANT LA QUALITÉ MARCHANDE, L'ADAPTATION À UN USAGE PARTICULIER OU AUTRE, EN DEHORS DES DISPOSITIONS EXPRESSEMENT INDIQUÉES DANS LA PRÉSENTE GARANTIE. AUCUNE PERSONNE, PERSONNE MORALE OU ENTREPRISE N'EST AUTORISÉE À FAIRE DES OBSERVATIONS OU À CONTRACTER DES OBLIGATIONS AU NOM DE SMARTPOOL, INC., À L'EXCEPTION DES DISPOSITIONS MENTIONNÉES AUX PRÉSENTES. LES PROCÉDURES DE RECOURS MENTIONNÉES DANS LA PRÉSENTE GARANTIE SONT EXPRESSEMENT COMPRISSES COMME ÉTANT DES PROCÉDURES DE RECOURS DISPONIBLES POUR LE PROPRIÉTAIRE DE L'APPAREIL, ET CETTE GARANTIE CONSTITUE L'ACCORD INTÉGRAL ET EXHAUSTIF ENTRE SMARTPOOL, INC. ET LE PROPRIÉTAIRE DE L'APPAREIL. LA PRÉSENTE GARANTIE ÉTABLIT LES SEULES OBLIGATIONS DE SMARTPOOL, INC. RELATIVES À L'APPAREIL; IL N'EXISTE AUCUNE AUTRE GARANTIE S'ÉTENDANT AU-DELÀ DE LA DESCRIPTION FAITE AUX PRÉSENTES.

La présente garantie vous octroie des droits reconnus par la loi, et il se peut que vous ayez d'autres droits variant d'un État à l'autre, ou d'une province à l'autre.

Pour obtenir un service au titre de la garantie, appelez un représentant technique (Customer Support Specialist) de SmartPool, Inc. au 1-732-730-9880, du lundi au vendredi de 9 h à 17 h HNE.

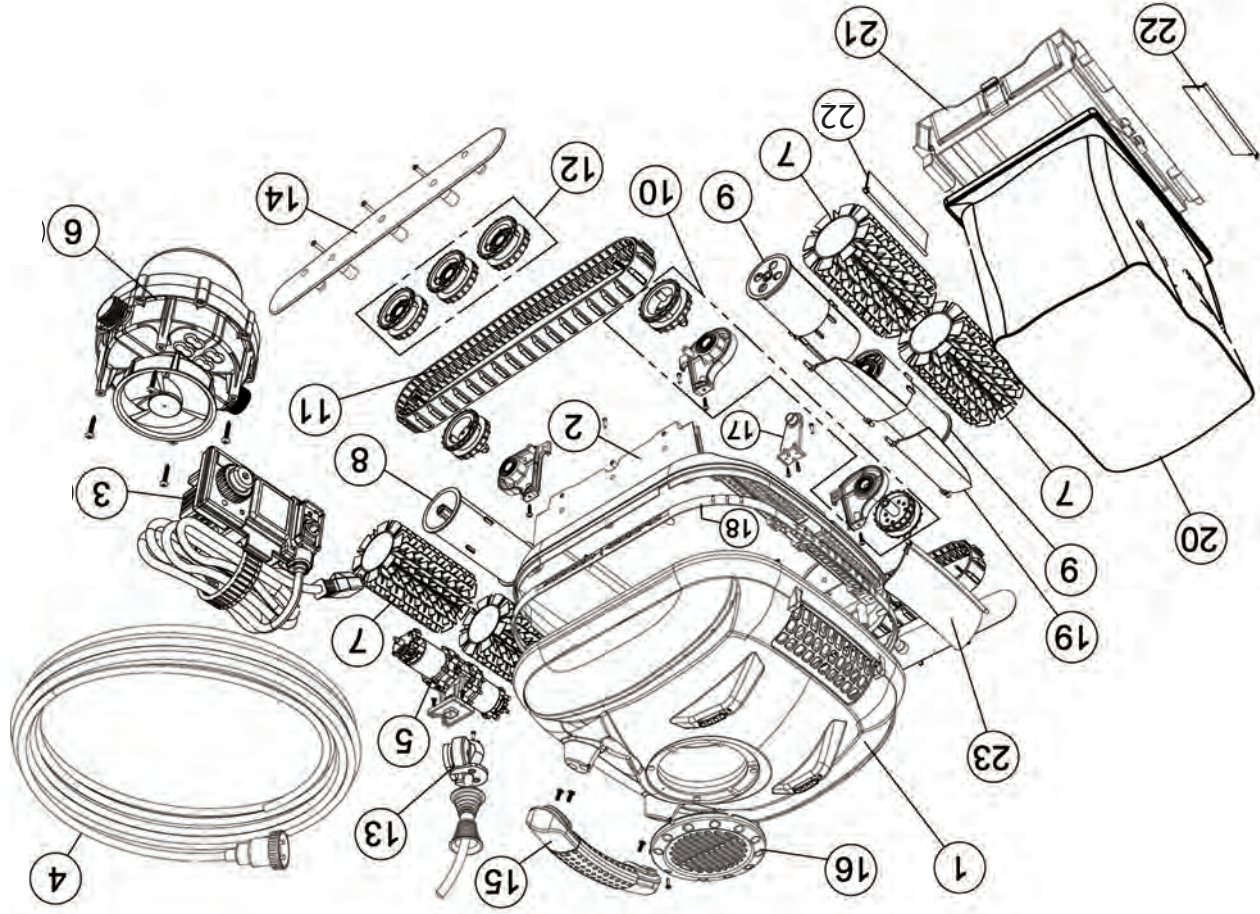
ATTENTION :

Certains liners de vinyle sont davantage sujets à la dégradation superficielle ou à l'usure des motifs dus à des objets comme les brosses, les flotteurs, les jouets, les distributeurs de chlore et les aspirateurs de piscine automatiques lorsque ceux-ci entrent en contact avec les surfaces de vinyle. De tels motifs peuvent être sérieusement égratignés ou abrasés, rien qu'en frottant la surface à la brosse. L'encre des motifs peut également s'estomper en cas de contact avec des objets dans la piscine. SmartPool, Inc. n'est pas responsable de l'usure des motifs, de l'abrasion, des marques ou de tout autre dommage de quelque sorte que ce soit survenant aux liners de vinyle, pas plus que la présente garantie limitée ne couvre les dommages cités.

Si votre robot nettoyeur ne fonctionne toujours pas après avoir effectué toutes les étapes du guide de dépannage, s'il vous plaît, veuillez contacter le service technique de SmartPool au : (1732)730-9880.

PROBLÈME	RAISONS(S)	SUGGESTION(S)
LE MOTEUR POMPE ET LE MOTEUR TRACTION NE FONCTIONNENT PAS	<p>PRISE ÉLECTRIQUE/DISJONCTEURS DE FUITES À LA TERRE</p> <p>RÉINITIALISATION DU ROBOT</p> <p>ÉTENDRE L'ALIMENTATION ÉLECTRIQUE ET LA DÉRANCHER DE LA PRISE ÉLECTRIQUE. ATTENDRE 30 SECONDES ET REMETTRE EN MARCHÉ L'ALIMENTATION ÉLECTRIQUE.</p> <p>RAALLONGE ÉLECTRIQUE</p> <p>ESSAYEZ DE BRANCHER L'ALIMENTATION ÉLECTRIQUE DIRECTEMENT DANS UNE PRISE ÉLECTRIQUE</p>	<p>VÉRIFIER LA PRISE ÉLECTRIQUE/RÉINITIALISER L'INTERURPTEUR OU ESSAYER UNE AUTRE PRISE</p>
NE BOUGE PAS	<p>DÉBRIS PRIS DANS LES CHENILLES/BROSSES/TURBINE</p> <p>ÉTENDRE LE ROBOT ET TIRER DÉLICATEMENT SUR LE CÂBLE POUR LE DÉGAGER DE L'OBSTRUCTION</p> <p>FAIRE MARCHER LE ROBOT SANS LE SAC FILTRANT ET/OU VÉRIFIER LE COUVERCLE INFÉRIEUR/SAC FILTRANT POUR UNE INSTALLATION ADEQUATE</p> <p>CHENILLES DÉBARQUÉES</p>	<p>VÉRIFIER POUR TOUT DÉBRIS ET NETTOYER AVEC UN BOYAU D'ARROSAGE/RETIRER LE COUVERCLE DE LA TURBINE SI NÉCESSAIRE (1 VIS)</p> <p>ÉTENDRE LE ROBOT ET TIRER DÉLICATEMENT SUR LE CÂBLE POUR LE DÉGAGER DE L'OBSTRUCTION</p> <p>FAIRE MARCHER LE ROBOT SANS LE SAC FILTRANT ET/OU VÉRIFIER LE COUVERCLE INFÉRIEUR/SAC FILTRANT POUR UNE INSTALLATION ADEQUATE</p>
AUCUNE ASPIRATION	<p>DÉBRIS DANS LA TURBINE</p> <p>SAC FILTRANT PLEIN</p> <p>BIEEN NETTOYER LE SAC FILTRANT AVEC UN BOYAU D'ARROSAGE</p>	<p>VÉRIFIER POUR TOUT DÉBRIS ET NETTOYER AVEC UN BOYAU D'ARROSAGE/RETIRER LE COUVERCLE DE LA TURBINE SI NÉCESSAIRE (1 VIS)</p>
DÉMARRÉ ET S'ARRÊTE	<p>DÉBRIS PRIS DANS LES CHENILLES/BROSSES/TURBINE</p> <p>SAC FILTRANT PLEIN</p> <p>BIEEN NETTOYER LE SAC FILTRANT AVEC UN BOYAU D'ARROSAGE</p> <p>LE ROBOT EST COINCÉ SUR UN OBSTACLE DANS LA PISCINE</p>	<p>VÉRIFIER POUR TOUT DÉBRIS ET NETTOYER AVEC UN BOYAU D'ARROSAGE/RETIRER LE COUVERCLE DE LA TURBINE SI NÉCESSAIRE (1 VIS)</p> <p>VÉRIFIER LES BROSSES ET LES ANNEAUX (SI APPLICABLE) POUR TOUTE SALETÉ. REMPLACER SI NÉCESSAIRE</p> <p>ÉTENDRE LE ROBOT ET TIRER DÉLICATEMENT SUR LE CÂBLE POUR LE DÉGAGER DE L'OBSTRUCTION</p>
AVANCE ET RECULE/SE CABRE OU TOURNE EN ROND SUR PLACE	<p>DÉBRIS PRIS DANS LES CHENILLES/BROSSES/TURBINE</p> <p>CHENILLES DÉBARQUÉES</p> <p>PRISE SUR UN OBJET DANS LA PISCINE</p>	<p>VÉRIFIER POUR TOUT DÉBRIS ET NETTOYER AVEC UN BOYAU D'ARROSAGE/RETIRER LE COUVERCLE DE LA TURBINE SI NÉCESSAIRE (1 VIS)</p> <p>ÉTENDRE LE ROBOT ET TIRER DÉLICATEMENT SUR LE CÂBLE POUR LE DÉGAGER DE L'OBSTRUCTION</p>
NE MONTE PAS	<p>DÉBRIS PRIS DANS LES CHENILLES/BROSSES/TURBINE</p> <p>SAC FILTRANT PLEIN</p> <p>BROSSES USÉES</p> <p>TRAITEMENTS CHIMIQUES (DEVELOPPEMENT D'ALGUES)</p>	<p>VÉRIFIER LES BROSSES ET LES ANNEAUX (SI APPLICABLE) POUR TOUTE SALETÉ POUVANT AFFECTER LA PERFORMANCE DU ROBOT</p> <p>FAIRE VÉRIFIER LA CHIMIE DE L'EAU PAR UN PROFESSIONNEL ET/OU BROSSER LES PAROIS DE LA PISCINE</p>
EMMÊLEMENT DU CÂBLE	<p>LONGUEUR DE CÂBLE EXCESSIVE DANS LA PISCINE</p> <p>LE CÂBLE N'EST PAS DEROULE AVANT L'UTILISATION</p> <p>CÂBLE INCORRECTEMENT ENROULÉ/STOCKÉ</p>	<p>UTILISER SEULEMENT UNE LONGUEUR DE CÂBLE SUFFISANTE AFIN DE COUVRIR CORRECTEMENT LA SUPERFICIE DE LA PISCINE</p> <p>S'ASSURER QUE LE CÂBLE EST DEROULE AVANT QUE LE CYCLE NE SOIT COMMENCÉ ET MARCHER LA LONGUEUR DE LA PISCINE POUR D'ÉTENDRE LE CÂBLE</p> <p>POUR L'ENROULEMENT DU CÂBLE, FAIRE DE GRANDES BOUCLES EN PARTANT DU ROBOT AFIN DE DEROULER TOUTE TENSION RÉSIDUELLE DANS LE CÂBLE</p>
LE ROBOT FLOTTE	<p>AIR PRIS DANS LE SAC FILTRANT</p> <p>LE ROBOT MONTE TROP HAUT RÉGULIÈREMENT</p>	<p>BALANCEZ LE NETTOYEUR DANS LES DEUX SENS POUR RELÂCHER TOUT AIR EMPRISONNÉ</p> <p>UN POUCE PEUT ÊTRE AJOUTÉ AU NETTOYEUR POUR L'EMPÊCHER DE MONTER TROP HAUT</p> <p>TERRE DE DIATOMÉE PRÉSENTE DANS LE SAC FILTRANT</p> <p>SI IL Y A DE LA TERRE DE DIATOMÉE DANS LA PISCINE, CELA POURRAIT BOUCHER LE SAC. NETTOYER À FOND LE SAC</p>

VUE ÉCLATÉE DES PIÈCES DE LA BROSSEUSE DE PAROIS DE SCRUBBER60 PLUS



Emplacement	N° de pièce	Description
1	NC7415	Couvercle supérieur
2	NC7106	Chassis inférieur
3	NC7122QC	Boîtier d'alimentation NC74
4	NC7123RC	Cordon flottant NC74
5	NC7107	Moteur d'entraînement
6	NC7113	Moteur de pompe NC74
7	NC1004	Brosse d'entraînement (lot de 2)
8	NC7108	Tube de la roue d'entraînement
9	NC7112	Tube de la roue non motrice
10	NC7104	Support de brosse avec roulement et roue d'entraînement (6 et D) (1 lot par côté)
11	NC7116	Chenilles (lot de 2)
12	NC7117	Roues de chenille (lot de 6)
13	NC7105	Réducteur de tension du câble
14	NC7118	Cache de roues de chenille (6 et D) (lot de 2)
15	NC7409	Poignée
16	NC7410	Grille de protection de la turbine
17	NC7103	Support central de brosse
18	NC7119	Joint d'étanchéité supérieur et inférieur (noir)
19	NC7111	Clapets de vidange rapide intérieurs (noir)
20	NC7120	Sac filtrant
21	NC7102	Couvercle inférieur (noir)
22	NC7101	Porte du couvercle inférieur (lot de 2)
23	NC7414	Clapet anti-retour supérieur

SmartPool, Inc. se réserve le droit de modifier les présentes, et ce, sans préavis. SmartPool, Inc. décline toute responsabilité quant aux erreurs typographiques.

- À la main, tournez le câble dans le sens opposé.
- Tirez sur le câble de façon à ce qu'il ne touche pas le sol toute sa longueur.
- Assurez-vous de le poser dans un endroit dégagé où vous pourrez étendre le câble sur toute la surface de la piscine.
- Pour dérouler le câble, il est préférable qu'il soit humide.
- Posez le nettoyeur sur le sol tel qu'illustré ci-dessous.
- Assurez-vous de le poser dans un endroit dégagé où vous pourrez étendre le câble sur toute sa longueur.
- Tirez sur le câble de façon à ce qu'il ne touche pas le sol.
- À la main, tournez le câble dans le sens opposé.

**ENTRETIEN DU CÂBLE
DÉROULEMENT DU CÂBLE**

- Une fois le couvercle inférieur en place, pressez-le fermement. Vérifiez qu'il est bien positionné sur le châssis et refermez les loquets. Le couvercle est désormais en place.

- Saisissez le couvercle inférieur, puis retournez-le de façon à ce que le sac pende sous celui-ci. Remettez le couvercle inférieur en s'assurant de bien insérer le sac filtrant à l'intérieur du nettoyeur. **ASSUREZ-VOUS QUE LE FILTRE EST À L'INTÉRIEUR DU NETTOYEUR SINON LE COUVERCLE NE SE FERMERA PAS ET NE SE VERROUILLERA PAS.**



IMAGE 8

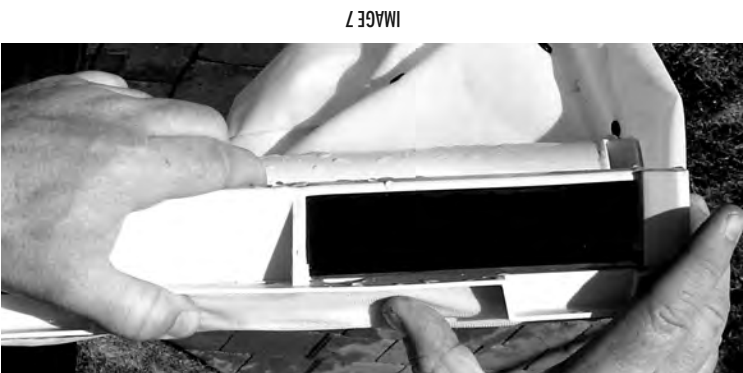


IMAGE 7

- Remettez le sac filtrant en place en prenant soin de le mettre du bon côté. Ensuite, insérez l'armature du sac filtrant dans les rainures prévues à cet effet à l'intérieur du couvercle inférieur. Appuyez sur les coins et les points d'appui pour que le sac soit bien inséré (voir image 7).

STORAGE

HIVER

Si les températures tombent régulièrement en dessous de 5 degrés Celsius (45 degrés Fahrenheit), le nettoyeur et l'alimentation électrique doivent être rangés à l'intérieur.

ÉTÉ

L'appareil doit être rangé dans un endroit qui le protégera de toutes conditions climatiques pour s'assurer qu'il conserve sa finition. **NE PAS ENTREPOSER À PROXIMITÉ DE PRODUITS CHIMIQUES**



IMAGE 10

- Enroulez le câble de façon lâche et qu'illustré ci-dessous.
- Tenez le câble près du nettoyeur.
- Effectuez de grandes boucles tel qu'illustré.
- En faisant les boucles, enroulez le câble tranquillement dans le même sens pour maintenir sa forme.
- **NE SERREZ PAS LE CÂBLE AUTOUR D'OBJETS.**

RANGEMENT DU CÂBLE

- Enroulez le câble de façon lâche tel qu'illustré ci-dessous.



IMAGE 9

Tournez le cordon
avec les mains pour
le tendre

RETIRER LE NETTOYEUR DE LA PISCINE

- Tirez lentement sur le câble flottant pour approcher le nettoyeur de la surface et du rebord de la piscine.
- **NE SORTEZ PAS LE NETTOYEUR DE LA PISCINE EN LE TIRANT PAR LE CÂBLE.**
- Penchez-vous et saisissez la poignée du nettoyeur pour le sortir de la piscine tel qu'illustré ci-dessous.



Image 1 SAISIR LA POIGNÉE



Image 2 LE SORTIR DE LA PISCINE PAR LA POIGNÉE

NETTOYAGE DU SAC FILTRANT

Le sac filtrant doit être nettoyé après chaque utilisation.

- Retournez le nettoyeur et posez-le sur le sol, le couvercle inférieur vers le haut.
- Pressez les 2 loquets rouges vers le centre du robot tel qu'illustré à l'image 3.
- Soulevez le couvercle inférieur avec le sac afin de le sortir du robot.

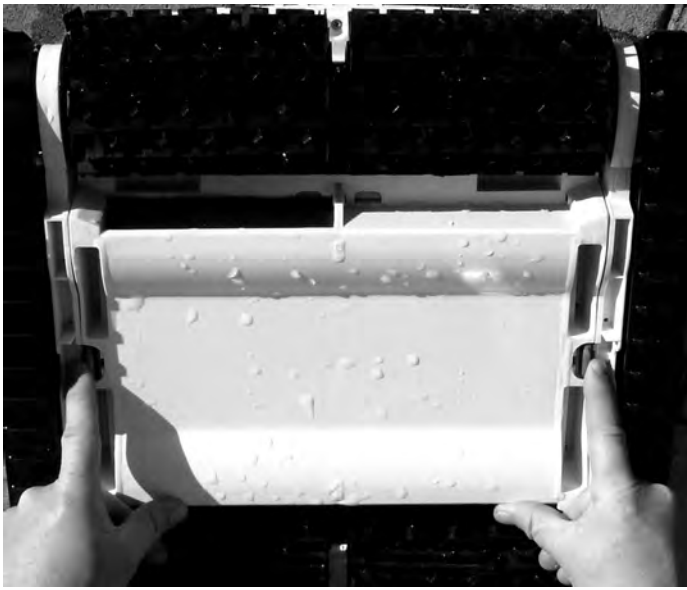


Image 3

NETTOYAGE DU SAC FILTRANT

- À l'aide d'un boyau d'arrosage, nettoyez tous les débris du couvercle inférieur tel qu'illustré à l'image 6.



IMAGE 6

- Prenez fermement le couvercle inférieur avec une main et de l'autre, le sac filtrant et décrochez-le du support.



Image 4

- Retournez le sac filtrant et nettoyez les débris à l'aide d'un jet d'eau tel qu'illustré à l'image 5. Si le sac est très sale, vous pouvez le laver seul à la machine, à l'envers, à l'eau froide et avec un détergent doux. Ne PAS mettre dans la sècheuse.

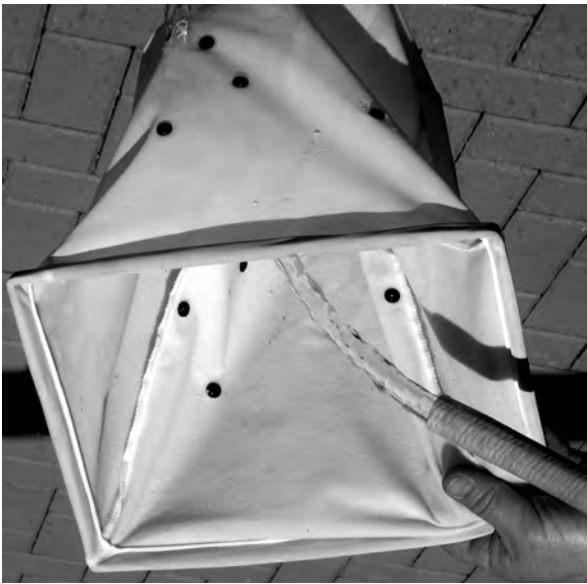


IMAGE 5

Félicitations pour l'achat de l'aspirateur de piscine automatique le plus perfectionné du marché sur le plan technique. Le Scrubber60 Plus est facile à utiliser et vous permet de nettoyer votre piscine à moindre coût et sans efforts. En suivant ce mode d'emploi simple, le Scrubber60 Plus nettoiera votre piscine rapidement et efficacement dès aujourd'hui et pour de nombreuses années à venir.

INSTALLATION

- Placer l'alimentation électrique dans un endroit qui permettra au robot de couvrir toute la surface de la piscine.
- S'assurer de seulement brancher l'alimentation électrique dans une prise protégée par un disjoncteur de fuite à la terre (DDFT).
- Regarder l'alimentation électrique et vérifier que l'interrupteur est en position ARRÊT (position centrale).
- Brancher l'alimentation électrique dans la prise protégée par un disjoncteur de fuite à la terre (DDFT).
- Brancher le connecteur du robot dans la prise de l'alimentation électrique. Le connecteur est doté d'un détrompeur afin de le brancher à la prise dans un ens. S'assurer que le connecteur est bien enfoncé tout au fond de la prise. Fixer le loquet du connecteur par dessus le connecteur en le vissant dans le sens des aiguilles d'une montre jusqu'à ce qu'il se bloque.

NE PAS FAIRE FONCTIONNER LE ROBOT HORS DE L'EAU. FAIRE FONCTIONNER LE NETTOYEUR HORS DE L'EAU ENDOMMAGERA LES MOTEURS ET ANNULERA LA GARANTIE.

- Mettre le robot dans la piscine et si nécessaire, balancer-le d'un côté à l'autre pour faire sortir tout l'air pris à l'intérieur. Le robot descendra jusqu'au fond de la piscine.

- Laissez une longueur de câble suffisante dans l'eau afin de permettre au robot d'atteindre toutes les zones de la piscine. (NE PAS METTRE TOUT LE CÂBLE DANS LA PISCINE)

NETTOYAGE RAPIDE 1 HEURE:

- Appuyez sur l'interrupteur NETTOYAGE RAPIDE 1 HEURE comme indiqué sur l'image 1. Une lumière LED jaune s'allumera et le robot commencera automatiquement son programme de nettoyage.

- REMARQUE: Lorsque le robot ne montera pas aux parois mais se concentrera plutôt sur le nettoyage de fond, où se trouve la majorité de la saleté. Le robot fonctionne dans un mode de nettoyage lent mais constant, et s'éteindra automatiquement après 60 minutes. Pour mettre fin au cycle de nettoyage manuellement, appuyez sur l'interrupteur du centre (bouton d'arrêt) — Image 1.

NETTOYAGE COMPLET DE 3 HEURES INCLUANT LES PAROIS:

- Appuyez sur l'interrupteur en mode de nettoyage complet sur l'alimentation électrique comme illustré sur l'image 1. Une lumière LED rouge s'allumera et le robot commencera automatiquement son programme de nettoyage.

- Si un second nettoyage est nécessaire ou si le robot s'est éteint accidentellement, assurez-vous que l'appareil est manuellement remis en mode Arrêt, et attendez 30 secondes avant de le remettre en marche.

REMARQUE IMPORTANTE :

En mode de fonctionnement normal, le robot peut sembler s'arrêter quelques secondes. Il s'agit d'une artilude normale faisant partie du programme de nettoyage du robot. L'appareil a différentes manières de nettoyer les murs (parois). Il peut monter jusqu'à la surface, brosser la ligne d'eau, et redescendre vers le sol. Il peut également monter jusqu'à la surface, s'arrêter de fonctionner quelques secondes, s'éloigner du mur, se remettre en marche, sa pompe d'aspiration le propulsant vers le fond. Il peut enfin monter jusqu'à la surface, brosser la ligne d'eau, s'arrêter un moment et s'éloigner de la paroi en flottant avant de redescendre vers le fond. Toutes ces variations ont été programmées afin de nettoyer votre piscine rapidement et efficacement. Cet appareil a été conçu pour nettoyer toutes les zones de votre piscine. Il montera aux parois, et atteindra la surface de temps en temps. Il est possible qu'une fois la surface atteinte, il semble continuer à progresser dans la même direction, ou flotter pendant quelques secondes à quelques minutes. Il s'agit d'un fonctionnement normal, le nettoyeur reprendra ensuite son chemin vers le bas de la paroi pour poursuivre le nettoyage de la piscine. La majorité des impuretés se trouvant sur le sol, le nettoyeur se concentre sur le nettoyage du sol (fond).



Image 1

CONSIGNES DE SÉCURITÉ IMPORTANTES LISEZ ET SUIVEZ TOUTES LES INSTRUCTIONS



Danger :

Risque de choc électrique ou d'électrocution : le bloc d'alimentation électrique de ce produit doit être installé conformément au Code national de l'électricité et à tous les codes et règlements locaux applicables. Une mauvaise installation accroît les risques de chocs électriques pouvant causer la mort ou des blessures graves aux utilisateurs de la piscine ou à d'autres personnes ainsi que des dégâts matériels.



MISE EN GARDE : N'UTILISEZ PAS DE RALLONGES ÉLECTRIQUES, CAR ELLES PEUVENT CAUSER LA MORT OU DES BLESSURES.



MISE EN GARDE : Pour réduire les risques de blessures, n'autorisez aucun enfant à utiliser ce produit sans une surveillance étroite et permanente.



MISE EN GARDE : Si la température ambiante de l'air dépasse 46 °C (115 °F), ne laissez pas le bloc d'alimentation électrique exposé aux rayons directs du soleil. Ne couvrez pas le bloc d'alimentation électrique.



MISE EN GARDE : Ce produit doit uniquement être utilisé en tant que nettoyeur de piscine robotisé, tel que décrit dans ce manuel; toute modification ou tout autre usage annule sa garantie.



MISE EN GARDE : N'autorisez aucun enfant à utiliser ou à toucher le bloc d'alimentation électrique de l'appareil ni à jouer à proximité.



MISE EN GARDE : Un disjoncteur de fuite de terre (GFCI aux États-Unis et ELL en Europe) doit être installé pour protéger votre prise de courant et éviter tout risque de choc électrique. Tout manquement à cette règle crée un risque de choc électrique pouvant tuer ou blesser gravement les utilisateurs de la piscine ou d'autres personnes ainsi que causer des dégâts matériels.



MISE EN GARDE : Ne branchez pas l'appareil sur le courant alternatif tant que l'installation n'est pas terminée.



MISE EN GARDE : N'utilisez pas le produit si il est endommagé d'une quelconque manière.



MISE EN GARDE : L'appareil doit être entièrement immergé dans l'eau pour que la garantie s'applique.



MISE EN GARDE : Assurez-vous que le nettoyeur de piscine robotisé n'est pas branché à son bloc d'alimentation électrique avant de l'ouvrir ou d'effectuer toute opération d'entretien.



MISE EN GARDE : Pour éviter d'endommager le bloc d'alimentation ou le cordon électrique, ne déplacez jamais le bloc d'alimentation en le tenant par son cordon et ne tirez pas sur le cordon pour le débrancher de la prise de courant. Tirez plutôt directement sur la fiche elle-même pour la débrancher. Ne tirez pas sur le cordon lorsqu'il contourne des coins ou des rebords coupants.



MISE EN GARDE : Ne jouez pas avec le nettoyeur ni son câble et ne l'appliquez pas sur une quelconque partie du corps. Il peut aspirer et arracher les cheveux ou la peau. Les utilisateurs et nageurs peuvent trébucher sur le câble ou s'empêtrer dans le câble, ce qui peut provoquer des noyades.



MISE EN GARDE : Ne faites pas fonctionner l'appareil si le cordon ou le bloc d'alimentation est endommagé.



MISE EN GARDE : Avant d'installer le nettoyeur, veillez à bien comprendre sa garantie. Ce nettoyeur n'est pas conçu pour nettoyer automatiquement des marches ni fonctionner sous une couverture solaire. Il n'a pas non plus été conçu pour le premier nettoyage d'une piscine nouvellement installée.



MISE EN GARDE : Le nettoyeur ne doit pas être utilisé lorsque la piscine est en cours d'utilisation par des nageurs.



MISE EN GARDE : Le bloc d'alimentation électrique doit à tout moment se trouver à au moins 4 mètres (12 pi) du bord de la piscine!



MISE EN GARDE : Il est recommandé, après chaque utilisation, de nettoyer le sac à filtre et de vérifier la turbine pour s'assurer qu'aucun débris ne peut empêcher le fonctionnement de l'appareil.



MISE EN GARDE : Débranchez le bloc d'alimentation de la prise de courant lorsque l'appareil n'est pas utilisé.



MISE EN GARDE : N'allumez PAS le nettoyeur de piscine (« ON ») si l'unité n'est pas immergée dans l'eau. Faire fonctionner le nettoyeur hors de l'eau peut l'endommager gravement et annuler sa garantie. N'oubliez jamais de mettre le bloc d'alimentation électrique hors tension (« OFF ») et de le débrancher de la prise électrique avant de retirer le nettoyeur de la piscine.



MISE EN GARDE : Si votre nettoyeur de piscine robotisé ne fonctionne pas comme il le devrait ou si il est tombé ou est endommagé de quelque manière que ce soit, adressez-vous au service à la clientèle de SmartPool, Inc. au 1-732-730-9880 ou consultez notre site Internet www.smartpool.com avant de l'utiliser.

CES INSTRUCTIONS DOIVENT ÊTRE CONSERVÉES

MODE D'EMPLOI DU NETTOYEUR AUTOMATIQUE POUR SMARTPOOL SCUBBER® 60 PLUS NC74

