



SUNHEATER

SWIMMING POOL SOLAR HEATING SYSTEMS

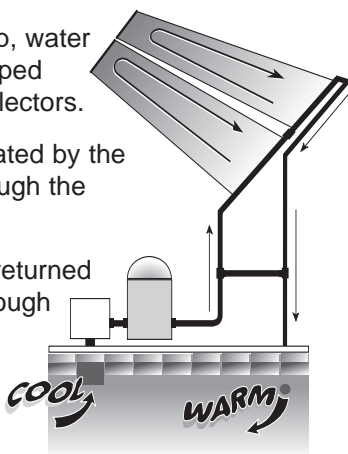
for Aboveground Pools

Product Number S421/S411

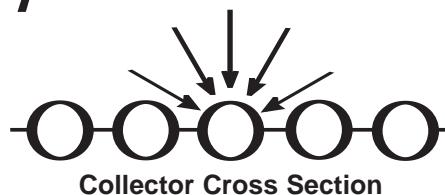
INSTALLATION & OPERATION MANUAL

How Solar Pool Heating Works

- Using your pool pump, water is automatically pumped through the solar collectors.
- The water is then heated by the sun as it moves through the collectors.
- The heated water is returned back to the pool, through your return lines.
- You enjoy your own heated pool with no fuel costs.



Why Solar Heat Works Best



- Water is heated as it moves through the many tubes in the solar collectors.
- Tube and web design traps heat and catches light as the sun moves across the sky.
- Tough polypropylene material won't rust, corrode or scale. Plus, the collector is reversible.

PLEASE READ THIS MANUAL CAREFULLY. YOUR ENJOYMENT OF YOUR SOLAR HEATED POOL AND YOUR WARRANTY ARE AFFECTED BY HOW YOUR SOLAR HEATING SYSTEM IS INSTALLED

CAUTION: a) Solar collectors are often installed on the roofs of buildings. Unless you are very familiar with working on roofs and have the proper ladders and safety equipment for such work, you should hire someone with the necessary experience to do the installation. Failure to observe safe practices on a roof or other elevated structure may result in falling, leading to serious injury to you.

b) When installing collectors on the ground, do not build a rack support that could allow children access into the pool.

IMPORTANT READ THIS ENTIRE MANUAL BEFORE STARTING ORIENTATION

How Well Does Solar Heating Work?

A properly sized and installed system will raise pool temperatures up to 10°F during the season. You will only want to circulate water through the solar collector when the sun is shining. When it's cloudy or rainy, solar won't work as well (and you probably won't be swimming during those times), but your water will be back up to temperature after one or two warm days.

Do I Need A Special Pump?

If your pool pump is in good working condition, there shouldn't be any problem using your existing pump. A one HP pump will handle installations up to 30 feet away from the pool equipment and one story up. If the collectors are cool to touch when the water is running through them on a warm sunny day, you are getting enough flow.

Where Can I Put The Solar Collectors?

Anywhere you get at least 6 hours of full sun during the day. The longer the collectors are in full sun, the better they will work. If you are mounting the solar on an angle (like a roof or rack), the collectors should face in a southerly direction. For roof or rack mounting, you'll need 1 SK-43 for each solar box. For high wind areas, we recommend one SK-34 High Wind Kit for each collector. Call SmartPool at 1-888-560-7665 for ordering info.

What Tools Will I Need?

- Flat head screwdriver or 5/16" nut driver

For roof or rack mounting you will also need:

- Power drill
- 1/8" drill bit and a Phillips head bit
- Silicone sealant (GEII or equivalent)

What additional parts will I need to install the solar system on a roof?

- 1 SmartPool Mounting Kit SK-43 for each solar box. High wind SK-34 for each collector in high wind areas.
- You will need the correct amount of 1 1/2" Schedule 40 PVC pipe for the plumbing, going to and from your pool equipment.
- You will also need PVC primer, glue, and fittings (available where you buy PVC pipe).

What additional parts will I need to install the solar system on the ground or on a rack?

- For a ground mount installation you will require 2 hoses - one that will reach from the pool equipment to the collector and one that reaches from the collector back to the pool.
- For a rack mount installation you'll need SmartPool's mounting kit SK-43. For high wind areas you will need one SK-34 for each collector.

USE OF NON-FACTORY MOUNTING HARDWARE WILL VOID YOUR WARRANTY!

**WARNING! POSITION THE RACK SO THAT IT DOES NOT
PROVIDE ACCESS TO THE POOL FOR CHILDREN.**

How much will the solar system weigh when filled with water?

Each S421 solar box (2 Collectors) will weigh approximately 80 lbs., and each S411 solar box (2 collectors) will weigh 40 lbs. when filled with water. There is very little additional load on your roof since the weight is dispersed over a large area.

Order Guide for S421

Pool Sizes		Number of Solar Boxes	Area Needed
Round	Oval		
12' - 24'	12' x 24' - 16' x 25'	1	5' x 21'
27' - 28'	16' x 32' - 18' x 34'	2	10' x 21'

Order Guide for S411

Pool Sizes		Number of Solar Boxes	Area Needed
Round	Oval		
12' - 18'	12' x 24'	1	11' x 3'
21' - 24'	15' x 30' - 16' x 25'	2	11' x 5'
27' - 28'	16' x 32' - 18' x 34'	3	11' x 7'

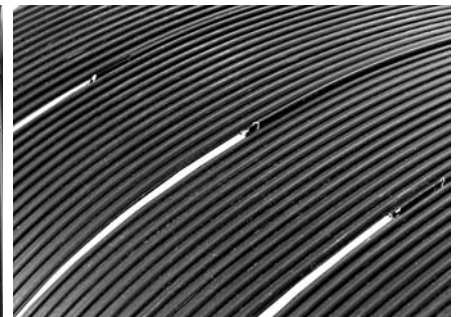
Use a solar blanket to hold in heat at night or during cool weather.

Product # S421/S411 Kit Components

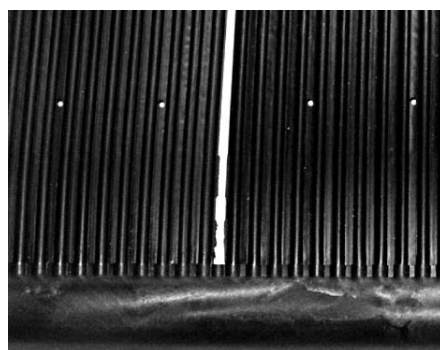
Kit	Qty	Item #	Description
	2		Polypropylene Solar Collectors
SK-42			System Kit for S421/S411
	2	69003	Elbow Connectors
	4	69002	PVC End Caps 1 1/2" FPT
	4	SC150CLMP	1 1/2" Stainless Steel Hose Clamps 35-64
	1	60554	Teflon Tape 1/2"
	1	SC375HOSE	6" Long Rubber Hose
	1		Installation Manual w/Warranty Statement



SunHeater collectors are manufactured with special molds and materials designed to provide you with the most durable, high performance solar pool heating system available. Note: during manufacturing certain mechanical incisions are required to complete the assembly of the collector (see photos on right). These are normal and do not adversely affect the performance or durability of your SunHeater.



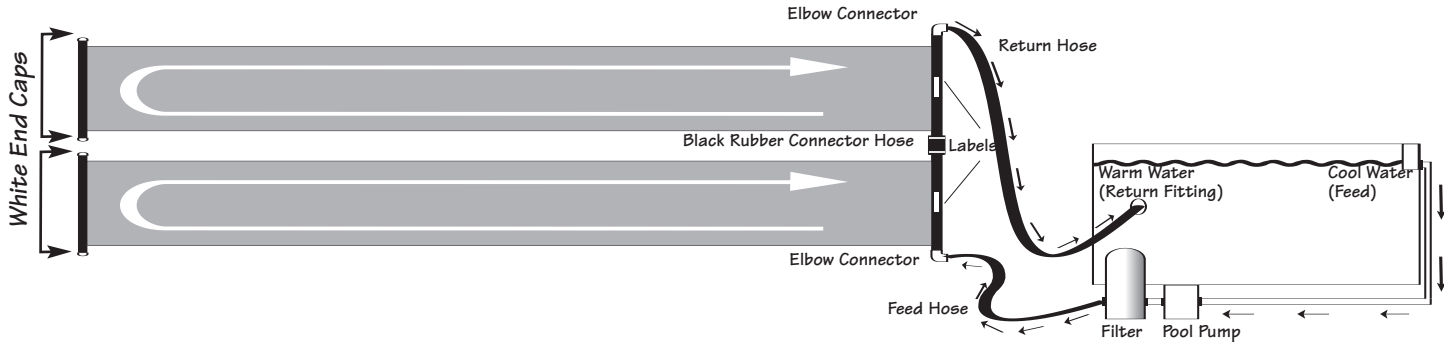
Please Note: Small holes in collector (see photo at right) are NOT to be used for mounting. Use only SmartPool-approved mounting kit SK43 and follow the directions provided. Failure to comply will void your warranty.



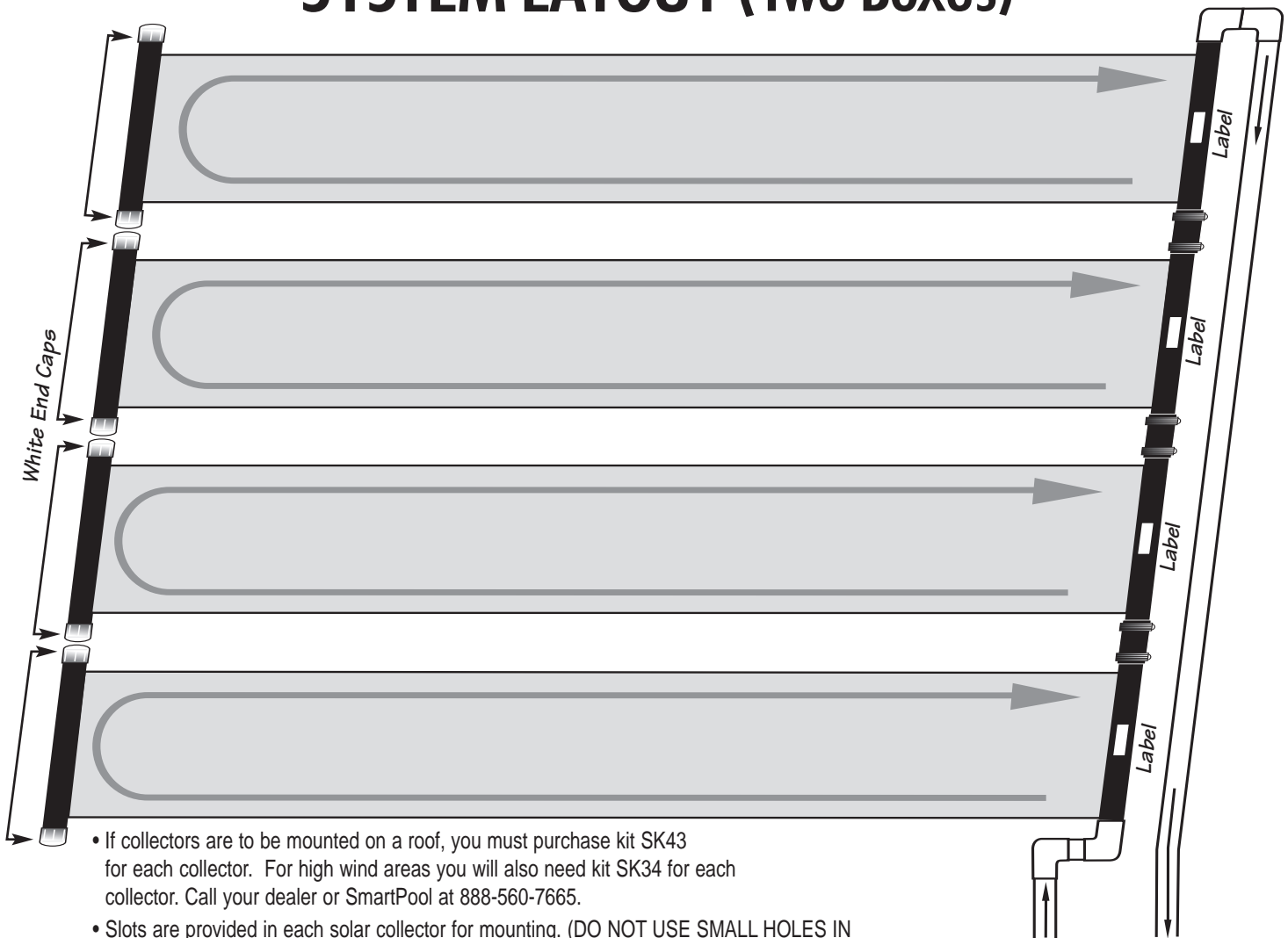
SYSTEM LAYOUT (Single Box)

Required:

- Flathead screwdriver or 5/16" nut driver.
- To install your solar heating system you will require 2 hoses - one that will reach from the pool equipment to the collector and one that reaches from the collector back to the pool.



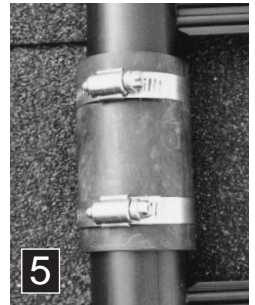
SYSTEM LAYOUT (Two Boxes)



- If collectors are to be mounted on a roof, you must purchase kit SK43 for each collector. For high wind areas you will also need kit SK34 for each collector. Call your dealer or SmartPool at 888-560-7665.
- Slots are provided in each solar collector for mounting. (DO NOT USE SMALL HOLES IN COLLECTORS FOR MOUNTING - SEE PAGE 3. DOING SO WILL VOID YOUR WARRANTY).
- Maximum of four collectors may be plumbed in series.
- Pitch the collectors slightly toward the end caps for winterizing and draining (1"-2").
- Do not add additional mounting hardware other than SmartPool factory approved kits.

INSTALLATION

1. Provide an area that is free of any sharp objects with at least 6 hours of full sunlight a day.
2. Remove strap from collectors and unroll them next to each other placing the headers with the serial number labels closest to your pool equipment.
3. Allow the collectors to relax in the sun (30 minutes to an hour). **DO NOT LAY COLLECTORS ON THE GRASS IT CAN DAMAGE THE LAWN UNDERNEATH! DO NOT WALK ON COLLECTORS.**
4. Remove and discard the black protective end caps covering the threaded ends of the header pipes.
5. Join the headers with the labels together using one black rubber connector hose and two 1 1/2" hose clamps. Position hose clamps 1/2" in from each end of rubber connector hose and tighten (as shown). Do Not Overtighten. Do not push connector hose against tubes of collector.
6. Wrap the 6 remaining threaded ends of the headers with Teflon tape provided (as shown) for a watertight seal.
7. On the headers without the label, thread white end caps on the open ends (as shown). Be careful not to cross-thread.
8. Thread elbow connectors on the open ends of the headers with the labels (as shown). Be careful not to cross-thread.
9. Turn off pool pump.
10. Go to pool and plug the round return fitting on the pool wall from the inside so the water won't drain through (a winter plug works well).
11. Connect a hose from the filter to the lower elbow connector. Always fill the system from the bottom.
12. Connect another hose from pool return fitting to other elbow connector.
13. From the inside of the pool wall, remove the plug you placed in the round return fitting.



YOU ARE NOW READY TO START-UP YOUR SOLAR POOL HEATER

14. Turn on the pump. Check for leaks and tighten the connections that need attention.

Note: Upon start-up you will see air bubbles come through the return hose.

This is normal and will stop after all the air has been purged from the solar heating system.

OPERATION & MAINTENANCE

Operation

1. The collectors should feel cool to the touch when the sun is shining on them and water is passing through. This means that the heat is being transferred to the water.
2. The water returning to your pool will be a few degrees (3-5degrees) warmer than the pool itself. This is the most efficient way to heat a large body of water like a pool. Keep circulating the water, which adds a few degrees each pass.
3. Circulate water though the solar collectors at least 6 hours per day during the daylight hours on sunny days. If you circulate your water through them at night, or when it's overcast or on chilly days, you will cool your pool water rather than heat it. If you need to run your pump at night, open the diverter valve so that water goes directly back to the pool, bypassing the solar system.

Winterization

YOUR SOLAR SYSTEM MUST BE DRAINED FOR WINTERIZATION! FREEZE DAMAGE IS NOT COVERED UNDER WARRANTY! YOU MUST DRAIN YOUR SOLAR COLLECTORS JUST LIKE YOU DRAIN THE REST OF YOUR POOL EQUIPMENT!

Remove the white end cap at the top of the solar system. Remove the white end cap at the bottom and be sure ALL the water is drained out of the system. Replace end caps and blow pressurized air through the system. After blowing them out, remove and store the bottom end cap for use again in the spring when you start up again. You can leave the collectors in place (as long as they are completely drained) and they will withstand even the harshest winters. Of course, you can store your collectors inside in a warm dry place if you like.

Collector Repair

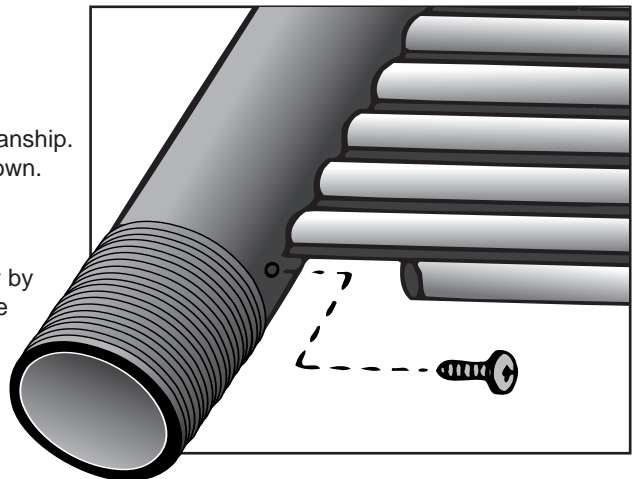
IF A COLLECTOR DEVELOPS A LEAK

Your solar collectors are warranted against defects in materials and workmanship. If a leak develops for any other reason, you may use the repair method shown. Collectors are not warranted against freeze damage.

SOLAR COLLECTOR REPAIR

This method allows for an easy and permanent, on-site repair of a collector by isolating the leading riser tube. Referring to the figure at the right, locate the tube to be isolated. (End tube has been shown for clarity). Using a sharp utility knife, very carefully cut away approximately 1" of the tube at both headers. Drive a #10 sheet metal screw, preferably stainless, into the hole in the header. The screw must be between 1/2" and 3/4" long.

DO NOT OVERTIGHTEN! If the screw strips out, or if the repair leaks, use a #12 screw. This repair method will not void the collector warranty.



With proper care and winterization, you will enjoy your solar collectors for many years.

SMARTPOOL SOLAR COLLECTOR
Five Year Limited Warranty



FIVE YEAR WARRANTY

Five year limited warranty from date of purchase with one year full.
After the first year, the claimant shall pay the list price at the date of the claim less one-sixtieth (1/60) of that price for each full month remaining in the warranty period.

**ALL WARRANTY CLAIMS MUST BE HANDLED DIRECTLY
WITH SMARTPOOL. DO NOT RETURN TO YOUR DEALER. SMARTPOOL
ACCEPTS CLAIMS FROM POOL OWNERS ONLY.**

SmartPool Inc. warrants to the original purchaser of the Solar Collector that the company that it will, at its option, repair or replace any solar collector that proves to be defective in either workmanship or material upon prepaid return of the collector by the owner to SmartPool, Inc., subject to the provisions of the limited warranty stated above, and the exclusions and limitations set forth below. SmartPool, Inc. will, pursuant to the terms of this warranty, at its sole option, either repair the collector at a nominal charge to the owner, or replace the collector per the pro-rated provisions stated herein. All repaired or replaced collectors will be returned at the homeowner's expense. The pro-rated basis for collector replacement is set forth above.

What is covered: The solar collector is warranted to be free of defects in material and workmanship when leaving the factory.

What is not covered: Hardware; including hoses, clamps and plastic fittings; Any damage due to freezing caused by or related to improper drainage, winterization, or storage; Damage, defects, malfunctions, or other failures arising from use of the product which does not comply with the instructions provided by the manufacturer; Damage, defects, malfunctions, or other failure caused by or related to repairs performed by any servicer other than an authorized service representative of SmartPool, Inc. Claims will not be accepted for a collector's damage in transit unless damage to shipping container is noted at time of delivery on the transport company's delivery bill.

SMARTPOOL, INC. SHALL IN NO WAY BE LIABLE OR RESPONSIBLE UNDER ANY CIRCUMSTANCES OR IN ANY AMOUNT FOR ANY CONSEQUENTIAL OR INCIDENTAL DAMAGES OR FOR ANY INJURY OR DAMAGES TO PERSON OR PROPERTY USING OR USED IN CONNECTION WITH THIS PRODUCT, OR FOR LOSS OF PROFITS OR OTHER COSTS OR EXPENSES OF ANY KIND OR CHARACTER. THERE ARE NO OTHER WARRANTIES OR REPRESENTATIONS, EITHER EXPRESS OR IMPLIED, WHETHER OF MERCHANTABILITY, FITNESS FOR A PARTICULAR PURPOSE, OR OTHER, MADE BY SMARTPOOL, INC., OTHER THAN THOSE SPECIFICALLY SET FORTH IN THIS WARRANTY. NO PERSON, FIRM, OR CORPORATION IS AUTHORIZED TO MAKE ANY REPRESENTATIONS, OR INCUR ANY OBLIGATIONS IN THE NAME OF OR ON BEHALF OF SMARTPOOL, INC., EXCEPT AS STATED HEREIN. THIS WARRANTY IS EXPRESSLY UNDERSTOOD TO BE THE EXCLUSIVE REMEDY AVAILABLE TO THE PURCHASER, AND THIS WARRANTY CONTAINS THE FULL AND COMPLETE AGREEMENT BETWEEN SMARTPOOL AND THE PURCHASER. THIS WARRANTY SETS FORTH THE ONLY OBLIGATIONS OF SMARTPOOL WITH REGARD TO THIS PRODUCT, AND THERE ARE NO WARRANTIES WHICH EXTEND BEYOND THE DESCRIPTION ON THE FACE HEREOF.

To File a Claim:

- 1) Call 1-732-730-9880 to initiate a claim.
- 2) You will receive an instruction package within 10 days.
- 3) Please allow 2-4 weeks for warranty claims to be settled.
- 4) If you do not receive your collector within 6 weeks, please call SmartPool Warranty Department between 1pm-4pm Monday through Friday EST at 1-732-730-9880.

The representations set forth herein are the only representations made by SmartPool, Inc. with respect to the product, and this warranty does not constitute either a performance or satisfaction guarantee. It is the responsibility of the product owner to regularly test and check the product for proper function and safety.

This warranty gives the original purchaser specific legal rights. You may have other rights depending on where you live.