

**retro**<sup>®</sup>

REPLACEMENT LED POOL LIGHT

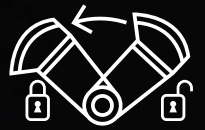


QUICK-CONNECT  
PLUG

**12V AC**

— LOW ⚡ —

EXTRA  
LOW VOLTAGE



Ⓐ CAM-LOCK SYSTEM

**UNIVERSAL 6" REPLACEMENT  
POOL & SPA LIGHT**

COMPATIBLE WITH 6" NICHES

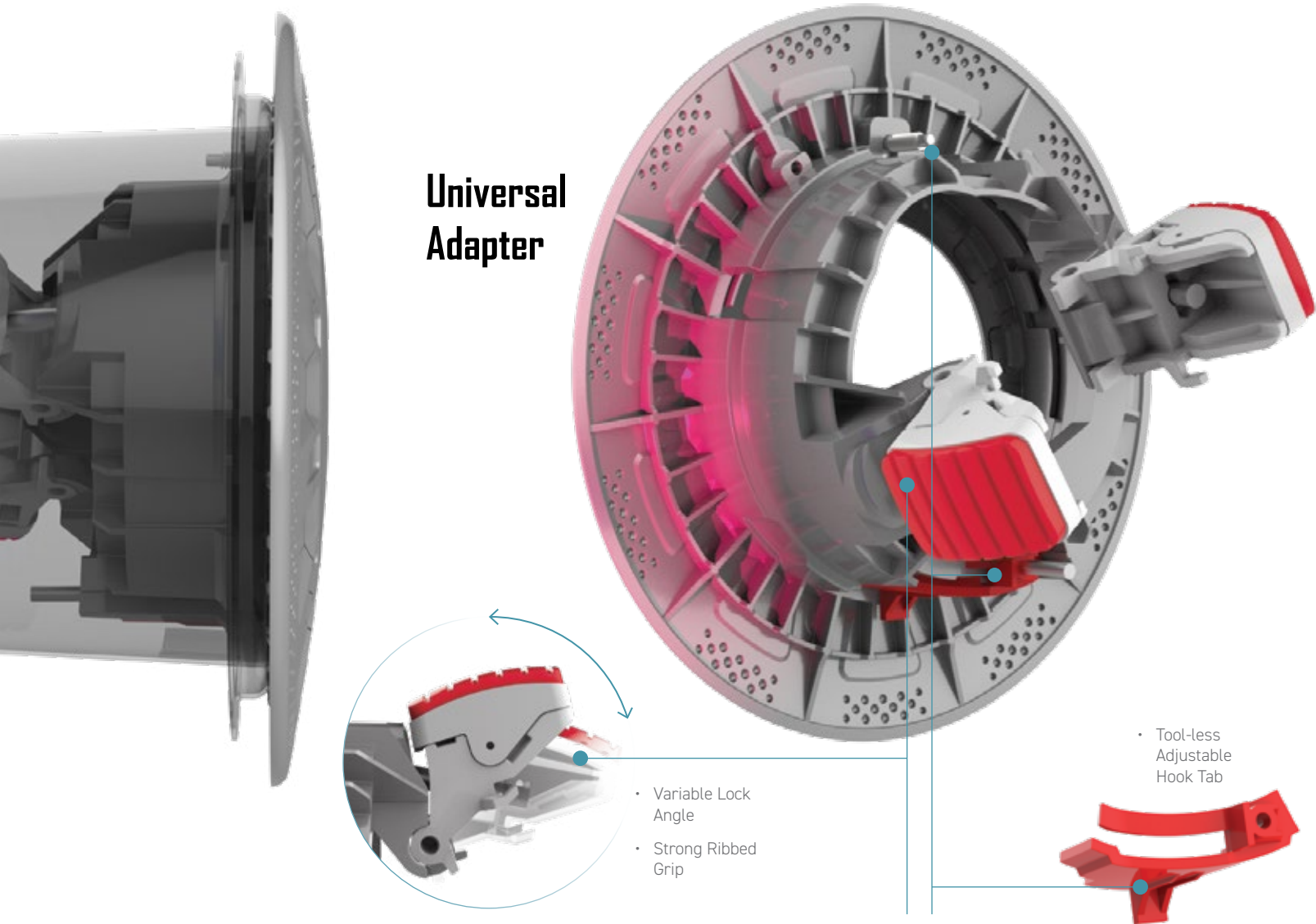
**R6**

/ PATENT-PENDING /

**SE Spa Electrics**<sup>®</sup>

# Designed by Builders for Builders

The only **Retro-Fit** light for 6" Niches you will ever need



## Interchangeable **CAM-LOCK** System

Simple and adaptable, the **R6** bracket has been designed to include **interchangeable CAM-LOCKS** to suit any 6" niche (ID 4.75 - 5.2 & 5.8 -6.6 (Q500 cam-locks required- R6C 006 Q5)).

There's no need for expensive repair work, as **Retro R6's Universal Adaptor** doesn't rely on intact niche mounting hooks or screws for installation.

It's **patent-pending CAM-LOCKS** grip the niche wall as they're fitted, pulling the light and niche together for a secure fit.

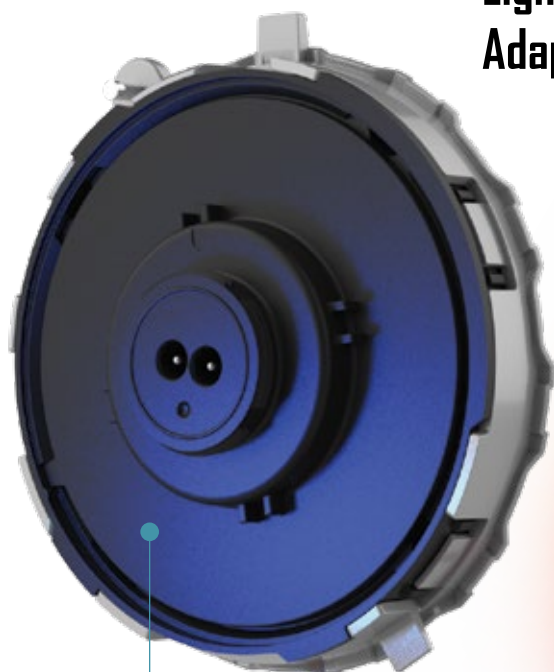
## Standard Installation

If the existing niche mounting hooks and screws are intact, **Retro R6** supports standard installation via the **HOOK TAB** at the base and the front facing screw at the top.

The **HOOK TAB** at the base adjusts to suit all major brand niche tabs, without the need for extra washers or spacers.

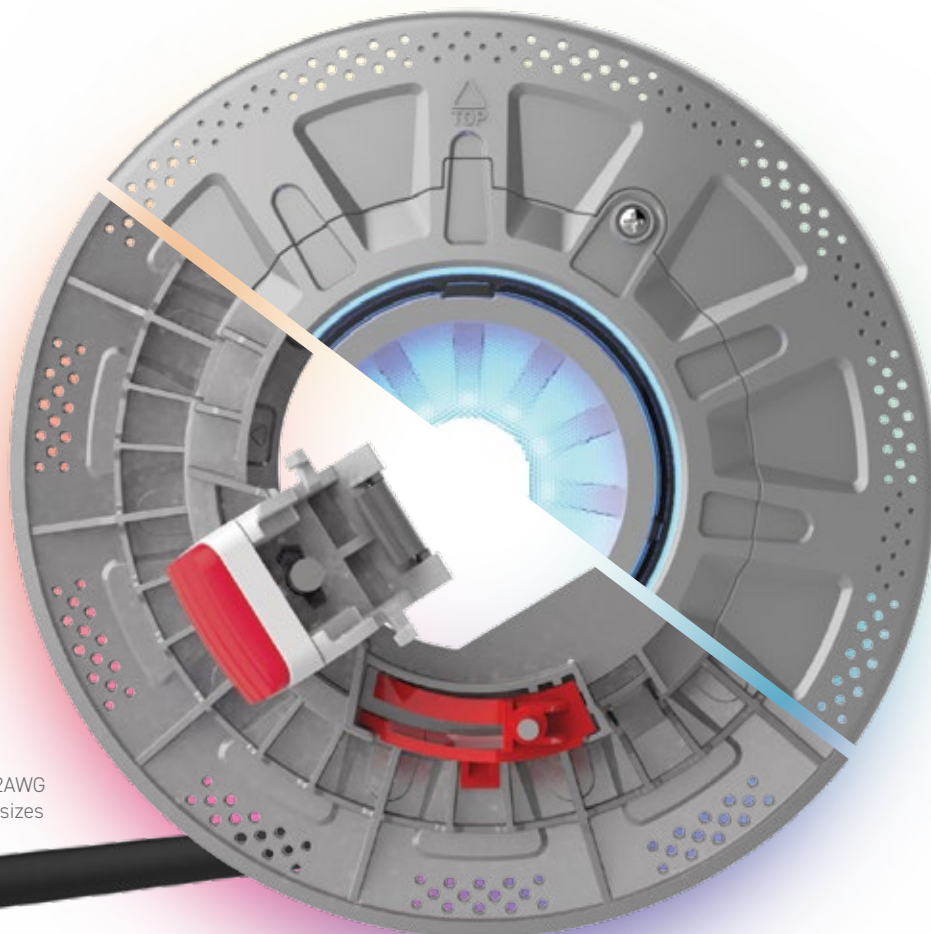
# R6

## Light Adapter



- Extra Safe Low Voltage 12VAC

- Suits 18-12AWG cord sizes



## Quick Connect Plug

Say goodbye to changing cables forever with **Retro R6's Quick Connect Plug**.

Connecting to the existing pool light cable in the niche, the **UL Listed Quick Connect Plug** ensures fast and reliable installation while also enabling easier future servicing in the field.

The **Retro R6** light provides superior illumination to deliver a lighting solution for your pool or spa. The forward-facing Heat Sink along with the slim design and modern profile, maximises the longevity and performance of the light.

**retro**  
REPLACEMENT LED POOL LIGHT



## Compatibility

### ALL MAJOR POOL CONTROLLER BRANDS:

Pentair® Hayward® Jandy®

### SUITS ALL MAJOR NICHE BRANDS:

4.75 - 5.2 inches    5.8 - 6.6 inches



Standard  
CAM-LOCK

*Comes included.*

Q500 Cartridge  
CAM-LOCK

*(Sold Separately)  
Optional accessory for retro-fitting the  
Jacuzzi Q500 niche.*

## Secure Fit

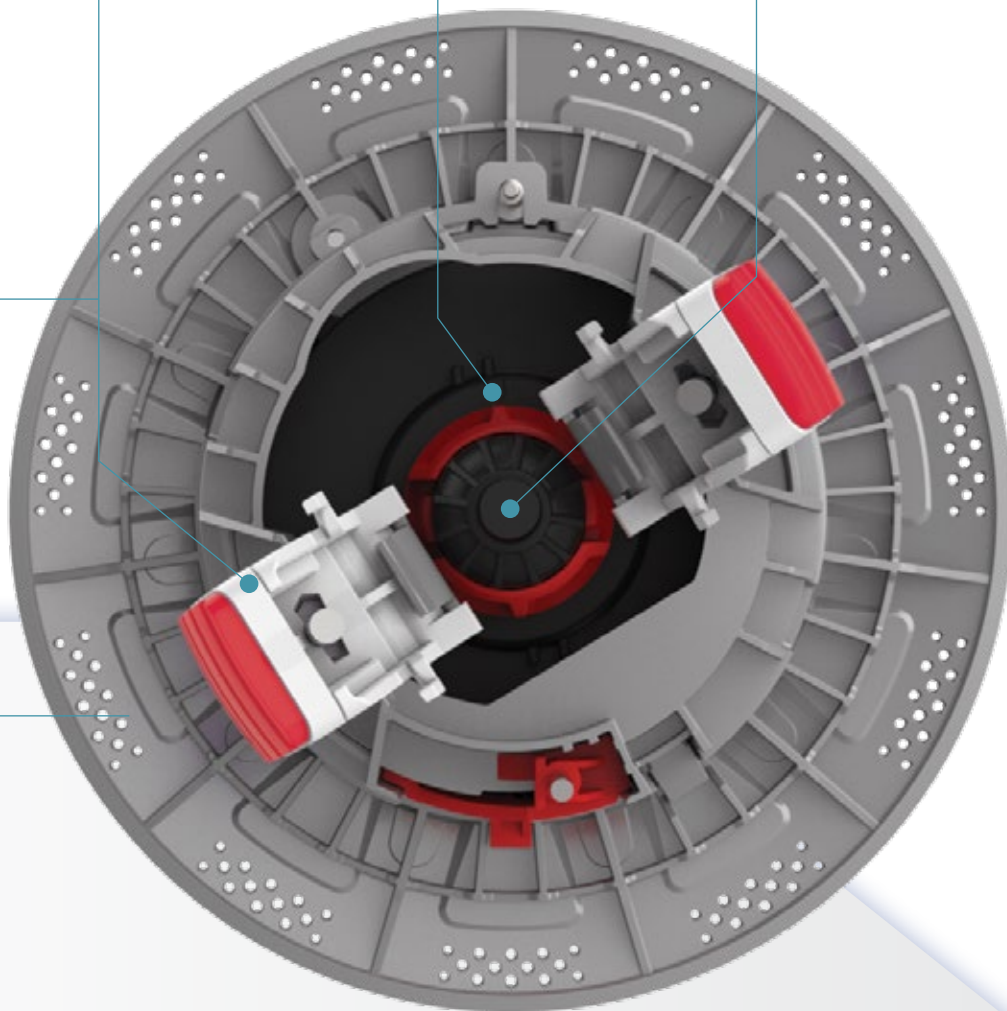
Universal Adaptor  
with patent-pending  
CAM-LOCKS

## Super Cool

Forward-facing  
Heat sink maximises  
cooling efficiency

## UL Listed

Simpler installation  
and servicing  
quick-connect plug



### PRODUCT SPECIFICATION

#### VOLTAGE:

10.5~13v AC

#### WATTAGE:

15w

#### INGRESS PROTECTION:

IPX8

#### SUITABLE FOR:

6" NICHES (ID 4.75 - 5.2 & 5.8 - 6.6  
(Q500 CAM-LOCKS REQUIRED- R6C 006 Q5))

#### COMPATIBLE WITH:

Extra Safe Low Voltage  
LVX Series Transformers

LED COLOR	LED ARRAY	WAVELENGTH	LUMENS	COLOR TEMP
MULTIPLUS:	RGB+W	Varies	1000lm	4000K

Proudly distributed in Canada by:



For more information on the Retro R6  
and our other products, please visit:

Toll Free: 1 885 881 0889  
Web: www.spaelectrics.com

