

56CJ9'; FCI B8'CJ5 @DCC @-BGHFI 7H-CBG'

56CJ9'; FCI B8'DCC @G5 : 9HM



K 5 F B=B;

FAILURE TO HEED THESE WARNINGS CAN RESULT IN PERMANENT INJURY, PARALYSIS FROM A BROKEN NECK, ELECTROCUTION OR DROWNING. THIS POOL IS NOT DESIGNED FOR DIVING OR JUMPING! DANGEROUS INJURY CAN RESULT, SHALLOW WATER!

Your pool contains a large quantity of water, and is deep enough to present inherent dangers to life and health unless the following safety rules are strictly observed. First-time users run the highest risk of injury. Make sure everyone understands. To insure your pool is used safely you a i ghibserve the following safety precautions:

%'BC'>I AD-B; 'CF'8-J-B;

The top rail of your pool is not a walkway and must not be used for jumping or diving. Do not permit jumping or diving into the pool from a deck or the top rail of the pool. Diving or jumping into the pool can result in serious injury.

&"B9J9F'I G9'H<9'DCC @5 @CB9

Never permit the pool to be used unless it is attended by at least one person other than the bather. Someone should always be available to lend assistance in an emergency.

' "B9J9F' @5J9'7 <= @F9B'I B5HH9B898

Never leave a child alone and unsupervised in or near the pool—not even for a second. There is no substitute for constant adult supervision.

("BC'FCI ; < 'D @M

Do not permit "rough-playin" in and around your pool. Surfaces can become slippery and hazardous when wet.

) " @; <H'H<9'DCC @5H'B; <H

If the pool is used after dusk, adequate lighting must be provided. Illumination in the pool area must be sufficient to clearly judge pool depth and all features in and around the pool. For lighting recommendations, consult your local licensed electrical contractor

* "F9GHF'7H'5779GG'HC'H<9'DCC @

Do not leave chairs or other furniture beside the pool that could be used by a child to climb up into the pool. Ladders must be removed whenever the pool is unattended. A fence with a lockable gate around the pool or yard is strongly recommended and may be required by law in some jurisdictions.

+ "BC'5 @'C<C @CF'8FI ; G

Never drink alcoholic beverages or use any intoxicants which could hinder your judgment and reflexes.

, "?99D'MCI F'DCC @7 @5B'5B8'G5B+5FM

Your filter system will remove suspended particles from the water and the surface skimmer will remove insects, leaves and other debris from the water surface. Use the correct pool chemicals as directed to destroy harmful bacteria and prevent formation of algae. Remember, unsanitary water is a serious health hazard.

- . ?99D'C : : 'HCD' @8 ; 9G

Do not walk on top ledges. They can be slippery and they are not a walkway.

%\$'DCC @7CJ9F'G5 : 9HM

The cover must have a tamperproof locking retainer cable that positions the cover around the pool wall and keeps it securely in place. Never allow anyone, especially small children on the cover. Asphyxiation or drowning could result. When purchasing any pool cover, please consult a swimming pool professional.

%8'9 @7HF'75 @<5N5F8

Never touch or attempt to service electrical equipment, including the filter when your body and/or the ground is wet. Electrocution or permanent injury due to high voltage (120V AC) could result. The pool should be bonded in accordance with Section 680-26 of the National Electrical Code. For further assistance contact your dealer or a local licensed electrician. Do not use pool during electrical or rain storms.

%&'G5 : 9HMFCD9 / 'DC @

Keep a safety rope 1/4" by 50" with a flotation buoy with an outside diameter of 15". Have accessible in a prominent area by your pool. Keep a pole not less than 16 feet (4,88m) long with a blunt or hook end available at pool side in case of emergencies.

% . DCC @7 <9A'75 @G

Do not place chlorine, chlorine tablets or sticks directly into skimmer, or winterize your pool with liquid chlorine. Damage to the skimmer, pool liner and filter will result. Failure to obey this instruction will void all component warranties. Always follow Chemical Manufacturer's instructions when storing, handling and dispensing pool chemicals.

%'7<97?' : CF'85A5 ; 9

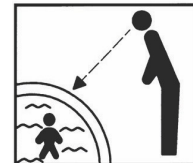
Periodically check your pool and ladder components for damage and wear. Be sure all screws are in place. Replace all damaged or worn components and tighten all screws before you use the pool, deck or ladders. At first sign remove rust and touch up immediately.

% "DCC @D5FHG

Never modify the pool or accessories, or remove or drill holes in the pool, deck or ladder components unless instructed. Your pool wall is made of thin metal, there is an inherent cut hazard with metal so use gloves during installation. Always use Original Equipment Manufactured parts for your replacement parts.

: C @CK'5 @G5 : 9HM-BGHFI 7H-CBG

Read and follow all safety instructions packaged with pool, ladder, deck or any other accessory. Additional pool safety publications can be obtained by contacting: The Association of Pool & Spa Professionals (www.apsp.org)



F9A9A69F
K5H7<
7<= @F9B



IMPORTANT NOTICE READ BEFORE INSTALLATION!

The safety stickers must be installed as per following instructions. Failure to properly install warning labels will void warranty. Failure to mount these safety labels may subject you to substantial liability in case of injury. These warning are not to be removed under any circumstances! If they become discolored or fall off please request replacements which will be sent at no charge.



D @79'G; B'CB
@B9F'56CJ9'K5H9F
@B9ZCDDCG+H'9BHF M
HC'DCC @



D @79'G; B'CB
K5 @B9LH'HC
DCC @9BHF M

T3667-60A

POOL ASSEMBLY AND INSTALLATION MANUAL

Above Ground Aluminum Delta Sheetwall Oval Pools



Note: Deck and fence accessories shown are optional.

THIS MANUAL EXPLAINS THE CORRECT METHOD TO ASSEMBLE YOUR NEW SWIMMING POOL. READ THESE INSTRUCTIONS AND STUDY THE ILLUSTRATIONS. ALSO READ INSTRUCTIONS FOR ACCESSORIES SUCH AS FILTERS, LADDERS, ETC. PAY PARTICULAR ATTENTION TO THE CAUTIONS ON THE FOLLOWING PAGES.

THE MANUFACTURER IS NOT AFFILIATED WITH ANY PROFESSIONAL POOL INSTALLER, THEREFORE THE MANUFACTURER CANNOT ASSUME RESPONSIBILITY FOR ERRORS IN THE INSTALLATION OF YOUR POOL BY THE INSTALLER OR THE HOMEOWNER. IF YOU HAVE THIS POOL INSTALLED BY OTHERS, PLEASE SUPERVISE TO BE SURE YOUR POOL IS INSTALLED PROPERLY AND THAT ALL THE CAUTIONS LISTED THROUGHOUT THIS MANUAL HAVE BEEN FOLLOWED. PAST EXPERIENCE OR SHORT CUTS MAY NOT BE COMPATIBLE WITH OUR POOLS, FOLLOW THE INSTALLATION MANUAL.

THE MANUFACTURER RESERVES THE RIGHT TO CHANGE OR IMPROVE ANY ITEM WITHOUT INCURRING ANY OBLIGATION TO MAKE ANY CHANGES OR IMPROVEMENTS ON ITEMS PREVIOUSLY SOLD AND TO DISCONTINUE MODELS OR CHANGE SPECIFICATIONS AT ANY TIME WITHOUT NOTICE.

THIS PRODUCT IS SOLD WITH A "LIMITED WARRANTY". THE TERMS AND CONDITIONS ARE SET FORTH IN THE "LIMITED WARRANTY" CERTIFICATE PACKED WITH EACH POOL. COPIES OF THE "LIMITED WARRANTY" ARE ALSO AVAILABLE UPON WRITTEN REQUEST.

YOUR LOCAL BUILDING CODE MAY REQUIRE OBTAINING A BUILDING PERMIT AND MAY HAVE REQUIREMENTS ON SECTIONS, BARRIERS, ETC. ANY HOME BUILT OR PREFABRICATED DECKS SHOULD CONFORM TO THE LOCAL CODES, AND BOCA NATIONAL BUILDING CODE. THE ELECTRICAL CODE MAY REQUIRE A PERMIT AND INSPECTION, AND USE OF GFCI DEVICES OR OTHER CONDITIONS. THE ELECTRICAL INSTALLATION MUST ALSO CONFORM TO ARTICLE 680 OF THE NATIONAL ELECTRIC CODE. INSTALL THE FILTER AND PUMP IN ACCORDANCE WITH THE MANUFACTURERS INSTRUCTIONS. **ARTICLE 680 STATES THAT YOU MUST BOND THE SWIMMING POOL PUMP TO THE SWIMMING POOL. THIS CAN BE DONE BY ATTACHING A #8 COPPER WIRE FROM THE BONDING LUG ON THE PUMP TO AN UNPAINTED METAL SURFACE ON THE POOL WALL OR BOTTOM CLIP.**

THE INSTALLATION OF AN ABOVE GROUND SWIMMING POOL WILL USUALLY REQUIRE THREE PEOPLE TO HELP ASSEMBLE IT.

DANGER: THIS POOL, EVEN IF SUPPLIED WITH A DEEP AREA, CONFORMS TO THE NATIONAL SWIMMING POOL INSTITUTE STANDARDS FOR A TYPE O, NON-DIVING POOL. DIVING, SLIDING OR JUMPING INTO THE POOL MAY CAUSE PARALYSIS, DEATH OR PERMANENT INJURY.

DANGER

1. DO NOT DIVE OR JUMP INTO YOUR POOL. DO NOT USE A POOL SLIDE ON THIS POOL. YOUR POOL CONTAINS SHALLOW WATER AND IS NOT DESIGNED FOR HEAD FIRST ENTRY (DIVING OR SLIDING) OR JUMPING. DIVING, SLIDING OR JUMPING CAN RESULT IN A BROKEN NECK IF YOU STRIKE THE POOL. THIS CAN RESULT IN PARALYSIS, DEATH OR PERMANENT INJURY. INFORM ALL FAMILY AND GUESTS OF THESE RULES AND POINT OUT WARNING LABELS.
2. IT IS NECESSARY TO MAINTAIN A 4' HIGH BARRIER TO REDUCE THE CHANCE OF A CHILD ACCESSING AN UNSUPERVISED POOL. THE BARRIER MAY BE A FENCE, WALL, OR COMBINATION THEREOF WHICH COMPLETELY SURROUNDS THE POOL. BARRIERS MUST COMPLY WITH THE LOCAL BUILDING CODE, BOCA NATIONAL BUILDING CODE OR THE "CONSUMER PRODUCT SAFETY COMMISSION" BARRIER STATEMENT. THE FOUR FOOT HIGH POOL WALLS USUALLY PROVIDE THIS BARRIER, HOWEVER IF THE POOL IS LESS THAN 48" ABOVE GRADE, OR HAS BUTTRESSES (OVAL POOLS), YOU MAY NEED ADDITIONAL FENCING TO PROVIDE THIS BARRIER. CONSULT WITH YOUR BUILDING OFFICIAL FOR SPECIFIC REQUIREMENTS. FENCING OPTIONS ARE AVAILABLE FOR YOUR POOL, PLEASE CONTACT YOUR POOL DEALER.
3. YOU MUST MAINTAIN A 5' WIDE "CLEAR ZONE" AROUND THE POOL AND DECK OR FENCING. DO NOT ALLOW TOYS, CHAIRS, TABLES OR SIMILAR CLIMBABLE OBJECTS IN THIS "CLEAR ZONE", ENABLING CHILDREN TO CLIMB AND GAIN ACCESS TO THE POOL. THE FILTER EQUIPMENT MUST ALSO BE LOCATED OUTSIDE OF THE "CLEAR ZONE".
4. YOU MUST RAISE AND LATCH, OR SECURE YOUR POOL LADDER OR POOL ENTRANCE WHEN THE POOL IS NOT IN USE.

Adherence to the above items will reduce the frequency of preventable child drownings in swimming pools.

WARNING

1. YOUR POOL IS SUPPLIED WITH WARNING SIGNS WHICH MUST BE AFFIXED TO THE POOL AS SPECIFIED. IF YOU BUILD A DECK, THE TWO AREA SIGNS MUST BE AFFIXED TO THE DECK AT THE POINT OF ENTRY, VISIBLE TO PEOPLE ENTERING THE POOL AREA. FAILURE TO INSTALL OR IMPROPER LOCATION OF SAFETY INFORMATION WILL SUBJECT YOU AND/OR THE INSTALLER TO LIABILITY ARISING FROM INJURY CLAIMS.
 - A. **NO DIVING COPING:** (TWO SUPPLIED) THESE ARE TO BE INSTALLED ACROSS THE POOL FROM THE POINT OF ENTRY, AND HAVE ONE SECTION OF REGULAR COPING BETWEEN THEM.
 - B. **COPING WITH INTERNATIONAL LOGO:** THIS ONE COPING IS TO BE INSTALLED AT THE POINT OF ENTRY, EITHER ADJACENT TO THE "A" LADDER, UNDER THE IN POOL LADDER, OR IN THE CENTER OF A DECK.
 - C. **DANGER AREA SIGN WITH LOGO:** (T1440) THIS SIGN MUST BE INSTALLED AT THE POINT OF ENTRY, FACING ALL USERS AS THEY ENTER THE POOL. IF YOUR POOL HAS A FENCE, THE SIGN IS TO BE FASTENED TO THE FENCE, ADJACENT TO THE LADDER OR ENTRANCE. IF YOUR POOL DOES NOT HAVE A DECK OR FENCE, ATTACH THE SIGN TO THE EDGE OF THE COPING ADJACENT TO THE LADDER. THE SIGN MUST BE VISIBLE TO ALL USERS AS THEY ENTER THE POOL AREA.
 - D. **CAUTION - SAFETY RULES SIGN:** (1445) THIS SIGN MUST BE ATTACHED TO THE FENCE DIRECTLY BELOW THE DANGER SIGN OR IF YOU DO NOT HAVE POOL FENCING, ON THE COPING NEXT TO THE DANGER SIGN.

If any signs are missing or damaged contact the customer service department for replacements.

CAUTION

1. DECK SURFACES MAY BECOME SLIPPERY WHEN WET. DO NOT RUN OR DIVE INTO THE POOL FROM THE DECK. NOTE: SUNTAN LOTIONS AND OILS MAY CAUSE POOL COMPONENTS TO BECOME SLIPPERY.
2. **EACH MONTH CHECK THE POOL WALL FOR DETERIORATION OR LEAKAGE, ESPECIALLY AT THE SKIMMER AND RETURN FITTINGS. THE SKIMMER AND RETURN GASKETS SHOULD BE REPLACED EACH SPRING TO PREVENT LEAKAGE. DETERIORATION CAN WEAKEN THE POOL WALL WHICH COULD RUPTURE, RELEASING THE POOL WATER WHICH COULD CAUSE BODILY HARM AND PROPERTY DAMAGE.**
3. FOR NIGHT TIME USE, YOU MUST PROVIDE LIGHTING TO ILLUMINATE THE POOL, SAFETY SIGNS, AND DECK SURFACES. LIGHTING MUST COMPLY WITH ARTICLE 680 OF THE NATIONAL ELECTRIC CODE. IT IS IMPORTANT THAT USERS BE ABLE TO SEE THE SHALLOW DEPTH OF THE POOL AT ALL TIMES.
4. THE FOLLOWING BASIC LIFESAVING EQUIPMENT MUST BE ON HAND AT ALL TIMES:
 - A. A LIGHT BUT STRONG POLE (SHEPHERD'S CROOK) NOT LESS THAN 12' LONG.
 - B. A 1/4" THROWING ROPE, AS LONG AS 1 1/2 TIMES THE MAXIMUM WIDTH OF THE POOL, WHICH IS ATTACHED TO A COAST GUARD APPROVED FLOTATION DEVICE SUCH AS A RING BUOY.
 - C. A TELEPHONE SHOULD BE NEARBY WITH A LIST OF EMERGENCY TELEPHONE NUMBERS, SUCH AS POLICE, & AMBULANCE

5. ADDITIONAL POOL SAFETY RELATED PUBLICATIONS ARE AVAILABLE FROM THE FOLLOWING:
- | | |
|---------------------------------|------------------------------------|
| NATIONAL SPA AND POOL INSTITUTE | CONSUMER PRODUCT SAFETY COMMISSION |
| 2111 EISENHOWER AVE WASHINGTON, | DC 20207 |
| ALEXANDRIA, VA 22314 | |

IMPORTANT INSTALLATION ITEMS

1. LEVELNESS; POOL MUST BE LEVEL WITHIN 3/4". UNLEVEL POOLS PLACE EXTREME FORCES ON THE POOL WHICH MAY DEFORM.
2. WALL CLOSURE; THE POOL WALL MUST BE FASTENED TOGETHER PROPERLY WITH BOTH BARS AND FASTENERS IN ALL HOLES. OMITTED BARS OR FASTENERS CAN CAUSE THE WALL TO RUPTURE, DESTROYING THE POOL AND INJURING PEOPLE.
3. SAND COVE; THIS SUPPORTS THE LINER AND MUST BE PACKED SOLID. IF IT COMPRESSES, SHIFTS OR ERODES THE LINER MAY RUPTURE, RELEASING ALL THE WATER AND DESTROYING THE POOL AND INJURING PEOPLE.
4. THESE POOLS ARE NOT DESIGNED TO BE BURIED. THE GROUND FORCES CAN COLLAPSE THE POOL INWARD.
5. DO NOT LOCATE YOUR POOL NEAR STRUCTURES SUCH AS A HOUSE, GARAGE, ETC. AS PEOPLE COULD DIVE OR JUMP INTO THE POOL RESULTING IN DEATH OR PERMANENT INJURY.
6. ALTHOUGH THERE ARE RELATIVELY FEW PARTS IN YOUR POOL, NONE MAY BE OMITTED IN ASSEMBLY. EACH PART SUPPLIED IS AN IMPORTANT PART AND IF OMITTED, MAY CAUSE POOL FAILURE. CHECK ALL PARTS AGAINST THE PARTS LIST.

WARNING: Do not exceed the following torque values for the noted fasteners:

1/4" - 20 S. S. Fasteners	75 (in. lbs.)
3/8" - 16 S. S. Fasteners	236 (in. lbs.)
3/8" - 16 Aluminum Fasteners	143 (in. lbs.)

TOOLS AND MATERIALS

PHILLIPS SCREWDRIVER #2	HAND TROWEL	EXTENSION CORD	HAMMER	RAKE
SLOTTED SCREWDRIVER #2	GARDEN HOSE & NOZZLE	STRING LINE	PLIERS	
SOCKET WRENCH & SOCKETS	50' TAPE MEASURE	HAND TAMPER	TO RQUE WRENCH	
TRANSIT OR FARM LEVEL	ELECTRIC DRILL & BITS	GARDEN SHOVEL	WRENCHES	
1 LONG STRAIGHT 2 X 4 14' LONG	1 ROLL DUCT OR FABRIC TAPE		WHEELBARROW	
25 WOOD STAKES	1 CAN WHITE SPRAY PAINT	PLASTIC GROUND COVER		

SAND AND BLOCK CHART

POOL SIZE	SAND		2" x 8" x 16"	4" x 8" x 16"
	TONS	YARDS	PATIO BLOCKS	CAP BLOCKS
12'x18'	2	1 1/4	12	2
12'x21'	2 1/2	1 3/4	12	4
12'x24'	3	2	8	6
15'x24'	3 1/2	2 1/4	12	4
15'x30'	4	2 3/4	12	8
18'x33'	5 1/4	3 1/2	14	8

NOTE: Sand must be masons or bar sand and be free of foreign objects

SELECTING THE POOL SITE

1. Check your local building codes and acquire proper building permits. For poor soil conditions consult a professional engineer.
2. The pool site must be absolutely level and solid. The area must be free from stones and roots.
3. To protect the pool from chemicals and foreign matter in the soil, you may use a ground cover under the sand base. Do not install your pool on asphalt, tarpaper, grass, wood, gravel, clay, concrete, or treated soils.
4. Position your pool away from trees, overhead wires, structures such as a house or garage or septic fields.

GROUND PREPARATION

Your pool must be installed on a solid level surface, perform the soil test as shown below. Position stakes as shown on figure 1 and use a farm level or transit to level the area shown. Remove all grass, roots and stones. Start at the lowest spot, remove all high spots, do not fill in low spots. The area must be absolutely level. Lines 1 through 6 of the following table refers to Figure 1

Soil Test

Dig a hole in the pool area one foot square and one foot deep and fill with water. If at the end of one hour the water has not completely soaked in, the following steps must be taken:

1. **Round Ends:** 3 patio blocks must be placed under each bottom clip as shown in figure 8.
2. **Oval Midsections:** A concrete footing must be placed under the end of each Delta upright along both sides and down the length of the bottom rail. Consult a local professional engineer to determine the size and type of concrete footing to be installed. The design load per upright is 4,000 lbs.

(ALUMINUM WALL)

OVAL POOLS	LINE "1"	LINE "2"	LINE "3"	LINE "4"	LINE "5"	LINE "6"
12' X 18'	7' - 3"	6' - 3"	7' - 0"	6'-0"	17' - 7"	2'-8"
12' X 21'	7' - 3"	6' - 3"	10' - 0"	9'-0"	17' - 7"	2'-8"
12' X 24'	7' - 3"	6' - 3"	13' - 0"	12'-0"	17' - 7"	2'-8"
15' X 24'	8' - 6"	7' - 6"	10' - 0"	9'-0"	20' - 1"	2'-8"
15' X 30'	8' - 6"	7' - 6"	16' - 0"	15'-0"	20' - 1"	2'-8"
18' X 33'	10' - 0"	9' - 0"	16' - 0"	15'-0"	23' - 1"	2'-8"

Step 1: Parts Identification :
See figures in bill of material packet. Check for installation addendums.

Step 2: Ground Layout:
Layout the area to be leveled as shown in Figure 1. Measure and mark with spray paint the lines on the ground for your size pool. Dig 2" deep to remove all grass from within the pool area, clear all debris and level this entire area using a transit. Be certain the area is smooth and all grass, stones, roots and any other foreign objects have been removed. **Do not build up or fill low areas. Remove all high spots.**

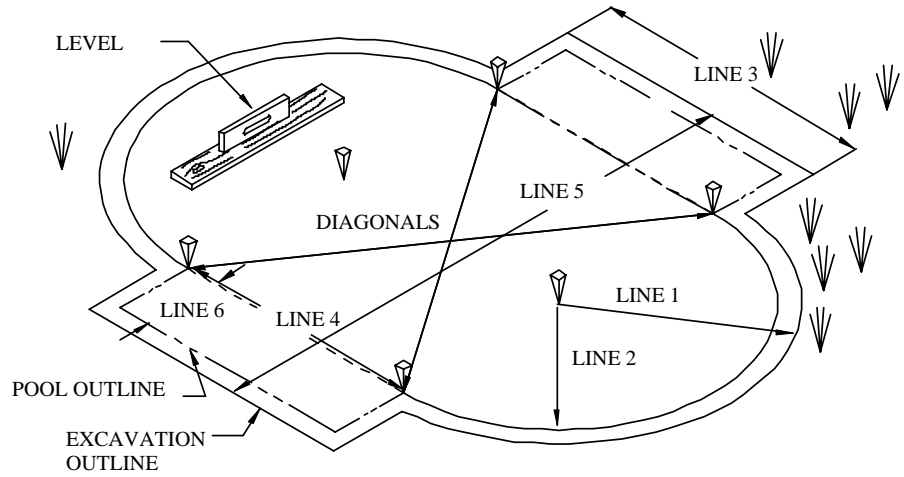
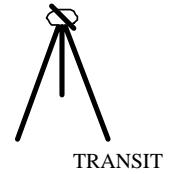


FIGURE 1
L00003B

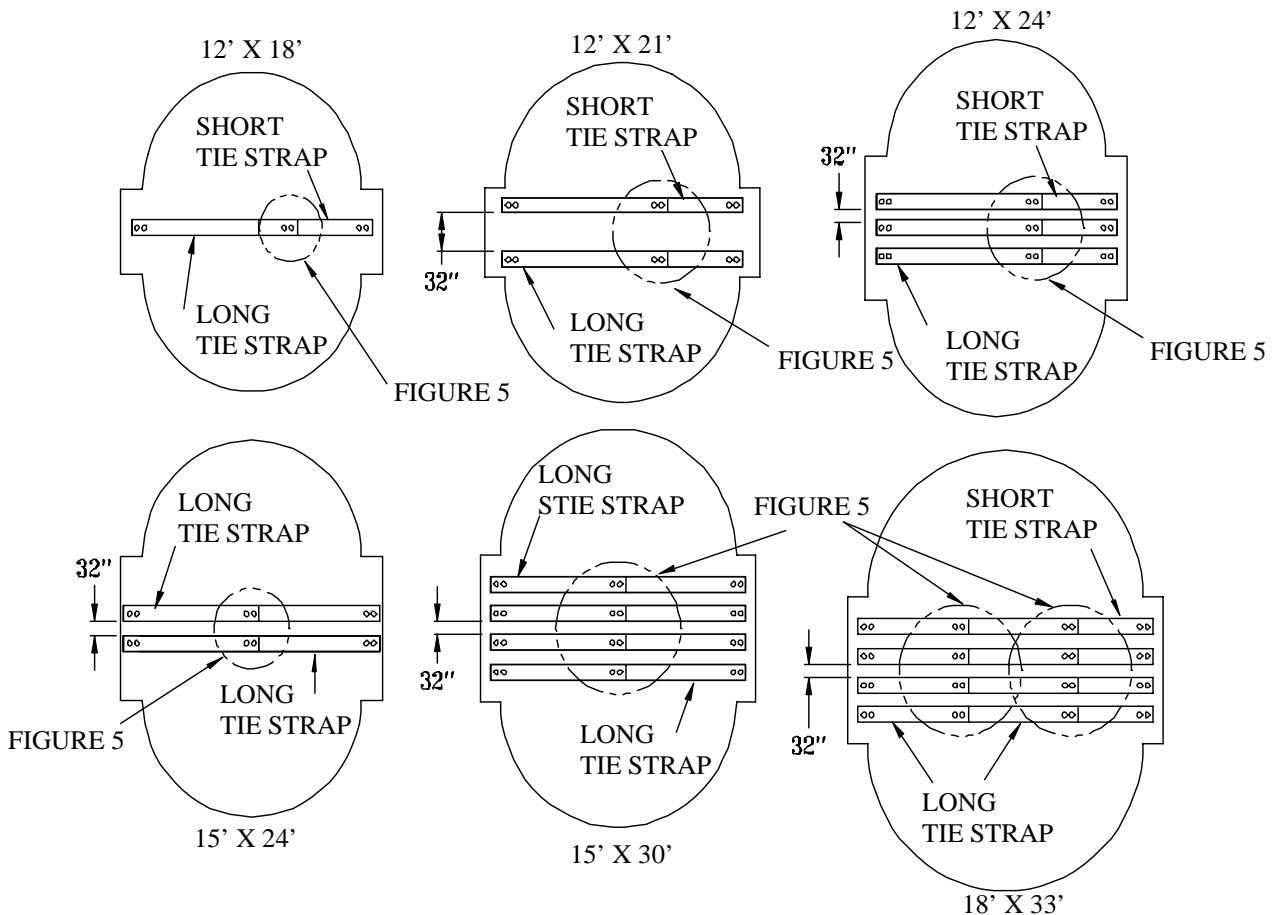


CAUTION: For Oval Hopper Pools: If this pool is being installed with a deep end refer to instructions packed with the liner.

NOTE: FASTEN TOGETHER ONLY THE CENTER INDICATED BY CIRCLES

FIGURE 2
L00034C

TIE STRAP LAYOUT



Step 3: Attach the left and right sides of the delta uprights to the bottom beams as shown in Figure 3. Slide the tee clip through the slot in the bottom rail and attach to the **top of the bottom beam** as shown in Figure 3A. Bolt the tie straps to the adapter plate then attach the adapter plate to the bottom beam as shown in Figure 3. See Figure 2 for correct tie strap placement. Slide the two correct delta interlocks over the left and right delta upright pieces as shown. Slide the vinyl cap onto the ends of the bottom beams as shown in Figure 3.

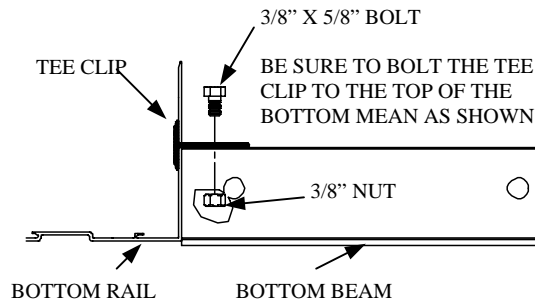
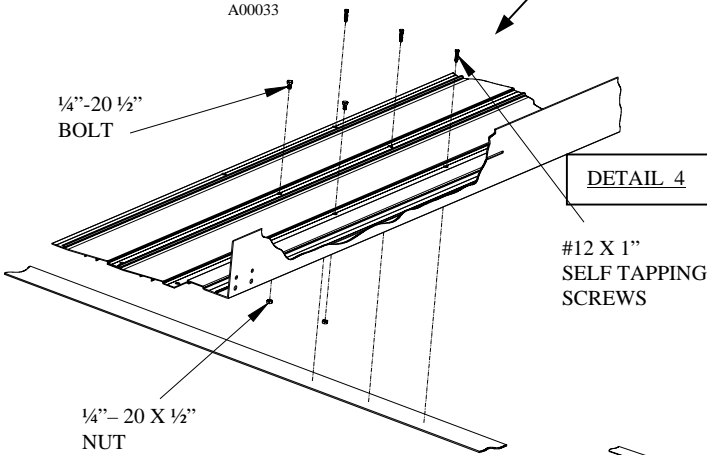


FIGURE 3A

A00033



DETAIL 4

#12 X 1\"/>

1/4\"/>

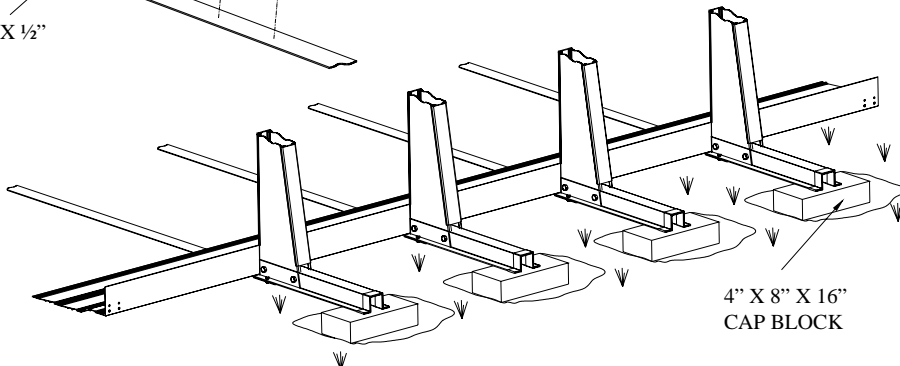


FIGURE 4

L00015C

FIGURE 5

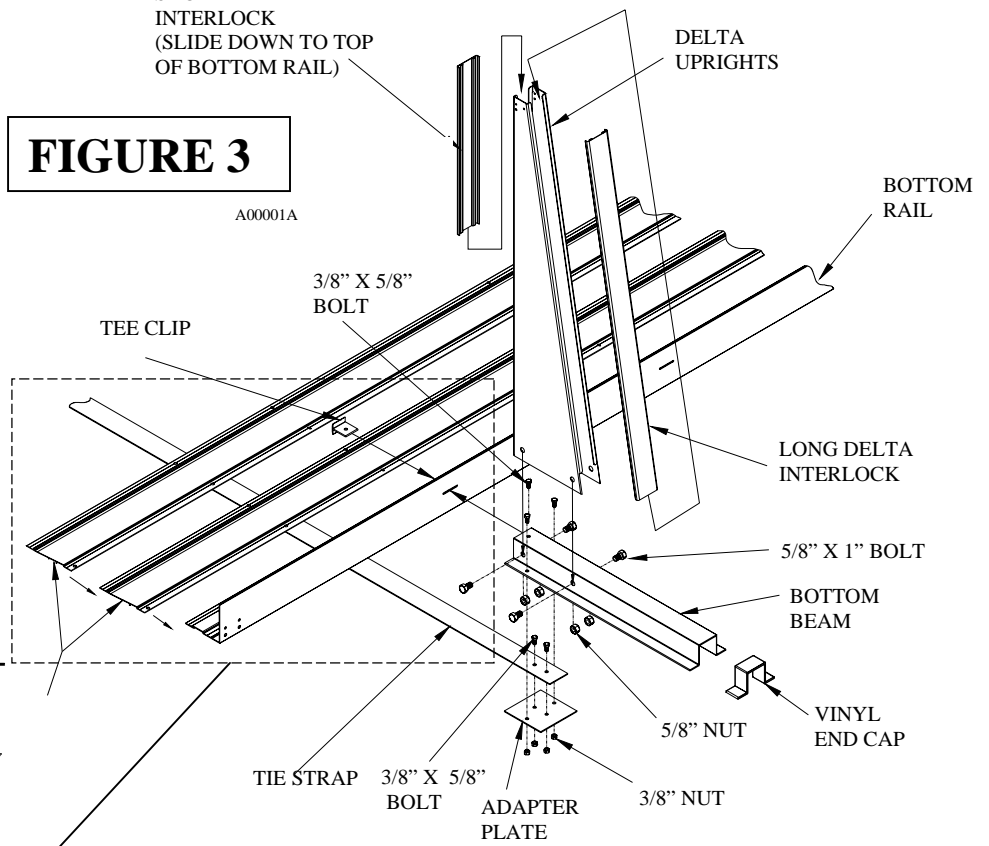
A00029

SHORT DELTA INTERLOCK (SLIDE DOWN TO TOP OF BOTTOM RAIL)

DELTA UPRIGHTS

FIGURE 3

A00001A



Step 4: Interlock the mud sills into the bottom rail as shown in Figure 3. Bolt the Mud sills to the bottom rail as shown. Attach the bottom rail/mud sill assembly to the tie straps with #12 X 1\"/>

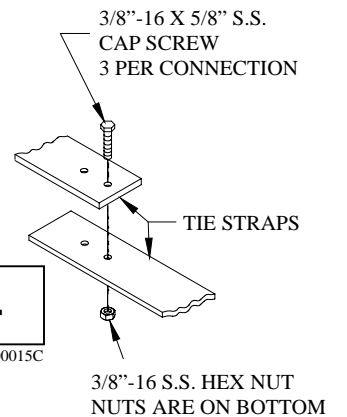


FIGURE 4

L00015C

3/8\"/>



If your pool is getting a walk deck or pool fence, attach the appropriate post holder or walk deck support at this time. See manual supplied with the walkdeck or pool fence.

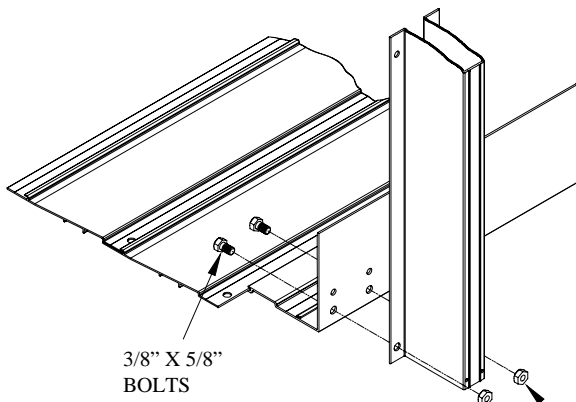


FIGURE 6
L00053

Step 5: Bolt together the tie straps across the span of the pool as shown in Figure 4. Once both sides of your mid-section is assembled, verify that your pool is squared properly by measuring the diagonal distance from the two opposite corners of the bottom rail.

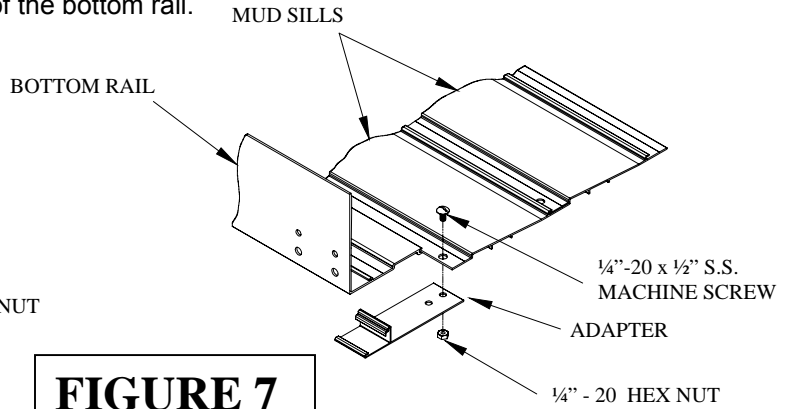


FIGURE 7
L00054

Step 6: Dig down and place a 4" X 8" X 16" cap block at the end of each bottom beam as shown in Figure 5. Level the bottom rail with a transit and adjust to be certain it is level.

Step 7: Attach the transition uprights to the four corners of the bottom rail as shown in Figure 6.

Step 8: Assemble the adapter to the mud-sill as shown in Figure 7.

HINT: It may be helpful to crimp the bottom clip over the wall channel to keep it from coming loose.

Important: To keep the wall on oval pools properly aligned with the bottom rail, be certain to insert the 3" angle in the correct

direction, and the bottom clips on the round ends must be 1/8" above the elevation of the top surface of the bottom rail. Also pack the sand cove firmly against the wall along the midsection of the pool to provide proper support. Failure to do this may cause a wrinkling in the wall around the bottom rail as

the bottom rail and uprights are fixed and the wall must expand around it. Some minor wrinkling may occur while filling the pool, this is normal for this type of midsection and does not pose any structural risk.

Step 9: See Figure 1. Mark line "2" as shown in the table on page 3. Insert the short wall channel into the adapter. See Figure 8. Create a half circle on line "2" by sliding the longer wall channels into the bottom clips. See Figure 8. Place a 2" thick patio block under each bottom clip. If the bottom wall channel is on soft ground, place additional blocks in a pyramidal shape under the bottom clips for support. Also place additional blocks under the wall channel where needed. Dig 2" down for each block. *The top of each block must be at grade level.* Place a stake adjacent to each wall channel to keep the half circle in position during installation. Repeat for other end. Place the 3" angles into the slot in the bottom rail as shown in Figure 8. Insert long end down.

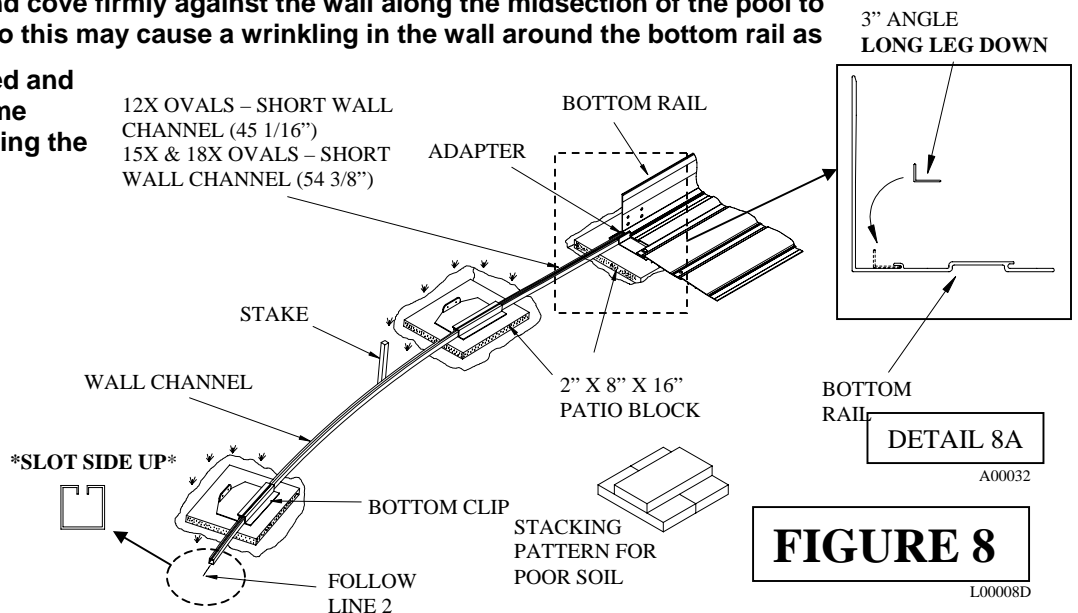
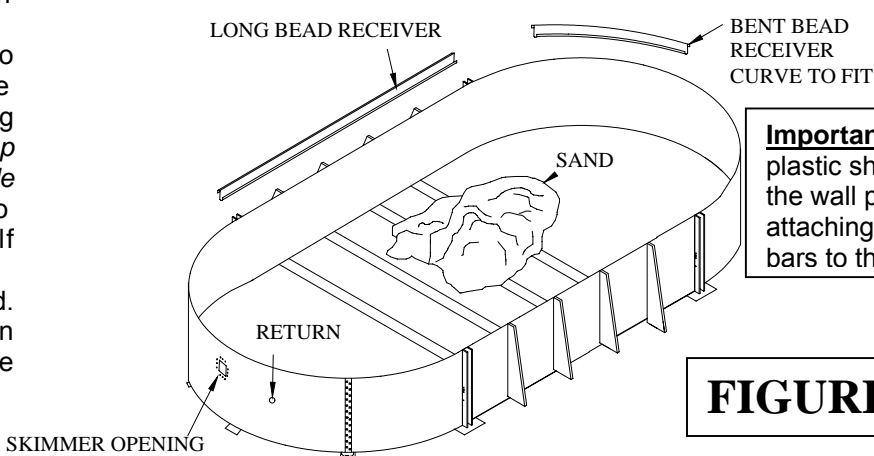


FIGURE 8
A00032
L0008D



Important: Remove the plastic shipping film from the wall prior to attaching the enclosure bars to the wall.

FIGURE 9
W00012

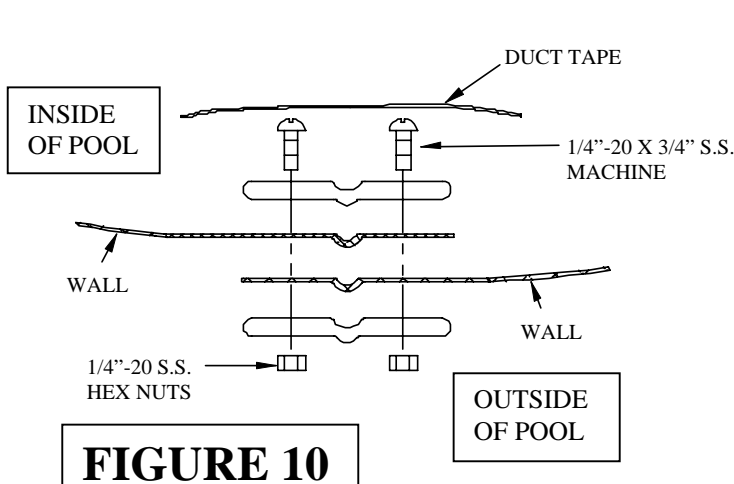


FIGURE 10

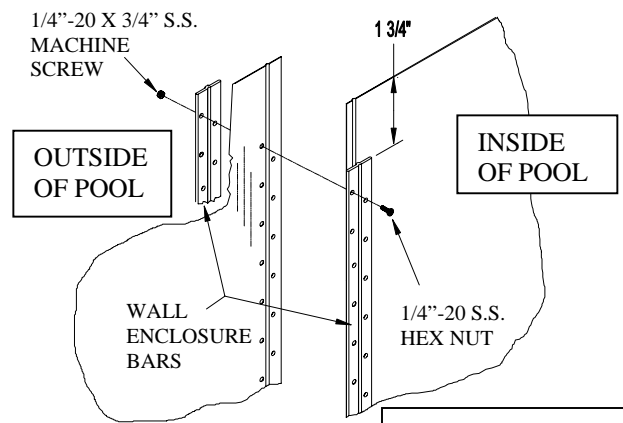


FIGURE 11

L00036

L00036C

Important: Remove the plastic shipping film from the wall prior to attaching the enclosure bars to the wall.

Step 9 cont: See Figure 9, 10 and 11. Place the required amount of sand inside the pool area. Starting at the center of a bottom clip, insert the pool wall into the wall channel around the entire pool area. Make sure the skimmer and return cutout are at the top of the wall and not over a clip or upright. Attach the pool wall

NOTE: Start wall enclosure strip at the bottom hole on the wall. If the enclosure strip does not cover the last hole at the top of the wall, you should attach it with a 1/4" - 20 x 3/4" machine screw!

CAUTION: Installation of the wall in any other manner than precisely described above will cause extensive damage to the pool and may result in injury or death to those people in or around your pool.

together as shown using the two (2) wall enclosure bars and hardware. The heads of the machine

NOTE: THE TAB ON THE BOTTOM AND TOP CLIPS ARE ON THE OUTSIDE OF THE UPRIGHT

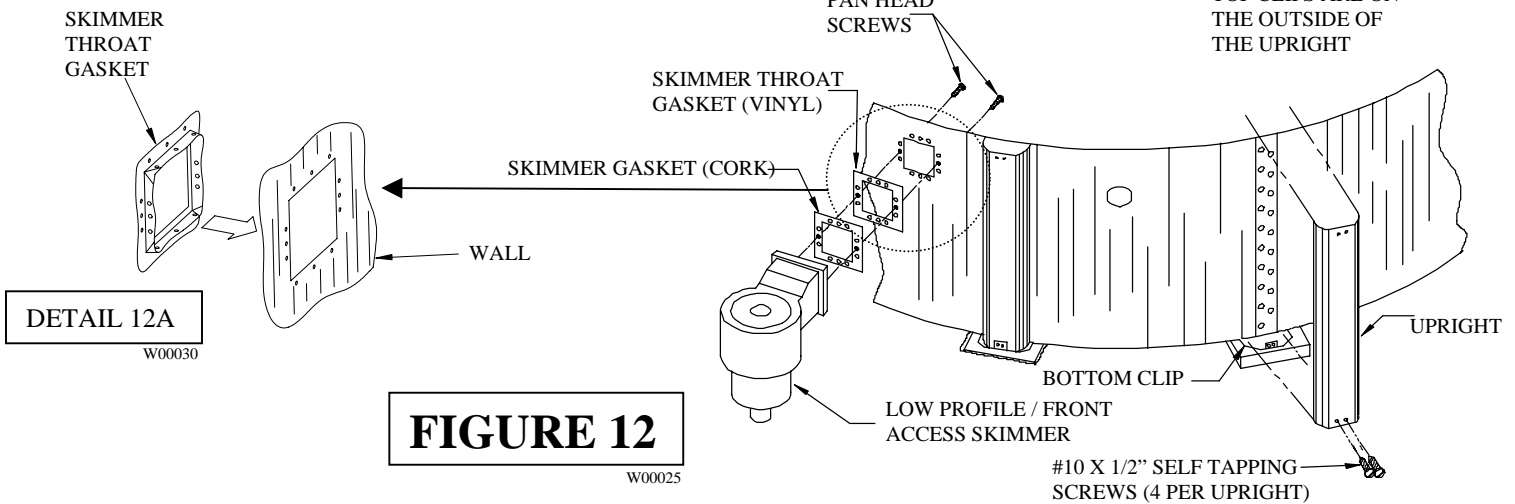
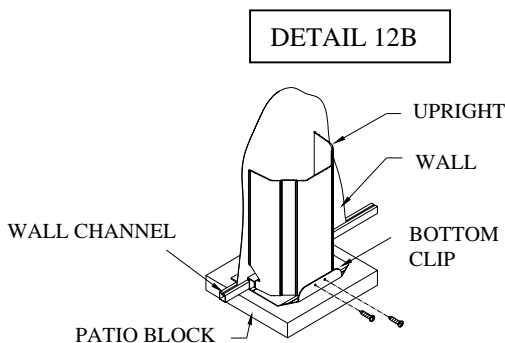


FIGURE 12

W00025

NOTE: THE SKIMMER THROAT GASKET MUST SANDWICH THE WALL. I.E. ONE FLAP OF THE GASKET MUST BE ON THE INSIDE OF THE WALL AND THE OTHER ON THE OUTSIDE.



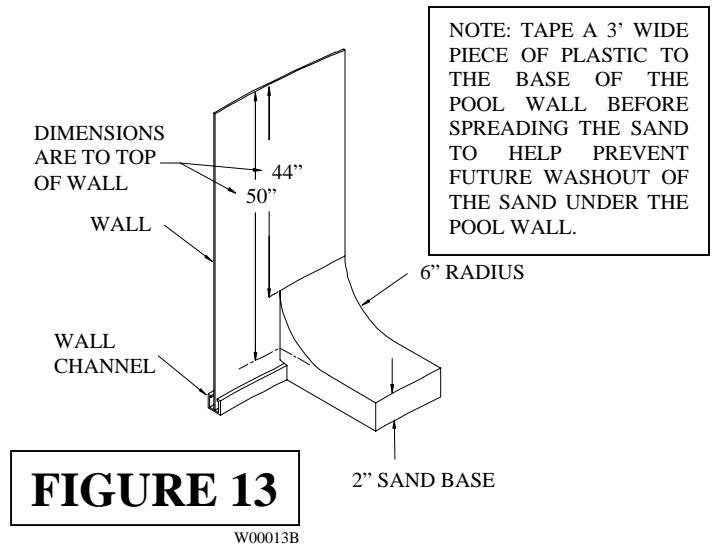
screws must be on the inside of the wall. Do not omit any fasteners in the pool wall connection. The wall will not stay together without all the fasteners. Cover the bolt enclosure on the inside with several layers of fabric tape to protect the liner.

If either wall enclosure strip is missing, damaged or does not align properly with all holes in the wall, do not use the wall and notify your dealer at once.

NOTE: If the wall does not stay in the wall channel, the ground is not level, remove the wall and relevel the wall channel.
-After the pool wall is assembled, check the dimensions of the pool to insure that it has not shifted during assembly.

WARNING: Failure to use the sand or sand equivalent and shape it as specified will void all warranties on the pool and liner.

Steps 13 through 15 are for overlap liners only.
For beaded liners proceed to step 16.

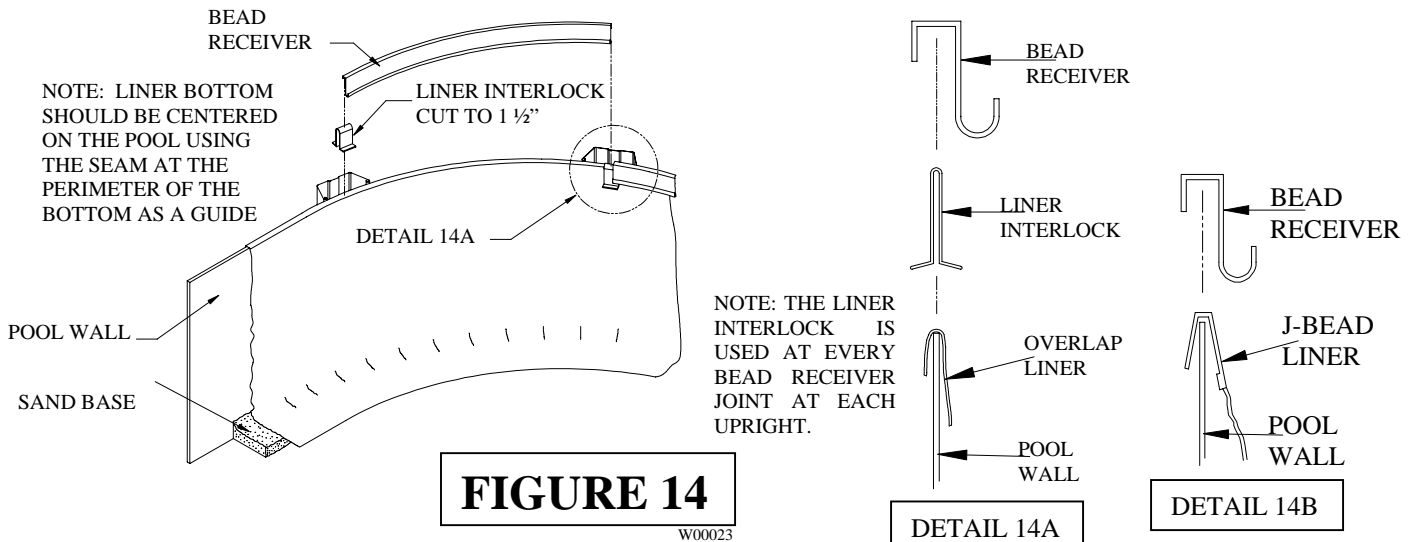


OVERLAP LINERS

Step 13: Remove the liner from the carton and unfold into the pool. Be careful not to drag, abrade or snag the liner. Spread the liner out over the entire bottom of the pool. Raise the liner side wall.

Step 14: See Figure 14, Detail 14A, Figure 15 and Figure 16. Place the liner over the edge of the wall. Make sure the overlap is equal around the outside of the pool wall. Cut the liner into 2 inch pieces and center the 1 1/2 inch pieces of the liner interlock over the liner at each upright. Place the bead receiver over the liner interlock and liner as shown, to secure the liner in place.

Step 14A: See Detail 14B, for a J-Bead Liner. Place J Hook bead of the liner on top of the wall and push down firmly. Then place the bead receiver or wall channel over the J-Bead liner and attach the top clips to the uprights. Do NOT put the J-Bead liner in the bead receiver.



NOTE: If the liner is exposed to the sun for a long time, it will stretch and cause wrinkles. This can be avoided by waiting until dusk or by spraying cold water on the liner during installation.

Step 15: Smooth all the wrinkles out on the bottom of the liner. To remove wrinkles, always pull the liner firmly but gently. No sharp tugs! Be certain liner is centered. Time spent removing wrinkles and aligning the liner will give you a neater looking and easily maintained pool.

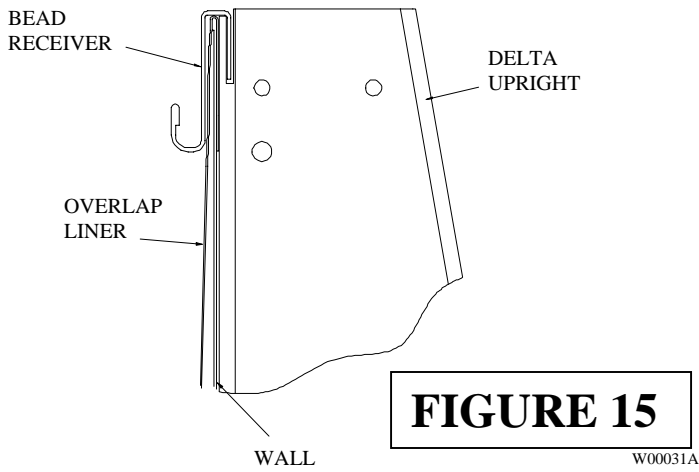


FIGURE 15
W00031A

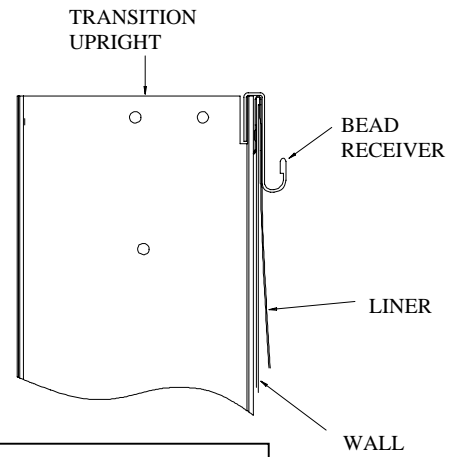


FIGURE 16
W00032A

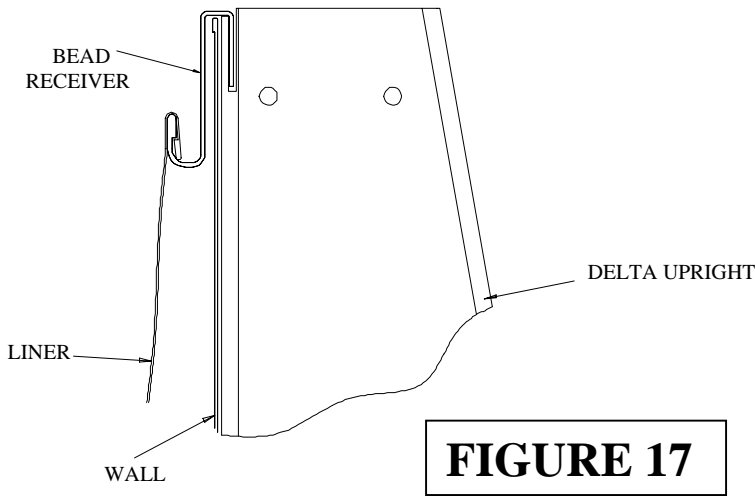


FIGURE 17
W00033A

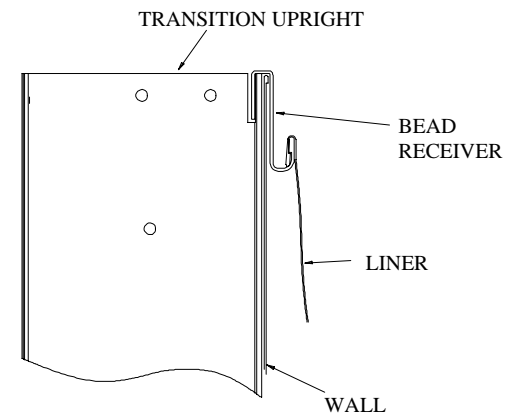


FIGURE 18
W00034A

BEADED LINERS

Step 16: See Figures 17, 18 and 19. Place the bead receiver on the wall with the ends centered over the uprights. Tape the joints of the bead receiver using fabric tape to protect the liner.

Step 17: Attach the transition top clips to the top of the transition uprights as shown in Figures 20 and 21, based on the type of pool you have. For aluminum frame pools, attach a #10 captive nut to the top clip prior to assembling the clip to the transition upright.

Step 18: Attach a sheet wall upright over top of the transition upright as shown in Figures 22 and 23, based on the type of pool you are installing. Lift up one end of the bead receiver and slide the top clip completely onto the first bead receiver until the ends of the bead receiver are centered into the top clip. Use this same method on the round ends of the pool.

Step 19: Remove the liner from the carton and unfold into the pool. Be careful not to drag, abrade or snag the liner. Spread the liner out over the entire pool bottom. Locate the triangle shaped tabs on the under-surface of the liner. These tabs should be lined up with the four transition uprights on the floor of the pool. Raise the liner sidewall and place the bead into the bead receiver. Smooth all the wrinkles out on the bottom of the liner. To remove wrinkles, always pull the liner firmly but gently. No sharp tugs! Be certain liner is centered. Time spent removing wrinkles and aligning the liner will give you a neater looking and easily maintained pool. The bead must be fully seated in the receiver to prevent it from coming out later when filling pool. Check frequently when filling pool with water.

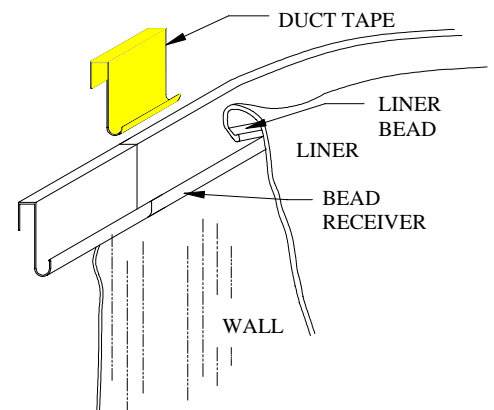


FIGURE 19
W00023

ATTACHING THE TOP CLIPS TO THE TRANSITION UPRIGHTS AT THE FOUR CORNERS OF THE OVAL:

Note: When properly installed, the direction of the hole pattern on this clip should form an arrow facing out of the pool.

FIGURE 20

A00017B

FOR ALUMINUM POOLS WITH 5" FRAMES

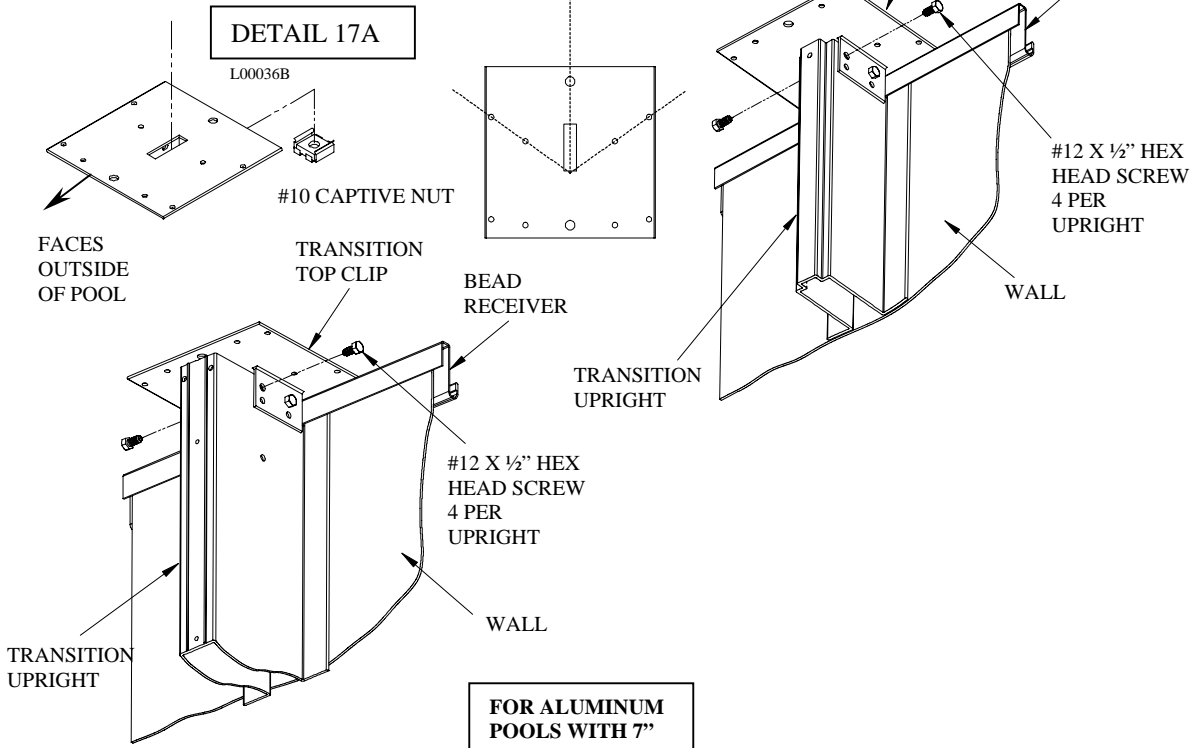


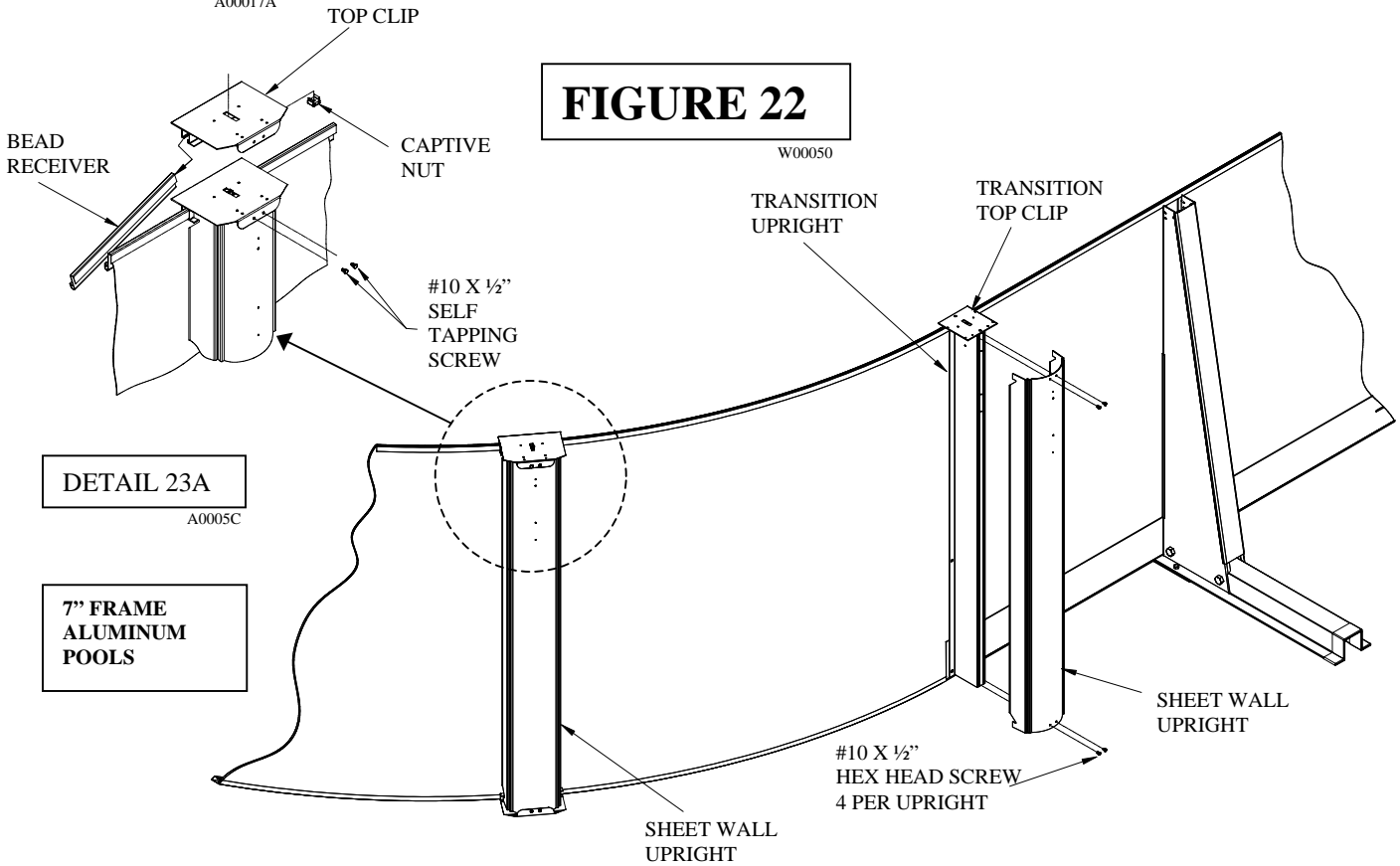
FIGURE 21

A00017A

FOR ALUMINUM POOLS WITH 7" FRAMES

FIGURE 22

W00050



DETAIL 23A

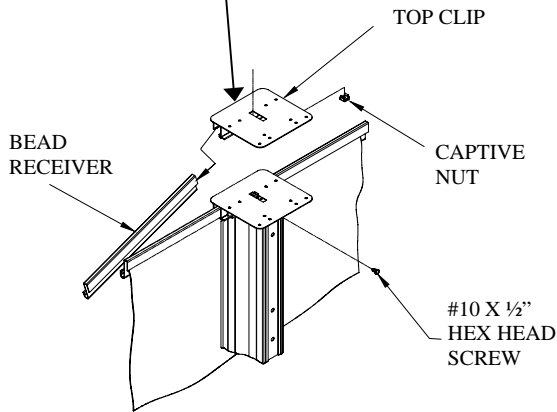
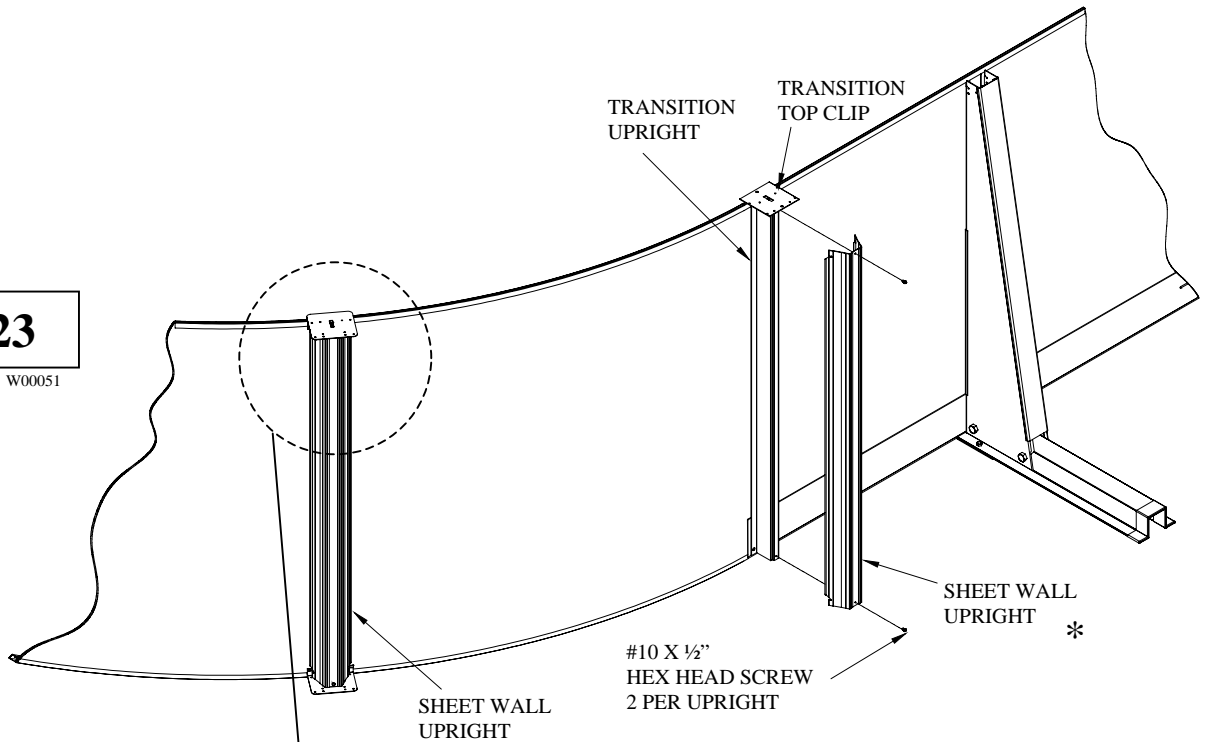
A0005C

7" FRAME ALUMINUM POOLS

5" FRAME
ALUMINUM
POOLS

FIGURE 23

W00051



DETAIL 23A

A0005D

Step 20: Begin to fill the pool with water. Use a slow stream of water and fill approximately 1 1/2" deep. If the pool is an oval, be certain that the blocks under the bottom beams have remained level and that the bottom beams are seated firmly on those blocks. Make sure the fit of the liner is correct. Smooth out any wrinkles in the pool bottom. **If installing a deck, do not fill more than 12" until the deck is installed.**

Step 21: Fill the pool with 4" to 6" of water. Measure the distance from the bead receiver to the water surface at several points around the pool to be certain that the pool is still level.

WARNING: The pool must not be more than 3/4" out of level. If the pool is not level, drain the water and level the structure. Any non-compliance with this requirement will void all warranties.

Step 22: Locate the safety warning copings as described and as shown at the back of this manual. Then attach all sections of coping as shown in figures 24, 25 and 26 using the outermost holes in the top clips.

Step 23: See Figure 28. Assemble the coping covers as shown based on the type of pool you are installing.

FIGURE 24
C000012B

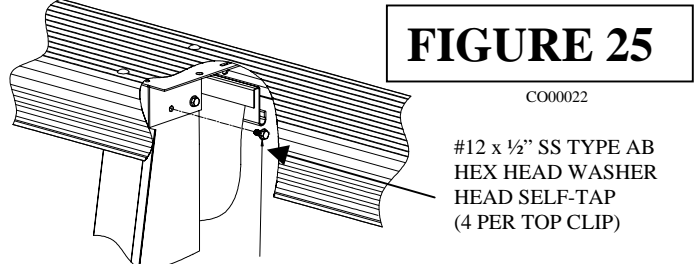
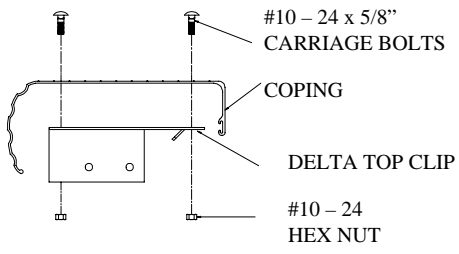


FIGURE 25
C000022

ALUMINUM POOLS

Note: Attach the midsection coping to the delta top clips first, then attach the coping and top clips to the delta uprights as a complete assembly.

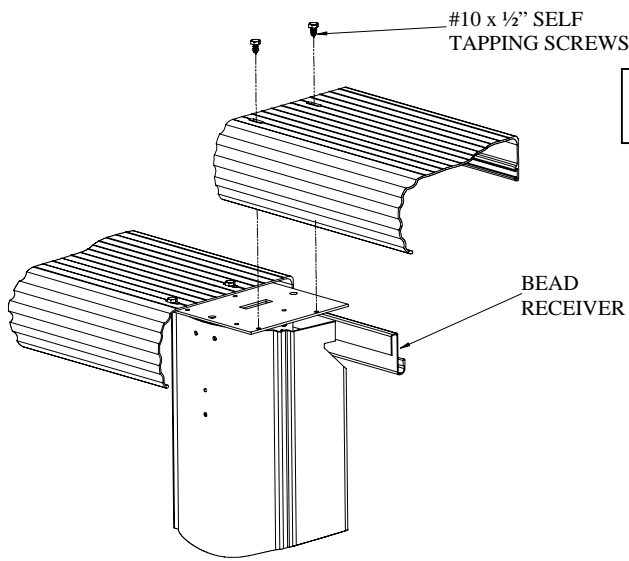


FIGURE 26
C000021

Step 24: Fill the pool until the water level is 3 inches below the return hole.

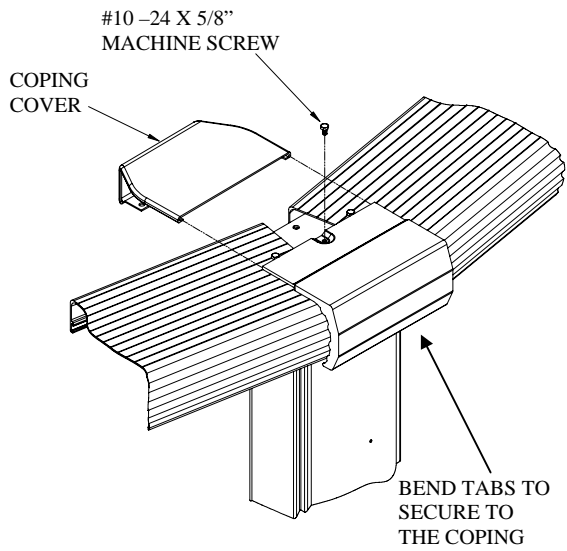
Step 25: Follow the instructions for the filtration system, skimmer and return that are supplied with the filter. See Figure 29 for additional assistance.

DANGER: When a filter or any other electrical device is added to this pool, it is the responsibility of the purchaser to take all necessary precautions as set forth in article 680 of the National Electrical Code and local electrical codes. Failure to comply with this requirement may result in a dangerous or hazardous electrical condition which may cause bodily injury or death.

Step 26: Attach the remaining safety warning signs as described and shown in Figure 30. If installing a fence or deck refer to those manuals for proper placement of safety information.

Step 27: Fill the pool up to the center of the skimmer, make sure that all fasteners are tightened properly and your pool is correctly assembled. Upon completion of the pool it is important to backfill the pool wall to prevent the sand from washing out from underneath and water from accumulating around the pool which can cause settling or deterioration. Backfill should be sand or clean well draining soil. Do not use mulch or materials which retain moisture, or limestone or materials which are corrosive. The backfill should be three to four inches up the wall, be sure to cover the bottom beams, and slope away to provide runoff. Please read the "Sensible Way to Enjoy Your Pool" booklet and enjoy years of swimming and relaxation.

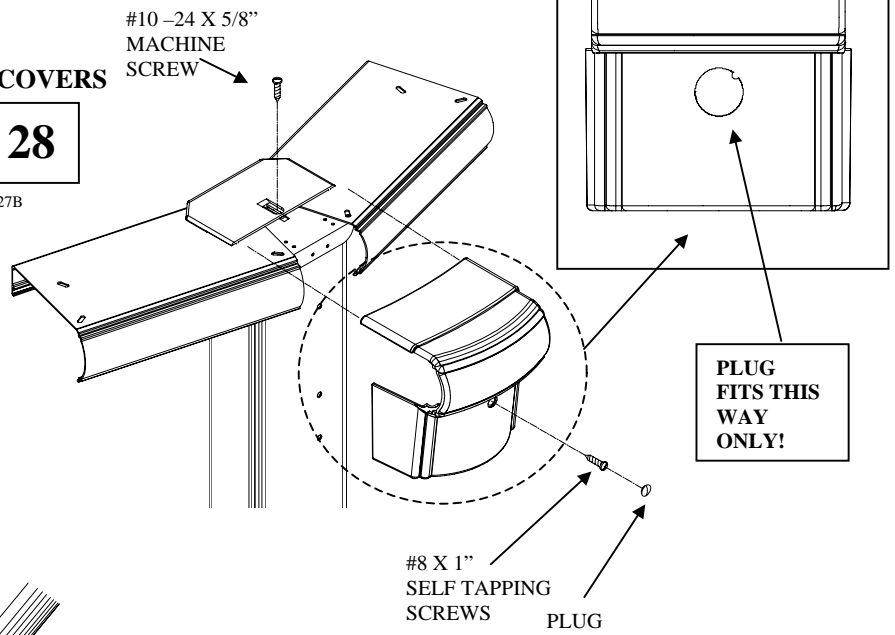
COPING COVER ATTACHMENT FOR ALUMINUM POOLS



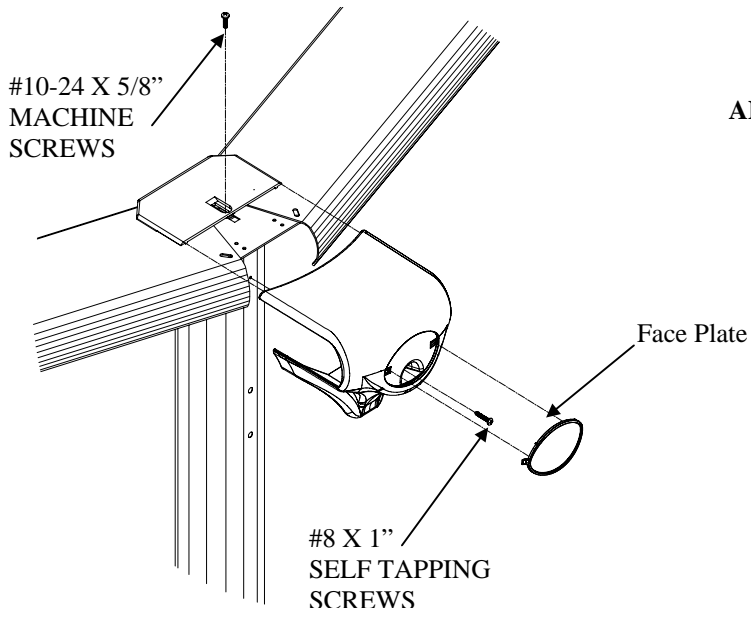
ALUMINUM POOLS WITH ALUMINUM COVERS

FIGURE 28

A00027A A00028C, A00027B



ALUMINUM POOLS WITH RESIN COVERS



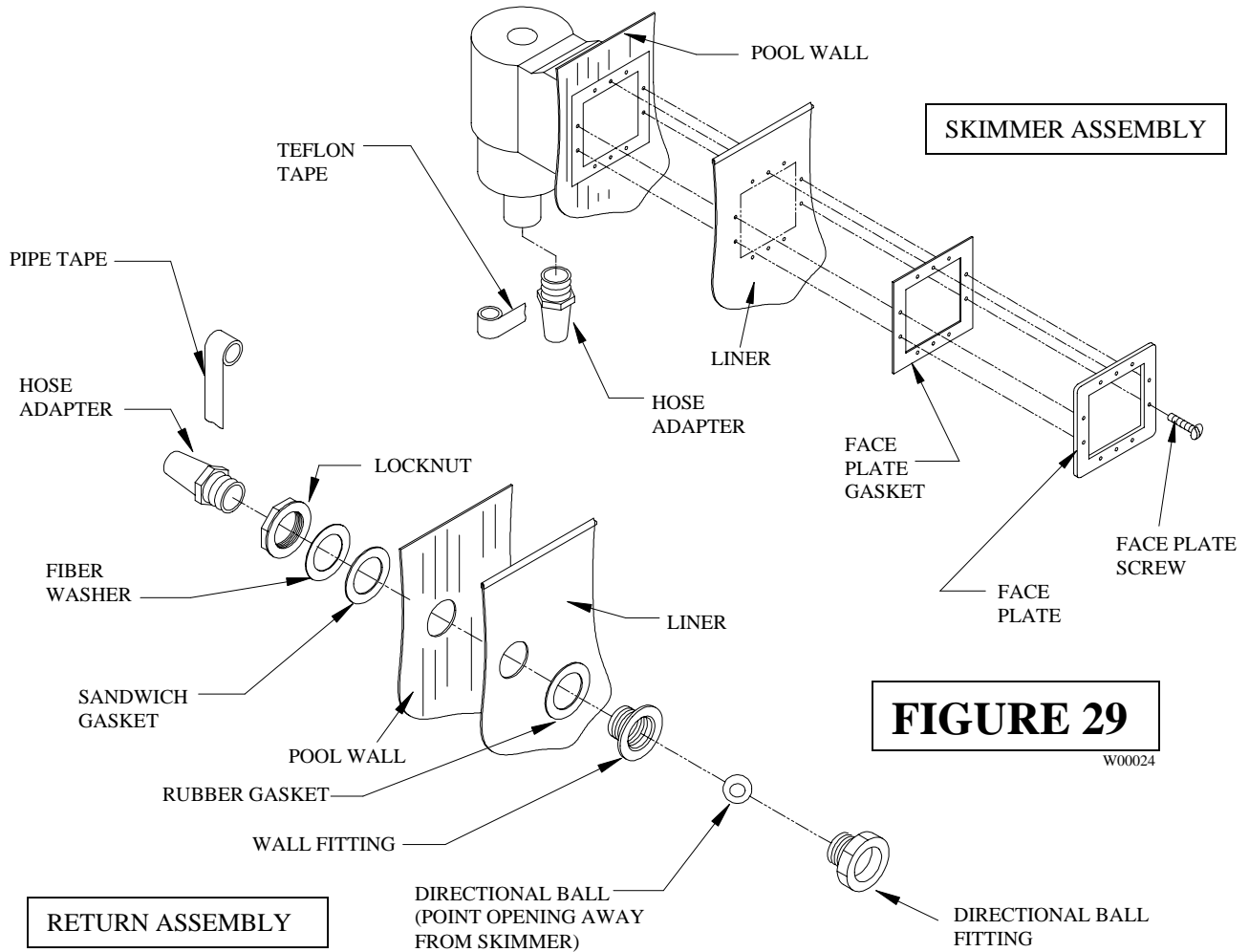


FIGURE 29
W00024

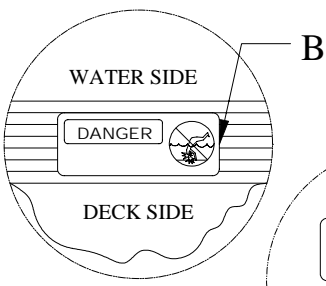
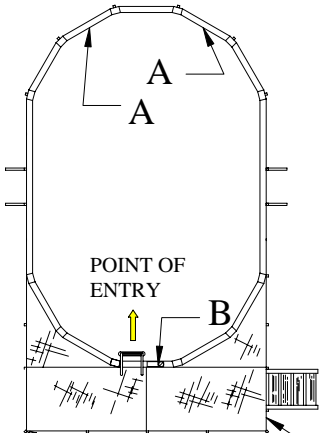
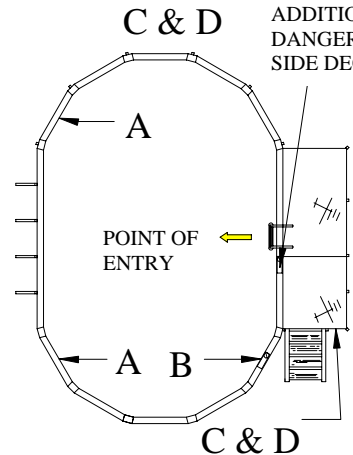
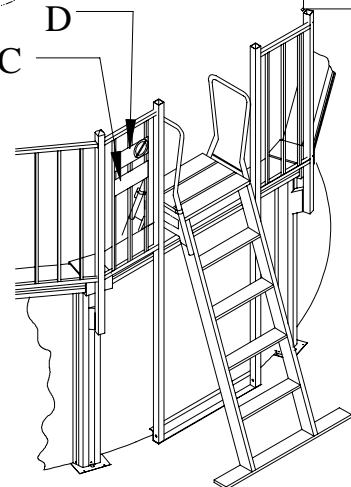
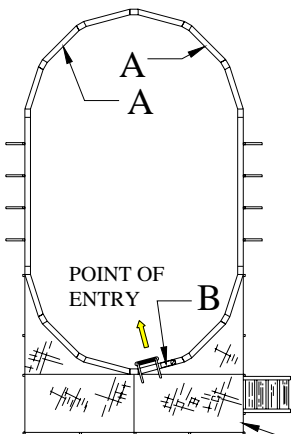


FIGURE 30
SA00003B SA00004 SA00005



WARNING: After completion of the pool, the pool must never be drained to less than 1/2 full. Damage to the structure and/or liner may result.

Note: Refer to Page 2, Warning section for Label Letter Designations.



ADDITIONAL DANGER SIGN (SEE SIDE DECK MANUAL)