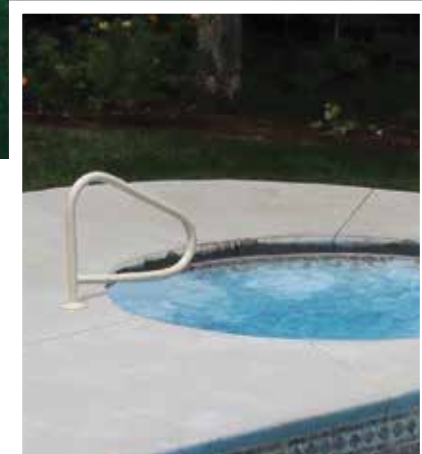
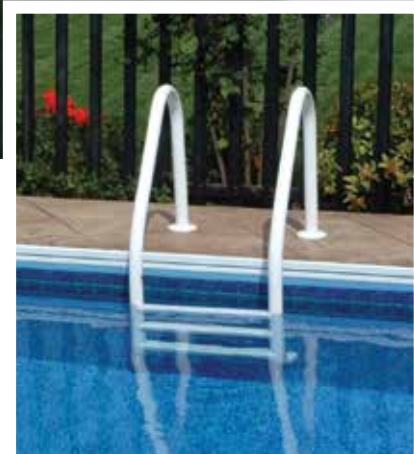


SÄFTRON Pool and Spa

Vinyl Encapsulated Rails and Ladders



SÄFTRON



Say "Goodbye" to Rust Forever!

No Bonding/Grounding Required! Recommended For Salt Water Pools!

SAFTRON

Features and Benefits

Not All Rails Are Created Equally!

Advantages:

- Grounding / Bonding Not Required
- Industry Standard Designs and Sizes
- Superior Rigidity, Strength and Durability
- Best Choice for Salt-Chlorinated Pools
- Does Not Get Hot
- No Rusting, Scaling, Pitting or Fading
- Impervious to Pool Chemicals
- 5 Year Warranty on Pool Rails and Ladders
- 10 Year Warranty on Pool Fencing and Railing
- Smooth, Glossy, Easy to Clean Surface
- Low Maintenance
- Easy Installation

Installation Options for Pool and Spa Rails, Handrails, Deck Rails Dock Ladders



**Non-corroding
Anchor Socket**



**6" Surface
Mounting Base**

Comes in 6 Standard Colors



White

Beige

Taupe

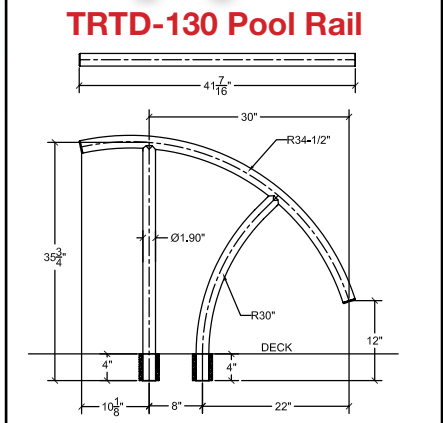
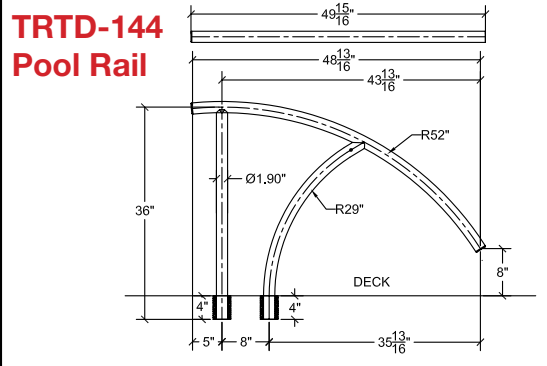
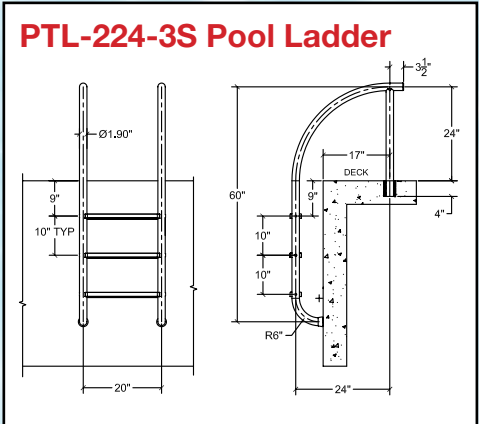
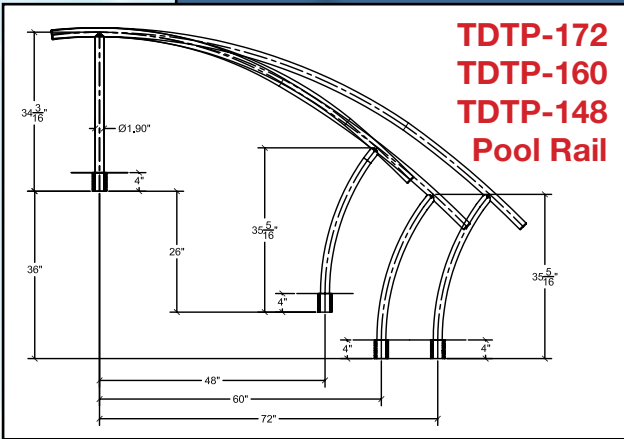
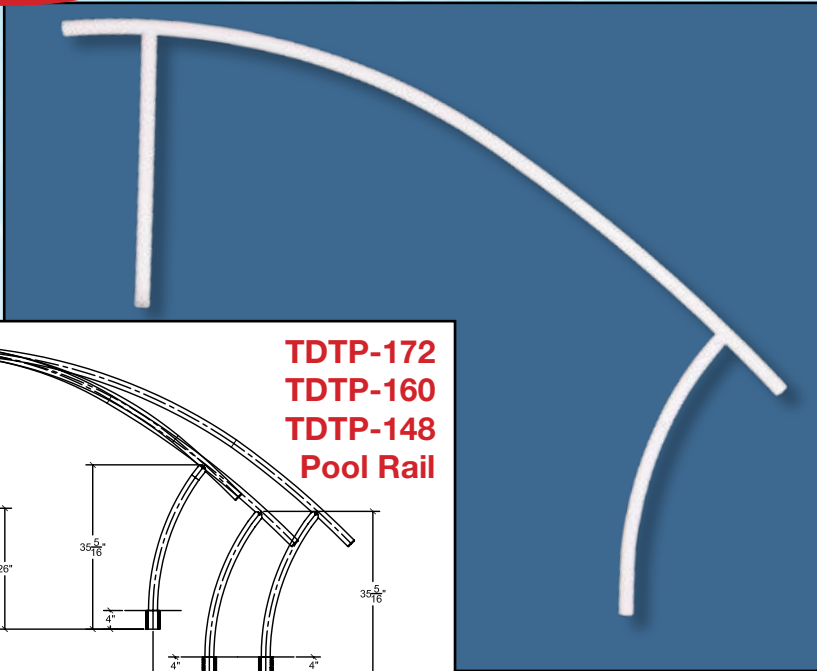
Gray

Graphite
Gray

Black

SAFTRON Introducing

New Triton Pool Rail Series



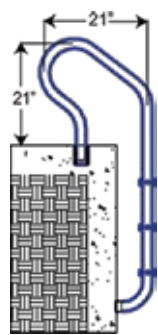
Installation Options

6" Surface Mounting Base

Non-corroding Anchor Socket

SAFTRON Pool Ladders

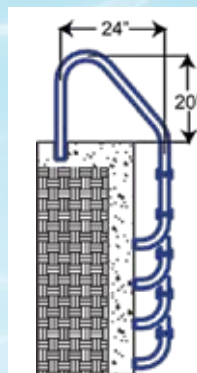
Elite Series Ladders (2, 3, 4 & 5 Step)



P-421-LP2
P-421-LP3
P-421-LP4
P-421-LP5



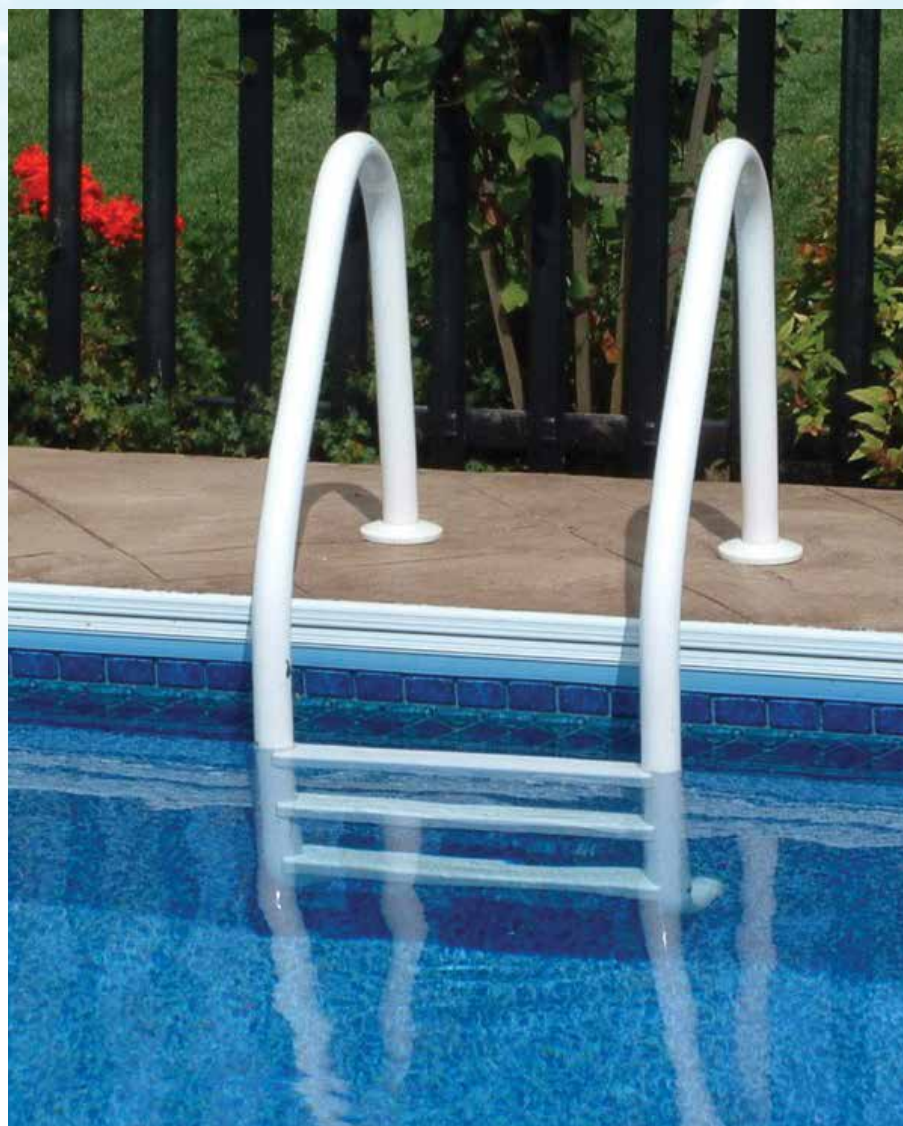
Residential Ladders (2, 3, 4 & 5 Step)



Premium Plus
PPL-324-2S
PPL-324-3S
PPL-324-4S
PPL-324-5S

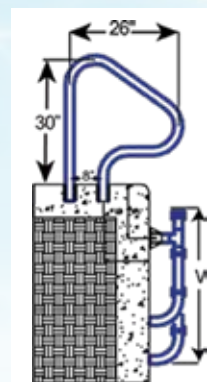
Classic
P-324-L2
P-324-L3
P-324-L4
P-324-L5

Items in red denote fully reinforced pool rails



Split Ladders (3 & 4 Step)

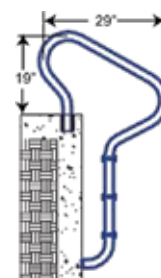
P-326-SL3 / P-326-SL4



Recommended for
automatic pool covers

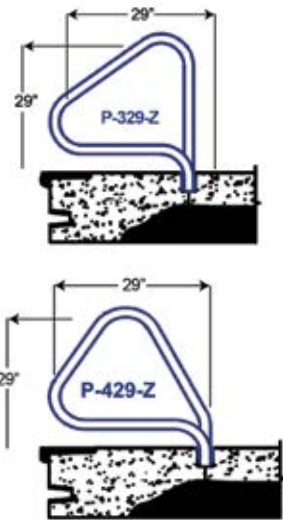
Camelback Ladders (3 Step)

P-529-L3

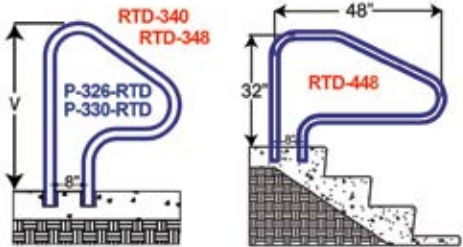




Pretzel Rails (3 & 4 Bend) Sold in Pairs



Return-to-Deck Handrails (3 & 4 Bend)



Items in red denote fully reinforced pool rails

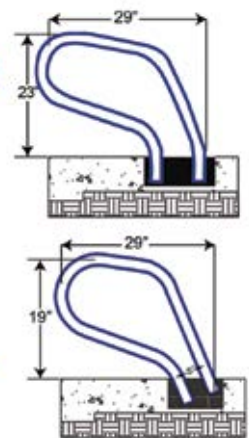


Ring Rails

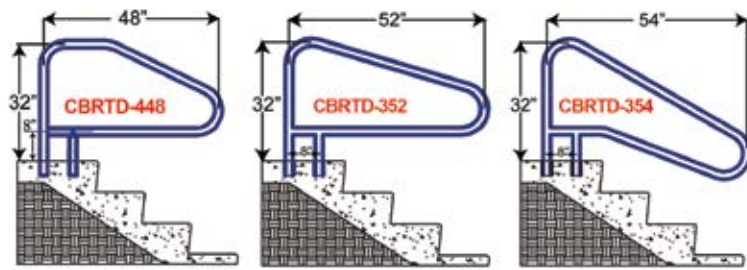
P-329AS-RTD



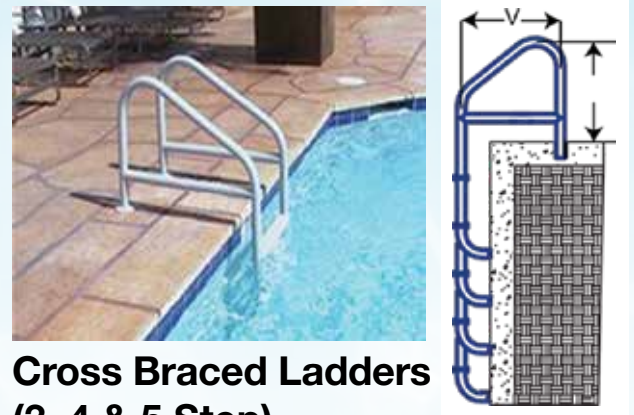
P-329



Cross Braced Return-to-Deck Rails (3, & 4 Bend)

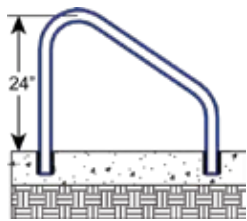


Items in red denote fully reinforced pool rails



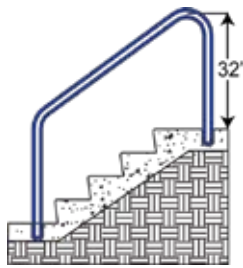
Cross Braced Ladders (3, 4 & 5 Step)

Deck Mounted Handrails

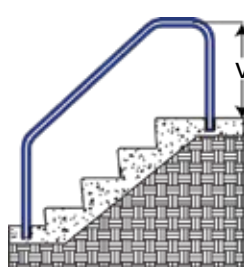


DR-230
DR-232
DR-236
DR-240

Deck-to-Pool Handrails (2 & 3 Bend)



DTP-248
DTP-260



DTP-348
DTP-360
DTP-366
DTP-372

Items in red denote fully reinforced pool rails



CBL-324-3S
CBL-324-4S
CBL-324-5S
CBL-330-3S
CBL-330-4S
CBL-330-5S
CBL-336-3S
CBL-336-4S
CBL-336-5S

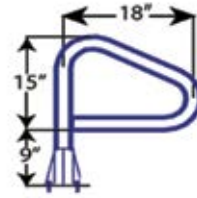
Items in red denote fully reinforced pool rails

SAFTRON Spa Rails



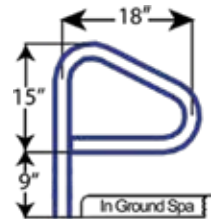
Spa Floor Rails

SF-24-LT



- Includes Lift and Turn Base

SF-24

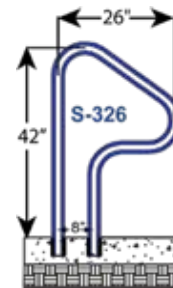


For Core and Anchor Socket Mounting



Double Post Spa Rail

S-326



SAFTRON

Dock Ladders

Perfect for Marinas, Personal Docks/Piers



Made from the same high-impact polymer as our pool rails!

Comes with a 5 year warranty and will not get hot in the sun, fade, pit or corrode.

Reinforced with Marine grade aluminum for strength and durability!!



Surface base 6"
Top Mount
(Included in purchase)
Non-corroding composite
NO GROUNDING!!!
When installed with
SAFTRON Pool Rails



DL-212-5S

Safety Railing

White

Gray

Black

Beige

Taupe

Graphite Gray

Saftron has been making high-impact metal reinforced polymer safety railing for over 30 years for Hotels and Resorts, Theme Parks, Aquatic Centers, Marina's and Industrial Applications.

Comes with a 10 year warranty and will not corrode, rust, pit, or fade!



SAFTRON Pool Fencing and Gates



Fencing Sections and Gates

FS-2200



FG-2200



Gates come with
Magna latches

FS-2400



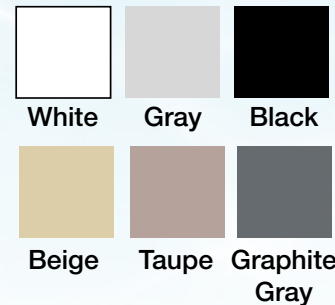
FG-2400



Advantages

- Easy Installation using Plate Mount or Core Mount
- No Rusting, Pitting or Scaling
- No Bonding/Grounding Required with Core Mount Application Only
- Will Not Fade, Chip or Corrode
- Cool to the Touch
- Smooth, Glossy, Easy to Clean Surface
- Low Maintenance
- 10 Year Warranty

Six Standard Colors



Installation Options



Plate
Mount

Core
Mount



SAFTRON

Hardware & Accessories



**3" Mounting Base
For Ladders Only**
SB-3 (single & case qty)



Escutcheons (Pair)
ESC (single & case qty)



Anchor Socket Covers (Pair)
ASC (single & case qty)



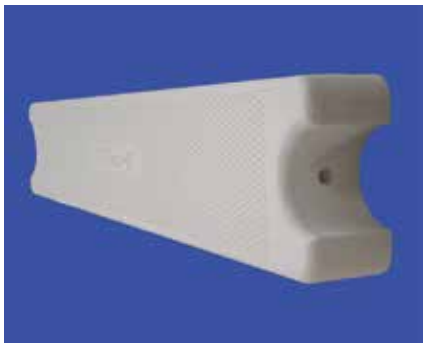
**3 Step Ladder
Refurbishing Kit**
P-3SLR-KIT



**6" Surface Mounting Base
For Ladders and Handrails**
SB-F (case qty)



**Non-corroding
Anchor Socket**
ANCH-1 (single & case qty)
Comes in white only



**Single Ladder Step
(Hardware Separate)**
P-LS-20 (single & case qty)
Comes in all 6 colors



**Marine Grade Ladder
Step Hardware**
P-LS-Hdwr (single & case qty)

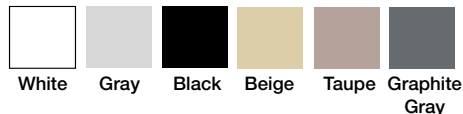


Ladder Bumpers (Pair)
P-BP19 (single & case qty)
Comes in white only



**Jigs for Ladders &
Return-to-Deck Rails**
P-JIG-L / P-JIG-RTD
Includes Bubble Level
Comes in white only

Available in 6 Colors





Volleyball Kits / Replacement Posts and Nets

Volleyball Kits Include Posts, Net, Mounting & Hardware

PA-VB-KIT-SM

Kit Mounted Using 6" Surface Bases

PA-VB-KIT-AM

Kit Mounted Using Anchor Sockets

Replacement Posts Include Posts, Mounting & Hardware

PA-VBP-SM

Posts Mounted Using 6" Surface Bases

PA-VBP-AM

Posts Mounted Using Anchor Sockets

PA-VBN-16

16' Replacement Net Only

Items in red denote fully reinforced posts

Transfer Rails / Exercise Bars

1.67 OD Straight A.D.A. Transfer Rails

TRS-12 TRS-14

TRS-18 TRS-18

1.90 OD Safety Exercise Bars

09" Bar X-09 (Pr)

24" Bar X-24

36" Bar X-36

48" Bar X-48

60" Bar X-60

72" Bar X-72



5 Arm Wall-Mounted Towel Rack

Includes Mounting Hardware

PA-MTR-5



SAFTRON

Aquatic Center & Water Parks



Designed using the same high impact polymer exterior and reinforced interior.

Applications include:

Water Parks

Theme Parks

Marinas

Stadiums

Hotels and Resorts

Equipment Rooms

Pool and Deck Railing Available in Matching Colors

Custom Colors Available

