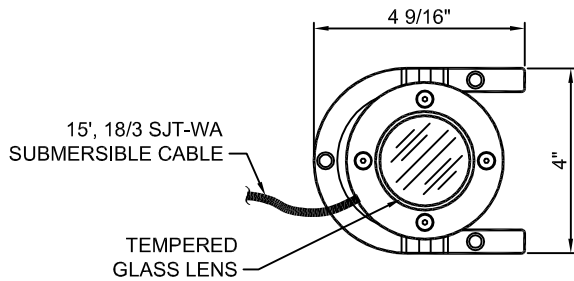


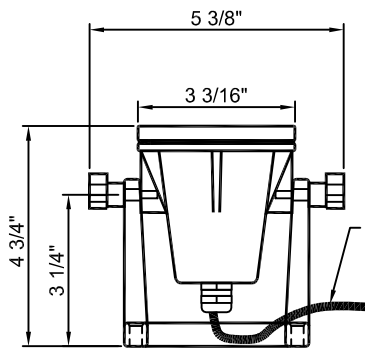


RFL-33-LED, COMPACT, 12V. FREE-STANDING WET/DRY/SUBMERSIBLE WHITE LED LIGHT FIXTURE

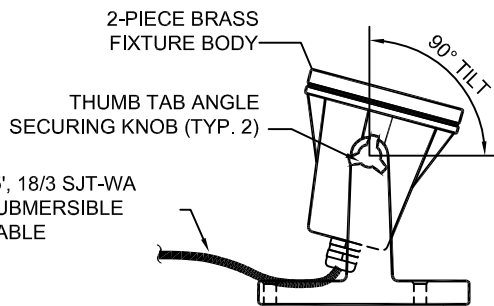
(800) 794-1801



PLAN VIEW



FRONT VIEW



SIDE VIEW



LAMP IS 12 VAC, WHITE LED STYLE

LED

NOTE: LAMP IS FURNISHED WITH THIS FIXTURE

15' CORD LENGTH IS STANDARD

NOTE: TRANSFORMER REQUIRED; CONSULT FACTORY.

NOTE: NOT TO BE USED IN SWIMMING POOL OR SPA APPLICATIONS.

SPECIFICATION DATA: RFL-33-B-LED, Compact, free-standing low voltage underwater light fixture and "horseshoe" base of cast brass construction with 5.5 watt, 12 volt, LED lamp, tempered glass lens, black plastic angle adjustment knobs, high-temp O-ring seal, 15 ft. 18/3 SJT-WA type submersible cable.

DESIGN/APPLICATION DATA: Roman Fountains RFL-33-B-LED, submersible light fixtures are designed for use in fountain or reflecting pools where a compact fixture is required. Their compact design allows use in a variety of wet/dry/submersible applications.

NOTES:

1. Lamp life and lumens published by lamp manufacturer; not guaranteed by Roman Fountains.
2. A submersible junction box and potting compound may be required for installation; consult factory.
3. External shroud available; consult factory.
4. Additional cable lengths, in 10' increments up to 50' max., available; consult factory.
5. Color lenses available; consult factory (blue, green, amber)
6. Due to our continuing product improvement, Roman Fountains reserves the right to change the specifications without notice.

DRAWING NO. 5.6f