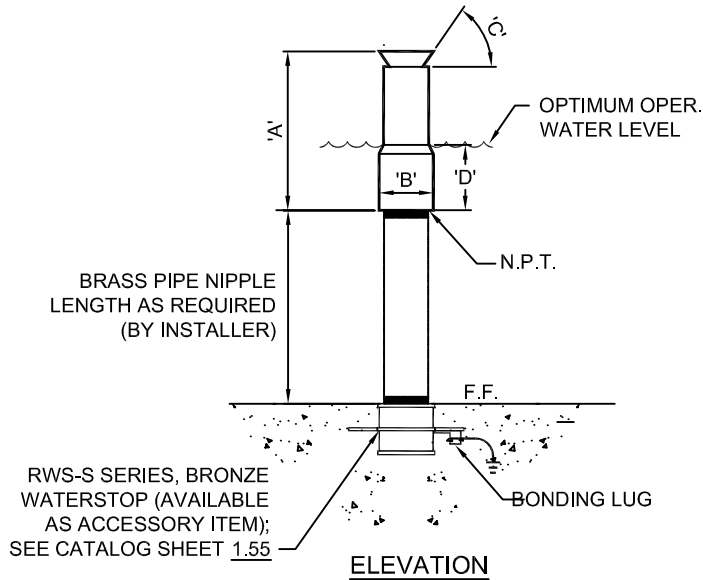
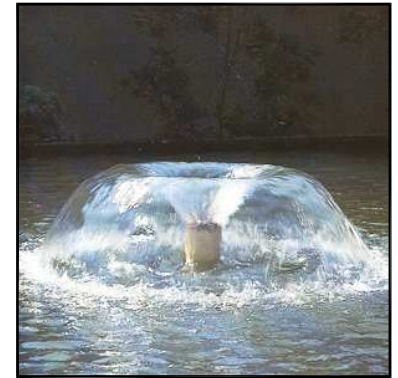


RMN-SERIES, MUSHROOM NOZZLE



3D IMAGE

OPERATING DATA:

NOISE: _____ Low
 VISIBILITY: _____ Low
 SPLASH/MIST: _____ Low
 WIND STABILITY: _____ Low
 AERATION QUALITY: _____ Low

SPECIFICATION DATA: Mushroom Nozzle; machined brass and cast bronze construction. Fully adjustable 35 ° deflector cone with lock nut and N.P.T. connection. (Optional alignment swivel available as accessory item; see catalog sheet 1.51).

DESIGN/APPLICATION DATA: RMN Series mushroom nozzle produces a clear circular sheet of water. The adjustable deflector cone permits a full range of patterns from full unbroken sheets, to half broken sheets.

- NOTES:**
- "Full sheet" display requires 2' head pressure; "half sheet" requires 4' head pressure.
 - Fine screening at pump, half the diameter of jet orifice or smaller opening, to minimize nozzle clogging is recommended.
 - Higher cone adjustment produces fuller sheet/less diameter, and lower cone adjustment produces thinner sheet/more diameter.
 - Due to continuing product improvement program, Roman Fountains reserves the right to change the specifications without notice.

TECHNICAL AND HYDRAULIC DATA												
DIMENSIONS						PERFORMANCE						
MODEL NO.	N.P.T.	'A'	'B'	'C' CONE ANGLE	'D'	SPRAY DIAMETER	12"	18"	24"	36"	48"	60"
RMN-150-35	1-1/2" (F)	7-1/2"	2-1/4"	35°	3-1/8"	GPM	14	17				
						SPRAY HGT.	9"	11"				
RMN-200-35	2" (F)	8-3/4"	2-3/4"	35°	3-3/4"	GPM			36	43	44	51
						SPRAY HGT.			15"	17"	21"	26"

DRAWING NO.
1.12