

RAIN MASTER® EAGLE™



**6, 12, 18, 24, 30 & 36 STATIONS,
OUTDOOR/INDOOR**

KEY FEATURES & BENEFITS

AUTOMATIC ET SCHEDULE ADJUSTMENT

The ability to use any of four different ET sources as the basis for ET calculations

CYCLE-AND-SOAK OR CONVENTIONAL START TIMES

Four independently controlled programs with 5 selectable start times for a total of 20 possible cycles per day or Cycle-and-Soak with unlimited start times

FLOW SENSING

Monitors system flow and responds to upper, lower, unscheduled and no-flow conditions. Flow events can be reported though iCentral

VALVE WIRING FAULTS DETECTED

Automatic field wire detection enables the controller to sense a short in the field wire and instantly turn off that station

OPTIONAL INTERNET CONTROL

Wireless cellular communication. Faster "real time" internet access to iCentral. No software to purchase, optional weather station and minimal to no training

SWAT & EPA WATERSENSE® APPROVED

2-WIRE MODEL AVAILABLE

The Rain Master® Eagle™ controller combines classic controller programming with cutting edge features, including optional internet iCentral™ control. Connection to the internet is as easy as adding the optional iCentral communication kit that provides access to all the iCentral control features, such as: Automatic Scheduling, Intelli-Sync™, ZipET™, Smart Alerts™, and remote rain shutdown. Optimized for simplicity, the Eagle is ideal for use by ground maintenance personnel and landscape managers that require a fully-automated, "Smart" ET weather-based irrigation controller.



NOTABLE FEATURES

Water Saving Features

- Evapotranspiration (ET) based scheduling
- Flow sensing and control
- Percentage adjustment on a per program basis (1%-300%, in 1% increments) to allow an increase or decrease of all station runtimes within that program
- Programmable rain shut off in order to delay the start of irrigation after a rain storm
- Manual rain switch (automatic watering – no watering)
- Connectivity for any one of the following; rain, moisture or freeze sensor device
- Selectable cycle-and-soak or conventional start times on a per-program basis

EVAPOTRANSPIRATION (ET) FEATURES OF THE RAIN MASTER® EAGLE™

- *iCentral*™ compatible
- The ability to input and store Historical ET data on a monthly basis (12 months)
- The ability to use any one of four different ET sources as the basis for its ET calculations:
 1. Historical ET data
 2. Manually-entered ET data
 3. Rain Master ET measurement device (RM-WETHER-ETRS)
 4. Downloaded ET data from the Internet (requires optional Rain Master® *iCentral*™ hardware)
- The ability to automatically re-compute station runtime, utilizing the current ET information
- Ability to display the current adjusted runtime as a percent of the base runtime for all ET-enabled programs

SPECIFYING INFORMATION

MODEL	# OF STATIONS	OPTIONAL ENCLOSURE & SURGE PROTECTION
RME	6 12 18 24 30 36	NONE =Small painted wall mount T=Large painted wall mount with surge protection ST=Large stainless wall mount with surge protection SPED-T=Stainless steel large enclosure pedestal with surge protection

Example: A 24-station Rain Master® Eagle™ in a large stainless wall mount enclosure and surge protection with *iCentral* option = **RME24EG-ST and EG-iCENTRAL**

* NOTE: all EG-*iCentral* cards come standard with LP cellular antenna.

OPTIONAL ACCESSORIES

Model	Description
EGP-iCENTRAL	Cellular communication kit with 12-months of <i>iCentral</i> service
RM-ISVC-5Y	Additional 60-months of <i>iCentral</i> service (Cellular)
PMRKIT	Permanent mount receiver kit for use with ProMax™ remote



ELECTRICAL SPECIFICATIONS

- Input power required: 105-130 V AC, 50/60 Hz, .5 amp maximum, 1 amp idle
- Output power required: 24 V AC 1.5 amps maximum total output or (36 VA) 1 amp per station or master valve
- UL, CUL, and FCC approved

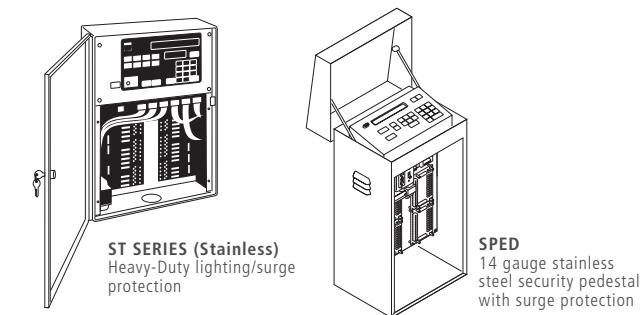
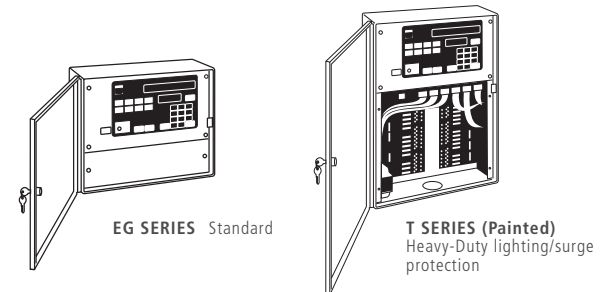
DIMENSIONS

- **EG model:** H: 10", W: 13", D: 4½"
- **T & ST model:** H: 17½", W: 13", D: 4½"
- **SPED model:** H: 35", W: 16", D: 14"

OPERATING SPECIFICATIONS

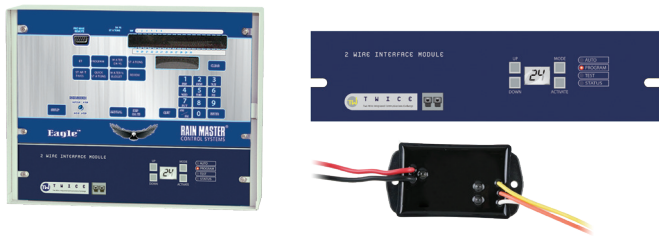
- **Operational Temp:** 14° F to 140° F (-10° C to 60° C)
- **Storage Temp:** -22° F to 149° F (-30° C to 65° C)

COMMERCIAL-GRADE LOCKABLE PAINTED & STAINLESS STEEL ENCLOSURES



RAIN MASTER® EAGLE™ TWICE 2-WIRE

Unlike other two-wire systems, the Rain Master® 2-wire protocol provides a two-way communication link between the controller, decoders and valves. This provides the means for testing and diagnostic capabilities within the 2-wire system. The simplicity of the 2-wire field installation, coupled with the enhanced capability of the Rain Master Twice controllers, sets a new precedent for 2-wire control within the irrigation industry.



MODULES

- Easy-to-read LED status indication for every command
- LED also displays valve activation and diagnostic reporting
- Troubleshooting capabilities:
 - LED decoder "active" indication
 - LED valve power "on" indication
 - Two-way communication verification

DECODERS

- Each decoder has a unique address (programmable at the interface module)
- Decoders will automatically shut off if communication is lost
- Wire fault detection automatically shuts down any valve
- Valves can be operated up to 100' radius of the decoder

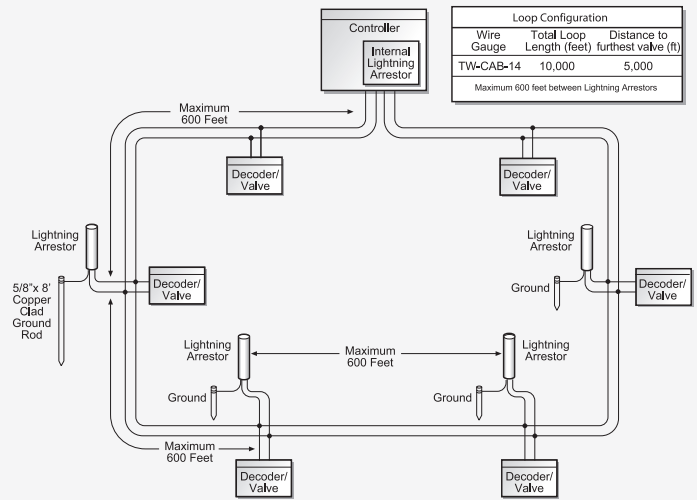
MODELS

Model	Description
TW-EG36	Eagle in painted wall mount
TW-EG36-SB	Eagle in stainless steel expanded wall mount
TW-EG36-SPED	Eagle in stainless steel pedestal

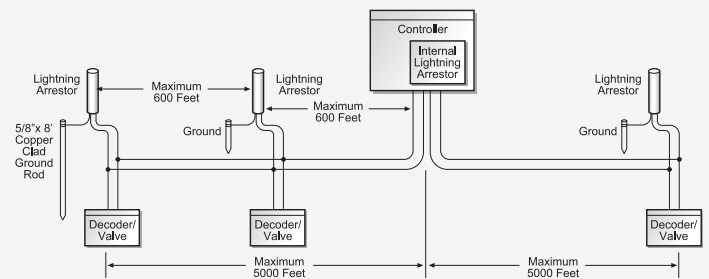
2-WIRE DECODERS AND ACCESSORIES

Model	Description
TW-D-1	Single valve AC decoder
TW-D-2	Dual valve AC decoder
TW-D-4	Quad valve AC decoder
TW-LA-1	Lightning arrester (every 600 feet)
TW-SPLICE-14	14-gauge water-tight connectors
TW-CAB-14	14-gauge (red/black) Polycoated (blue) wire

LOOP CONFIGURATION

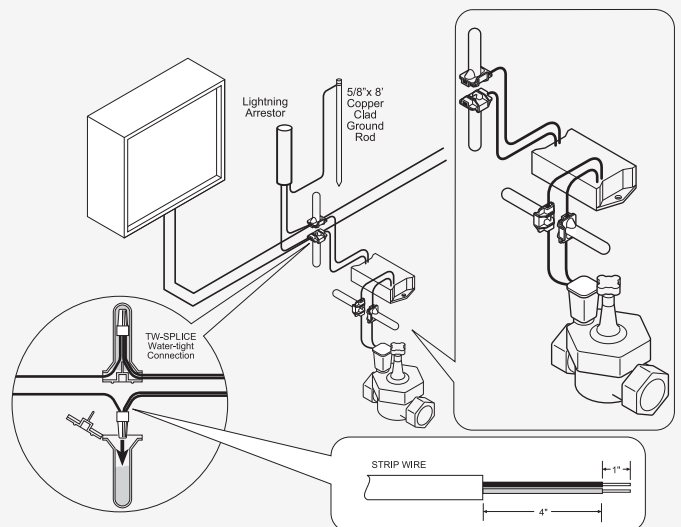


STRAIGHT LINE CONFIGURATION



Straight Line Configuration	
Wire Gauge	Total Wire Length (feet)
TW-CAB-14	5,000
Maximum 600 feet between Lightning Arrestors	

WIRE CONNECTION DETAIL



RAIN MASTER® *iCENTRAL*™

The patented Rain Master *iCentral* is the first, most comprehensive and affordable web based water management system. It allows wireless central control for one or more Rain Master Eagle™ and Eagle™ Plus irrigation "field" controllers. The *iCentral* website utilizes reliable 2-way wireless communication from the internet to interface with each field controller and provides alert notifications for a variety of system conditions. An entire irrigation system, no matter how large, can be managed through *iCentral*.



NOTABLE FEATURES

- Automatic Irrigation Scheduler (AIS) determines the optimal irrigation schedule based on seasonal, site-specific parameters: irrigation efficiency, soil texture, plant type, slope, precipitation, etc.
- Intelli-Sync™ - Intelligent synchronization monitors changes made at the controller and allows the *iCentral* operator to accept or reject the entry.
- *ZipET*™ Just enter the local zip code once, and local weather information is automatically sent to each controller every day.
- Full mobile compatibility with smart phones and tablets.
- Smart Alerts™ are sent by *iCentral* for all field alarms generated when a "fault" occurs; text messages are sent to cell phone and/or email address.
- Automatic initiation of "rain shutdown" to all controllers if *iCentral* determines that precipitation in a designated area necessitates a shutdown.
- Automatically modifies irrigation schedules based upon daily ET, as well as plant watering requirements.
- Variety of reports are available to show online and field activity, permitting detailed analysis of your system's efficiency.

ANNUAL WATER SAVINGS*



*Depicted annual water savings only. Individual site water savings may vary depending on programming and operational characteristics, as well as site conditions.

We reserve the right to improve our products and make changes in the specifications and designs without notice and without incurring obligation. Products depicted in this brochure are for demonstration purposes only. Actual products offered for sale may vary in design and features.