

CROSS™

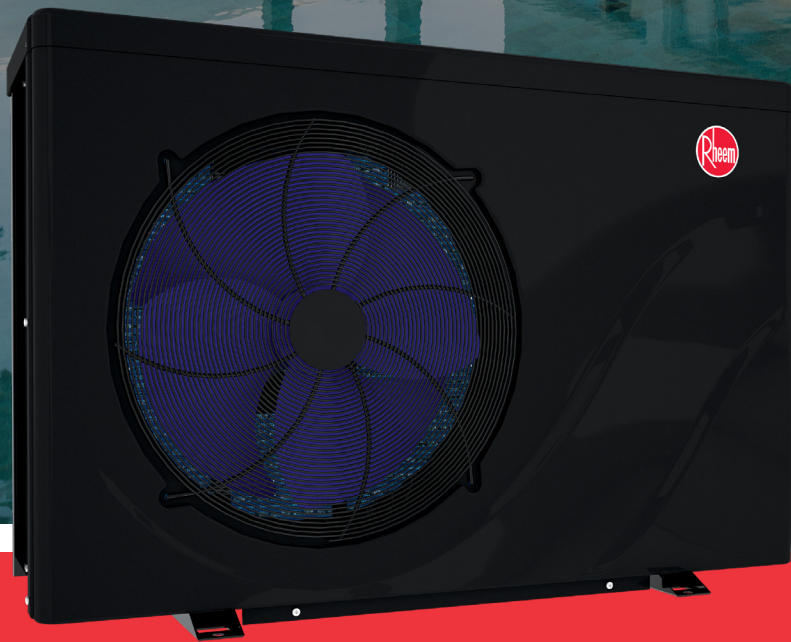
WIND

POOL AND SPA HEATER

WHISPER
QUIET

ENERGY
EFFICIENT

FEATURING
INVERTER
TECHNOLOGY



PRECISION HEATING

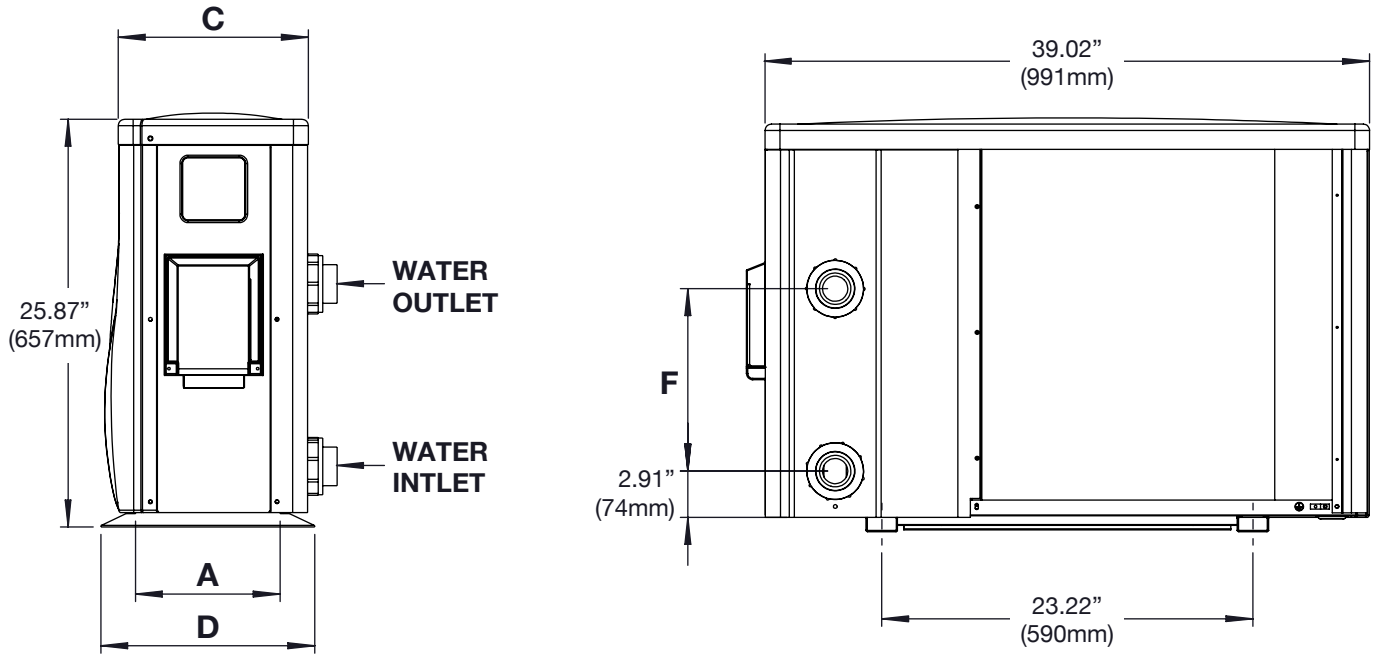
Enjoy the perfect temperature with ease.

The Crosswind pool and spa heater is designed with intelligence, whisper quiet operation and energy efficiency. Crosswind's inverter technology automatically adjusts and controls your pool temperature, to save energy and money. With its whisper quiet operation, you will forget it's there. The compact size makes installation a breeze.





Crosswind Pool and Spa Heater Models 30-I – 65-I



All water connections are 1-1/2" PVC unions.

Model	BTUH / C.O.P. (80,80,80*)	BTUH / C.O.P. (80,63,80*)	BTUH / C.O.P. (50,63,80*)	Electrical Input (kW)	Water Flow gpm (LPM)	Minimum Circuit (Amps)	Maximum Breaker Size (Amps)	Dimensions In. (mm)				Ship Weight lbs. (kg)
								A	C	D	F	
30-I	27,850 / 5.8	26,850 / 5.6	16,590 / 4.0	1.15	13.2-17.7 (50-67)	12	15	12.40 (315)	12.28 (312)	13.39 (340)	11.42 (290)	121 (55)
40-I	33,500 / 5.6	31,700 / 5.5	17,750 / 4.0	1.26	17.7-26.4 (67-100)	12	15	12.40 (315)	12.28 (312)	13.39 (340)	11.42 (290)	124 (56)
50-I	44,750 / 6.1	42,500 / 5.8	21,000 / 4.2	1.28	21.9-30.6 (83-116)	16	20	12.40 (315)	12.28 (312)	13.39 (340)	12.99 (330)	132 (60)
65-I	61,000 / 5.7	57,650 / 5.3	24,500 / 4.1	1.55	28.5-37.5 (108-142)	20	25	15.55 (395)	15.35 (390)	16.54 (420)	14.17 (360)	157 (71)

All models 208-230VAC, 1-Ph, 60 Hz. All models use R-410A refrigerant. All models heat/cool.
*Tested to AHRI 1160.



www.rheem.com

2151 Eastman Avenue | Oxnard, CA 93030 | 805-278-5300

Litho in U.S.A. ©2020 Rheem MKG-15-1521A Effective 05-01-20 Replaces 04-01-20