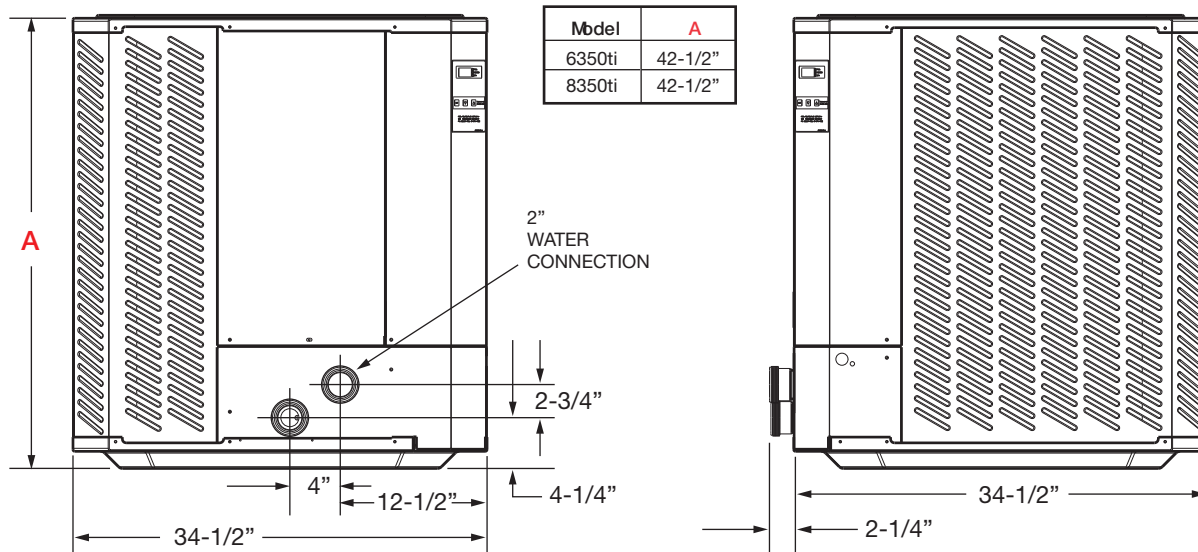


Technical Data

Classic Series Heat Pump Pool Heaters

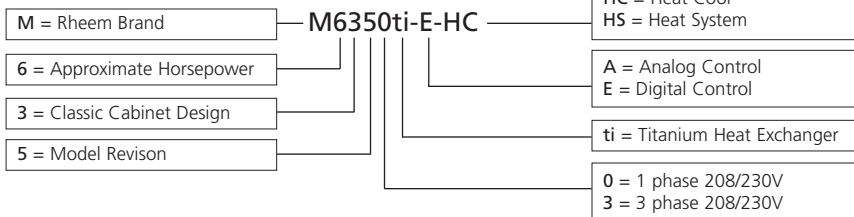
Specialty Models



MODEL	M6350ti-E-PD	M6350ti-E-HC	M8350ti-E-HC
Heat BTUH Output (80,80,80)*/AHRI 1160 (80,63,80)**	117,000/113,000	110,000/104,000	130,000/125,000
C.O.P.	6.2/6.0	6.0/5.7	5.5/5.2
Compressor	Scroll	Scroll	Scroll
Refrigerant	R-410A	R-410A	R-410A
Voltage	208/230V-1Ph-60Hz	208/230V-1Ph-60Hz	208/230V-1Ph-60Hz
Minimum Circuit Ampacity	42	42	42
Maximum Breaker Size (Amps)	60	60	60
Electrical Input (kw)	5.5	5.3	7.0
Heat Exchanger	Titanium	Titanium	Titanium
Water Flow (gpm)	15-60	15-60	15-60
Shipping Weight (lbs.)	310	319	387

*Tested outside the scope of AHRI 1160 **Tested to AHRI 1160 All models comply with Florida 4.0 minimum C.O.P. requirement.

Model Designation



Swimming Pool and Spa Heating Products

Technical Data

Classic Series Heat Pump Pool Heaters

Classic Model Standard Features

Cabinet

- **Exclusive DuraSteel™ Powder-Coated Cabinet**
Polyester powder-coated, non-corrosive cabinet is more durable than plastic heat pump cabinets. Same rugged steel construction used by all the major air conditioner manufacturers.

Evaporator Coil

- **Large Air Coils**
Raised lanced-fin design maximizes heating at lower temperatures. Rheem engineered coils are highly optimized to meet our specific design requirements. From the proper fins per inch to advanced distribution circuiting. We are the only heat pump pool heater company to actually manufacture our own coils.
- **Venturi Fan Cowling**
High-capacity 3000-cfm fan provides unrestricted air flow for better heating. Precision engineered and manufactured cabinet design eliminates unwanted air gaps. This means more air over the coil which translates to greater efficiency.

Compressor

- **Scroll Compressor**
Scroll compressors are quiet and efficient compared to piston type compressors. They provide higher efficiency, lower sound levels, superior durability and unsurpassed reliability. The unique design of a scroll compressor actually wears in over time, not out!
- **Sound Isolation Pads**
Prevents sound transfer to equipment pad and elevates the base pan to improve water drainage. Its the little details like this that make Rheem products stand out from the crowd.

Heat Exchanger

- **Spiral Titanium Tube**
Our spiral titanium tube heat exchanger provides a corrosion-free waterway that can withstand the abuses of harsh pool chemistry. The spiral tube helps reduce deposit build-up and increases efficiency by performing a “scoop-and-lift” action.
- **Internal Bypass Valving**
Automatically compensates for normal day-to-day changes in your pool's hydraulics, maximizing heat transfer efficiency.
- **Plumbing Connections**
Off-set 2” PVC union connections are included for ease of installation.

Controls - Digital

- **Pool/Spa Control**
Your digital heat pump pool heater can be set to have a different target temperature for your pool and spa. This allows you to dial in just the right spa temperature and never have to adjust it again. The pool can be set to a lower, more energy saving temperature.
- **Remote Compatible**
The digital heat pump pool heater can be easily controlled by most two-wire and three-wire remote systems.
- **On Board Diagnostics**
Tells the homeowner if there is a problem. Provides the service technician with detailed diagnostic information.



Heat-Cool Models

Controls

- **Heat-Cool Selector Switch**
Go from heat mode to cool with a push of a button.

Refrigerant Circuit

- **Reversing Valve**
Heat-Cool units have a unique reversing valve that allows the heat pump pool heater to cool the pool water during the hot summer months.
- **Defrost**
Heat-Cool units have the unique ability to prevent ice from forming on the condensing coil. If freezing temperatures are sensed on the coil while heating, the unit can switch to the cooling mode. During the cooling mode, the refrigerant will be warmed by the pool water and send the hot gas to the evaporator coil to melt the ice. Once the coil temperature returns to a normal operating temperature, the unit resumes heating the water. This process only takes about 4 to 6 minutes to complete.

Power Defrost Models

Refrigerant Circuit

- **Hot Gas Bypass Valve**
If the condensing coil senses freezing temperatures while running, the power defrost feature will activate and allow some of the hot Freon gas to bypass the water heat exchanger and re-route it back through the condensing coil. This unique feature allows the unit to continue heating the water while it removes any ice that may have formed on the coil. This feature is a great benefit when trying to operate at lower ambient temperatures.



relax
It's Rheem®

In keeping with its policy of continuous progress and product improvement, Rheem reserves the right to make changes without notice

Swimming Pool and Spa Heating Products

MKG-15-1511RevF
02-01-13