



AVIA™

The first and only pool/spa heater with a built-in advanced Wi-Fi enabled control system!



POOL AND SPA HEATER



New, exclusive heat exchanger technology.



Now available on AVIA.

Intelligent Insight | Smarter Controls | Self-Protection Technology



HEAT SMARTER PLAY HARDER



Managing your pool heater has never been easier or smarter. AVIA is built with an innovative Wi-Fi enabled control system that allows you to manage your pool heater and one accessory through the Raymote app. No need for a separate control panel to manage your pool heater.

KEY FEATURES:



Smart Heater Control voc

Smart heater built right into the AVIA. Enables you to automate and manage your pool temperature.



Smart Scheduling voc

AVIA heats and learns the size of your pool and will let you know when your pool is ready at your set temperature.



Smart Operation Manager voc

Enables you to manage your heater, one accessory, and scheduling.



Integrated Wi-Fi voc

Provides a smart connection for real-time service alerts & control from anywhere.



ProTek Shield™

Is a cutting-edge module that protects the heat exchanger from corrosion, prolonging the life of the AVIA pool heater.



Raymote™

Temperature & Heater Control voc

Raymote Mobile App allows you on-the-go control of your pool temperature and more.



Small & Easy to Install voc

AVIA weighs under 140 pounds and has a base foot print of 2'x2' making it an ideal install on a standard equipment pad.



Installation Versatility voc

AVIA's top with control panel can be rotated on 3 sides giving you more installation options.



Serviceability

AVIA's patented straight tube heat exchanger design makes it the most serviceable in the market.



Efficiency

All AVIA models have an 84% thermal efficiency rating and are low NO_x certified.

INTELLIGENT INSIGHT

Integrated Wi-Fi

Provides a smart connection for real-time service alerts and control from anywhere.

SMARTER CONTROLS

Raymote Temperature and Heater Control

Raymote Mobile App allows you on-the-go control of your pool temperature and more.

SELF-PROTECTION TECHNOLOGY



ProTek Shield™

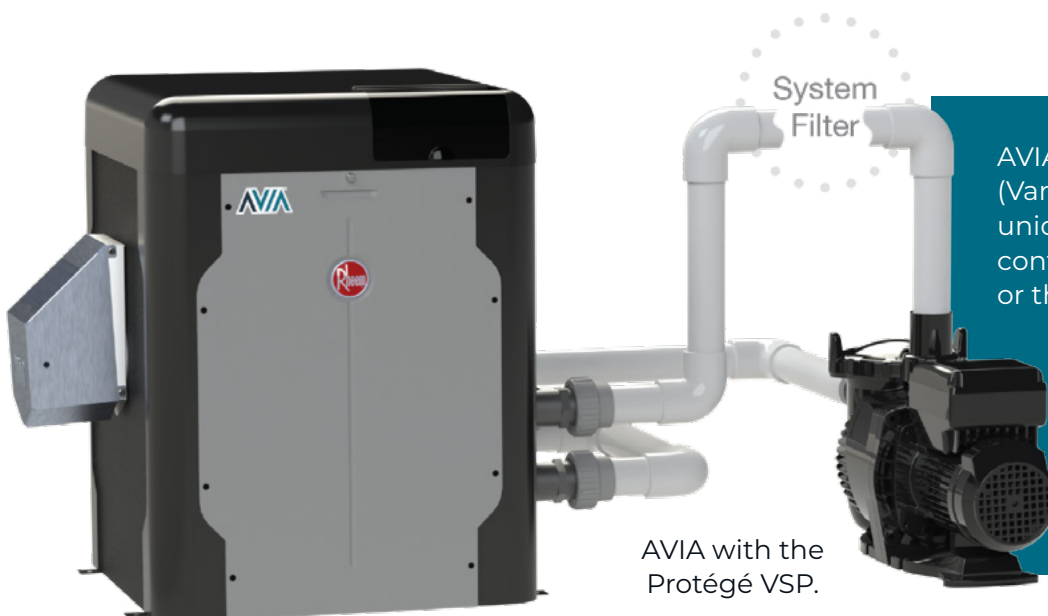
Is a cutting-edge module that protects the heat exchanger from corrosion, prolonging the life of the AVIA pool heater.



ProTek Shield module.

SMART OPERATION MANAGER

AVIA can monitor and control your pool heating experience plus one accessory. For pool owners looking to level up their pool of spa experience using Wi-Fi control, AVIA provides full pool heater control out of the box.



AVIA with the Protégé VSP.

AVIA pairs natively with Protégé VSP (Variable Speed Pump) to create a unique pool heating experience – all controlled from the onboard control, or the Raymote App.

AVIA out of the box can control one accessory,

Raypak Protégé VSP + one on/off accessory (3 Amp max).



CONTROL FROM ANYWHERE

You can also control your AVIA settings from across the street — or across town — right from your phone. Whether adjusting the pool temperature or checking on other pool functions, it's all possible through your Raymote remote Wi-Fi connection.



24/7 Access

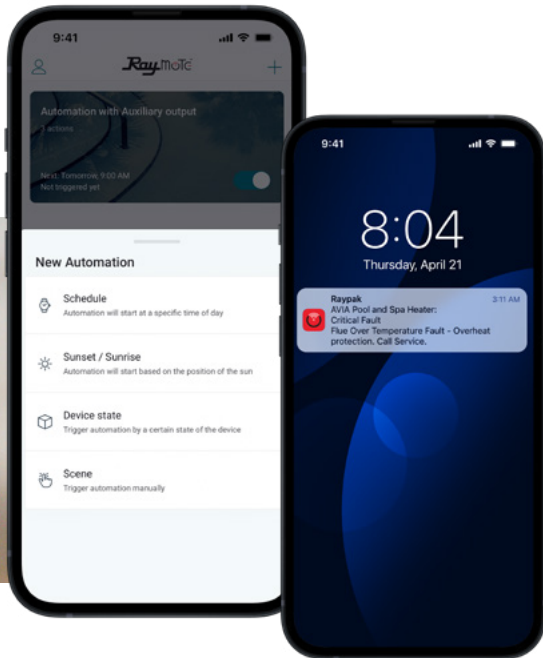
Remotely monitor your pool or spa heaters from anywhere, anytime, with touch-of-a-button access.

Stay Informed

Real-time updates notify you of any service or maintenance needs so your heater and pool are always ready to be used.

Smart Heater Control

AVIA's smart heater control within the Raymote App makes it easy to manage your pool/spa and keep it at the perfect temperature.

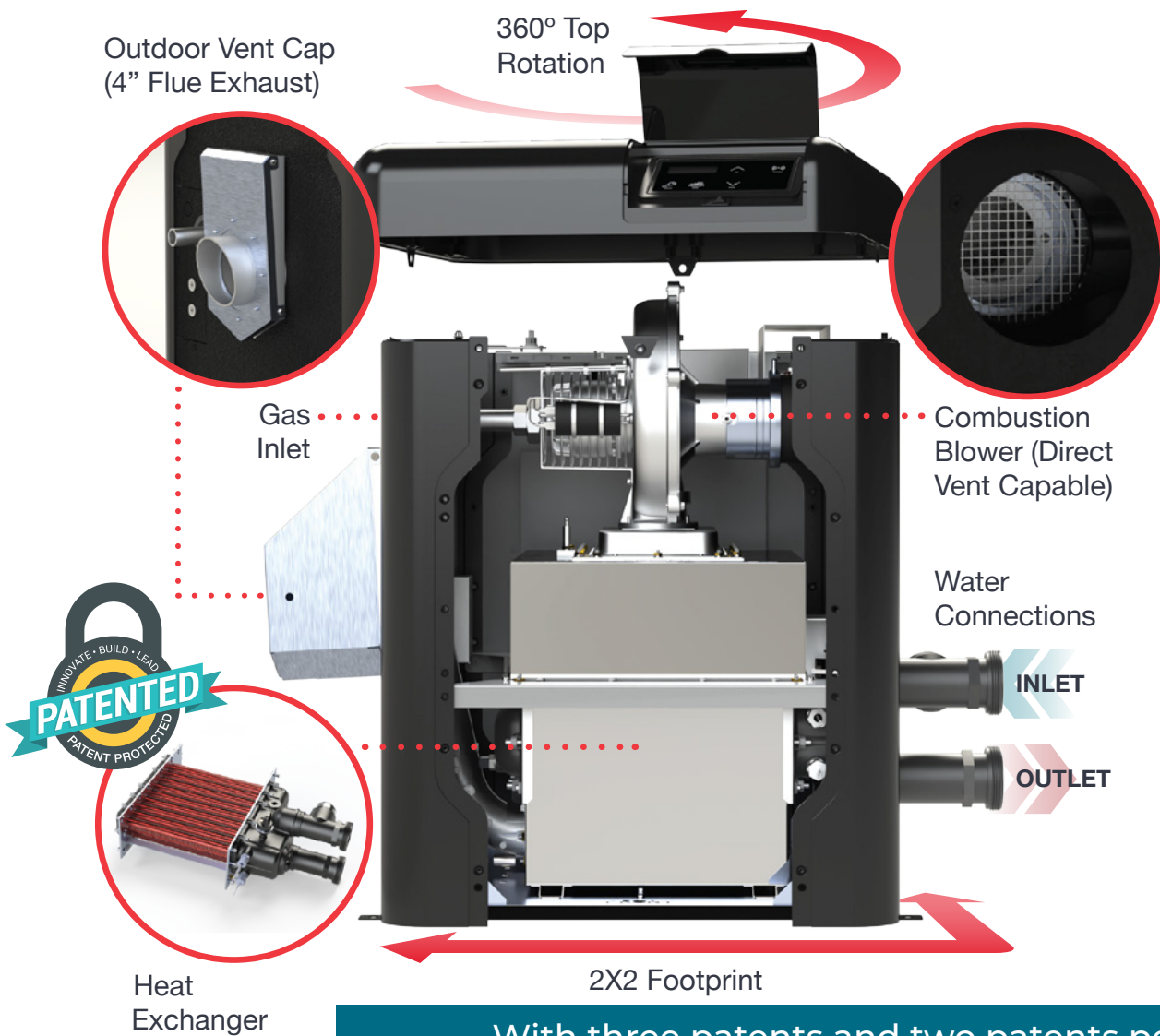
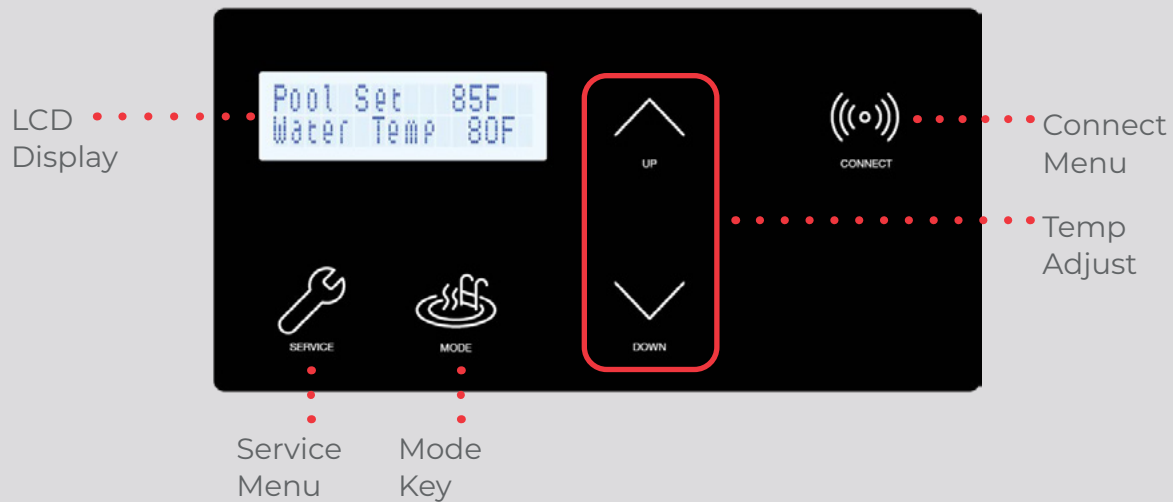


Download the free Raymote Mobile App today!



SMARTER CONTROLS

Managing your pool heater has never been easier. AVIA is built with a sophisticated control system that allows you to manage your heater through its easy to use touch control interface.



With three patents and two patents pending, AVIA is the most innovative product on the market!



HEAT WITH EFFICIENCY



The Rheem® family of brands is committed to taking a greater degree of responsibility for future generations. To learn more about our sustainability initiatives, visit

Rheem.com/Sustainability

CO₂ IMPACT INDICATOR



6,285
TREES
/LIFETIME

Choosing this product instead of a minimum efficiency alternative offsets CO₂ emissions equivalent to planting this number of trees over the product's lifetime.

**Based on a typical 20 year product lifetime*

The CO₂ Impact Score

The reduced CO₂ impact of selecting a high efficiency Rheem product instead of a minimal efficiency alternative is reflected in the product's CO₂ impact score. This score provides a simple means of measuring the

reduced CO₂ emissions compared with a minimal efficiency alternative. The CO₂ Impact Score is internally calculated based on a typical product lifetime and does not denote a third party certification/seal.



Max efficiency is assumed for all units at all times for all Treescore calculations. Total environment benefit numbers are achieved by multiplying benefit/yr with Heat-exchanger or Thermal-shock waffanty to get total benefit over the course of life of the product. Values used for CO₂ emitted per million BTUs are 117lb for NAT GAS, 139lb for PROPANE. US electrical grid's average carbon footprint of 270lb/ million BTUs is used as electricity carbon footprint. Runtime for units is assumed to be: Pool= 1600hrs/year, Commercial=2000hrs/year. All products are compared to their min. efficiency counterparts based on application/ use. (Example: HPPH is compared to NAT GAS Pool heater). For all calculations heaters with same BTU rating (heating capacity) are compared to baseline heaters with min. efficiency as per US regulatory authorities. Treescore is calculated based on lesser CO₂ emitted by our products vs CO₂ absorbed by trees. (CO₂ absorbed over 10years by a new average seedling planted today is 132.27lb). Lesser CO₂ emitted calculations exclude CO₂ footprint of building and recycling the product. Environmental benefit is only applicable for the time for which the higher efficiency product is used by customer.



INDUSTRY FIRST TECHNOLOGY

LONGEVITY

NiTek reduces more than 50% scale formation¹ and has 900% more nickel compared to cupronickel in critical surfaces.²

EFFICIENCY

NiTek produces up to 2% more thermal efficiency than cupronickel, and the same thermal efficiency as copper.³

STRENGTH

NiTek is 300% more erosion resistant than copper, and 200% more than cupronickel.⁴

300% more erosion resistant than copper

200% more than cupronickel.

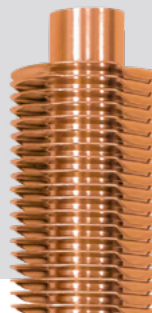
NiTek



CuNi



Cu



Disclaimers:

1. Hardwater : CaCO₃ content of 386 PPM has been used as the criteria for hardwater. Based on hardwater scale testing (CaCO₃ content of 386 PPM). Based on lab reliability data.

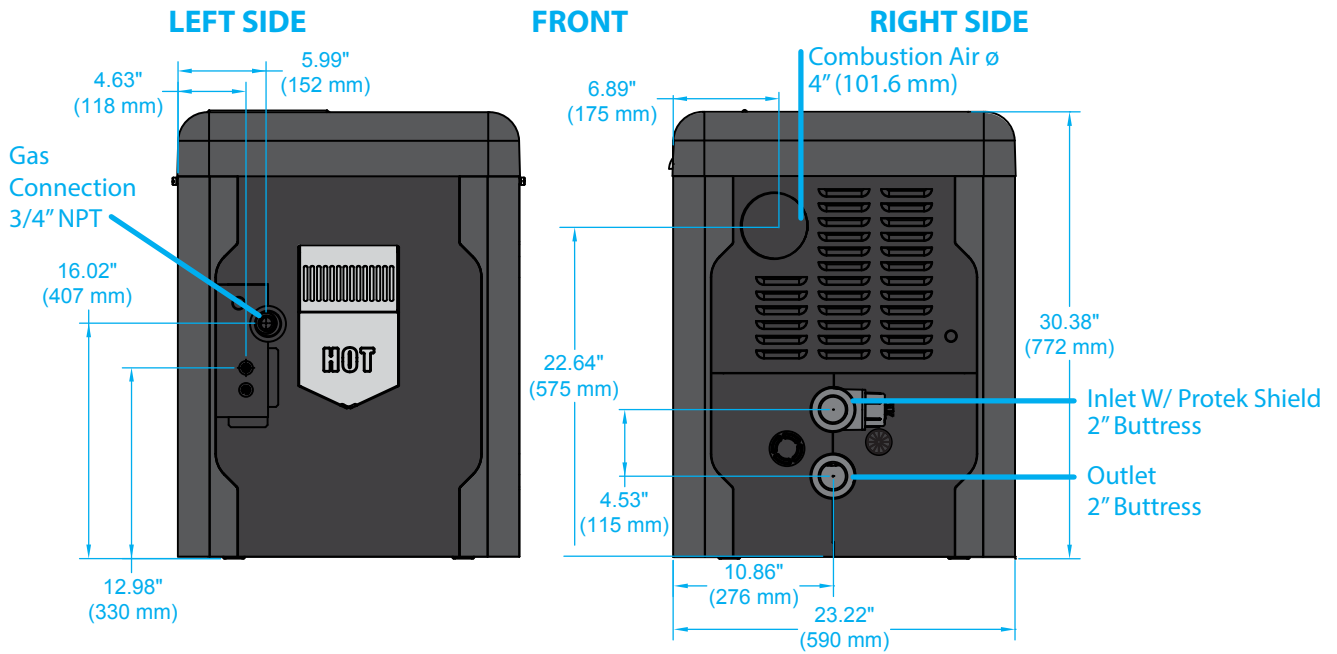
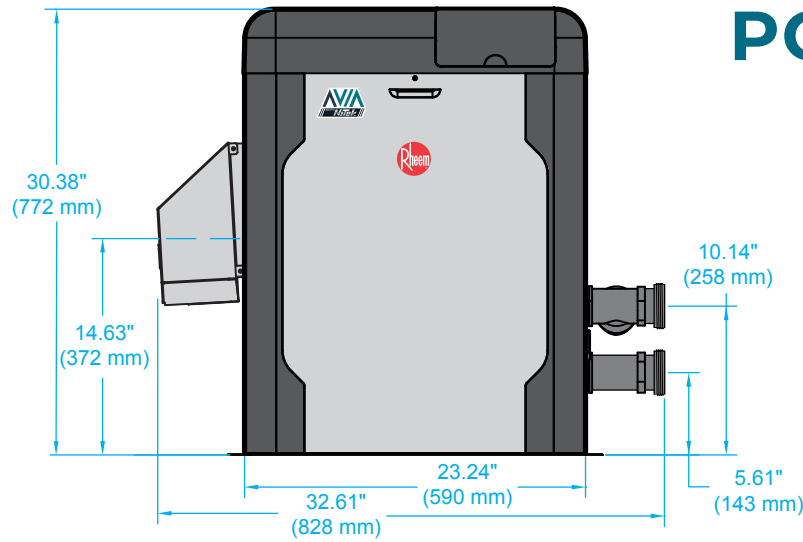
2. Based on material composition information from Raypak Series XXII Cu-Ni product, AVIA HD (Ni-coated) greater than 90% vs 10%.

3. Based on the thermal efficiency testing collected with AVIA Ni-coated samples vs Raypak series XXII CU-Ni.

4. Based on ASTM G73-10 (2017) – material durability (liquid impingement erosion test).

POOL & SPA HEATER

MODELS 264 & 404



Model No.	Tree Score	Part No.	Gas Type	ELEVATION FT. *	MBTUH Input (kWh)	Flue ϕ in. (mm)	Unit Weight lbs. (kg)	Shipping Weight lbs. (kg)
Copper Heat Exchanger								
P-M264A-EN-C	12	018068	Natural	0-10000	264 (77.4)	4 (101.6)	135 (61.2)	155 (70.2)
P-M264A-EP-C	12	018074	Propane	0-4500	264 (77.4)	4 (101.6)	135 (61.2)	155 (70.2)
P-M404A-EN-C	18	018069	Natural	0-10000	399 (116.9)	4 (101.6)	135 (61.2)	155 (70.2)
P-M404A-EP-C	18	018075	Propane	0-4500	399 (116.9)	4 (101.6)	135 (61.2)	155 (70.2)
NiTek Heat Exchanger								
P-M264A-EN-N	12	018080	Natural	0-10000	264 (77.4)	4 (101.6)	135 (61.2)	155 (70.2)
P-M264A-EP-N	12	018086	Propane	0-4500	264 (77.4)	4 (101.6)	135 (61.2)	155 (70.2)
P-M404A-EN-N	18	018081	Natural	0-10000	399 (116.9)	4 (101.6)	135 (61.2)	155 (70.2)
P-M404A-EP-N	18	018087	Propane	0-4500	399 (116.9)	4 (101.6)	135 (61.2)	155 (70.2)

* This product is approved up to 4,500 ft of elevation per CAN/CGA-2.17-M91. Rated inputs are suitable for up to 4,500 feet (1371 m) elevation. Approved up 10,000 ft for natural gas; Liquid Propane approved to 4501-7800 ft using kit 018762F.