

INSTALLATION & OPERATING INSTRUCTIONS

Heat Pump Pool & Spa Heater



**Model Series
2350, 3350,
4350, 4350PD**



FOR YOUR SAFETY: Do not store or use gasoline or other flammable vapors and liquids or other combustible materials in the vicinity of this or any other appliance. To do so may result in an explosion or fire.

NOTE: The instructions in this manual are for the use of qualified individuals specially trained and experienced in the installation and maintenance of this type of equipment and related system components. Installation and service personnel are required by some states to be licensed. Persons not qualified shall not attempt to install, service, or maintain this equipment.

This manual should be maintained in legible condition and kept adjacent to the heat pump pool heater or in a safe place for future use.

Water Chemistry

(Corrosive water voids all warranties)

For your health and the protection of your pool equipment, it is essential that your water be chemically balanced. The following levels must be used as a guide for balanced water.

Recommended Level(s)	Fiberglass Pools	Fiberglass Spas	Other Pool & Spa Types
Water Temp. (Deg. F)	68 to 88	89 to 104	68 to 104
pH	7.3 to 7.4	7.3 to 7.4	7.6 to 7.8
Total Alkalinity (PPM)	120 to 150	120 to 150	80 to 120
Calcium Hardness (PPM)	200 to 300	150 to 200	200 to 400
Salt (PPM)	4500 MAXIMUM	4500 MAXIMUM	4500 MAXIMUM
Free Chlorine (PPM)*	2 to 3	2 to 3	2 to 3
Total Dissolved Solids (PPM)	3000 MAXIMUM**	3000 MAXIMUM**	3000 MAXIMUM**

***Free Chlorine MUST NOT EXCEED 5 PPM!**

** In salt water chlorinated pools, the total TDS can be as high as 6000ppm.

- Occasional chemical shock dosing of the pool or spa water should not damage the heater providing the water is balanced.
- Automatic chemical dosing devices and salt chlorinators are usually more efficient in heated water. Unless controlled, they can lead to excessive chlorine level which can damage your heater.
- Further advice should be obtained from your pool or spa builder, accredited pool shop, or chemical supplier for the correct levels for your water.

Rev. 4 reflects the following:

Changes to: Picture on page 1, Installation Considerations on page 5, Fig. 2 on page 7, Table B on page 13, wiring diagram on page 18

Additions: "4350PD" model on page 1.

Deletions: None.

CONTENTS

Water Chemistry	2	Freeze Protection	10
Warnings	4	System Drain-Down	10
Pay Attention to These Terms	4	Continuous Pump Operation	10
Introduction	5	Maintenance	11
Installation Considerations	5	Air Coil Cleaning	11
Electrical Connections	6	Cabinet Care (optional)	11
Water Connections	8	Unplug Condensation Drain Holes	11
Controls	9	Troubleshooting	11
Controls Operating Instructions	9	Service Call Verification	12
To Select Pool or Spa Mode	9	Power Supply	12
To Increase the Desired Water Temperature (Pool or Spa Mode)	9	Water Flow	12
To Lower Desired Water Temperature (Pool or Spa Mode)	9	Time Clock Adjustment	12
To Select Temperature in °C or °F	9	Installing a Remote Control Device	12
System Start-Up	10	Wiring	12
Seasonal Start-Up or Annual Check	10	Heater Settings	13
Summer Shutdown	10	Plumbing Diagrams	14
		Wiring Diagram — 208V/230V Single-Phase	18

Warnings — Pay Attention to These Terms

DANGER:	Indicates the presence of immediate hazards which will cause severe personal injury, death or substantial property damage if ignored.
WARNING:	Indicates the presence of hazards or unsafe practices which could cause severe personal injury, death or substantial property damage if ignored.
CAUTION:	Indicates the presence of hazards or unsafe practices which could cause minor personal injury or product or property damage if ignored.
NOTE:	Indicates special instructions on installation, operation, or maintenance which are important but not related to personal injury hazards.

This manual, as well as the pool/spa heat pump pool heater itself, contains ANSI-approved product safety signs and labels. Please read these signs and labels, as they convey important safety information about hazards that may be potentially present in and around the heat pump pool heater.

CAUTION: Elevated water temperature can be hazardous. The U.S. Consumer Product Safety Commission has these guidelines:

1. Spa water temperatures should never exceed 104°F (40°C). A temperature of 100°F (38°C) is considered safe for a healthy adult. Special caution is suggested for young children.
2. Drinking of alcoholic beverages before or during spa or hot tub use can cause drowsiness which could lead to unconsciousness and subsequently result in drowning.
3. *Pregnant Women Beware!* Soaking in water over 102°F (39°C) can cause fetal damage during the first three months of pregnancy resulting in the birth of a brain-damaged or deformed child. Pregnant women should stick to the 100°F (38°C) maximum rule.
4. Before entering the spa or hot tub, users should check the water temperature with an accurate thermometer; spa or hot tub thermostats may err in regulating water temperatures by as much as 4°F (2.2°C).
5. Persons with a medical history of heart disease, circulatory problems, diabetes, or blood pressure problems should obtain a physician's advice before using pools or hot tubs.
6. Persons taking medications which induce drowsiness, such as tranquilizers, antihistamines, or anticoagulants, should not use spas or hot tubs.

CAUTION: Improper chemical content in a swimming pool or spa can damage the heat pump pool heater. DO NOT add pool chemicals to the skimmer. This will damage the heat pump pool heater and could void the heat pump pool heater warranty. ALWAYS follow the product manufacturer's directions when adding any chemicals to your pool.

WARNING: These heat pump pool heaters are charged with R-410A refrigerant. Ensure that all service work is done with gauges and equipment suitable for R-410A.

Introduction

WARNING: This pool/spa heat pump pool heater is an electromechanical machine that incorporates a pressurized refrigerant gas in a sealed system. ONLY trained and qualified service personnel are authorized to install or service this equipment. Without proper training and knowledge of such equipment, any attempt to install or service the unit could result in serious injury or even death.

This manual contains important information on the use, maintenance and troubleshooting of your new heat pump pool heater. This unit must be properly installed, maintained and operated for optimal performance.

This heat pump pool heater is an extremely efficient, economical machine designed specifically for swimming pool heating. It is similar in design and operation to a typical residential air conditioning system. The unit employs a hermetic motor/compressor operating in a refrigeration cycle to extract heat from ambient air and deliver it to the circulating pool water.

As with all heat pump pool heaters, compared to other types of heaters such as gas or oil-fired, this heat pump pool heater has lower heating capacity on a BTUH/hr basis. As a result, it will be required to operate longer to accomplish the desired results. It may, at certain times, operate as much as 24 hours per day. However, this should not be of concern to the owner, because the unit is designed to operate continuously. Even though it may operate continuously for many hours, it will still heat the pool with greater economy than other types of fossil fuel heaters.

Place a cover or blanket over the pool at night and other non-use periods. This will keep evaporation, the cause of main heat loss, to a minimum, and will greatly reduce pool heating costs. During warmer weather, the cover may be required only at night.

Installation Considerations

WARNING: Do not install the unit within 3 ft of fossil fuel burning heaters. Air intake along the sides of this heat pump pool heater could disturb the combustion process of the unit, and could cause damage or personal injury.

- Mount the unit on a level, sturdy base, preferably a concrete slab or blocks. The size of the base should be at least 3 ft by 3 ft.

CAUTION: The unit's supporting base must be high enough to keep it completely free of standing water at all times.

Situate the heat pump pool heater carefully to minimize installation costs while providing maximum efficiency of operation, and to allow adequate service access, as follows:

- For unrestricted air intake and service access, position each side of the unit at least 1 ft (30 cm) from walls, pipes and other obstructions.

WARNING: This unit is designed for outdoor installation; **DO NOT** install it in an enclosed area such as a shed or garage.

- Recirculation of cold discharge air back into the evaporator coil will greatly reduce the unit's heating capacity and efficiency.
- This unit features an 'up-flow' discharge for quiet operation. Air is pulled up through the evaporator coil and discharged through the top grill. Allow at least 5 ft (1.5 m) clearance above the unit for unrestricted air discharge. **DO NOT** install the unit under a porch or deck. Refer to Fig. 1.
- To minimize water piping, locate the unit as close as possible to the existing pool pump and filter.
- If the location of the heat pump pool heater is below the water line of the pool, the water pressure switch might need to be adjusted or an external water flow switch might be needed.
- Irrigation water should be directed away from the heat pump pool heater-water spray can damage the heat pump pool heater.
- Rain water run offs- the heat pump pool heater can withstand normal rain. Install rain gutters to prevent direct steams of rain water to the heat pump pool heater.
- It is important to keep the area next to the heat pump pool heater clear of shrubs, bushes and chemicals containers. They could prevent air from circulating fully through the heat pump pool heater, and will affect the operation of the heat pump pool heater or damage the heat pump pool heater.
- When installed in areas where freezing temperatures can be encountered, drain the water circuit to prevent possible freeze-up damage. See the Freeze Protection Section.

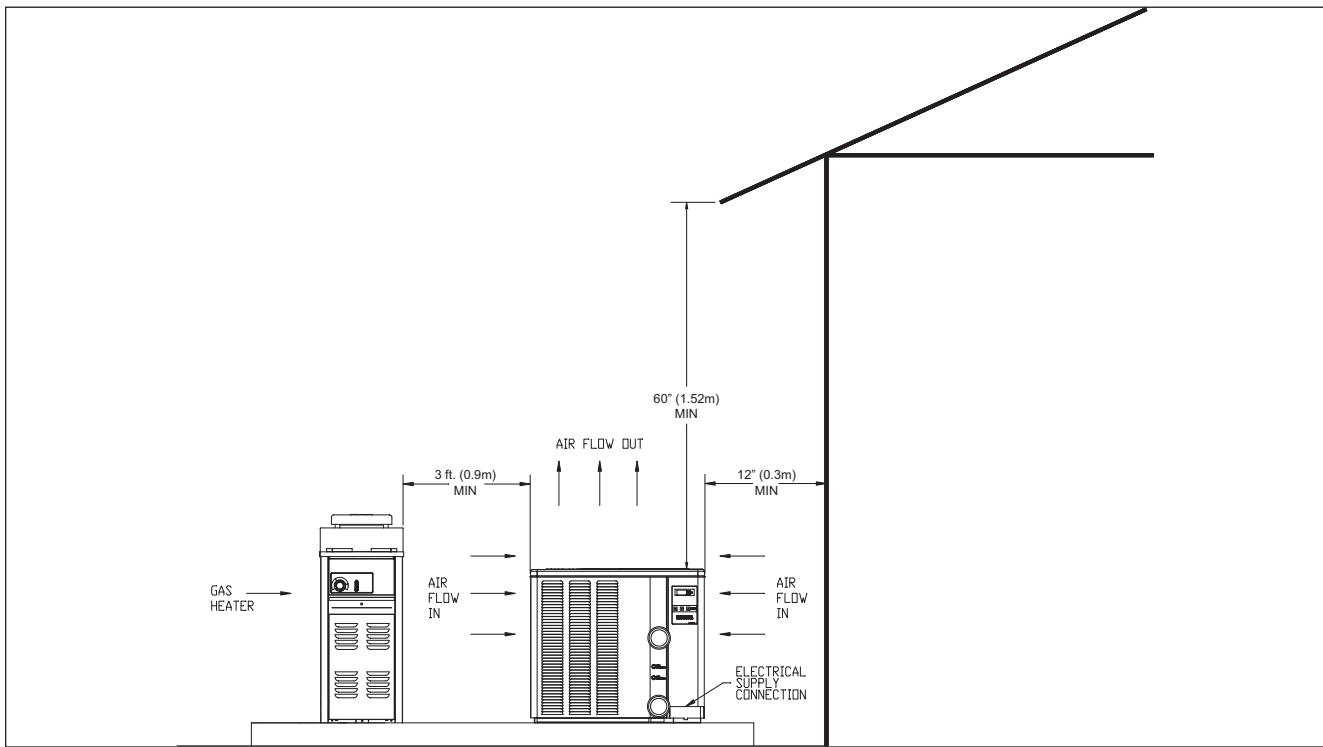


Fig. 1: Installation Clearances

Electrical Connections

Refer to the unit rating plate for precise power requirements for your unit, and for ampacity and over-current protection requirements.

All wiring must be in accordance with the National Electrical Code, NFPA No. 70, latest edition, and all applicable state and local codes. The wiring diagram is located on page 18.

Remove the electrical access panel and route electrical supply wiring through the hole in the bottom of the junction box. Use an approved conduit connector or strain relief in compliance with NFPA 70.

NOTE: Refer to the National Electrical Code, Article 680, for general requirements for swimming pools and equipment, and to Article 440 for special considerations necessary for circuits supplying hermetic refrigeration motor/compressors.

- Locate the equipment disconnect means within 3 feet (0.9m) of the heater’s electrical enclosure, or as close to the heater as possible. Always satisfy applicable codes and standards.
- In sizing power wiring, be especially aware of up-sizing requirements necessary due to wiring distances. Always satisfy applicable codes and standards.
- Electrical installation should be done by a licensed electrician only.

This unit is pre-wired to work with external control systems, heat-on-demand options and other external time clock overrides. Refer to the external control system’s instructions, and page 12 of this manual, for installation information.

Model No.	VAC in - Phase - Hz	Minimum Circuit Ampacity (A)	Maximum Breaker Size (A)
2350	208/230 - 1 - 60	23	35
3350	208/230 - 1 - 60	30	50
4350	208/230 - 1 - 60	34	50

Table A: Typical System Electrical Power Requirements

THIS DRAWING USED AS A GRAPHICAL REPRESENTATION ONLY AND IT MAY NOT APPEAR EXACTLY LIKE YOUR SPECIFIC UNIT.

PAD SPECIFICATION:

GREATER THAN OR EQUAL TO 4" THICK SOLID CONCRETE 3000 P. S. I. OR GREATER LOAD RATING
 PAD LENGTH GREATER THAN OR EQUAL TO UNIT LENGTH +6"
 PAD WIDTH GREATER THAN OR EQUAL TO UNIT WIDTH +6"

168 MPH, 3 SEC. GUST IN ACCORDANCE WITH:
 ASCE 7-2010 CHAPTER 30 WIND LOADS - COMPONENTS AND CLADDING
 FLORIDA BUILDING CODE 2010 - SECTION 1609 WIND LOADS
 FLORIDA BUILDING CODE 2010 - SECTION 1620 HIGH VELOCITY HURRICANE ZONES - WIND LOADS

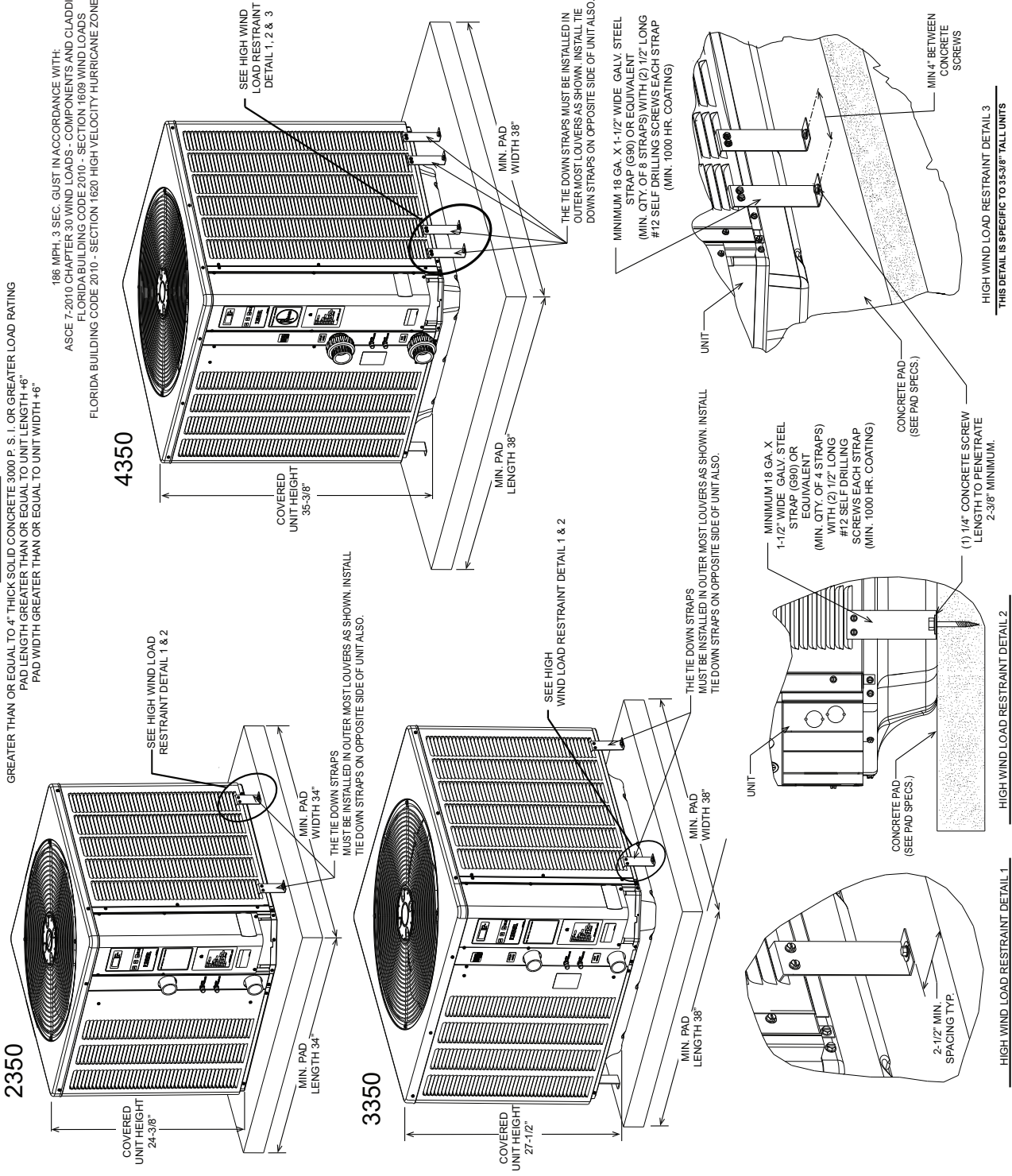


Fig. 2: Hurricane Tie Down Specifications

Water Connections

CAUTION: The heat pump pool heater inlet and outlet connections are **NOT** interchangeable. They must be connected as instructed below.

1. Connect the heat pump pool heater in the return water line between the filter and the pool/spa. See the **Plumbing Diagrams** beginning on page 14.
2. Connect the filter outlet to the fitting marked **WATER IN** at the bottom front of the unit.
3. Connect the fitting marked **WATER OUT** to the return piping to the pool/spa. Unit inlet/outlet connection fittings are 1-1/2 inch PVC unions.

Water connections from the unit to the main return line can be PVC pipe or flexible pipe approved for the purpose and, in either case, should be at least equal in size to the main pool/spa circulation piping.

4. In cold weather (freeze zone) areas, shutoff valves (ball or gate type) must be installed at the unit inlet and outlet to facilitate service and cold weather drain-down.
5. Operate the pump and check the system for leaks.

NOTE: Refer to the National Electrical Code, Article 680, for general requirements for swimming pools and equipment, and to Article 440 for special considerations necessary for circuits supplying hermetic refrigeration motor/compressors.

WARNING: Install a check valve and/or a Hartford loop **AFTER** the heat pump pool heater and **BEFORE** any chlorinating devices. Install any automatic chemical feeders **AFTER** the heat pump pool heater. **Improper installation of any type of automatic chemical feeders can result in serious damage to, or premature failure of, the heat pump pool heater and will void the heat pump pool heater warranty.**

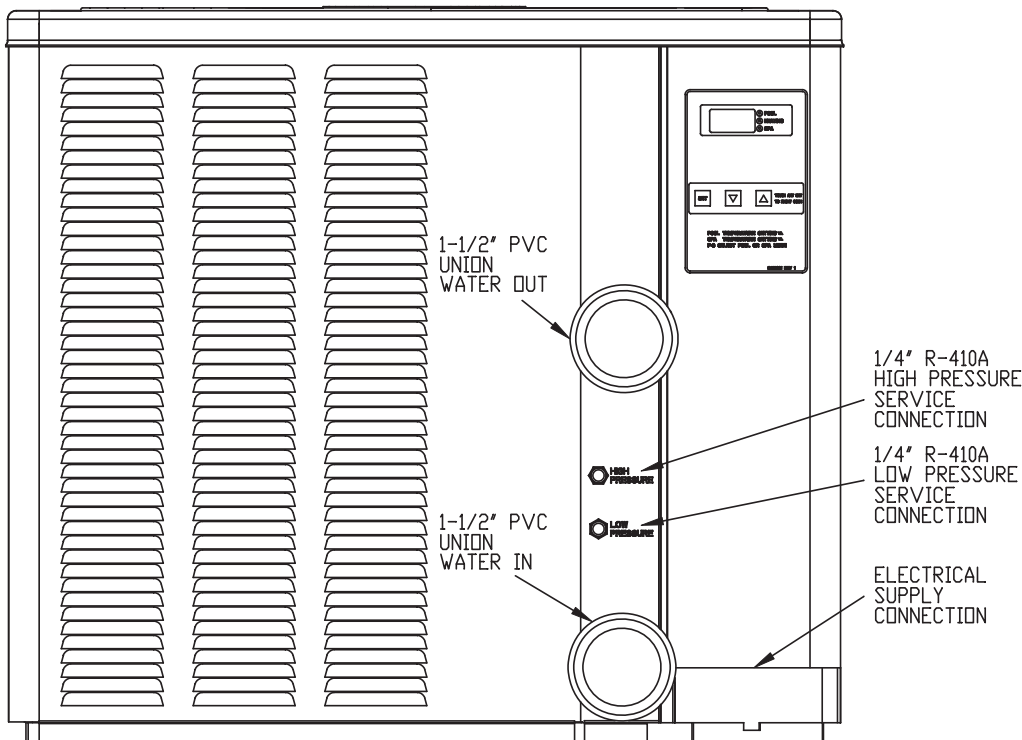


Fig. 3: Utility Connections

NOTE: Units are provided with 1/4" service ports, as shown in Fig. 3 above. The upper port is for measuring high pressure, and the lower port is for measuring the low pressure.

CAUTION: Caps must be reinstalled after service is complete.

Controls

Your heat pump pool heater incorporates digital safety controls and indicators to ensure its safe, reliable operation.

Water Pressure Switch: Prevents operation when the pump is OFF. The unit requires 5 psi minimum pressure.

Digital Water Temperature Control: The pool water temperature is controlled by the heat pump pool heater's digital control system, which gives you the option of two settings: one for the desired spa temperature and the other for the desired pool temperature. Additionally, as mentioned earlier, the unit is compatible with most '2-wire' and '3-wire' control/automation systems.

Defrost Sensor: Prevents unit operation if ambient air temperature falls below a predetermined safe minimum (approximately 42°–48°F (5.5°–8.8°C), based on humidity). The compressor will shut OFF but the fan will continue to run.

Delay Timer: Prevents compressor from short cycling, which could damage or destroy the hermetic motor/compressor. Upon water temperature control satisfaction, or other circuit interruptions, this solid state device will prevent compressor restart for approximately 5 minutes.



Fig. 4: Digital Water Temperature Control

Controls Operating Instructions

The electronic board has the capability of memorizing two different programmed temperature settings as follows (refer to Fig. 4):

- For a pool, maximum 95°F (35°C)
- For a spa, maximum 104°F (40°C)

To Select Pool or Spa Mode

To have access to either one of these programs, press the **SET** key until you see **P_S** and by pressing the UP or DOWN key you can switch to **POL** or **SPA**.

To Increase the Desired Water Temperature (Pool or Spa Mode)

Push the **SET** key until you see **POL** or **SPA**. The programmed temperature will be displayed. Press the UP arrow to increase the temperature setting one degree at a time.

To Lower the Desired Water Temperature (Pool or Spa Mode)

Push the **SET** key until you see **POL** or **SPA**. The programmed temperature will be displayed. Press the DOWN arrow to decrease the temperature setting one degree at a time.

Once the control has been programmed to the desired pool water temperature, the programmed temperature will be displayed for approximately 5 seconds. Then the digital display will display the actual pool water temperature.

To make the Board a Pool ONLY Board, call 800-260-2758 for instructions.

To Select Temperature in °C or °F

Press the **SET** key until you see **F_C**. By pressing the UP or DOWN key you can switch to °F or °C. Once the temperature display mode has been programmed it will be displayed for approximately 5 seconds, then the digital display will return to the actual pool water temperature in the mode that you have chosen.

System Start-Up

1. Verify that the Digital Board is displaying a temperature and the pool pump is running and water is circulating properly.
2. Verify that the Board is programmed so that the desired temperature of the Pool and Spa is higher than the displayed current water temperature.
3. Allow the heat pump pool heater to operate for a few minutes to stabilize operating pressures and to allow various component temperatures to normalize.
4. Verify that the discharge air temperature is approximately 4°–5°F (2.2°–2.8°C) cooler than the air entering the unit. If not, see the Troubleshooting Section.

Seasonal Start-Up or Annual Check

NOTE: At the beginning of the heating season, or whenever the pool water temperature is to be raised several degrees, the pool pump and heat pump pool heater may need to operate continuously for several days. During summer months, only a few hours per day may be necessary, or none at all.

1. Remove leaves, pine needles, etc., from the evaporator coil. Clean the coil by gently applying a mild solution of household liquid soap and water.
2. Gently rinse the coil with water; **DO NOT** use high pressure.
3. Backwash or otherwise clean the pool filter. If necessary, clean the skimmer basket and pump strainer.

NOTE: If the pool pump and heat pump pool heater shut OFF before the water temperature is raised to the desired level, you must lengthen the running time of both. To do this, reset the time clock dial for the longer running time, or manually operate the pump with the timer override switch. Since the heat pump pool heater capacity and efficiency are both greater at higher ambient air temperatures, run time should be set to take advantage of all daylight hours, when the air is generally warmer.

4. Set the valves to ensure proper water flow through the unit.

Summer Shutdown

If you do not plan to use the heat pump pool heater during the summer months, secure and protect it as follows:

1. Turn the unit circuit breaker or disconnect switch to OFF.
2. Leave the valves set the way they are unless additional circulation is required. **DO NOT** stop all flow through the heat pump pool heater.
3. **IMPORTANT:** Remember to reset the valves before the next heating season, or the unit will not operate properly.

Freeze Protection

If the unit is installed in a location subject to freezing conditions, it is important to protect the water circuit from freezing, just as should be done for the pump and filter.

System Drain-Down

1. Turn the unit circuit breaker or disconnect switch to OFF.
2. With the pool pump OFF, close the external shut-off valves and loosen the inlet and outlet water unions to allow water to drain. Use a Wet/Dry Vac or air pressure to remove excess water.
3. Loosely re-attach the unions.
4. Cover the unit with a waterproof cover.

Continuous Pump Operation

It is also possible in some areas to prevent unit freeze damage by operating the pump continuously during freezing weather. However, this results in significantly higher pump operating costs. Further, if a sustained power failure occurs, the unit **MUST** be drained anyway, or freeze damage could result.

Maintenance

NOTE: The heat pump pool heater **MANUFACTURER IS NOT RESPONSIBLE** for maintenance adjustments.

The following maintenance procedures are designed to keep your unit operating at a high level of reliability. **Maintenance must be performed on a periodic basis to maintain warranty coverage** and prevent system failures and performance degradation.

Air Coil Cleaning

Efficient operation depends on free circulation of air through the thin and tightly-spaced fins of the evaporator coil(s). The evaporator **must** be cleaned whenever it has a buildup of dirt or debris.

CAUTION: To clean the fins, spray gently with a garden hose. **DO NOT pressure wash.** Doing so will bend the fins and can void the warranty.

Cabinet Care (optional)

The cabinet is designed for outdoor use and requires little care. However, you can clean it if you wish.

WARNING: Shut **OFF** electricity to the unit before cleaning.

Wash the cabinet with soap and water.

Unplug Condensation Drain Holes

The unit extracts humidity from the air as it passes through the coil, similar to the way a cold drink outside “sweats” on a hot day. This condensation drains from the bottom of the unit.

1. Routinely check to be sure the condensation drain holes in the base of the unit are not plugged with dirt or debris.
2. If condensation becomes a problem, optional drain pans are available from your heat pump pool heater distributor or pool dealer.

Troubleshooting

If your unit does not operate, or simply does not heat your pool water, Fault Codes on the front control panel, can provide valuable clues as to what is wrong, and may even indicate precisely what the problem is. Always observe these codes before calling a service representative. By reporting on the telephone the Fault Codes that are showing, the service rep may be able to solve the problem without the expense of a service call.

A. UNIT IS RUNNING, BUT NOT HEATING

- Is water flow through the unit adequate? Check the unit for obstructions, such as a clogged filter pump strainer, a dirty filter, or valves not positioned correctly.
- Is the ejected air from the unit 4°–5°F (2.2°–2.8°C) cooler than incoming air? If so, the unit is extracting heat from the air and transferring it to the pool.
- Is water condensing on the evaporator and internal copper pipes? This is also evidence of heat removal from the air. When the air is cool with low humidity, condensation may not be evident.
- How long has the unit been operating? During initial pool heating in cold weather, it may require a week to elevate the water temperature to a comfortable level. Normally, it takes about 4 days.

How many hours per day is the unit operating? **Remember that the heat pump pool heater only operates while the pool pump is running.** Set the time clock to permit 24 hour per day operation. After the desired temperature is reached, return the unit to normal operation of 8–10 hours per day.

NOTE: If the pool pump and heat pump pool heater shut OFF before the water temperature is raised to the desired level, you must lengthen the running time of both. To do this, reset the time clock dial for the longer running time, or manually operate the pump with the timer override switch. Since the unit capacity and efficiency are both greater at higher ambient air temperatures, run time should be set to take advantage of all daylight hours, when the air is generally warmer.

- Is airflow through the unit being obstructed? Restrictions such as shrubbery, tall grass, dirty coils, or any other obstruction to airflow will reduce performance.
- Is the pool blanket/cover being used? Unblanketed pools can lose up to 10°F (5.5°C) per night compared to 4°F (2.2°C) or fewer when a blanket is used. Without a blanket, the total heat gained during the day can be lost overnight.
- Are rapid heat losses occurring in some other way, such as high wind, spillage, rainfall, flow through solar panels at night, or a high water table?

B. UNIT IS NOT RUNNING

- Is the temperature display ON? If not, the circuit breaker may be shut OFF or tripped. Reset the breaker by switching it OFF, and then back ON. **Verify that the breaker is set and operating properly before calling for service.**
- Is the thermostat setting and the Pool/Spa setting correct? Verify that the temperature has been properly set on the thermostat, and that it is **higher** than the current water temperature.
- Have you waited approximately 5 minutes for the time delay? After the unit has been running and then shut OFF for any reason, there is a delay before operation can begin again.
- Is the **Heat Light** ON? If not, then the thermostat setting is not higher than the temperature of the water. Raise the thermostat setting.

NOTE: The heat pump pool heater will not run when the **Remote** position is selected on the Pool/Spa selector switch and there is no remote control system attached.

C. CONDENSATION SEEMS EXCESSIVE

Heat pump pool heaters can produce a large amount of condensation (water) during operation. If you suspect that the unit is leaking:

- Use a pool chemistry test kit to confirm there is no chlorine in the condensation. **Or,**
- Shut the unit OFF and leave the filter pump running to see if the water stops dripping. If the water stops dripping, the unit is **not** leaking.

Service Call Verification

The Service number is **800-260-2758** in the United States. For units in Canada, call **800-268-6966**.

Before you make a service call, **first** determine if the problem is:

- Warranty Service
- Unit operation (power supply, water flow, or time clock adjustment)

NOTE: The **MANUFACTURER IS NOT RESPONSIBLE** for these adjustments.

Power Supply

- Verify that all circuit breakers are reset and working properly.
- If the temperature display does not light, contact the installing dealer, since it may be a power problem requiring an electrician.

Water Flow

- Verify that the pool filter is clean to provide good flow.
- Verify that valves are properly positioned to allow adequate water flow through the unit.

Time Clock Adjustment

Verify that the time clock is set to permit the unit to run long enough to heat properly.

Installing a Remote Control Device

Wiring

For a 2-wire control, use the **TOTAL** and **COMMON** connections on the heat pump pool heater wiring block.

For a 3-wire control, use the **COMMON**, **SPA** and **POOL** connections on the heat pump pool heater wiring block.

Fault Code	Meaning of Code
OFF	The desired programmed temperature point is lower than 60°F (15°C).
LP & LP3	Shortage of refrigerant gas in the unit or faulty low pressure control. The unit will show (LP3) after 3 LP faults and shuts down the unit and pool pump for protection. If this occurs, you should call for service.
HP & HP6	Low water flow in the unit or faulty high pressure control. Check water flow/backwash. The unit will show (HP6) after 6 HP faults. This will stop the unit for protection.
FLo & FL3	Possible causes: <ul style="list-style-type: none"> • The filter is in backwash position. • The filter pump is stopped. • The filter is dirty. • Shortage of water to pool pump. • Water pressure switch must be adjusted or it is broken. • The unit is in the protection mode and will show (FL3), press any key to restart the unit. FL3 code will stop the unit and pool pump.
FS	Unit is in the defrosting cycle. (The fan works but the compressor is stopped.)
--	Keypad is pressing down on both buttons. Replace keypad.

Table B: Control Board Fault Codes

Heater Settings

1. Make sure the heater is disabled on the remote control device. Then, push the **SET** key until **POL** is displayed. Push the DOWN arrow key until OFF is displayed. Wait until a temperature is displayed before beginning the next step.
2. Push the **SET** key until **SPA** is displayed, then push the UP arrow to **104°F (40°C)**. Wait until a temperature is displayed before beginning the next step.
3. Push the **SET** key until **P_S** is displayed, then push the DOWN arrow until **POL** is displayed. Wait until a temperature is displayed before beginning the next step.
4. Finally, enable the heater on the remote control device. When there is a call for heat, the heater display will show **SPA**. When the heater is disabled, the display will show **POL**.

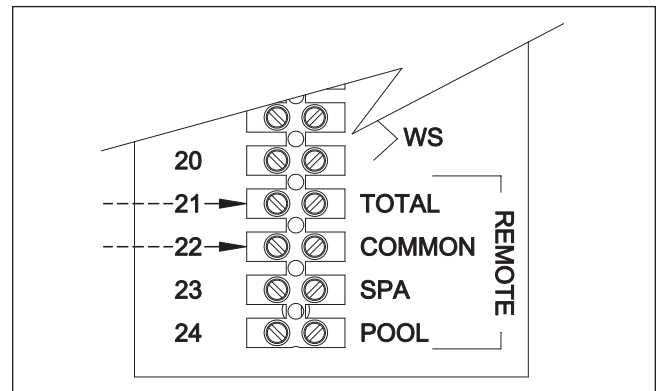


Fig. 8: 2-Wire Remote Connection

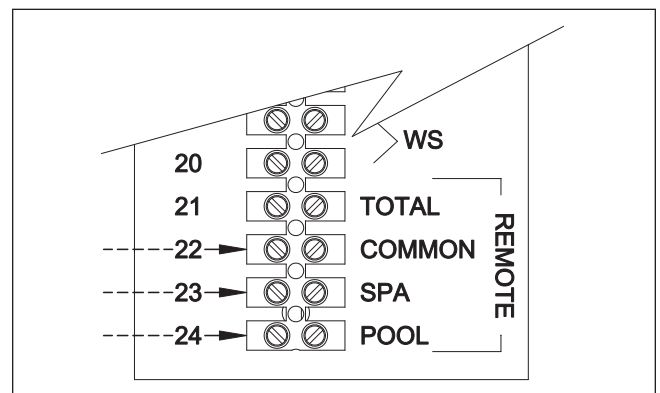


Fig. 9: 3-Wire Remote Connection

Plumbing Diagrams

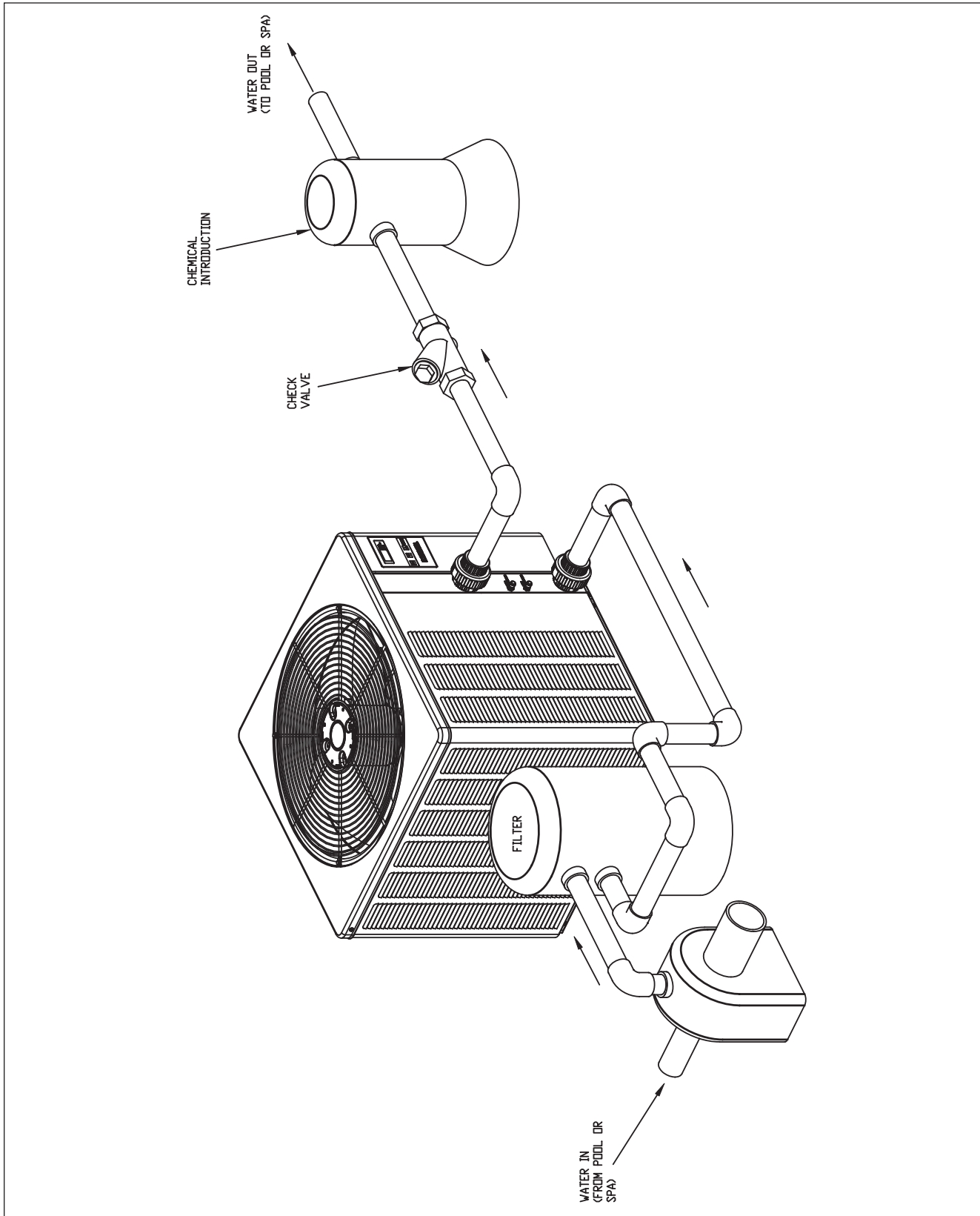


Fig. 5: For systems with pumps of less than 1-1/2 HP (under 50 gpm), no external bypass is required. Connections are 1-1/2 inch unions. Plumb the heat pump pool heater AFTER the filter and BEFORE any chlorinators.

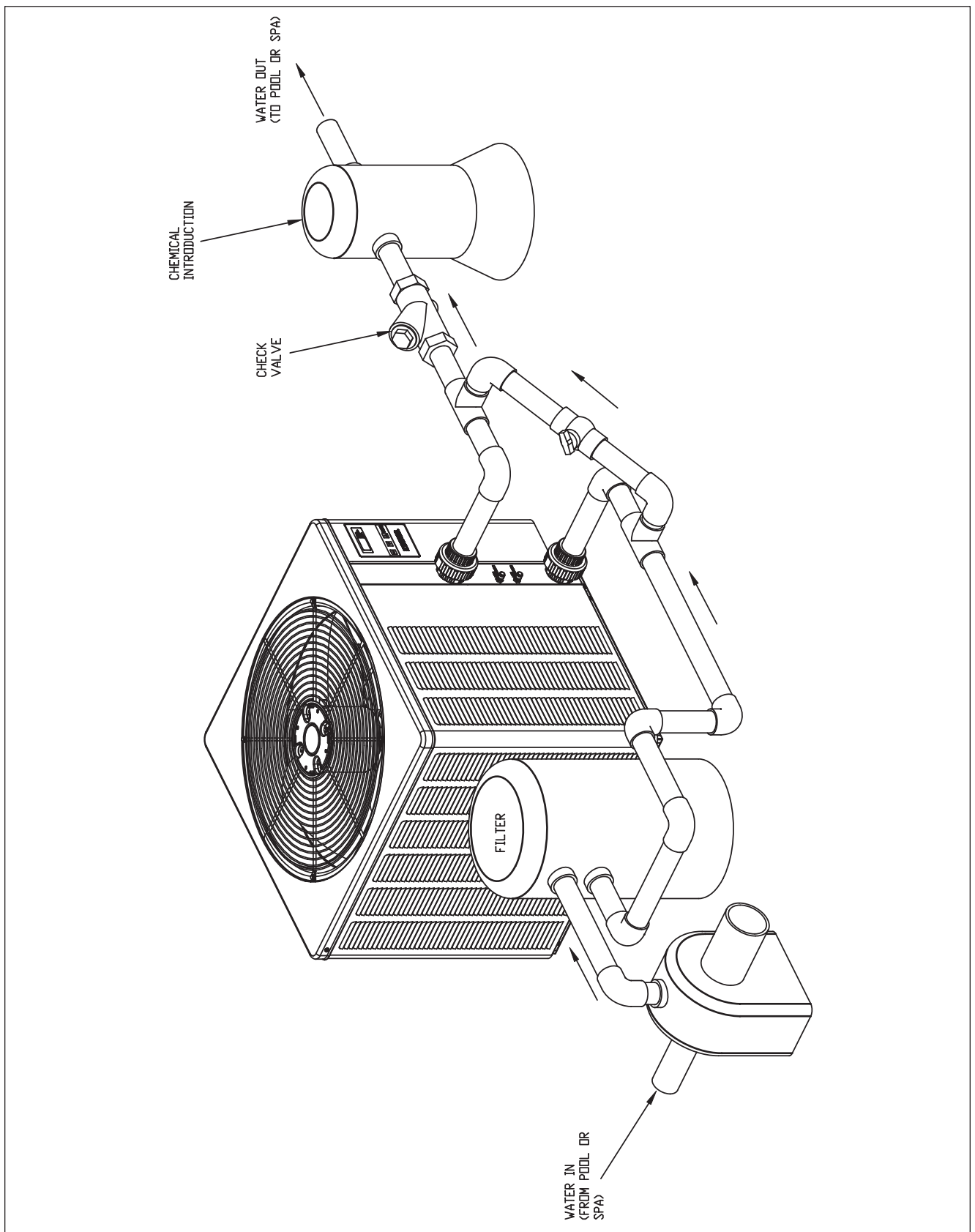
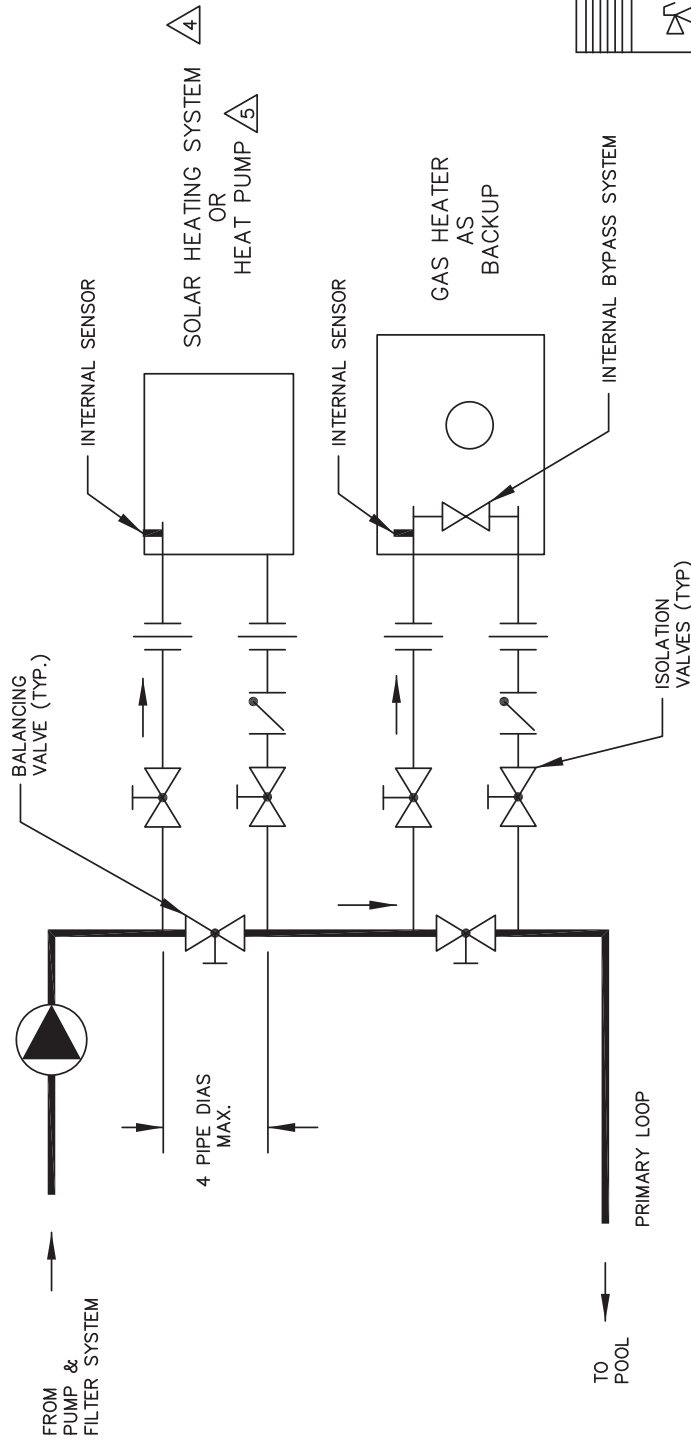


Fig. 6: For systems with pumps of 1-1/2 HP or greater (over 50 gpm), an external bypass is required. Adjust the bypass valve to divert a minimum of 15 gpm through the heat pump pool heater. Connections are 1-1/2 inch unions. Plumb the heat pump pool heater AFTER the filter and BEFORE any chlorinators.

THIS PIPING DIAGRAM IS A RECOMMENDATION AND IS NOT INTENDED TO REPLACE AN ENGINEERED PIPING SYSTEM DESIGNED BY A PROFESSIONAL ENGINEER.



KEY	
	PRESSURE RELIEF VALVE
	PUMP
	UNION
	CHECK VALVE
	BALL VALVE
	THERMOMETER

HEATERS SHOWN REPRESENT VARIOUS MODELS. BECAUSE INDIVIDUAL MODELS WILL VARY IN DESIGN AND SIZING, SEE EACH SPECIFIC HEATER TYPE FOR DETAILS.

NOTES:

1. PLUMB SWING CHECK VALVE IN GRAVITY-CLOSED POSITION.
2. PIPE ALL RELIEF VALVES TO DRAIN, OR AS LOCAL CODES REQUIRE.
3. MINIMUM PIPE SIZE MUST BE EQUAL TO THE HEATER INLET/ OUTLET SIZE.

△4 SOLAR SYSTEM MUST BE INSTALLED IN ACCORDANCE WITH SOLAR SUPPLIER'S INSTRUCTIONS INCLUDING, BUT NOT LIMITED TO, PROTECTION AGAINST OVERHEATING AND/OR FREEZE-UPS.

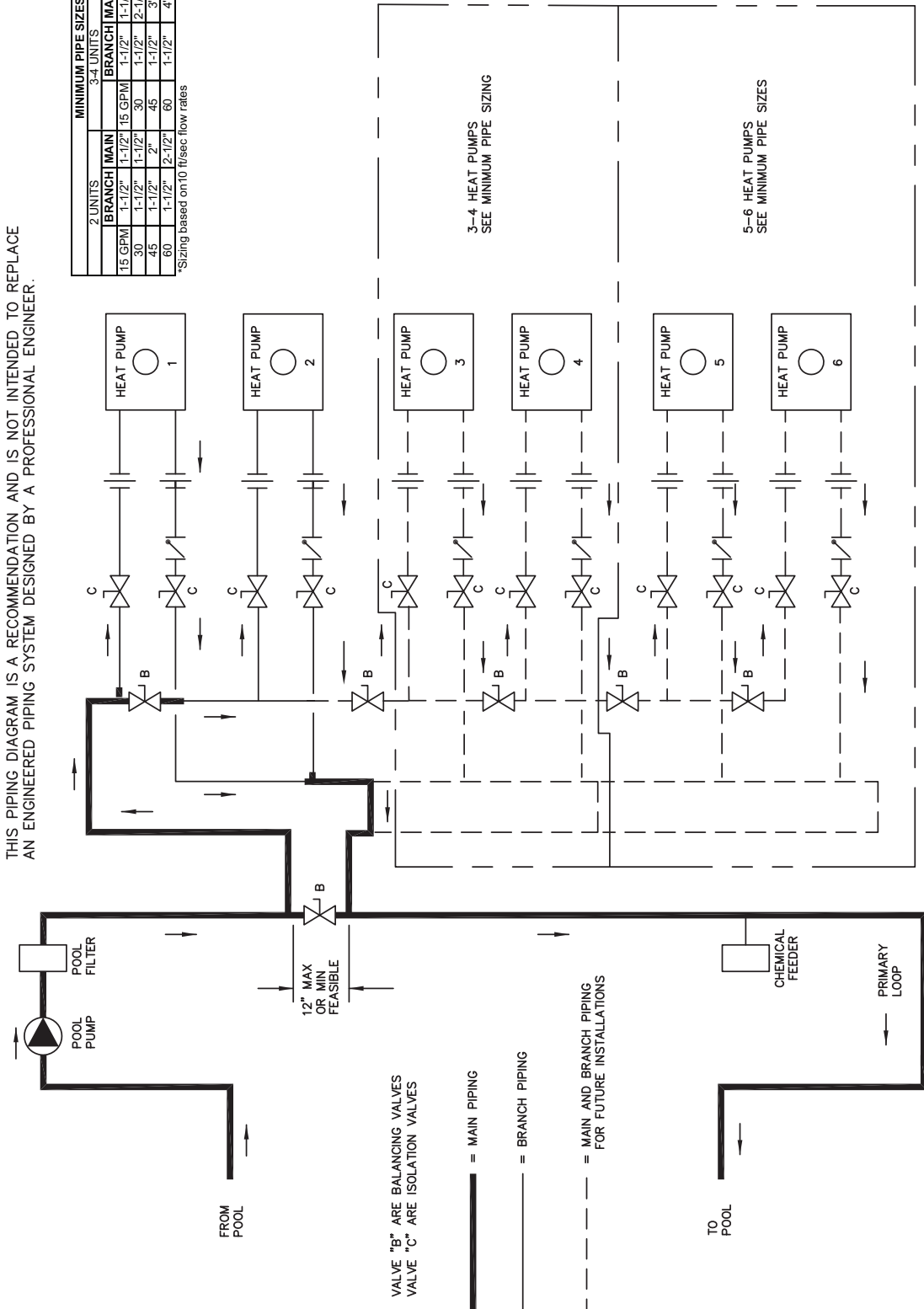
△5 HEAT PUMP MUST BE INSTALLED IN ACCORDANCE WITH SUPPLIER'S INSTRUCTIONS INCLUDING, BUT NOT LIMITED TO, PROTECTION AGAINST OVERHEATING AND/OR FREEZE-UPS.

Fig. 7: Pool Piping for Heat Pump Pool Heater and Gas Pool Heater

THIS PIPING DIAGRAM IS A RECOMMENDATION AND IS NOT INTENDED TO REPLACE AN ENGINEERED PIPING SYSTEM DESIGNED BY A PROFESSIONAL ENGINEER.

2 UNITS		3-4 UNITS		5-6 UNITS	
BRANCH	MAIN	BRANCH	MAIN	BRANCH	MAIN
15 GPM	1-1/2"	1-1/2"	1-1/2"	1-1/2"	1-1/2"
30	1-1/2"	1-1/2"	2-1/2"	2-1/2"	3"
45	1-1/2"	2"	3"	3"	4"
60	1-1/2"	2-1/2"	4"	4"	4"

*Sizing based on 10 W/sec flow rates



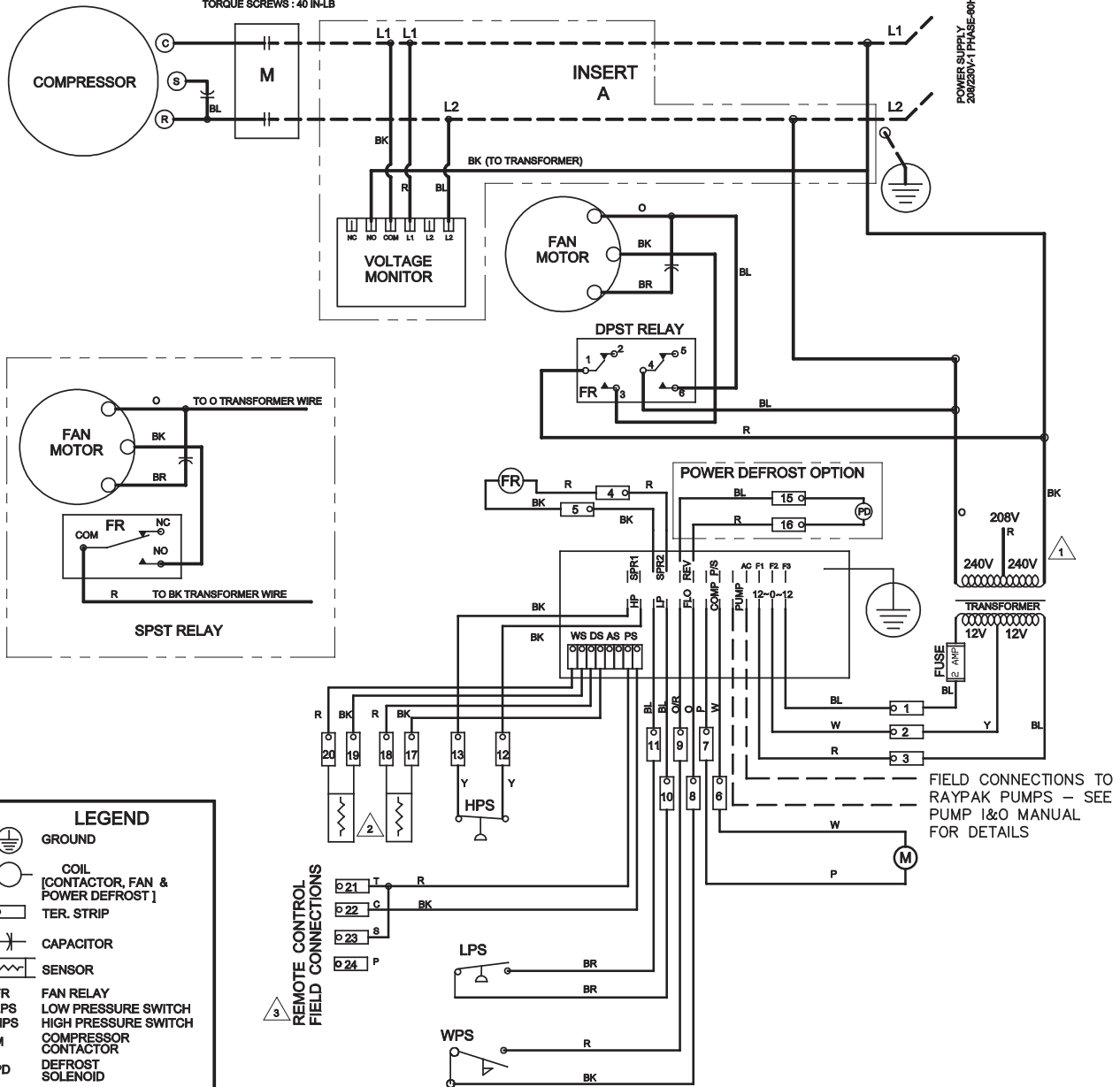
HEAT PUMP SHOWN REPRESENT VARIOUS MODELS BECAUSE INDIVIDUAL MODELS WILL VARY IN DESIGN AND SIZING. SEE EACH SPECIFIC HEAT PUMP TYPE FOR DETAILS.

- NOTES:
1. PLUMB SWING CHECK VALVE IN GRAVITY-CLOSED POSITION.
 2. MINIMUM PIPE SIZE MUST BE EQUAL TO THE HEATER INLET/ OUTLET SIZE.

Fig. 8: Pool Piping for Heat Pump Pool Heaters, Multiple, Primary/Secondary

Wiring Diagram - 208V/230V Single-Phase

USE COPPER CONDUCTORS ONLY
USE 75 ° C 800 V WIRE
TORQUE SCREWS : 40 IN-LB



LEGEND

- GROUND
- COIL [CONTACTOR, FAN & POWER DEFROST]
- TER. STRIP
- CAPACITOR
- SENSOR
- FR FAN RELAY
- LPS LOW PRESSURE SWITCH
- HPS HIGH PRESSURE SWITCH
- M COMPRESSOR CONTACTOR
- PD DEFROST SOLENOID
- WPS WATER PRESSURE SWITCH

WIRING INFORMATION

LINE VOLTAGE
FACTORY STANDARD ———
FIELD INSTALLED - - - - -

LOW VOLTAGE
FACTORY STANDARD ———

4. SET VOLTAGE PROTECTION BLUE DIAL TO SUPPLIED VOLTAGE (230V FACTORY SETTING).
USE 210V SETTING FOR 208V SUPPLY VOLTAGE (IN FIELD ADJUSTMENT).
SET TIME DELAY BLUE DIAL TO 0.1 MINUTE.
3. FOR 2 WIRE REMOTE CONTROL: USE TERMINALS 21 & 22
TO ATTACH 2 WIRE CONTROL SYSTEMS THAT HAVE THEIR
OWN SENSORS FOR TEMPERATURE CONTROL.
SET POOL TEMPERATURE TO OFF AND SPA TEMPERATURE TO 104°.
2. SENSOR RATED @:
75° 10.5K
77° 10K
84° 8.50K
1. TRANSFORMER WIRED FOR 240V, BLACK & ORANGE WIRES FOR 240V,
BLACK & RED WIRES FOR 208V.

NOTES:

CHECKED BY:
APPROVED BY:
ORIG E.O. 4704
12/23/10
CHG E.O. 5080
05/15/13

WIRING DIAGRAM—1 PHASE DIGITAL CONTROL

INPUTS: 208/230V 1PH 60Hz

SIZE: 2350/3350/4350 TYPE: DIGITAL

KEY	
GY	GRAY
BK	BLACK
BR	BROWN
BL	BLUE
G	GREEN
O	ORANGE
R	RED
V	VIOLET
W	WHITE
Y	YELLOW
P	PINK
PR	PURPLE

0080010 5

Raypak, Inc., 2151 Eastman Avenue, Oxnard, CA 93030 (805) 278-5300 Fax (805) 278-5468
Heat Pump Service 1-800-260-2758
Litho in U.S.A.