

HI DELTA[®]

POOL HEATER

BUILT-IN
RELIABILITY

SMARTER
CONTROLS

MULTI-FUNCTIONAL
DESIGN



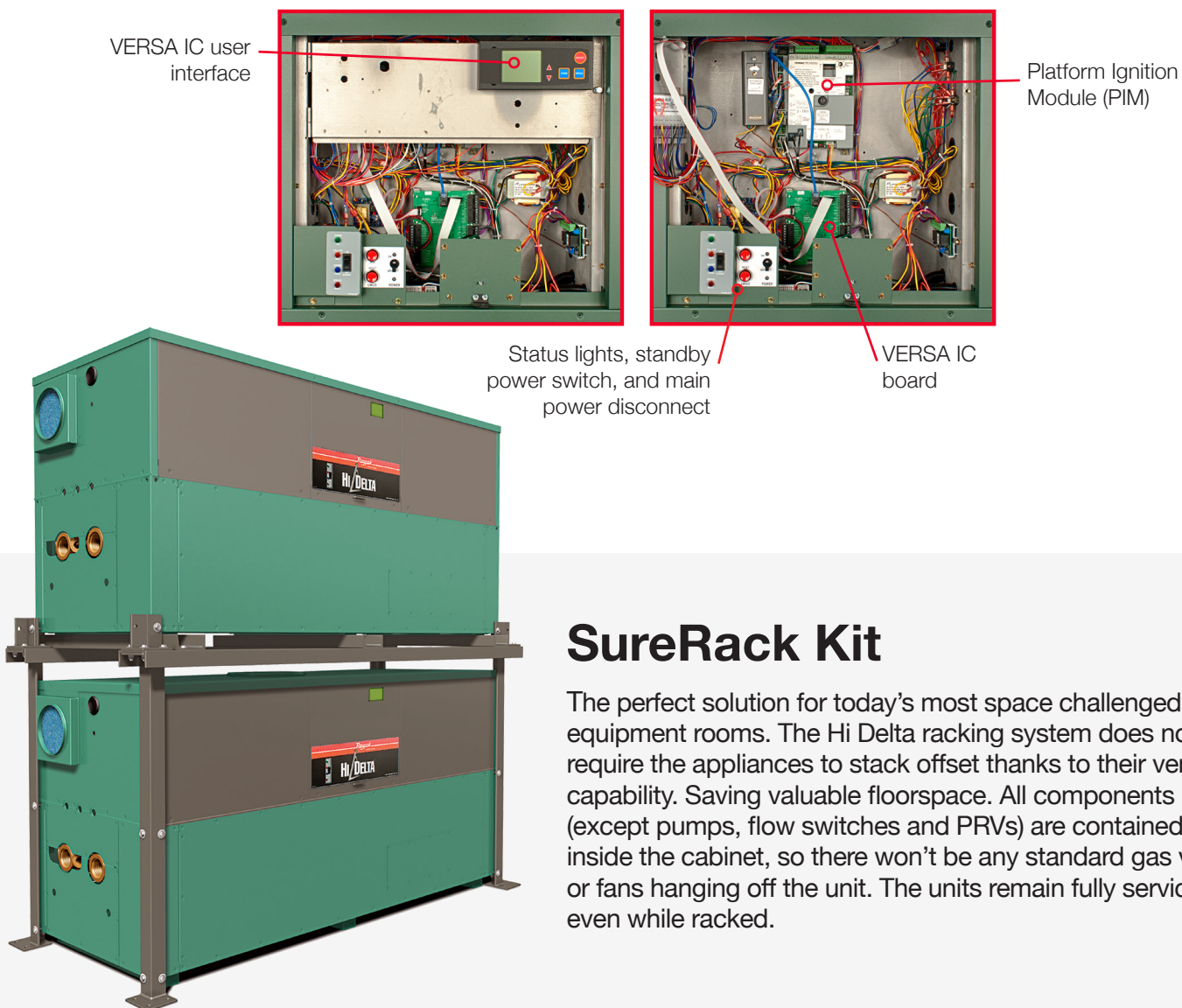
Raypak[®]
A Rheem[®] Company

ENGINEERED TO PERFORM.

Commercial pool heater is durable under the most challenging of conditions.

Raypak's Hi Delta is easy to install, operate and service. The Hi Delta has a patented burner with an innovative design that provides an optimized air-gas pathway for complete combustion. This makes the Hi Delta the most adaptable sealed-combustion heater on the market today. The touch panel display on the Hi Delta includes onboard diagnostics. In the event of any system problems, technicians can quickly review the fault history of the unit.

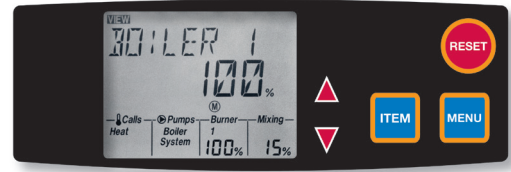
The Hi Delta product family covers the full spectrum of both indoor and outdoor applications including pool and spa heating, apartments complexes, gyms, schools, day spas, aquatic centers, hotels, and resorts. When installed indoors, the Hi Delta's versatility is revealed via smaller vent diameters, direct-venting capability, and the convenience of stacking to decrease the footprint for multiple appliances.



BUILT TO LAST.

VERSA IC intelligence and diagnostics.

VERSA IC merges safety, ignition, temperature control, multi-unit cascade, outdoor reset, and freeze protection. Plus system monitoring, diagnostics, and BMS transmission all in one Integrated Control Platform. Easy front access to read, set up and troubleshoot on a 3.5" LCD screen. The entire package is CSA certified, and listed for each individual function.



Inlet and outlet sensors factory installed in heater. Remote sensor for system included. BMS all point diagnostics transmission port. 0-10VDC set point input standard. Can drive and monitor external motorized auxiliaries such as extractors and louvers. Additional connections for auxiliary functions, indirect DHW, and dry contact remote alarm relay are provided.



Indoor or Outdoor

Safety certified for indoor/outdoor installation. Every Hi Delta is direct vent capable and comes standard with an outdoor intake air cover.

Weatherproof Jacket

Heavy gauge galvanized steel with a UV-resistant powder coat finish is impervious to weather and corrosion.

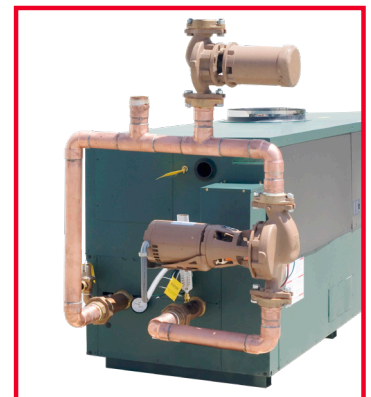


Maximum Performance

Reduce operating costs and heat your pool quicker with 83.1% thermal efficiency. Enhance your capability and flexibility. Up to 8 heaters can be cascaded in parallel or sequential modulation modes along with interstage delay settings giving you precise control and optimization of your pool heater system.

Cold Water Run System

The Hi Delta comes with a factory mounted and plumbed Cold Water Run system, which provides constant protection against condensation in the non-condensing heat exchanger and maintains optimum inlet temperatures. CWR system utilizes a variable-speed pump to inject just the right amount of water from the main system loop into the heater to maintain the optimum inlet temperature.



Cold Water Run System



Easy To Connect

The Hi Delta high voltage wiring center is located on the rear of the heater. All incoming line voltage and pump wiring are contained away from the 24V control wiring. Wiring the heater is simple and straightforward.



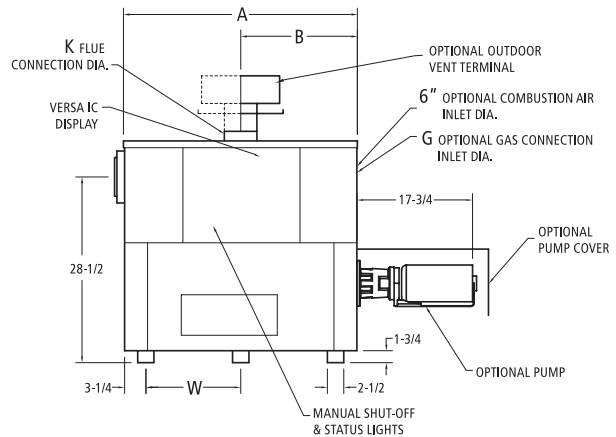
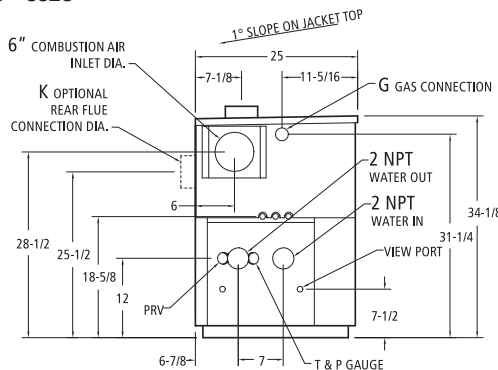
Hi Delta Pool Heaters Models 502C - 2342C

Model	MBTUH (kW/h)		Dimensions in. (mm)			Shipping Weight lbs. (Kg)	Amps ³ w/Pump
	Input ¹	Output 83.1% ²	A Width	K Flue ø	W		
502C	500 (146)	416 (121)	50 (1270)	6 (152)	22 (558)	655 (297)	<13
652C	650 (190)	540 (158)	60-1/2 (1536)	8 (203)	27-1/4 (692)	755 (342)	<13
752C	750 (219)	623 (182)	67-1/2 (1714)	8 (203)	30-3/4 (781)	815 (370)	<13
902C	900 (263)	748 (219)	78 (1982)	8 (203)	36 (914)	905 (410)	<14
992C	990 (290)	842 (247)	57-1/8 (1451)	10 (254)	16-13/16 (427)	1000 (453.5)	<16
1262C	1260 (369)	1071 (314)	68-1/2 (1740)	12 (305)	20-9/16 (522)	1055 (478.5)	<16
1532C	1530 (448)	1301 (381)	79-7/8 (2029)	12 (305)	24-3/8 (619)	1225 (555.6)	<12
1802C	1800 (528)	1530 (448)	91-1/8 (2315)	14 (356)	28-1/8 (714)	1350 (612.2)	<12
2002C ⁴	1999 (586)	1699 (498)	102-1/2 (2604)	14 (356)	31-15/16 (811)	1450 (657.6)	<12
2072C	2070 (607)	1760 (516)	102-1/2 (2604)	14 (356)	31-15/16 (811)	1450 (657.6)	<12
2342C	2340 (686)	1989 (583)	113-7/8 (2892)	16 (406)	35-11/16 (906)	1520 (689.3)	<12

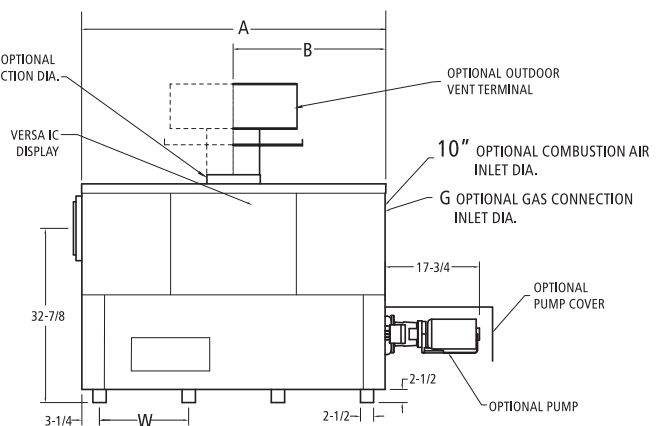
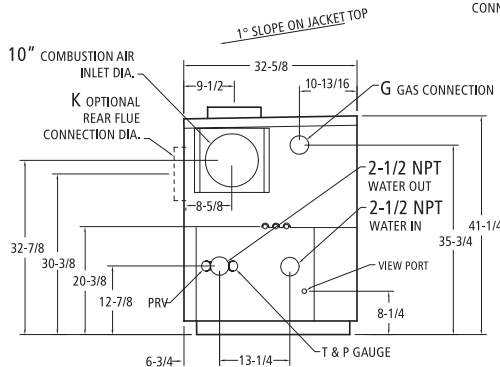
Heater Side	Indoor		Outdoor	
	Minimum	Service	Minimum	Service
Floor ⁵	0"	0"	0"	0"
Rear	1"	6"	12"	6"
Water side	12"	24"	36"	36"
Other side	1"	24"	36"	36"
Top	1"	6"	Unobstructed	36"
Front	Open	24"	Open	24"
Vent	2"	2"	N/A	N/A

¹ Ratings for models 502C-2342C for natural or propane gas and for elevations up to 4,500 ft. above sea level. For higher elevations, consult the factory.
² See Hi Delta product submittal sheets for 83.1% efficiency data.
³ Current draw is for heater only. (Supply breaker must have a delayed trip.)
⁴ Natural gas only. Not available for propane.
⁵ Do not install on carpeting.

For Models 502C - 902C



For Models 992C - 2342C



www.raypak.com

2151 Eastman Avenue | Oxnard, CA 93030 | 805-278-5300

Litho in U.S.A. ©2020 Raypak, Inc. 6000.24 Effective 12-01-20 Replaces NEW