

PROFESSIONAL GAS POOL AND SPA HEATER

STAINLESS STEEL
DESIGN AND
CONSTRUCTION

DYNAMIC
SELF-DIAGNOSTIC
CONTROLS

FEATURING
PROTEK SHIELD™



Raypak®
A Rheem® Company

RELAXATION

Professionally Designed and Built

The Raypak Professional Pool and Spa Heater is designed specifically for commercial properties and is the perfect choice for apartment, condo complexes and gyms, hotels, schools, parks and community pools. It is designed and built to be both durable and reliable. It is the best heater for tough coastal weather conditions where salt air challenges durability.

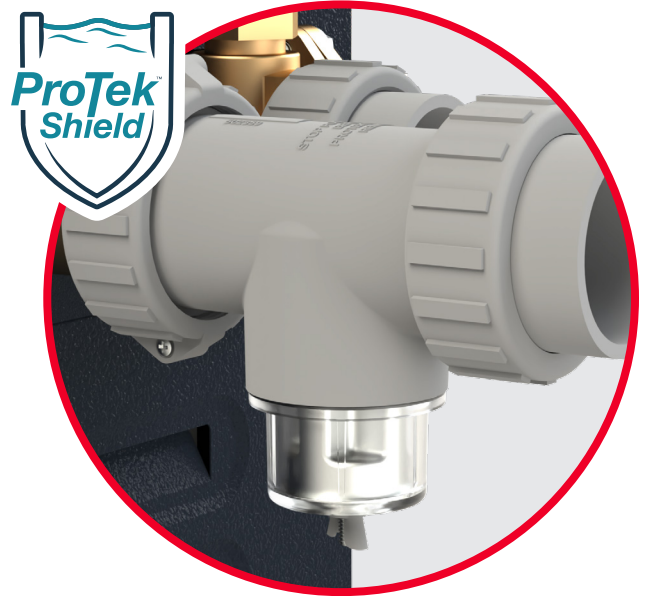


STARTS HERE.

ProTek Shield

ProTek Shield is a cutting-edge module that protects the heat exchanger and extends the life of your Raypak Professional Gas Pool and Spa Heater. Rest, soak or swim knowing that your pool heater investment can be enjoyed even longer thanks to this innovative, patent-pending technology.

- Excellent for use in chlorinated and salt water pools
- Engineered to take the brunt of the corrosion that naturally occurs over time (erosion of the ProTek Shield means it's working!)
- Utilizes breakthrough patent pending technology
- Compact design
- Easy to replace, saving you time and money
- Included on all models¹



More Amazing Features



Heat Exchanger

Our Professional Gas Pool and Spa Heater is built with cupronickel fin tubes and ASME bronze headers, which provide the strength needed to meet commercial code requirements.



Flow Switch

The Professional Pool and Spa Heater comes assembled with a flow switch and is Texas Boiler Code compliant out of the box. The flow switch in conjunction with the heater eliminates pressure issues from elevated pools.



Flexible Installation

Whether upgrading your existing system or adding a new pool or spa to your property, the Raypak Professional Gas Pool and Spa Heater offers you flexible installation solutions.

Bonus: The self-adjusting burner compensates for gas pressure fluctuations, ensuring that the heater will always burn clean and safe.

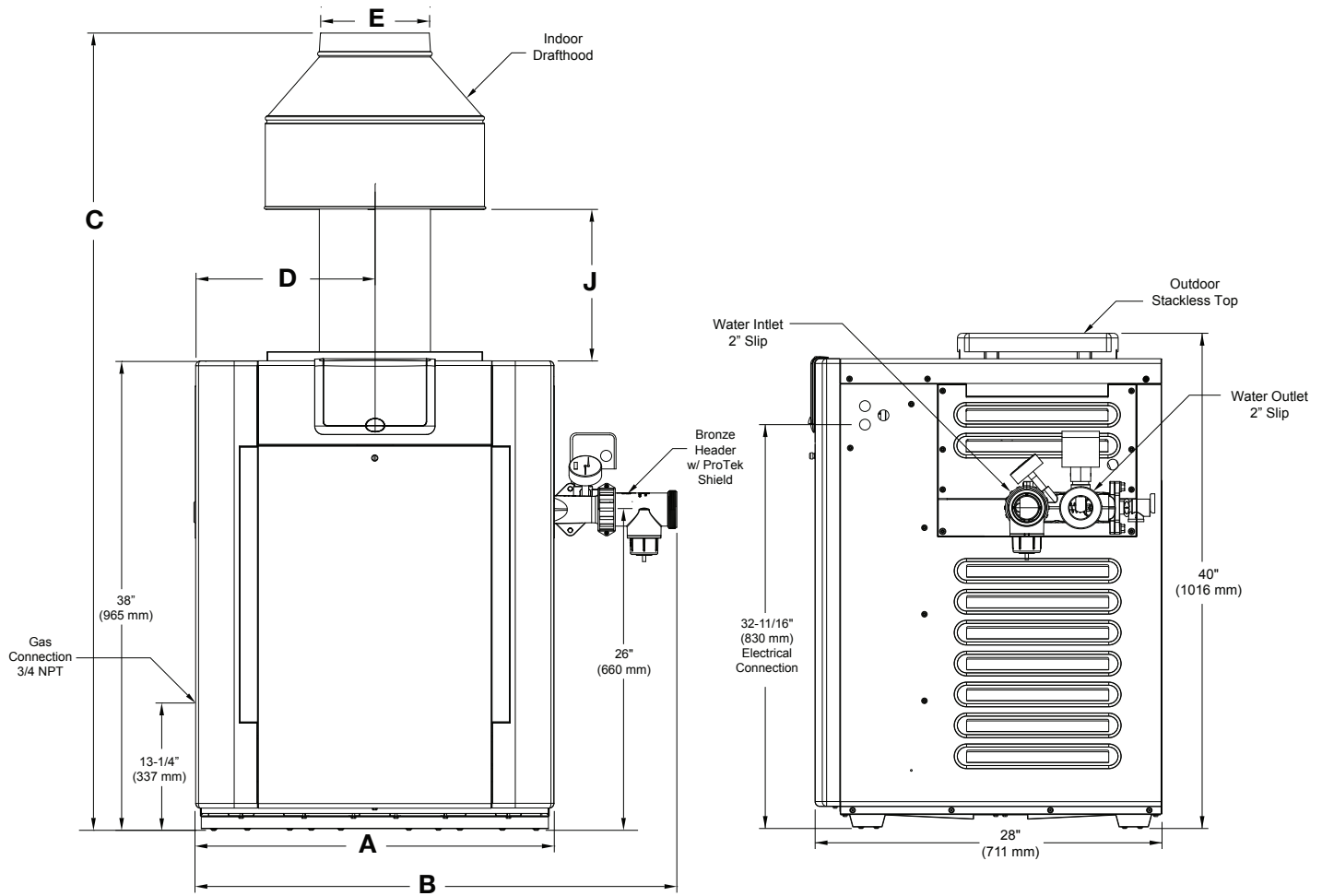


Digital Controls

Equipped with an intelligent control system that can easily be tied into an existing remote system, our heater also features a microprocessor-controlled thermostat for setting the perfect temperature for your pool or spa.

¹ ProTek Shield field installation kits available for existing Professional Gas heaters.

Professional Gas Models 268A & 408A



Model	MBTUH (kWh)	Dimensions in. (mm)						Est. Shipping Weight Lbs. (kg)	
	Cupronickel Input	A Cabinet Width	B	C Indoor	D	E Flue ϕ	J Minimum	w/ Bronze Headers and Stackless Top	Indoor Draft Hood
268A	266 (78)	23 (584)	32-7/8 (835)	62 (1575)	11-1/2 (292)	7 (178)	11 (279)	229 (104)	16 (7)
408A	399 (117)	29 (737)	38-7/8 (987)	64-9/16 (1640)	14-1/2 (368)	9 (229)	12-1/8 (308)	268 (122)	21 (10)

Models	Amp Draw	
	120VAC	240VAC
268A & 408A	4	2

Designation for a Professional heater using propane gas is "EP"; a Professional heater using natural gas is "EN".
 Prefix "B" is for bronze (ASME) headers.
 Suffix "X" is for cupronickel tubing
 Example: B-R408A-EN-X = Bronze headers, 408 model size, digital, natural gas, cupronickel
 Reduce input 4% for each 1000 feet above sea level when installed above 2000 feet elevation.
 Heater can be installed directly on a combustible surface.



www.raypak.com

2151 Eastman Avenue | Oxnard, CA 93030 | 805-278-5300

Litho in U.S.A. ©2020 Raypak, Inc. 6200.13E Effective 11-01-20 Replaces 02-15-20