



CHLORINE / BROMINE HIGH CAPACITY COMMERCIAL FEEDER

Model HC 3315, 3330 & 3340

FEATURES:

- ◆ Extra large capacity models.
- ◆ For use with Tricolor or Bromine tablets.
- ◆ No special venting required.
- ◆ Completely enclosed - no escaping gases.
- ◆ Positive external no - clog control valve.
- ◆ No equipment damage. Feeds sanitizer directly to pool.

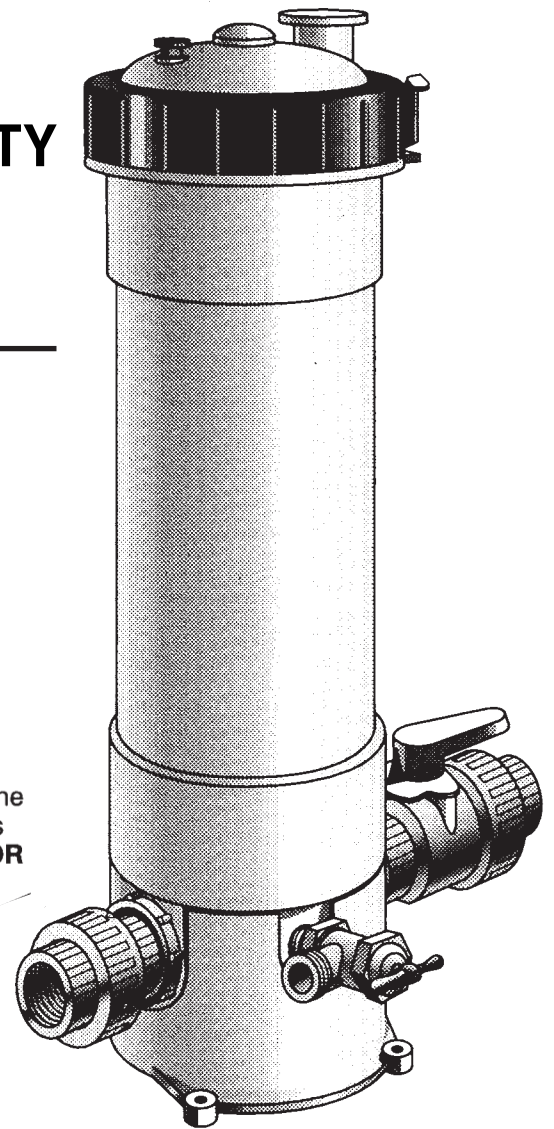
⚠ DANGER

READ CAREFULLY

It is important to read all information **BEFORE** proceeding with the installation. The information will guide you in installing your feeder properly and to avoid problems due to improper installation. **IF INSTRUCTIONS ARE NOT FOLLOWED. FIRE OR EXPLOSION MAY RESULT CAUSING PROPERTY DAMAGE OR PERSONAL INJURY.**

IF YOUR POOL HAS COPPER PLUMBING...STOP! Never install feeder into copper plumbing as pipe damage could occur.

NOTE: If a heater is used, a **FIREMAN'S SWITCH** or equivalent must be installed to prevent possible damage and improper operation of **CHECK VALVE** and other equipment subject to heat damage.



INSTALLATION

This feeder is designed for hard plumbing installation using 1" PVC pipe and includes standard threaded inlet and outlet fittings. It operates by pressure differential which circulates through the feeder. The inlet line, (control valve side of feeder) connects to the plumbing between the pump and filter. The outlet side of the feeder connects to pool return line after the filter and/or heater, pool cleaner, diverter valves or any other piece of equipment (if installed). A corrosion resistant check valve such as Rainbow's R172288 should be installed between the feeder inlet and outlet and the equipment to help prevent equipment damage. **DAMAGE TO THE HEATER OR OTHER EQUIPMENT COULD RESULT FROM A HIGH CONCENTRATION OF SANITIZER BACK FLOWING INTO IT WHEN PUMP IS SHUT OFF.** It is recommended that feeder be bolted down.

OPERATING INSTRUCTIONS

Exercise extreme caution when operating or servicing feeder. **NEVER OPEN FEEDER WHEN PUMP IS RUNNING. DO NOT INHALE FUMES,** especially in hot weather which can create more gases. Wear protective gear. Follow chemical manufacturer's instructions for handling the chemical. Before start up of feeder your pool should be properly conditioned and the chlorine residual should be 1.0 to 1.5 ppm (Bromine 2.0 to 4.0 ppm). Consult your local dealer for water conditioning information in your area. Because the sanitizer demand in your pool is dependent on many factors (sunlight, high temperatures, bather load, etc.) your valve setting may have to be changed from time to time to adjust to these conditions. When possible, increase the feed rate a day or two in advance. The recommended start up setting is #1. Use a test kit to determine the sanitizer residual. It is recommended that the sanitizer residual be checked daily for the first 5 days to find the ideal setting. **NOTE:** Higher numbers dispense more chemical. Small gradual changes are imperative for control.

⚠ DANGER

READ CAREFULLY

This feeder is designed to use only **CLEAN** Trichlor-s-trizinetriene OR **CLEAN** Bromine tables - slow dissolving type. Never use dirty tablets. **UNDER NO CIRCUMSTANCES MIX** Trichlor or Bromine with Calcium Hypochlorite, with other forms of concentrated chlorine or with other chemicals. Keep inside of feeder clean of dirt and debris at all times. **FIRE AND/OR EXPLOSION MAY RESULT.**

NEVER use oils or grease to lubricate o-ring. Oil in contact with Trichlor OR Bromine may result in **FIRE**. Lubricate o-ring with Lifeguard Silicone o-ring Lubricant **ONLY**, available at your dealers. If shock treatments or Algaecides containing chemicals other than sanitizers tablets in feeder must be used, turn off Feeder OR remove tablets until the shock or Algae treatment is complete and all granules have dissolved. Failure to do so may result in granules mixing in feeder causing **FIRE AND/OR EXPLOSION**. The shock or algae treatment dissolved in water is safe with tablets. If you are not the original owner of this feeder, not sure which chemicals was used, or if dirt and/or debris inside feeder, be **SAFE** and flush thoroughly with fresh water. **CAUTION SHOULD BE USED WHEN REMOVING CAP. DO NOT INHALE FUMES.**

CALCIUM HYPOCHLORITE IS NOT TO BE USED IN ANY FORM. Use of chemicals other than those recommended by manufacturer may be hazardous.



CHARGING INSTRUCTIONS

Exercise extreme caution when operating or servicing feeder. **DO NOT INHALE FUMES**, especially in hot weather which can create more gases. Wear protective gear. Follow chemical manufacturer's instructions for handling the chemical.

1. Shut off pump and close control valve. Wait one minute. If feeder is below water level, before opening drain valve, be sure to close any in-line valve(s) to prevent back flow. Open vent valve on top of lid. Open drain valve on bottom of feeder. (Always drain water into plastic container and then pour contents back into pool.)

2. Close drain valve. Then depress lock spring and unscrew lock ring counter-clockwise. Remove lid and fill with proper size chlorine or bromine slow dissolve tablets.

3. Before replacing lid, clean and lubricate o-ring with Lifeguard Silicone Lubricant only. Push lid firmly into position. Close vent valve. Thread on lock ring clockwise until lock spring snaps into place. Do not force lock ring past lock spring.

4. Open any in-line valve(s) and turn on pump and timer switches.

5. Adjust control valve to desired setting.

⚠ WARNING During no flow through feeder, potential for elevated chemical concentrations and hazardous gas introduction exists.

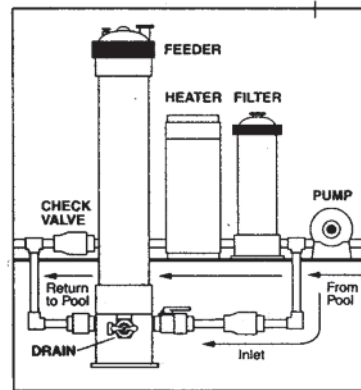
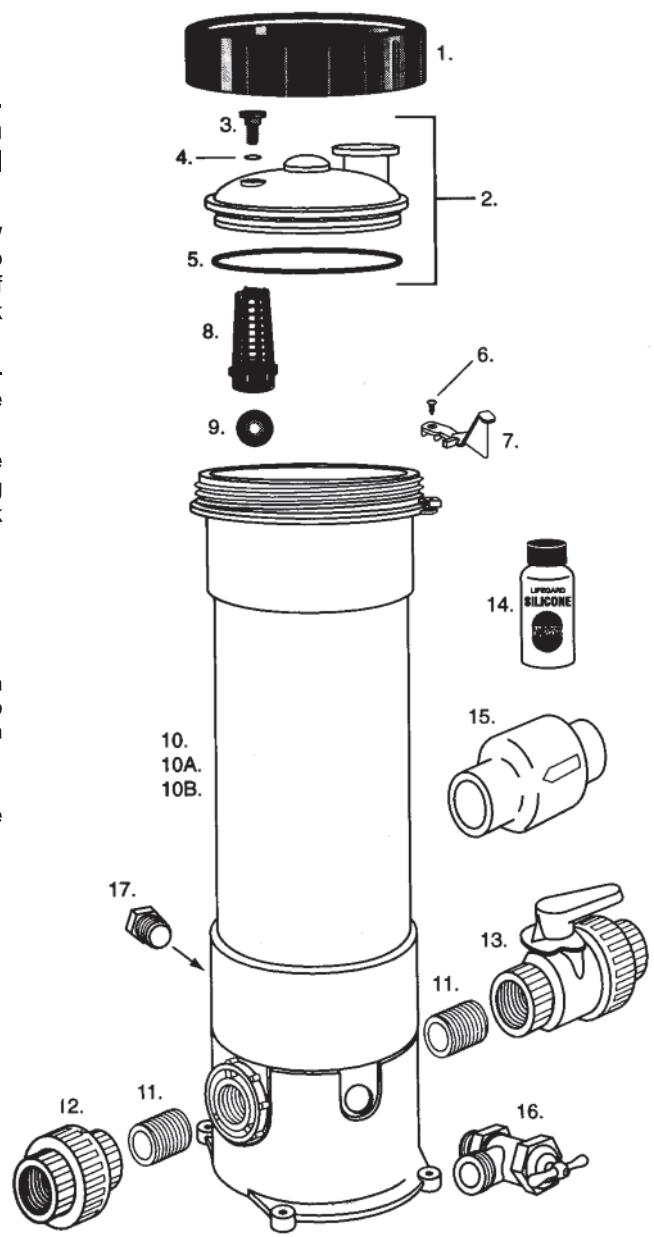
NOTE: If isolation valves are used anywhere in the system, you must remember to open them before start-up. To prevent gas buildup and pressure in feeder, be sure to keep return line valve(s) open, except when opening or servicing unit. Close control valve when adding other chemicals to your pool, vacuuming, backwashing or adding DE to filter.

WINTERIZING

If feeder is subject to freezing, drain all water from chamber. Carefully remove any undissolved tablets. Rinse out feeder with water, replace lid with vent valve slightly open and keep unit covered all winter.

PARTS LIST

Item	Qty	Part No.	Description
1	1	R172214	Lock Ring
2	1	R172385D	Lid Assembly Complete
3	1	R172224X	Vent Valve
4	1	R172221	O-Ring Valve
5	1	R172240	O-Ring Lid to Housing
6	1	R172375	Lock Screw
7	1	R172374	Lock Spring
8	1	R175251	Screen
9	1	R172435	Check Ball
10	1	R172436	HC 3315 Housing w/stand
10A	1	R172437	HC 3330 Housing w/stand
10B	1	R172438	HC 3340 Housing w/stand
11	2	R270484	1" Close Nipple
12	1	R270531	1" Threaded Union
13	1	R172439	Control Valve
14	1	R172036	Silicone Lubricant
15	Optional	R172288	1½" - 2" Check Valve
16	1	R175009	½" Drain Valve
17	1	R172134	½" Threaded Plug
	Optional	R172082	Flow Rate Indicator



PERFORMANCE DATA SPECIFICATION*

MODEL	Capacity (Lbs.)	Tested Flow rate @100% Setting(GPM)	Output Rate (lbs/hr) @100% Setting*				Maximum Pool Size (10PPM) @ 34 GPM		Cl Tested Flow rate @50% Setting(GPM)	Output Rate (lbs/hr) @50% Setting*		Br Tested Flow rate @50% Setting(GPM)	Output Rate (lbs/hr) @50% Setting*	
			Cl-Pool	Cl-Spa	Br-Pool	Br-Spa	Trichlor	Bromine		Cl-Pool	Cl-Spa		Br-Pool	Br-Spa
HC-3315	15	34	2.8	4.8	0.5	1.0	224,000	38,690	17.8	2.1	1.8	25	0.4	0.6
HC-3330	30	34	4.6	7.9	1.1	2.2	369,000	65,556	17.8	3.4	3.0	25	0.8	1.2
HC-3340	40	11.5	3.0	5.7	0.6	1.4	658,533	105,176	9.2	2.6	5.4	9	0.5	1.2

Maximum Working Pressure - 50 PSI

* Results based on use of 1" BioGuard® bromine tablets and 1" HTH chlorine tablets.



To be NSF listed, a flow rate indicator such as #R172082 must be installed on inlet line.

Output rating for Bromine is not NSF certified.

Technical Support: (800) 831-7133

1620 HAWKINS AVE., SANFORD, NC 27330 • (919) 566-8000
10951 WEST LOS ANGELES AVE., MOORPARK, CA 93021 • (805) 553-5000
WWW.PENTAIRPOOL.COM

© 2015 Pentair Aquatic Systems. All rights reserved.
This document is subject to change without notice.

All Pentair trademarks and logos are owned by Pentair, Inc. Pentair Aquatic Systems™ are trademarks and/or registered trademarks of Pentair Water Pool and Spa, Inc. and/or its affiliated companies in the United States and/or other countries. Unless expressly noted, names and brands of third parties that may be used in this document are not used to indicate an affiliation or endorsement between the owners of these names and brands and Pentair Water Pool and Spa, Inc. Those names and brands may be the trademarks or registered trademarks of those third parties. Because we are continuously improving our products and services, Pentair reserves the right to change specifications without prior notice. Pentair is an equal opportunity employer.

P/N 24001 REV E 3/15

