

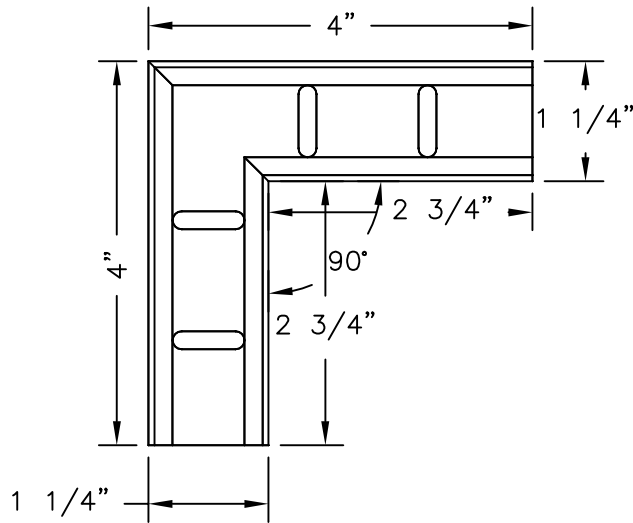
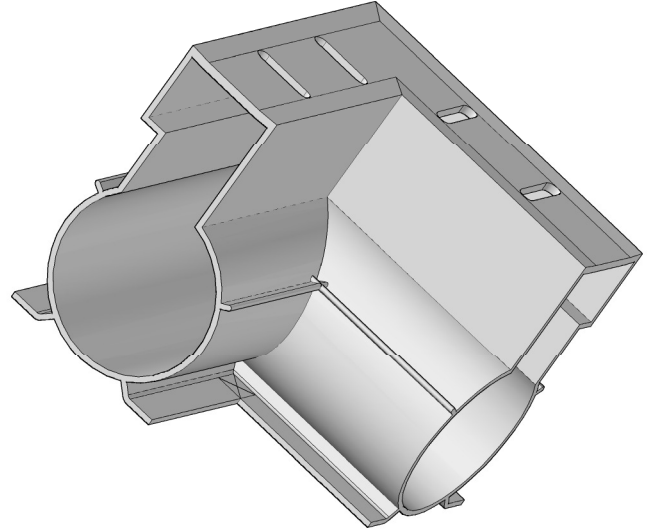


Name: DECK DRAIN-A-WAY® 90° INSIDE FITTING

Number: QP-3704

250 Route 61 South, Schuylkill Haven, PA 17972 • 570-385-4733 • fax: 570-385-1318 • CustomerService@CardinalSystemsInc.com

NOTE: DETAIL NOT TO SCALE



Date: 8/7/13

Scale: 1/2" = 1"

Notes: AVAILABLE COLORS - WHITE, GRAY, AND TAN



CardinalSystemsInc.com

This information is the confidential property of Cardinal Systems, Inc. Disclosure or duplication without proper written approval is strictly prohibited. Acceptance and use of this drawing constitutes knowledge and acceptance by the user of the terms and conditions set forth in the notice and warning which accompanied this drawing is incorporated herein and made part hereof and is found on Cardinal Systems, Inc's website at www.CardinalSystemsInc.com