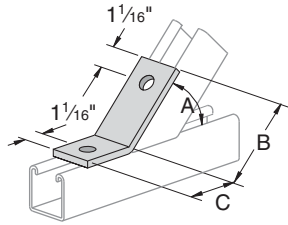


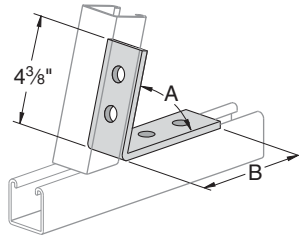
PS 633 – Two-Hole Open Angle Connector



"A" Degree	"B" In.	"C" In.
82½°	3¾"	1 11/16"
75°	3¾"	
67½°	3½"	1¾"
60°	3¾"	1 7/8"
52½°	3¼"	2 1/16"
45°	3"	2 5/16"
37½°	2 11/16"	2 5/8"
30°	3¼"	2 1/16"
22½°	3 5/16"	
15°	3 5/16"	
7½°	3 5/16"	

Weight/100 pcs: 58 lbs.

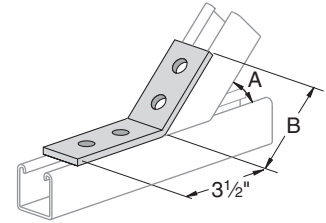
PS 793 – Four-Hole Closed Angle Connector



"A" Angle	"B" In.
37½°	4 7/8"
45°-	4 15/16"
52½°	
60°	5"
67½°	5 1/16"
75°	
82½°	

Weight/100 pcs: 100 lbs.

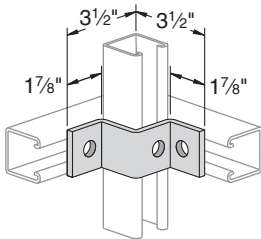
PS 781 – Four-Hole Open Angle Connector



"A" Angle	"B" In.
7½°	3¾"
15°	
22½°	
30°	3 11/16"
37½°	
45°	
52½°	
60°	3 5/8"
67½°	
75°	
82½°	

Weight/100 pcs: 78 lbs.

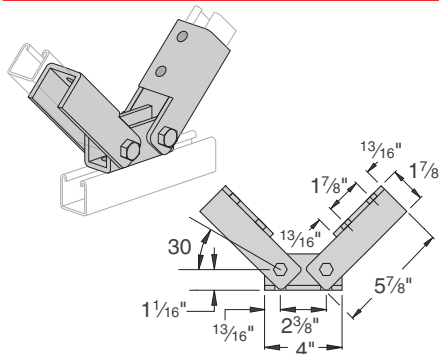
PS 2054 – Corner Connector



Use With: PS 200, PS 210

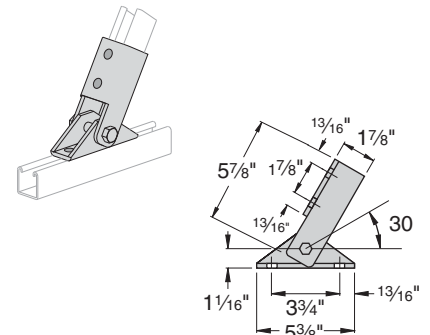
Weight/100 pcs: 66 lbs.

PS 9401 – Double Adjustable Brace



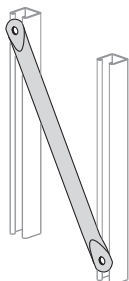
Weight/100 pcs: 307 lbs.

PS 9400 – Adjustable Brace



Weight/100 pcs: 307 lbs.

PS 810 – Diagonal Tube Brace

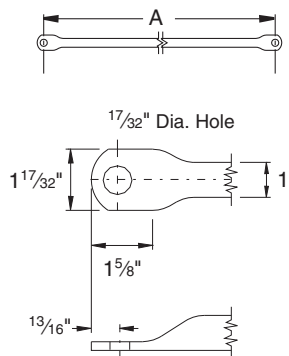


Part No.	A Size	Wt./100 pcs
PS 810 36	3'-0"	205
PS 810 42	3'-6"	237
PS 810 48	4'-0"	270

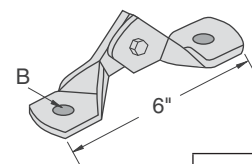
Note: 30° to 60° angle between the brace and channel is recommended for maximum effect.

Material: 1" dia. electric welded tubing

Stock Thickness: (.075) 14 ga.



PS 9402 – Two-Hole Hinge Connector



"B" Bolt Size	Wt./100 pcs
½"	108
5/8"	107
¾"	106