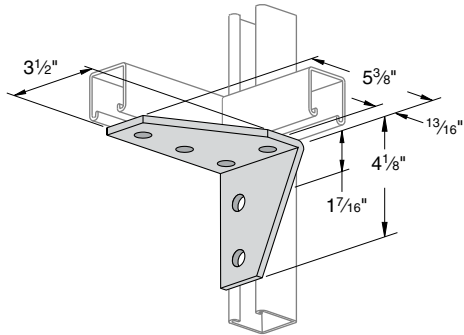


FITTINGS

Finish: Painted Green or Electro-galvanized Order By: No., Size and Finish

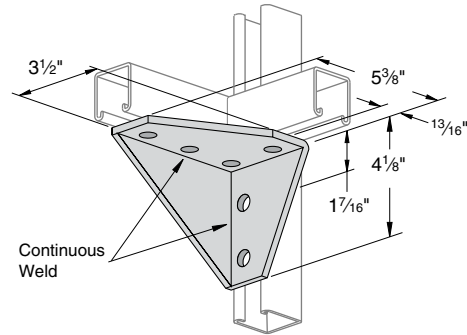
PS 2007 R or L – Six-Hole Corner Connector



NOTE: Specify R (Right) or L (Left)
Right Hand Illustrated

Weight/100 pcs: 160 lbs.

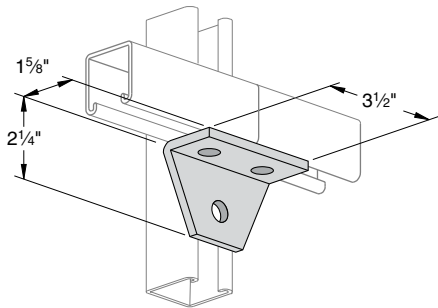
PS 3326 R or L – Six-Hole Gussetted Corner Connector



NOTE: Specify R (Right) or L (Left)
Right Hand Illustrated

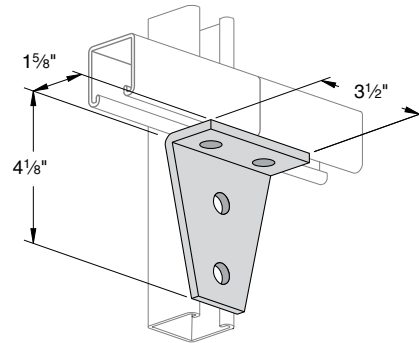
Weight/100 pcs: 230 lbs.

PS 746 – Three-Hole Corner Joint Connector



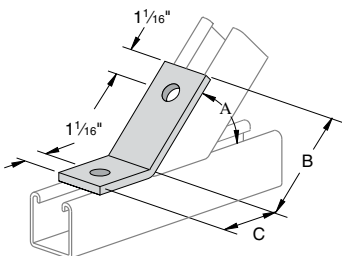
Weight/100 pcs: 70 lbs.

PS 748 – Four-Hole Corner Joint Connector



Weight/100 pcs: 105 lbs.

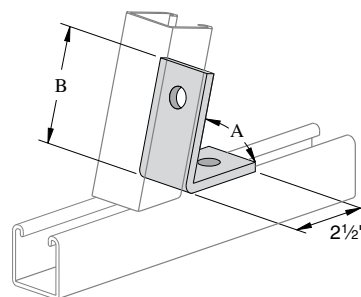
PS 633 – Two-Hole Open Angle Connector



"A" Degree	"B" In.	"C" In.
82½°	3 9/16	1 11/16
75°	3 9/16	1 11/16
67½°	3 1/2	1 3/4
60°	3 3/8	1 7/8
52½°	3 1/4	2 1/16
45°	3	2 5/16
37½°	2 11/16	2 5/8
30°	3 1/4	2 1/16
22½°	3 5/16	2 1/16
15°	3 5/16	2 1/16
7½°	3 5/16	2 1/16

Weight/100 pcs: 58 lbs.

PS 624 – Two-Hole Closed Angle Connector



"B" In.	"A" Angle
3"	37½°
3 1/8"	45°
3 1/16"	52½°
3 1/8"	60°
3 1/8"	67½°
3 3/16"	75°
3 3/16"	82½°

Weight/100 pcs: 58 lbs.