

WhisperFlo® Pump Owner's Manual

IMPORTANT SAFETY INSTRUCTIONS READ AND FOLLOW ALL INSTRUCTIONS SAVE THESE INSTRUCTIONS

Table of Contents

SECTION I.	GENERAL INFORMATION	2
SECTION II.	MAINTENANCE	3
SECTION III.	SERVICE	5
SECTION IV.	RESTART INSTRUCTIONS	6
SECTION V.	TROUBLESHOOTING	7
SECTION VI.	TECHNICAL DATA	8
A.	REPLACEMENT PARTS	8
B.	PUMP CURVES	9

WARNING

Before installing this product, read and follow all warning notices and instructions accompanying this pump. Failure to follow safety warnings and instructions can result in severe injury, death, or property damage. Call (800) 831-7133 for additional free copies of these instructions.

Important Notice



Attention Installer.

This manual contains important information about the installation, operation and safe use of this product. This information should be given to the owner/operator of this equipment.

WARNING



RISK OF ELECTRICAL SHOCK OR ELECTROCUTION

This pool pump must be installed by a licensed or certified electrician or a qualified pool installer in accordance with the 2008 National Electrical Code (“NEC”) and/or all applicable local codes and ordinances. The specific section of **NEC** covering your pump may vary depending on your location. Some states, and/or municipalities may not have adopted the 2008 edition of the **NEC**. In this case your state or local code may only be applicable and/or an earlier edition of the **NEC** may apply. Please check your local and state codes and regulations before commencing any installation of this pump. Improper installation could create, among other things, an electrical hazard which may result in death or serious injury to pool users, installers, or others due to electrical shock, and/or property damage. Always disconnect power to the pool pump at the circuit breaker before servicing the pump. Failure to do so could result in death or serious injury to pool users, installers or others (due to electrical shock) and/or property damage.

Pentair Water Pool and Spa, Inc.

1620 Hawkins Ave., Sanford, NC 27330 • (800) 831-7133 • (919) 566-8000
10951 West Los Angeles Ave., Moorpark, CA 93021 • (800) 831-7133 • (805) 553-5000
Visit: www.pentairpool.com or www.staritepool.com



⚠ WARNING

To reduce the risk of injury, do not permit children to use this product unless they are closely supervised at all times.

⚠ CAUTION

This pump is for use with permanently installed pools and may also be used with hot tubs and spas if so marked. Do not use with storable pools. A permanently installed pool is constructed in or on the ground or in a building such that it cannot be readily disassembled for storage. A storable pool is constructed so that it may be readily disassembled for storage and reassembled to its original integrity and has a maximum dimension of 18 feet (5.49m) and a maximum wall height of 42 inches (1.07m).

⚠ CAUTION

For hot tubs and spa pumps, do not install within an outer enclosure or beneath the skirt of a hot tub or spa unless so marked.

SECTION I. GENERAL INFORMATION

A. Wiring.

⚠ WARNING



RISK OF ELECTRICAL SHOCK OR ELECTROCUTION

This pool pump must be installed by a licensed or certified electrician or a qualified pool installer in accordance with the 2008 National Electrical Code (“**NEC**”) and/or all applicable local codes and ordinances. The specific section of **NEC** covering your pump may vary depending on your location. Some states, and/or municipalities may not have adopted the 2008 edition of the **NEC**. In this case your state or local code may only be applicable and/or an earlier edition of the **NEC** may apply. Please check your local and state codes and regulations before commencing any installation of this pump. Improper installation could create, among other things, an electrical hazard which may result in death or serious injury to pool users, installers, or others due to electrical shock, and/or property damage. Always disconnect power to the pool pump at the circuit breaker before servicing the pump. Failure to do so could result in death or serious injury to pool users, installers or others (due to electrical shock) and/or property damage.

1. Make sure all electrical breakers and switches are turned off before wiring motor.
2. Make sure that the wiring voltage matches the motor voltage (230v or 115v). If they do not match the motor will burn up.
3. Choose a wire size from the Chart 1. When in doubt use a heavier gauge (larger diameter) wire. Heavier gauge will allow the motor to run cooler and more efficient.
4. Make sure all electrical connections are clean and tight.
5. Cut wires to the appropriate length so they don't overlap or touch when connected to the terminal board.
6. Permanently ground the motor using the green ground terminal located on the inside of the motor canopy or access plate, see Figure 1. Use the correct wire size and type specified by National Electrical Code. Make sure the ground wire is connected to an electrical service ground.

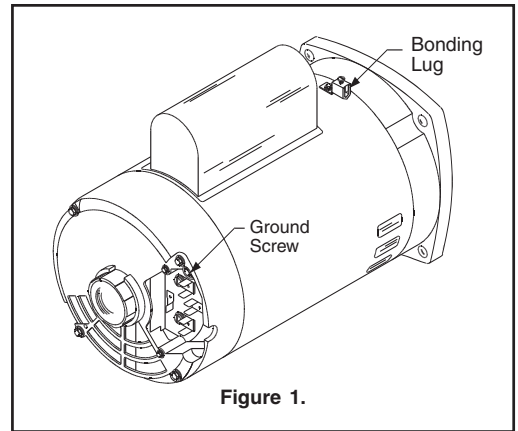
Chart 1.

SUPPLY WIRE SIZES (AWG)						
(size and length by horsepower)						
hp	115 volts			230 volts		
	50 ft.	100 ft.	150 ft.	50 ft.	100 ft.	150 ft.
1/3	14	14	12	14	14	14
1/2	14	12	10	14	14	14
3/4	12	12	10	14	14	14
1	12	10	8	14	14	14
1½	10	10	8	14	14	12
2	10	8	8	14	12	12
3	-	-	-	12	12	10

NOTE

When pump is mounted permanently within 5 ft. of the inside walls of a swimming pool, you must use a No. 8 AWG or larger conductor to connect to bonding conductor lug.

7. Bond the motor to the pool structure in accordance with the National Electrical Code. Use a solid No. 8 AWG or larger copper conductor. Run a wire from the external bonding to the pool bonding structure, see Figure 1.
8. Connect the pump permanently to a circuit. Make sure no other lights or appliances are on the same circuit.



B. The Pump Strainer Basket.

This unit, sometimes referred to as the 'Hair and Lint Pot', is the unit in front of the volute. Inside the chamber is the basket which must be kept clean of leaves and debris at all times. View basket through the 'See Through Lid' to inspect for leaves and debris.

Regardless of the length of time between filter cleaning, it is most important to visually inspect the hair and lint pot basket at least once a week. A dirty basket will reduce the efficiency of the filter and heater and also put an abnormal stress on the pump motor which would result in a costly repair bill.

SECTION II. MAINTENANCE

⚠ WARNING

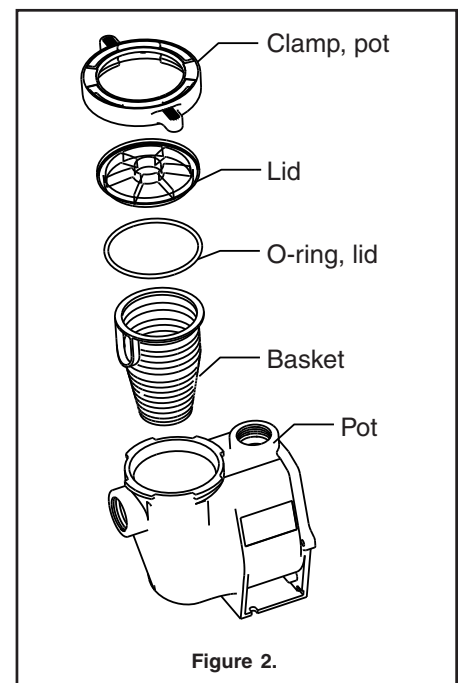
DO NOT open the strainer pot if pump fails to prime or if pump has been operating without water in the strainer pot. Pumps operated in these circumstances may experience a build up of vapor pressure and may contain scalding hot water. Opening the pump may cause serious personal injury. In order to avoid the possibility of personal injury, make sure the suction and discharge valves are open and strainer pot temperature is cool to touch, then open with extreme caution.

⚠ CAUTION

To prevent damage to the pump and filter and for proper operation of the system, clean pump strainer and skimmer baskets regularly.

A. Pump Strainer Basket Cleaning Procedures.

1. Turn off motor.
2. Relieve pressure in the system by allowing the water to cool.
3. Gently tap the clamp in a counter-clockwise direction to remove the clamp and lid.
4. Put the debris from the basket into the trash and rinse out the basket. If the basket is cracked, it should be replaced.
5. Replace the basket and fill the pump pot and volute up to the inlet port with water.
6. Clean the cover, cover O-ring, and sealing surface of the pump pot. Grease the O-ring with a silicone based lubricant.
7. Reinstall the lid by placing the clamp and the lid on the pot; see Figure 2.
 - a. Make sure the lid O-ring is properly placed. Seat the clamp and lid then turn clockwise until the handles are perpendicular to the inlet/outlet ports; see Figure 3.
8. Turn the power "ON" at the house circuit breaker. Reset the pool time clock to the correct time.

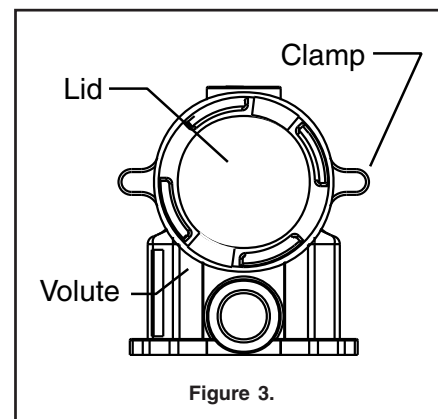


⚠ WARNING



THIS FILTER OPERATES UNDER HIGH PRESSURE. WHEN ANY PART OF THE CIRCULATING SYSTEM (e.g., LOCK RING, PUMP, FILTER, VALVES, ETC.) IS SERVICED, AIR CAN ENTER THE SYSTEM AND BECOME PRESSURIZED. PRESSURIZED AIR CAN CAUSE THE LID TO BLOW OFF WHICH CAN RESULT IN SEVERE INJURY, DEATH, OR PROPERTY DAMAGE. TO AVOID THIS POTENTIAL HAZARD, FOLLOW THESE INSTRUCTIONS.

9. Open the High Flow manual air relief valve on top of the filter.
 10. Stand clear of the filter. Start the pump.
 11. Bleed air from the filter until a steady stream of water comes out. Close the High Flow manual air relief valve.
- B. Winterizing.
1. If the air temperature drops below 35° F., the water in the pump can freeze and cause damage. Freeze damage is not warrantable.
 2. To prevent freeze damage follow the procedures listed below:
 - a. Shut off electrical power for the pump at the house circuit breaker.
 - b. Drain the water out of the pump case by removing the two thumb-twist drain plugs from the case. Store the plugs in the pump basket.
 - c. Cover the motor to protect it from severe rain, snow and ice.
 - d. Do not wrap the motor in plastic. It will cause condensation and rust on the inside of the motor.
- C. Care of Electric Motor.
1. Protect from heat.
 - a. Shade the motor from the sun.
 - b. Any enclosure must be well ventilated to prevent overheating.
 - c. Provide ample cross ventilation.
 2. Protect against dirt.
 - a. Protect from any foreign matter or splashing water.
 - b. Do not store (or spill) pool chemicals near the motor.
 - c. Avoid sweeping or stirring up dust near the motor while it is operating.
 - d. If a motor has been damaged by dirt it voids the motor warranty.
 3. Protect against moisture.
 - a. Protect from splashing pool water.
 - b. Protect from the weather.
 - c. Protect from lawn sprinklers.
 - d. If a motor has become wet - let it dry before operating. Do not allow the pump to operate if it has been flooded.
 - e. If a motor has been damaged by water it voids the motor warranty.



NOTE

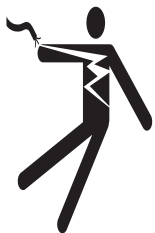
DO NOT wrap motor with plastic or other air tight materials. The motor may be covered during a storm, for winter storage, etc., but never when operating, or expecting operation.

NOTE

When replacing the motor, be certain that the motor support is correctly positioned to support the size of motor being installed.

SECTION III. SERVICE

WARNING



RISK OF ELECTRICAL SHOCK OR ELECTROCUTION

This pool pump must be installed by a licensed or certified electrician or a qualified pool installer in accordance with the 2008 National Electrical Code (“**NEC**”) and/or all applicable local codes and ordinances. The specific section of **NEC** covering your pump may vary depending on your location. Some states, and/or municipalities may not have adopted the 2008 edition of the **NEC**. In this case your state or local code may only be applicable and/or an earlier edition of the **NEC** may apply. Please check your local and state codes and regulations before commencing any installation of this pump. Improper installation could create, among other things, an electrical hazard which may result in death or serious injury to pool users, installers, or others due to electrical shock, and/or property damage. Always disconnect power to the pool pump at the circuit breaker before servicing the pump. Failure to do so could result in death or serious injury to pool users, installers or others (due to electrical shock) and/or property damage.

WARNING

DO NOT open the strainer pot if pump fails to prime or if pump has been operating without water in the strainer pot. Pumps operated in these circumstances may experience a build up of vapor pressure and may contain scalding hot water. Opening the pump may cause serious personal injury. In order to avoid the possibility of personal injury, make sure the suction and discharge valves are open and strainer pot temperature is cool to touch, then open with extreme caution.

A. Pump Disassembly.

1. All moving parts are located in the rear sub-assembly of this pump.

Tools required:

- a. 3/32 inch Allen head wrench.
 - b. 1/2 inch open end wrench.
 - c. 9/16 inch open end wrench.
 - d. Flat blade screwdriver.
2. To remove and repair the motor sub-assembly perform the following procedures.
 - a. Turn off the pump circuit breaker at the main panel.
 - b. Drain the pump by removing the drain plugs.
 - c. Remove the 6 bolts that hold the main pump body (strainer pot/volute) to the rear sub-assembly.
 - d. GENTLY pull the two pump halves apart, removing the rear sub-assembly.
 - e. Use a 3/32 inch Allen head wrench to loosen the two holding screws located on the diffuser.
 - f. Hold the impeller securely in place and remove the impeller lock screw by using a #2 Phillips screwdriver. The screw is a left-handed thread and loosens in a clockwise direction.
 - g. Remove the shaft cap located at the back of the motor and hold the shaft secure with a 1/2 inch open-end wrench.
 - h. To unscrew the impeller from the shaft, twist the impeller counterclock- wise.
 - i. Remove the four bolts from the seal plate to the motor, using a 9/16 inch wrench.
 - j. If replacing the mechanical seal set, see Section B. Pump Reassembly/Seal Replacement on the next page.

B. Pump Reassembly/Seal Replacement; see Figure 4.

NOTE

It is important that the O-rings be kept clean and well lubricated. We recommend a silicone base lubricant for best results.

CAUTION

Be sure not to scratch or mar the polished shaft seal faces; the seal will leak if faces are damaged.

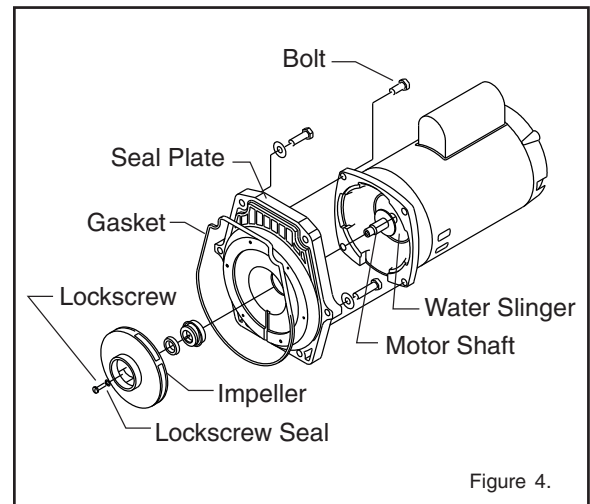


Figure 4.

1. When installing the replacement shaft seal, use silicone sealant on the metal portion before pressing into the seal plate, being careful to keep off of the seal face. Ensure the seal is fully seated and allow 24 hours for sealant to cure. (Complete seal plate w/seal replacement kit available, P/N 350201/350101.)
2. Before installing the ceramic section of the seal into the impeller, be sure the impeller is clean. Use a light density soap and water to seal the seal. Press the seal into the impeller with your thumbs and wipe off the ceramic and carbon faces with a clean cloth.
3. Remount the seal plate to the motor by installing bolts in an X pattern and tightening to 70 in-lbs.
4. Clean the motor shaft thread and the impeller insert, then screw the impeller onto the motor shaft.
5. Screw in the impeller lock screw (counter-clockwise and tighten to 25 in-lbs. while holding the motor shaft with wrench).
6. Remount the diffuser onto the seal plate. Make sure the plastic pins and holding screw inserts are aligned.
7. Grease the diffuser O-ring and seal plate gasket.
8. Grease the bolt threads, assemble the motor sub-assembly to the strainer pot-pump body by using the two through bolts for proper alignment. Do not tighten the through bolts until all 6 bolts are in place and finger tightened. Torque in a cross pattern to 110 in-lbs.
9. Fill the pump with water.
10. Reinstall the pump lid and plastic clamp; see SECTION IV. RESTART INSTRUCTIONS.
11. Reprime the system.

C. The Shaft Seal.

1. The Shaft Seal consists primarily of two parts, a rotating member and a ceramic seal.
2. The pump requires little or no service other than reasonable care, however, a Shaft Seal may occasionally become damaged and must be replaced.

CAUTION

The polished and lapped faces of the seal could be damaged if not handled with care.

CAUTION

In mild climate area, when temporary freezing conditions may occur, run your filtering equipment all night to prevent freezing.

SECTION IV. RESTART INSTRUCTIONS

- A. If pump is installed below the water level of the pool, close return and suction lines prior to opening hair and lint pot on pump. Make sure to re-open valves prior to operating.

CAUTION

DO NOT run the pump dry. If the pump is run dry, the mechanical seal will be damaged and the pump will start leaking. If this occurs, the damaged seal must be replaced. **ALWAYS** maintain proper water level in your pool (half way up skimmer opening). If the water level falls below the skimmer opening, the pump will draw air through the skimmer, losing the prime and causing the pump to run dry, resulting in a damaged seal.

NOTE

Continued operation in this manner could cause a loss of pressure, resulting in damage to the pump case, impeller and seal.

B. Priming the Pump.

1. The pump strainer pot must be filled with water before the pump is initially started. Follow these steps to prime the pump:
 - a. Remove the pump lid plastic clamp. Remove the pump lid.
 - b. Fill the pump strainer pot with water.
 - c. Reassemble the pump cover and plastic clamp onto the strainer pot. The pump is now ready to prime.
 - d. Open the air release valve on the filter, and stand clear of the filter.
 - e. Turn on the switch or time clock.
 - f. When water comes out of the air release valve, close the valve. The system should now be free of air and recirculating water to and from the pool.
2. For 2-speed pumps:
 - a. Pump should run on high-speed for priming.
 - b. The pump should not run longer than 8 minutes before priming is achieved.

SECTION V. TROUBLESHOOTING

A. Failure to Pump.

1. Pump will not prime - too much air. - Remedy:
 - a. Check suction piping and valve glands on any suction gate valves.
 - b. Secure lid on pump strainer pot and make sure lid gasket is in place.
 - c. Check water level to make sure skimmer is not drawing air.
2. Pump will not prime--not enough water. - Remedy:
 - a. Make sure suction lines, pump strainer, and pump volute are full of water.
 - b. Make sure valve on suction line is working and open, (some systems do not have valves).
 - c. Check water level to make sure water is available through skimmer.
3. Pump strainer clogged. - Remedy:
 - a. Clean pump strainer pot.
4. Pump strainer gasket defective. - Remedy:
 - a. Replace gasket.

B. Reduced Capacity and/or Head.

1. Air pockets or leaks in suction line. - Remedy:
 - a. See item A.1. of this section, above.
2. Clogged impeller. - Remedy:
 - a. Disassemble; per SECTION III. A. Pump Disassembly.
 - b. Clean debris from impeller. If debris cannot be removed, complete the following steps.
 - (1) Remove left hand thread anti-spin bolt and O-ring.
 - (2) Remove, clean and reinstall impeller.
 - c. Reassemble; per SECTION III. B. Pump Reassembly.
3. Pump strainer clogged. - Remedy:
 - a. Clean suction trap.

SECTION VI. TECHNICAL DATA

A. Replacement parts.

Item No.	P/N	Description
1	357199	Clamp, Cam & Ramp, almond
1	357150	Clamp, Cam & Ramp, black
2	357151	Cover, clear, WFE pump
2	357156	Cover, chemical resistant Cam & Ramp
3	350013	O-ring, WFE cover
4	070387	Basket, AQ & WFE
5	070430	Bolt, 3/8, 16 x 1.25 hex hd. SS, 4 req.
6	072184	Washer, 3/8 x 13/16 o.d. SS, 6 req.
7	070431	Bolt, 3/8, 16 x 1.75 hex hd. SS, 2 req.
8	071403	Nut, 3/8, 16 hex hd., 2 req.
9	357100	Black Gasket for Seal Plate
10	350015	Volute, WFE pump & pot, almond
10	357157	Volute, WFE pump & pot, black ❶
11	355227	O-ring parker No. 2-238, WFE pump
12	071660	Set screw, 4-40 x 1-1/8 WFE, 2 req.
13	072928	Diffuser assembly, WFE-12, 3 HP only
13	072927	Diffuser assembly, WFE-2-8, 1/2 HP – 2.5 HP
14	071652	Set screw, 1/4, 20 x 1 lh. Phillips
15	075713	Rubber washer, WFE pump
16	071734S	Seal PA-7 w/ceramic seat, PS1000
16	071728	Seal A7 w/ceramic seat, PS201 ➤
17	070429	Bolt, 3/8, 16 x 7/8 SS hex hd., 4 req.
18	350201	Seal Plate Kit WFE, almond (Includes Mechanical Seal installed)
18	350101	Seal Plate Kit WFE, black (Includes Mechanical Seal installed)
19	070927	Foot, WFE-4 pump, almond
19	357159	Foot, black ❶
20	070929	Foot insert, WFE pump, almond
20	357160	Foot insert, WFE pump, black ❶
21	071657	Screw, 1/4, 20 x 1 in. hh. SS, 2 req.
22	071406	Nut, 1/4, 20 hex. hd. SS, 2 req.
23	072183	Nut, 1/4, 20 hex. hd. SS, 2 req.
24	071131	Knob plug drain, 2 req. almond
24	357161	Knob plug drain, 2 req., black ❶
25	192115	O-Ring drain plug, 2 req.
26	357149	Volute/Seal plate replacement kit, almond

ITEM 28 — IMPELLER CHART

HP	PUMP MODEL	STD PART NO.
1/2	WFE-2, WF-2, WF-23, WFK-2	073126
3/4	WFE-3, WFE-24, WF-3, WF-24, WFK-3, WFDS-24	073127
1	WFE-4, WFE-26, WF-4, WF-26, WFK-4, WFDS-4, WFDS-26	073128
1-1/2	WFE-6, WFE-28, WF-6, WF-28, WFK-6, WFDS-6, WFDS-28	073129
2	WFE-8, WFE-30, WF-8, WF-30, WFK-8, WFDS-8, WFDS-30	073130
3	WFE-12, WF-12	073131

Item No.	P/N	Description
Motors		
27	071313S	3/4 HP, 60 Hz, WFE-2, 3 & 24, 1 spd., almond, 9 lbs. ❷
27	071314S	1 HP, 60 Hz, WFE-4 & 26, 1 spd., almond, 33 lbs. ❷
27	071315S	1-1/2 HP, 60 Hz, WFE-6 & 28, 1 spd., almond, 39 lbs. ❷
27	071316S	2 HP, 60 Hz, WFE-8 & 30, 1 spd., almond, 40 lbs. ❷
27	071317S	3 HP, 60 Hz, WFE-12, 1 spd., almond, 40 lbs. ❷
27	356630S	1 HP, WFDS-4 & 26, 2 spd., 34 lbs. ❶
27	071320S	1-1/2 HP, WFDS-6 & 28, 2 spd., 36 lbs. ❶
27	071321S	2 HP, WFDS-8 & 30, 2 spd., 45 lbs. ❶
27	075232S	1/2 HP, WF-2 & 23, 1 spd., almond, 39 lbs. ❸
27	075233S	3/4 HP, WF-3 & 24, 1 spd., almond, 26 lbs. ❸
27	075234S	1 HP, WF-4 & 26, 1 spd., almond, 28 lbs. ❸
27	075235S	1-1/2 HP, WF-6 & 28, 1 spd., 39 lbs. ❸
27	075236S	2 HP, WF-8 & 30, 1 spd., 32 lbs. ❸
27	075237S	3 HP, WF-12, 1 spd., almond, 40 lbs. ❸
27	355203S	WFK-4 motor, 3 ph, 1 spd., black, 28 lbs.
27	355204S	WFK-6 motor, 3 ph, 1 spd., black, 30 lbs.
27	355205S	WFK-8 motor, 3 ph, 1 spd., black, 37 lbs.
27	355398S	WFK-12 motor, 3 ph, 1 spd., black, 35 lbs.
27	356626S	1 HP, 3 ph, 1 spd., sq. flg., almond
27	356627S	1-1/2 HP, 3 ph, 1 spd., sq. flg., almond
27	356628S	2 HP, 3 ph, 1 spd., sq. flg., almond
27	356629S	3 HP, 3 ph, 1 spd., sq. flg., almond
27	356630S	1 HP, 1.5A, 2 spd., 1 ph, sq. flg., almond

Not Shown

79129900	2-Speed Toggle Switch
350202	Seal Plate Kit: Seal plate (almond), Gasket (black), with installed Seal (Includes items: 9, 16, & 18)
350203	Seal Plate Kit: Seal plate (black), Gasket (black), with installed Seal (Includes items: 9, 16, & 18)
357243	Pot Assembly, Almond NPT. (Includes items: 1-4, 10, 24 [qty. 2], 25 [qty. 2])
357244	Pot Assembly, Black NPT. (Includes items: 1-4, 10, 24 [qty. 2], 25 [qty. 2])

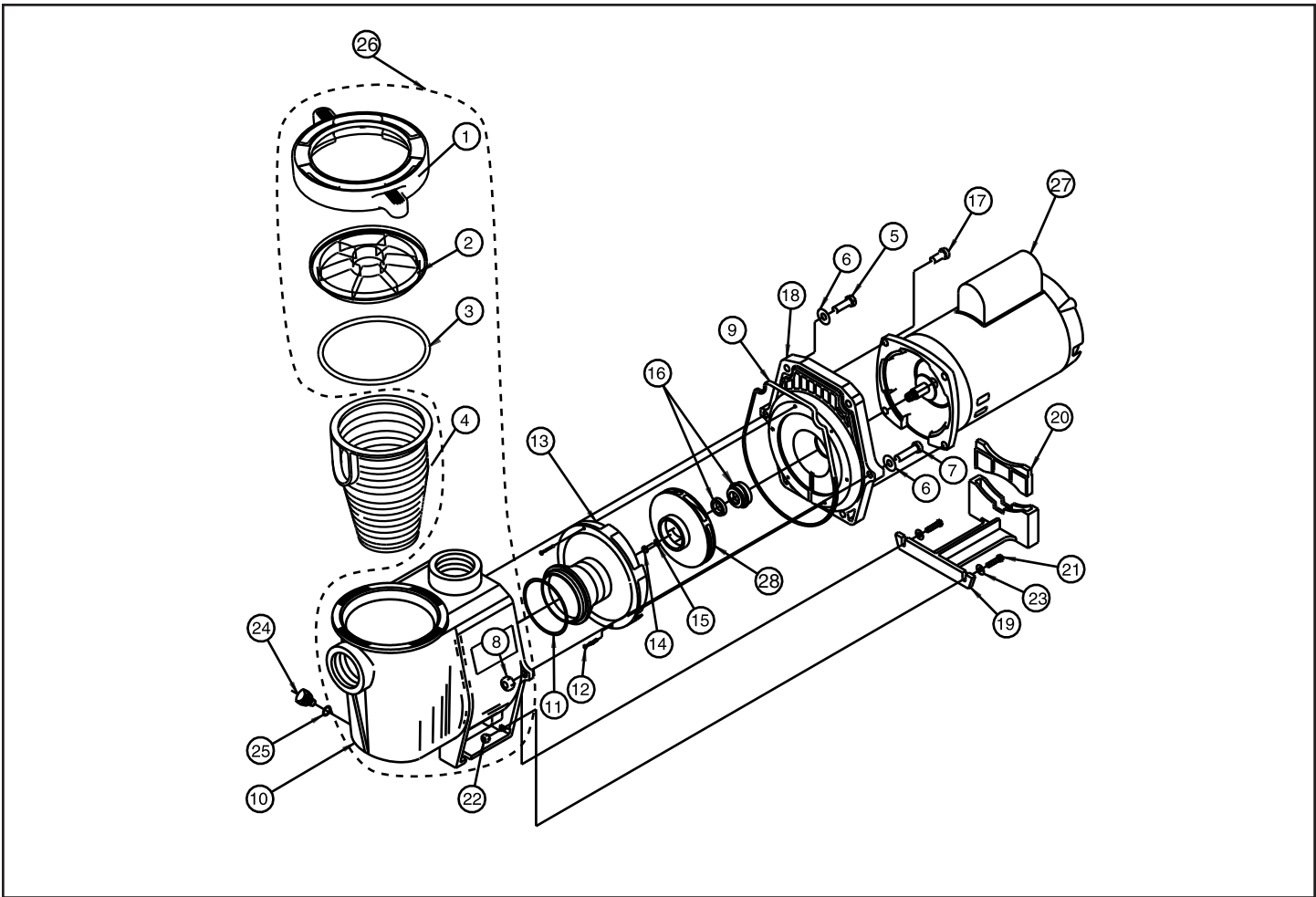
Power End Subassy. Includes Items: 12-18, 27-28

075136	WFE-2
075137	WFE-3, WFE-24 ❷
075138	WFE-4, WFE-26 ❷
075139	WFE-6, WFE-28 ❷
075140	WFE-8, WFE-30 ❷
075141	WFE-12 ❷
075145	WFDS-3, WFDS-24 ❶
075142	WFDS-4, WFDS-26 ❶
075143	WFDS-6, WFDS-28 ❶
075144	WFDS-8, WFDS-30 ❶
075251	WF-2, WF-23 ❸
075252	WF-3, WF-24 ❸
075253	WF-4, WF-26 ❸
075254	WF-6, WF-28 ❸
075255	WF-8, WF-30 ❸
075256	WF-12 ❸

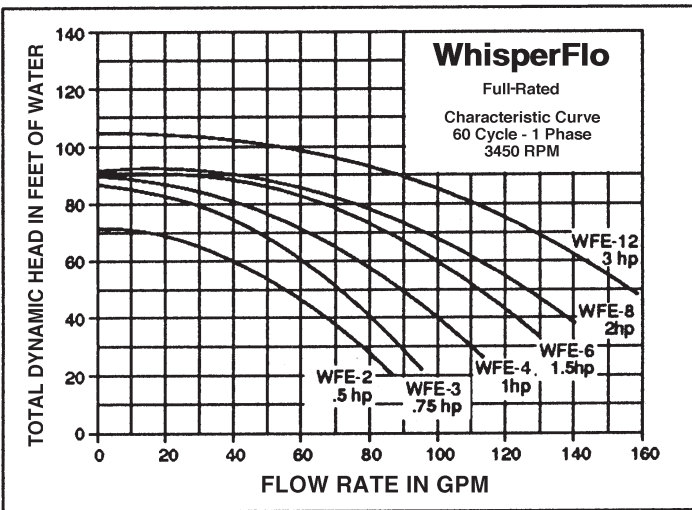
Fluid Ends-All Parts, w/o Motor

075453	WFE-3 fluid end, 3/4 HP
075454	WFE-4 fluid end, 1 HP
075455	WFE-6 fluid end, 1-1/2 HP
075455	WFE-8 fluid end, 2 HP
075456	WFE-12 fluid end, 3 HP

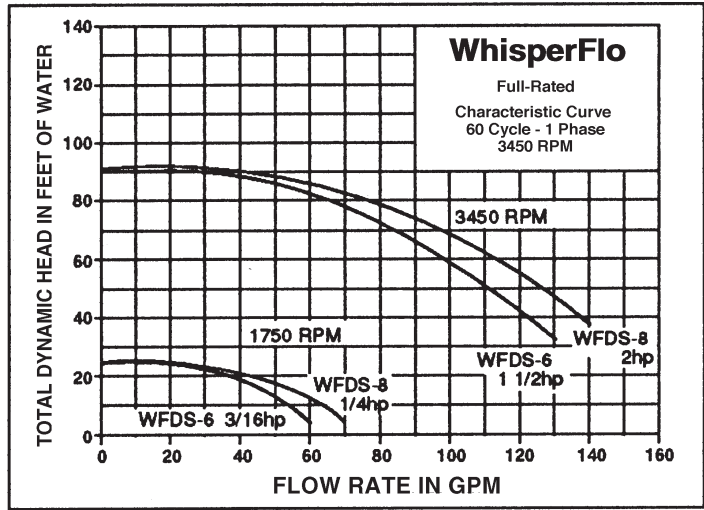
- ❶ CSA/CUL (only) for Canada.
- ❷ Energy efficient, single phase.
- ❸ Standard efficiency, single phase.
- ❹ Two speed, single phase.



B. Pump Curves.



Single Speed Models



Dual Speed Models

SAVE THESE INSTRUCTIONS



© 2012 Pentair Water Pool and Spa, Inc. All rights reserved.

This document is subject to change without notice.

1620 Hawkins Ave., Sanford, NC 27330 • (800) 831-7133 • (919) 566-8000

10951 West Los Angeles Ave., Moorpark, CA 93021 • (800) 831-7133 • (805) 553-5000

Trademarks and Disclaimers: WhisperFlo®, Pentair Pool Products® and Because reliability matters most® are trademarks and/or registered trademarks of Pentair Water Pool and Spa, Inc. and/or its affiliated companies in the United States and/or other countries. Unless noted, names and brands of others that may be used in this document are not used to indicate an affiliation or endorsement between the proprietors of these names and brands and Pentair Water Pool and Spa, Inc. Those names and brands may be the trademarks or registered trademarks of those parties or others.

Manual de referencia de la bomba WhisperFlo™

INSTRUCCIONES DE SEGURIDAD IMPORTANTES LEA Y SIGA TODAS LAS INSTRUCCIONES GUARDE ESTAS INSTRUCCIONES

Índice de materias

SECCIÓN I.	INFORMACIÓN GENERAL	12
SECCIÓN II.	MANTENIMIENTO	13
SECCIÓN III.	SERVICIO	15
SECCIÓN IV.	INSTRUCCIONES PARA ENCENDER DE NUEVO	16
SECCIÓN V.	LOCALIZADOR DE AVERÍAS	17
SECCIÓN VI.	DATOS TÉCNICOS	18
A.	PIEZAS DE REEMPLAZO	18
B.	CURVAS DE BOMBA	19

AVISO

Antes de instalar este producto, lea y siga todos los avisos e instrucciones que vienen con esta bomba. Fallar en seguir los avisos de seguridad e instrucciones puede resultar en lesión severa, muerte o daño a propiedad. Llame al (805) 553-5000 para conseguir más copias gratis de estas instrucciones.

Aviso importante



Atención al instalador.

Este manual contiene información importante acerca de la instalación, la operación y uso seguro de este producto. Se debe entregar esta información al dueño/usuario de este equipo.

AVISO

RIESGO DE CHOQUE ELÉCTRICO O ELECTROCUCIÓN



Esta bomba de piscina debe ser instalada por un electricista con licencia o certificación o por un instalador calificado de piscinas de acuerdo con el Código Eléctrico Nacional 2008 (**NEC de EE.UU.**) y todos los códigos y reglamentos locales respectivos. La sección específica del **NEC** que cubre su bomba puede variar dependiendo de su instalación. Puede que algunos estados y municipalidades no hayan adoptado la edición del 2008 del **NEC**. En este caso solo aplicaría su código local y podría aplicar una edición anterior del **NEC**. Por favor examine sus códigos y reglamentos locales y estatales antes de comenzar alguna instalación de esta bomba. La instalación incorrecta podría crear, entre otras cosas, un riesgo eléctrico que podría resultar en la muerte, lesiones graves a los usuarios de la piscina, a los instaladores o a otras personas debido a un choque eléctrico, y también podría causar daños a la propiedad. Desconecte siempre la alimentación eléctrica a la bomba de la piscina en el disyuntor antes de darle servicio a la bomba. El no hacerlo podría resultar en la muerte o en una lesión grave de la persona que esté dando el servicio, de los usuarios o de otras personas debido a un choque eléctrico o también podría causar daños a la propiedad.

Pentair Water Pool and Spa, Inc.

1620 Hawkins Ave., Sanford, NC 27330 • (800) 831-7133 • (919) 566-8000
10951 West Los Angeles Ave., Moorpark, CA 93021 • (800) 831-7133 • (805) 553-5000
Visítenos en el Internet en: www.pentairpool.com o www.staritepool.com



⚠ AVISO

Para reducir el riesgo de lesión, no permite que los niños usen este producto a menos que alguien esté supervisando cuidadosamente en todo momento.

⚠ ADVERTENCIA

Esta bomba es para usar con piscinas instaladas de manera permanente y también se puede usar con bañeras con agua caliente (hot tubs) y balnearios, si está marcada así. No la use con piscinas que se pueden almacenar. Una piscina instalada de manera permanente es construida o encima del suelo o en un edificio de tal manera que no se puede desarmar fácilmente para almacenarla. Una piscina que se puede almacenar es construida de manera que se puede desarmar fácilmente para almacenarla y armar de nuevo a su integridad original y tiene una dimensión máxima de 18 pies (5.49m) y una altura de pared máxima de 42 pulgadas (1.07m).

⚠ ADVERTENCIA

Para bombas de bañeras con agua caliente (hot tubs) y balnearios, no haga la instalación dentro de un cercado o debajo de la falda de una bañera con agua caliente (hot tub) o balneario a menos que esté marcada así.

SECCIÓN I. INFORMACIÓN GENERAL

A. Alambrado.

⚠ ADVERTENCIA



RIESGO DE CHOQUE ELÉCTRICO O ELECTROCUCIÓN

Esta bomba de piscina debe ser instalada por un electricista con licencia o certificación o por un instalador calificado de piscinas de acuerdo con el Código Eléctrico Nacional 2008 (**NEC de EE.UU.**) y todos los códigos y reglamentos locales respectivos. La sección específica del **NEC** que cubre su bomba puede variar dependiendo de su instalación. Puede que algunos estados y municipalidades no hayan adoptado la edición del 2008 del **NEC**. En este caso solo aplicaría su código local y podría aplicar una edición anterior del NEC. Por favor examine sus códigos y reglamentos locales y estatales antes de comenzar alguna instalación de esta bomba. La instalación incorrecta podría crear, entre otras cosas, un riesgo eléctrico que podría resultar en la muerte, lesiones graves a los usuarios de la piscina, a los instaladores o a otras personas debido a un choque eléctrico, y también podría causar daños a la propiedad. Desconecte siempre la alimentación eléctrica a la bomba de la piscina en el disyuntor antes de darle servicio a la bomba. El no hacerlo podría resultar en la muerte o en una lesión grave de la persona que esté dando el servicio, de los usuarios o de otras personas debido a un choque eléctrico o también podría causar daños a la propiedad.

1. Asegúrese que todos cortacircuitos e interruptores están apagados antes de instalar el alambrado en el motor.
2. Asegúrese que el voltaje de alambrado corresponde con el voltaje del motor (230v o 115v). Si los voltajes no corresponden, se quemará el motor.
3. Escoja un tamaño de alambre de la Tabla 1. Cuando esté en duda, use un alambre con calibre más pesado (diámetro más grande). Calibre más pesado permitirá que el motor funcione con menos calor y que dé un buen rendimiento.
4. Asegúrese que todas conexiones eléctricas están limpias y apretadas.
5. Corte los alambres para que tengan la longitud adecuada para que no se traslapen ni se toquen cuando están conectadas a la placa de terminales.
6. Conecte el motor con tierra de manera permanente usando el terminal verde de tierra ubicado en el interior del canapé de motor o placa de acceso, vea Gráfica 1. Use el tamaño y tipo correcto de alambre especificado por el Código Eléctrico Nacional. Asegúrese que el alambre de tierra está conectado a una tierra de servicio eléctrico.

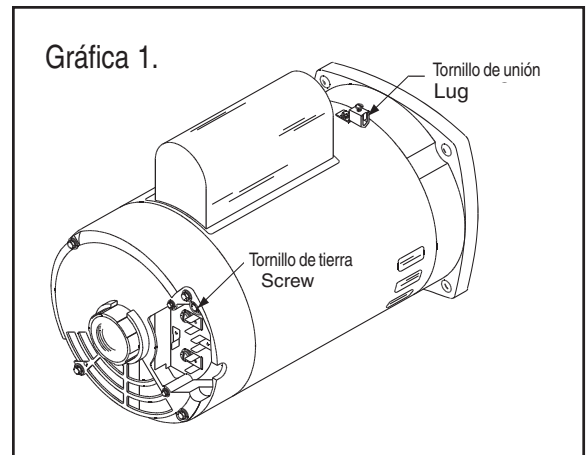
Tabla 1.

TAMAÑOS DE ALAMBRES DE SUMINISTRO (AWG)						
(tamaño y longitud según caballo de vapor)						
hp (caballos)	115 voltios			230 voltios		
	50 ft.	100 ft.	150 ft.	50 ft.	100 ft.	150 ft.
1/3	14	14	12	14	14	14
1/2	14	12	10	14	14	14
3/4	12	12	10	14	14	14
1	12	10	8	14	14	14
1½	10	10	8	14	14	12
2	10	8	8	14	12	12
3	-	-	-	12	12	10

NOTA

Cuando la bomba se monta permanentemente dentro de 5 pies (1.524 m) de las paredes interiores de una piscina, tiene que usar un No. 8 AWG o conductor más grande para conectar al tirón de conductor que pega.

7. Una el motor a la estructura de piscina según el Código Eléctrico Nacional. Use un No. 8 AWG sólido o conductor de cobre más grande. Corra un alambre de la unión externa a la estructura de unión de piscina, vea Gráfica 1.
8. Conecte la bomba a un circuito de manera permanente. Asegúrese que ningunos otros aparatos o luces están conectados en el mismo circuito.



B. La canasta que cola para la bomba.

Esta unidad, que a veces se llama la ‘Olla de pelo y pelusa’, es la unidad delante de la voluta. Adentro del recipiente está la canasta la cual siempre tiene que mantenerse limpia de hojas y de escombros. Mire la canasta a través de la ‘Tapa Transparente’ para ver si hay hojas y escombros.

Sin reparar en la cantidad de tiempo entre limpieza de filtro, es de mayor importancia inspeccionar visualmente la canasta de olla de pelo y pelusa por lo menos una vez por semana. Una canasta sucia reducirá el rendimiento del filtro y del calentador y también causará una tensión anormal en el motor de bomba lo cual resultaría en un gasto caro de reparación.

SECCIÓN II. MANTENIMIENTO

⚠ ADVERTENCIA

NO abra el tambor del filtro colador si la bomba falla en llenarlo o si ha estado operando sin agua en el mismo. Las bombas que operen bajo estas circunstancias podrían experimentar una acumulación de vapor y contener agua hirviendo. La apertura de la bomba podría dar lugar a serias lesiones personales.

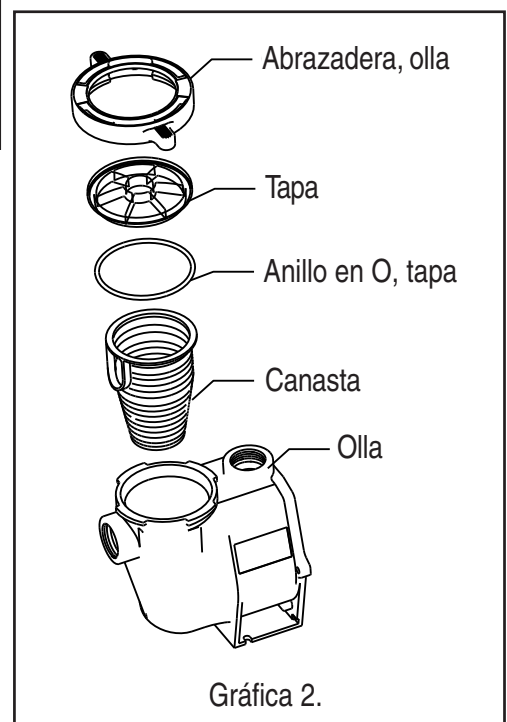
Para evitar la posibilidad de lesiones personales, asegúrese que las válvulas de succión y descarga estén abiertas y que el tambor del filtro colador esté frío, y luego ábralo con sumo cuidado.

⚠ ADVERTENCIA

Para prevenir daño a la bomba y al filtro y para funcionamiento adecuado del sistema, limpie regularmente el colador de bomba y las canastas que desnatan.

A. Procedimientos para la limpieza de canasta de colador de bomba.

1. Apague el motor.
2. Saque la presión en el sistema.
3. Golpear la abrazadera con rosca suavemente en sentido contrario de las manecillas del reloj para remover la tapa de la bomba.
4. Tire los escombros de la canasta en la basura y enjuague la canasta. Si la canasta está rajada, debe reemplazarse.
5. Hay que reemplazar la canasta y llenar la olla de bomba y la voluta hasta el puerto de entrada con agua.
6. Limpie la tapa, cubra el anillo en O y sellar la superficie de la olla de bomba. Aplique grasa al anillo en O con lubricante a base de Silicon.
7. Instale de nuevo la tapa al poner la abrazadera y la tapa en la olla; vea Gráfica 2.
 - a. Asegúrese que la tapa y anillo en O están puesto adecuadamente. Monte la abrazadera y la tapa, entonces gire en el sentido de las agujas del reloj hasta que las manillas están horizontales perpendicular a la entrada/salida; vea Gráfica 3.



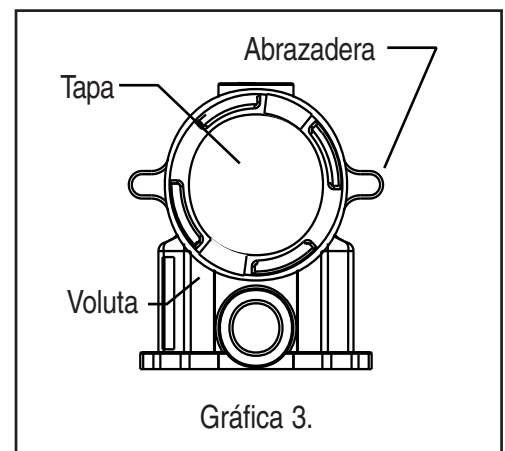
8. Encienda el corriente en posición de “ON” en el cortacircuito de la casa. Reajuste la hora en el reloj de piscina para que mostre la hora correcta.

⚠ AVISO



ESTE FILTRO FUNCIONA BAJA ALTA PRESIÓN. CUANDO CUALQUIER PIEZA DEL SISTEMA DE CIRCULACIÓN (p.ej., ANILLO DE BLOQUEADOR, BOMBA, FILTRO, VÁLVULAS, ETC.) RECIBE MANTENIMIENTO, AIRE PUEDE ENTRAR EN EL SISTEMA Y HACERSE PRESURIZADO. AIRE PRESURIZADO PUEDE CAUSAR QUE LA TAPA SE REVIENTE LO CUAL PUEDE RESULTAR EN LESIÓN SEVERA, MUERTE, O DAÑO A PROPIEDAD. PARA EVITAR ESTE PELIGRO POTENCIAL, SIGA ESTAS INSTRUCCIONES.

9. Abra la válvula manual de escape de aire High Flow en la parte superior del filtro.
 10. Manténgase a distancia del filtro. Encienda la bomba.
 11. Sangre aire del filtro hasta que sale un corriente constante de agua.
- B. Adaptar para el invierno.
1. Si la temperatura de aire baja a menos de 35° F (1.667 C), el agua en la bomba puede congelarse y causar daño. Daño de congelación no está bajo garantía.
 2. Para prevenir daño de congelación siga los procedimientos mencionados abajo:
 - a. Apague el corriente eléctrico para la bomba en el cortacircuito de la casa.
 - b. Vacíe el agua de la caja de bomba al quitar los dos tapones de drenaje que se dan vuelta usando el dedo gordo de la caja. Guarde los tapones en la canasta de bomba.
 - c. Cubra el motor para protegerlo de lluvia, nieve y hielo severo.
 - d. No cubra el motor en plástico. Causará vaho y oxidación en el interior del motor.
- C. Mantenimiento del motor eléctrico.
1. Protección contra el calor.
 - a. Déle sombra al motor del sol.
 - b. Cualquier cercado tiene que tener buena ventilación para prevenir recalentarse.
 - c. Provea ventilación amplia que pase por ahí.
 2. Protección contra la tierra.
 - a. Proteja contra cualquier sustancia ajena o agua que salpica.
 - b. No guarde (ni derrame) química de la piscina cerca del motor.
 - c. Evite barrer o agitar polvo cerca del motor mientras que esté funcionando.
 - d. Si un motor se ha dañado con tierra hace nula la garantía de motor.
 3. Protección contra la humedad.
 - a. Proteja contra agua que salpica de la piscina.
 - b. Proteja contra el clima.
 - c. Proteja contra rociadera de césped.
 - d. Si el motor se ha mojado – permite que se seque antes de usarlo. No permite que se use la bomba si se ha inundado.
 - e. Si un motor se ha dañado por agua hace nula la garantía de motor.



NOTA

NO cubra el motor con plástico ni con otros materiales herméticos. Se puede cubrir el motor durante una tormenta, para almacenar durante el invierno, etc., pero nunca cuando se está usando o cuando se espera usar.

NOTA

Cuando está reemplazando el motor, asegúrese que el soporte de motor está colocado correctamente para soportar el tamaño del motor que se está instalando.

SECCIÓN III. SERVICIO

⚠ AVISO



RIESGO DE CHOQUE ELÉCTRICO O ELECTROCUCIÓN

Esta bomba de piscina debe ser instalada por un electricista con licencia o certificación o por un instalador calificado de piscinas de acuerdo con el Código Eléctrico Nacional 2008 (**NEC de EE.UU.**) y todos los códigos y reglamentos locales respectivos. La sección específica del **NEC** que cubre su bomba puede variar dependiendo de su instalación. Puede que algunos estados y municipalidades no hayan adoptado la edición del 2008 del **NEC**. En este caso solo aplicaría su código local y podría aplicar una edición anterior del **NEC**. Por favor examine sus códigos y reglamentos locales y estatales antes de comenzar alguna instalación de esta bomba. La instalación incorrecta podría crear, entre otras cosas, un riesgo eléctrico que podría resultar en la muerte, lesiones graves a los usuarios de la piscina, a los instaladores o a otras personas debido a un choque eléctrico, y también podría causar daños a la propiedad. Desconecte siempre la alimentación eléctrica a la bomba de la piscina en el disyuntor antes de darle servicio a la bomba. El no hacerlo podría resultar en la muerte o en una lesión grave de la persona que esté dando el servicio, de los usuarios o de otras personas debido a un choque eléctrico o también podría causar daños a la propiedad.

⚠ ADVERTENCIA

NO abra el tambor del filtro colador si la bomba falla en llenarlo o si ha estado operando sin agua en el mismo. Las bombas que operen bajo estas circunstancias podrían experimentar una acumulación de vapor y contener agua hirviendo. La apertura de la bomba podría dar lugar a serias lesiones personales.

Para evitar la posibilidad de lesiones personales, asegúrese que las válvulas de succión y descarga estén abiertas y que el tambor del filtro colador esté frío, y luego ábralo con sumo cuidado.

A. Desmontaje de bomba.

1. Todas piezas móviles se encuentran en el montaje de abajo por atrás de esta bomba.

Herramientas requeridas:

- a. Llave de boca de 3/32 pulgada (.2381 cm).
 - b. Llave de boca de 1/2 pulgada (15.24 cm).
 - c. Llave de boca de 9/16 pulgada (1.429 cm).
 - d. Destornillador con cabeza plana.
2. Para quitar y reparar el montaje de abajo del motor ejecute los siguientes procedimientos.
 - a. Apague el cortacircuito de bomba en el panel principal.
 - b. Vacíe la bomba al quitar los tapones de drenaje.
 - c. Quite los 6 pernos que sujetan el cuerpo de bomba principal (olla de colador/voluta) al montaje de abajo por atrás.
 - d. **SUAVEMENTE** separe las dos mitades de bomba, quitando el montaje de abajo por atrás.
 - e. Use una llave de boca de 3/32 pulgada (.2381 cm) para desapretar los dos tornillos que soportan y que se encuentran en el difusor.
 - f. Mantenga el impulsor seguramente en lugar y quite el tornillo de llave del impulsor al usar un desarmador (desatornillador) de cruz. Este tornillo tiene rosca a mano izquierda y se desaprieta en el sentido de las agujas del reloj.
 - g. Quite la tapa del eje que se encuentra en la parte de atrás del motor y mantenga el eje seguro con una llave de boca de 1/2 pulgada (15.24 cm).
 - h. Para destornillar el impulsor del eje, déle vuelta al impulsor en el sentido opuesto de las agujas del reloj.
 - i. Quite los cuatro pernos de la placa de sello al motor, usando una llave de 9/16 pulgada (1.429 cm).
 - j. Si el sello mecánico tiene que ser reemplazado refiera a la Sección B, Reensamble de la bomba y sello mecánico.

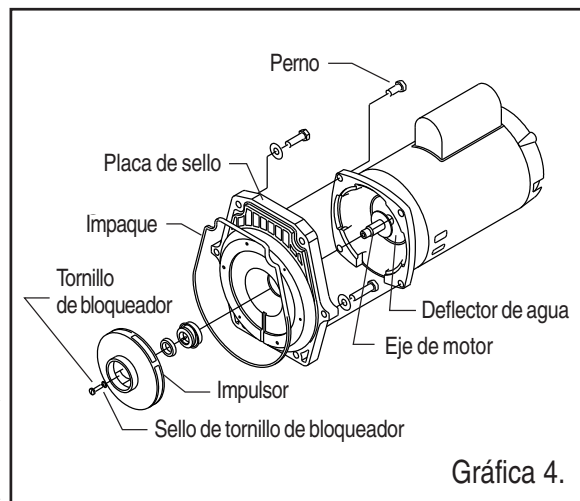
B. Armar la bomba de nuevo/Reemplazar el sello; vea Gráfica 4.

NOTA

Es importante que el anillo en O se mantenga limpio y con buen engrase. Recomendamos un lubricante basado en silicona para los mejores resultados.

⚠ ADVERTENCIA

Asegúrese de no rayar ni dañar las caras pulidas que sellan el eje; el sello tendrá un chorreo si se dañan las caras.



1. Cuando este instalando el sello mecánico de la flecha, use un sellador de silicón en la parte metálica de la flecha antes de presionar contra la placa de sello, y teniendo mucho cuidado de mantener el sellador de silicón alejado del la cara de sellado de la bomba. Asegúrese que el sello se encuentre completamente asentado y deje pasar 24 horas para permitir que el sellador seque. (Kid de remplazo completo con la placa de sello y el sello mecánico esta disponible, P/N 350201/350101.)
2. Antes de instalar la sección cerámica del sello en el impulsor, asegúrese que el impulsor está limpio. Use un jabón de poca densidad y agua para sellar el sello. Empuje el sello en el impulsor con los dedos gordos y pase un paño para limpiar las caras cerámicas y de carbón.
3. Reinstalar de nuevo la placa de sello al motor. Ajustando los Pernos, 3/8-16 x 7/8 (2,22 cm) de cabeza hexagonal, a un torque de 7,91 Nm de manera cruzada (apretar uno de los pernos y después apretar el perno opuesto y repita la misma secuencia hasta que todos los pernos estén ajustados al torque requerido).
4. Limpie la rosca de la flecha y la rosca del impulsor, después enrosque el impulsor a la flecha del motor.
5. Atornille el tornillo de cierre del impulsor (en el sentido opuesto de las agujas del reloj para apretar).
6. Monte de nuevo el difusor en la placa de sello. Asegúrese que las clavijas plásticas y las inserciones de tornillos de mantener están alineado.
7. Engrase el anillo en O del difusor y empaque de placa de sello o el anillo en O antes de armar de nuevo.
8. Engrase las roscas de perno, arme el montaje de abajo del motor al cuerpo de olla de colar y bomba al usar los dos pernos que corren a través para tener alineamiento adecuado. Colocar los Pernos, 3/8 -16 x 2 de cabeza hexagonal 18-8 acero inoxidable (se requieren 2) a través de la placa de sellado y la voluta y no los ajuste hasta que los Pernos de 3/8, 16 x 1-1/4 (3,18 cm) cabeza hexagonal 18-8 acero inoxidable (se requieren 4) estén ajustados a mano. Ajustar todos los pernos a un torque de 12,43 Nm, de manera cruzada.
9. Llene la bomba con agua.
10. Instale de nuevo la tapa de bomba y abrazadera plástica; vea SECCIÓN IV. INSTRUCCIONES PARA ENCENDER DE NUEVO.
11. Prepare de nuevo el sistema.

C. El sello de eje.

1. El sello de eje consiste principalmente en dos piezas, un miembro rotativo y un sello cerámico.
2. La bomba requiere de poco o de ningún mantenimiento además de atención razonable, sin embargo, podría ser que de vez en cuando se dañe el sello de eje y tenga que reemplazarse.

⚠ ADVERTENCIA

Las caras pulidas y labradas del sello se pueden dañar si no se usa con cuidado.

⚠ ADVERTENCIA

En una área de clima moderado, cuando puedan ocurrir condiciones de congelación, use su equipo de filtración durante toda la noche para evitar congelación.

SECCIÓN IV. INSTRUCCIONES PARA ENCENDER DE NUEVO

- A. Si se instala la bomba debajo del nivel de agua en la piscina, cierre las líneas de regreso y de aspiración antes de abrir la olla de pelo y pelusa en la bomba. Asegúrese de abrir de nuevo las válvulas antes de usar.

ADVERTENCIA

NO opere la bomba sin agua. Si la bomba opera sin agua, el sello mecánico se dañara y la bomba empezará fugar. Si ocurre esto, se tiene que reemplazar el sello dañado. SIEMPRE mantenga un nivel de agua adecuado en su piscina (la mitad de la longitud a la abertura de la desnatadora). Si el nivel de agua cae a debajo de la abertura de la desnatadora, la bomba chupará aire a través de la desnatadora, perdiendo la imprimación y causando que la bomba opere sin agua, resultando en un sello dañado.

NOTA

Continuar con funcionamiento de este modo puede causar una pérdida de presión, resultando en daño a la caja de bomba, impulsor y sello.

B. Imprimir la bomba.

1. La olla de colador de bomba tiene que llenarse con agua antes de que se empiece la bomba inicialmente. Siga estos pasos para imprimir la bomba.
 - a. Quite la abrazadera plástica de la tapa de la bomba. Quite la tapa de la bomba.
 - b. Llene la olla de colador de bomba con agua.
 - c. Arme de nuevo el cubierto de bomba y abrazadera plástica en la olla de colador. Ahora la bomba está lista para imprimir.
 - d. Abra válvula de escape de aire en el filtro y manténgase a distancia del filtro.
 - e. Encienda el interruptor o reloj.
 - f. Cuando agua sale de la válvula de escape de aire, cierre la válvula. Este sistema ahora debe estar libre de aire y circulando agua de nuevo a la piscina y de vuelta.
2. Para bomba de 2 velocidades:
 - a. La bomba debe funcionar en alta velocidad para imprimir.
 - b. La bomba no debe funcionar por más de 8 minutos antes de que se logre imprimir.

SECCIÓN V. LOCALIZADOR DE AVERÍAS

A. Si la bomba falla.

1. La bomba no imprima – demasiado aire. – Remedio:
 - a. Revise la tubería de succión y las prensastopas en cualquier válvulas de puerta de aspiración.
 - b. Cierre la tapa en la olla de coladora de bomba y asegúrese que el empaque de tapa está en lugar.
 - c. Revise el nivel de agua para asegurarse que la desnatadora no está jalando aire.
2. La bomba no imprima—no hay agua suficiente. – Remedio:
 - a. Asegúrese que las líneas de aspiración, el colador de bomba, y la voluta de bomba están llenas con agua.
 - b. Asegúrese que la válvula en la línea de aspiración está funcionando y abierta, (algunos sistemas no tienen válvulas).
 - c. Revise el nivel de agua para asegurarse que hay agua disponible a través de la desnatadora.
3. El colador de bomba está atascado. – Remedio:
 - a. Limpie la olla de coladora de bomba.
4. Empaque de colador de bomba defectuoso.- Remedio:
 - a. Reemplazar empaque.

B. Capacidad reducida y/o presión baja de agua.

1. Bolsas de aire o fugas en la línea de aspiración. – Remedio:
 - a. Vea artículo A.1. de esta sección, arriba.
2. Impulsor atascado. Remedio:
 - a. Desensamblar (Referir a la Sección III A, Desensamblaje de la bomba).
 - b. Remover la basura del impulsor, si la basura no pueden ser removida por complete, siga las siguientes instrucciones.
 - (1) Remueva el Tornillo de 1/4, 20x1, LH, Phillips MS 18-8 de acero inoxidable y la arandela de goma del impulsor.
 - (2) Remueva el impulsor, termine de limpiarlo y vuelva a instalar.
 - c. Reensamblar (Referir a la Section III. B, Armar la bomba de nuevo/Reemplazar el sello).
3. Colador de bomba atascado. – Remedio:
 - a. Limpie el depósito de aspiración.

SECCIÓN VI. DATOS TÉCNICOS

A. Piezas de reemplazo

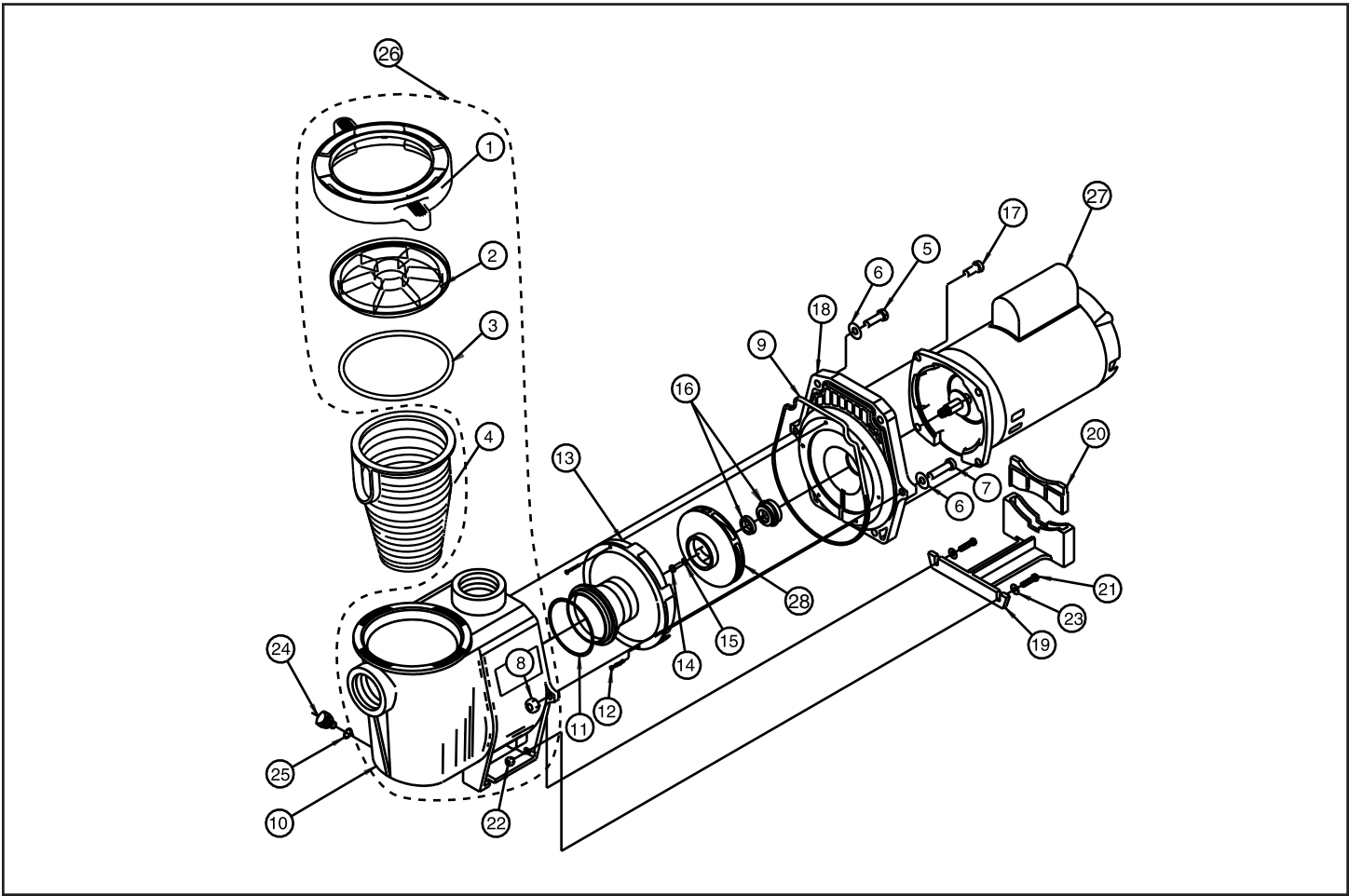
Núm. de art.	Núm. de pieza	Descripción
1	357199	La abrazadera, Cam & Ramp, (Almendra)
1	357150	La abrazadera, Cam & Ramp, (Negro)
2	357151	Tapa, Clara de Bomba WFE
2	357156	Tapa, resistente química, Cam & Ramp
3	350013	Tapa WFE Anillo en O
4	070387	Canasta AQ & WFE
5	070430	Perno, 3/8, 16 x 1.25 hex hd s/s, 4 req.
6	072184	Arandela, 3/8 x 13/16 o.d. s/s, 6 req.
7	070431	Perno, 3/8, 16 x 1.75 hex hd. s/s, 2 req.
8	071403	Tuerca, 3/8, 16 hex hd., 2 req.
9	357100	Placa de sello de Empaque, (Negro)
10	350015	Voluta & Olla de Bomba WFE, (Almendra)
10	357157	Voluta & Olla de Bomba WFE, (Negro) ❶
11	355227	Anillo en O Parker de Bomba WFE, #2-238
12	071660	Tornillo de Tope, #4-40 X 1-1/8 SFE, 2 req.
13	072928	Montaje de Difusor, WFE- 12, Sólo 3 HP
13	072927	Montaje de Difusor, WFE- 2-8, .5 HP-2.5 HP
14	071652	Tornillo de Tope, 1/4, 20 x 1 lh. Phillips
15	075713	Arandela de Hule de Bomba WFE
16	071734S	Sello PA-7 con Asiento Cerámico, PS1000
17	070429	Perno, 3/8, 16 x 7/8 s/s hex hd., 4 req.
18	350201	Placa de Sello Juego WFE, (Almendra) (Incluye Sello Mecánico instalado)
18	350101	Placa de Sello Juego WFE, (Negro) (Incluye Sello Mecánico instalado)
19	070927	Pie WFE - Bomba 4, (Almendra)
19	357159	Pie (Negro) ❶
20	070929	Inserción de Pie de Bomba WFE, (Almendra)
20	357160	Inserción de Pie de Bomba WFE, (Negro) ❶
21	071657	Tornillo, 1/4, 20 x 1 pulg. hex hd. s/s, 2 req.
22	071406	Tuerca, 1/4, 20 hex. hd. s/s, 2 req.
23	072183	Tuerca, 1/4, 20 hex. hd. s/s, 2 req.
24	071131	Tapón con Perilla para Desagüe, (Almendra) 2 req.
24	357161	Tapón con Perilla para Desagüe, (Negro) 2 req. ❶
25	192115	Tapón de Desagüe de O-anillo, 2 req.
26	357149	Juego para Reemplazar Voluta/Placa de Sello, (Almendra)

ARTÍCULO 28 – TABLA DE IMPULSOR

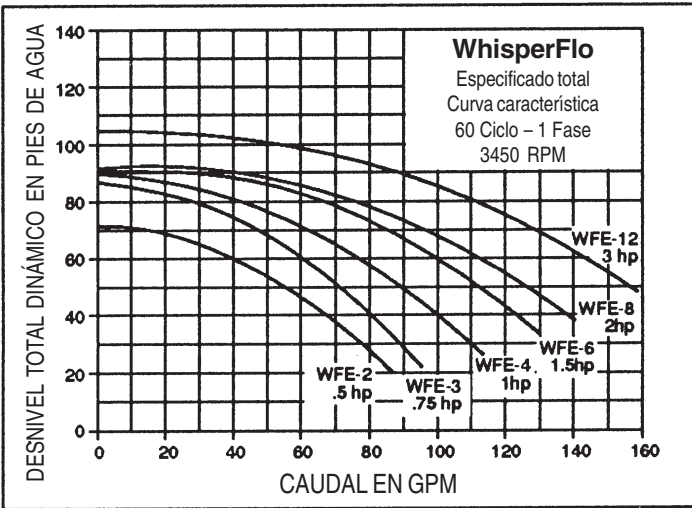
HP	TAMAÑO	NO. DE PIEZA STD.
1/2	WFE-2, WF-2, WF-23, WFK-2	073126
3/4	WFE-3, WFE-24, WF-3, WF-24, WFK-3, WFDS-24	073127
1	WFE-4, WFE-26, WF-4, WF-26, WFK-4, WFDS-4, WFDS-26	073128
1-1/2	WFE-6, WFE-28, WF-6, WF-28, WFK-6, WFDS-6, WFDS-28	073129
2	WFE-8, WFE-30, WF-8, WF-30, WFK-8, WFDS-8, WFDS-30	073130
3	WFE-12, WF-12	073131

Núm. de art.	Núm. de pieza	Descripción
Motores		
27	071313S	3/4 HP, 60 Hz, WFE-2, 3 & 24, 1 spd., Almendra, 9 lbs. ❷
27	071314S	1 HP, 60 Hz, WFE-4 & 26, 1 spd., Almendra, 33 lbs. ❷
27	071315S	1-1/2 HP, 60 Hz, WFE-6 & 28, 1 spd., Almendra, 39 lbs. ❷
27	071316S	2 HP, 60 Hz, WFE-8 & 30, 1 spd., Almendra, 40 lbs. ❷
27	071317S	3 HP, 60 Hz, WFE-12, 1 spd., Almendra, 40 lbs. ❷
27	356630S	1 HP, WFDS-4 & 26, 2 spd., 34 lbs. ❸
27	071320S	1-1/2 HP, WFDS-6 & 28, 2 spd., 36 lbs. ❸
27	071321S	2 HP, WFDS-8 & 30, 2 spd., 45 lbs. ❸
27	075232S	1/2 HP, WF-2 & 23, 1 spd., Almendra, 39 lbs. ❹
27	075233S	3/4 HP, WF-3 & 24, 1 spd., Almendra, 26 lbs. ❹
27	075234S	1 HP, WF-4 & 26, 1 spd., Almendra, 28 lbs. ❹
27	075235S	1-1/2 HP, WF-6 & 28, 1 spd., 39 lbs. ❹
27	075236S	2 HP, WF-8 & 30, 1 spd., 32 lbs. ❹
27	075237S	3 HP, WF-12, 1 spd., Almendra, 40 lbs. ❹
27	355203S	WFK-4 motor, 3 ph, 1 spd., Negro, 28 lbs.
27	355204S	WFK-6 motor, 3 ph, 1 spd., Negro, 30 lbs.
27	355205S	WFK-8 motor, 3 ph, 1 spd., Negro, 37 lbs.
27	355398S	WFK-12 motor, 3 ph, 1 spd., Negro, 35 lbs.
27	356626S	1 HP, 3 ph, 1 spd., sq. flg., Almendra
27	356627S	1-1/2 HP, 3 ph, 1 spd., sq. flg., Almendra
27	356628S	2 HP, 3 ph, 1 spd., sq. flg., Almendra
27	356629S	3 HP, 3 ph, 1 spd., sq. flg., Almendra
27	356630S	1 HP, 1.5A, 2 spd., 1 ph, sq. flg., Almendra
No Mostrado		
79129900		2-Velocidad Toggle Interruptor
350202		Placa de Sello Juego: Placa de Sello (Almendra), Empaque (Negro), con instalado Sello (Incluye Artículos: 9, 16, & 18)
350203		Placa de Sello Juego: Placa de Sello (Negro), Empaque (Negro), con instalado Sello (Incluye Artículos: 9, 16, & 18)
357243		Olla la Asamblea, Almendra NPT. (Incluye Artículos: 1-4, 10, 24 [qty. 2], 25 [qty. 2])
357244		Olla la Asamblea, Negro NPT. (Incluye Artículos: 1-4, 10, 24 [qty. 2], 25 [qty. 2])
Fondo Potencia Submontaje. Incluye Artículos: 12-18, 27-28		
075136		WFE-2
075137		WFE-3, WFE-24 ❷
075138		WFE-4, WFE-26 ❷
075139		WFE-6, WFE-28 ❷
075140		WFE-8, WFE-30 ❷
075141		WFE-12 ❷
075145		WFDS-3, WFDS-24 ❸
075142		WFDS-4, WFDS-26 ❸
075143		WFDS-6, WFDS-28 ❸
075144		WFDS-8, WFDS-30 ❸
075251		WF-2, WF-23 ❹
075252		WF-3, WF-24 ❹
075253		WF-4, WF-26 ❹
075254		WF-6, WF-28 ❹
075255		WF-8, WF-30 ❹
075256		WF-12 ❹
Fondo Líquido - Todas las Partes sin el Motor		
075453		WFE-3 fondo líquido, 3/4 HP
075454		WFE-4 fondo líquido, 1 HP
075455		WFE-6 fondo líquido, 1-1/2 HP
075455		WFE-8 fondo líquido, 2 HP
075456		WFE-12 fondo líquido, 3 HP

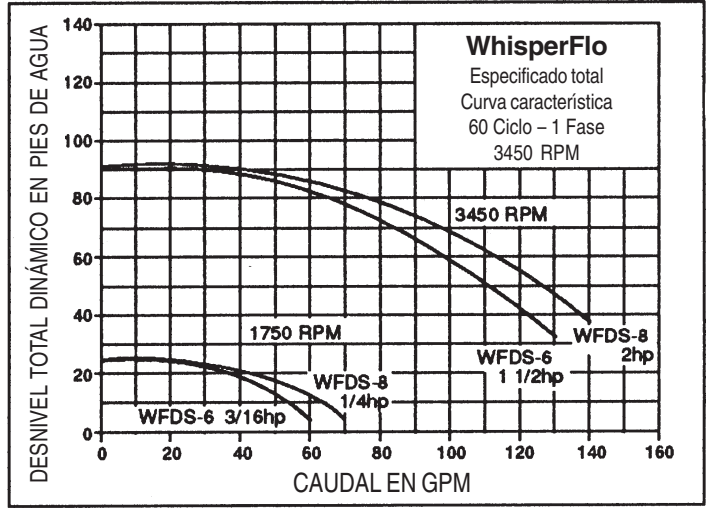
- ❶ CSA/CUL (sólo) para Canadá.
- ❷ Energía eficiente, sola fase.
- ❸ Eficiencia Estándar, sola fase.
- ❹ Dos velocidad, sola fase.



B. Curvas de Bomba



Modelos con una velocidad



Modelos con dos velocidades

GUARDE ESTAS INSTRUCCIONES



WhisperFlo Lit. Pkg. 072793



© 2012 Pentair Water Pool and Spa, Inc. Todos los derechos reservados.

Este documento está sujeto a cambios sin previo aviso.

1620 Hawkins Ave., Sanford, NC 27330, USA • (800) 831-7133 • (919) 566-8000
10951 West Los Angeles Ave., Moorpark, CA 93021, USA • (800) 831-7133 • (805) 553-5000

Marcas comerciales y descargo de responsabilidad: WhisperFlo™, Pentair Pool Products™ y Because reliability matters most™ son marcas comerciales y/o marcas registradas de Pentair Water Pool and Spa, Inc. y/o de sus compañías afiliadas en los Estados Unidos y/u en otros países. A menos que sea indicado, los nombres y marcas de otros que puedan ser utilizados en este documento no son utilizados para indicar una afiliación o endoso entre los propietarios de estos nombres y marcas y Pentair Water Pool and Spa, Inc. Esos nombres y marcas pueden ser las marcas comerciales o registradas de esas partes u otros.