

## MATERIAL AND DESIGN

### PUMP BODY AND PARTS

- Material
  - Glass reinforced thermoplastic
  - Threaded brass inserts throughout
  - Bronze impeller wear ring
  - Compression resistant EPDM rubber
  - Stainless steel hardware
- Port size
  - Suction: 2.5" with unions (2" with included adapter or 3" with optional kit)
  - Discharge: 2.5" with unions (2" with included adapter or 3" with optional kit)
- Mechanical seal
  - Type 6 mechanical seal
  - Made of ceramic, stainless steel, and EPDM

### HAIR AND LINT STRAINER

- Material
  - White high density polyethylene thermoplastic
  - Clear thermoplastic
  - Glass reinforced thermoplastic

### MOTOR

- NEMA rated 56 frame square flange totally enclosed fan cooled (TEFC)
- Permanent magnet synchronous motor (PMSM)
- Shaft
  - 300 series stainless steel
- Thermal overload protection
  - Provided by the motor control circuit
- Bearings
  - Lubricated, double sealed, stainless steel, single row, ball bearings
- Intrusion protection
  - IPx5

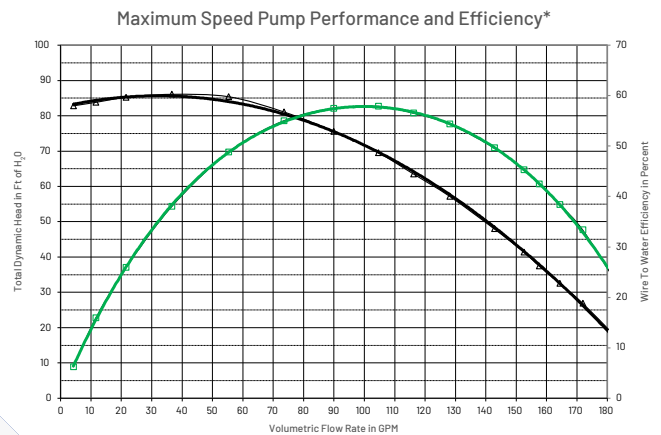
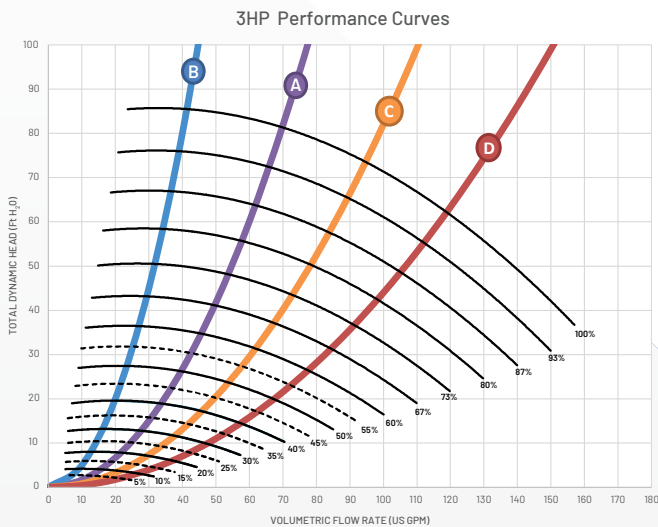


## ELECTRICAL SPECIFICATIONS

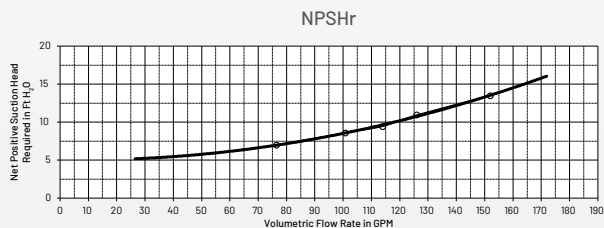
### 3.0HP IntelliFlo3 VSF

Input Voltage Nominal	208-230VAC	
Input Current	12.4/11.2 Amps	
Input Frequency	Single Phase, L1-L2 or L-N, 50 or 60Hz	
Maximum Input Watts	2590W	
Maximum Shaft Horsepower	3.0HP	
Speed Range	1-100% (450-3450 RPM)	
Environmental Enclosure Rating	NEMA Type 3/ IPX5	
Ambient Condition Range	Storage	-40°C to +60°C (-40°F-140°F)
	Operating	0 to 50°C (32-122°F)
	Humidity	Relative 0-95% Non-Condensing

## PERFORMANCE & EFFICIENCY CURVES



3HP Models: WEF: 7.1 and THP: 3.0



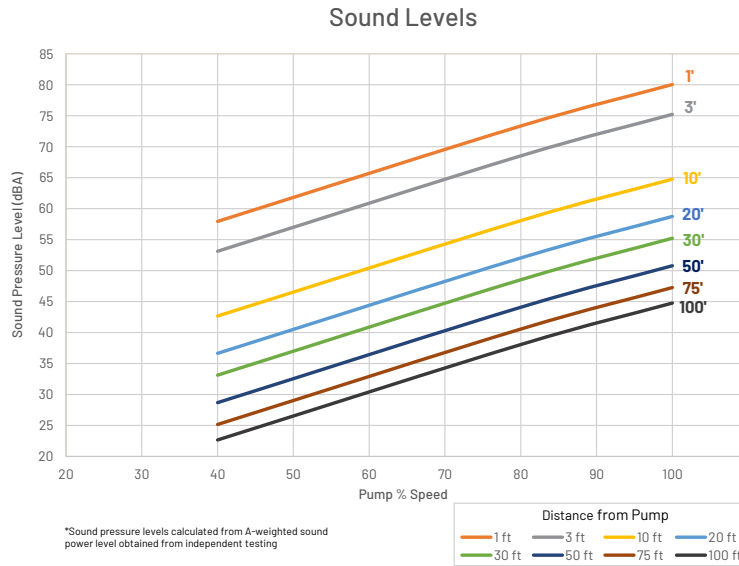
\*Savings based on variable speed pump compared to a single-speed pump running 12 hours per day at an average of \$0.16 per kWh in a 20,000 gallon pool. Actual savings may vary based on local utility rates, pool size, pump run time, pump horsepower, pump rpm, plumbing size and length, pump model, service factor and other hydraulic factors. Individual Weighted Energy Factor (WEF) scores and savings may vary by model.

# IntelliFlo3™

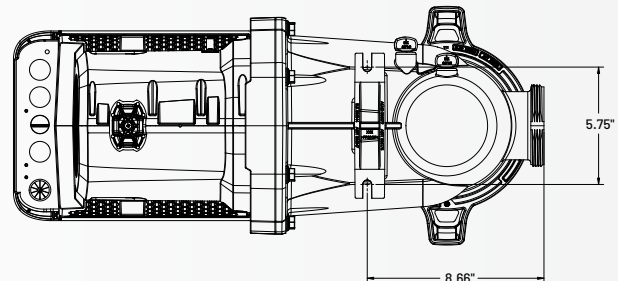
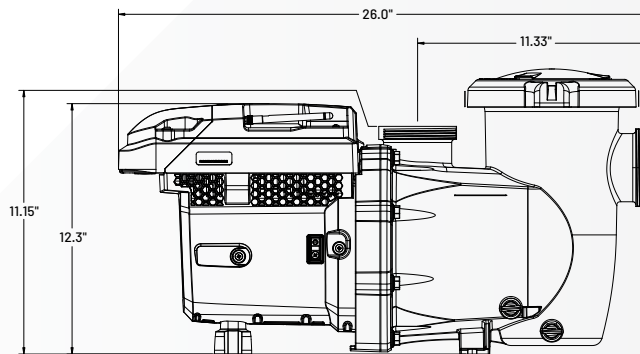
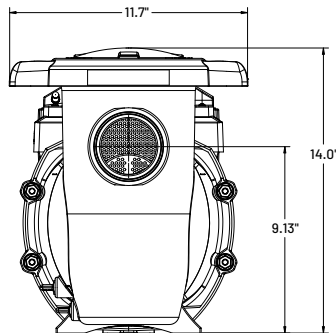
VARIABLE SPEED AND FLOW POOL PUMP

SPECIFICATION SHEET

## SOUND LEVELS



## PRODUCT DIMENSIONS



Scan the QR code for installation instructions and set-up using the Pentair Pro app.

[pentair.com/intelliflo3-proapp-support](http://pentair.com/intelliflo3-proapp-support)



The Pentair IntelliFlo3 pump has earned the Eco Select® brand distinction as one of the greenest and most efficient choices from Pentair.



The TradeGrade family of products is exclusively made for and sold by the world's most demanding pool professionals.



400 Regency Forest Dr | Cary, NC 27518 | United States | 800.831.7133 | [pentair.com](http://pentair.com)

All indicated Pentair trademarks and logos are property of Pentair. Third party registered and unregistered trademarks and logos are the property of their respective owners.

©2022 Pentair. All rights reserved. Pentair.com

05/2022