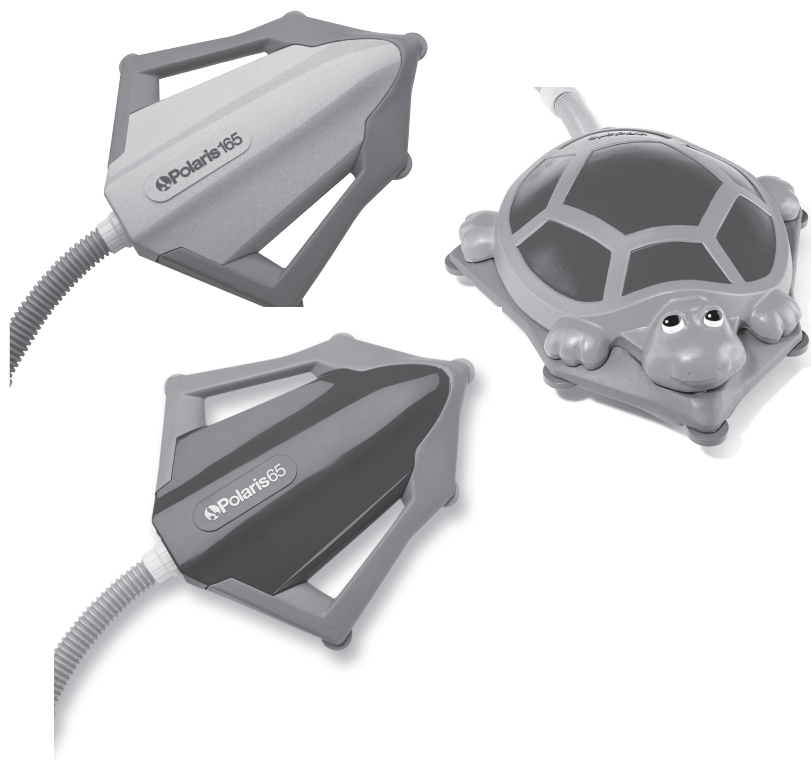




O W N E R ' S M A N U A L



 **Polaris 165/Super Turtle**
 **Polaris 65/Turbo Turtle**

IMPORTANT INFORMATION

SERIAL NUMBER

Important Information

- Before installing the Polaris, make sure the pool filter is clean.
- New plumbing lines should be flushed out before installing the Polaris.
- Do not handle the Polaris while it is operating.
- Always remove the Polaris before swimmers enter the pool.
- Disconnect the Polaris from the pool wall when cleaning or backwashing the pool filter.
- After cleaning or backwashing, let the filtration system run for at least five minutes before re-connecting the Polaris.
- Always remove the Polaris from the pool before chemical shock treatments.

For customer service or support:

- Please mail Warranty Card immediately.
- For on-line support: www.polarispool.com
- To contact Polaris: US and Canada
Customer Service
2620 Commerce Way
Vista, CA 92081-8438
1-800-822-7933

Polaris Limited Warranty

This one year limited warranty is extended to the original consumer purchaser of this Polaris Vac-Sweep® 65/Polaris Turbo Turtle®, Polaris Vac-Sweep® 165/Polaris Super Turtle® Automatic Pool Cleaner manufactured by Zodiac Pool Systems, Inc., from date of manufacture of the unit as established by the serial number, or one year from date of purchase with proof of purchase, whichever is later. Zodiac warrants this product, including all parts and components thereof, to be free of defects in material and workmanship. Normal replacement items such as the filter bag, which have been worn out by use or improper installation are not covered by this warranty. The Polaris 65/Turbo Turtle, Polaris 165/Super Turtle bottom is warranted for a period of three years.

This limited warranty does not apply if the failure is caused or contributed to by any of the following: improper handling, improper usage, improper storage, winter freezing, abuse, improper installation, removal of the UWF filters screen, unsuitable application of the unit, improper maintenance, lack of reasonable and necessary maintenance, damage in transit or during installation, or damage from repairs/alterations made or attempted by anyone other than Zodiac or one of its Authorized Service Centers. In no event shall Zodiac be liable for incidental or consequential damages of any nature or for damages to persons or property, including damage to vinyl liners, plaster, tile, aggregate-based and other pool surfaces, or damages resulting from the use of this product with a standard pool circulation system or a chemical imbalance.

Authorization to return a unit or part to the plant of manufacture must be obtained from the Zodiac Customer Service Department. Check with your dealer for the local procedure before exercising this warranty. If further directions or instructions should be required, contact the Customer Service Department at 1-800-822-7933 (USA and Canada only) or (760) 599-9600. Be sure to insure the shipment against loss or damage in transit.

This limited warranty is valid only in the United States of America, Canada and Australia, and it does not apply to Polaris 65/Turbo Turtle, 165/Super Turtle Automatic Swimming Pool Cleaners sold or installed in any other country. Polaris 65/Turbo Turtle, 165/Super Turtle Automatic Pool Cleaners sold in the United Kingdom are warranted for a period of two years from date of invoicing to the first user.

WARNING: USE OF POLARIS 65/TURBO TURTLE, 165/SUPER TURTLE IN A VINYL LINER POOL

Certain vinyl liner patterns are particularly susceptible to rapid surface wear or pattern removal caused by objects coming into contact with the vinyl surface, including pool brushes, pool toys, floats, fountains, chlorinated dispensers, and automatic pool cleaners. Some vinyl liner patterns can be seriously scratched or abraded simply by rubbing the surface with a pool brush. Ink from the pattern can also rub off during the installation process or when it comes into contact with objects in the pool. Zodiac Pool Systems, Inc., is not responsible for, and the Limited Warranty does not cover, pattern removal, abrasion or markings on vinyl liners.

U.S. Patents: 4,994,178; 5,014,912; 2,860,058; RE34,301 and other patents pending.

Foreign Patents: 610,303; 614,334; 615,498; 0,319,341; 0,319,342; 0,329,472; 1,307,881; 1,314,118; 1,335,166; P3871917.7.

Introduction

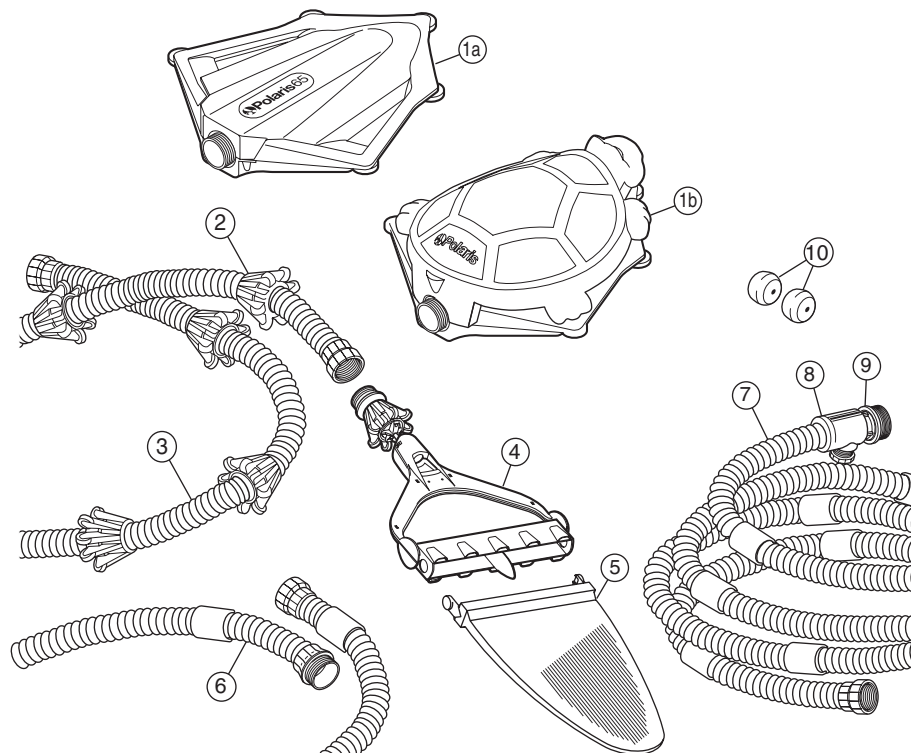
Congratulations on the purchase of your new automatic pool cleaner, and thank you for choosing Polaris. The Polaris 65/Turbo Turtle for above-ground pools and the Polaris 165/Super Turtle for in-ground vinyl or fiberglass pools are designed to give you years of dependable and efficient service.

Like most mechanical devices, these cleaners will require periodic adjustments, routine maintenance, and the replacement of certain hardworking parts. Please have your cleaner checked occasionally by your local Polaris dealer or authorized service center.

Always insist on genuine Polaris replacement parts. Non-Polaris parts are not made to our specifications. They may have an adverse effect on the operation of your Polaris or may even damage it. your Polaris or may even damage it.

Polaris Complete Cleaner

- | | |
|---|---|
| <ul style="list-style-type: none"> 1a. Surface Module 1b. Turtle Top 2. Wheel Cage 3. Sweep Hose 4. Jet Sweep Assembly 5. All-Purpose Bag | <ul style="list-style-type: none"> 6. Float Hose Extension with Connector – 165 and Super Turtle only 7. Float Hose 8. Quick Disconnect 9. Universal Wall Fitting (UWF) 10. Eyeball Regulators (2) – 165 and Super Turtle only |
|---|---|



Quick Installation Instructions

Three quick steps to install and get maximum performance from the Polaris:

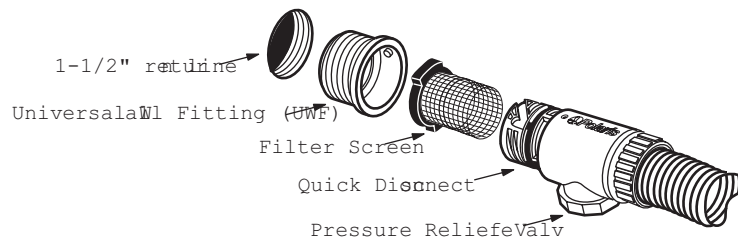
- Install the Universal Wall Fitting (UWF) with Quick Disconnect
- Adjust sweep hose to fit pool depth
- Adjust float hose to fit pool length

1

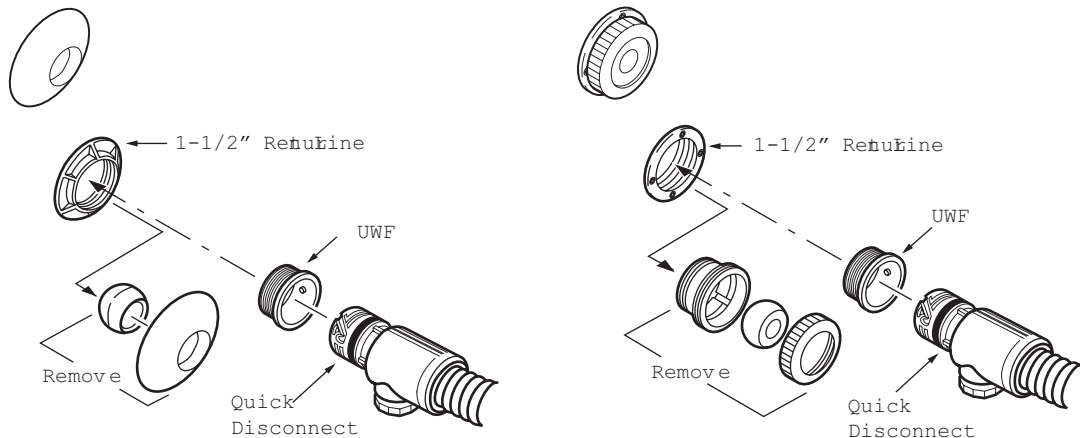
Install the Universal Wall Fitting

Installs in minutes on pools with a 1-1/2" female threaded return line.

1. Turn on the filtration pump and flush out the plumbing line. Turn pump off.
2. Polaris 165/Super Turtle Only — Use the return line nearest the center point of the longest pool wall for the Polaris. If there are two, choose the return line closest to the pool equipment. Place the eyeball regulator disks into the remaining return lines.
3. Remove the UWF from the Quick Disconnect and screw the UWF into the return opening.
4. Turn the Quick Disconnect clockwise into the UWF and pull away to secure.



If the return line has either of the fittings diagrammed below, remove the parts as shown and then install the UWF.

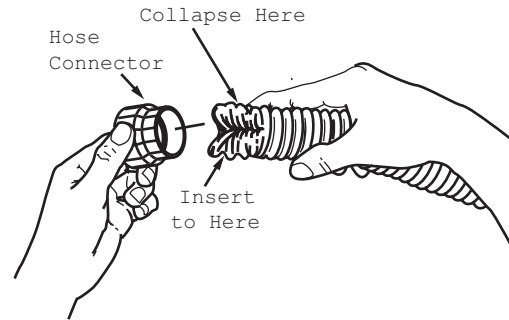


If the return line is a 1-1/4" or 2" eyeball fitting, order Polaris Adapter Kit (part #6-510-00) from an authorized Polaris dealer. If the return line differs from all of these, contact Polaris for assistance.

2

Adjust Sweep Hose to Fit Pool Depth

1. Measure the deepest part of the pool. Add two feet to this measurement to determine the correct length for the sweep hose.
2. If the sweep hose is longer than the measured amount, cut off the excess hose.
3. Remove the hose connector from the excess hose piece just cut.
4. Use fingers to collapse sweep hose. Push hose into connector until the first groove is inside.
5. Slide fingers inside hose, through connector, and pop hose back to original shape.



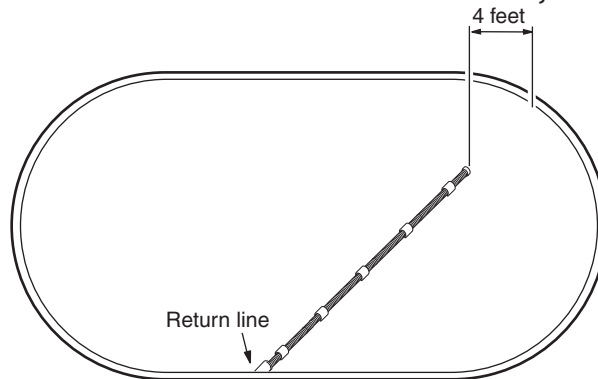
3

Adjust Float Hose to Fit Pool Length

With float hose attached to the pool wall at the return line, extend the hose to the farthest point of the pool. The end of the hose should be 4 feet shorter than this point.

Hose too long? Cut the excess float hose. Remove the hose connector from the excess hose piece and attach it to the new end of the float hose as instructed above.

Hose too short? For Polaris 165/Super Turtle only, add the float hose extension between the existing float hose section and the surface module. Remeasure and adjust as necessary.



1. Open the frame of filter bag completely and attach it to jets sweep assembly. Attach assembly to sweep hose.
2. Attach float hose and sweep hose to the surface module.
3. Put the Polaris in the pool and turn on the pool filtration pump.
4. Extend the float hose to the farthest point in the pool. When the pool pump is running, the surface module should be approximately one foot from the pool wall.

Fine Tuning the Polaris Cleaner

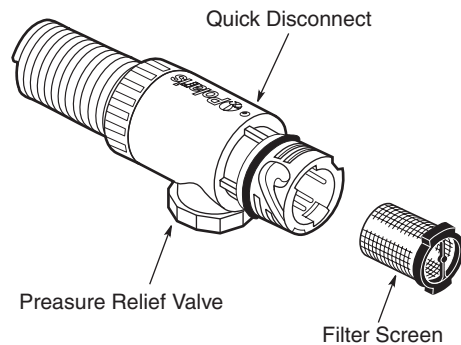
When operating correctly, the Polaris vacuums and sweeps all surfaces, moving randomly throughout the pool. The surface module floats on the water's surface recirculating clean, filtered water. The sweep hose and filter bag move across the pool floor collecting dirt and debris.

Approximately every 15-25 seconds the Polaris will change directions.

Pressure Relief Valve

The pressure relief valve in the Quick Disconnect automatically releases water if the Polaris is receiving too much water pressure. It can also be used to regulate the movement of the cleaner.

If the Polaris changes directions too quickly, adjust the pressure relief valve to slow the cleaner.

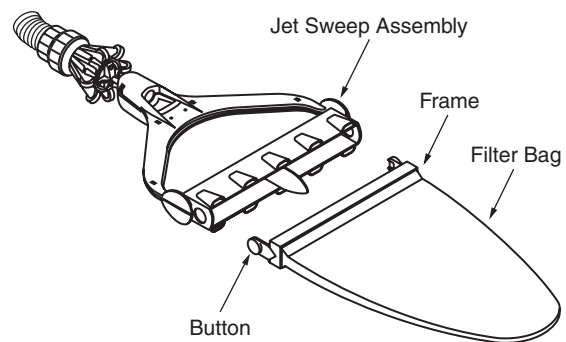


Routine Maintenance

Cleaning the Filter Bag

Depress the buttons on the jet sweep assembly to release the bag. Turn the filter bag inside-out to remove the debris.

Open frame completely and reattach bag.



Cleaning the Filter Screen

The filter screen inside the Quick Disconnect captures debris missed by the pool filtration system. To clean, pull it out, rinse it and press it back into place.

Backwashing the Pool Filter

Always disconnect the Polaris from the pool wall before cleaning or backwashing the pool filter. After cleaning or backwashing, let the filtration system run for at least five minutes to flush out the return lines before re-connecting the Polaris.

Storage and Winterizing

Never store the Polaris in direct sunlight. When storing for the winter, drain out all the water (frozen damage is not covered under the warranty). Remove the sweep jet assembly from the sweep hose and store it flat. Hang or lay the hoses straight. Remove all fittings from the return lines including the UWF. In some cases, it may be necessary to use the UWF Removal Tool (part # 10-102-00) available from an authorized Polaris dealer.

Troubleshooting

If the Polaris cleaner regularly displays the following actions, adjustments may be necessary to restore performance. Refer to exploded parts diagram for part references.

Action: Polaris does not clean the entire pool or runs slowly.

- Solution:**
1. Verify that the pressure relief valve is releasing water. If it is not, clean or backwash the pool filter.
 2. Check the filter screen in the quick disconnect and clean if necessary.
 3. Verify that the float hose is the proper length.
 4. Remove the surface module top. With the Polaris operating, verify that the randomizer tube is moving back and forth.

If it is not moving: Turn off pump, disconnect hoses, look into the mechanism and locate the filter connector inside the randomizer tube. If it is covered with debris or algae, remove the connector chamber, cylinder, and piston. Pull out the randomizer tube and clean the filter connector. If the connector is clean, replace the piston.

If it is moving: Watch the randomizer ball in the mechanism. If it does not move within 2 minutes, replace the randomizer tube and piston.

5. Verify that the water pressure is between 5 and 10 psi. A pressure tester (part #6-113-00) is available through your participating Polaris dealer.

Action: Surface module dives under the water or leans to one side.

- Solution:**
1. Straighten twisted hoses.
 2. Lift surface module out of the water, empty it and then shake it. If water is still heard inside, remove the top, pull out the drain plug assembly and drain the module.
 3. Adjust the pressure relief valve until the surface module levels off.
 4. Verify that the water pressure is between 5 and 10 psi. A pressure tester (part #6-113-00) is available from an authorized Polaris dealer.

Action: The float hose remains coiled.

- Solution:**
1. See "Polaris does not clean entire pool."
 2. Lay the float hose out straight in the sun to remove the coils.

Action: Surface module moves too fast.

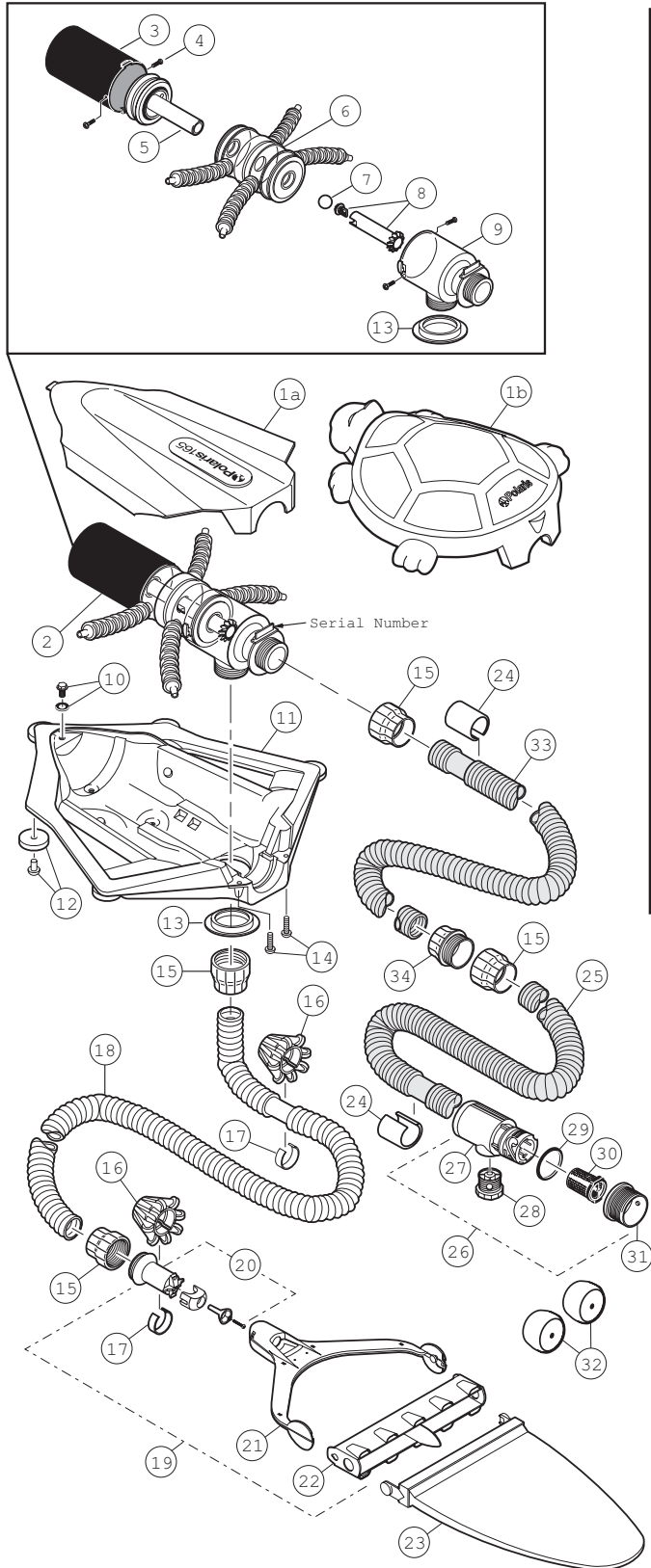
- Solution:**
1. Adjust the pressure relief valve until the surface module slows down.
 2. 165/Super Turtle only: Remove one of the eyeball regulators and readjust the pressure relief valve if necessary.
 3. Verify that the water pressure is between 5 and 10 psi.

Action: Bag does not stay on the pool floor.

- Solution:**
1. Verify that the bag has been installed correctly.
 2. Check for air bubbles around the jet body assembly. This may indicate air in the plumbing lines.
 3. See "Surface module moves too fast."

Polaris 165/Super Turtle

Exploded Parts Diagram

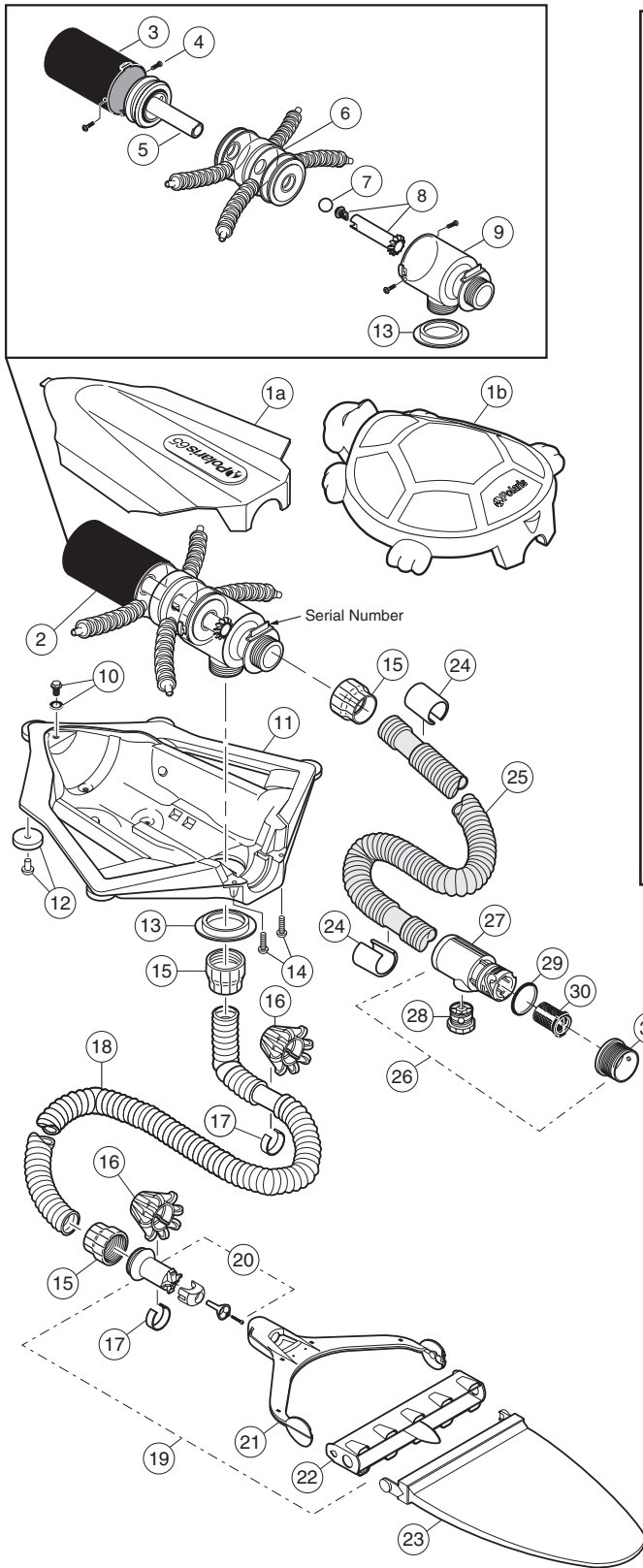


No.	Part #	Description	Qty.
1a	6-306-00	Surface Module Top, Granite	1
1b	6-309-00	Turtle Top	1
2	6-400-00	Mechanism	1
3	6-407-00	Cylinder	1
4	6-413-00	Screw, Mechanism, #6 x 5/16" SS Sheet Metal, Blunt-end	4
5	6-411-00	Piston Assembly	1
6	6-409-00	Center Chamber Assy	1
7	6-403-00	Randomizer Ball	1
8	6-406-00	Filter Connector/Randomizer Tube Kit 1	1
9	6-408-00	Connector Chamber	1
10	6-507-00	Drain Plug Assembly	1
11	6-305-00	Body Bottom Assembly	1
12	6-301-00	Body Bottom Wheel Kit	5
13	**	Support Collar	1
14	6-302-00	Screw, Top, #10 x 3/4" SS Sheet Metal, Pan Head	2
15	6-104-00	Hose Connector, Female	4
16	6-107-00	Wheel Cage Assembly	9
17	6-110-00	Hose Weight	9
18	6-114-00	Sweep Hose Complete, 10 Ft.	1
19	6-212-00	Jet Sweep Assembly	1
20	6-116-00	Jet Body Assembly	1
21	6-211-00	Jet Sweep Harness	1
22	6-210-00	Jet Sweep Head	1
23	6-206-00	All-Purpose Bag*	1
24	6-222-00	Float	24
25	6-225-00	Float Hose, 24 Foot (Hose only)	1
26	6-508-00	UWF Connector Assembly	1
27	6-502-00	Quick Disconnect, UWF	1
28	6-503-00	Pressure Relief Valve	1
29	6-505-00	O-Ring, UWF/QD	1
30	6-504-00	Filter Screen, UWF/QD	1
31	6-500-00	Universal Wall Fitting (UWF)	1
32	10-107-00	Eyeball Regulator	2
33	6-221-00	Float Hose Extension Kit, 8 Ft	1
34	6-103-00	Hose Connector, Male	1

* Wear items not covered by warranty.

Polaris 65/TurboTurtle

Exploded Parts Diagram



No.	Part #	Description	Qty.
1a	6-308-00	Surface Module Top, Blue	1
1b	6-309-00	Turtle Top	1
2	6-400-00	Mechanism	1
3	6-407-00	Cylinder	1
4	6-413-00	Screw, Mechanism, #6 x 5/16"	4
5	6-411-00	Piston Assembly	1
6	6-409-00	Center Chamber Assy	1
7	6-403-00	Randomizer Ball	1
8	6-406-00	Filter Connector/Randomizer Tube Kit	1
9	6-408-00	Connector Chamber	1
10	6-507-00	Drain Plug Assembly	1
11	6-305-00	Body Bottom Assembly	1
12	6-301-00	Body Bottom Wheel Kit	5
13	**	Support Collar	1
14	6-302-00	Screw, Top, #10 x 3/4" SS	2
15	6-104-00	Hose Connector, Female	3
16	6-107-00	Wheel Cage Assembly	6
17	6-110-00	Hose Weight	6
18	6-106-00	Sweep Hose Complete, 7 Ft.	1
19	6-212-00	Jet Sweep Assembly	1
20	6-116-00	Jet Body Assembly	1
21	6-211-00	Jet Sweep Harness	1
22	6-210-00	Jet Sweep Head	1
23	6-206-00	All-Purpose Bag*	1
24	6-222-00	Float	24
25	6-225-00	Float Hose, 24 Foot	1
26	6-508-00	UWF Connector Assembly	1
27	6-502-00	Quick Disconnect, UWF	1
28	6-503-00	Pressure Relief Valve	1
29	6-505-00	O-Ring, UWF/QD	1
30	6-504-00	Filter Screen, UWF/QD	1
31	6-500-00	Universal Wall Fitting (UWF)	1

*Wear items not covered by warranty.

Informations importantes

- Avant d'installer le Polaris, s'assurer que le filtre de la piscine est propre.
- Rincer les nouvelles conduites avant d'installer le Polaris.
- Ne jamais manipuler le Polaris lorsqu'il est en marche.
- Toujours enlever le Polaris avant qu'un nageur entre dans la piscine.
- Toujours déconnecter le Polaris de la paroi de la piscine avant de procéder à un nettoyage ou au lavage par refoulement du filtre.
- Après le nettoyage ou le lavage par refoulement, laisser le système de filtration en marche pendant au moins cinq minutes avant de reconnecter le Polaris.
- Toujours enlever le Polaris de la piscine avant de procéder à un traitement chimique de choc.

Service clientèle ou assistance technique :

- Immédiatement retourner la carte de garantie.
- Assistance technique en ligne : www.polarispool.com
- Pour contacter Polaris :
US and Canada
Customer Service
2620 Commerce Way
Vista, CA 92081-8438
1-800-822-7933

Polaris Garantie

Vous avez choisi la marque Polaris Vac-Sweep® 65/Polaris Turbo Turtle®, Polaris Vac-Sweep® 165/Polaris Super Turtle® et nous vous remercions de votre confiance. Ce produit a été conçu, fabriqué et contrôlé avec le plus grand soin afin qu'il vous donne entière satisfaction.

La durée de la garantie est fixée à 2 ans à partir de la date de facturation au premier utilisateur.

AVERTISSEMENT CONCERNANT L'UTILISATION DU POLARIS DANS UNE PISCINE A REVETEMENT VINYLE

La surface de certains revêtements vinyle à motifs peut s'user rapidement et les motifs peuvent disparaître au contact d'objets tels que brosses de nettoyage, jouets, bouées, fontaines, distributeurs de chlore et nettoyeur de piscine automatique. Les motifs de certains revêtements vinyle peuvent être égratignés ou usés par simple frottement, tel qu'avec une brosse de piscine. La couleur de certains motifs peut également s'effacer pendant l'installation ou en cas de contact avec des objets présents dans la piscine. Les motifs effacés, l'usure ou l'égratignure des revêtements vinyle ne relèvent pas de la responsabilité de Zodiac Pool Systems, Inc., et ne sont pas couverts par la garantie limitée.

Introduction

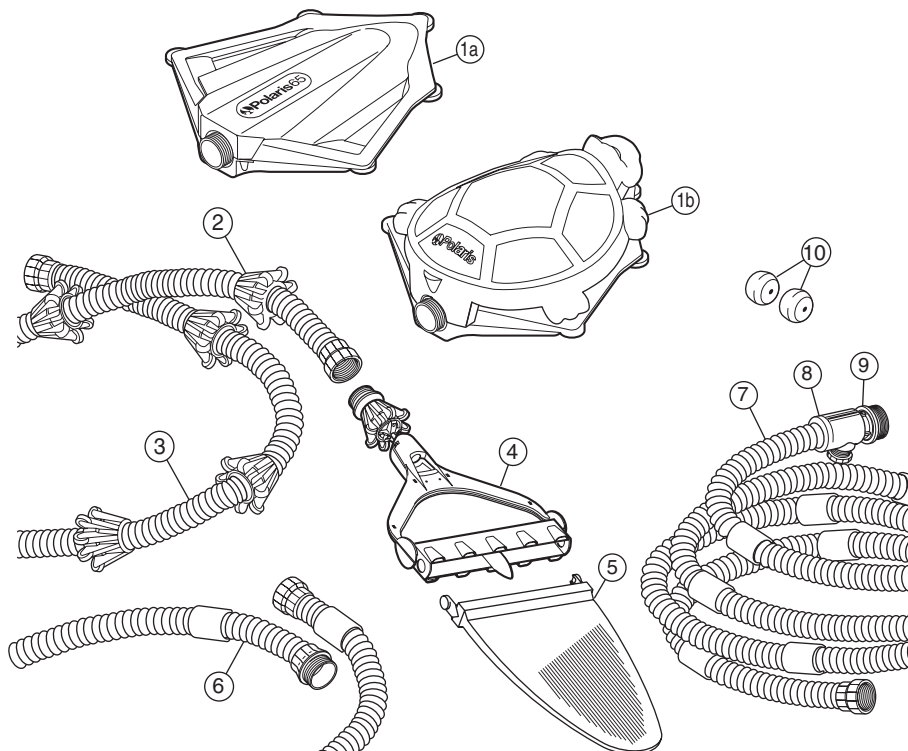
Félicitations pour l'achat d'un nouveau nettoyeur de piscine automatique et nos remerciements d'avoir choisi un produit Polaris. Les nettoyeurs Polaris 65 et Turbo Turtle pour piscines hors sol et les modèles Polaris 165 et Super Turtle pour piscines enterrées en vinyle ou en fibre de verre sont destinées à vous assurer des années de service fiable et efficace.

Comme la plupart des dispositifs mécaniques, le Polaris doit être ajusté périodiquement, entretenu avec régularité et équipé de nouvelles pièces après une utilisation prolongée. Faire vérifier occasionnellement l'appareil par le distributeur local ou le centre de service Polaris.

N'utiliser que des pièces de rechange Polaris d'origine. Les pièces qui n'ont pas été fabriquées par Polaris ne satisfont pas à nos spécifications. Elles peuvent entraver le fonctionnement du Polaris, voire l'endommager.

Polaris Complets

- 1a. Module de surface
- 1b. Partie supérieure de la Tortue
- 2. Cage de roue
- 3. Tuyau de balayage
- 4. Tête de balayage à jets
- 5. Sac tous usages
- 6. Rallonge de tuyau à flotteurs avec connecteur – Uniquement pour les Polaris 165 et Super Turtle
- 7. Tuyau à flotteurs
- 8. Connexion rapide
- 9. Raccord Mural Universel (UWF)
- 10. Régulateurs pour rotule (2) – Uniquement pour les Polaris 165 et Super Turtle



Instructions d'installation rapide

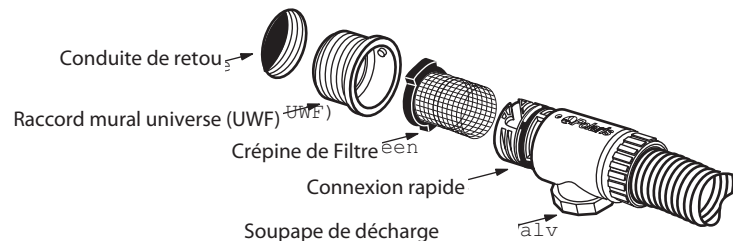
Trois étapes rapides pour installer le Polaris et obtenir des performances maximums :

- Installation du raccord mural universel (UWF) avec la connexion rapide et les régulateurs de rotule.
- Adaptation de la longueur du tuyau de balayage à la profondeur de la piscine.
- Adaptation du tuyau à flotteurs à la longueur de la piscine.

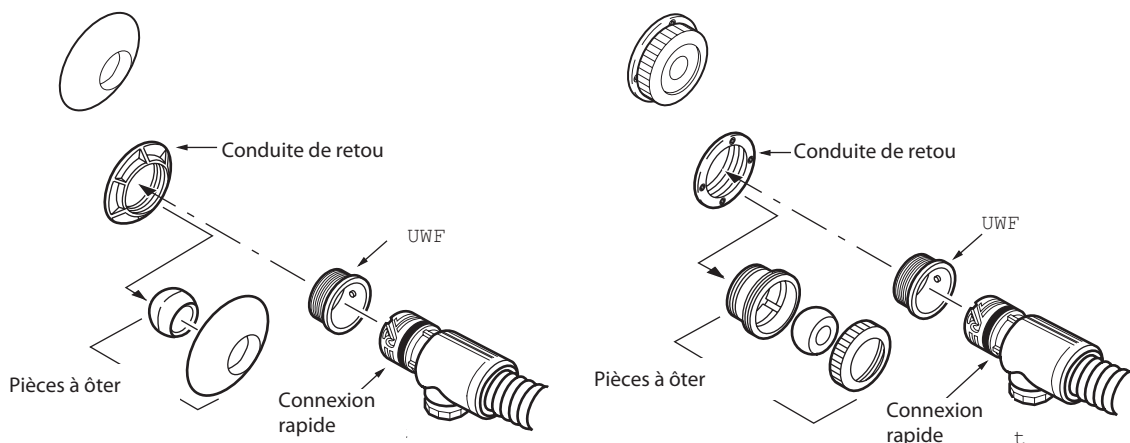
1 Installation du raccord mural universel (UWF)

L'installation se fait en quelques minutes dans les piscines équipées d'une conduite de retour à filetage femelle de 1-1/2 pouces (3,8 cm).

1. Mettre la pompe de filtrage en marche et rincer les conduites. Arrêter la pompe.
2. Polaris 165/Super Turtle uniquement — Utiliser la conduite de retour la plus proche du centre du mur le plus long de la piscine pour le Polaris. S'il y en a deux, utiliser celle qui est la plus proche de la machinerie de la piscine. Placer les disques du régulateur de rotule dans les conduites de retour restantes.
3. Enlever le raccord mural universel (UWF) de la connexion rapide, puis le visser sur l'ouverture d'aspiration.
4. Introduire la connexion rapide dans le raccord mural universel (UWF) en tournant dans le sens des aiguilles d'une montre, puis tirer pour verrouiller.



Si la conduite de retour est pourvue de l'un des raccords illustrés ci-dessous, ôter les pièces comme indiqué puis installer le raccord mural universel (UWF).

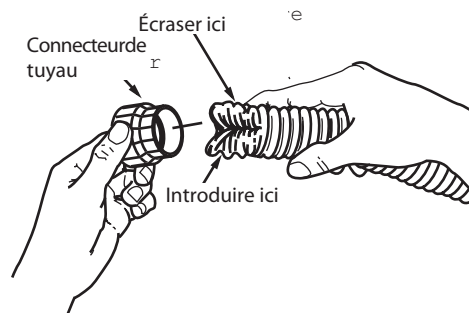


Pour adapter une conduite de retour de 1-1/4 pouces (3,2 cm) ou de 2 pouces (5 cm), utilisez le UWF Kit d'adaptateur Polaris livré avec votre nettoyeur. Si la conduite de retour est différente, s'adresser à Polaris pour obtenir de l'aide.

2

Adaptation du tuyau de balayage à la profondeur de la piscine

1. Mesurer l'endroit de la piscine où la profondeur est la plus grande. Ajouter deux pieds (60 cm) à cette mesure pour déterminer la longueur correcte pour le tuyau de balayage.
2. Si le tuyau de balayage est plus long que la longueur mesurée, couper la section de tuyau en excès.
3. Retirer le connecteur de tuyau de la section de tuyau en excès que l'on vient juste de couper.
4. Écraser le tuyau de balayage avec les doigts. Enfoncer le tuyau dans le connecteur jusqu'à ce que la première gorge se trouve à l'intérieur.
5. Glisser les doigts à l'intérieur du tuyau, à travers le connecteur, et redonner au tuyau sa forme originale.



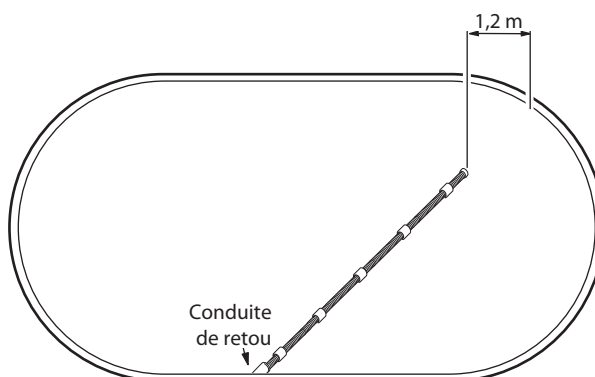
3

Adaptation du tuyau à flotteurs à la longueur de la piscine.

Lorsque le tuyau est connecté à la conduite de retour sur la paroi de la piscine, tendre le tuyau jusqu'à ce qu'il atteigne le point le plus éloigné de la piscine. L'extrémité du tuyau doit se trouver à une distance inférieure de 4 pieds (1,20 m) à la distance de ce point.

Le tuyau est-il trop long ? Couper la section en excès du tuyau à flotteurs. Enlever le connecteur de tuyau de cette section et le fixer à la nouvelle extrémité du tuyau à flotteurs, selon les instructions ci-dessus.

Le tuyau est-il trop court ? Pour les Polaris 165/Super Turtle uniquement, ajouter la rallonge de tuyau à flotteurs entre la section de tuyau à flotteurs existante et le module de surface. Mesurer à nouveau et faire les ajustements nécessaires.



1. Ouvrir complètement le cadre du sac de filtration et le fixer à la tête de balayage à jets. Fixer la tête au tuyau de balayage.
2. Fixer le tuyau à flotteurs et le tuyau de balayage au module de surface.
3. Placer le Polaris dans la piscine et mettre la pompe de filtration de la piscine en marche.
4. Tirer sur le tuyau à flotteurs pour qu'il atteigne le point le plus éloigné de la piscine. Lorsque la pompe de la piscine fonctionne, le module de surface doit se trouver à environ 30 cm du mur de la piscine.

Réglage fin du nettoyeur Polaris

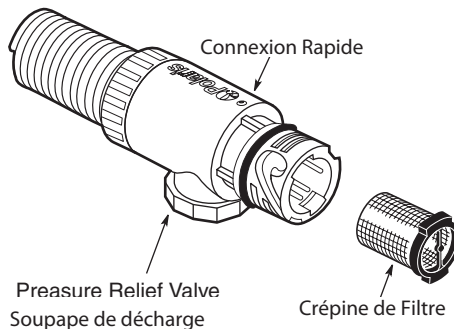
Lorsqu'en nettoyeur Polaris fonctionne correctement, il aspire et balaye toutes les surfaces de la piscine en suivant un parcours aléatoire. Le module de surface flotte à la surface de l'eau en faisant recirculer de l'eau propre et filtrée. Le tuyau de balayage et le sac de filtration se déplacent à travers le sol de la piscine en recueillant les saletés et les débris.

Le Polaris change de direction environ toutes les 15 à 25 secondes.

Soupape de décharge

La soupape de décharge du raccord de connexion rapide évacue automatiquement l'eau si le Polaris vient à se trouver sous une pression d'eau trop élevée. Elle peut également servir à régler le mouvement du nettoyeur.

Si le Polaris change de direction trop rapidement, régler la soupape de décharge pour ralentir le nettoyeur.

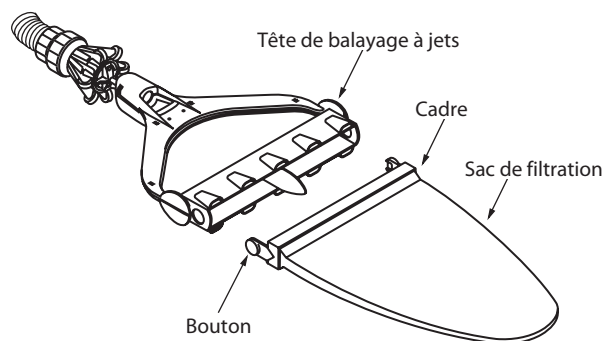


Entretien normal

Nettoiege du sac de filtre

Appuyer sur les boutons de la tête de balayage à jets pour libérer le sac. Retourner le sac de filtration pour faire sortir les débris.

Ouvrir complètement le cadre et y fixer le sac de nouveau.



Nettoyage de la crépine de filtre

La crépine de filtre à l'intérieur du raccord de connexion rapide capte les débris que le système de filtration de la piscine n'a pas pu arrêter. Pour la nettoyer, tirer pour la faire sortir du raccord puis l'enfoncer dans le raccord pour la remettre en place après l'avoir nettoyée.

Lavage à contre-courant du filtre de la piscine

Toujours déconnecter le Polaris de la paroi de la piscine avant de procéder à un nettoyage ou au lavage à contre-courant du filtre de la piscine. Après un nettoyage ou lavage à contre-courant, laisser fonctionner le système de filtrage pendant au moins cinq minutes pour rincer les conduites de retour, puis reconnecter le Polaris.

Entreposage préparation à l'hivernage

Ne jamais entreposer le Polaris dans un endroit où il serait exposé aux rayons directs du soleil. Pour le ranger pendant l'hiver, vider toute l'eau (les dégâts provoqués par le gel ne sont pas couverts par la garantie). Enlever la tête de balayage à jets du tuyau de balayage et la ranger à plat. Suspendre les tuyaux ou les poser à plat, déroulés. Enlever tous les raccords des conduites de retour, y compris le raccord mural universel (UWF). Dans certains cas, il sera nécessaire d'utiliser l'outil de déconnexion du raccord mural universel (UWF) (référence 10-102-00) disponible chez le distributeur Polaris agréé.

Dépannage

Si le nettoyeur Polaris présente souvent l'un des comportements suivants, un réglage est sans doute nécessaire pour obtenir un fonctionnement correct. Veuillez consulter la vue éclatée des pièces pour trouver les références des pièces.

Action : Le Polaris ne nettoie pas toute la piscine ou se déplace lentement.

- Solution:**
1. Vérifier si la soupape de décharge évacue de l'eau. Si non, nettoyer le filtre de la piscine directement ou par lavage à contre-courant.
 2. Vérifier la crépine de filtre dans la connexion rapide et la nettoyer, le cas échéant.
 3. Vérifier que le tuyau à flotteurs est de la bonne longueur.
 4. Enlever la partie supérieure du module de surface. Quand le Polaris fonctionne, vérifier que le tube permettant le déplacement aléatoire se déplace d'avant en arrière.

S'il ne bouge pas : Arrêter la pompe, déconnecter les tuyaux, inspecter le mécanisme et repérer le connecteur de filtre à l'intérieur du tube permettant le déplacement aléatoire. S'il est couvert de débris ou d'algues, enlever la chambre du connecteur, le cylindre et le piston. Tirer sur le tube permettant le déplacement aléatoire et nettoyer le connecteur de filtre. Si le connecteur est propre, remplacer le piston.

S'il se déplace : Observer la bille du tube de déplacement aléatoire dans le mécanisme. Si elle ne bouge pas dans un délai de 2 minutes, remplacer le tube de déplacement aléatoire et le piston.

5. Vérifier si la pression de l'eau est entre 5 et 10 psi (35 et 70 kPa). On peut se procurer un vérificateur de pression (référence 6-113-00) auprès d'un distributeur Polaris agréé.

Action : Le module de surface plonge sous l'eau ou penche d'un côté.

- Solution:**
1. Éliminer les torsades des tuyaux.
 2. Soulever et sortir le module de surface de l'eau, le vider et le secouer. Si l'on entend de l'eau emprisonnée à l'intérieur, enlever la partie supérieure du module, sortir l'ensemble du bouchon de vidange et vider le module.
 3. Régler la soupape de décharge jusqu'à ce que le module de surface soit d'aplomb.
 4. Vérifier si la pression de l'eau est entre 5 et 10 psi (35 et 70 kPa). On peut se procurer un vérificateur de pression (référence 6-113-00) auprès d'un distributeur Polaris agréé.

Action : Le tuyau à flotteurs reste torsadé.

- Solution:**
1. Voir la section : « Le Polaris ne nettoie pas toute la piscine ».
 2. Étendre le tuyau à flotteurs à plat et le laisser au soleil pour s'étirer et se détorsader.

Action : Le module de surface se déplace trop vite.

- Solution:**
1. Régler la soupape de décharge jusqu'à ce que le module de surface ralentisse.
 2. Polaris 165/Super Turtle uniquement: Enlever l'un des régulateurs de rotation et régler à nouveau la soupape de décharge, le cas échéant.
 3. Vérifier si la pression de l'eau est entre 5 et 10 psi (35 et 70 kPa).

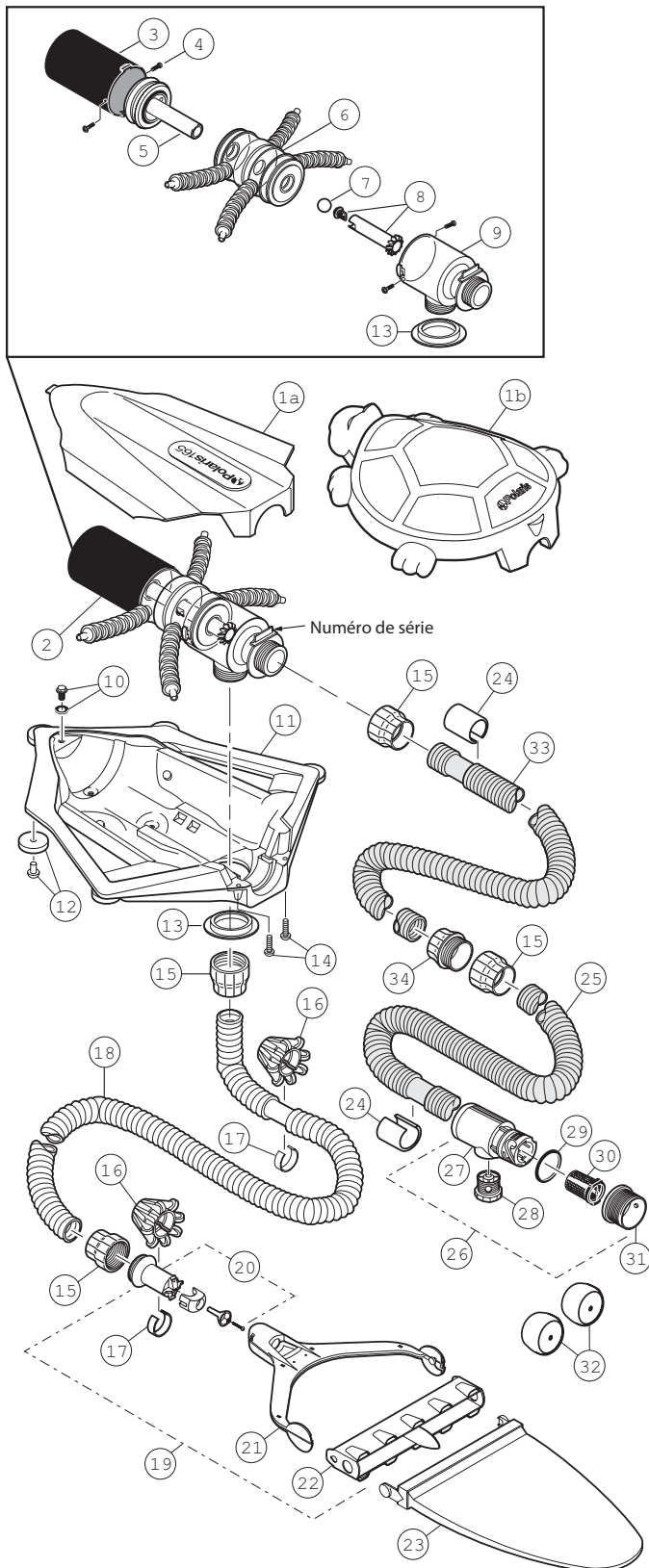
Action : Le sac ne reste pas sur le sol, au fond de la piscine.

- Solution:**
1. Vérifier si le sac est correctement installé.
 2. Vérifier s'il y a des bulles d'air autour de la tête de balayage à jets. Leur présence peut indiquer qu'il y a de l'air dans la tuyauterie.
 3. Voir la section : « Le module de surface se déplace trop vite ».

Polaris 165/Super Turtle

Vue éclatée

Français

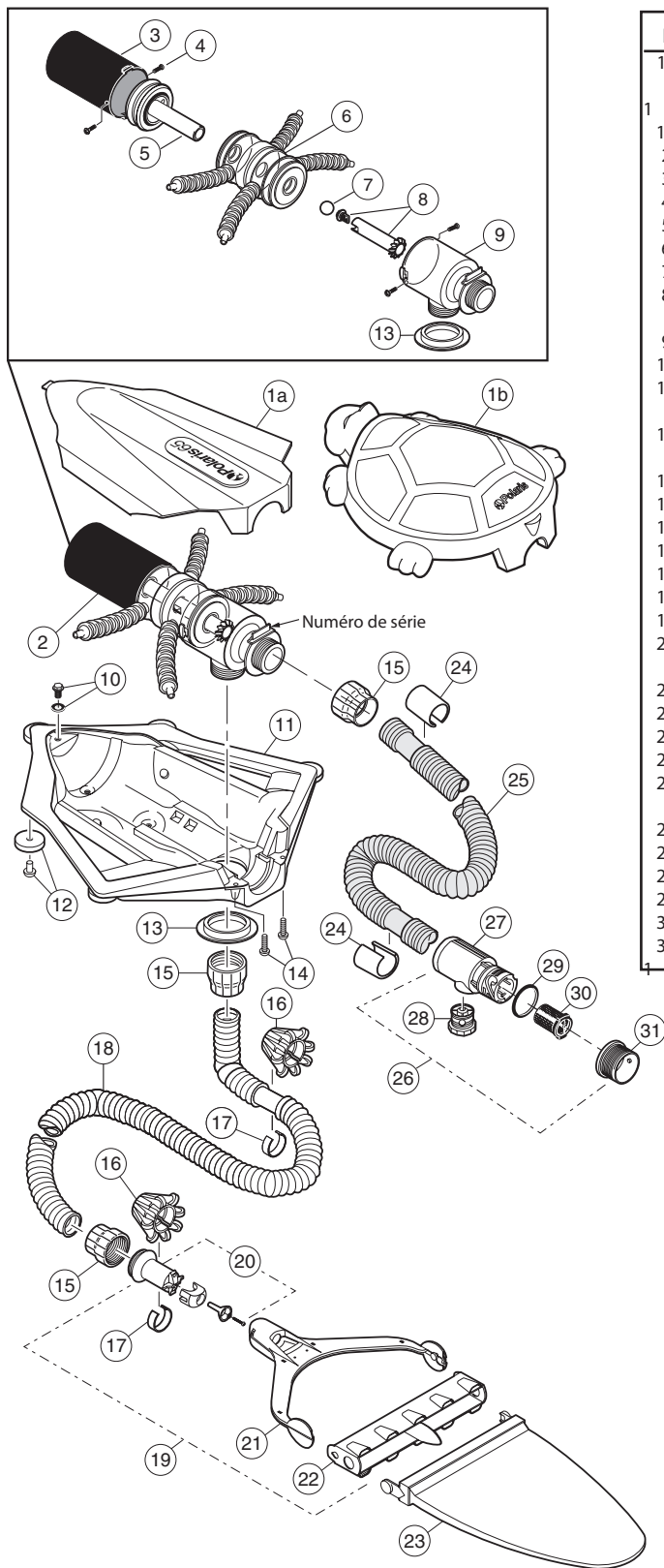


N°	N° de pièce	Description	Qté
1a	6-306-00	Partie supérieure du module de surface, granitée	
1b	6-309-00	Partie supérieure de la Tortue	1
2	6-400-00	Mécanisme	1
3	6-407-00	Cylindre	1
4	6-413-00	Vis, mécanisme, n° 6 x 5/16" 4	
5	6-411-00	Ensemble de piston	1
6	6-409-00	Ensemble de chambre centrale	1
7	6-403-00	Bille de mouvement aléatoire	1
8	6-406-00	Kit de connecteur de filtre/tube de déplacement aléatoire	1
9	6-408-00	Chambre du connecteur	1
10	6-507-00	Ensemble du bouchon de vidange	1
11	6-305-00	Ensemble de la partie inférieure du corps de tortue	1
12	6-301-00	Kit de roue pour la partie inférieure du corps de tortue	5
13	**	Collier de retenue	1
14	6-302-00	Vis, partie supérieure, n° 10 x 3/4"	2
15	6-104-00	Connecteur de tuyau, extrémité femelle	4
16	6-107-00	Cage de roue	9
17	6-110-00	Lest de tuyau	9
18	6-114-00	Tuyau de balayage complet, 3 m	1
19	6-212-00	Ensemble du système de balayage à jets	1
20	6-116-00	Ensemble du corps du système de balayage à jets	1
21	6-211-00	Fourche de la tête de balayage à jets	1
22	6-210-00	Tête de balayage à jets	1
23	6-206-00	Sac tous usages*	1
24	6-222-00	Flotteur	24
25	6-225-00	Tuyau à flotteurs, 7,30 m (tuyau uniquement)	1
26	6-508-00	Ensemble de connecteur d'UWF	1
27	6-502-00	Connexion rapide, UWF	1
28	6-503-00	Soupape de décharge	1
29	6-505-00	Joint torique, UWF/QD	1
30	6-504-00	Crépine de Filtre, UWF/QD	1
31	6-500-00	Raccord Mural Universel (UWF)	1
32	10-107-00	Régulateur pour rotule	2
33	6-221-00	Kit de tuyau à flotteurs, 2,45 m	1
34	6-103-00	Connecteur de tuyau, extrémité mâle	1

*Les pièces consommables ne sont pas couvertes par la garantie.

Polaris 65/Turbo Turtle

Vue éclatée



N°	N° de pièce	Description	Qté
1a	6-306-00	Partie supérieure du module de surface, bleu	
1b	6-309-00	Partie supérieure de la Tortue	1
2	6-400-00	Mécanisme	1
3	6-407-00	Cylindre	1
4	6-413-00	Vis, mécanisme, n° 6 x 5/16"4	
5	6-411-00	Ensemble de piston	1
6	6-409-00	Ensemble de chambre centrale	1
7	6-403-00	Bille de mouvement aléatoire	1
8	6-406-00	Kit de connecteur de filtre/tube de déplacement aléatoire	1
9	6-408-00	Chambre du connecteur	1
10	6-507-00	Ensemble du bouchon de vidange	1
11	6-305-00	Ensemble de la partie inférieure du corps de tortue	1
12	6-301-00	Kit de roue pour la partie inférieure du corps de tortue	5
13	**	Collier de retenue	1
14	6-302-00	Vis, partie supérieure, n° 10 x 3/4"	2
15	6-104-00	Connecteur de tuyau, extrémité femelle	4
16	6-107-00	Cage de roue	9
17	6-110-00	Lest de tuyau	9
18	6-114-00	Tuyau de balayage complet, 3 m	1
19	6-212-00	Ensemble du système de balayage à jets	1
20	6-116-00	Ensemble du corps du système de balayage à jets	1
21	6-211-00	Fourche de la tête de balayage à jets	1
22	6-210-00	Tête de balayage à jets	1
23	6-206-00	Sac tous usages*	1
24	6-222-00	Flotteur	24
25	6-225-00	Tuyau à flotteurs, 7,30 m (tuyau uniquement)	1
26	6-508-00	Ensemble de connecteur d'UWF	1
27	6-502-00	Connexion rapide, UWF	1
28	6-503-00	Soupape de décharge	1
29	6-505-00	Joint torique, UWF/QD	1
30	6-504-00	Crépine de Filtre, UWF/QD	1
31	6-500-00	Raccord Mural Universel (UWF)	

*Les pièces consommables ne sont pas couvertes par la garantie.

Français

Wichtige Informationen

- Stellen Sie vor der Installation des Polaris sicher, dass der Poolfilter sauber ist.
- Neu installierte Rohrleitungen sollen vor Installation des Polaris sauber durchgespült werden.
- Der Polaris soll niemals gehandhabt werden, wenn er in Betrieb ist.
- Den Polaris vom Pool entfernen, wenn sich Badende im Pool befinden.
- Den Polaris immer von der Poolwand entfernen, wenn der Poolfilter gereinigt oder rückgespült wird.
- Nachdem reinigen oder rückspülen das Filtersystem mindestens fünf Minuten laufen lassen, bevor man den Polaris anschließt
- Vor Hinzufügung von Chemikalien, den Polaris immer vom Pool entfernen.

Kundendienst:

- Garantiekarte bitte sofort einsenden.
- Für Online Unterstützung: www.polarispool.com
- So können Sie Polaris finden:
US and Canada
Customer Service
2620 Commerce Way
Vista, CA 92081-8438
1-800-822-7933

Polaris Garantie

Sie haben sich für die Marke Polaris Vac-Sweep® 65 / Polaris Turbo Turtle®, Polaris Vac-Sweep® 165 / Polaris Super Turtle® entschieden, und wir danken Ihnen für Ihr Vertrauen. Dieses Produkt wurde mit größter Sorgfalt entwickelt, hergestellt und geprüft, damit es zu Ihrer vollen Zufriedenheit funktioniert.

Die Garantiezeit ist auf 2 Jahre ab Rechnungsdatum des Ersterwerbs festgelegt.

WARNHINWEIS: ANWENDUNG DES POLARIS IN EINEM POOL MIT VINYLEINSATZ

Bestimmte Muster des Vinyleinsatzes sind ganz besonders auf schnelle Oberflächenabnutzung oder Abnutzung des Musters durch Gegenstände, die mit der Vinyloberfläche in Berührung kommen, einschließlich der Poolbürste, Poolspielsachen, Schwimmkörper, Springbrunnen, Chlorverteiler und automatischem Poolreiniger, anfällig. Manche Muster können durch Bürsten der Oberfläche stark verkratzt oder abgeschürft werden. Es kann auch vorkommen, dass sich während der Installation die Farbe des Musters abreibt, wenn der Vinyleinsatz mit Gegenständen im Pool in Kontakt kommt. Zodiac Pool Systems Inc., sowie die eingeschränkte Haftung von Zodiac Pool Systems, Inc., haften nicht für Abreibungen des Musters, so wie Abschürfungen oder Markierungen am Vinyleinsatz.

Einleitung

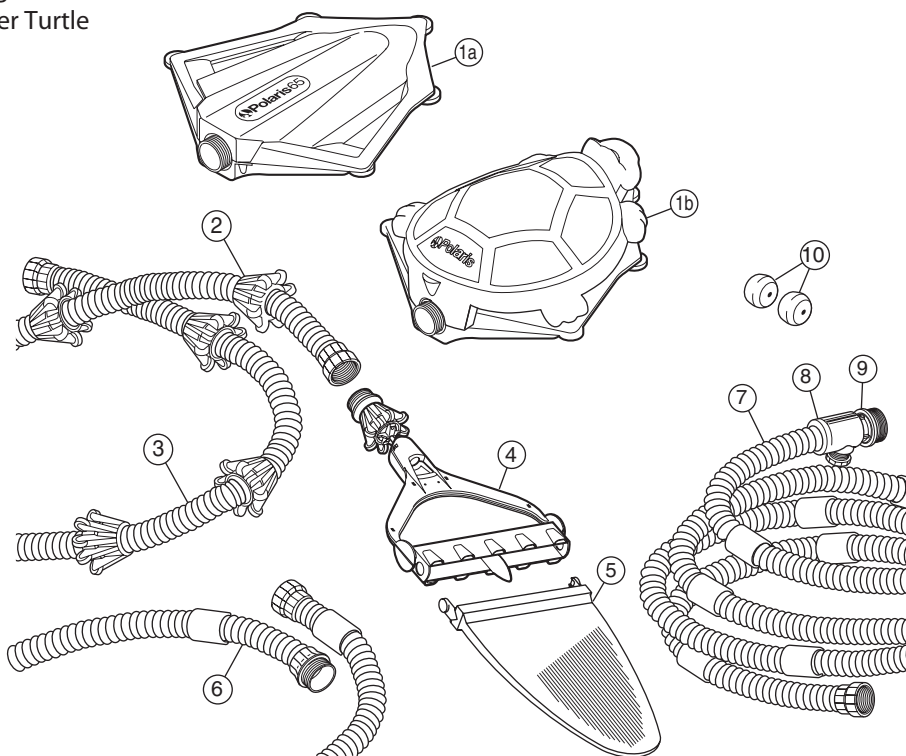
Es freut uns, dass Sie sich zum Kauf des neuen, automatischen Poolreinigers entschlossen haben und wir bedanken uns, dass Sie Polaris gewählt haben. Die Polaris 65/Turbo Turtle für überirdische Swimmingpools und die Polaris 165/Super Turtle für in den Boden eingelassene Vinyl- oder Fiberglas Swimmingpools, ist so entworfen, dass sie Jahre lang zuverlässigen und ausgezeichneten Service bieten.

Wie die meisten mechanischen Geräte, so muss auch der Polaris periodisch nachgestellt und routinemäßige Wartungsarbeiten, mit eventueller Ersetzung bestimmter Stressteile, durchgeführt werden. Stellen Sie sicher, dass Sie Ihren Polaris ab und zu von Ihrem örtlichen Polaris Händler oder von einem berechtigten Service Center warten lassen.

Bestehen Sie immer auf Originalersatzteilen von Polaris. Ersatzteile die nicht von Polaris stammen entsprechen nicht unseren Vorschriften. Es kann sein, dass sich diese Teile negativ auf die Funktion Ihres Polaris auswirken oder diesen sogar beschädigen.

Polaris kompletter Reiniger

- | | |
|---|---|
| 1a. Oberflächenmodul | 7. Schwimmschlauch |
| 1b. Turtle Top | 8. Quick Trenner |
| 2. Radkasten | 9. Universale Wandhalterung (UWH) |
| 3. Spülschlauch | 10. Kugelregler(2) – nur für den 165er und für die Super Turtle |
| 4. Jet-Spülbausatz | |
| 5. Allzweckbeutel | |
| 6. Schwimmschlauchverlängerung mit Anschluss – nur für den 165er und für die Super Turtle | |



Quick Installationsanleitung

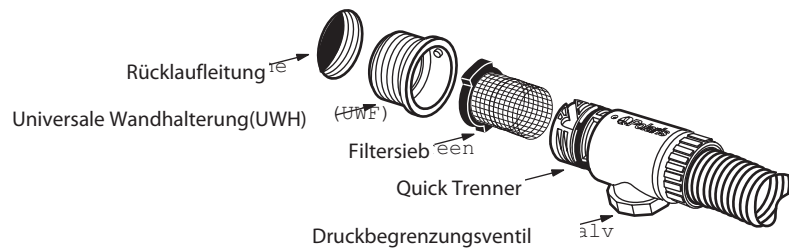
Drei kurze Schritte zur Installation und maximalen Leistung des Polaris:

- Universale Wandhalterung (UWH) mit dem Quick Trenner und dem Kugelregler installieren.
- Spülschlauch je nach Pooltiefe einstellen
- Schwimmschlauch je nach Poollänge einstellen

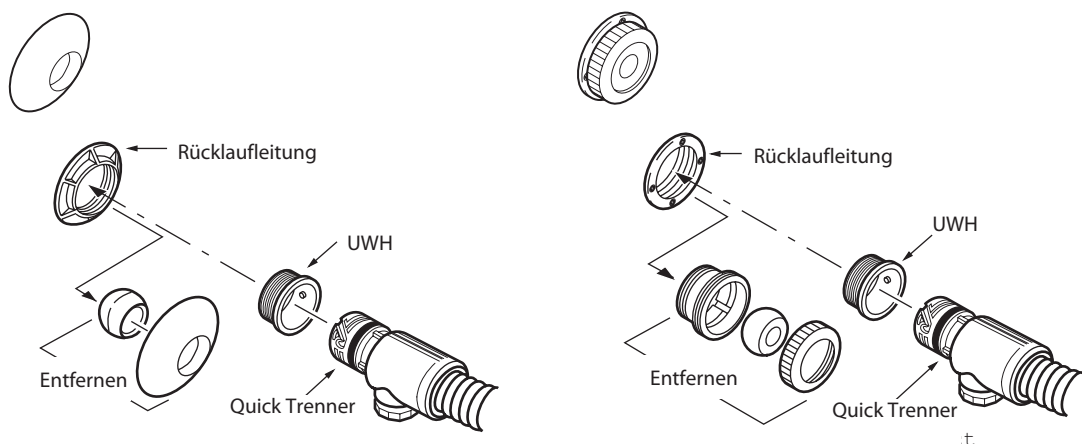
Installation der universalen Wandhalterung

In Minuten bei Pools, mit einer 1 1/2 Zoll (3,8 cm) Innengewinde Rücklaufleitung, installiert.

1. Die Filterpumpe einschalten und die Rohrleitungen durchspülen. Pumpe ausschalten.
2. Nur für Polaris 165/Super Turtle — Nehmen Sie die Rücklaufleitung die sich am nächsten zum Mittelpunkt der längsten Poolwand des Polaris liegt. Wenn es zwei Leitungen gibt, dann wählen Sie die Leitung die der Poolausstattung näher liegt. Legen Sie die Kugelreglerscheiben in die restlichen Leitungen ein.
3. Den UWH von dem Quick Trenner entfernen und in die Rücklauföffnung einschrauben.
4. Den Quick Trenner im Uhrzeigersinn in den UWH drehen und festziehen um diesen zu sichern.



Wenn die Rücklaufleitung eine, der unten auf gezeichneten Anschlüsse aufweist, entfernen Sie die Teile wie angezeigt und installieren Sie dann die universale Wandhalterung UWH.

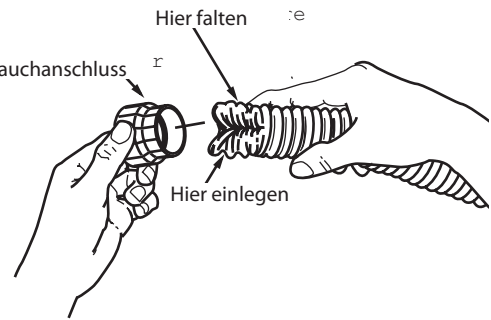


Um 1-1/4 Zoll (3,2 cm) oder eine 2 Zoll (5 cm) Rücklaufleitung anzupassen, benutzen Sie bitte das UWH Polaris-Adapter-Kit, das dem Reiniger beiliegt. Wenn sich die Rücklaufleitung davon wesentlich unterscheidet, dann bitten Sie Ihren Polaris Händler um Hilfe.

2

Spülschlauch ja nach Pooltiefe einstellen

1. Messen Sie die tiefste Stelle des Pools. Rechnen Sie zwei Fuss (60 cm) dazu, um die genaue Länge des Spülschlauches zu errechnen.
2. Wenn der Spülschlauch länger als das abgemessene Stück ist, dann schneiden Sie das überschüssige Schlauchstück ab.
3. Entfernen Sie das Schlauchverbindungsstück vom überschüssigen Schlauchstück, welches Sie eben abgeschnitten haben.
4. Falten Sie den Spülschlauch mit den Fingern zusammen. Drücken Sie den Schlauch in das Verbindungsstück bis die erste Kannelierung innen drinnen ist.
5. Greifen Sie mit den Fingern durch das Verbindungsstück innen in den Schlauch hinein und lassen Sie den Schlauch in die ursprüngliche Form einrasten.



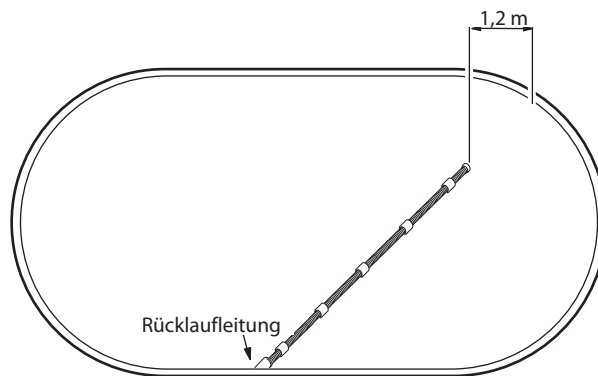
3

Schwimmschlauch je nach Poollänge einstellen

Mit dem Schlauch, durch die Rücklaufleitung an die Poolwand verbunden, ziehen Sie den Schlauch bis zum längsten Ende des Pools. Das Schlauchende soll 4 Fuss (120 cm) kürzer sein als bis zu diesem Punkt.

Ist der Schlauch zu lang? Überschüssigen Schwimmschlauch abschneiden. Schlauchverbindung vom überschüssigen und abgeschnittenen Schlauchstück entfernen und es an das neue Ende des Schwimmschlauches, wie oben angegeben, befestigen.

Ist der Schlauch zu kurz? Nur für Polaris 165/Super Turtle – fügen Sie die Schwimmschlauchverlängerung zwischen das gegenwärtige Schwimmschlauchteil und das Oberflächenmodul ein. Messen Sie erneut und stellen Sie es entsprechend neu ein, wenn dies nötig ist.



1. Öffnen Sie den Rahmen des Filterbeutels komplett und befestigen Sie ihn an den Jet Spülbausatz. Befestigen Sie den Bausatz dann an den Spülschlauch.
2. Befestigen Sie den Schwimmschlauch und den Spülschlauch an das Oberflächenmodul.
3. Geben Sie den Polaris in den Pool und schalten Sie die Poolfilterpumpe ein.
4. Ziehen Sie den Schwimmschlauch bis zum entferntesten Ende des Pools. Wenn die Poolpumpe läuft, soll das Oberflächenmodul etwa 30 cm von der Poolwand entfernt sein.

Feineinstellung des Polaris Reinigers

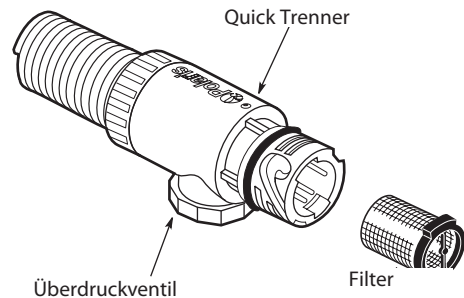
Wenn der Polaris richtig funktioniert, reinigt und saugt er alle Flächen und bewegt sich beliebig im Pool umher. Das Oberflächenmodul schwimmt auf der Wasseroberfläche und zirkuliert sauberes und gefiltertes Wasser. Der Spülschlauch und der Filterbeutel bewegen sich am Boden des Pools entlang und sammeln Schmutz und Abfall.

Der Polaris wechselt in etwa alle 15-25 Sekunden die Richtung.

Überdruckventil

Das Überdruckventil im Quick Trenner gibt automatisch Wasser ab, wenn der Polaris unter zu hohem Wasserdruck steht. Es kann auch zur Einstellung und Regulierung der Bewegung des Reinigers benutzt werden.

Wenn der Polaris zu schnell die Richtung ändert, dann stellen Sie das Überdruckventil anders ein, damit der Reiniger langsamer läuft.

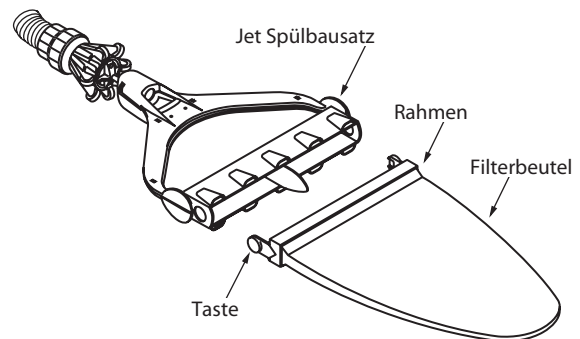


Routine Wartung

Filterbeutel reinigen

Drücken Sie die Tasten am Jet Spülbausatz um den Beutel zu trennen. Stülpen Sie den Filterbeutel um und entfernen Sie jeglichen Abfall.

Den Rahmenganz öffnen und den Beutel wieder befestigen.



Filter reinigen

Der Filter, der sich innen im Quick Trenner befindetet, fängt den Abfall auf, der vom Poolfiltersystem verpasst wurde. Zur Reinigung zieht man ihn heraus und spült ihn ab und drückt ihn dann wieder in die ursprüngliche Position zurück.

Rückspülung des Poolfilters

Bevor Sie den Poolfilter reinigen oder rückspülen, soll der Polaris immer von der Poolwand entfernt werden. Nach dem reinigen und rückspülen soll das Filtersystem mindestens fünf Minuten lang laufen um die Rücklaufleitungen durchzuspülen bevor der Polaris neu angeschlossen wird.

Lagerung und Einwinterung

Der Polaris soll nie im direkten Sonnenlicht gelagert werden. Für die Einwinterung sollen alle Wasserrückstände aus den Schläuchen abgelassen werden (Schäden durch Frost werden von der Garantie nicht gedeckt). Entfernen Sie den Jet Spülbausatz vom Spülschlauch und lagern Sie ihn flach. Hängen oder lagern Sie die Schläuche gerade. Entfernen Sie alle Anschlussstücke von den Rücklaufleitungen, einschließlich der UWH (universale Wandhalterung). In manchen Fällen kann es vorkommen, dass man das UWH Removal Tool (UWH Entferner) (Teile Nr. 10-102-00) benutzen muss, welchen Sie über Ihren Polaris Händler beziehen können.

Fehlerbehebung

Sollte der Polaris Reiniger des öfteren folgende Probleme zeigen, kann es sein, dass eine Neueinstellung notwendig sind, um die ursprüngliche Leistung wiederherzustellen. Für Zubehörteile siehe Explosionsdarstellung.

Vorgang: Der Polaris reinigt nicht den gesamten Pool oder er läuft langsam.

- Lösung:**
1. Stellen Sie sicher, dass das Überdruckventil Wasser durchlässt. Wenn das nicht der Fall ist, dann reinigen oder rückspülen Sie bitte den Poolfilter.
 2. Überprüfen Sie den Filter im Quick Trenner und wenn notwendig, muss dieser gereinigt werden.
 3. Stellen Sie sicher, dass der Zuleitungsschlauch die entsprechende Länge hat.
 4. Entfernen Sie das Oberflächenmodul Top. Stellen Sie sicher, dass sich das Zufallsvorrichtungrohr vorwärts und rückwärts bewegt, während der Polaris läuft.

Wenn er sich nicht bewegt:
Pumpe abschalten, Schläuche abmontieren, den Mechanismus prüfen und die Filterverbindung innen in dem Zufallsvorrichtungrohr lokalisieren. Wenn dies mit Abfall oder Algen belegt ist dann entfernen Sie die Verbindungskammer, den Zylinder und die Kolben. Ziehen Sie das Zufallsvorrichtungrohr heraus und reinigen Sie den Filteranschluss. Wenn der Anschluss sauber ist, dann ersetzen Sie die Kolben.

Wenn es sich bewegt: Beobachten Sie den Zufallsvorrichtungsbalken Mechanismus. Wenn sich nicht innerhalb von 2 Minuten bewegt, dann wechseln Sie das Zufallsvorrichtungrohr und die Kolben.

5. Stellen Sie sicher, dass der Wasserdruck zwischen 5 und 10 Psi (35 und 70 kPa) liegt. Ein Druckmesser (Teile Nr. 6-113-00) ist über Ihren örtlichen Polaris Händler erhältlich.

Vorgang: Das Oberflächenmodul taucht unter oder lehnt zu einer Seite.

- Lösung:**
1. Richten Sie eventuell verdrehte Schläuche aus.
 2. Nehmen Sie das Oberflächenmodul aus dem Wasser, entleeren Sie es und schütteln Sie es. Wenn man hört, dass noch Wasser drinnen ist, dann entfernen Sie das Top, ziehen Sie den Abflussbausatz heraus und entleeren Sie das Modul
 3. Stellen Sie das Überdruckventil so lange neu ein, bis sich das Oberflächenmodul einpendelt.
 4. Stellen Sie sicher, dass sich der Wasserdruck zwischen 5 und 10 Psi (35 und 70 kPa) befindet.

Vorgang: Der Zuleitungsschlauch bleibt aufgerollt.

- Lösung:**
1. Siehe „Polaris reinigt nicht den gesamten Pool“
 2. Richten Sie den Zuleitungsschlauch so aus, dass er gerade in der Sonne liegt und dass alle Windungen entfernt sind.

Vorgang: Oberflächenmodul bewegt sich zu schnell.

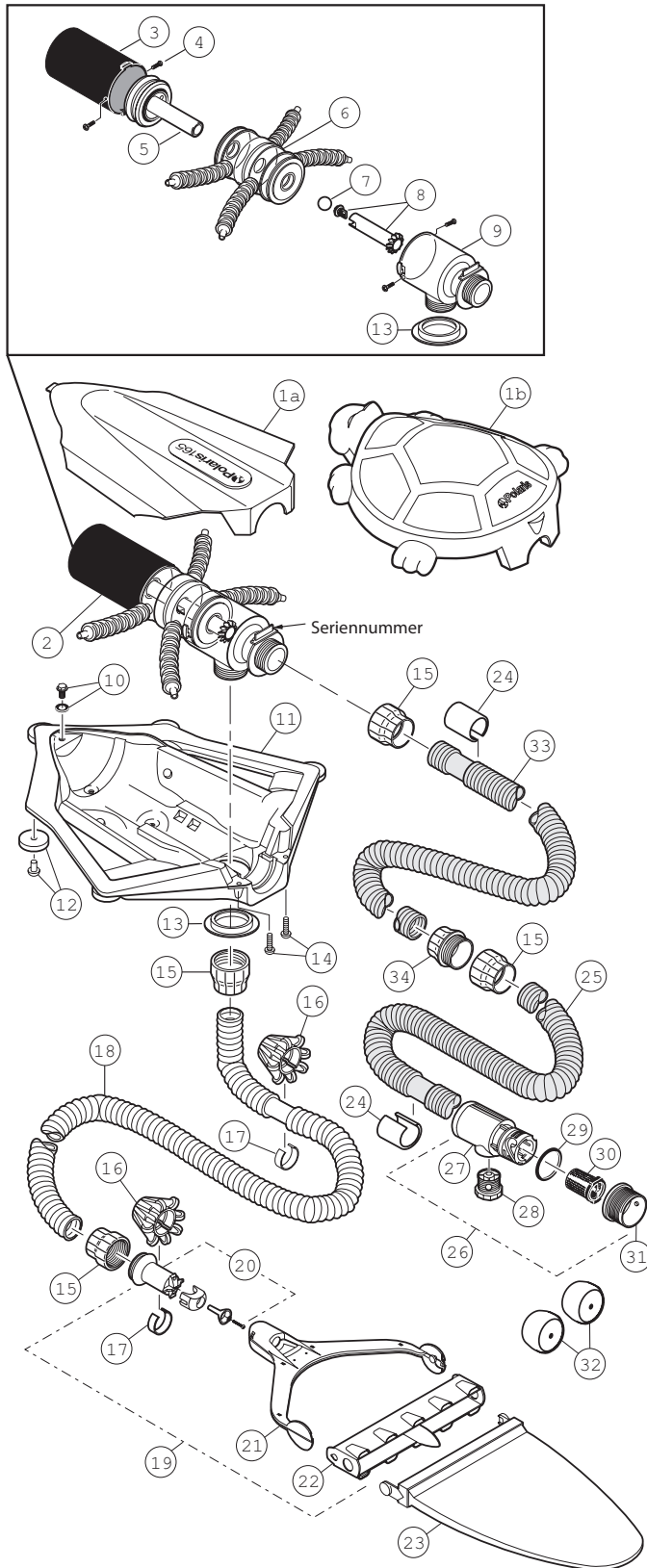
- Lösung:**
1. Justieren Sie das Überdruckventil, bis sich das Oberflächenmodul langsamer bewegt.
 2. Nur für die 165/Super Turtle: Entfernen Sie einander Kugelregler und wenn nötig, stellen Sie das Überdruckventil neu ein.
 3. Stellen Sie sicher, dass der Wasserdruck zwischen 5 und 10 Psi (35 und 70 kPa) liegt.

Vorgang: Beutel bleibt nicht am Boden des Pools.

- Lösung:**
1. Stellen Sie sicher, dass der Beutel richtig installiert wurde.
 2. Prüfen Sie, ob sich um den Jet Bodybausatz Luftblasen bilden. Das kann auf Luft in den Rohrleitungen hindeuten.
 3. Siehe „Oberflächenmodul bewegt sich zu schnell.“

Polaris165/SuperTurtle

Explosionsdarstellung



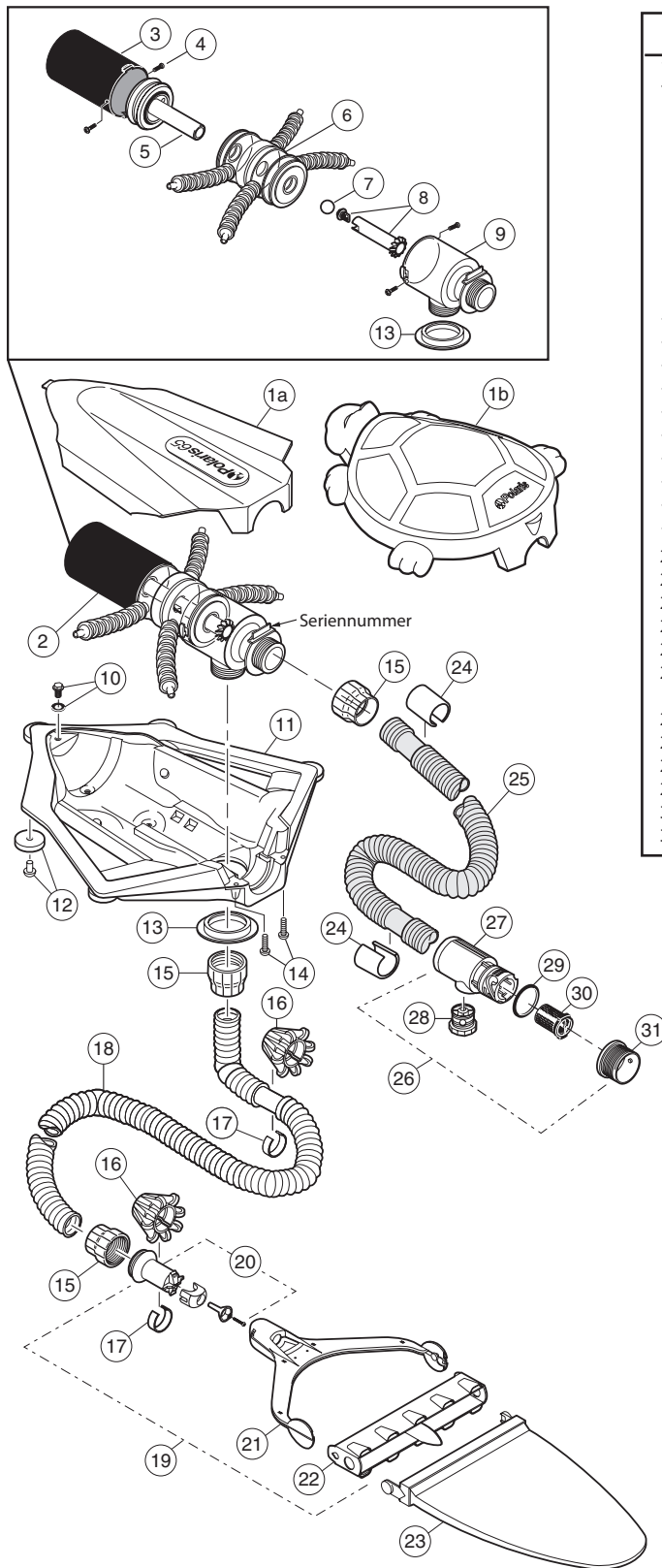
Nr.	Teile-Nr.	Bezeichnung	Anzahl
1a	6-306-00	Oberflächenmodul Top, Granit	1
1b	6-309-00	Turtle Top	1
2	6-400-00	Mechanismus	1
3	6-407-00	Zylinder	1
4	6-413-00	Schraube, Mechanismus Nr. 6x5/16 Zoll	4
5	6-411-00	Kolbenbausatz	1
6	6-409-00	Center Kammerbausatz	1
7	6-403-00	Zufallsvorrichtungsball	1
8	6-406-00	Filterverbindung/Zufalls- vorrichtungrohrkit	1
9	6-408-00	Verbindungskammer	1
10	6-507-00	Abflussbausatz	1
11	6-305-00	Body Bodenbausatz	1
12	6-301-00	Body Bodenradkit	5
13	**	Stützverschluss	1
14	6-302-00	Schraube, Top, Nr. 10x3/4 Zoll	2
15	6-104-00	Buchenschlauchverbindung,	4
16	6-107-00	Radkastenbausatz	9
17	6-110-00	Schlauchgewicht	9
18	6-114-00	Spülschlauch komplett, 3 m	1
19	6-212-00	Jet Spülbausatz	1
20	6-116-00	Jet Body Bausatz	1
21	6-211-00	Jet Spülkabelbaum	1
22	6-210-00	Jet Spülkopf	1
23	6-206-00	Allzweckbeutel*	1
24	6-222-00	Schwimmkörper	24
25	6-225-00	Zuleitungsschlauch, 7,30 m (Schlauch alleine)	1
26	6-508-00	UWH Verbindungsbausatz	1
27	6-502-00	Quick Trenner, UWH	1
28	6-503-00	Überdruckventil	1
29	6-505-00	O-Ring UWH/AD	1
30	6-504-00	Filter, UWH/AD	1
31	6-500-00	Universale Wandhalterung (UWH)	1
32	10-107-00	Kugelregler	2
33	6-221-00	Schwimmschlauchver- längerungskit, 2,45 m	1
34	6-103-00	Schlauchausengewinde	1

* Verschleißteile sind nicht von der Garantie gedeckt.

Deutsch

Polaris 65/TurboTurtle

Explosionsdarstellung



Nr.	Teile-Nr.	Bezeichnung	Anzahl
1a	6-306-00	Oberflächenmodul Top, Blau	1
1b	6-309-00	Turtle Top	1
2	6-400-00	Mechanismus	1
3	6-407-00	Zylinder	1
4	6-413-00	Schraube, Mechanismus Nr. 6x5/16 Zoll	4
5	6-411-00	Kolbenbausatz	1
6	6-409-00	Center Kammerbausatz	1
7	6-403-00	Zufallsvorrichtungsball	1
8	6-406-00	Filterverbindung/Zufalls- vorrichtungsrohrkit	1
9	6-408-00	Verbindungskammer	1
10	6-507-00	Abflussbausatz	1
11	6-305-00	Body Bodenbausatz	1
12	6-301-00	Body Bodenradkit	5
13	**	Stützverschluss	1
14	6-302-00	Schraube, Top, Nr. 10x3/4 Zoll	2
15	6-104-00	Buchenschlauchverbindung,	4
16	6-107-00	Radkastenbausatz	9
17	6-110-00	Schlauchgewicht	9
18	6-114-00	Spülschlauch komplett, 3 m	1
19	6-212-00	Jet Spülbausatz	1
20	6-116-00	Jet Body Bausatz	1
21	6-211-00	Jet Spülkabelbaum	1
22	6-210-00	Jet Spülkopf	1
23	6-206-00	Allzweckbeutel*	1
24	6-222-00	Schwimmkörper	24
25	6-225-00	Zuleitungsschlauch, 7,30 m (Schlauch alleine)	1
26	6-508-00	UWH Verbindungsbausatz	1
27	6-502-00	Quick Trenner, UWH	1
28	6-503-00	Überdruckventil	1
29	6-505-00	O-Ring UWH/AD	1
30	6-504-00	Filter, UWH/AD	1
31	6-500-00	Universale Wandhalterung (UWH)	1

* Verschleißteile sind nicht von der Garantie gedeckt.

Información importante

- Antes de instalar el Polaris, asegúrese de que el filtro de la piscina esté limpio.
- Si la tubería del agua es nueva, debiera purgarse antes de instalar el Polaris.
- No toque el Polaris cuando está en uso.
- Quite siempre el Polaris antes de que los nadadores entren en la piscina.
- Desconecte siempre el Polaris de la pared de la piscina cuando limpie o lave el filtro en contracorriente.
- Después de limpiar o lavar el filtro en contracorriente, deje que el sistema de filtración funcione durante al menos cinco minutos antes de volver a conectar el Polaris.
- Retire siempre el Polaris de la piscina antes de efectuar tratamiento químico intensivo del agua.

Atención a clientes o apoyo técnico:

- Envíe inmediatamente por correo la tarjeta de garantía.
- Para apoyo técnico en línea: www.polarispool.com
- Para comunicarse con Polaris: US and Canada
Customer Service
2620 Commerce Way
Vista, CA 92081-8438
1-800-822-7933

Polaris Garantía

Ud. ha elegido la marca Polaris Vac-Sweep® 65 / Polaris Turbo Turtle®, Polaris Vac-Sweep® 165 / Polaris Super Turtle® y le agradecemos su confianza. Este producto se ha diseñado, fabricado y controlado con el mayor esmero para proporcionarle plena satisfacción

La garantía es válida para 2 años a partir de la fecha de facturación al primer usuario.

ADVERTENCIA: USO DEL POLARIS EN UNA PISCINA REVISTIDA DE VINILO

Los dibujos en algunos revestimientos de vinilo son especialmente susceptibles a desgastes superficiales o borrado del dibujo, como resultado de que entren en contacto con la superficie vinílica determinados objetos, tales como cepillos, juguetes de piscina, flotadores, fuentes, surtidores de cloro y limpiafondos automáticos. Los dibujos de algunos revestimientos de vinilo pueden rayarse o rasgarse de manera considerable simplemente al rozar la superficie con un cepillo de piscina. También puede borrarse la tinte del dibujo durante la instalación o al entrar en contacto con objetos en la piscina. Zodiac Pool Systems, Inc., no asume responsabilidad alguna por el borrado del dibujo o el rayado o rasgado del revestimiento de vinilo, ni la garantía limitada cubre estas contingencias.

Introducción

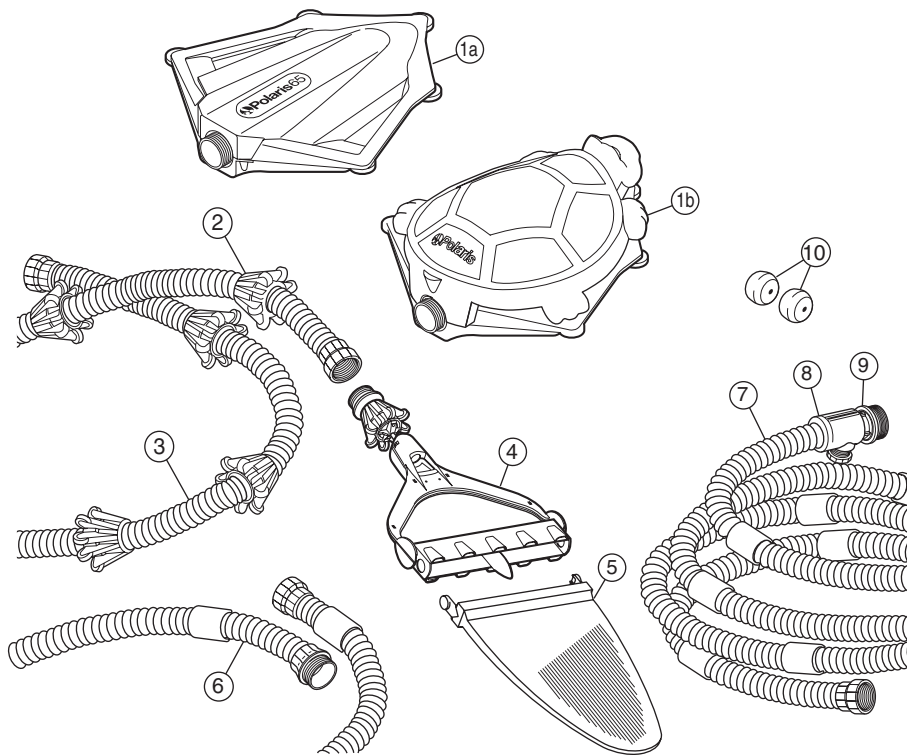
Recibanuestrafelicitacionesporlacompradesunuevolimpiafondosautomáticoygraciasporpreferir Polaris. El Polaris 65y el Turbo Turtle, para piscinas elevadas, y el Polaris 165 y el Super Turtle, para piscinas enterradas de vinilo o fibra de vidrio, han sido diseñados para brindarle años de servicio confiable y eficiente.

Aligualquemuchosdispositivosmecánicos,elPolarisrequiere deajustesymantenimientoperiódico, asícomolareposición eventual dealgunaspiezasdeusomuyintensivo. Asegúrese de que el Polaris sea revisado ocasionalmente por su distribuidor local de Polaris o por un centro de servicio autorizado.

Siempre insista en genuinas piezas de repuesto Polaris. Las piezas de otras marcas no están fabricadas a nuestras especificaciones. Podrían afectar adversamente el funcionamiento de su Polaris y hasta dañarlo.

Limpiar fondos completo Polaris

- 1a. Módulo de superficie
- 1b. Tapa tipo carapacho de tortuga
- 2. Caja para ruedas
- 3. Manguera barredora
- 4. Conjunto de barredora a chorro
- 5. Bolsa multiusos
- 6. Extensión manguera de flotación c/conector – Sólo 165 y Super Turtle
- 7. Manguera de flotación
- 8. Desconector rápido
- 9. Conector universal de pared (CUP)
- 10. Reguladores tipo globo (2) – Sólo 165 y Super Turtle



Instrucciones para la instalación rápida

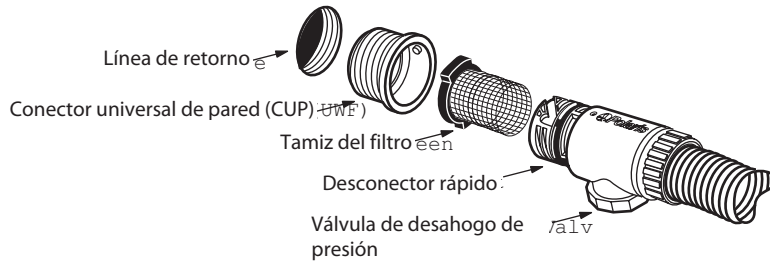
Tres pasos rápidos para instalar y lograr el máximo desempeño del Polaris:

- Instale el conector universal de pared (CUP) con el desconector rápido y los reguladores tipo globo
- Ajuste la manguera barredora de acuerdo con la profundidad de la piscina
- Ajuste la manguera de flotación de acuerdo con la extensión de la piscina

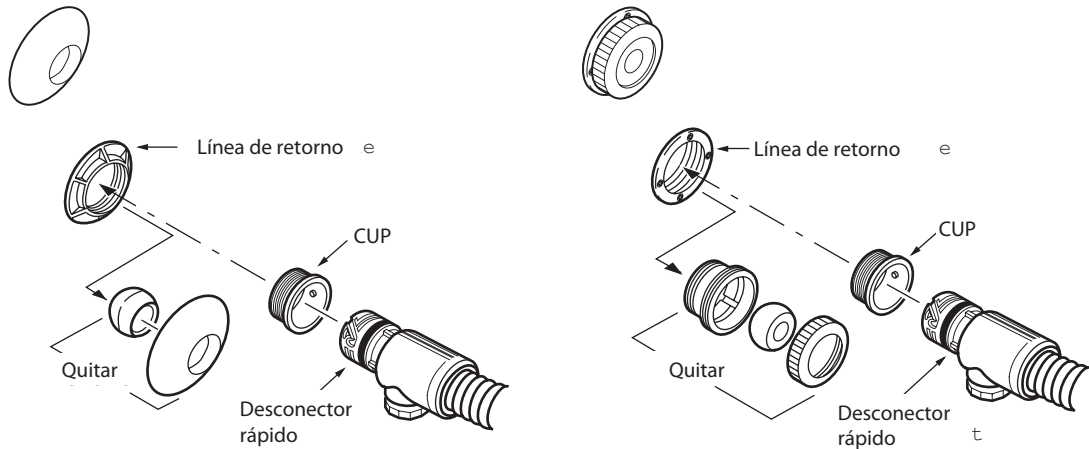
1 Instale el conector universal de pared

Se instala en minutos en piscinas que cuentan con línea de retorno de 1-1/2 pulgadas (3,8 cm) con rosca hembra.

1. Encienda la bomba de filtración y purgue la tubería. Apague la bomba.
2. Sólo Polaris 165 y Super Turtle — Para el Polaris, use la línea de retorno más próxima al centro de la pared más larga. Si hay dos líneas de retorno, escoja la más cercana a la maquinaria de la piscina. Coloque los discos de los reguladores tipo globo en las demás líneas de retorno.
3. Desenrosque el CUP del desconector rápido y enrósquelo en la abertura de retorno.
4. Gire el desconector rápido en el sentido horario para que entre en el CUP y tire hacia afuera para asegurarlo.



Si la línea de retorno no tiene alguno de los acoplamientos que aparecen en el siguiente diagrama, quite las piezas como se muestra e instale el conector universal de pared (CUP).

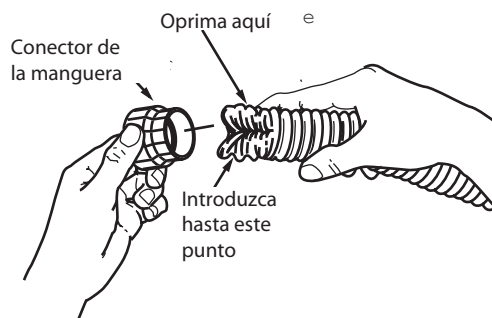


Para adaptar un tubo de retorno de 1-1/4 pulgada (3,2 cm) o de 2 pulgadas (5 cm), utilice el CUP juego adaptador Polaris que se incluye con su limpiador. Si la línea de retorno difiere de todas estas, solicite la asesoría de Polaris.

2

Ajuste la manguera barredora de acuerdo con la profundidad de la piscina

1. Mida la parte más profunda de la piscina. Agregue 60 cm a esta medida para determinar la extensión correcta de la manguera barredora.
2. Si la manguera barredora es más larga que la extensión medida, recorte la manguera excedente.
3. Quite el conector de la manguera excedente.
4. Oprima la manguera barredora con los dedos. Introdúzcala en el conector hasta que la primera ranura se encuentre adentro.
5. Deslice los dedos dentro de la manguera, a través del conector y devuelva la manguera a su forma original.



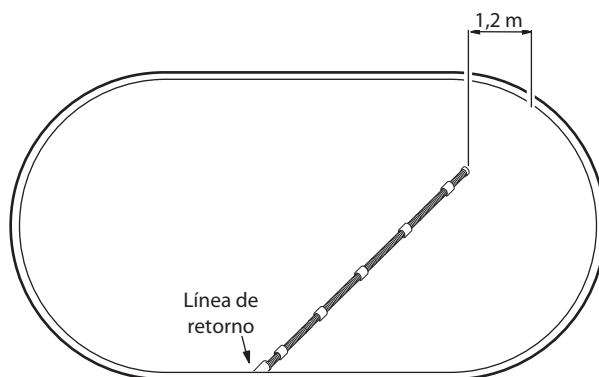
3

Ajuste la manguera de flotación de acuerdo con la extensión de la piscina

Con la manguera conectada a la línea de retorno en la pared de la piscina, extienda la manguera hasta el punto más alejado de la piscina. La punta de la manguera debe extenderse hasta 1,20 m antes de este punto.

¿Resulta demasiado larga la manguera? Recorte el excedente de la manguera de flotación. Quite el conector de la manguera excedente y colóquelo en la punta de la manguera restante, tal como se indica arriba.

¿Queda corta la manguera? Sólo para el Polaris 165 y el Super Turtle: Agregue la extensión de la manguera de flotación entre el tramo de manguera existente y el módulo de superficie. Si es necesario, vuelva a medir y haga los ajustes necesarios.



1. Abra completamente el armazón de la bolsa del filtro y sujételo al conjunto de la barredora a chorro. Sujete el conjunto a la manguera barredora.
2. Sujete la manguera de flotación y la manguera barredora al módulo de superficie.
3. Coloque el Polaris en la piscina y encienda la bomba de filtración de la piscina.
4. Extienda la manguera de flotación hasta el punto más alejado de la piscina. Al estar en funcionamiento la bomba de la piscina, el módulo de superficie debe encontrarse a aproximadamente 30 cm de la pared de la piscina.

Ajustes menores del limpiafondos Polaris

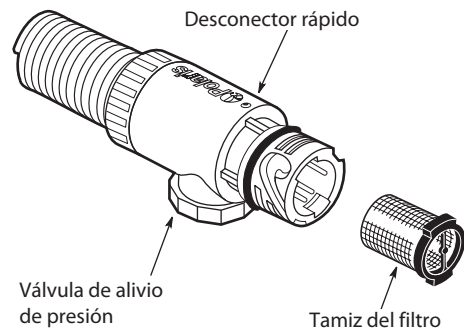
Funcionando correctamente, el Polaris aspira y barre todas las superficies, desplazándose al azar por toda la piscina. El módulo de superficie flota sobre la superficie del agua, recirculando agua limpia y filtrada. La manguera barreadora y la bolsa del filtro se desplazan por el fondo de la piscina, recogiendo tierra y suciedad.

El Polaris cambia de dirección aproximadamente cada 15 a 25 segundos.

Válvula de alivio de presión

La válvula de alivio de presión en el desconector rápido automáticamente libera agua si la presión del agua que llega al Polaris es excesiva. También puede usarse para regular los movimientos del limpiafondos.

Si el Polaris cambia de dirección muy rápidamente, ajuste la válvula de alivio de presión para moderar la velocidad del limpiafondos.

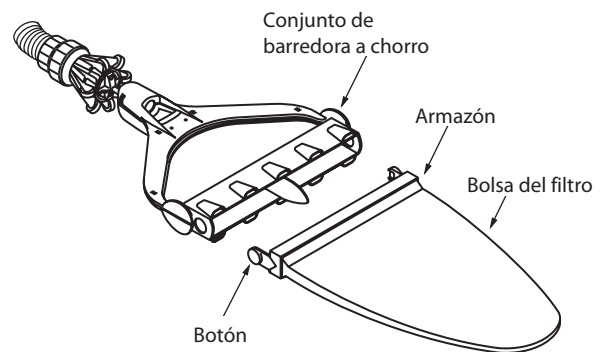


Mantenimiento periódico

Limpieza de la bolsa del filtro

Para soltar la bolsa, oprima los botones en el conjunto de la barreadora a chorro. Invierta la bolsa del filtro hacia afuera para retirar la basura.

Abra completamente el armazón y vuelva a sujetar la bolsa.



Limpieza del tamiz del filtro

El tamiz del filtro dentro del desconector rápido atrapa la suciedad no recogida por el sistema de filtración de la piscina. Para limpiarlo, sáquelo, enjuáguelo y, presionando con los dedos, vuelva a colocarlo en su lugar.

Lavado del filtro de la piscina

Siempre desconecte el Polaris de la pared de la piscina antes de limpiar o lavar en contra corriente el filtro. Después de limpiarlo o lavarlo, deje que funcione el sistema de filtración al menos durante cinco minutos para purgar plenamente las líneas de retorno, antes de volver a conectar el Polaris.

Almacenaje y preparación para el invierno

Nunca guarde el Polaris exponiéndolo a los rayos directos del Sol. Antes de almacenar el Polaris para el invierno, drene todo el agua del Polaris (Lagarantía no cubre daños por congelación). Separe el conjunto de la barreadora a chorro de la manguera barreadora y guárdelo en forma tendida. Cuelgue o tienda las mangueras en forma recta. Quite todos los acoplamientos de las líneas de retorno, incluyendo el CUP. En algunos casos, podría ser necesario utilizar la herramienta para quitar el CUP (pieza 10-102-00), que puede obtenerse de su distribuidor Polaris participante.

Resolución de problemas

Si el limpiafondos Polaris muestra cualquiera de las siguientes acciones, podrían resultar necesarios algunos ajustes para lograr el máximo rendimiento. Consulte el diagrama detallado de las piezas para obtener las referencias de éstas.

Acción: El Polaris no limpia toda la piscina o se desplaza muy lentamente.

- Solución:**
1. Verifique que la válvula de alivio de presión esté liberando agua. Si no, limpie y enjuague el filtro de la piscina.
 2. Revise el tamiz del filtro en el desconector rápido y, de ser necesario, límpielo.
 3. Verifique que la manguera de flotación se extienda la distancia correcta.
 4. Quite la tapa del módulo de superficie. Con el Polaris funcionando, verifique que el tubo aleatorio se mueva de un lado a otro.

Si no se mueve, apague la bomba, desconecte las mangueras, examine el mecanismo y localice el conector del filtro dentro del tubo aleatorio. Si se encuentra cubierto de suciedad o algas, quite la cámara del conector, el cilindro y el émbolo. Saque el tubo aleatorio y limpie el conector del filtro. Si el conector está limpio, reponga el émbolo.

Si se mueve, examine la bola aleatoria dentro del mecanismo. Si no se mueve en dos minutos, cambie el tubo aleatorio y el émbolo.

5. Verifique que la presión del agua se encuentre entre 0.35 y 0.70 kg/cm². Puede obtener a través de su distribuidor Polaris participante un probador de presión (Pza. N° 6-113-00).

Acción: El módulo de superficie se clava en el agua o se ladea.

- Solución:**
1. Enderece las mangueras torcidas.
 2. Saque del agua el módulo de superficie, vacíelo y sacúdalo. Si aún se oye agua en el interior, quite la tapa, saque el conjunto del tapón de desagüe y drene el módulo.
 3. Ajuste la válvula de alivio de presión hasta que se nivele el módulo de superficie.
 4. Verifique que la presión del agua se encuentre entre 0.35 y 0.70 kg/cm². Puede obtener de su distribuidor Polaris participante un probador de presión (Pza. N° 6-113-00).

Acción: La manguera de flotación se mantiene enroscada.

- Solución:**
1. Consulte "El Polaris no limpia toda la piscina".
 2. Extienda la manguera de flotación en la luz solar para quitarle lo enroscado.

Acción: El módulo de superficie se desplaza muy rápidamente.

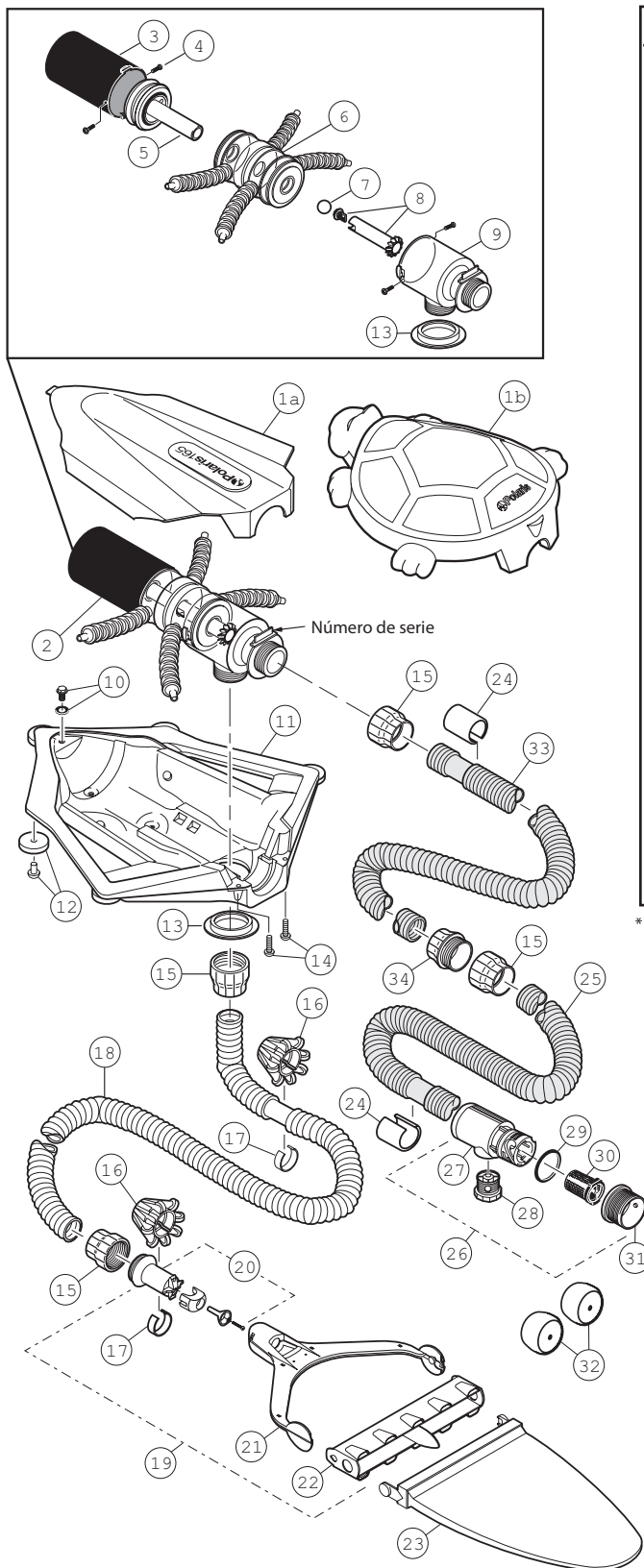
- Solución:**
1. Ajuste la válvula de alivio de presión hasta que se desacelere el módulo de superficie.
 2. Sólo 165 y Super Turtle: Quite uno de los reguladores tipo globo y, de ser necesario, vuelva a ajustar la válvula de alivio de presión.
 3. Verifique que la presión de agua se encuentre entre 0.35 y 0.70 kg/cm².

Acción: La bolsa no se mantiene en el fondo de la piscina.

- Solución:**
1. Verifique que la bolsa ha sido instalada correctamente.
 2. Veasi aparecen burbujas de aire alrededor del conjunto de la barredora a chorro. Esto podría indicar que exista aire en la tubería.
 3. Consulte "El módulo de superficie se desplaza muy rápidamente".

Polaris165/SuperTurtle

Diagrama expandido de piezas

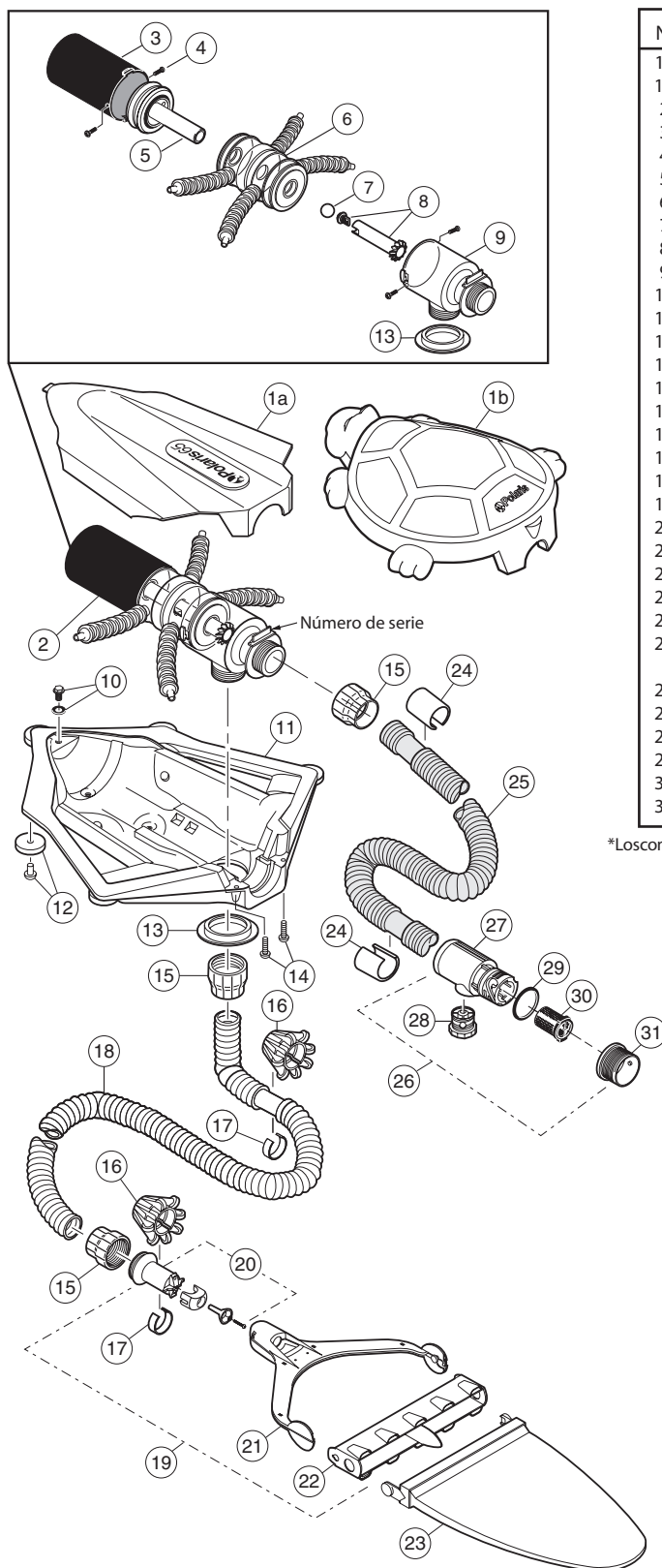


Nº	Nº pieza	Descripción	Cant.
1a	6-306-00	Tapa, módulo de superficie, granito	1
1b	6-309-00	Tapa carapacho de tortuga	1
2	6-400-00	Mecanismo	1
3	6-407-00	Cilindro	1
4	6-413-00	Tornillo, mecanismo, No 6 x 5/16"	4
5	6-411-00	Conjunto del émbolo	1
6	6-409-00	Conjunto cámara central	1
7	6-403-00	Bola aleatoria	1
8	6-406-00	Estuche conector del filtro y tubo aleatorio	1
9	6-408-00	Cámara del conector	1
10	6-507-00	Conjunto tapón desagüe	1
11	6-305-00	Conjunto inferior de carcasa	1
12	6-301-00	Estuche inferior de ruedas	5
13	**	Collarín de apoyo	1
14	6-302-00	Tornillo, tapa, No 10 x 3/4"	2
15	6-104-00	Conector hembra de manguera	4
16	6-107-00	Conjunto caja ruedas	9
17	6-110-00	Pesa de la manguera	9
18	6-114-00	Manguera barredora completa, 3 m	1
19	6-212-00	Conjunto de barredora	1
20	6-116-00	Conjunto cuerpo propulsión	1
21	6-211-00	Arnés de la barredora	1
22	6-210-00	Cabezal de la barredora	1
23	6-206-00	Bolsa multiusos*	1
24	6-222-00	Flotador	24
25	6-225-00	Manguera de flotación, 7,30 m (sólo manguera)	1
26	6-508-00	Conjunto conector CUP	1
27	6-502-00	Desconector rápido, CUP	1
28	6-503-00	Válvula de alivio de presión	1
29	6-505-00	Espaciador, CUP y desc. ráp.	1
30	6-504-00	Tamiz del filtro CUP y desc. ráp.	1
31	6-500-00	Conector universal de pared (CUP)	1
32	10-107-00	Regulador tipo globo	2
33	6-221-00	Juego extensión, manguera flotación, 2,45 m	1
34	6-103-00	Conector macho de manguera	1

* Los componentes sujetos a desgaste no quedan comprendidos por la garantía.

Polaris 65/TurboTurtle

Diagrama expandido de piezas



Nº	Nº pieza	Descripción	Cant.
1a	6-306-00	Tapa, módulo de superficie, azul	1
1b	6-309-00	Tapa carapacho de tortuga	1
2	6-400-00	Mecanismo	1
3	6-407-00	Cilindro	1
4	6-413-00	Tornillo, mecanismo, No 6 x 5/16"	4
5	6-411-00	Conjunto del émbolo	1
6	6-409-00	Conjunto cámara central	1
7	6-403-00	Bola aleatoria	1
8	6-406-00	Estuche conector del filtro y tubo aleatorio	1
9	6-408-00	Cámara del conector	1
10	6-507-00	Conjunto tapón desagüe	1
11	6-305-00	Conjunto inferior de carcasa	1
12	6-301-00	Estuche inferior de ruedas	5
13	**	Collarín de apoyo	1
14	6-302-00	Tornillo, tapa, No 10 x 3/4"	2
15	6-104-00	Conector hembra de manguera	4
16	6-107-00	Conjunto caja ruedas	9
17	6-110-00	Pesa de la manguera	9
18	6-114-00	Manguera barredora completa, 3 m	1
19	6-212-00	Conjunto de barredora	1
20	6-116-00	Conjunto cuerpo propulsión	1
21	6-211-00	Arnés de la barredora	1
22	6-210-00	Cabezal de la barredora	1
23	6-206-00	Bolsa multiusos*	1
24	6-222-00	Flotador	24
25	6-225-00	Manguera de flotación, 7,30 m (sólo manguera)	1
26	6-508-00	Conjunto conector CUP	1
27	6-502-00	Desconector rápido, CUP	1
28	6-503-00	Válvula de alivio de presión	1
29	6-505-00	Espaciador, CUP y desc. ráp.	1
30	6-504-00	Tamiz del filtro CUP y desc. ráp.	1
31	6-500-00	Conector universal de pared (CUP)	1

*Los componentes sujetos a desgaste quedan comprendidos por la garantía.

Español

Informazioni importanti

- Prima di installare il Polaris, accertarsi che il filtro della piscina sia pulito.
- Le tubature nuove devono essere lavate a fondo prima di installare il Polaris.
- Non maneggiare mai il Polaris quando sta funzionando.
- Togliere sempre il Polaris dalla piscina prima che vi entrino i bagnanti.
- Scollegare sempre il Polaris dalla parete della piscina quando si pulisce o si lava il suo filtro.
- Dopo avere pulito o lavato il filtro, lasciare che l'impianto di filtrazione funzioni per almeno cinque minuti prima di ricollegare il Polaris.
- Togliere sempre il Polaris dalla piscina prima di trattare l'acqua con agenti chimici.

Per assistenza clienti o supporto

- Si prega di inviare immediatamente la cartolina della garanzia
- Per supporto on-line www.polarispool.com
- Per contattare la Polaris: US and Canada
Customer Service
2620 Commerce Way
Vista, CA 92081-8438
1-800-822-7933

Polaris Garanzia

Lei ha scelto la marca Polaris Vac-Sweep® 65/Polaris Turbo Turtle®, Polaris Vac-Sweep® 165/Polaris Super Turtle® e noi per ciò la ringraziamo per la sua fiducia. Questo prodotto è stato ideato, prodotto e controllato con la massima cura per garantirne la completa soddisfazione.

La durata della garanzia è fissata ad 2 annos a partire dalla data di fatturazione al primo utente..

AVVERTENZA: USO DEL POLARIS IN UNA PISCINA CON RIVESTIMENTO IN VINILE

Certi rivestimenti in vinile hanno dei disegni che sono particolarmente suscettibili a usura superficiale rapida o a cancellazione del disegno causati dal contatto con vari oggetti, compresi spazzole, giocattoli acquatici, galleggianti, fontane, distributori per la clorazione e dispositivi automatici per la pulizia di piscine. I disegni di alcuni rivestimenti in vinile possono venire seriamente danneggiati con graffiature semplicemente strofinando la superficie con una spazzola per piscine. L'inchiostro del disegno può anche cancellarsi durante l'installazione o quando viene a contatto di oggetti posti nella piscina. La Zodiac Pool Systems, Inc., non assume responsabilità per la cancellazione, abrasione o segnature di un rivestimento in vinile e tali danni non sono coperti dalla garanzia limitata.

Introduzione

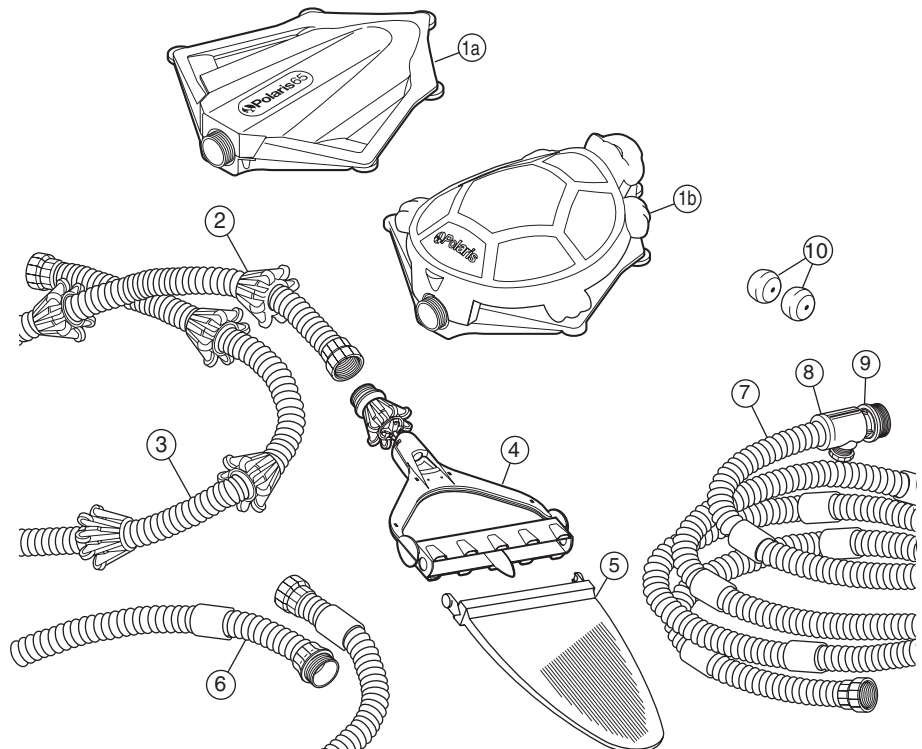
Congratulazioni per l'acquisto di un nuovo dispositivo di pulizia automatica per piscine e grazie di avere scelto un Polaris. Il Polaris 65/Turbo Turtle per piscine non interrate, e il Polaris 65/Super Turtle per piscine interrate in vinile o in fibra di vetro, sono state progettate per fornire anni di prestazioni affidabili ed efficienti.

Cometuttiidispositivimeccanici, il Polaris richiede regolazioni periodiche, una manutenzione regolare e la sostituzione di certe parti sottoposte al lavoro pesante. Accertarsi che il Polaris venga controllato di tanto in tanto da parte del rivenditore Polaris locale o di un centro di servizio autorizzato.

Richiedere sempre che vengano usate parti di ricambio originali Polaris. Pezzi di ricambio di altre marche non sono prodotti secondo le specifiche della fabbrica. Tali pezzi possono influire in modo negativo sulle prestazioni del Polaris e possono anche danneggiarlo.

Il dispositivo di pulizia completo Polaris

- | | |
|--|--|
| 1a. Modulo di superficie | 7. Tubo galleggiante |
| 1b. Copertura a tartaruga | 8. Dispositivo di sconnessione rapida |
| 2. Gabbia delle ruote | 9. Raccordo a parete universale (UWF) |
| 3. Tubo di pulizia | 10. Regolatori a bulbo (2) – solo per 165 e Super Turtle |
| 4. Gruppo pulizia | |
| 5. Sacco d'impiego generale | |
| 6. Prolunga tubo galleggiante con connettore – solo per 165 e Super Turtle | |



Istruzioni per una rapida installazione

Il Polaris può essere installato in tre fasi veloci che consentono di realizzare il massimo delle sue prestazioni.

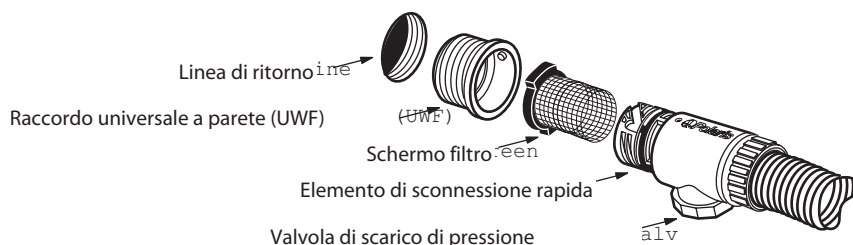
- Installare il raccordo a parete universale (UWF) con il dispositivo di sconnessione rapida e con i regolatori a bulbo
- Regolare la lunghezza del tubo di pulizia in modo da adattarlo alla profondità della piscina
- Regolare la lunghezza del tubo galleggiante in modo da adattarlo alla lunghezza della piscina

1

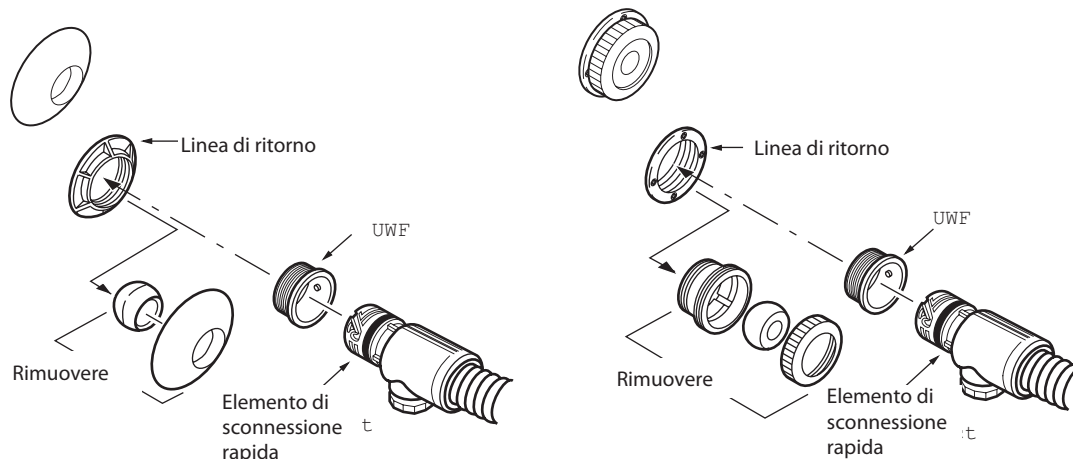
Installazione del raccordo a parete universale

Si installa in pochi minuti nelle piscine dotate di linea di ritorno con filettatura femmina da 1 pollice e 1/2 (3,8 cm).

1. Accendere la pompa di filtraggio della piscine e lavare a fondo la tubatura. Spegnerla pompa.
2. Solo per Polaris 165/Super Turtle – Per il Polaris, usare la linea di ritorno più vicina al centro della parete più lunga della piscina. Se ce ne sono due, usare la linea di ritorno più vicino all'apparecchiatura della piscina. Mettere i dischi del regolatore a bulbo nella line di ritorno rimanente.
3. Togliere l'UWF dal dispositivo di sconnessione rapida e avvitarlo sulla bocca del ritorno.
4. Inserire il dispositivo di sconnessione rapida nell'UWF girando in senso orario e tirare verso di sé per fissare.



Se la linea di ritorno è dotata di un nodo di raccordo illustrato sotto, rimuovere le parti come indicato e quindi installare l'UWF.

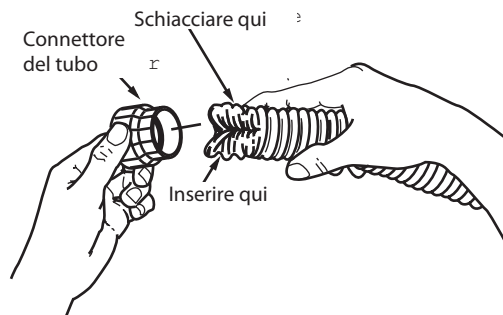


Usare il UWF Kit adattatore Polaris in dotazione al dispositivo di pulizia per adattarsi a una linea di ritorno da 1 pollice e 1/4 (3,2 cm) o 2 pollici (5 cm). Se la linea di ritorno è diversa da tutte quelle rappresentate, mettersi in contatto con Polaris per ottenere assistenza.

2

Regolazione del tubo di pulizia per adattarlo alla profondità della piscina

1. Misurare la profondità del punto più profondo della piscina. Aggiungere 60 cm (due piedi) al valore misurato per ottenere la lunghezza corretta del tubo di pulizia.
2. Se il tubo di pulizia è più lungo del valore determinato, tagliare il sovrappiù.
3. Togliere il connettore del tubo dal pezzo in eccedenza che si è tagliato via.
4. Schiacciare a mano il tubo di pulizia. Spingere il tubo nel connettore finché la prima piega non sia all'interno.
5. Infilare le dita nel tubo attraverso il connettore e spingere sul tubo per ridargli la forma originale.



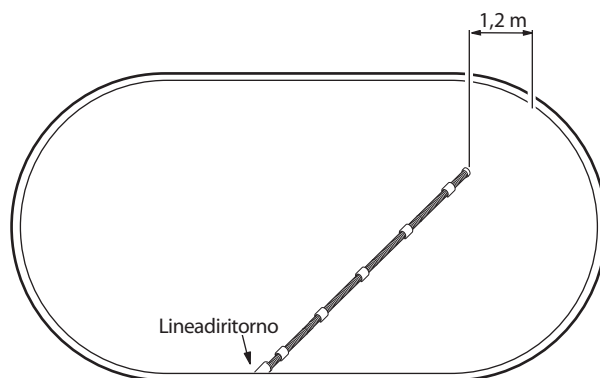
3

Regolazione del tubo galleggiante per adattarlo alla lunghezza della piscina

Con il tubo flessibile collegato alla parete della piscina in corrispondenza della linea di ritorno, estendere il tubo sino a raggiungere il punto più lontano della piscina. L'estremità del tubo deve essere di 120 cm (4 piedi) più corti di questo punto.

Il tubo è troppo lungo? Tagliare il tubo galleggiante in sovrappiù. Togliere il connettore del tubo dal pezzo in eccedenza e montarlo sulla nuova estremità del tubo galleggiante nel modo indicato sopra.

Il tubo è troppo corto? Solo per Polaris 165/Super Turtle, aggiungere la prolunga del tubo galleggiante alla sezione di tubo esistente e al modulo di superficie. Misurare di nuovo o regolare secondo necessità.



1. Aprire completamente il telaio del sacco del filtro e montarlo sul gruppo di pulizia a getto. Montare il gruppo sul tubo di pulizia.
2. Collegare il tubo di pulizia e quello galleggiante al modulo di superficie.
3. Immergere il Polaris nella piscina e accendere la pompa di filtraggio.
4. Estendere il tubo galleggiante verso il punto più lontano della piscina. Quando la pompa di filtraggio funziona, il modulo di superficie dovrebbe essere a circa 30 cm dalla parete della piscina.

Ottimizzazione della messa a punto del Polaris

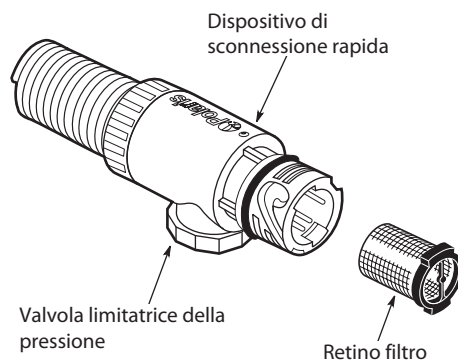
Quando funziona in modo corretto, il Polaris aspira e pulisce tutta la superficie della piscina con movimento casuale. Il modulo di superficie galleggia sull'acqua e ricicla acqua filtrata e pulita. Il tubo di pulizia e la sacca del filtro si muovono sul fondo della piscina per raccogliere lo sporco e i detriti.

Il Polaris cambia direzione ogni 15-25 secondi circa.

Valvola limitatrice della pressione

La valvola limitatrice della pressione nel dispositivo di sconnessione rapida sfoga automaticamente l'acqua se la pressione dell'acqua all'interno del Polaris diventa troppo alta. Può essere usata anche per regolare il movimento del dispositivo di pulizia.

Se il Polaris cambia direzione troppo in fretta, regolare la valvola limitatrice della pressione in modo da rallentare il dispositivo di pulizia.

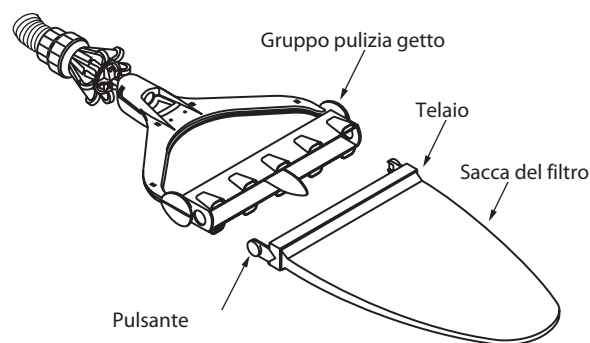


Manutenzione regolare

Pulizia del sacco del filtro

Premere i pulsanti sul gruppo pulizia getto per sganciare il sacco. Rivoltare il sacco per togliere i detriti.

Aprire completamente il telaio e rimontare il sacco.



Pulizia del retino del filtro

Il retino del filtro all'interno del dispositivo di sconnessione rapida

ferma tutti i detriti che non sono stati tolti dal sistema di filtraggio della piscina.

Per pulirlo, estrarlo, risciacquarlo e rimetterlo a posto.

Lavaggio del filtro della piscina

Scollegare sempre il Polaris dalla parete della piscina prima di pulire o lavare il suo filtro. Dopo avere pulito o lavato il filtro, lasciare che l'impianto di filtrazione funzioni per almeno cinque minuti prima di ricollegare il Polaris, in modo da lavare a fondo le linee di ritorno.

Conservazione e preparazione per l'inverno

Non conservare mai il Polaris alla luce diretta del sole. Quando si ripone per l'inverno, togliere completamente dall'acqua (i danni dovuti al ghiaccio non sono coperti dalla garanzia). Rimuovere il gruppo di pulizia getto dal tubo di pulizia e riporre in piano. Appendere o stendere il tubo in modo che rimanga dritto. Togliere tutti i raccordi dalle linee di ritorno incluso l'UWF. In certi casi può rendersi necessario l'uso dell'utensile per la rimozione dell'UWF (parte n. 10-102-00) disponibile presso i rivenditori Polaris.

Individuazione e soluzione dei problemi

Se il dispositivo di pulizia Polaris presenta spesso un numero qualsiasi dei sintomi seguenti, può rendersi necessario eseguire delle regolazioni per ripristinare le prestazioni. Per riferimento, vedere lo schema esplosivo dei pezzi.

Azione: Il Polaris non pulisce l'intera piscina o marcia lentamente

- Soluzione:**
1. Verificare che la valvola limitatrice della pressione sfoghi l'acqua. Se non lo fa, pulire o lavare il filtro della piscina.
 2. Controllare il retino del filtro nel dispositivo di sconnessione rapida e pulire se necessario.
 3. Verificare che il tubo galleggiante sia della lunghezza giusta.
 4. Rimuovere la parte alta del modulo di superficie. Con il Polaris in funzione, verificare che il tubo del movimento casuale si sposti avanti e indietro.

Se non muove: spegnere la pompa, scollegare i tubi, guardare nel meccanismo e individuare il connettore del filtro all'interno del tubo di movimento casuale. Se è ricoperto di sporco o di alghe, rimuovere la camera del connettore, il cilindro e il pistone. Estrarre il tubo del movimento casuale e pulire il connettore del filtro. Se il connettore è pulito, sostituire il pistone.

Se muove: osservare la sfera di movimento casuale nel meccanismo. Se non si muove nel corso di 2 minuti, sostituire il tubo di movimento casuale e il pistone.

5. Verificare che la pressione dell'acqua sia tra 35 e 70 kPa (5 e 10 psi). Il misuratore di pressione (pezzo n. 6-113-00) è disponibile presso i rivenditori Polaris locali.

Azione: Il modulo di superficie s'immerge o pende su di un lato.

- Soluzione:**
1. Raddrizzare i tubi che si fossero torti.
 2. Sollevare dall'acqua il modulo, svuotarlo e scuoterlo. Se rimane acqua all'interno, togliere la parte superiore, estrarre il gruppo del tappo di scarico e svuotare il modulo.
 3. Regolare la valvola limitatrice della pressione finché il modulo di superficie non si livella.
 4. Verificare che la pressione dell'acqua sia tra 35 e 70 kPa (5 e 10 psi). Il misuratore di pressione (parte n. 6-113-00) è disponibile presso i locali rivenditori autorizzati Polaris.

Azione: Il tubo galleggiante rimane arrotolato.

- Soluzione:**
1. Vedere "Il Polaris non pulisce la piscina".
 2. Stendere il tubo galleggiante al sole in modo da togliere le curvature.

Azione: Il modulo di superficie si muove troppo rapidamente.

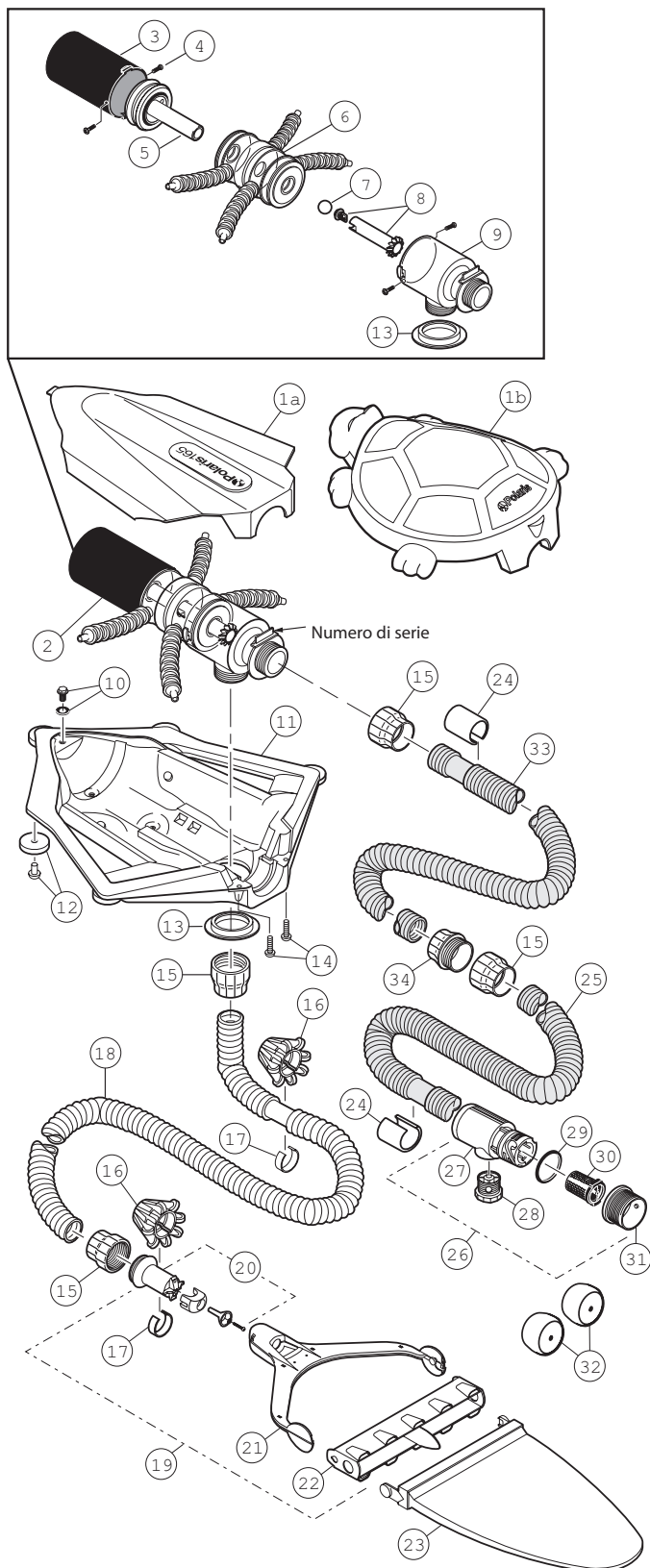
- Soluzione:**
1. Regolare la valvola limitatrice della pressione finché il modulo di superficie non rallenta.
 2. Solo nel Polaris 165/Super Turtle: rimuovere uno dei regolatori a bulbo e, se necessario, regolare di nuovo la valvola limitatrice della pressione.
 3. Verificare che la pressione dell'acqua sia tra 35 e 70 kPa (5 e 10 psi).

Azione: La sacca non rimane sulla superficie di fondo della piscina.

- Soluzione:**
1. Verificare che la sacca sia installata in modo corretto.
 2. Controllare che non ci siano bolle d'aria attorno al gruppo del corpo del getto. Ciò può indicare la presenza d'aria nelle tubature dell'acqua.
 3. Vedere "Il modulo di superficie si muove troppo rapidamente".

Polaris165/SuperTurtle

Schema esploso dei pezzi

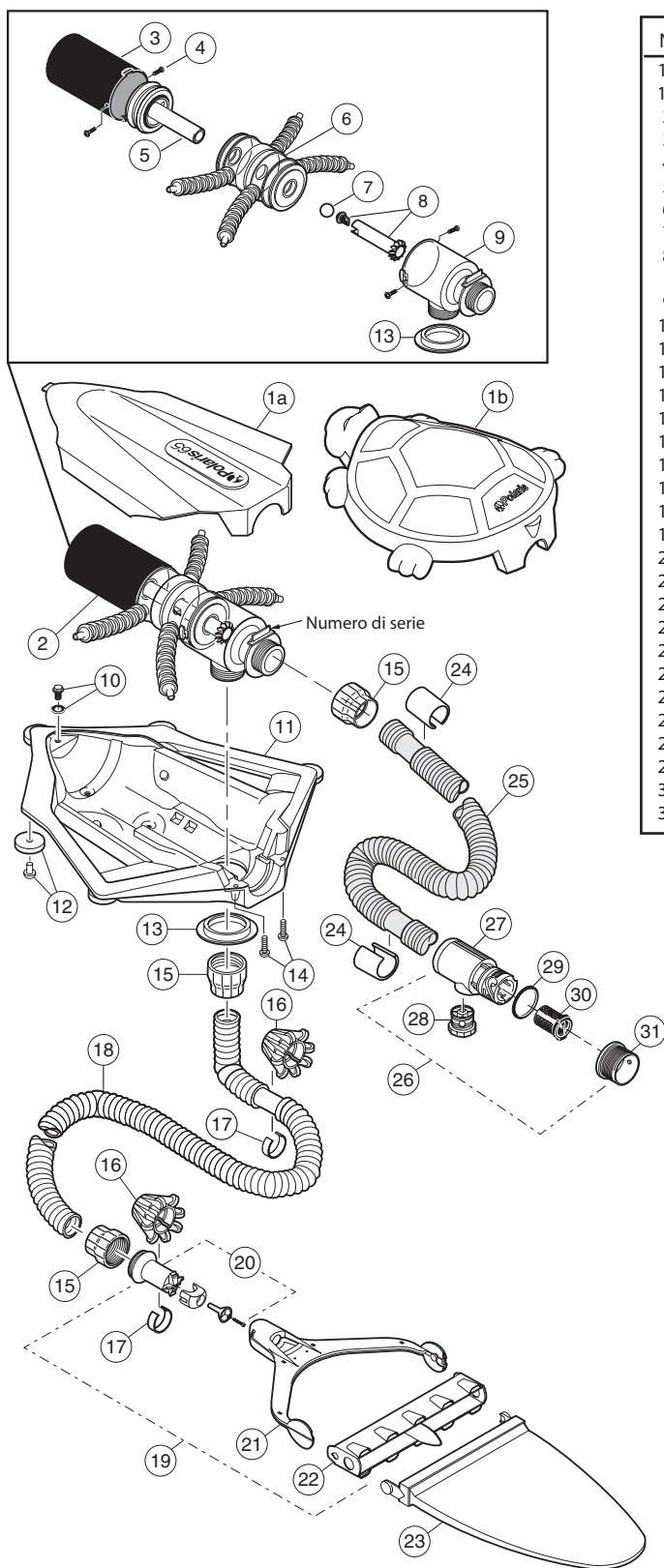


N.	Pezzo n.	Descrizione	Quantità
1a	6-306-00	Parte superiore modulo di superficie, granito	1
1b	6-309-00	Copertura a tartaruga	1
2	6-400-00	Meccanismo	1
3	6-407-00	Cilindro	1
4	6-413-00	Vite, meccanismo, n 6 x 5/16 di pollice	4
5	6-411-00	Gruppo pistone	1
6	6-409-00	Gruppo camera centrale	1
7	6-403-00	Sfera di movimento causale	1
8	6-406-00	Connettore filtro/kit tubo movimento casuale	1
9	6-408-00	Camera connettore	1
10	6-507-00	Gruppo tappo di scarico	1
11	6-305-00	Gruppo parte inferiore corpo	1
12	6-301-00	Kit ruote parte inferiore corpo	5
13	**	Collare di supporto	1
14	6-302-00	Vite, parte superiore, n 10 x 3/4 di pollice	2
15	6-104-00	Connettore tubo, femmina	4
16	6-107-00	Gruppo gabbia ruote	9
17	6-110-00	Peso del tubo	9
18	6-114-00	Tubo di pulizia completo, 10 piedi	1
19	6-212-00	Gruppo pulizia getto	1
20	6-116-00	Gruppo corpo getto	1
21	6-211-00	Cablaggio pulizia getto	1
22	6-210-00	Testa pulizia getto	1
23	6-206-00	Sacco d'impiego generale*	1
24	6-222-00	Galleggiante	24
25	6-225-00	Tubo galleggiante, 24 piedi (solo tubo)	1
26	6-508-00	Gruppo connettore dell'UWF	1
27	6-502-00	Dispositivo di sconnessione rapida, UWF	1
28	6-503-00	Valvola limitatrice della pressione	1
29	6-505-00	O-Ring, UWF/sconnessione rapida	1
30	6-504-00	Retino filtro, UWF/sconnessione rapida	1
31	6-500-00	Raccordo a parete universale (UWF)	1
32	10-107-00	Regolatore a bulbo	2
33	6-221-00	Kit prolunga tubo galleggiante, 8 piedi	1
34	6-103-00	Connettore tubo, maschio	1

* Gli articoli di consumo sono esclusi dalla garanzia.

Polaris 65/TurboTurtle

Schema esploso dei pezzi



N.	Pezzo n.	Descrizione	Quantità
1a	6-306-00	Parte superiore modulo di superficie, blu	1
1b	6-309-00	Copertura a tartaruga	1
2	6-400-00	Meccanismo	1
3	6-407-00	Cilindro	1
4	6-413-00	Vite, meccanismo, n 6 x 5/16 di pollice	4
5	6-411-00	Gruppo pistone	1
6	6-409-00	Gruppo camera centrale	1
7	6-403-00	Sfera di movimento causale	1
8	6-406-00	Connettore filtro/kit tubo movimento casuale	1
9	6-408-00	Camera connettore	1
10	6-507-00	Gruppo tappo di scarico	1
11	6-305-00	Gruppo parte inferiore corpo	1
12	6-301-00	Kit ruote parte inferiore corpo	5
13	**	Collare di supporto	1
14	6-302-00	Vite, parte superiore, n 10 x 3/4 di pollice	2
15	6-104-00	Connettore tubo, femmina	4
16	6-107-00	Gruppo gabbia ruote	9
17	6-110-00	Peso del tubo	9
18	6-114-00	Tubo di pulizia completo, 10 piedi	1
19	6-212-00	Gruppo pulizia getto	1
20	6-116-00	Gruppo corpo getto	1
21	6-211-00	Cablaggio pulizia getto	1
22	6-210-00	Testa pulizia getto	1
23	6-206-00	Sacco d'impiego generale*	1
24	6-222-00	Galleggiante	24
25	6-225-00	Tubo galleggiante, 24 piedi (solo tubo)	1
26	6-508-00	Gruppo connettore dell'UWF	1
27	6-502-00	Dispositivo di sconnessione rapida, UWF	1
28	6-503-00	Valvola limitatrice della pressione	1
29	6-505-00	O-Ring, UWF/sconnessione rapida	1
30	6-504-00	Retino filtro, UWF/sconnessione rapida	1
31	6-500-00	Raccordo a parete universale (UWF)	1

* Gli articoli di consumo sono esclusi dalla garanzia.

Informações importantes

- Antes de instalar o Polaris, assegure-se de que o filtro da piscina está limpo.
- Purgue a tubulação nova antes de instalar o Polaris.
- Nunca toque no Polaris enquanto este estiver a funcionar.
- Retire sempre o Polaris antes que alguém use a piscina para nadar.
- Sempre que limpar ou retrolavar o filtro da piscina, desconecte o Polaris da parede da piscina.
- Depois de limpar ou retrolavar, deixe o sistema de filtro funcionar durante, pelo menos, 5 minutos antes de voltar a conectar o Polaris.
- Retire sempre o Polaris da piscina antes de qualquer tratamento químico intensivo (choque).

Para contactar o serviço técnico ou a assistência ao cliente:

- Envie o cartão da garantia imediatamente.
- Assistência on-line: www.polarispool.com
- Para entrar em contacto com a Polaris:

US and Canada
Customer Service
2620 Commerce Way
Vista, CA 92081-8438
1-800-822-7933

Polaris Garantia

Agradecemos a sua escolha e confiança depositada na marca Polaris Vac-Sweep® 65/Polaris Turbo Turtle®, Polaris Vac-Sweep® 165/Polaris Super Turtle®. Este produto foi concebido, fabricado e verificado usando do maior cuidado para assegurar completa satisfação.

A garantia é válida por 2 anos a partir da data de facturação ao primeiro utilizador.

ATENÇÃO: UTILIZAÇÃO DO POLARIS EM PISCINAS DE VINIL

Alguns padrões de revestimento de vinil são particularmente susceptíveis a um desgaste rápido da superfície ou ao desaparecimento do padrão causado por objectos que entram em contacto com a superfície de vinil, incluindo escovas de piscina, brinquedos, bóias, fontes, distribuidores flutuantes de cloro e aspiradores automáticos de piscinas. Alguns padrões de revestimento de vinil podem ficar bastante arranhados ou gastos devido à simples acção de escovar a superfície com uma escova de limpar piscinas. A tintado acabamento do padrão também pode sair durante o processo de instalação ou quando entra em contacto com objectos na piscina. A Zodiac Pool Systems, Inc., não assume responsabilidade nem a Garantia Limitada cobrir remoções do acabamento, abrasões ou marcas no revestimento de vinil.

Introdução

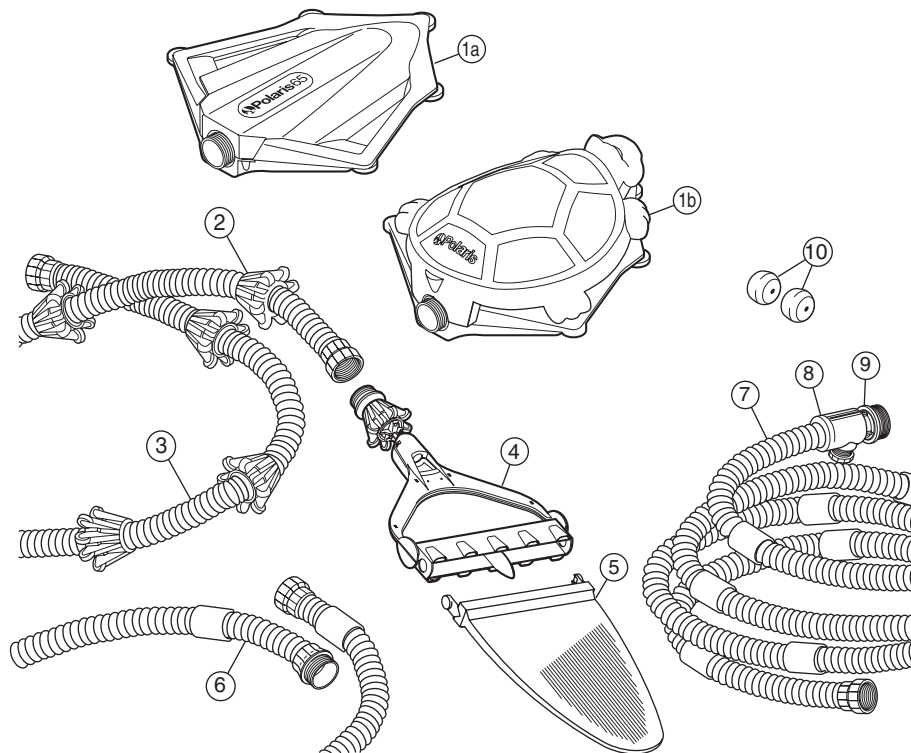
Parabéns pela aquisição do seu novo aspirador automático de piscina. Agradecemos a sua escolha do Polaris. O Polaris 65/Turbo Turtle para piscinas acima do solo e o Polaris 165/Super Turtle para piscinas de vinil ou fibra de vidro abaixo do solo foram projectados para funcionar confiavelmente por anos a fio.

Como a maioria dos aparelhos mecânicos, o Polaris necessita de ajustes periódicos, manutenção de rotina e substituição de certas peças muito usadas. O Polaris deve ocasionalmente passar por uma revisão no distribuidor local da Polaris ou numa oficina autorizada.

Insista sempre na aplicação de peças originais Polaris. As peças não-originais da Polaris não são fabricadas de acordo com nossas especificações. Tais peças podem prejudicar o funcionamento do Polaris ou até mesmo danificá-lo.

Aspirador completo Polaris

- | | |
|--|---|
| 1a. Módulo de superfície | 7. Mangueira flutuante |
| 1b. Tampa tipo tartaruga | 8 Engate rápido |
| 2. Grade de rodas | 9. Conexão universal de parede (UWF) |
| 3. Mangueira de varredura | 10. Reguladores de olhal (2) — apenas para o 165 e Super Turtle |
| 4. Conjunto de jactos de varredura | |
| 5. Saco multuso | |
| 6. Extensão da mangueira flutuante com conector — apenas para o 165 e Super Turtle | |



Instruções para instalação rápida

Três etapas para instalar rapidamente e obter o desempenho máximo do Polaris:

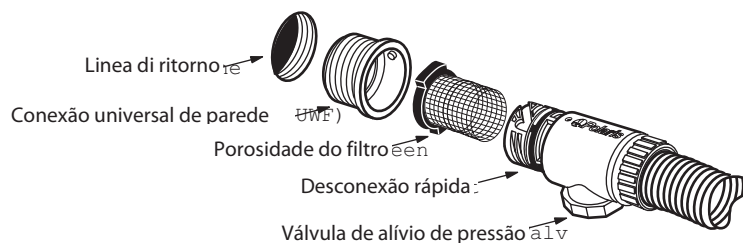
- Instale a conexão universal de parede com a desconexão rápida e os reguladores de olhal
- Ajuste a mangueira de varredura de acordo com a profundidade da piscina
- Ajuste a mangueira flutuante de acordo com o comprimento da piscina

1

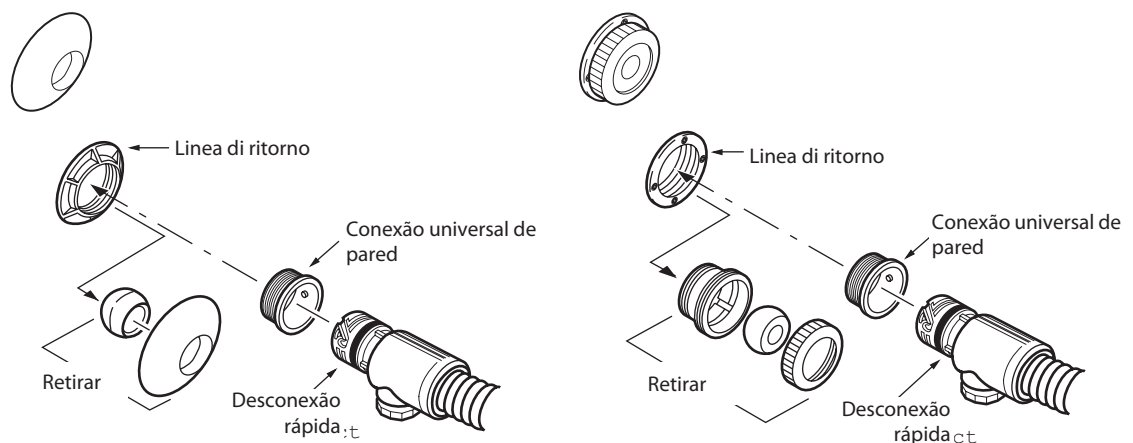
Instale a conexão universal de parede

Instalação em minutos em piscinas com uma linha de retorno de rosca interior de 1,5 polegadas (3,8 cm).

1. Ligue a bomba de filtragem da piscina e purgue a canalização. Desligue a bomba.
2. Apenas para o Polaris 165/Super Turtle — Use a linha de retorno mais próxima do ponto central da parede mais comprida da piscina no Polaris. Se houver duas linhas, escolha a linha de retorno mais próxima ao equipamento da piscina. Coloque os discos reguladores de olhal dentro das outras linhas de retorno.
3. Retire a conexão universal da desconexão rápida e enrosque-a na abertura de retorno.
4. Rode a desconexão rápida no sentido dos ponteiros dum relógio dentro da conexão universal e puxe para fora para prender a conexão.



Se a linha de retorno tiver uma das conexões mostradas abaixo, retire as peças da maneira ilustrada e instale a conexão universal (UWF).

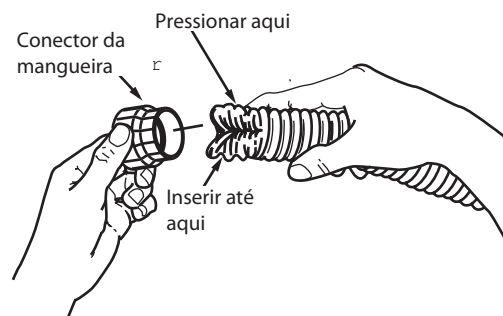


Para adaptar uma tubagem de retorno de 3,2 cm (1-1/4 pol.) ou de 5 cm (2 pol.), use o Kit Adaptador Polaris que foi incluído como seu equipamento de limpeza. Se a linha de retorno for diferente de todas as mostradas acima, contacte a Polaris para obter assistência.

2

Ajustar a mangueira de varredura de acordo com a profundidade da piscina

1. Meça o ponto mais profundo da piscina. Acrescente 60 cm à essa medida para obter o comprimento correcto da mangueira de varredura.
2. Se a mangueira de varredura for maior que essa medida, corte o excesso de mangueira.
3. Retire o conector da mangueira do pedaço de mangueira que acabou de cortar.
4. Use os dedos para pressionar a mangueira de varredura. Empurre a mangueira para dentro do conector até o primeiro sulco estar do lado de dentro.
5. Coloque os dedos dentro da mangueira, passe-os por dentro do conector e volte a restaurar a mangueira para o seu formato original.



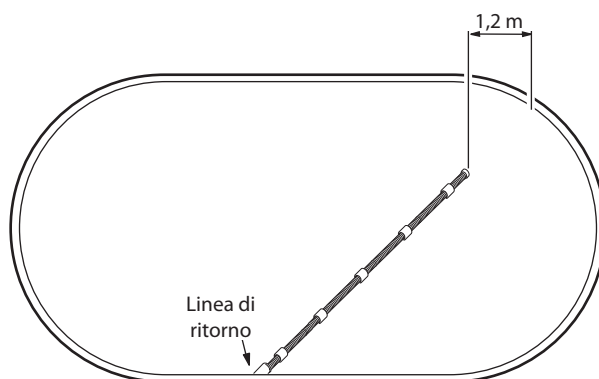
3

Ajustar a mangueira flutuante de acordo com o comprimento da piscina

Com a mangueira conectada na parede da piscina no local da linha de retorno, estique a mangueira até ao ponto mais distante da piscina. O final da mangueira deverá ser 120 cm mais curto do que esse ponto.

Mangueira comprida demais? Corte o excesso de mangueira flutuante. Retire o conector da mangueira do pedaço de mangueira que acabou de cortar e coloque-o na ponta nova da mangueira flutuante, como indicado acima.

Mangueira curta demais? Apenas para o Polaris 165/Super Turtle, insira a extensão da mangueira flutuante entre a secção da mangueira flutuante existente e o módulo de superfície. Meça novamente e ajuste se necessário.



1. Abra o lado do filtro da armação completamente e fixe-o no conjunto de jactos de varredura. Fixe a unidade à mangueira de varredura.
2. Fixe a mangueira flutuante e a mangueira de varredura ao módulo de superfície.
3. Coloque o Polaris na piscina e ligue a bomba de filtração da piscina.
4. Estique a mangueira flutuante até ao ponto mais afastado da piscina. Quando a bomba estiver a funcionar, o módulo de superfície deverá estar a aproximadamente 30 cm da parede da piscina.

Regular o aspirador Polaris

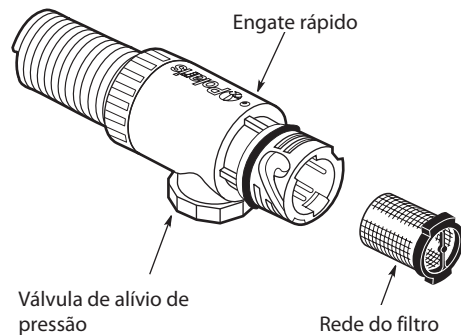
Se estiver a funcionar correctamente, o Polaris aspira e varre todas as superfícies, movendo-se aleatoriamente pela piscina. O módulo de superfície flutua na superfície da água, recirculando água limpa e filtrada. A mangueira de varredura e o saco do filtro movimentam-se pelo fundo da piscina colectando sujidades e detritos.

O Polaris muda de direcção aproximadamente a cada 15-25 segundos.

Válvula de alívio de pressão

A válvula de alívio de pressão do engate rápido deixa sair água automaticamente se o Polaris estiver a receber demasiada pressão de água. Esta também pode ser usada para regular o movimento do aspirador.

Se o Polaris estiver a mudar de direcção muito rapidamente, ajuste a válvula de alívio de pressão para que o movimento seja mais lento.

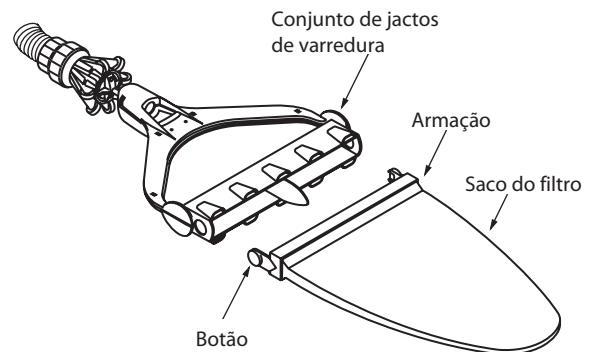


Manutenção de rotina

Limpeza do saco do filtro

Pressione os botões do conjunto de jactos de varredura para soltar o saco. Vire o saco do avesso para limpar os detritos.

Abra completamente a armação e recolque o saco.



Como limpar a rede do filtro

A rede do filtro no interior do engate rápido colecta os detritos que o sistema de filtragem da piscina deixou passar. Para limpá-la, empurre-a para fora e passe-a por água. Pressione-a novamente para voltar a colocá-la no seu lugar.

Retrolavagem do filtro da piscina

Para limpar ou retrolavar o filtro da piscina, desconecte sempre o Polaris da parede da piscina. Depois de limpar ou retrolavar, deixe o sistema de filtro funcionar durante, pelo menos 5 minutos, a fim de purgar as linhas de retorno, antes de voltar a conectar o Polaris.

Armazenagem e preparação para o Inverno

Nunca guarde o Polaris sob luz solar directa. Quando proceder à armazenagem durante o período de Inverno, drene toda a água (os danos causados por congelamento não são cobertos pela garantia). Retire o conjunto de jactos de varredura da mangueira de varredura e guarde-o em lugar plano. Pendure ou estenda a mangueira recta. Retire todas as conexões das linhas de retorno, incluindo a conexão universal. Em alguns casos, pode ser necessário usar a ferramenta de remoção da conexão universal (peça nº 10-102-00), que pode ser adquirida em qualquer distribuidor Polaris.

Identificação e correcção de problemas

Seo aspirador Polaris apresentar frequentemente algumas das seguintes acções, é necessário fazer alguns ajustes para restabelecer o funcionamento correcto. Consulte o diagrama de peças (vista explodida) para obter as referências das peças.

Acção: O Polaris não limpa toda a piscina ou movimenta-se vagarosamente.

- Solução:**
1. Verifique se a válvula de alívio de pressão está a deixar sair água. Se não estiver, limpe ou retrolave o filtro da piscina.
 2. Examine a rede do filtro do engate rápido e limpe-a se necessário.
 3. Verifique se a mangueira flutuante tem o comprimento adequado.
 4. Retire a tampa do módulo de superfície. Como Polaris em funcionamento, verifique se o tubo de aleatoriedade se movimenta para a frente e para trás.

Se não estiver a movimentar: Desligue a bomba, desconecte as mangueiras, examine o interior do mecanismo e localize o conector do filtro no interior do tubo de aleatoriedade. Se estiver coberto de detritos ou algas, retire a câmara do conector, o cilindro e o pistão. Retire o tubo de aleatoriedade puxando-o para fora e limpe o conector do filtro. Se o conector estiver limpo, coloque o pistão no lugar.

Se estiver a movimentar-se: Observe a esfera de aleatoriedade do mecanismo. Se ela não se movimentar em dois minutos, substitua o tubo de aleatoriedade e o pistão.
 5. Verifique se a pressão da água se encontra entre 5 e 10 psi (35 e 70 kPa). Medidores de pressão (peça nº 6-113-00) podem ser obtidos através dos revendedores Polaris.

Acção: O módulo de superfície mergulha na água ou fica virado de lado.

- Solução:**
1. Endireite as mangueiras tortas.
 2. Retire o módulo de superfície da água, esvazie e sacuda-o. Se ainda houver água no seu interior, retire a tampa, puxe o tampão de drenagem para fora e drene o módulo.
 3. Ajuste a válvula de alívio de pressão até que o módulo de superfície fique nivelado.
 4. Verifique se a pressão da água se encontra entre 5 e 10 psi (35 e 70 kPa). Verificadores de pressão (peça nº 6-113-00) podem ser obtidos através dos revendedores autorizados Polaris.

Acção: A mangueira flutuante continua enrolada.

- Solução:**
1. Consulte "O Polaris não limpa toda a piscina".
 2. Estenda a mangueira flutuante recta ao sol e desenrole-a.

Acção: O módulo de superfície movimenta-se muito rapidamente.

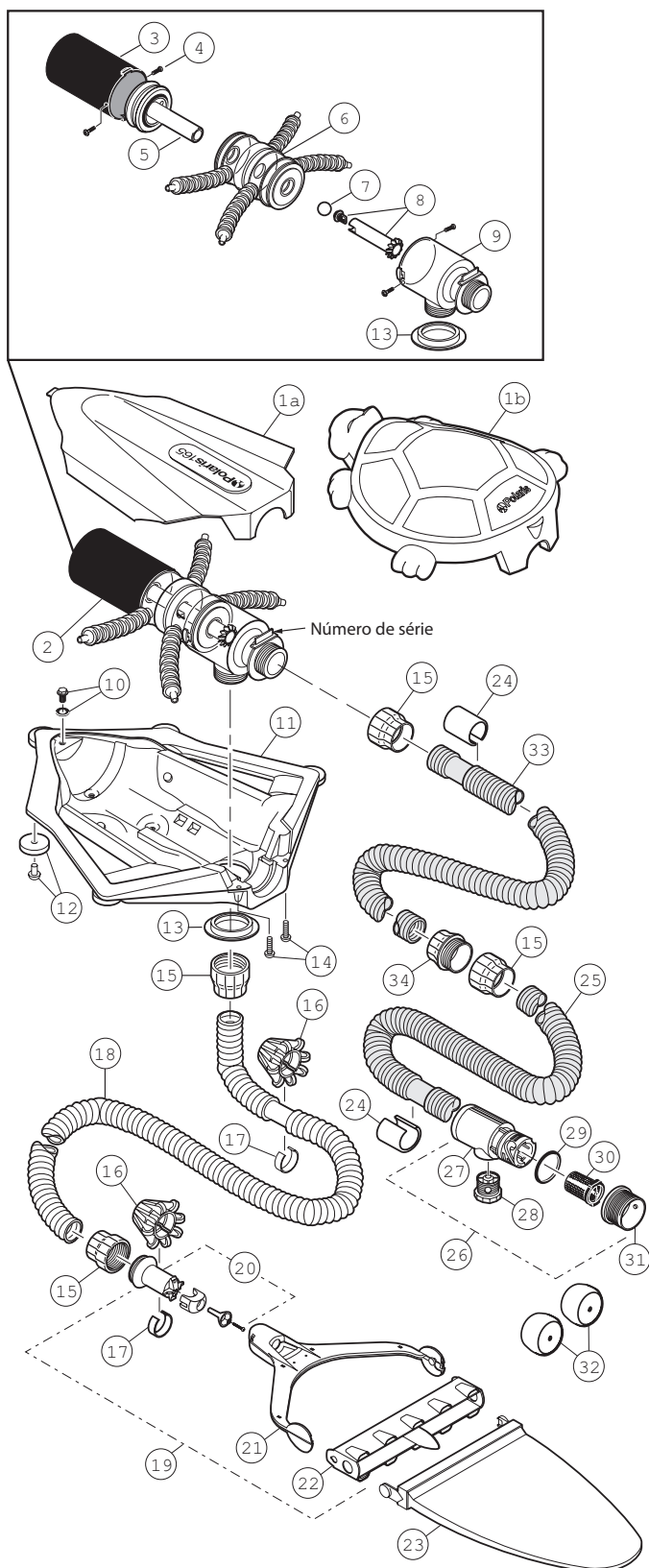
- Solução:**
1. Ajuste a válvula de alívio de pressão até que o módulo de superfície fique mais lento.
 2. Apenas no 165/Super Turtle: Retire um dos reguladores de oíhale, se necessário, reajuste a válvula de alívio de pressão.
 3. Verifique se a pressão da água se encontra entre 5 e 10 psi (35 e 70 kPa).

Acção: O saco não permanece no fundo da piscina.

- Solução:**
1. Verifique se o saco foi colocado correctamente.
 2. Verifique se há bolhas de ar à volta do conjunto de jactos de varredura. Isso pode indicar a existência de ar na tubagem.
 3. Consulte "O módulo de superfície movimenta-se muito rapidamente".

Polaris165/SuperTurtle

Diagrama ilustrativo de peças

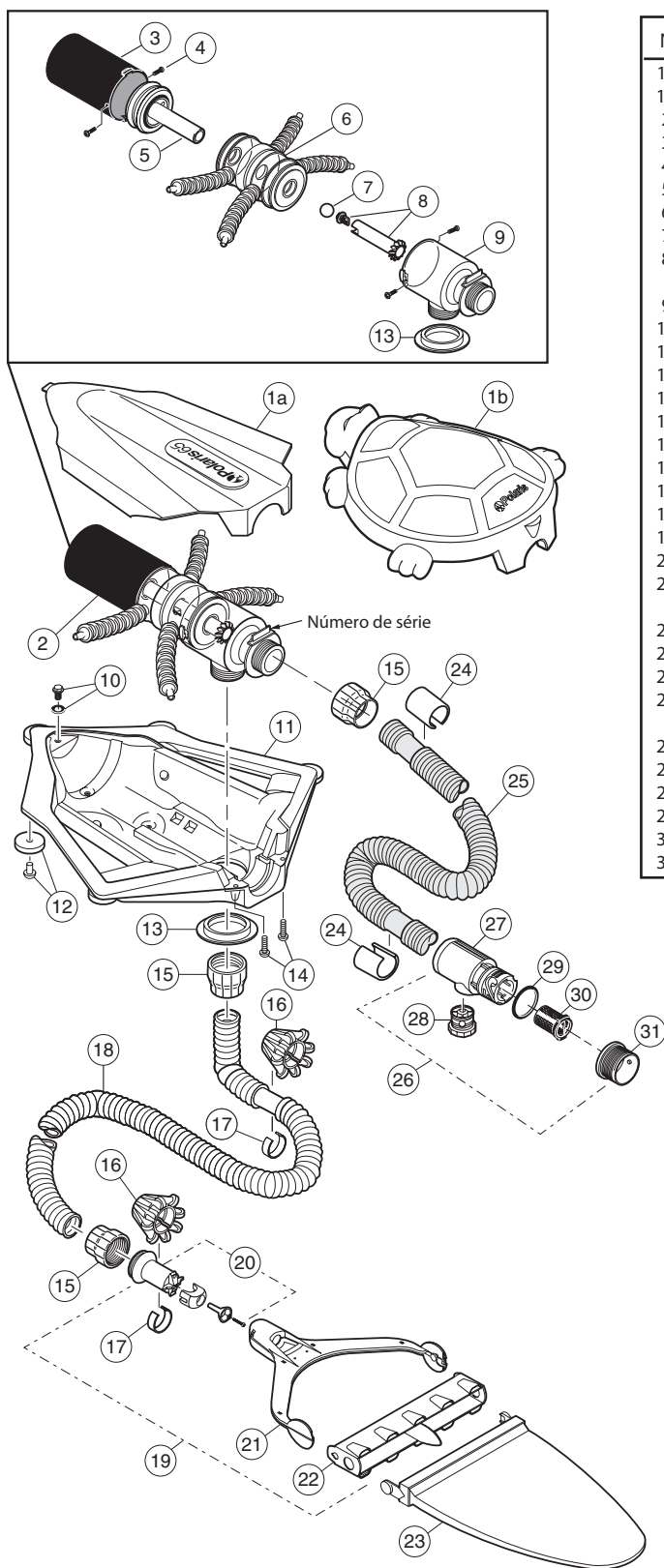


Nº	Nº da Peça	Descrição	Quant.
1a	6-306-00	Tampa do módulo de superfície – granito	1
1b	6-309-00	Tampa tipo tartaruga	1
2	6-400-00	Mecanismo	1
3	6-407-00	Cilindro	1
4	6-413-00	Parafuso do mecanismo, nº 6 x 5/16"	4
5	6-411-00	Pistão	1
6	6-409-00	Câmara central	1
7	6-403-00	Esfera de aleatoriedade	1
8	6-406-00	Conector do filtro/Kit do tubo de aleatoriedade	1
9	6-408-00	Câmara do conector	1
10	6-507-00	Tampão de drenagem	1
11	6-305-00	Carcaça inferior	1
12	6-301-00	Kit de rodas da carcaça inferior	5
13	**	Anel de apoio	1
14	6-302-00	Parafuso superior, nº 10 x 3/4"	2
15	6-104-00	Conector da mangueira — fêmea	4
16	6-107-00	Grade de rodas	9
17	6-110-00	Peso da mangueira	9
18	6-114-00	Mangueira de varredura completa, 3 m	1
19	6-212-00	Conjunto de jactos de varredura	1
20	6-116-00	Unidade do jacto	1
21	6-211-00	Suporte do conjunto de jactos de varredura	1
22	6-210-00	Cabeçote dos jactos de varredura	1
23	6-206-00	Saco multiuso*	1
24	6-222-00	Flutuador	24
25	6-225-00	Mangueira flutuante, 7,30 m (só mangueira)	1
26	6-508-00	Unidade de conexão universal (UWF)	1
27	6-502-00	Engate rápido (ER) do UWF	1
28	6-503-00	Válvula de alívio de pressão	1
29	6-505-00	O-Ring — UWF/ER	1
30	6-504-00	Rede de filtro, UWF/ER	1
31	6-500-00	Conexão universal de parede (UWF)	1
32	10-107-00	Regulador de olhal	2
33	6-221-00	Conj. de extensão da mangueira flutuante, 2,45 m	1
34	6-103-00	Conector da mangueira — macho	1

*Os elementos sujeitos a desgastar não estão cobertos pela garantia.

Polaris 65/TurboTurtle

Diagrama ilustrativo de peças



Nº	Nº da Peça	Descrição	Quant.
1a	6-306-00	Tampa do módulo de superfície – azul	1
1b	6-309-00	Tampa tipo tartaruga	1
2	6-400-00	Mecanismo	1
3	6-407-00	Cilindro	1
4	6-413-00	Parafuso do mecanismo, nº 6 x 5/16"	4
5	6-411-00	Pistão	1
6	6-409-00	Câmara central	1
7	6-403-00	Esfera de aleatoriedade	1
8	6-406-00	Conector do filtro/Kit do tubo de aleatoriedade	1
9	6-408-00	Câmara do conector	1
10	6-507-00	Tampão de drenagem	1
11	6-305-00	Carcaça inferior	1
12	6-301-00	Kit de rodas da carcaça inferior	5
13	**	Anel de apoio	1
14	6-302-00	Parafuso superior, nº 10 x 3/4"	2
15	6-104-00	Conector da mangueira — fêmea	4
16	6-107-00	Grade de rodas	9
17	6-110-00	Peso da mangueira	9
18	6-114-00	Mangueira de varredura completa, 3 m	1
19	6-212-00	Conjunto de jactos de varredura	1
20	6-116-00	Unidade do jacto	1
21	6-211-00	Suporte do conjunto de jactos de varredura	1
22	6-210-00	Cabeçote dos jactos de varredura	1
23	6-206-00	Saco multiuso*	1
24	6-222-00	Flutuador	24
25	6-225-00	Mangueira flutuante, 7,30 m (só mangueira)	1
26	6-508-00	Unidade de conexão universal (UWF)	1
27	6-502-00	Engate rápido (ER) do UWF	1
28	6-503-00	Válvula de alívio de pressão	1
29	6-505-00	O-Ring — UWF/ER	1
30	6-504-00	Rede de filtro, UWF/ER	1
31	6-500-00	Conexão universal de parede (UWF)	1

*Oselementossujeitosadesgastãonãostãocobertospelagarantia.

Notes

Notes



Your pool. Our reputation.

2620 Commerce Way, Vista, CA 92081-8438 • 1-800-822-7933

www.polarispool.com