

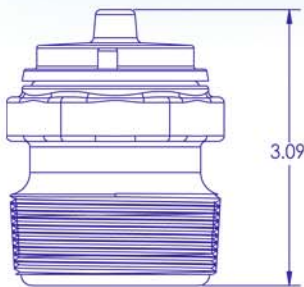
Draining your Pool? Prevent the Boat Effect

Hydrostatic Relief Valve

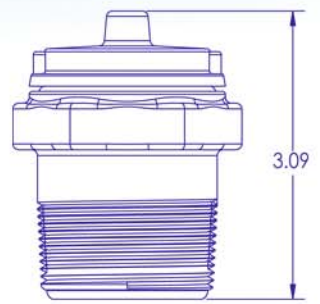
A hydrostatic relief valve prevents your swimming pool from wanting to become a "boat". If the bottom of the pool is below the level of ground water, and the pool is emptied, the pool would want to float in the underground water.



- ▶ Accomodates 1-1/2" and 2" Pipe Threads
- ▶ Corrosion Resistant Metal Components
- ▶ Spring Loaded with Neoprene O-Ring Seal
- ▶ Machined Valve Seat
- ▶ Easy Installation using standard Hex Socket
- ▶ Low Rate Stainless Steel Return Spring



Swimming Pool Products



Available Through Distribution Nationwide

1871 Aspen Circle • Pueblo, Colorado 81006 • Phone 800-748-2770 • Fax 719-544-3106
Vist Us At www.permacastonline.com