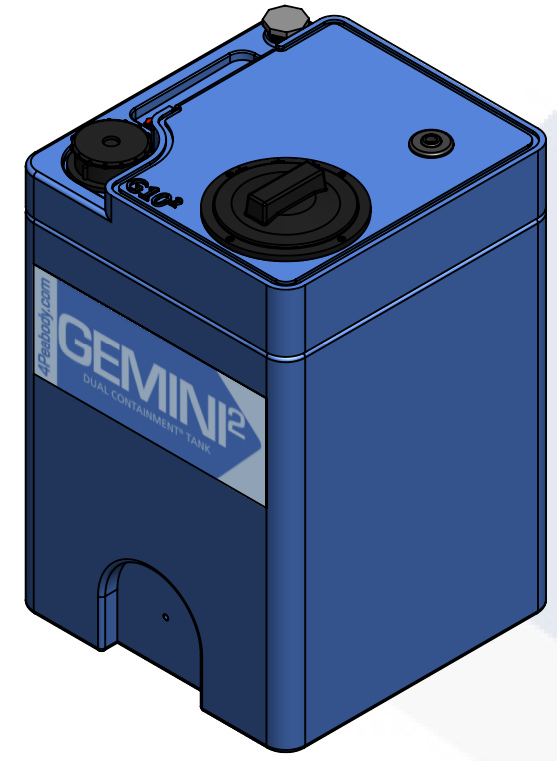
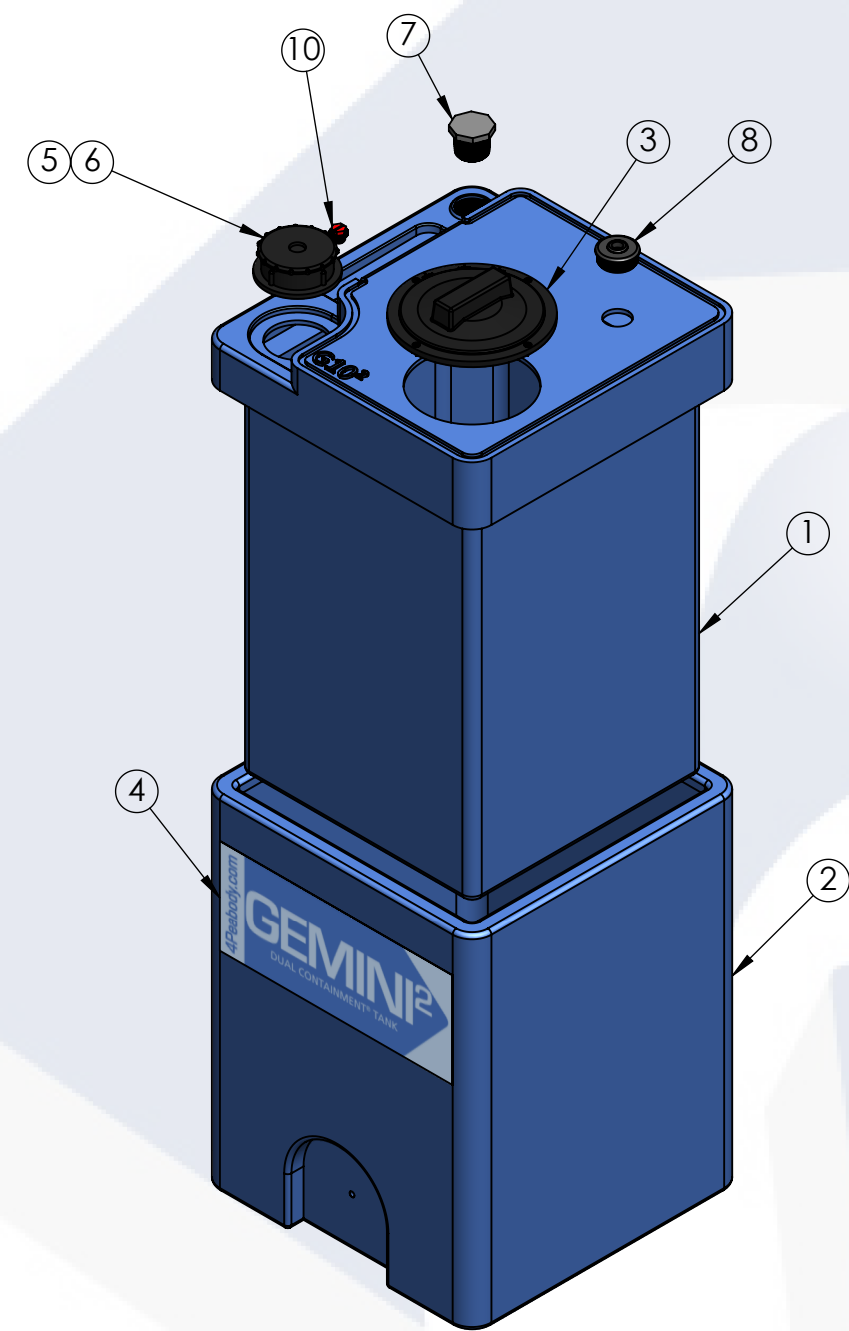


10 GALLON GEMINI <sup>2</sup>	PART NUMBER	
	BLUE	NATURAL
LPE (1.5)	01-29816	01-29820
LPE (1.9)	01-30044	01-30048
XLPE (1.5)	N/A	01-30146
XLPE (1.9)	N/A	01-30151

ALTERNATE CONFIGURATION TO MEET NSF/ANSI STANDARD 61 AVAILABLE



**ISOMETRIC VIEW  
(ASSEMBLED)**



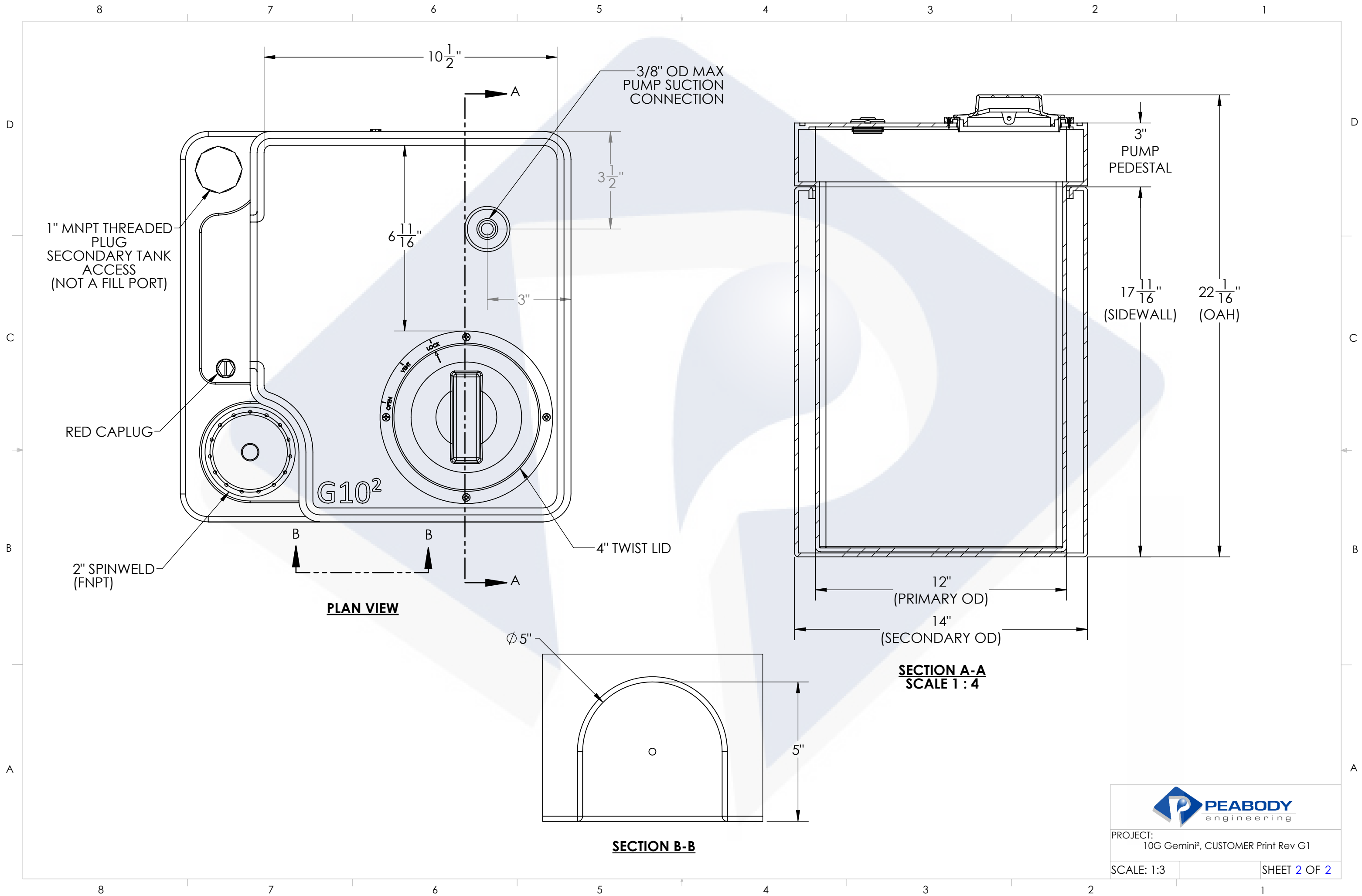
**ISOMETRIC VIEW  
(EXPLODED)**

TOP LEVEL ASSEMBLY		
ITEM NO.	DESCRIPTION	QTY.
1	10G GEMINI <sup>2</sup> , PRIMARY TANK	1
2	10G GEMINI <sup>2</sup> , SECONDARY TANK	1
3	Ø6" OD / 4" ID TWIST LID ASSY	1
4	GEMINI <sup>2</sup> MOLD IN LOGO	1
5	Ø2" FNPT SPIN WELD FITTING, PE	1
6	Ø2" MPT PLUG, PE, BLACK	1
7	Ø1" MNPT THREADED PLUG BLACK PE	1
8	Ø1-5/8" CAPLUG / GROMMET ASSY	1
10	RED CAPLUG / O-RING SUB-ASSY	1

- NOTES:**
- CAPACITY: 10 GAL. NOMINAL
  - APPROXIMATE WEIGHT: 15 LBS
  - TANK MATERIAL: LLDPE W/ UV INHIBITOR
  - GASKET: EPDM
  - SERVICE PRESSURE: ATMOSPHERIC

**PROPRIETARY AND CONFIDENTIAL**  
THE INFORMATION CONTAINED IN THIS DRAWING IS THE SOLE PROPERTY OF PEABODY ENGINEERING. ANY REPRODUCTION IN PART OR AS A WHOLE WITHOUT THE WRITTEN PERMISSION OF PEABODY ENGINEERING IS PROHIBITED.

UNLESS OTHERWISE SPECIFIED:		NAME	DATE		
DIMENSIONS ARE IN INCHES TOLERANCES: ±1/4" ANGULAR: ± .5° ONE PLACE DECIMAL: ± .25 TWO PLACE DECIMAL: ± .125 THREE PLACE DECIMAL: ± .063		DRAWN	MHS 2/24/17		PROJECT: GEMINI <sup>2</sup> DUAL CONTAINMENT TANK
TANK MATERIAL: LPE		CHECKED			CUSTOMER: PEABODY STANDARD
INNER TANK S/N:		ENG APPR.			SITE/LOCATION: -
OUTER TANK S/N:		MFG APPR.		DRAWING#: SEE TABLE	
CUSTOMER PO#		Q.A.		SIZE B	
DO NOT SCALE DRAWING		<b>ALTERNATIVE VERSIONS</b> MATERIALS: XLPE, PPL, PVDF COLORS: NATURAL, BLUE OR BLACK AVAILABLE WITH FRP WRAP		DESC. 10 GALLON GEMINI <sup>2</sup> TANK, 14" x 14" x 22" REV. G	
		CALL FOR PART NUMBERS		SCALE: 1:7	
				SHEET 1 OF 2	



1" MNPT THREADED  
PLUG  
SECONDARY TANK  
ACCESS  
(NOT A FILL PORT)

RED CAPPLUG

2" SPINWELD  
(FNPT)

G10<sup>2</sup>

3/8" OD MAX  
PUMP SUCTION  
CONNECTION

3"  
PUMP  
PEDESTAL

17 11/16"  
(SIDEWALL)

22 1/16"  
(OAH)

4" TWIST LID

12"  
(PRIMARY OD)

14"  
(SECONDARY OD)

**SECTION A-A**  
**SCALE 1 : 4**

**PLAN VIEW**

Ø 5"

**SECTION B-B**



PROJECT:  
10G Gemini<sup>2</sup>, CUSTOMER Print Rev G1

SCALE: 1:3

SHEET 2 OF 2