



# AQUATRAM<sup>®</sup> 360

## SWIMMING POOL ACCESS LIFT



## INSTALLATION AND USER'S GUIDE

IMPORTANT SAFETY INSTRUCTIONS  
*READ AND FOLLOW ALL INSTRUCTIONS*  
SAVE THESE INSTRUCTIONS

# AquaTram 360 Lift

500 LB. [227 kg] MAXIMUM CAPACITY

MANDATORY - LEAVE THIS MANUAL WITH LIFT OWNER

## READ CAREFULLY

Check entire box and inside all packing materials for parts. Before beginning assembly, read the instructions and identify parts using the figures and parts listed in this document.

It is critical all parts be carefully inspected by the installer prior to installation to ensure no damage occurred in transit and a damaged part is not used. If any damage occurred in transit, Pentair Commercial Aquatics™ ("Pentair") must be notified within three days of receipt of unit.

Proper installation cannot be overstressed, as an improper installation voids Pentair's warranty and may affect the safety of the user.



## WARNING

### IMPORTANT SAFETY INSTRUCTIONS

1. READ AND FOLLOW ALL INSTRUCTIONS. LIFT SAFETY CAN ONLY BE ENSURED IF THE LIFT IS INSTALLED AND OPERATED PROPERLY - ACCORDING TO THESE INSTRUCTIONS.
2. WARNING - TO REDUCE RISK OF INJURY, DO NOT PERMIT CHILDREN TO USE OR OPERATE THIS PRODUCT.
3. WARNING - DO NOT PERMIT CHILDREN TO PLAY ON THIS PRODUCT.
4. WARNING - NEVER APPLY DIRECT WATER PRESSURE TO ELECTRONIC COMPONENTS.
5. DO NOT USE THE AQUATRAM 360 FOR WATER DRAFTS OVER 10" (DECK TO WATERLINE).
6. NEVER OPERATE THIS LIFT UNDER LOAD WITH NO WATER (DRY POOL).
7. SAVE A COPY OF THESE INSTRUCTIONS.

## WARNING

MAKE SURE THE AREA AROUND THE LIFT IS CLEAR BEFORE OPERATING. NEVER OPERATE THE LIFT WITH ANY PERSON WITHIN THE OPERATING RANGE OF THE LIFT, INCLUDING ON THE DECK OR IN THE WATER. NEVER MOVE THE LIFT DOWN WHILE OVER THE DECK. IF THE LIFT COMES INTO CONTACT WITH THE DECK OR A WALL, RELEASE THE BUTTON IMMEDIATELY OR PRESS THE EMERGENCY STOP BUTTON. DO NOT ALLOW CHILDREN TO OPERATE THE LIFT WITHOUT SUPERVISION.

CHECK ALL NUTS AND BOLTS FOR TIGHTNESS AND FOR WORN PARTS BEFORE EACH USE.

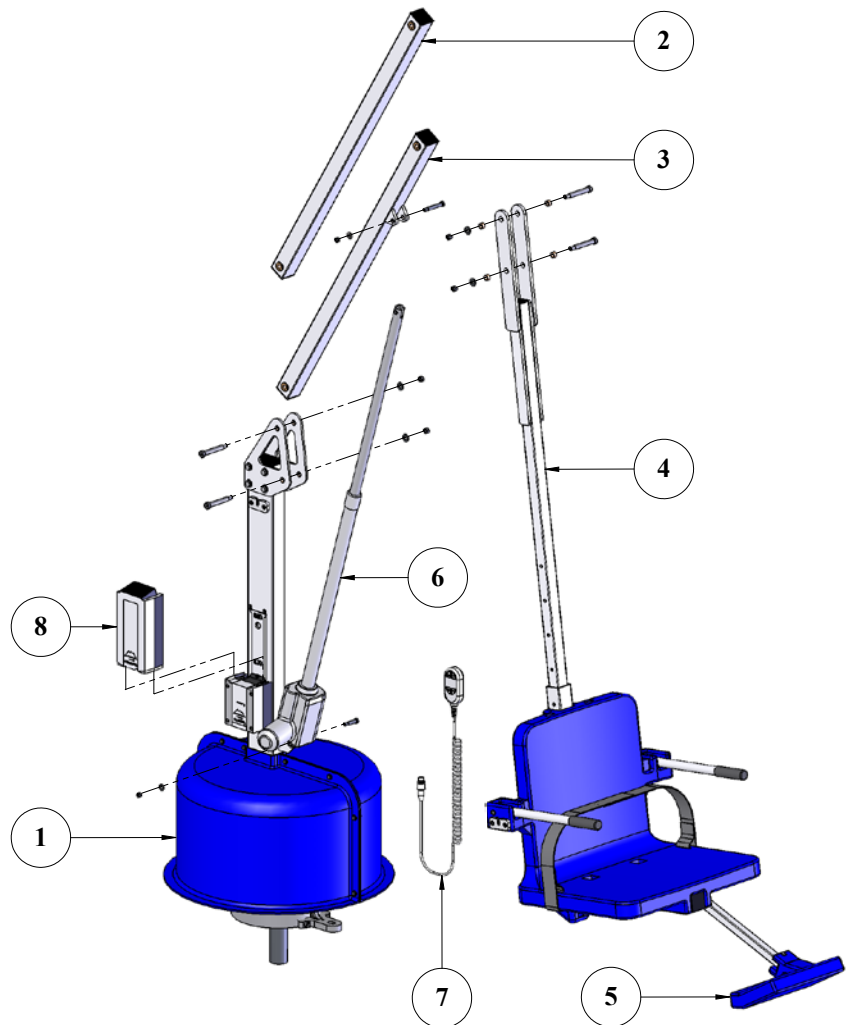
# AquaTram 360 Lift

## Table of Contents

PAGE	DESCRIPTION	PAGE	DESCRIPTION
3	AquaTram 360 Components	10	Troubleshooting Guide
4	ADA Installation Guidelines	11	Proper Care of Pool & Spa Lifts
5	Anchor Installation: New Construction	12	AquaTram 360 Parts List
6	ADA Fixing Insert Installation	13	Chair & Footrest Parts List
7-9	AquaTram 360 Assembly Instructions	14	Warranty

## AquaTram 360 Components

1. AquaTram 360 Main Assembly
2. Control Arm
3. Lifting Arm
4. Seat Arm
5. Footrest
6. Actuator
7. Linak Handset
8. 24V Linak Battery



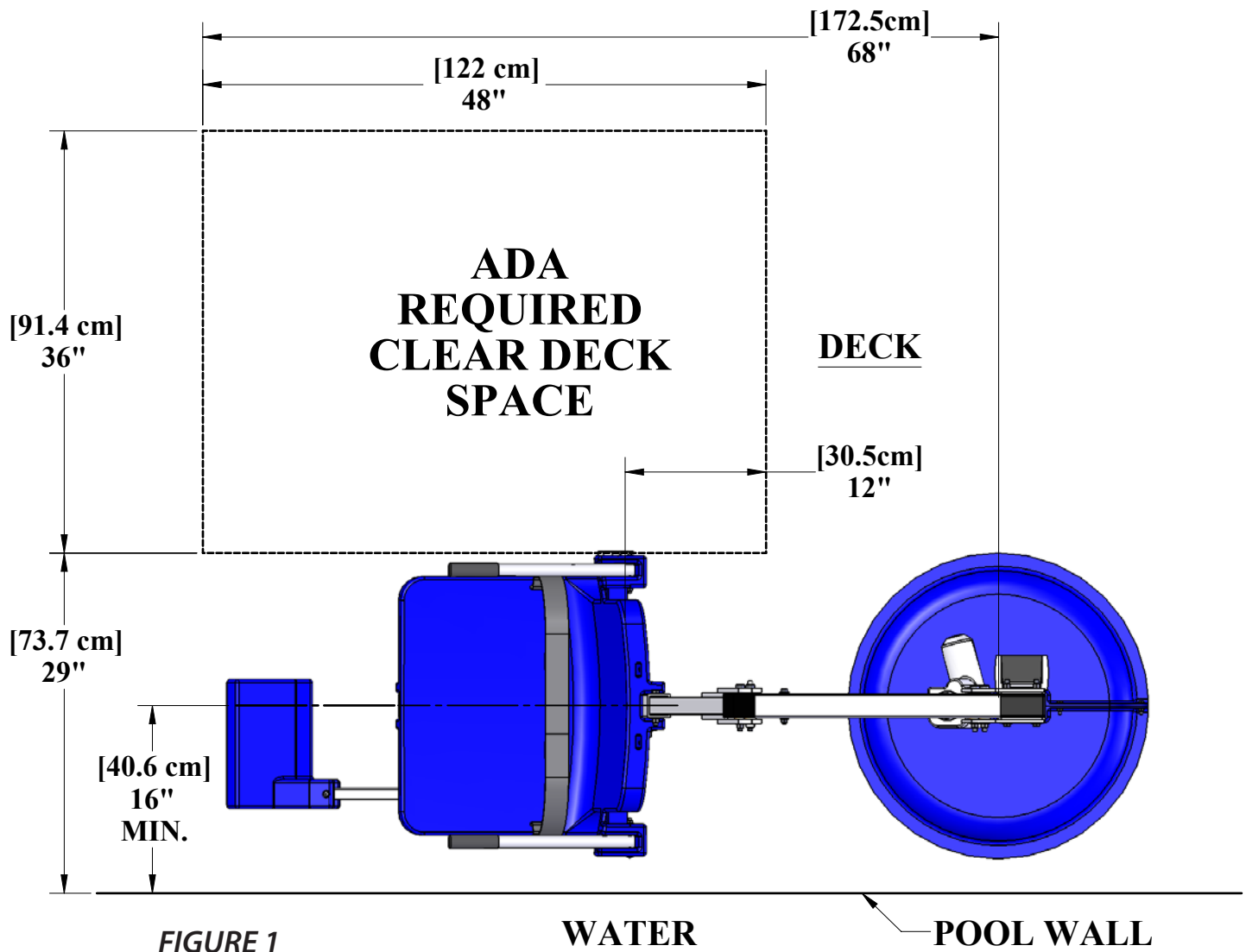
# Installation: ADA Guidelines

ADA Requirements:

The AquaTram 360 Lift is ADA Compliant.

The installation must meet the following requirements:

- Clear deck space dimensions (see FIGURE 1)
- Installed a minimum of 16 inches from the pool wall
- Deck slope no greater than 1:48
- The seat must submerge at least 18 inches into the water. The lift should be installed at a location with 42 inches - 48 inches of depth (deck to pool floor)
- Anchor setbacks are based on straight pool/spa walls. Curved pool/spa walls will effect the anchor setback.



# Anchor Installation: New Construction or Retro-Fit

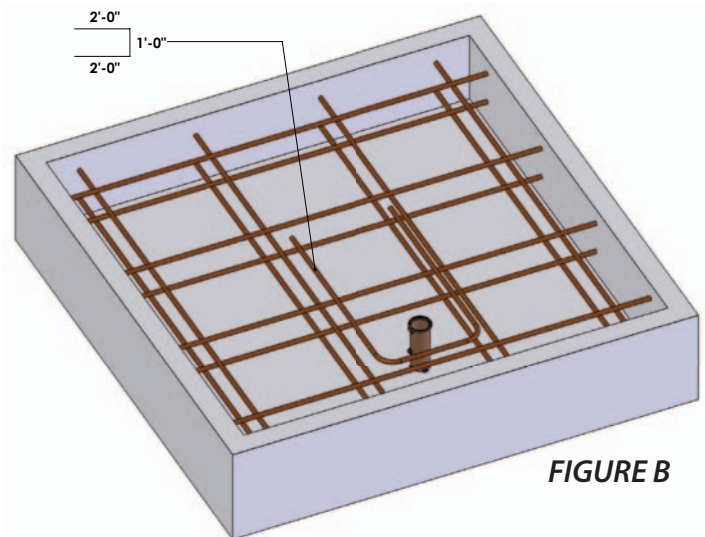
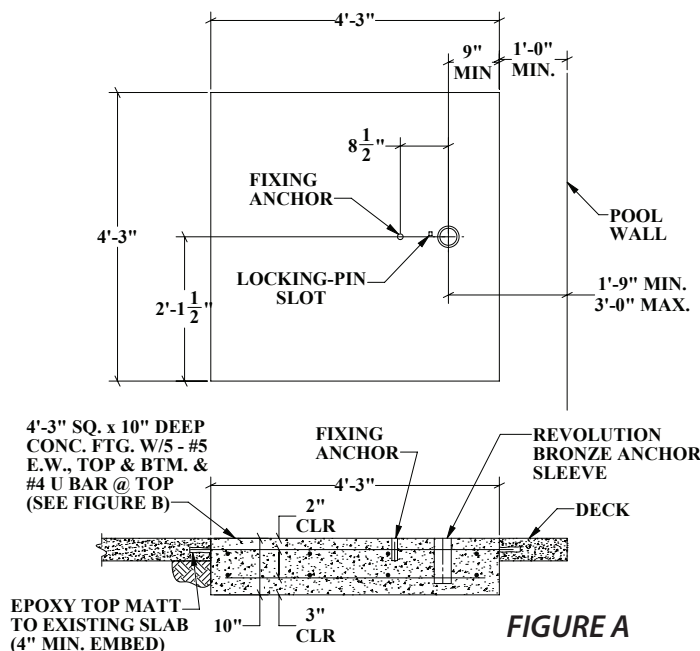
You may need to saw cut and remove a portion of an existing pool deck in order to achieve the 10 inch depth footing requirement. Aqua Creek does NOT recommend a core drill installation for this lift.

To properly install this anchor, you will need to have a concrete footing comprised of 2500 psi concrete that is 10 inches deep and 4 feet - 3 inches square and reinforced with rebar. Refer to Figures A and B below.

If cutting into an existing pool deck, the rebar must be drilled and secured to the surrounding pool deck on three sides (do not secure into bond beam). The centerline of the anchor should be no less than 9 inches from the edge of the footing.

NOTE: The anchor setback will vary depending on application and any options you choose for the lift. 16 inch setback is the minimum for ADA compliance however, given a typical 1 foot bond beam and the fact that the anchor should be no closer than 9 inches to the edge of your footing, 21 inches may be the closest you can achieve. The chart below outlines the minimum and maximum anchor setback locations for the available options based on this premise. Also, some attachments will de-rate the lifting capacity of the lift. Refer to the attachment manual or spec sheet to check for changes in lifting capacities.

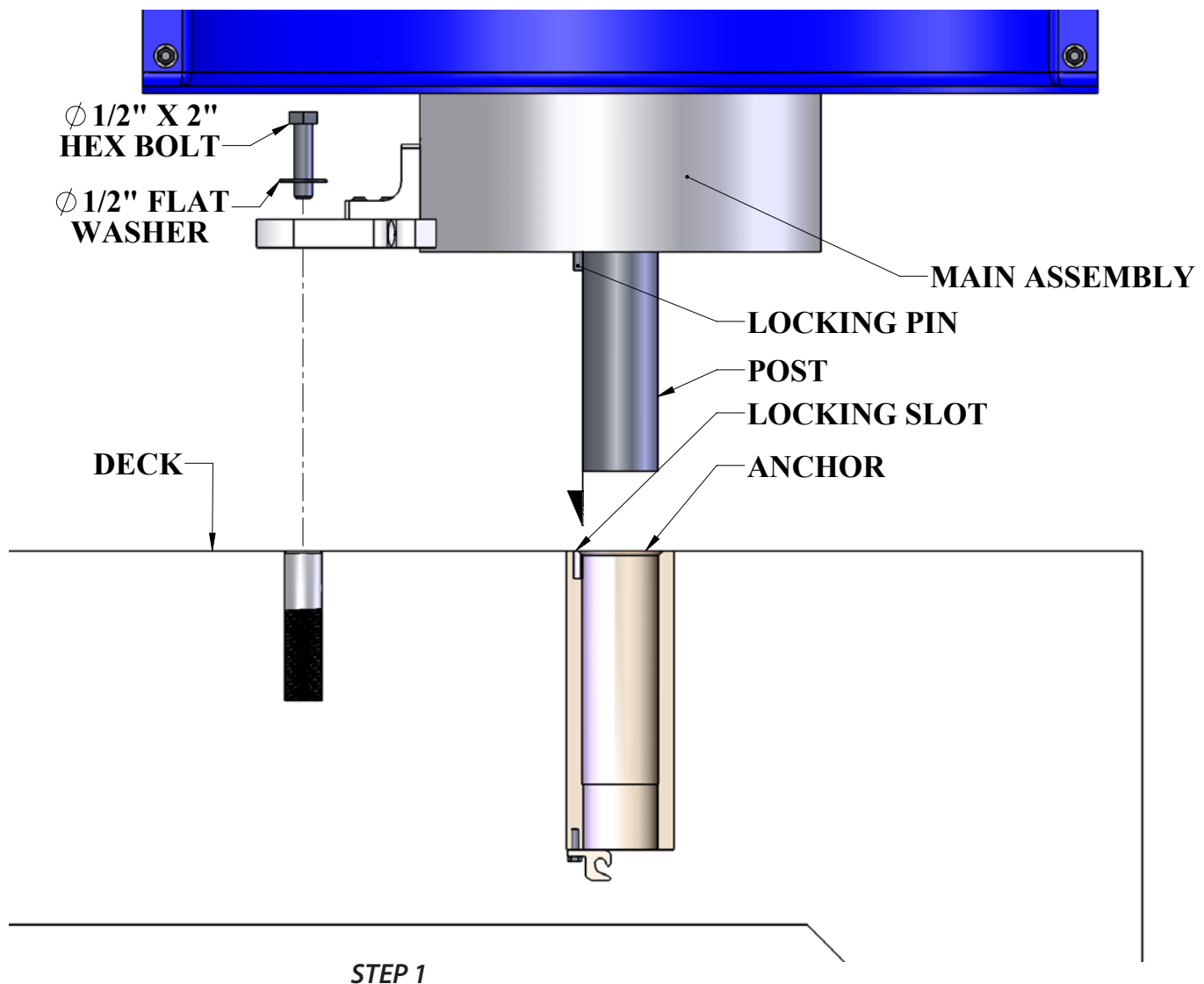
1. Determine the location for the anchor based on the options you are ordering or think you may order in the future and set the anchor in place. You may use a small mass of wet concrete to set the anchor in place. Use a level and string lines to make sure the anchor is perpendicular and will be flush with the top of the finished deck surface.
2. Bond the anchor according to local code requirements using the bonding lug on the bottom of the anchor. Reference the National Electric Code (NEC) Article 680.26 for specifics on bonding.
3. Pour the concrete so that the top of the anchor will be flush with the FINISHED pool deck surface.
4. Once the concrete has cured, the lift can be put into place.



ITEM NO.	OPTION	MIN	MAX
11258	GURNEY	21"	32"
11255	SLING SEAT	21"	24"
11260	SPINE BOARD	21"	34"
11259	WHEELCHAIR ADAPTER	21"	34"

# ADA Fixing Insert Installation (Commercial Applications)

1. Due to the indexed anchor and keyed base of the lift, we recommend installation of the fixing insert after the concrete has cured and you are ready to install the lift into the anchor.
2. Place the main assembly in the anchor and turn until the locking pin on the shaft of the lift lines up and drops into the locking pin slot in the anchor. **DO NOT LIFT THE MAIN ASSEMBLY BY USING THE ELECTRIC RAM AS A HANDLE.** If the transport cart was ordered with the lift, it can be used effectively here. If not, use two people.
3. Mark the location for the fixing anchor hole and remove the lift. (see pg 5, FIGURE A)
4. Drill the hole with a 1 1/4 inch core drill or roto-hammer to a depth of about 4 1/2 inches.
5. Clean the hole out and make sure it is dry. Thread the 1/2 inch bolt into the top of the PVC fixing anchor and test fit to verify it can be mounted perpendicular. See Step 1 below.
6. Using a two part construction epoxy, fill the hole approximately half full and carefully insert the PVC fixing anchor into the hole, twisting as you push down to evenly spread the epoxy.
7. Allow the epoxy to cure before securing the lift.
8. Re-install the lift into the anchor and using the 1/2 inch bolt and washer, carefully thread into the installed anchor until snug. **TO PREVENT BREAKING THE FIXING BRACKET, DO NOT OVERTIGHTEN!**



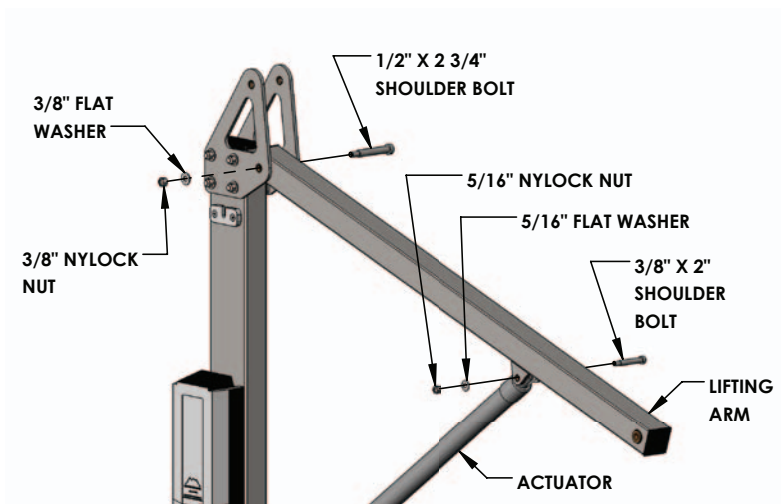
# AquaTram 360 Assembly Instructions

## STEP 2: INSTALL LIFTING ARM

Locate the LIFTING ARM and the following hardware:

- (1) 1/2" x 2-3/4" SHOULDER BOLT
- (1) 3/8" x 2" SHOULDER BOLT
- (1) 5/16" FLAT WASHER
- (1) 5/16" NYLOCK NUT
- (1) 3/8" FLAT WASHER
- (1) 3/8" NYLOCK NUT

Remove the shipping strap and all packing from the LINEAR ACTUATOR. Connect the LIFTING ARM between the MAST and the LINEAR ACTUATOR as shown in the figure below. Make sure the end marked "B" attaches to the mast. Tighten NYLOCK NUTS (2) until snug as shown in PHOTO 2. DO NOT OVERTIGHTEN!



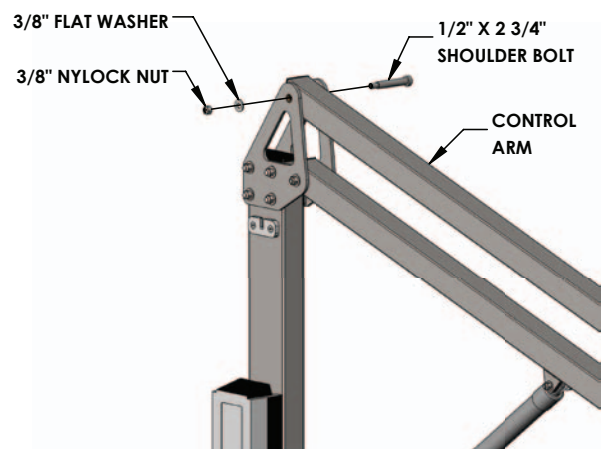
STEP 2

## STEP 3: INSTALL CONTROL ARM

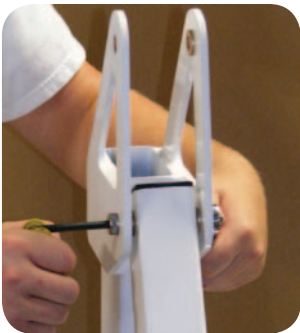
Locate the CONTROL ARM and the following hardware:

- (1) 1/2" x 2-3/4" SHOULDER BOLT
- (1) 3/8" FLAT WASHER
- (1) 3/8" NYLOCK NUT

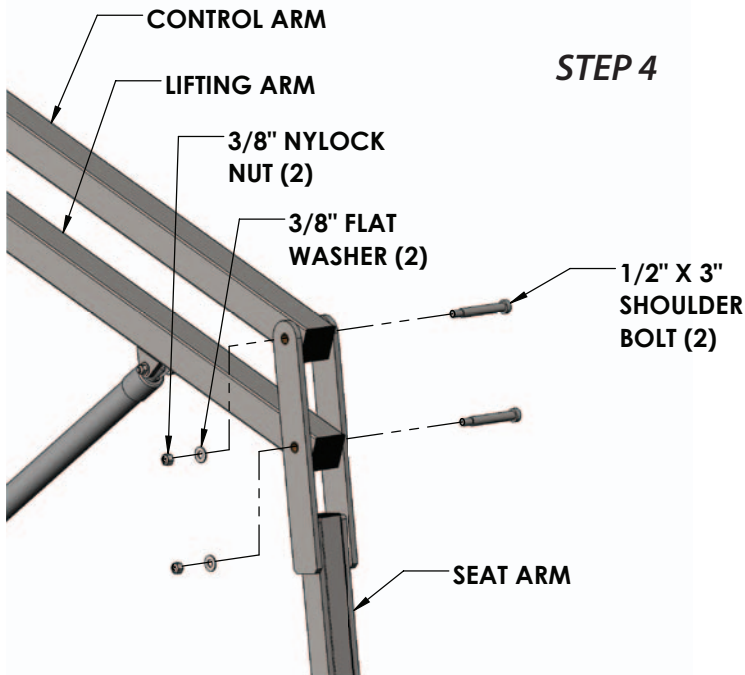
Install the CONTROL ARM (end marked "A") onto the MAST as shown in the figure below. Tighten the NYLOCK NUT until snug as shown in PHOTO 3. DO NOT OVERTIGHTEN!



STEP 3



# AquaTram 360 Assembly Instructions



## STEP 4: INSTALL SEAT ARM

Locate the SEAT ARM and the following hardware:

- (2) 1/2" x 3" SHOULDER BOLT
- (2) 3/8" FLAT WASHER
- (2) 3/8" NYLOCK NUT

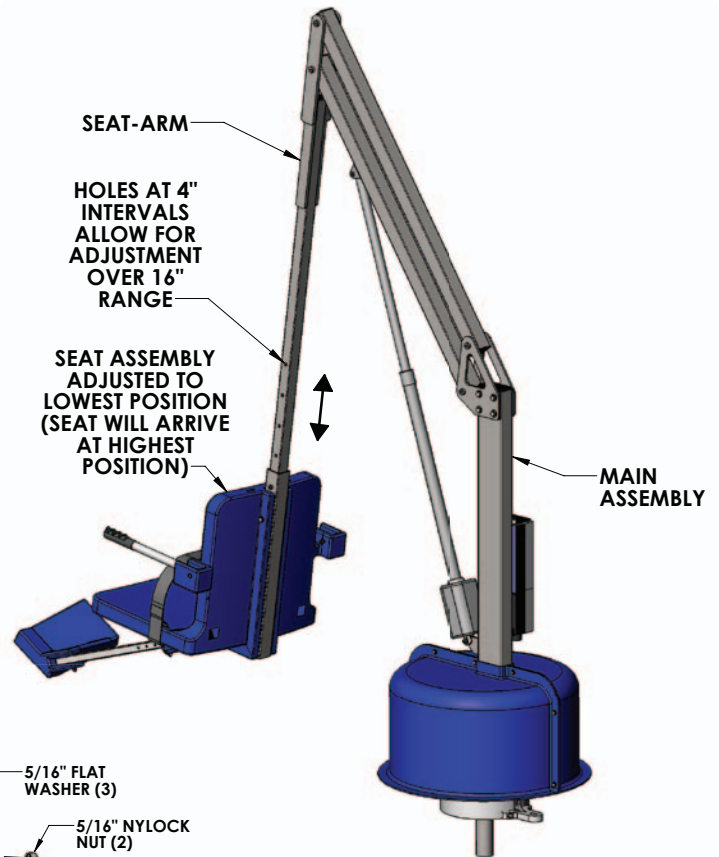
Install the SEAT ARM at the ends of the CONTROL ARM and LIFTING ARM as shown in the figure to the left. Tighten the NYLOCK NUTS until snug as shown in PHOTO 4. **DO NOT OVERTIGHTEN!** (NOTE: MAKE SURE THE SEAT IS FACING AWAY FROM THE MAIN ASSEMBLY)

NOTE: FOR APPLICATIONS THAT UTILIZE MULTIPLE SEAT ARMS (SUCH AS FOR A SLING SEAT OR THE SPA SEAT-ARM) USE THIS STEP TO REMOVE AND REPLACE THE SEAT ARM.

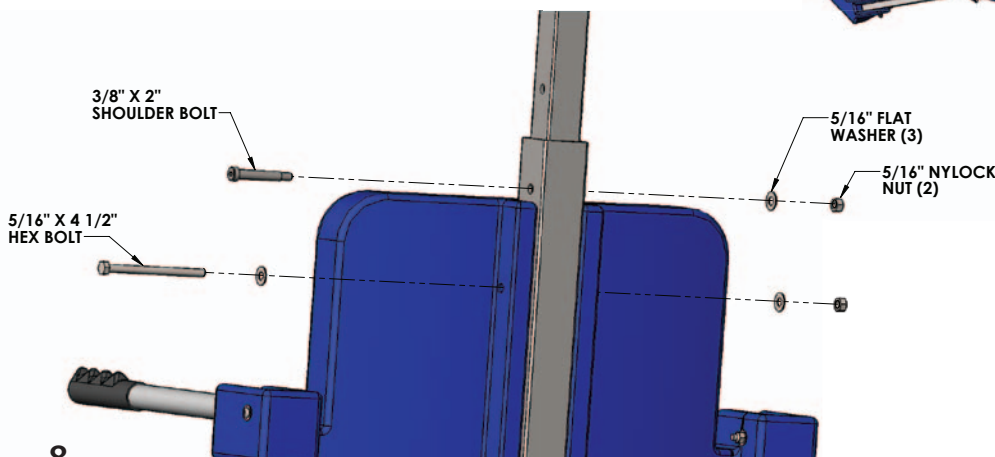
## STEP 5: ADJUST THE SEAT POSITION

The SEAT ASSEMBLY will arrive attached to the SEAT ARM adjusted to its highest position. To adjust the SEAT ASSEMBLY to a lower position remove the hardware as shown below. Slide the SEAT ASSEMBLY to its desired position (in 4 inch increments) and reinstall the hardware. The maximum adjustment is 16 inch (down). **DO NOT ATTACH THE SEAT ASSEMBLY ANY LOWER THAN THIS – ALWAYS USE THE TWO (2) SUPPLIED BOLTS TO ATTACH THE SEAT ASSEMBLY TO THE CHAIR ARM!**

NOTE: For most applications, such as pools with a flat deck, the seat will be installed in its lowest position. For applications where a wall or curb must be cleared the seat should be installed in a higher position. In its highest position the seat will clear a 26 inch [660mm] high wall (with the optional pull-out legrest).



## STEP 5



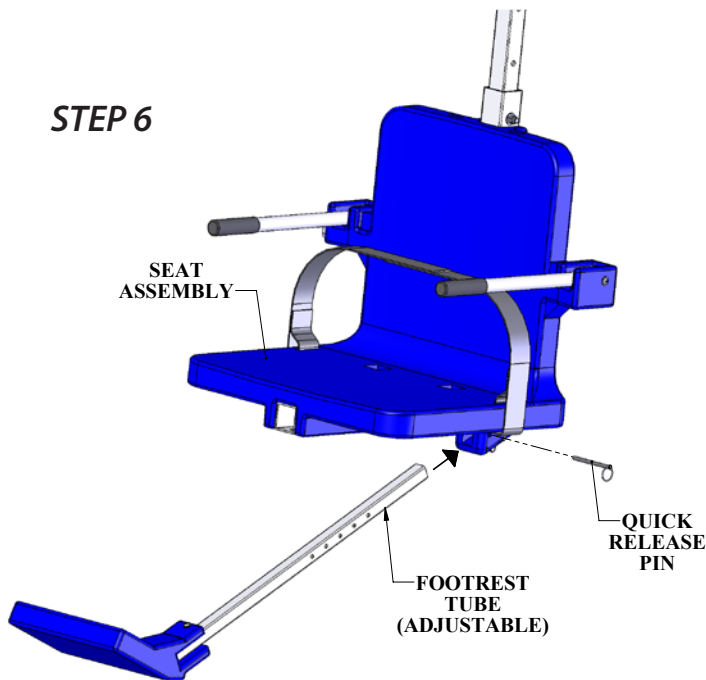
8



# AquaTram 360 Assembly Instructions

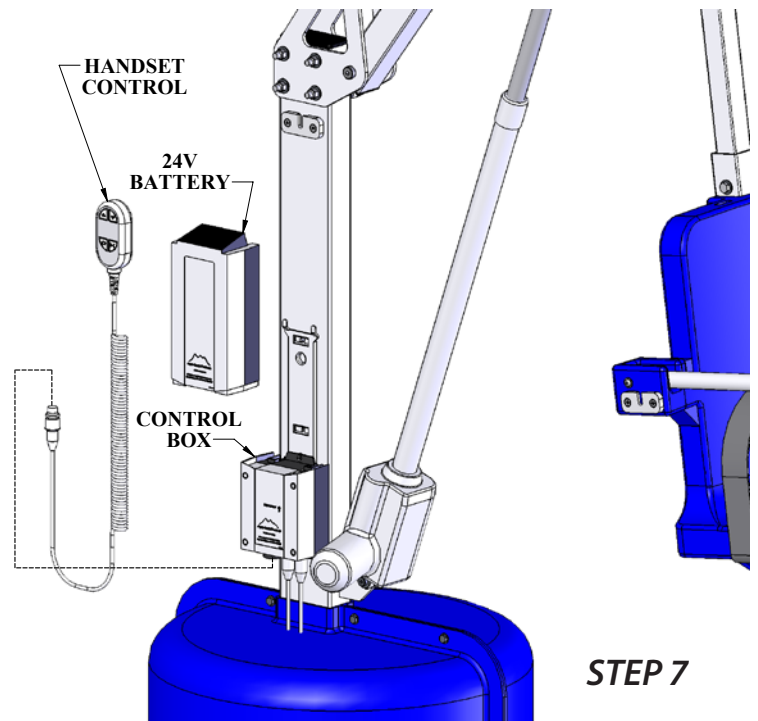
## STEP 6: INSTALL THE FOOTREST

Locate the FOOTREST ASSEMBLY and install it on the seat as shown below. The QUICK RELEASE PIN is attached to the SEAT ASSEMBLY with a lanyard (cable). Pull out the pin and slide the FOOTREST ASSEMBLY into the slot and line up one of the holes on the FOOTREST TUBE with the hole for the pin. Push the pin back into the hole and through the hole in the FOOTREST TUBE to hold the FOOTREST ASSEMBLY in the desired position. To re-adjust the FOOTREST simply pull out the pin and select a new hole on the FOOTREST TUBE.



## STEP 7: INSTALL 24V BATTERY & HANDSET

Locate the 24V battery, the battery charging unit and the handset control. Charge the battery for 24 hours then install it on the bracket above the control box as shown on PHOTO 7. Plug the handset control into the control box as shown in the figure and in the photos below. Press firmly to make sure the plug is fully seated as shown below. THE LIFT WILL NOT FUNCTION IF THE HANDSET PLUG IS NOT FULLY SEATED OR IF THE BATTERY IS NOT PROPERLY ALIGNED.



Not Seated



Seated



# Basic Troubleshooting

**Problem:** The lift won't move.

## Solution:

### 1. Make sure the battery is properly seated:

You should hear a click when the battery is properly seated on the control box or charger.



#### NOT Properly Attached:

Note: the white bracket is in front of the silver clip, which will not allow for an electrical connection



#### Properly Attached:

Note: the white bracket is behind the silver clip, holding it securely to allow for an electrical connection

### 2. Make sure the cords are properly plugged in:



#### NOT Properly Inserted:

The cord plug is flush with or sticking out of the outlet



#### Properly Inserted:

The cord plug is recessed into the outlet

Check the ends of the cords for corrosion or damage. The cord plugs should be recessed into the outlet. You should feel them pop into place when they are correctly inserted.

### 3. Check the contact points:



Make sure the contact points of the control box and the battery are not damaged or corroded. If there is corrosion clean with Scotch-Brite™ pad. Put some dielectric grease on the contact points before reattaching the battery.

### 4. Make sure the battery is fully charged:



The Charger is ON when the green light is glowing

The Battery is CHARGING when the orange light is glowing

When the Battery is charged the orange light will stop glowing

**Problem:** The lift stopped moving over the water and is stuck.

## Solution:

### 1. Press the emergency button

Use a pen or pencil tip and stick it into the emergency button on the front of the control box to retract the lift.

Note: the lift will not retract if the battery is not fully charged or if the control box is not working. The emergency button only overrides the remote handset.



# Proper Care of Pool & Spa Lifts

PROCEDURE	DAILY	WEEKLY	MONTHLY
Wash down lift with fresh water and dry with clean, soft, non-abrasive cloth.	✓		
Recharge battery.	✓		
Run the lift through a complete test cycle to verify it is functioning properly.	✓		
Visually inspect lift for damage, corrosion, and loose or missing hardware.	✓		
Check all contact points for damage and/or corrosion.		✓	
Repair, clean, and apply dielectric grease to all contact points.		✓	
Thoroughly clean lift frame and apply a liberal coat of car wax to maintain the lift's finish.			✓
Check all Warning and Cautionary labels to make sure they are not faded or worn. Replace as needed.			✓

## PROPER CARE NOTES

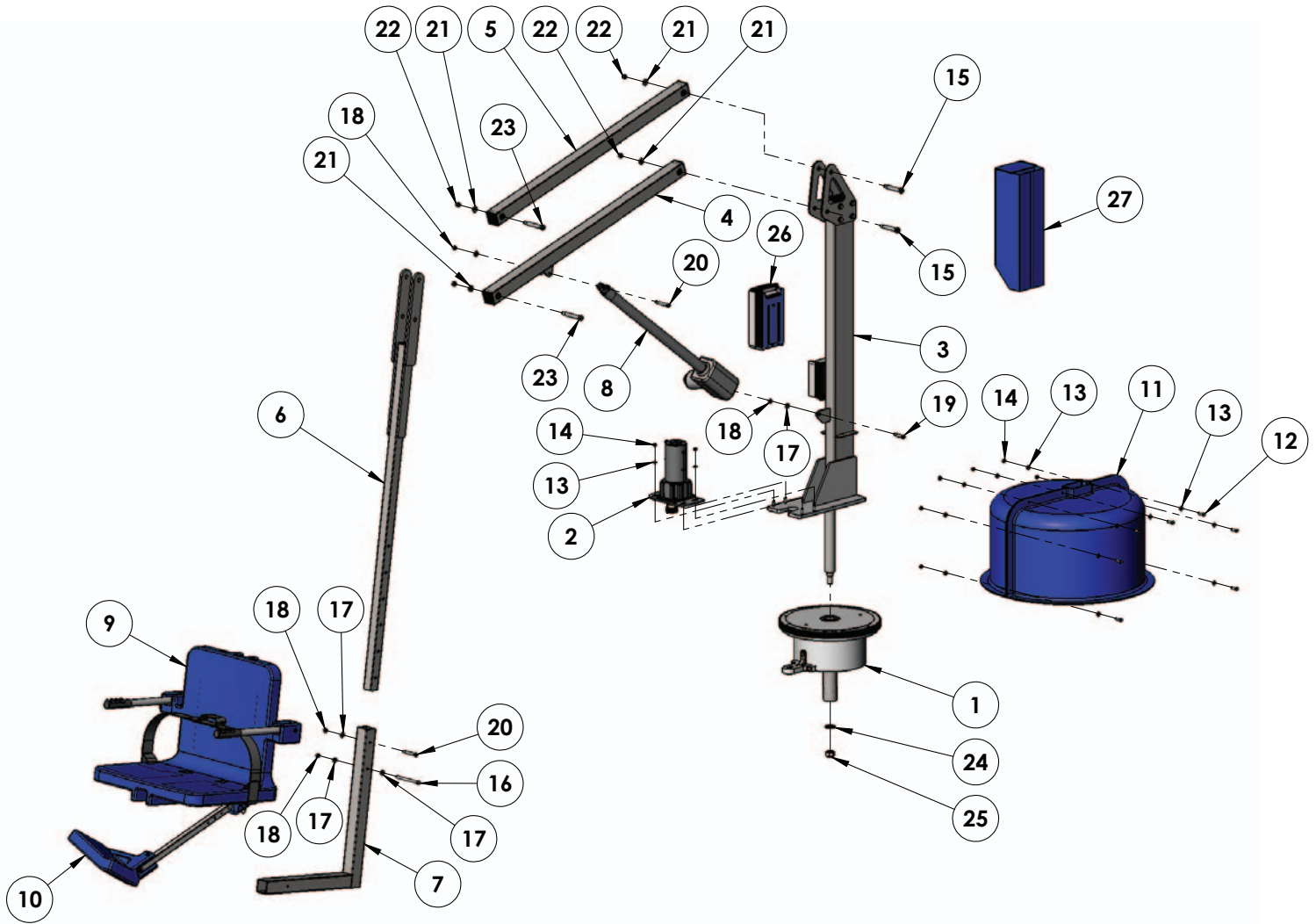
- ***Use only fresh water to wash your lift. Do not wash with pool water.***
- Use only clean, soft, non-abrasive cloths to wipe down your lift.
- Do not store lift in pump room or near chemicals.
- Do not allow children to play on or around this lift.
- When cleaning the lift, do not spray water directly on control box or battery.
- The lift may need to be bonded according to local code requirements.

## STAIN REMOVAL TIPS:

*To remove stubborn stains from finish, spray affected area with mild dish soap, rub briskly with a 3M Scotch Brite™ pad. Use white epoxy paint to touch up the finish. Apply wax to protect when dry.*

For service and/or replacement parts contact Aqua Creek direct at  
Toll free: (888) 687-3552

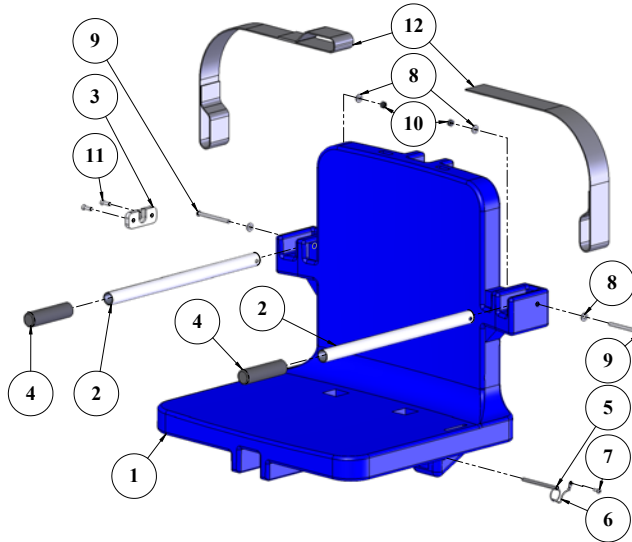
# AquaTram 360 Parts List



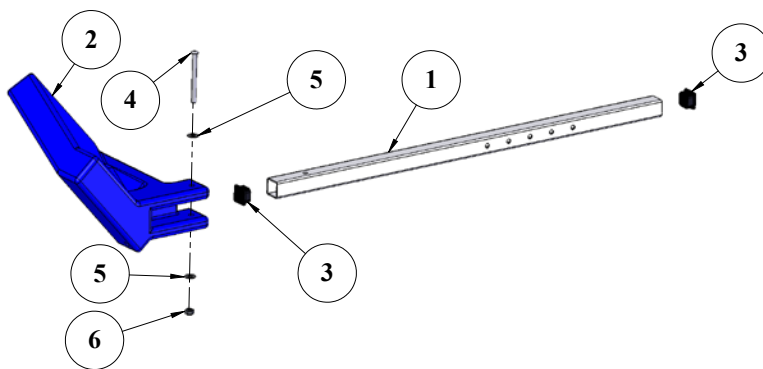
ITEM #	QTY	PART #	DESCRIPTION
1	1	REV-200-95	BASE ASSEMBLY
2	1	REV-300-40	ROTATE MOTOR ASSEMBLY
3	1	REV-400-70	MAST ASSEMBLY
4	1	REV-500-10	LIFTING ARM ASSEMBLY
5	1	REV-600-10	CONTROL ARM ASSEMBLY
6	1	REV-700-30	CHAIR ARM ASSEMBLY
7	1	REV-800-20	CHAIR CRADLE ASSEMBLY
8	1	340643-00	LINAK, 600MM ACTUATOR
9	1	SA-0904WDCAB	22" WIDE SEAT ASSEMBLY
10	1	F-0904FRA	FOOTREST ASSEMBLY
11	1	P-931	BLUE PLASTIC SHROUD
12	7	BH 1/4 X 1	BOLT, 316 SS, 1/4-20 X 1 HCS
13	18	WF 1/4	WASHER, FLAT, 1/4, 316 SS
14	11	NN 1/4	NUT, 316 SS, NYLOCK, 1/4-20
15	2	BS 1/2 X 2 3/4 18-8	BOLT, 18-8 SS, 1/2 X 2 3/4 SHOULDER, 3/8-16 THREAD

ITEM #	QTY	PART #	DESCRIPTION
16	1	BH 5/16 X 4 1/2	BOLT, 316 SS, 5/16-18 X 4 1/2 HCS
17	5	WF 5/16	WASHER, FLAT, 5/16, 316 SS
18	4	NN 5/16	NUT, 316 SS, NYLOCK, 5/16-18
19	1	BS 3/8 X 1 1/4 18-8	BOLT, 18-8 SS, 3/8 X 1 1/4 SHOULDER, 5/16-18 THREAD
20	2	BS 3/8 X 2 18-8	BOLT, 18-8 SS, 3/8 X 2 SHOULDER, 5/16-18 THREAD
21	4	WF 3/8	WASHER, FLAT, 3/8, 316 SS
22	4	NN 3/8	NUT, 316 SS, NYLOCK, 3/8-16
23	2	BS 1/2 X 3 18-8	BOLT, 18-8 SS, 1/2 X 3 SHOULDER, 3/8-16 THREAD
24	1	WFC 3/4	WASHER, FLAT, 3/4, 304 SS, CUSTOM
25	1	NN 3/4	NUT, 316 SS, NYLOCK, 3/4-10
26	1	BAJ1-U022-00	24 VOLT LINAK BATTERY
27	1	F-BCC-11	BATTERY/CONTROL BOX COVER

# Chair & Footrest Parts List



ITEM #	QTY	PART #	DESCRIPTION
1	1	P-905B	CHAIR, PLASTIC, 22", BLUE
2	2	P-2100FLA-38	CHAIR II ARMREST TUBE
3	1	P-1208HSB	BRACKET, PLASTIC, HANDSET BRACKET
4	2	RUBBER HAND GRIPS	GRIP, RUBBER HAND GRIP
5	1	COTTER PIN, 1/4 X 3 1/4	PIN, COTTERLESS PIN, 18-8 SS, 1/4 X 3 3/4
6	4	LANYARD	LANYARD, FOR FOOTREST PIN, SS
7	1	SPH 10 X 3/4	SCREW, 316 SS, #10 X 3/4", PHSMS
8	4	WF 1/4	WASHER, FLAT, 1/4, 316 SS
9	2	BB 1/4 X 3-1/4	BOLT, 316 SS, 1/4-20 X 3 1/4 BHSCS
10	2	NN 1/4	NUT, 316 SS, NYLOCK, 1/4"-20
11	2	SFL 12 X 3/4	SCREW, 316 SS, #12 X 3/4 FHSMS
12	1	F-38SB	SEAT BELT, 2" BLACK W/VELCRO



ITEM #	QTY	PART #	DESCRIPTION
1	1	P-2035LEG REV B	LEG/FOOTREST TUBE
2	1	P-910PL	FOOTREST, PLASTIC, BLUE
3	2	SQR-1-14-20	CAP, PLASTIC, 1"X1" SQUARE
4	1	BB 1/4 X 3	BOLT, 316 SS, 1/4-20 X 3 BHSCS
5	2	WF 1/4	WASHER, FLAT, 1/4, 316 SS
6	1	NN 1/4	NUT, 316 SS, NYLOCK, 1/4"-20



## AquaTram® 360 Swimming Pool Lift FIVE (5) YEAR LIMITED WARRANTY

A Division of Pentair Water Pool and Spa, Inc.

AquaTRAM 360 Lift has a **Limited FIVE-YEAR Warranty** on the frames, not including the powder coat finish.

Pentair Water Pool and Spa, Inc. ("Pentair") also warrants to the original end user purchaser that the AquaTRAM 360 Lift ("Lift"), when properly installed in accordance with assembly and installation instructions, and properly used and maintained, shall be free from defects in material and workmanship for a period of five (5) years from the date of original purchase, provided that Pentair receives prompt notice in writing of any claim and satisfactory proof thereof.

This warranty specifically excludes reimbursement for labor to remove, repair, replace or install the Lift or component part thereof and any return freight charges.

These warranties do not cover any damages due to accident, misuse, abuse, negligence or failure to properly maintain any Lift or component part thereof, or normal wear and tear from day to day operations. In the event that any Lift or component part thereof are altered, repaired, or improperly installed or improperly used by anyone without the prior written approval by Pentair, all warranties are void. **IMPORTANT: AMOUNT OF WEIGHT PLACED ON LIFT SHALL NOT EXCEED THE RATED LIFT CAPACITY OF 500 POUNDS (227 KG).**

To initiate a warranty claim, the owner of an AquaTRAM Lift must provide the place of purchase, in writing, with a full description of the Lift, its serial number, the dates of purchase and installation, and the exact nature of the claim. Within thirty (30) days after receipt of a written warranty claim by Pentair, and barring any unforeseen delays, the place of purchase will be notified of Pentair's decision regarding the claim.

If requested by Pentair, any Lift or component part thereof must be returned, freight prepaid, to Pentair's designated factory location or duly appointed distributor for inspection and/or repair or replacement. Pentair will, at its option, refund the purchase price, or repair or replace the Lift or component part thereof, and deliver the repaired Lift or component part thereof or replacement to the buyer of the Lift, freight prepaid to the destination provided for in the original order. Lift or component part thereof returned to Pentair for which Pentair provides replacement under this limited warranty shall become the property of Pentair.

A new warranty period shall NOT be established for the repaired or replaced Lift or component part thereof. Such Lift or component part thereof shall remain under warranty only for the remainder of the original warranty period on the original Lift purchased.

This written limited warranty constitutes the final, complete and exclusive statement of warranty terms. No person or organization is authorized to make any other specific or implied warranties or representations on behalf of Pentair.

THE WARRANTIES SET FORTH HEREIN ARE IN LIEU OF ALL OTHER WARRANTIES, EXPRESSED OR IMPLIED, WHICH ARE HEREBY DISCLAIMED AND EXCLUDED, INCLUDING WITHOUT LIMITATION ANY WARRANTY OF MERCHANTABILITY OR FITNESS FOR A PARTICULAR PURPOSE OR USE.

THE SOLE AND EXCLUSIVE REMEDIES FOR BREACH OF ANY AND ALL WARRANTIES WITH RESPECT TO THE LIFT OR COMPONENT PART THEREOF SHALL BE LIMITED TO REPAIR OR REPLACEMENT AT PENTAIR'S DESIGNATED FACTORY LOCATION, OR DULY APPOINTED DISTRIBUTOR, OR SUCH OTHER PLACE AT PENTAIR'S SOLE OPTION. IN NO EVENT SHALL PENTAIR'S LIABILITY EXCEED THE ENTIRE AMOUNT PAID TO PENTAIR BY THE ORIGINAL PURCHASER FOR THE LIFT OR COMPONENT PART THEREOF.

IN NO EVENT SHALL PENTAIR BE LIABLE FOR ANY INCIDENTAL, CONSEQUENTIAL, SPECIAL, INDIRECT, PUNITIVE OR EXEMPLARY DAMAGES OR LOST PROFITS FROM ANY BREACH OF THIS LIMITED WARRANTY OR OTHERWISE.

Pentair Commercial Aquatics™, A Division of Pentair Water Pool and Spa, Inc.

1620 Hawkins Ave., Sanford, NC 27330  
1351 Route 55, LaGrangeville, NY 12540  
Phone: (800) 831-7133  
Fax: (919) 566-8920  
[www.pentaircommercial.com](http://www.pentaircommercial.com)



1620 HAWKINS AVE., SANFORD, NC 27330 • (919) 566-8000  
10951 WEST LOS ANGELES AVE., MOORPARK, CA 93021 • (805) 553-5000

All Pentair trademarks and logos are owned by Pentair or one of its global affiliates. Pentair Commercial Aquatics™ and AquaTRAM® are trademarks and/or registered trademarks of Pentair Water Pool and Spa, Inc. and/or its affiliated companies in the United States and/ or other countries. Unless expressly noted, names and brands of third parties that may be used in this document are not used to indicate an affiliation or endorsement between the owners of these names and brands and Pentair Water Pool and Spa, Inc. Those names and brands may be the trademarks or registered trademarks of those third parties. Because we are continuously improving our products and services, Pentair reserves the right to change specifications without prior notice. Pentair is an equal opportunity employer.

© 2017 Pentair Water Pool and Spa, Inc. All rights reserved.

P/N 11250 REV G 5/5/17