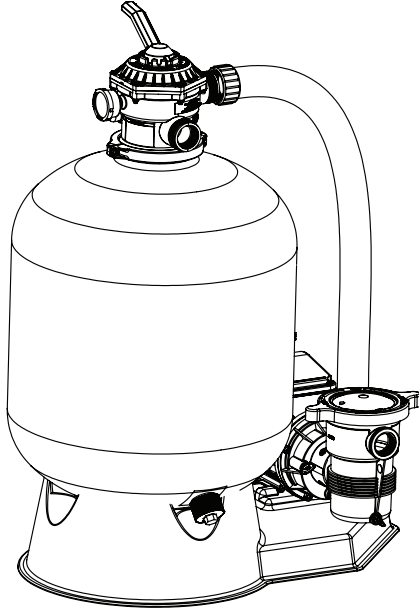




# PUMP AND SAND FILTER SYSTEM



## INSTALLATION AND USER'S GUIDE

IMPORTANT SAFETY INSTRUCTIONS  
READ AND FOLLOW ALL INSTRUCTIONS  
SAVE THESE INSTRUCTIONS

# Technical Support

**Sanford, North Carolina** (8 A.M. to 4:30 P.M. ET)

**Moorpark, California** (8 A.M. to 4:30 P.M. PT)

**Phone:** (800) 831-7133

**Fax** (800) 284-4151

Web sites: visit [www.pentair.com](http://www.pentair.com)

## Contents

<b>Warnings and Important Safety Precautions .....</b>	<b>i</b>
<b>Section 1: Pump and Sand Filter System Overview .....</b>	<b>1</b>
Valve Position and Water Flow Directions .....	2
<b>Section 2: Installation .....</b>	<b>3</b>
<b>Section 3: Operation and Maintenance .....</b>	<b>10</b>
Initial Start-Up .....	10
Maintenance .....	11
Cleaning .....	12
Filter Backwash Procedure .....	13
Chemical Cleaning .....	14
Replacement of Valve Top and Diverter Assembly .....	15
Winterizing the System .....	16
<b>Section 4: Troubleshooting .....</b>	<b>17</b>
<b>Section 5: Technical Data and Replacement Parts .....</b>	<b>17</b>

## WARNINGS AND IMPORTANT SAFETY PRECAUTIONS

**⚠ DANGER** SERIOUS BODILY INJURY OR DEATH CAN RESULT IF THIS PUMP AND SAND FILTER IS NOT INSTALLED AND USED CORRECTLY.

**⚠ DANGER** INSTALLERS, POOL OPERATORS AND POOL OWNERS MUST READ THESE WARNINGS AND ALL INSTRUCTIONS BEFORE USING THIS PUMP AND SAND FILTER.

**⚠ WARNING** This pump and sand filter system is intended for use in swimming pool applications.

**⚠ WARNING** Most states and local codes regulate the construction, installation, and operation of public pools and spas, and the construction of residential pools and spas. It is important to comply with these codes, many of which directly regulate the installation and use of this product. Consult your local building and health codes for more information.



**IMPORTANT NOTICE - Attention Installer:** This Installation and User's Guide ("Guide") contains important information about the installation, operation and safe use of this pump and sand filter. This Guide should be given to the owner and/or operator of this equipment.

**⚠ WARNING** Before installing this product, read and follow all warning notices and instructions in this Guide. Failure to follow warnings and instructions can result in severe injury, death, or property damage. Call (800) 831-7133 for additional free copies of these instructions. Please refer to [www.pentair.com](http://www.pentair.com) for more information related to these products.

**⚠ DANGER**



Water temperature in excess of 100° F (37.7° C) may be hazardous to your health. Prolonged immersion in hot water may induce hyperthermia.

Hyperthermia occurs when the internal temperature of the body reaches a level several degrees above normal body temperature of 98.6° F (37° C.).

Effects of hyperthermia include: (1) Unawareness of impending danger. (2) Failure to perceive heat. (3) Failure to recognize the need to leave the spa. (4) Physical inability to exit the spa. (5) Fetal damage in pregnant women. (6) Unconsciousness resulting in danger of drowning. The use of alcohol, drugs, or medication can greatly increase the risk of fatal hyperthermia in hot tubs and spas.

Maximum working water temperature for this filter is 95° F (35°C).

**⚠ WARNING** To reduce the risk of injury, do not permit children to use or operate this pump and sand filter.

**⚠ WARNING** When setting up pool water turnovers or flow rates the operator must consider local codes governing turnover as well as disinfectant feed ratios.

**⚠ WARNING** DO NOT increase pump size; this may increase the flow rate through the system and exceed the maximum flow rate stated on the drain cover.

**⚠ WARNING** If this pump and sand filter is intended for use in other than single-family dwellings, a clearly labeled emergency switch shall be provided as part of the installation. The switch shall be readily accessible to the occupants and shall be installed at least 5 feet (1.52 m) away, adjacent to, and within sight of, this pump and sand filter system.

## WARNINGS AND IMPORTANT SAFETY PRECAUTIONS

### ⚠ DANGER



High Pressure from the sand filter can cause severe injury or major property damage due to tank separation.

Release all pressure and read instructions before working on the sand filter. If the filter clamp is adjusted under pressure, the tank can separate, causing serious injury or major property damage.

### ⚠ WARNING

**BEFORE WORKING ON FILTER!**

- (1) Stop pump.
- (2) Open air release valve.
- (3) Release all pressure from system.

### RISK OF ELECTRICAL SHOCK OR ELECTROCUTION:

### ⚠ DANGER



**PUMPS REQUIRE HIGH VOLTAGE WHICH CAN SHOCK, BURN, OR CAUSE DEATH.**

**BEFORE WORKING ON PUMP!**

Always disconnect power to the pool pump at the circuit breaker before servicing the pump. Failure to do so could result in death or serious injury to service person, pool users or others due to electric shock.

### ⚠ WARNING

A pool or spa pump must be installed by a qualified pool and spa service professional in accordance with the National Electrical Code and all applicable local codes and ordinances. Improper installation may create an electrical hazard which could result in death or serious injury to pool users, installers, or others due to electrical shock, and may also cause damage to property.

### ⚠ WARNING

Pumps improperly sized or installed or used in applications other than for which the pump was intended can result in serious personal injury or death. These risks may include but not be limited to electric shock, fire, flooding, suction entrapment or serious injury or property damage caused by a structural failure of the pump or other system component.

### ⚠ WARNING

**Never exceed the maximum stated pump flow rating.**

Only use a pumping system rated for the corresponding flow. FAILURE TO DO SO CAN RESULT IN HAIR OR BODY ENTRAPMENT WHICH CAN CAUSE SERIOUS PERSONAL INJURY OR DEATH. If in doubt about the rating of your system, consult a qualified pool service professional.

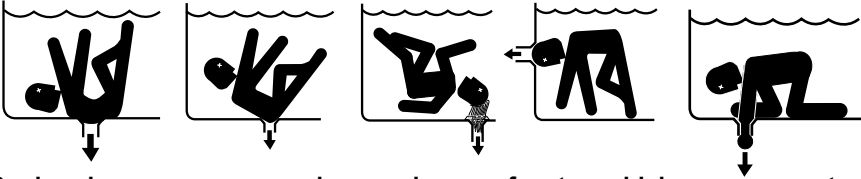
### ⚠ WARNING

Pumps are not a substitute for properly installed and secured pool drain covers. An ANSI/ASME A112.19.8 approved anti-entrapment drain cover must be used for each drain. Pools and spas should utilize a minimum of two drains per pump. Regularly inspect all covers for cracks, damage and advanced weathering. If a cover becomes loose, cracked, damaged, broken or is missing, close the pool or spa immediately, shut off the pump, post a notice and keep the pool or spa closed until an appropriate VGB 2008 certified cover is properly installed. Covers deteriorate over time due to exposure to sunlight and pool chemicals. This cover must be replaced within seven (7) years from installation (or earlier if the cover becomes damaged in any way).



## WARNINGS AND IMPORTANT SAFETY PRECAUTIONS

### **⚠ DANGER** SUCTION ENTRAPMENT HAZARD



Pool and spa pumps move large volumes of water, which can pose extreme danger if a person's hair comes in close proximity to a drain that is not the proper size for the pump or pumps.

**Hair Entanglement** – When the hair tangles or knots in the drain cover, trapping the swimmer underwater. This hazard is present when the flow rating of the cover is too small for the pump or pumps.

**Limb Entrapment** – When a limb is sucked or inserted into an opening resulting in a mechanical bind or swelling. This hazard is present when a drain cover is missing, broken, loose, cracked or not properly secured.

**Body Entrapment** – When a portion of the body is held against the drain cover trapping the swimmer underwater. This hazard is present when the drain cover is missing, broken or the cover flow rating is not high enough for the pump or pumps.

**Evisceration/Disembowelment** – When a person sits on an open pool (particularly a child wading pool) or spa outlet and suction is applied directly to the intestines, causing severe intestinal damage. This hazard is present when the drain cover is missing, loose, cracked, or not properly secured.

**Mechanical Entrapment** – When jewelry, swimsuit, hair decorations, finger, toe or knuckle is caught in an opening of an outlet or drain cover. This hazard is present when the drain cover is missing, broken, loose, cracked, or not properly secured.

## WARNINGS AND IMPORTANT SAFETY PRECAUTIONS

**The Virginia Graeme Baker Pool and Spa Safety Act** imposes certain new requirements on owners and operators of swimming pools and spas. Pools or spas constructed on or after December 20, 2008, shall utilize:

- (A) No submerged suction outlets, a gravity drainage system with ASME/ANSI cover(s), one or more unblockable outlets; or
- (B) A multiple main drain system without isolation capability with suction outlet covers that meet ASME/ANSI A112.19.8 Suction Fittings for Use in Swimming Pools, Wading Pools, Spas, and Hot Tubs and either:
  - (i) A safety vacuum release system (SVRS) meeting ASME/ANSI A112.19.17 Manufactured Safety Vacuum Release Systems (SVRS) for Residential and Commercial Swimming Pool, Spa, Hot Tub, and Wading Pool Suction Systems and/or ASTM F2387 Standard Specification for Manufactured Safety Vacuum Release Systems (SVRS) for Swimming Pools, Spas and Hot Tubs or
  - (ii) A properly designed and tested suction-limiting vent system or
  - (iii) An automatic pump shut-off system.

Pools and spas constructed prior to December 20, 2008, with a single submerged suction outlet shall use a suction outlet cover that meets ASME/ANSI A112.19.8 and either:

- (A) A multiple main drain system without isolation capability, or
- (B) A safety vacuum release system (SVRS) meeting ASME/ANSI A112.19.17 and/or ASTM F2387, or
- (C) A properly designed and tested suction-limiting vent system, or
- (D) An automatic pump shut-off system, or
- (E) Disabled submerged outlets, or
- (F) Suction outlets shall be reconfigured into return inlets.

**For information about the Virginia Graeme Baker Pool and Spa Safety Act, contact the Consumer Product Safety Commission at (301) 504-7908 or visit [www.cpsc.gov](http://www.cpsc.gov).**

**NOTE: Always turn off all power to the pool pump before installing the cover or working on any suction outlet.**

### **Two Speed Pump Controls Notice (Title 20 Compliance)**

Please read the following important Safety Instructions. When using two-speed pumps manufactured on or after January 1, 2008, the pump's default circulation speed **MUST** be set to the **LOWEST SPEED**, with a high speed override capability being for a temporary period not to exceed one normal cycle, or two hours, whichever is less.

## Section 1

### Pump and Sand Filter System Overview

This system operates under pressure and if assembled improperly or operated with air in the water circulation system it can separate and result in an accident causing serious bodily injury. A warning label has been affixed to the filter and should not be removed. Keep safety labels in good condition and replace if missing or illegible. (For free labels call, (919)-774-4151). Pumps and filters should never be tested or subjected to air or gas under pressure. All gases are compressible and under pressure create a danger. Serious bodily injury or property damage could occur if the pump or filter is subjected to air or gas pressure.

The system consists primarily of a centrifugal pump, a high rate sand filter with control valve, a connecting hose and a mounting base. Your centrifugal pump is driven by an electric motor. The motor is directly attached to the pump impeller. As the electric motor turns it causes the impeller to turn and this causes the water to flow. The water flows into the hair and lint pot inlet and through the basket assembly to prestrain large particles. The flow then enters the center of the pump housing. The flow goes through the impeller into the stationary diffuser, out the pump discharge port, through the connecting hose and into the filter control valve. Dirt is collected in the filter as the water flows through the control valve at the top of the filter and is directed downward onto the top surface of the filter sand bed. The dirt is collected in the sand bed and the clean water flows through the lower piping at the bottom of the filter up through the center pipe into the control valve at the top of the filter. Clean water then returns through the piping system to the pool. The pressure will rise and the flow to the pool will be lowered as the dirt is collected in the filter. Eventually, the filter will become so plugged with dirt that it will be necessary to perform the backwash procedure. It is important to know when to backwash the filter. For backwashing information, see page 12 and 13. The six (6) operating position and one (1) “Winterize” position valve is designed to provide all the necessary positions required to operate, maintain, troubleshoot and service your sand filter.



**Air entering the filter and a valve clamp not closed properly can cause the valve to separate and could cause serious bodily injury and/or property damage.**



**To prevent equipment damage and possible injury, always turn pump off before changing valve position.**

**⚠ WARNING**

This filter operates under high pressure. When any part of the circulating system (e.g., clamp, pump, filter, valves, etc.) is serviced, air can enter the system and become pressurized. Pressurized air can cause the lid or control valve to separate which may result in serious injury, death, or property damage. To avoid this potential hazard, follow these instructions.

1. Before repositioning valves and before beginning the assembly, disassembly, or adjustment of the clamp or any other service of the circulating system:
  - (a) Turn the pump off and shut off any automatic controls to ensure the system is not inadvertently started during the servicing;
  - (b) Open manual air relief valve;
  - (c) Wait until all pressure is relieved, pressure gauge must read zero (0).
2. Whenever installing the filter clamp, follow the filter valve and clamp installation instructions exactly.
3. Once service on the circulating system is complete, follow system restart instructions exactly.
4. Maintain circulation system properly. Replace worn or damaged parts immediately (e.g., clamp, pressure gauge, relief valve, o-rings, etc.).
5. Be sure that the filter is properly mounted and positioned according to instructions provided.

## Valve Position and Water Flow Directions

**FILTER:** From pump, through valve, downward through filter sand bed, up through center pipe to valve return port, and back to the pool for normal filter action and vacuuming pool through filter.

**BACKWASH:** From pump, through valve, down through center pipe, up through filter sand to valve, and out wasteport. This position is used for cleaning filter by reversing flow.

**RINSE:** From pump, through valve, downward through filter sand, up through center pipe to valve and out waste port. This position is used for start up cleaning and resettling filter bed after backwashing.

**WASTE:** From pump, through valve, bypasses filter and goes to wasteport. This position is for vacuuming directly to waste, lowering pool level, or draining pool.


**CLOSED: NO FLOW IN THIS POSITION - DO NOT USE THIS SETTING WITH PUMP OPERATING.**

**RECIRCULATING:** From pump, through valve, bypass filter and goes to return port and back to pool. This position is for circulating water without going through filter.

**WINTERIZING:** Valve position for a winterized sand filter, see page 16.

Please note that a sand filter removes suspended matter and does not sanitize the pool. The pool water must be sanitized and the water must be balanced for sparkling clear water. Pool chemistry is a specialized area and you should consult your local pool service specialist for specific details. In general proper pool sanitation requires a free chlorine level of 1 to 2 PPM and a pH range of 7.2 to 7.6.

Your filtration system should be designed to meet your local health codes. As a minimum, you must be sure that your system will turnover the total volume of water in your pool at least twice in a twenty-four (24) hour period.

 <b>WARNING</b>	Failure to operate your filter system or inadequate filtration can cause poor water clarity obstructing visibility in your pool and can allow diving into or on top of obscured objects, which can cause serious personal injury or drowning.
--	---

## Section 2

### Installation

---


1. **Read and understand all instructions before attempting to install, operate, or maintain your pump and sand filter system.**
2. Provide space and lighting for routine maintenance access. Locate the system close to the pool. See Figure 1 for typical installation.

**Note:** Install electrical controls (e.g., on/off switches, timers, control systems, etc.) at least five (5) feet from the filter. This will allow you enough room to stand clear of the filter during system start up.

Systems that are unassembled should be assembled at this point. See special instructions A through G.

- A. Make sure all electrical breakers and switches to the pump are switched off, and disconnect the communication cable from the pump before installing the base.
- B. Remove all individual components from carton and inspect for any visible damage. If carton or parts are damaged contact seller or freight company.
- C. Place the system support base on the ground close to the final location of the unit. See Figure 1 on the next page.

**⚠ DANGER** This filter operates under pressure. With the valve clamped properly and operated without air in the system, this filter will operate in a safe manner. Air entering the filter and the valve not clamped correctly can cause the valve to separate, which could cause serious personal injury and/or property damage.



**⚠ WARNING** Always turn pump off before changing valve positions. Changing valve positions while the pump is running can damage the control valve, which may cause serious injury or property damage.

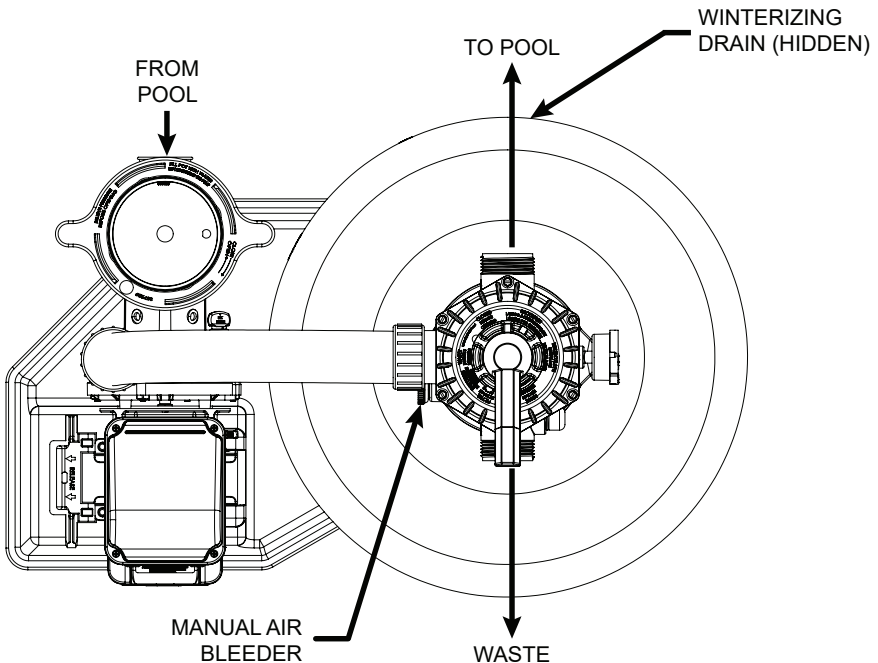


Figure 1.

- D. Examine the bottom of the filter and confirm the orientation of the small mounting protrusions on the tank.
- E. Align the protrusions on the tank with the corresponding recesses in the filter support portion of the base and place the filter on the base.

F. The pump may now be attached to the pump support side of the base. The pump should be oriented as indicated in Figure 2.

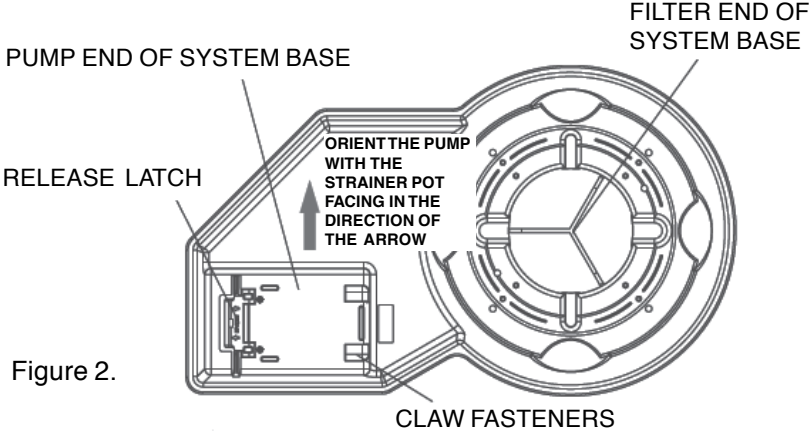


Figure 2.

G. Slide the pump foot between the claw fasteners and the release latch. See Figure 3. Seat the pump by pushing down on it until the release latch clicks into place on the pump foot. See Figure 4. The pump should be positioned as indicated in Figure 5. Install the two #20 x 1-1/4" long lag bolts through the slots in the foot of the motor, into the two holes in the base near the release latch.

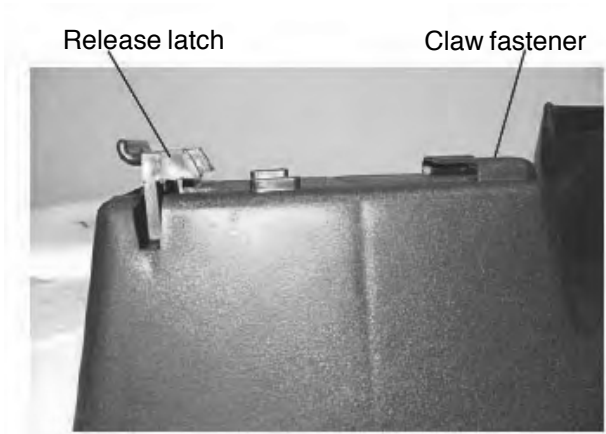


Figure 3.

3. Now, move the system to its final position. The system must be placed on level solid earth. The entire system filled with sand and water can weigh several hundred pounds.

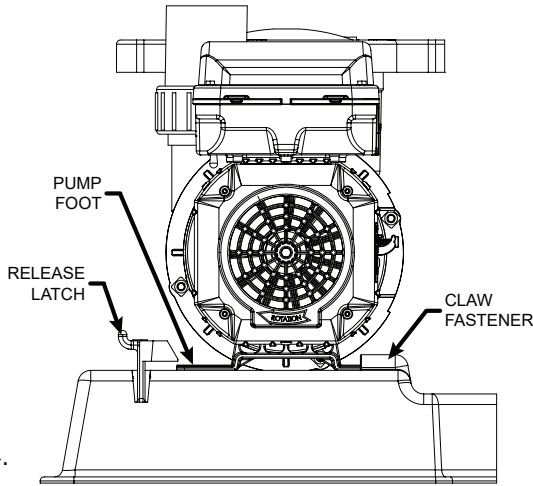


Figure 4.

4. Be certain to install the precise amount of filter sand listed on your filter nameplate. You must use only No. 20 standard silica sand having a uniformity coefficient of 1.75 or less. No. 20 silica sand has a particle size of .018-.022 inches (.45 to .55mm). Before pouring the sand into the filter, look inside and check the lower under drain for broken or loose laterals (or fingers), which may have been accidentally damaged by rough handling during shipment. Replace any parts as necessary.
5. Install the sand guide in the top of the filter and fill the tank about half full of water. Pour the sand into the top of the filter at a slow rate so that the weight of the sand does not damage the laterals. After the required amount of sand has been installed, remove and discard the sand guide. Wash away all sand around the opening at the top of the tank.

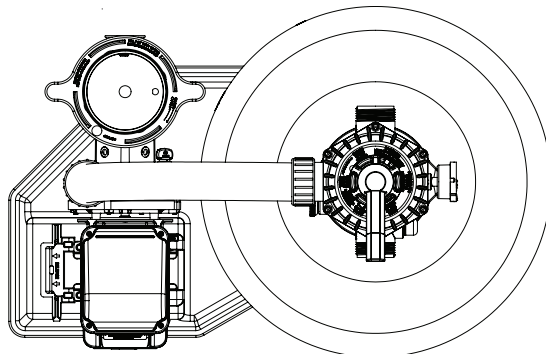


Figure 5.



6. Be sure top of filter is free of any sand or debris and valve o-ring is in place on valve body. Install valve so that the port locations are in the desired final position. See Figure 1 (see page 4).
7. Be sure that the valve is firmly pushed into the top of the tank and that the flange of the tank and the flange of the valve are contacting each other. See Figure 6.

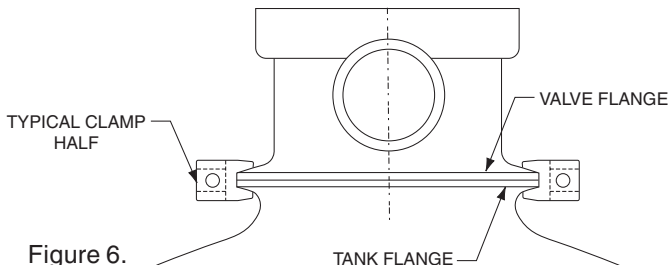


Figure 6.

8. The plastic clamp can now be installed. Place the clamp half over the valve flange and the tank flange as shown in Figure 6. Insert the valve screws and nuts into the clamp half making sure that the nuts are located in the special hexagonal retainer slots on the clamps. See Figure 7.

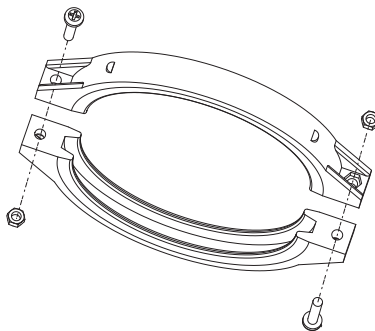


Figure 7.

9. Begin to tighten the clamp screws with a Phillips screwdriver. Tap around the outside of the clamp with a rubber mallet (or similar tool) to ensure uniform loading and proper seating of the clamp halves. Continue tapping and tightening until the clamp ends touch each other. Do not tighten beyond this point to avoid damaging the screws or clamp.

**High Pressure:**

Improper tank valve assembly could cause the valve to separate and cause serious injury and/or major property damage.

10. Valve ports are labeled with the location of where they should be connected i.e. pump port must go to pump discharge, waste port must go to waste line, and return port must go to the pool return.
11. The filter unit has a maximum operating pressure listed on the filter nameplate. **DO NOT OPERATE** this unit above the maximum operating pressure of the valve or the filter. Never connect the filter and valve unit to a pump which can generate a pressure that exceeds the operating pressure of the filter or valve.
12. Use sealant on all tapered male connections of pipes and fittings. Use only sealant compounds suited for plastic pipe. Support pipe to prevent strains on filter, pump, or valve. **DO NOT USE PETROLEUM BASE PRODUCTS. NOTICE: All valve internal threads are tapered except the air bleeder connection. Do not over tighten tapered threaded connection.**
13. Install pressure gauge in ¼” NPT port directly across from the pump port of the valve.
14. Never store pool chemicals within 10 feet of your pool filter, pump, or valve. Pool chemicals should be stored in a cool, dry, well ventilated area.

**▲ WARNING** Chemical fumes and/or spills can cause serious corrosion to the filter and pump structural components. Structurally weakened components can cause filter, pump or valve attachments to separate and could cause serious bodily injury or property damage.

**▲ WARNING** The system’s centrifugal pump operates with electrical voltage, and can generate both vacuum and pressure in the water system. When properly wired and plumbed, this pump will operate in a safe manner.

**▲ WARNING** High voltage can cause serious or fatal injury. Always install a suitable GFCI at the power source of this unit as an added safety precaution. Article 681-31 of the NEC requires that a GFCI be used if this pump is used with a storable pool.

15. Avoid over tightening the pipe threads when connecting fittings to the pump or valve. Proper procedure is to apply a pipe sealant to the thread and then install hand tight plus one (1) turn. **DO NOT OVER TIGHTEN.**
16. The pump suction line should not be smaller than the pipe on the inlet of the pump.
17. **Electrical connection of the pump should be performed by a qualified pool and spa service professional in accordance with the National Electrical Code or your local electrical code.**

Recommended Circuit Breaker and Wiring Data					
Motor HP	Branch Circuit	Volts/Hz/Phase	Distance in Feet of Branch Circuit		
			0-50 Ft.	50-100 Ft.	
3/4	15 AMP	115/60/1	No. 14	No. 14	Min. Service
1	15 AMP	115/60/1	No. 12	No. 12	Wire
1-1/2	20 AMP	115/60/1	No. 12	No. 10	Size
1-1/2	15 AMP	230/60/1	No. 14	No. 14	To Motor

**⚠ WARNING**

**Blockage of suction fittings can cause serious or fatal injury due to drowning. To reduce the risk of injury, do not permit children to operate this product.**

**⚠ WARNING**

**Never work on the pump while it is running or power is still connected. High voltage can cause serious or fatal injury. A suitable ground fault interrupter should always be installed at the power supply source of this unit. Be sure to ground the motor before connecting to electrical AC power supply. Failure to ground the motor can cause serious or fatal electrical shock hazard. DO NOT ground to a gas supply pipe line.**

18. Use lug on top of motor frame to bond together motor and all metallic parts of pool, spa, or hot tub structure and all electrical equipment, metal conduit, and metal piping with a solid copper conductor not less than No. 8 A.W.G.
19. The pump motor must be wired for the proper voltage in accordance with the wiring diagram supplied with the motor. **Note: Wiring the motor with the incorrect supply voltage will cause damage to the motor and void warranty.**
20. The wiring to the motor should be kept as short as possible and large enough NOT to cause excessive voltage drop which could damage your pump. Use the chart above as a guide to ensure adequate voltage is supplied to the pump.
21. **The product may be furnished with a 6 ft. three (3) prong test cord. The cord is provided for your convenience to allow you to check the pump operation before installing the system on the pool. The test cord should NOT be used for permanent connection.** When checking the pump operation, do not run the pump longer than 30 seconds. Damage to the pump's mechanical seal could result if ran longer than 30 seconds.

**⚠ WARNING**

## FOR CORD AND PLUG-CONNECTED UNITS



**RISK OF ELECTRICAL SHOCK:**

Connect only to a ground type receptacle protected by a Ground Fault Circuit Interrupter (GFCI). Contact a qualified electrician if you cannot verify that the receptacle is protected by GFCI.

**Do Not Bury Cord.** Locate cord to minimize abuse from lawn mowers, hedge trimmers, and other equipment.

To reduce the risk of electrical shock, replace damaged cord immediately.

To reduce the risk of electrical shock, **Do Not Use an extension cord to connect unit to electrical supply; provide a properly located outlet.**

### Section 3

## Operation and Maintenance

### Initial Start-Up

1. Clean a new pool before filling it with water. Excessive dirt and large particles can cause damage to the pump and sand filter system.
2. Verify the backwash line is open so that water is free to come from the pool and flow out the backwash line. Set the valve in “Backwash” position.

**⚠ DANGER**



This filter operates under pressure. With the valve clamped properly and operated without air in the system, this filter will operate in a safe manner. Air entering the filter and the valve not clamped correctly can cause the valve to separate, which could cause serious personal injury and/or property damage.

**⚠ WARNING**

Always turn pump off before changing valve positions. Changing valve positions while the pump is running can damage the control valve, which may cause serious injury or property damage.

3. Make sure the pump pot is full with water before starting the pump. Keep all air vents on underside of motor (or motor enclosure) free of debris to ensure proper cooling of motor.
4. Check valve clamp on filter for proper assembly. **Note:** See instructions under “Installation” section of this manual if in doubt.
5. Open manual air bleeder on filter. **STAND CLEAR OF FILTER** and start the pump, allowing it time to prime.

**Note:** Install electrical controls (e.g., on/off switches, timers, control systems, etc.) at least five (5) feet from the filter. This will allow you enough room to stand clear of the filter during system start up.

6. Close the air bleeder on the filter when a steady stream of water emerges.

**Note: Pool Filter Sand is typically prewashed and should not require extensive backwashing. However, the shipping process may cause excessive abrasion which could require an extended backwash cycle at initial start-up; continue to backwash for three (3) minutes.**

**WARNING**

To prevent equipment damage and possible injury, always switch pump off before changing valve position.

7. Stop the pump. Set the valve to the “Filter” position.
8. Ensure all suction and pool return lines are open so that water is free to come from the pool and return to the pool.
9. Open the manual air bleeder on the filter. **STAND CLEAR OF THE FILTER** and start the pump.
10. Close the air bleeder on the filter when a steady stream of water emerges.
11. The filter has now started its filtering cycle. Be sure the water is returning to the pool and take note of the operating pressure when the filter is clean.

## Maintenance

Proper care and maintenance of the pump and sand filter system will add many years of enjoyment to the pool. Follow these suggestions for long trouble free operation.

1. To clean the exterior of the pump and sand filter system of dust and dirt, wash with a mild detergent and water and then hose off. Do not use solvents.
2. If internal filter maintenance is required, sand may be removed by removing the entire drain spigot from the bottom of the filter and flushing with a garden hose.
3. The filter is a pressure vessel and should never be serviced while under pressure. Always relieve tank pressure and open air bleeder on filter before attempting to service the filter.
4. When restarting the filter always open the manual air bleeder on the filter and STAND CLEAR OF FILTER.
5. The strainer basket in the pump should be inspected and cleaned twice each week. Remove the clear lid and the basket, and clean debris from basket. Inspect the lid o-ring; if damaged, replace. The pump seal requires no lubrication. The pump motor should only be serviced by a motor service center.

## Cleaning

1. The filter on a new pool should be backwashed, and cleaned after the first 48 hours of operation to clean out construction debris. There are three different ways to identify when the filter needs backwashing:
  - a)** The most accurate indicator on pool systems with a flow meter is to backwash when the flow decreases 30% from original (clean filter) flow. For example, if the original flow was 60 GPM, the filter should be backwashed when the flow is reduced by about 20 GPM (or 30%) to 40 GPM.
  - b)** A more subjective and less accurate indicator is to observe the amount of water flowing from the flow directionals located in the wall of the pool. The filter should be backwashed once it is detected that the flow has been reduced.
  - c)** The most commonly used but least accurate indicator is to backwash when the filter gauge reading increases 10 psi over the initial (clean filter) reading.
2. It is important not to backwash the filter solely on a timed basis such as every three days. It is also important to note that backwashing too frequently actually causes poor filtration. Factors like weather conditions, heavy rains, dust or pollen, and water temperatures all affect the frequency of backwash. As you use your pool, you will become aware of these influences.

## Filter Backwash Procedure



**WARNING** To prevent equipment damage and possible injury, always switch pump off before changing valve position.

1. Stop pump.
2. Be sure the suction and backwash lines are open so that water is free to come from the pool and flow out the backwash line. Set control valve to “Backwash” position.
3. **STAND CLEAR OF FILTER** and start pump.
4. Backwash filter for approximately three (3) minutes or until backwash water is clean.
5. Stop pump and set valve to “Rinse” position.
6. **STAND CLEAR OF FILTER** and start pump.
7. Rinse the filter for approximately 30 seconds.
8. Stop pump and set valve to “Filter” position.
9. Be sure the pool return line is open so that water may flow freely from the filter back to the pool.
10. Open manual air bleeder on filter. **STAND CLEAR OF FILTER** and start pump.
11. Close manual air bleeder on filter when a steady stream of water emerges from the bleeder.
12. The filter has now started its filtering cycle. Be sure the water is returning to the pool and take note of the filter pressure.
13. The filter pressure in Step 12 above should not exceed the pressure originally observed on the filter when it was initially started. If after backwashing, the pressure is 4 to 6 psi above the start condition it will be necessary to chemically clean the sand bed.

## Chemical Cleaning

1. It is recommended to use industry standard filter cleaner, available at pool suppliers. These cleaners remove oils, scale and rust from the sand bed in one cleaning operation.
2. Mix a solution following the manufacturer's instructions on the label.
3. Backwash the filter with the valve as described above.
4. If the filter is below pool level, switch pump off and close the appropriate valves to prevent draining the pool.
5. Switch off pump, open filter drain and allow filter to empty. Place valve in "Backwash" position.
6. After filter has drained, close filter drain and remove the pump strainer pot lid.
7. Be sure the backwash lines are open.
8. Switch the pump on and slowly pour the cleaning solution into the pump strainer with the pump running. If filter is below pool, open shut off valve slightly to allow pump to run.
9. Continue adding solution until the sand bed is saturated with cleaning solution.
10. Switch off the pump and leave filter in "Backwash" position. Allow the filter to stand overnight (12 hours).
11. Replace the pump lid and follow backwash procedure as described above.
12. Do not allow the cleaning solution to get into the pool.



## Replacement of Valve Top and Diverter Assembly

If the filter control valve stops functioning properly, the problem can usually be corrected by replacing the top and diverter assembly as described below.

1. Switch off pump and open air bleeder to relieve all internal pressure.
2. Set valve handle to “Winterize” position.
3. Remove the six (6) cover screws, washers and nuts.
4. Lift off valve top and diverter assembly.

**Note: Valve diverter assembly has the sealing gasket attached to the diverter. When handling the diverter use caution to prevent the sealing surface from being damaged during handling.**

5. Clean valve body sealing surface with a soft clean lint free cloth. Inspect surface for damage such as scratches or nicks. If surface is damaged, the valve body must be replaced.
6. Carefully lubricate the new valve top replacement O-Ring with a silicone based lubricant or soapy water. DO NOT use vaseline or a petroleum based lubricant.



**WARNING** Improper tank valve assembly could cause the valve to separate and cause serious injury or property damage.

7. Place the new valve top handle in the “Winterize” position. Install the new valve top and diverter assembly. Be sure the small recess on the lid and the small bump on valve body are aligned. Install all six (6) screws with backup washer under the screw head. Install the nuts on each screw and finger tighten all six (6) screws. The screws should be tightened progressively by tightening diametrically opposite screws and following a crisscross pattern. Tighten all six (6) valve top attachment screws snug. DO NOT OVER TIGHTEN.

## Winterizing the System

### **CAUTION**

**Allowing water to freeze in the system will damage the system and cause potential water damage/flooding and potential property damage.**

1. In areas that have freezing winter temperatures, protect the pool equipment by backwashing the filter.
2. After backwashing, shut the pump off, open the manual air bleeder on the valve and move the handle to “Winterize” position.
3. Remove the drain cap on the bottom of the filter. The filter will drain very slowly. During the shutdown season, it is recommended to leave the drain plug out.

### **CAUTION**

**The control valve should be left in the “Winterize” position during the shutdown season so that the rubber seal of the valve diverter has no pressure on it. Failure to do so can damage the valve diverter seal which can cause property damage from leaking water.**

4. Drain all water from the pump housing and piping when freezing temperatures are expected. Remove both drain plugs from the pump to allow the pump to drain completely.
5. If possible, remove the pump and place it in an inside dry location.
6. For an outdoor unprotected location it is best to protect the equipment in a weather proof enclosure.
7. It is recommended to cover the equipment with a tarpaulin or plastic sheet to prevent deterioration from the environment. **DO NOT WRAP THE PUMP MOTOR WITH PLASTIC**, this will cause condensation to form inside the motor.
8. In installations where the pump cannot be drained a 40% Propylene Glycol 60% water solution will protect to -50° F (-45.5° C). **Note: Do not use anti-freeze solutions except Propylene Glycol; as other anti-freeze are highly toxic and will damage the pump.**

## Section 4

## Troubleshooting

Problem	Cause	Action
Pool water not sufficiently clean.	<ol style="list-style-type: none"> <li>1. Pool chemistry not adequate to inhibit algae growth.</li> <li>2. Too frequent a backwash cycle.</li> <li>3. Improper amount or wrong sand size.</li> <li>4. Inadequate turnover rate.</li> </ol>	<p>Maintain pool chemistry or consult service technician.</p> <p>Allow pressure to build to 10PSI above clean filter condition before backwashing.</p> <p>Check sand bed depth and sand size or consult pool service technician.</p> <p>Run system for longer time or consult dealer or pool service technician.</p>
Higher filter pressure.	<ol style="list-style-type: none"> <li>1. Insufficient backwashing.</li> <li>2. Sand bed plugging with mineral deposits.</li> <li>3. Partially closed valve or restriction.</li> </ol>	<p>Backwash until effluent runs clear.</p> <p>Chemically clean filter.</p> <p>Open valve or remove obstruction in return line.</p>
Short filter cycles.	<ol style="list-style-type: none"> <li>1. Improper backwashing.</li> <li>2. Pool chemistry not adequate to inhibit algae growth.</li> <li>3. Plugged sand bed.</li> <li>4. Flow rate too high.</li> </ol>	<p>Backwash until effluent runs clear.</p> <p>Maintain pool chemistry or consult pool service technician.</p> <p>Manually remove top 1" surface of sand bed and chemically clean as required.</p> <p>Restrict flow to capacity of filter.</p>
Return flow to pool diminished, low filter pressure.	<ol style="list-style-type: none"> <li>1. Obstruction in the pump hair and lint pot.</li> <li>2. Obstruction in pump.</li> <li>3. Obstruction in suction line to pump.</li> </ol>	<p>Clean basket in strainer.</p> <p>Disassemble and clean pump.</p> <p>Clean skimmer basket. Remove obstruction in lines.</p> <p>Open valves in suction line.</p>
Sand returning to pool.	<ol style="list-style-type: none"> <li>1. Broken underdrain lateral.</li> <li>2. Backwash rate too high.</li> </ol>	<p>Replace broken or damaged laterals.</p> <p>Reduce backwash flow rate.</p>

## Section 5

## Technical Data and Replacement Parts

**Note**

Please see the provided insert sheet for Technical Data and Replacement Parts information specific to your pump and filter.



1620 HAWKINS AVE., SANFORD, NC 27330 • (919) 566-8000  
10951 WEST LOS ANGELES AVE., MOORPARK, CA 93021 • (805) 553-5000

[WWW.PENTAIR.COM](http://WWW.PENTAIR.COM)

All Pentair trademarks and logos are owned by Pentair Pentair Aquatic Systems®, is a trademark of Pentair Water Pool and Spa, Inc. and/or its affiliated companies in the United States and/ or other countries. Unless expressly noted, names and brands of third parties that may be used in this document are not used affiliation or endorsement between the owners of these names and brands and Pentair Water Pool and Spa, Inc. Those names and brands those third parties. Because we are continuously improving reserves the right to change specifications without prior notice. Pentair is an equal opportunity employer.

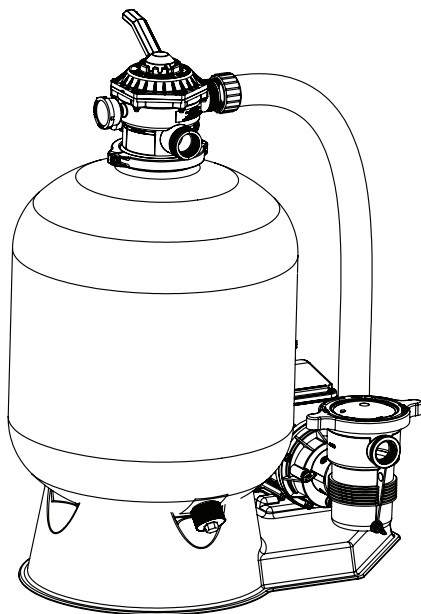
© 2021 Pentair. All rights reserved. This document is subject to change without notice.



P/N 152007 Rev.D 10/21/21



# SISTEMA DE BOMBA Y FILTRO DE ARENA



## GUÍA DEL USUARIO Y DE INSTALACIÓN

INSTRUCCIONES DE SEGURIDAD IMPORTANTES  
LEA Y SIGA LAS INSTRUCCIONES  
PROTEJA ESTAS INSTRUCCIONES

**Soporte Técnico**

Sanford, North Carolina (8 A.M. a las 5 P.M. Horario del Este y Pacifico)

Moorpark, California (8 A.M. a las 5 P.M. Horario del Este y Pacifico)

Telefono: (800) 831-7133

Fax (800) 284-4151

Pagina de internet: visite [www.pentair.com](http://www.pentair.com)

**Indice**

Advertencias e Importantes Precauciones de Seguridad.....	i
<b>Sección 1: Información acerca del Filtro de arena y bomba.....</b>	<b>1</b>
<b>Sección 2: Instalación .....</b>	<b>2</b>
<b>Sección 3: Operación y Mantenimiento .....</b>	<b>11</b>
Comienzo Inicial.....	11
Mantenimiento.....	12
Limpieza .....	13
Procedimiento de limpieza de reversa del filtro “Backwash”.....	14
Limpieza con Sustancias Quimicas .....	15
Reemplazamiento de la valvula de arriba y el desviamento “Diverter”.....	16
Sistema de Invierno “Winterizing”.....	17
<b>Sección 4: Guia para la identificacion de problemas .....</b>	<b>18</b>
<b>Sección 5: Información técnica y partes de repuesto .....</b>	<b>19</b>

## ADVERTENCIA E IMPORTANTES PRECAUCIONES DE SEGURIDAD

**▲ PELIGRO** LESIONES SEVERAS O MUERTE PUEDEN SER CAUSADOS SI LA BOMBA Y EL FILTRO DE ARENA NO ESTAN INSTALADOS Y USADOS CORRECTAMENTE.

**▲ PELIGRO** INSTALADORES, OPERADORES Y DUEÑOS DE PISCINAS TIENEN QUE LEER ESTAS ADVERTENCIAS Y TODAS LAS INSTRUCCIONES ANTES DE USAR LA BOMBA Y EL FILTRO DE ARENA.

**▲ ADVERTENCIA** Este sistema de Bomba y Filtro de Arena es producido con la intención de usarse en un sistema de piscina.

**▲ ADVERTENCIA** Casi todos los Estados de Los Estados Unidos y códigos locales regulan la construcción, instalación, y operación de piscinas públicas y balnearios, y la construcción de piscinas y balnearios. Es muy importante seguir estos códigos, la mayoría afectan directamente a la regulación de instalación y el uso de este producto. Consulte con su código local de construcción para más información.



**NOTA IMPORTANTE – Atención instalador:** Esta Guía del Usuario y de Instalación (“Guía”) contiene información importante acerca de la instalación, operación y uso seguro de esta Bomba y Filtro de Arena. Esta guía debe ser entregada al dueño de la piscina y/o al operador de este equipo de sistema.

**▲ ADVERTENCIA** Antes de instalar este producto, lea y siga todas las notas de advertencia e instrucciones en esta guía. En caso de no seguir las advertencias e instrucciones de seguridad puede resultar en lesiones severas, muerte o daño de propiedad. Llame al (800) 831-7133 para obtener copias adicionales gratuitas de estas instrucciones. Por favor refiérase a [www.pentairwater.com](http://www.pentairwater.com) para más información acerca de este producto.



La temperatura de agua a más de 100 °F (37.7 °C) puede ser peligroso para su salud. Sumersiones largas en agua caliente pueden inducir hipotermia. La hipotermia puede ser causada cuando la temperatura interna del cuerpo llega a un nivel o más grados sobre la temperatura normal del cuerpo que es 98.6 °F (37 °C). Los efectos de la hipotermia son: (1) Ignorar el inminente peligro. (2) No sentir o percibir calor. (3) No reconocer

la necesidad de salirse del balneario. (4) Inhabilidad física de salirse del balneario. (5) daño al feto para mujeres embarazadas. (6) Perder el conocimiento resultando un peligro para ahogarse. El uso de alcohol, drogas, o medicación puede. La temperatura máxima del agua para el funcionamiento de este filtro es de 95° F (35°C).

**▲ ADVERTENCIA** Para reducir el riesgo de lesiones, no permita que los niños usen operen esta Bomba y Filtro de Arena.

**▲ ADVERTENCIA** Cuando se establece el volumen y la corriente de agua que entra en la piscina, el operador tiene que considerar los códigos locales que rigen los volúmenes de agua y también las reglas para las raciones de desinfección.

**▲ ADVERTENCIA** No aumentar el tamaño de la bomba; esto puede causar que el volumen de agua que pase por el sistema pueda excedir el volumen máximo de agua que esta indicado en el cubierta de el drenaje.

## ADVERTENCIA E IMPORTANTES PRECAUCIONES DE SEGURIDAD

**⚠ ADVERTENCIA** Para bombas y filtros de arena que van a ser instalados en locaciones que no son para una vivienda, un interruptor visible de emergencia tiene que ser incluido de parte de esta instalación. El interruptor de emergencia tiene que estar instalado en un lugar donde sea accesible por los ocupantes y tiene que ser instalado por lo menos 5 pies (1.52 metros) de alcance, cerca de, y de vista de la bomba y del filtro de arena.

### ⚠ PELIGRO



**Alta presión del Filtro de Arena puede causar lesiones graves o gran daño de propiedad por la separación del tanque.**

**Saque la presión del Filtro y lea las instrucciones antes de ponerse a trabajar en el Filtro de Arena.**

**Si la abrazadera del Filtro a sido ajustada con presión, el tanque puede separarse causando lesiones serias y gran daño de propiedad.**

### ⚠ ADVERTENCIA

**Antes de trabajar en el Filtro!**

- (1) Apague la bomba.
- (2) Abrir la válvula para sacar el aire
- (3) Sacar toda la presión del sistema

**RIESGO DE UN CHOQUE ELECTRICO O ELECTROCUCION:**

**LA BOMBA NECESITA ALTO VOLTAGE Y ESO PUEDE CAUSAR UN CHOQUE ELECTRICO, QUEMADURA, O MUERTE.**

**ANTES DE USAR LA BOMBA!**

### ⚠ PELIGRO



**SIEMPRE DESCONECTE LA ENERGIA DE LA BOMBA DESDE EL INTERRUPTOR AUTOMATICO ANTES DE TRABAJAR Y DAR SERVICIO A LA BOMBA. SI NO HACE ESTO, PUEDE SER CAUSA DE MUERTE O SERIAS LESIONES A LA PERSONA QUE TRABAJE DANDO SERVICIO A LA BOMBA, LOS QUE ESTÉN USANDO LA PISCINA, U OTROS DEVIDO A UN CHOQUE ELÉCTRICO.**

### ⚠ ADVERTENCIA

Una bomba de piscina o balneario debe de ser instalada por una persona calificada para servicio de piscina y balnearios profesional por reglas establecidas por el código nacional de electricistas y todos los códigos locales y leyes. Instalación inapropiada puede causar peligro de choque eléctrico que puede causar muerte o daño serio para los que usen la piscina, instaladores, u otros, y también puede dañar la propiedad.

### ⚠ ADVERTENCIA

Una Bomba inapropiada en tamaño o instalada o usada en un sistema diferente de lo que es destinada en uso, puede resultar en serias lesiones personales o muerte. Estos riesgos pueden incluir y no son limitados a un choque eléctrico, fuego, inundación, trampa de succión o serias lesiones o serios daños causados por un derrumbe estructural de la Bomba u otros componentes del sistema.

### ⚠ ADVERTENCIA

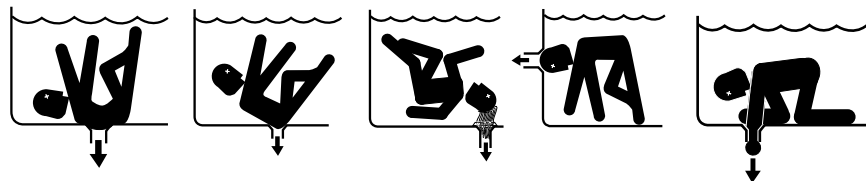
**Nunca pasarse del volumen máximo estipulado en la** Solamente use un sistema de Bomba correspondiente a la velocidad de la corriente del agua. Omisión o ignorar esto puede resultar en cabello o cuerpo atrapado que puede resultar en graves lesiones personales o muerte. En caso de tener dudas acerca del sistema de la bomba consulte a una persona calificada de servicio de piscina profesional.



## ADVERTENCIA E IMPORTANTES PRECAUCIONES DE SEGURIDAD

**ADVERTENCIA** Bombas no son un sustituto para cubiertas de drenaje que estén instalados correctamente y que estén seguros. Una cubierta de drenaje contra trampa aprobado por el ANSI/ASME A112.19.8 tiene que ser usado para cada drenaje. Piscinas y balnearios deben de utilizar por lo menos dos drenajes o tubos de desagüe por bomba. Inspeccionar regularmente todas las tapaderas por daños de quebraduras, sueltas, o que se hayan perdido. Si una cubierta de drenaje se suelta, se quiebra o se pierde, cierre la piscina o balneario inmediatamente y apague la bomba, ponga una nota de advertencia en la que continúe la piscina y el balneario cerrado hasta que una cubierta de drenaje apropiado VGB 2008 que no atrape ("anti-entrapment") sea instalado correctamente con los tornillos de el fabricante. Tapaderas que se hayan deteriorado sobre el tiempo por exposición al sol o por sustancias químicas de piscina. Las tapaderas deben de ser reemplazadas en un periodo de (7) siete años desde su instalación (o mas rápido si las tapaderas se deterioran o dañan antes de ese periodo).

### PELIGRO RIESGO DE ATRAPARSE POR LA SUCCION



**Bombas y Filtros de Arena para piscina y balnearios mueven grandes volúmenes de agua, que pueden causar peligro extremo al cabello de una persona si se aproxima muy cerca al drenaje que no tenga una medida apropiada para la Bomba o el Filtro de Arena.**

**Cabello Enredado** - Cuando el cabello se enreda y hace nudos en la tapadera del drenaje, atrapa al nadador debajo del agua. Este peligro se presenta cuando la velocidad de la corriente de agua sobre la tapadera del drenaje es muy pequeña para la Bomba y el Filtro de Arena.

**Extremidades piernas o brazos atrapadas** - Cuando una pierna o brazo es succionada o insertada adentro de cualquier abertura resultando en una involuntaria hinchazón. Este peligro se presenta cuando la tapadera del drenaje esta quebrada, suelta, floja, no existe o no esta instalada apropiadamente.

**Cuerpo atrapado** - Cuando una parte del cuerpo se atora sobre la tapadera del drenaje, atrapa al nadador debajo del agua. Este peligro se presenta cuando la tapadera del drenaje esta quebrada, suelta, floja, no existe o no esta instalada apropiadamente.

**Destripamiento/Desentripar** - Cuando una persona (particularmente un niño) se sienta sobre una salida de succión o desagüe de una piscina o balneario se va directamente a los intestinos, causando graves daños intestinales. Este peligro se presenta cuando la tapadera del drenaje no existe, esta suelta, floja, quebrada o no esta instalada apropiadamente.

**Atrapamiento Automatico** - Cuando joyeria, traje de baño, decoraciones del cabello, dedos de las manos o los pies son atrapados en una abertura, en una salida o en la tapadera del drenaje. Este peligro se presenta cuando la tapadera del drenaje no existe, esta quebrada, suelta o no esta instalada correctamente.

**ADVERTENCIA E IMPORTANTES PRECAUCIONES DE SEGURIDAD**

**Para información acerca de Virginia Graemer Baker Pool and Spa Safety Act, contacte a Consumer Product Safety Comisión a (310) 504-7908 o vista [www.spssc.gov](http://www.spssc.gov).**

**Nota Importante: Siempre apague todo el poder electrico para la bomba de la piscina antes de instalar la cubierta o trabajar en las cubiertas de drenaje (“Suction Outlets”).**

**Nota para la Bomba controlada por dos velocidades (Titulo 20 de Adaptacion)** Por favor lea las siguientes instrucciones importantes de seguridad. Cuando se usa una Bomba de dos velocidades fabricada en o despues de Enero 1, 2008 la velocidad de la circulacion debe estar automaticamente establecida o fijada a la velocidad más baja, con una velocidad más alta pasaria por encima de la capacidad de la Bomba pasando por un periodo temporal y no sobrepase un ciclo normal, o por dos horas, cualquiera que sea menos.

## Sección 1

### Resumen de la Bomba y del Filtro de Arena

Este sistema funciona bajo presión y si es inapropiadamente construido o funciona con aire en el sistema de circulación del agua puede que resulte en separarse o cause un accidente resultando graves lesiones del cuerpo. Una etiqueta de advertencia ha sido añadida a el Filtro de Arena y no puede ser removida o eliminada. Mantenga las etiquetas de advertencia en buena condición y reemplacelas si se han perdido o son ilegibles. (Para etiquetas gratis llame al teléfono (919) 774-4151). Bombas y Filtros de Arena nunca deben ser sujetas a pruebas de aire o gas bajo presion. Todos los gases concentrados y bajo presión pueden causar peligro. Graves lesiones del cuerpo o daños de propiedad pueden ocurrir si la Bomba o el Filtro de Arena son sujetos al aire o gas de presión.

Este sistema primeramente consiste de una Bomba centrífugo, un Filtro de Arena de alta velocidad con válvula de control, una conexión de manguera y una base para montar. Su Bomba centrífugo es manejada por un motor electrico. El motor esta directamente atado a la Bomba centrífugo. Cuando el motor electrico da vueltas ocasiona compulsivas vueltas causando que el agua circule. El agua circula hacia el contenedor para la pelusa y cabello y a través del cesto construido para recoger particulas más grandes. Despues la corriente de agua entra al centro de la Bomba. La corriente pasa por el centrífugo y dentro del distribuidor estacionario, para salir por la emisión de la Bomba, pasando por la conexión de manguera y por la válvula de control del Filtro de Arena. Se acumula tierra en el Filtro de Arena cuando la corriente de agua pasa por la válvula de control por la parte de arriba del Filtro y es dirigida hacia abajo sobre la superficie de la cama del Filtro de Arena. La tierra se colecciona en la cama de arena del Filtro y la corriente de agua limpia pasa por la tuberia de abajo de el Filtro hacia la tuberia de enmedio de la válvula de control y hacia la parte de arriba del Filtro de Arena. Despues el agua limpia regresa por el sistema de tuberia de la piscina. La presion subira y la corriente de la piscina sera más baja porque la tierra se acumulo en el Filtro de Arena. Eventualmente, el Filtro de Arena se tapara con tierra y sera necesario realizar el procedimiento de limpieza de reversa ("Backwash") del Filtro de Arena. Es muy importante saber cando hacer la limpieza de reversa ("Backwash") del Filtro de Arena. Para la informacion de la limpieza de reversa ("Backwash") del Filtro de Arena, dirijase a la pagina 13 y 14 El seis (6) posición de operación y el uno (1) posición de Invierno la válvula esta designada para proveer todas las posiciones necesarias y requeridas para operar, mantener, y dar servicio a las fallas de su Filtro de Arena.

**▲ PELIGRO**

**Aire que entre al Filtro y a la abrazadera de la válvula por no estar apropiadamente cerrada puede ocasionar que la válvula se separe y que cause graves lesiones al cuerpo y daños a la propiedad.**

**▲ ADVERTENCIA**

**Para prevenir equipo dañado y posibles lesiones, siempre apague la Bomba y el Filtro de Arena antes de cambiar la posición de la válvula.**

## ▲ ADVERTENCIA

Este filtro funciona con presión alta. Cuando cualquier parte del sistema de circulación (abrazadora, bomba, filtro, válvulas, etc.) se le da servicio, aire puede entrar al sistema y puede ser presionado. Aire con presión puede causar la tapadera del filtro o la válvula de control que se separe, y esto puede causar lesiones graves, muerte, o daños de propiedad. Para evadir estos problemas, siga estas instrucciones.

1. Antes de reposicionar las válvulas y antes de empezar el ensamble, desensamble, ajuste de la abrazadera o cualquier otro servicio del sistema de circulación: (a) Apague la Bomba y todos los controles automáticos para asegurarse que el sistema: no empieza a arrancar o trabajar por error cuando la estén arreglando; (b) Abra la válvula de aire manualmente; (c) Esperar a que toda la presión se relaje, el medidor de presión tiene que indicar cero (0).
2. Cuando se instala la abrazadera para el filtro, siga las instrucciones exactas para la tapadera del filtro y de la abrazadera.
3. Cuando el servicio a el sistema de circulación este completo, siga las instrucciones exactas del sistema para arrancar el filtro.
4. Mantenga el sistema de circulación apropiadamente. Reemplace las partes que estén dañadas y desgastadas inmediatamente (Ejemplo: abrazadora, indicador de presión, válvula, empaque, etc.).
5. Asegúrese que el filtro este instalado apropiadamente y colocado de acuerdo a las condiciones de las instrucciones.

## Funciones de la válvula de control y de la dirección de la corriente del agua

**Filtro "FILTER":** Desde la Bomba, a través de la válvula, por debajo a través de la cama del filtro, hacia arriba a través de la tubería del centro para el agujero de la válvula de regreso, y de regreso hacia la piscina para una acción normal del filtro y aspirar la piscina a través del filtro.

**Limpieza de Regreso "BACKWASH":** Desde la Bomba, por la válvula, debajo a través de la pipa del centro, hacia arriba por el Filtro de Arena y para la válvula, y hacia afuera por la apertura de basura. Esta posición es usada para limpiar el filtro y correr la corriente en reverso.

**Enjuague "RINSE":** Desde la Bomba, por la válvula, por debajo a través de la arena del filtro, hacia arriba por la pipa del centro de la válvula y para afuera por la apertura de basura. Esta posición es usada para limpieza inicial y reposición de la cama del filtro después de la limpieza de regreso "Backwash".

**Basura "WASTE":** Desde la Bomba, a través de la válvula, se salta el filtro y sigue hacia la apertura para la basura. Esta posición es para aspirar directamente la basura, bajando el nivel de la piscina, o para evacuar toda el agua de la piscina.

**Cerrado "CLOSED":** NO HAY CORRIENTE DE AGUA EN ESTA POSICION - NO USE ESTA FUNCION CUANDO LA BOMBA ESTE FUNCIONANDO.

**Recirculando "RECIRCULATING":** Desde la Bomba, a través de la válvula, se salta el filtro y sigue hacia la apertura de regreso y regresa a la piscina. Esta posición es para circular el agua sin pasar a través del Filtro.

**Invierno “WINTERIZING” (Para áreas donde el equipo de piscina y balnearios pueden congelarse): La posición de válvula y del Filtro de Arena para preparese para el invierno, lea la página 17.**

Por favor tome nota de que el Filtro de Arena elimina o remueve sustancias o materias de basura sobre el agua pero no destruye germenos o microbios de la piscina. El agua de la piscina debe estar sin bacterias o microbios y debe estar balanceada para una agua transparente y brillante. Sustancias químicas para la piscina es una area especializada y usted debera consultar a un especialista de servicio de piscina local para detalles especificos. En general la hygiene apropiada de la piscina requiere un nivel libre de cloro desde el 1 hasta 2 PPM y un pH desde el 7.2 hasta el 7.6 . Su sistema de filtración debera ser designado para alcanzar los codigos locales de salud. Por lo mínimo, usted debe de asegurarse de que el ciclo de su sistema mueva el volumen total de agua de su piscina por lo menos dos veces en un periodo de veinticuatro horas (24).

**▲ ADVERTENCIA** Negligencia de hacer funcionar su sistema de filtracion o inadecuada filtracion puede causar deplorable claridad del agua y obstruir la vicibilidad en su piscina y eso puede permitir dividirse en o sobre oscuros objetos, y esto puede causar graves lesiones personales o ahogarse.

## Sección 2

### Instalación

1. **Lea y entienda todas las instrucciones antes de tratar de instalar, operar o darle mantenimiento a su Bomba y su sistema de Filtro de Arena.**
2. Proveer espacio y luz para el mantenimiento de rutina. Coloque el sistema cerca la piscina. Refierase a la Figura 1 para una tipica instalacion. **Nota: Instalar controles electricos (e.g., interruptor electrico de prendido/apagado (on/off switch), cuentaminutos (timers), sistema de control, etc.) por lo menos cinco (5) pies del filtro. Esto le dejara tener espacio suficiente desde el filtro durante el inicio del sistema.**

Sistemas que no estan ensamblados, armados o construidos deberan ensamblarse en este momento. Lea las siguientes instrucciones especiales desde la A hasta la G.

- A. Este seguro que todos los interruptores electricos de la Bomba esten apagados, y desconecte los cables de comunicacion con la Bomba antes de instalar la base.
- B. Remover todos los componentes individuales de la caja de cartón e inspeccionar por algun daño visible. Si las partes de la caja de cartón estan dañadas comunicarse con el vendedor o la compañía de envios.
- C. Coloque la base de soporte del sistema sobre el suelo cerca de la posición final de la unidad. Refierase a la figura uno (1) en la siguiente página.

**⚠ PELIGRO**

Este filtro funciona con presión de agua. Con la válvula conectada apropiadamente y operada sin aire en el sistema, este filtro puede trabajar en un modo seguro. Aire que entra al filtro y la válvula cuando no esta conectada apropiadamente puede causar que la válvula se separe, esto puede causar graves lesiones a las personas y/o daño a la propiedad.

**⚠ ADVERTENCIA**

Siempre apague la Bomba antes de cambiar posiciones de válvula. Cambiar posiciones de válvula cuando la Bomba esta funcionando puede dañar la válvula de control, esto puede causar graves lesiones o daño a la propiedad.

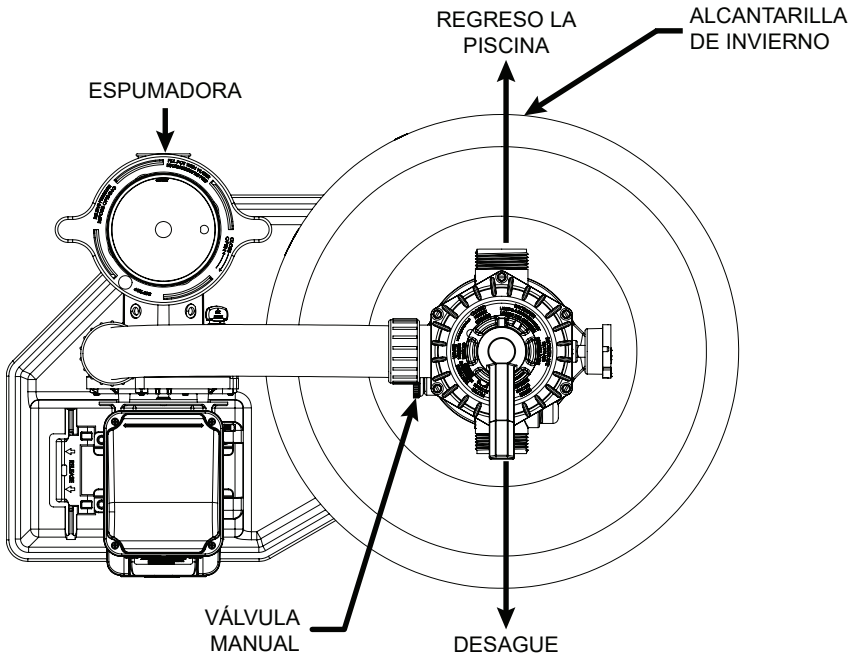


Figura 1.

- D. Inspeccione debajo del filtro y confirme la orientación de los pequeños huecos para que encajen con el tanque.
- E. Alinear los pequeños huecos del tanque para que correspondan a las aberturas en la parte de soporte del filtro en la base. Coloque el filtro en la base.

- F. Puede que ahora la Bomba este unida al lado de la base de soporte de la Bomba. Esta Bomba puede ser orientada o ajustada como se indica en la Figura 2.

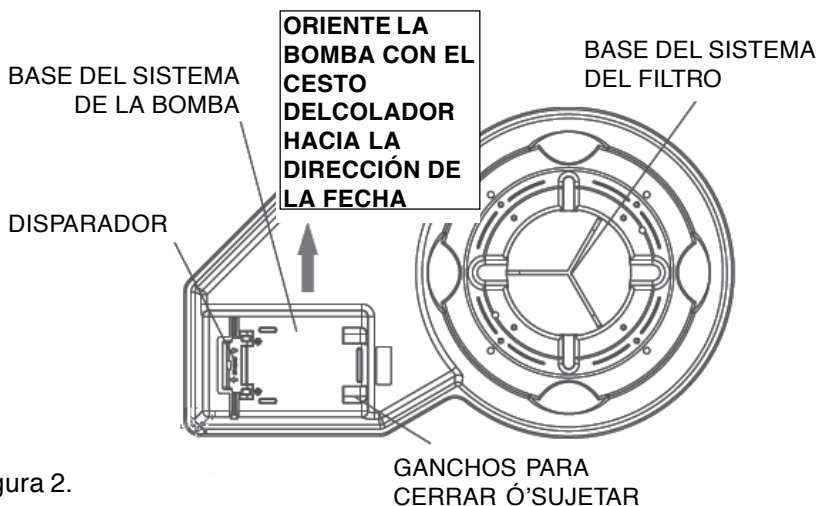


Figura 2.

- G Deslice el pie de la Bomba entre el gancho de sujetar y el disparador. Referirse a la Figura 3. Siente la Bomba a través de empujar hacia abajo sobre ella hasta que el gancho de sujetar haga un ruido corto cuando entre en su lugar sobre el pie de la Bomba. Refierase a la Figura 4. La bomba tiene que ser posicionada como es indicado en la Figura 5. Instale los dos x 1-1/4 pernos largos # 20" a través de la ranura en el pie de el motor, hacia los dos hoyos en la base cerca de el disparador.



Figura 3.

- Ahora, mueva el sistema para la posición final. El sistema debe estar situado o colocado en un lugar con nivel sólido de la tierra. El entero sistema lleno con arena y agua puede pesar varias o más de cien libras.

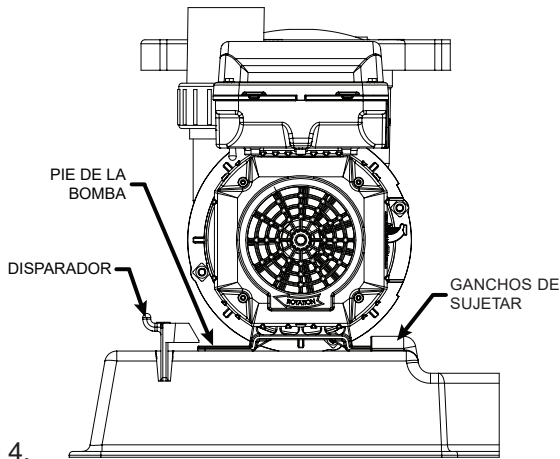


Figura 4.

- Asegurese de instalar la cantidad precisa de arena en el filtro que esta indicada en la placa del nombre de su filtro. Usted debe de usar solamente número (veinte) 20 arena silica tradicional teniendo una uniformidad coeficiente de 1.75 o menos. Número (veinte) 20 arena silica tiene un número particular de .018-.022 pulgadas (.45 hasta .55 mm). Antes de derramar la arena en el filtro, mire adentro e inspeccione debajo del tubo de desagüe por lados laterales quebrados o sueltos (o dedos), que pudieran haber sido accidentalmente dañadas por difícil manejo durante el envío. Remplaze las partes necesarias.
- Instale la arena guiada sobre el filtro y llene el tanque hasta la mitad de agua. Derrame la arena sobre el filtro a un paso lento para que el peso de la arena no dañe los lados laterales. Despues de la cantidad requerida de arena a sido intalada, remueva y tire la guia de arena. Limpie la arena alrededor de la apertura sobre el tanque.

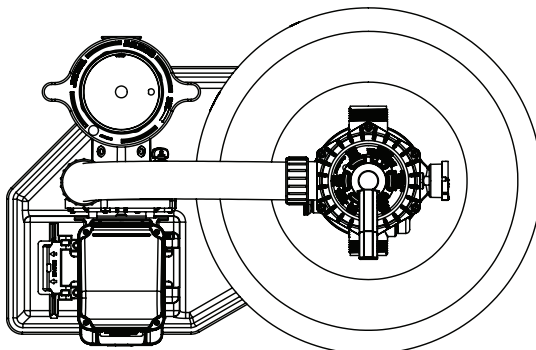


Figura 5.



6. Asegúrese que la parte de arriba del filtro este libre de arena o restos de arena y escombros y el o-anillo de válvula este en su lugar en el cuerpo de la válvula. Instale la válvula para que la posición de las aperturas estén en finalmente la posición deseada. Refierase a la Figura 1 (vea la página 4).
7. Asegúrese que la válvula este firmemente empujada hacia arriba del tanque y que la pestaña del tanque y la pestaña de la válvula estén en contacto con si mismas. Vea la Figura 6.

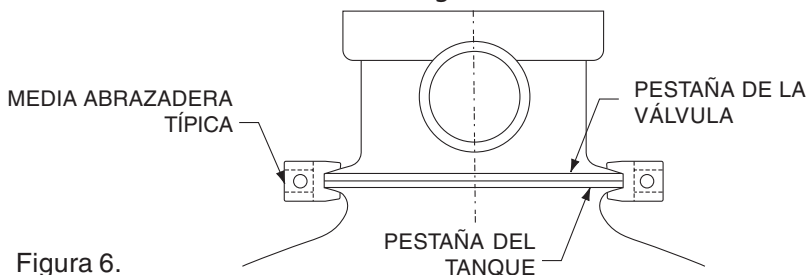


Figura 6.

8. Ahora puede ser instalada La abrazadera de plástico. Ponga la mitad de la abrazadera sobre la pestaña de la válvula y la pestaña del tanque como esta señalado en la Figura 6. Inserte los tornillos y tuercas de la válvula en la mitad de la abrazadera asegurandose que las tuercas estén localizadas en la parte hexagonal de la abrazadera. Refierase a la Figura 7.

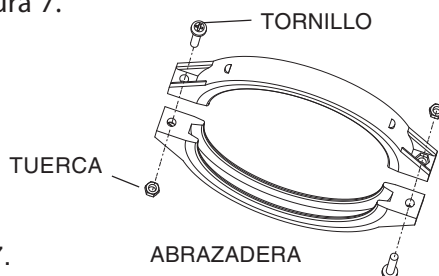


Figura 7.

9. Empiece a apretar los tornillos de la abrazadera con un destornillador Phillips. Golpee el extremo exterior de la abrazadera con un cincel/mazo de plástico (o un instrumento similar) para asegurarse que el centro de las abrazaderas está uniformemente colocado en su sitio. Continúe golpeando y apretando hasta que los extremos exteriores de las abrazaderas se toquen uno con otro. No apriete más una vez que llegue a este punto para evitar que se dañen los tornillos o la abrazadera.

**▲ ADVERTENCIA**



**Presión alta:**

Inapropiada ensambladura de la válvula del tanque puede causar que la válvula se separe y cause graves lesiones y/o mayores daños a la propiedad.

10. Aberturas de la válvula estan marcadas o etiquetadas con el lugar donde deben ser conectadas por ejemplo la abertura de la bomba debe conectarse con la abertura de salida de la bomba, la abertura de basura debe ser conectada con la linea de basura, y la abertura de regreso debe de ser conectada con la abertura de regreso de la piscina.
11. La unidad de filtro tiene una presión máxima para operar o funcionar como se indica en la placa personalizada del filtro. No opere o funcione esta unidad pasando la operacion máxima de funcionamiento o de la válvula o el filtro. Nunca conecte el filtro y la unidad de la válvula a una bomba que pueda generar una presión que exceda o sobrepase la presión de funcionamiento del filtro o la válvula.
12. Use un sellador apropiado en todas las conecciones machos de las tuberias. Use solamente selladores de componentes para tuberias de plastico. Soporte las tuberias para preveenir tensión en el filtro, la bomba y la válvula. **NUNCA UTILIZAR PRODUCTOS CON BASE DE PETROLEO.**  
**NOTA: Todos los cables internos de la válvula son puntiagudos excepto la conección del tubo de escape. No apriete de más o sobreapriete los cables puntiagudos.**
13. Instale una medida de presion ¼" NPT de apertura directamente desde la apertura de la bomba de la válvula.
14. Nunca guarde sustancias químicas de la piscina cerca de diez (10) pies del filtro de la piscina, bomba o válvula. Sustancias químicas tienen que estar guardadas o almacenadas en áreas frescas, secas, y bien ventiladas.

**⚠ ADVERTENCIA** Gases de sustancias químicas o derramados en el suelo pueden causar corrosión para la estructura de los componentes del filtro y bomba. Componentes con estructuras débiles pueden causar partes del filtro, bomba o válvula que se separen y pueden causar graves lesiones o daños de propiedad.

**⚠ ADVERTENCIA** El sistema centrífugo de la bomba opera con alto voltaje eléctrico, y puede crear aspirar o drenar y presión en el sistema de agua. Cuando la bomba esta conectada apropiadamente a su plomeria, esta bomba funcionara de un modo seguro.

**⚠ ADVERTENCIA** Alto voltaje eléctrico puede causar graves lesiones o lesiones fatales. Siempre instale un interruptor de tierra GFCI "Ground Fault Interrupted" en el origen o raiz de la fuerza electrica de esta unidad como una regla de precaución. El Artículo 681-31del NEC requiere que un GFCI sea usado si esta bomba es usada con una piscina portatil que se puede guardar.

15. Evite sobreapretar los cables de la tubería cuando los conecte a la bomba o válvula. El procedimiento apropiado es de aplicar un sellador de tubería a todos los cables y apretarlos con las manos y una (1) vuelta más. **NO LOS APRIETE DE MÁS O SOBREPRIETE.**
16. La línea de succión de la bomba no debe ser mas pequeña que la tubería de la pestaña de la bomba.
17. **La conexión eléctrica de la bomba debe ser ejecutada por una persona de servicio a piscinas y balnearios calificada y profesional de acuerdo con los Codigos Electricos Nacionales y Codigos Electricos Locales.**

Información recomendada de Circuitos electricos e interruptor					
Motor HP Caballos de Fuerza	Branch Circuit Circuito de Derivación	Volts/Hz/Phase Voltios Fare	Distancia en pies del circuito de la Derivación		
			0-50 Ft.	50 - 100 ft.	
3/4	15 AMP	115/60/1	No. 14	No. 14	Minutos de Servicio (min. Service)
1	15 AMP	115/60/1	No. 12	No. 12	Cable (Wire)
1-1/2	20 AMP	115/60/1	No. 12	No. 10	Medida (Size)
1-1/2	15 AMP	230/60/1	No. 14	No. 14	Para del motor (To Motor)

**⚠ ADVERTENCIA**

**Obstrucción en las cubiertas de drenaje (Succión Fittings) puede causar graves lesiones o lesiones fatales debido a ahogarse. Para reducir el riesgo de graves lesiones, no deje que los niños operen o hagan funcionar este producto.**

**⚠ ADVERTENCIA**

**Nunca trabaje en la bomba cuando la bomba esta operando o trabajando o este conectada a el poder eléctrico. Alto voltaje puede causar graves lesiones o fatalidad. Un interruptor de tierra "Ground Fault Interrupted (GFCI)" apropiado tiene que estar siempre instalado en la raíz o fuente de energía eléctrica de esta unidad. Asegúrese de que el motor este conectado a un interruptor de tierra antes de ser conectado a el sobretensión de corriente "(AC) power supply". Si el motor no tiene paso a la tierra esto puede causar lesiones serias o fatales por electrocución. La negligencia de instalar un interruptor de tierra "Ground Fault Interrupted (GFCI)" conectado al motor puede causar riesgos o peligros graves o fatales de choques electricos. No utilice un interruptor de tierra a la línea que suministra gas.**

18. Use una tuerca de tierra sobre el marco del motor y todas las partes metálicas de la piscina, balneario, toda la estructura del equipo eléctrico, tubo de metal, y toda las tuberías metálicas con conductor sólido de cobre no menos de número 8 A.W.G.
19. El motor de la bomba tiene que tener los cables necesarios para un voltaje apropiado de acuerdo con el diagrama de cables proporcionado o proveído con el motor. Note: Usando cables para el motor con incorrecto suministro de voltaje puede dañar el motor y anular la garantía.
20. La instalación eléctrica para el motor tiene que mantenerse lo pequeño o corto posible y lo suficientemente larga para que NO cause una caída de un excesivo voltaje que puede causar daños a la bomba. Use la gráfica de arriba como una guía para asegurarse de que el voltaje adecuado es suministrado a la bomba.
21. **Este producto debe ser suministrado con un cable de 6 ft. 3in. con boquilla de prueba. Este cable es suministrado o proveído para su conveniencia de ayudarlo a inspeccionar que la bomba este funcionando y operando antes de que el sistema sea instalado a la piscina. Este cable de prueba NO debe ser usado como una conexión permanente. Cuando examine que la bomba esta funcionando, no la deje trabajar o funcionar por más de 30 segundos. Daños mecánicos al sello de la bomba pueden resultar si se trabaja u opera por más de 30 segundos.**

**⚠ ADVERTENCIA**

**UNIDAD PARA CABLES Y CONEXIÓN DE ENCHUFES**



**Riesgo de choque eléctrico:**

**Solo conecte a un receptáculo de tipo o clase de tierra protegido por el interruptor de tierra (GFCI) "Ground Fault Circuit Interrupter". Si usted no puede verificar que el receptáculo es protegido por el interruptor de tierra contacte a un electricista calificado.**

**No entierre los cables. Localice los cables para minimizar el abuso de cortacéspedes, tijeras de podar, y otros equipos.**

**Para reducir el riesgo de un choque eléctrico, reemplace cables dañados inmediatamente.**

**Para reducir el riesgo de un choque eléctrico, No use una extensión eléctrica para conectar la unidad al suministro eléctrico; proveer o localizar una toma de corriente adecuada.**

## Section 3

### Operación y Mantenimiento

#### Comienzo Inicial

1. Limpie una piscina nueva antes de llenarla de agua. Excesiva tierra o lodo y grandes partículas pueden causar daños a la bomba y al sistema del filtro de arena.
2. Inspeccione que la apertura de la limpieza de reversa ("Backwash") este abierta para que el agua salga libremente de la piscina y que la corriente salga por la línea de limpieza de reversa ("Backwash"). Seleccione la válvula de control en la posición de limpieza de reversa ("Backwash").

#### **▲ PELIGRO**



Este filtro funciona bajo presión. Con la válvula conectada apropiadamente y operada sin aire en el sistema, este filtro puede funcionar de un modo seguro. Aire que entra el filtro y a la válvula cuando no esta conectada correctamente puede causar que la válvula se separe, esto puede causar graves lesiones personales y/o daños a la propiedad.

#### **▲ ADVERTENCIA**

Siempre apague la bomba antes de cambiar posiciones de válvula. Cambiar posiciones de válvula cuando la bomba esta funcionando puede dañar la válvula de control, esto puede causar graves lesiones o daños a la propiedad.

3. Asegurese que la reserva de la bomba este llena de agua antes de encender la bomba. Mantenga todas las ventanillas de aire debajo del motor (o anexas al motor) abiertas y libres de escombros para asegurarse del apropiado enfriamiento del motor.
4. Inspeccione que la abrazadera de válvula este apropiadamente ensamblada en el filtro. Nota: Si no esta seguro, vea las instrucciones bajo la seccion de "Instalación" de este manual.
5. Abra la válvula manual de aire en el filtro. **ALEJESE DEL FILTRO** y prenda o empiece la bomba, dandole tiempo para que funcione de primera calidad. **Nota: Instale los controles electricos (e.g., interruptor de prendido/apagado, minutero automatico, sistema de control, etc.) por lo menos cinco (5) pies de separación del filtro. Esto le dara suficiente espacio para estar lejos del filtro durante el comienzo o inicio del funcionamiento del sistema.**

6. Cierre la válvula manual de aire en el filtro cuando un estable o continuo chorro emerge o aparezca. **Nota: El Filtro de Arena de piscina es típicamente prelavado y no requiere de un lavado de reversa extenso. Sin embargo el proceso de envío puede causar excivas raspaduras que pueden requerir de un ciclo extensivo de limpieza de reversa ("Backwash") para su comienzo inicial; continúe la limpieza de reversa ("Backwash") por tres (3) minutos.**
7. Pare la bomba. Fije la válvula en la posición del filtro.
8. Asegurese que toda succión y líneas de retorno de agua de la piscina estén abiertas para que el agua libremente venga y regrese a la piscina.
9. Abra la válvula manual de aire en el filtro. **ALEJESE DEL FILTRO y prenda o empiece la bomba.**
10. Cierre la válvula manual de aire en el filtro cuando un chorro de agua continuo emerge o salga.
11. El filtro a empezado ahora su ciclo de filtración. Asegurese que el agua este regresando a la piscina y tome nota de la presión operacional o de funcionamiento cuando el filtro esta limpio.

La presión original es \_\_\_\_\_ PSI con el filtro

**▲ ADVERTENCIA**

Para prevenir daños al equipo y posibles lesiones, siempre apague la bomba antes de cambiar la posición de la válvula.

## Mantenimiento

Cuidado apropiado y mantenimiento de la bomba y el sistema del filtro de arena le añadira muchos años de placer a su piscina. Siga estas sugerencias para un largo y libre de problemas en el funcionamiento de su piscina.

1. Para limpiar el exterior de la bomba y el sistema del filtro de arena de polvo y basura, lavelos con agua y un detergente moderado y despues rieuelos con manguera. No use solventes.
2. Si el interior del filtro requiere mantenimiento, la arena debera ser removida quitando toda la alcantarilla y sus tuberias de la parte de abajo del filtro y rieuelos con una manguera de jardin.
3. El filtro es una basija de presión y nunca debera darsele servicio bajo presión. Siempre disminuya la presión del tanque y abra la válvula de aire manual del filtro antes de empezar de darle servicio al filtro.

4. Cuando reanude o empiece de nuevo el filtro siempre abra la válvula manual de aire y ALEJESE DEL FILTRO.
5. El colador de canasta en la bomba debe ser inspeccionado y limpiado dos (2) veces por semana. Remueva la tapadera entera de la canasta, y limpie los escombros acumulados en la canasta. Inspeccione el o-anillo de la tapadera; si esta dañado, reemplazelo. El sello de la bomba no requiere lubricacion. El motor de la bomba solamente debera darsele servicio por un centro de servicio de motores.

## Limpieza

1. El filtro de una nueva piscina debera ser limpiado de reversa ("Backwash"), y limpiado despues de 48 horas de funcionamiento para limpiar basura de construccion acumulada. Hay tres (3) maneras diferentes para identificar cuando el filtro necesita limpieza de reversa ("Backwash"):
  - a) El indicador más preciso de un sistema de piscina con un medidor de corriente es una limpieza de reversa ("Backwash") y cuando la corriente baja un 30% de la corriente original (filtro limpio). Por ejemplo, si la corriente original fue de 60 GPM, el filtro debe ser limpiado de reversa ("Backwash") cuando la corriente es reducida alrededor de 20 GPM (o 30%) a 40 GPM.
  - b) Un indicador más subjetivo o menos preciso es de observar la cantidad de agua corriendo desde la direccion de la corriente colocada en la pared de la piscina. El filtro debera ser limpiado de reversa ("Backwash") una vez que se haya detectado que la corriente ha sido reducida.
  - c) El más comúnmente usado pero el menos indicador preciso de limpieza de reversa ("Backwash") es cuando la interpretación del calibrador sube 10 psi sobre la interpretación inicial (filtro limpio).
2. Es importante de no limpiar de reversa ("Backwash") el filtro unicamente en tiempos de base como cada tres (3) dias. Tambien es importante hacer notar que si limpia de reversa ("Backwash") el filtro frecuentemente realmente puede causar una mediocre filtración. Factores como las condiciones del clima, fuerte lluvia, polvo y polen, y la temperatura de agua afectan la frecuencia de la limpieza de reversa ("Backwash"). Con el uso de su piscina, usted sera consciente de estas influencias.

## Procedimiento de Limpieza de Reversa ("Backwash") del Filtro

### ADVERTENCIA

Para evitar equipo dañado y posibles lesiones, siempre apague la bomba antes de cambiar la posición de la válvula.

1. Apague la bomba.
2. Asegurese de que las líneas de succión y de limpieza de reverso ("Backwash") estén abiertas para que el agua pase libremente de la piscina y la corriente salga por la línea de la limpieza de reversa ("Backwash"). Coloque la válvula en la posición de limpieza de reverso ("Backwash").
3. **ALEJESE DEL FILTRO** e inicie la bomba.
4. Limpie de reversa ("Backwash") el filtro por aproximadamente tres (3) minutos o hasta que el agua de la limpieza de reversa ("Backwash") salga limpia.
5. Apague la bomba y fije la válvula en la posición de enjuague ("Rinse").
6. **ALEJESE DEL FILTRO** e inicie la bomba.
7. Enjuague el filtro por aproximadamente 30 minutos.
8. Apague la bomba y fije la válvula en la posición del filtro ("Filter").
9. Asegurese que la línea de regreso de la piscina esté abierta para que la corriente de agua pase liberamente desde el filtro y de regreso a la piscina.
10. Abra la válvula manual del filtro. **ALEJESE DEL FILTRO** e inicie la bomba.
11. Cierre la válvula manual del filtro cuando un estable chorro de agua salga de la válvula manual.
12. El filtro a empezado ahora el ciclo de filtracion. Asegurese de que el agua esté regresando a la piscina y tome nota de la presión del filtro.
13. La presión del filtro en el paso de arriba número 12 no puede pasarse de la presión original observada al inicio del funcionamiento del filtro. Si después de la limpieza de reverso ("Backwash"), la presión es de 4 a 6 psi o arriba de la condición inicial será necesario de limpieza química de la cama de arena.



## Limpieza Con Sustancias Quimicos

1. Se recomienda el uso de limpiador de filtro estándar de la industria, proveedores atpool disponibles. Estos limpiadores eliminan aceite, sarro u óxido y corrosión de la cama de arena en un ciclo de limpieza.  
Estos limpiadores eliminan aceite, sarro u óxido y corrosión de la cama de arena en un ciclo de limpieza.
2. Mezcle los ingredientes siguiendo las instrucciones del fabricante en la etiqueta.
3. Limpie de reversa ("Backwash") el filtro con la válvula como se describe arriba.
4. Si el filtro esta por debajo del nivel de la piscina, apague la bomba y cierre las válvulas apropiadamente para evitar desagüe o drenaje de la piscina.
5. Apague la bomba, abra la alcantarilla del filtro y deje que el filtro se vacie, y coloque la válvula en la posición de limpieza de reversa ("Backwash").
6. Despues de que el filtro este vacio, cierre la alcantarilla del filtro y quite la tapadera de la canasta del colador de la bomba.
7. Asegurese que la línea de la limpieza de reversa ("Backwash") este abierta.
8. Prenda la bomba y despacio eche o derrame la solucion de limpieza dentro del colador de la bomba con la bomba funcionando o trabajando. Si el filtro esta debajo del nivel de la piscina, abra la válvula de cerrar poco a poco o ligeramente para permitir que la bomba funcione.
9. Continúe añadiendo solución hasta que la cama de arena este saturada con solución de limpieza.
10. Apague la bomba y deje el filtro en la posición de limpieza de reversa ("Backwash"). Deje el filtro en esa posición durante la noche (12 horas).
11. Reemplaze la tapadera de la bomba y siga las instrucciones de la limpieza de reversa ("Backwash") como se describe en la parte de arriba.
12. No permita que la solución de limpieza entre dentro de la piscina.

## Reemplazo de la tapadera de la bomba y del desviador ("Diverter")

Si la válvula de control del filtro deja de trabajar apropiadamente, usualmente este problema se corrige con sustituir la tapadera y el ensamble el desviador ("Diverter") como se describe más abajo.

1. Apague la bomba y abra la válvula manual de aire para disminuir toda la presión interna.
2. Fije la palanca de la válvula en la posición de invierno ("Winterizing").
3. Remueva o quite los seis (6) tornillos, tuercas, y el anillo de metal o roscas.
4. Levante la tapadera de la válvula y ensamble del desviador ("Diverter"). **Note: El ensamble de la válvula del desviador ("Diverter") tiene un sello empacado adjunto al desviador ("Diverter"). Cuando maneje el desviador use cautela o precaucion para evitar que la superficie del sello se dañe durante su manejo.**
5. Limpie la superficie del cuerpo sellado de la válvula con un trapo o paño de tela limpio y suave. Inspeccione la superficie por daños, raspaduras y abolladuras. Si la superficie esta dañada, la superficie o el cuerpo de la válvula tiene que ser sustituida o reemplazada.
6. Cuidadosamente lubrique el nuevo repuesto de tapadera de la válvula y el anillo (O-Ring) con un lubricante con base de silicona o con agua de jabón. NO use vaselina o un lubricante con base de petroleo.

### **⚠ ADVERTENCIA**

**Incorrecto ensamble de la válvula del tanque puede causar que la válvula se separa y cause graves lesiones y daños a la propiedad.**

7. Coloque la nueva manija de la válvula en la posición de invierno ("Winterize"). Instale la nueva tapadera de válvula y ensamble el desviador ("Diverter"). Asegure de que el pequeño nicho o hueco en la tapadera y el pequeño bulto en el cuerpo de la válvula esten alineados. Instale todos los seis (6) tornillos con sus anillos de metal de reserva debajo de la cabeza de los tornillos. Instale las tuercas en cada uno de los tornillos y apriete los con sus dedos en todos los seis (6) tornillos. Los tornillos deben de ser apretados progresivamente y apretados diametricalmente opuestos y siguiendo un patron o un diseño cruzado. Apriete y ajuste todos los seis (6) tornillos colocados en la tapadera de la válvula. NO LOS SOBREPRIETE.

## Sistema de Invierno ("Winterizing")

### **⚠ PRECAUCIÓN**

**Permitir o dejar que el agua se convierta en hielo adentro del sistema, dañara el sistema y puede causar daños de agua/ inundación y posible daños a la propiedad.**

1. En áreas donde las temperaturas llegan a un punto de congelación durante el invierno, proteja el equipo de la piscina con una limpieza de reverso ("Backwash") del filtro.
2. Después de la limpieza de reverso ("Backwash"), apague la bomba, abra la válvula de aire manual y mueva la manivela o palanca en la posición para el invierno ("Winterize").
3. Remueva la tapadera de la alcantarilla o drenaje debajo del filtro. El filtro se escurra o desagüe muy despacio. Durante la temporada del cierre de la piscina, se recomienda dejar el drenaje desconectado.

### **⚠ PRECAUCIÓN**

**Durante la temporada de cierre la válvula de control debe dejarse en la posición de invierno ("Winterize") para que el sello de goma del desviador ("Diverter") de la válvula no tenga ninguna presión. Negligencia de hacer esto puede dañar la válvula del desviador ("Diverter") y puede causar daños a la propiedad como una gotera.**

4. Saque toda el agua del sistema de la caja y la tubería cuando usted anticipe temperaturas de congelamiento. Quite las dos conexiones de drenaje de la bomba para dejar que la bomba se escurra o desagüe completamente.
5. Si es posible, quite la bomba y pongala o colóquela adentro de un lugar limpio y seco.
6. Para una locación afuera y desprotegida es mejor que proteja el equipo con un encierre a prueba del tiempo.
7. Es recomendable de cubrir el equipo con una lona alquitranada o una lona de plástico para impedir deterioro por el medio ambiente. **NO ENVUELVA EL MOTOR DE LA BOMBA CON PLÁSTICO**, esto causara que se forme condensación adentro del motor.
8. En instalaciones donde la bomba no puede ser vaciada un 40% Propylene Glycol 60% water solution (solución de agua) protegera hasta -50° F (-45.5° C). **Nota: No use soluciones "anti-freeze" excepto Propylene Glycol; porque otros "anti-freeze" son muy tóxicos y van a dañar la bomba.**

## Guía para la identificación de problemas

PROBLEMA	CAUSA	SOLUCION
El agua de la piscina no está lo suficientemente limpia.	<ol style="list-style-type: none"> <li>1. La química de la piscina no es adecuada para inhibir o impedir el crecimiento de algas.</li> <li>2. Limpieza de reversa ("Backwash") muy frecuente.</li> <li>3. Incorrecta cantidad de arena o tamaño equivocado.</li> <li>4. Giro de velocidad inadecuado del ciclo del agua de la piscina.</li> </ol>	<p>Darle mantenimiento a la piscina con sustancias químicas o consulte a un técnico de servicio.</p> <p>Permita que la presión se acumule a 10 psi sobre la condición del filtro limpio antes de hacer una limpieza de reversa ("Backwash").</p> <p>Inspeccione la profundidad de la cama de arena y el tamaño de la arena o consulte con el técnico de servicio de la piscina.</p> <p>Haga funcionar el sistema por un tiempo más largo o consulte con el distribuidor o con el técnico de servicio de la piscina.</p> <p>Haga o realice una limpieza de reversa ("Backwash") hasta que el chorro de agua salga transparente.</p> <p>Limpie el filtro con sustancias químicas.</p> <p>Abra la válvula o remueva la obstrucción en la tubería de retorno.</p>
Alta presión del filtro.	<ol style="list-style-type: none"> <li>1. Insuficiente Limpieza de reversa ("Backwash").</li> <li>2. La cama de arena tapada con depósitos minerales.</li> <li>3. Válvula parcialmente cerrada o restringida.</li> </ol>	<p>Lave por corriente hasta que el chorro de agua salga transparente.</p> <p>Darle mantenimiento a la piscina con sustancias químicas o consulte con el técnico de servicio de la piscina.</p> <p>Manualmente quite una 1 in. de la superficie superior de la cama de arena y haga una limpieza de sustancias químicas según sea necesario.</p> <p>Restrinja o limita la corriente de la capacidad del filtro.</p>
Ciclos cortos del filtro.	<ol style="list-style-type: none"> <li>1. Incorrecta Limpieza de reversa ("Backwashing").</li> <li>2. La química de la piscina no es adecuada para inhibir o impedir el crecimiento de algas.</li> <li>3. La cama de arena está tapada o atacada.</li> <li>4. La velocidad de la corriente es demasiado alta.</li> </ol>	<p>Limpie el canasto en el colador.</p> <p>Desmonte o desarme y limpie la bomba.</p> <p>Limpie la canasta de la espumadora ("Skimmer"). Remueva la obstrucción en las tuberías.</p> <p>Abra las válvulas en la tubería de succión.</p>
La corriente de regreso a la piscina disminuida, baja presión del filtro.	<ol style="list-style-type: none"> <li>1. Obstrucción en el colador de la bomba de pelusa y cabello.</li> <li>2. Obstrucción de la bomba.</li> <li>3. Obstrucción en la tubería de succión a la bomba.</li> </ol>	<p>Reponga o sustituya el lateral dañado o roto.</p> <p>Reduzca la velocidad de la corriente de limpieza de reversa ("Backwash").</p>
Arena de regreso a la piscina.	<ol style="list-style-type: none"> <li>1. Lateral debajo del drenaje quebrado.</li> <li>2. Velocidad de limpieza de reversa ("Backwash") demasiado alta.</li> </ol>	

---

**Información técnica y partes de Repuesto****Nota**

Por favor mire la información técnica y lista de partes de replazo específicamente para su filtro.

## Notas

## Notas



1620 HAWKINS AVE., SANFORD, NC 27330 • (919) 566-8000  
10951 WEST LOS ANGELES AVE., MOORPARK, CA 93021 • (805) 553-5000

[WWW.PENTAIR.COM](http://WWW.PENTAIR.COM)

Todas las marcas comerciales y logos de Pentair son propiedad de Pentair, Inc. Pentair Aquatic Systems® son marcas comerciales y/o marcas registradas de Pentair Pool and Spa, Inc. y/o sus empresas asociadas en Estados que conste expresamente, los nombres haber sido utilizados en este documento no indican una asociación o respaldo propietarios de estos nombres comerciales y marcas y Pentair Water Pool and Spa, Inc. Esos nombres comerciales o marcas pueden ser marcas comerciales o marcas registradas de estos terceros. Debido a que estamos constantemente mejorando nuestros productos y servicios, Pentair se reserva el derecho de modificar las especificaciones sin previo aviso. Pentair es un empleador que ofrece igualdad de oportunidades.

© 2021 Pentair. Todos los derechos reservados. Este documento está sujeto a cambios sin previo aviso.

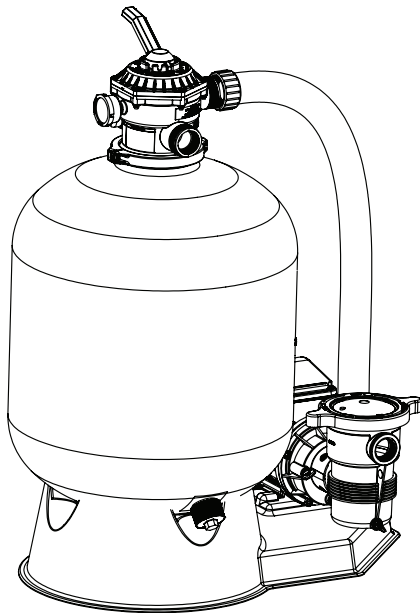


P/N 152007 REV.D 10/21/21





# SYSTÈME DE FILTRATION À SABLE



## GUIDE D'INSTALLATION ET D'UTILISATION

CONSIGNES DE SÉCURITÉ IMPORTANTES  
VEUILLEZ LIRE ET SUIVRE ATTENTIVEMENT TOUTES LES CONSIGNES  
VEUILLEZ CONSERVER CES CONSIGNES

## Soutien technique

Sanford, Caroline du Nord (8 h à 17 h HNE)

Moorpark, Californie (8 h à 17 h HNP)

Tél. : 1-800-831-7133

Télec. : 1-800-284-4151

Visitez [www.pentair.com](http://www.pentair.com)

### Table des matières

<b>Mises en garde et consignes de sécurité .....</b>	<b>i</b>
<b>Section 1: Vue d'ensemble du système de filtration à sable.....</b>	<b>1</b>
VRéglages de la vanne de régulation et direction du flux .....	2
<b>Section 2: Installation .....</b>	<b>3</b>
<b>Section 3: Fonctionnement et Entretien .....</b>	<b>10</b>
Mise en service initiale .....	10
Entretien .....	11
Nettoyage .....	12
Procédure de lavage à contre courant.....	13
Nettoyage chimique.....	14
Remplacement de l'ensemble de la vanne de régulation et de dérivation...	15
Hivernage du système de filtration.....	16
<b>Section 4: Dépannage .....</b>	<b>17</b>
<b>Section 5: Fiche technique et pièces de rechange .....</b>	<b>17</b>

# MISES EN GARDE ET CONSIGNES DE SÉCURITÉ



**UNE INSTALLATION INCORRECTE DE LA POMPE ET DU FILTRE PEUT ENTRAÎNER DES BLESSURES GRAVES OU VOIRE MORTELLES.**



**LES INSTALLATEURS, UTILISATEURS ET PROPRIÉTAIRES DE LA PISCINE DOIVENT LIRE TOUTES LES MISES EN GARDE ET LES INSTRUCTIONS AVANT D'UTILISER LA POMPE ET LE FILTRE À SABLE**



Le système de filtration à sable est conçu pour les piscines.



La plupart des instances municipales règlementent la construction, l'installation et le fonctionnement des piscines et des spas publics et privés.

Il est important de se conformer à ses règlements, dont plusieurs régissent l'installation et l'utilisation de ce produit. Vérifier auprès des autorités locales pour plus d'informations sur les exigences concernant le Code du bâtiment.



**AVIS IMPORTANT - À l'intention de l'installateur : Ce guide contient d'importantes informations sur l'installation, le fonctionnement et les mesures de sécurité de ce produit. Ce guide doit être remis au propriétaire et/ou à l'opérateur de cet équipement après l'installation.**



Avant d'installer ce produit, veuillez lire et suivre toutes les mises en garde et les consignes du guide. Le non-respect des mises en garde et des consignes peut entraîner d'importantes blessures, la mort ou des dommages matériels. Pour des copies supplémentaires gratuites de ce guide, veuillez appeler au 1-800 831-7133. Pour plus de renseignements sur ces produits, veuillez consulter le site Web [www.pentair.com](http://www.pentair.com).



Il peut être dangereux pour la santé de se plonger dans de l'eau à plus de 37,7 °C (100 °F). L'immersion prolongée en eau chaude peut causer l'hyperthermie. L'hyperthermie a lieu lorsque la température corporelle interne atteint plusieurs degrés au dessus de la température normale de 37 °C (98,6 °F). Les effets de l'hyperthermie incluent : (1) L'incapacité de prendre conscience du danger; (2) L'insensibilité à la chaleur; (3) L'incapacité de reconnaître le besoin de sortir du spa; (4) L'incapacité physique de sortir du spa; (5) Le risque élevé de dommages pour le fœtus chez les femmes enceintes; (6) La perte de conscience et le risque de noyade. La consommation d'alcool ou de drogue augmente considérablement les risques d'hyperthermie mortelle dans les cuves.

La température travaillant maximum d'eau pour ce filtre est 95 ° F (35 ° C).



Afin de réduire le risque de blessures, ne pas permettre aux enfants de faire fonctionner le filtre à sable.



Lors du réglage du taux de renouvellement ou du débit de l'eau, l'opérateur doit prendre en compte les règlements municipaux concernant le taux de renouvellement ainsi que le coefficient de répartition de désinfectant.



**NE PAS** augmenter la puissance de la pompe, car cela pourrait avoir comme effet d'augmenter le débit de l'eau circulé par le système et dépasser le débit maximum recommandé indiqué sur le couvercle de drain.



Si le filtre à sable doit être utilisé dans un contexte autre que pour une habitation unifamiliale, un interrupteur d'urgence bien identifié doit être installé. L'interrupteur doit être facilement accessible et doit être à proximité et visible du filtre, tout en étant à au moins 1,52 m (5 pi).

## MISES EN GARDE ET CONSIGNES DE SÉCURITÉ



L'air sous pression du filtre peut occasionner une séparation du couvercle supérieur pouvant entraîner des blessures sérieuses ou des dommages matériels.  
 Délester la pression et lire les instructions avant d'intervenir sur filtre. Si le collier est ajusté lorsque le filtre est sous pression cela peut entraîner une séparation du couvercle supérieur pouvant entraîner des blessures sérieuses ou des dommages matériels.



**AVANT D'INTERVENIR SUR LE FILTRE.**

- (1) Arrêtez la pompe.
- (2) Ouvrez la soupape de surpression.
- (3) Libérez toute la pression à l'intérieur du système.



**RISQUE DE DÉCHARGE ÉLECTRIQUE OU D'ÉLECTROCUTION :**  
**POUR FONCTIONNER, LA POMPE REQUIERT UNE TENSION ÉLEVÉE QUI POURRAIT CAUSER DES CHOCS ÉLECTRIQUE, DES BRÛLURES OU LA MORT**  
**AVANT D'INTERVENIR SUR LE FILTRE.**  
**AVANT DE COMMENCER L'ENTRETIEN DE LA POMPE, COUPEZ TOUJOURS LE COURANT ÉLECTRIQUE DE LA POMPE AU NIVEAU DU DISJONCTEUR. LE NON-RESPECT DE CETTE CONSIGNE PEUT ENTRAÎNER LA MORT OU DES BLESSURES GRAVES PAR DÉCHARGE ÉLECTRIQUE POUR LE TECHNICIEN, LES UTILISATEURS OU DES TIERS.**



Une pompe pour piscine ou pour spa doit être installée par un technicien spécialisé, conformément au Code national d'électricité et à tous les codes et règlements locaux en vigueur. Toute mauvaise installation crée un danger électrique pouvant causer la mort par décharge électrique ou des blessures graves aux utilisateurs, aux installateurs ou à des tiers, et pouvant également provoquer des dégâts matériels.



Une pompe mal calibrée, mal installée ou utilisée dans une application autre que pour celle prévue peut entraîner des blessures graves ou la mort. Ces risques incluent entre autres les décharges électriques, l'incendie, l'inondation, l'aspiration, les blessures graves ou des dommages matériels entraînés par une défaillance de la structure de la pompe ou d'une autre composante du système.



**Ne pas dépasser le débit maximum recommandé de la pompe.**



Utiliser uniquement la pompe recommandée pour le débit nominal indiqué. LE NON-RESPECT DE CETTE CONSIGNE PEUT ENTRAÎNER DES RISQUES D'ASPIRATION DES CHEVEUX OU DU CORPS ET CAUSER DES BLESSURES GRAVES OU LA MORT. Si vous ne connaissez pas le débit maximum recommandé pour votre système, veuillez vous adresser à un technicien qualifié en piscines.

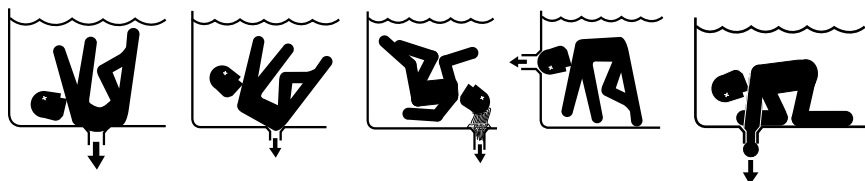
## MISES EN GARDE ET CONSIGNES DE SÉCURITÉ

### ⚠️ AVERTISSEMENT

Il n'y a pas de substitut possible pour un couvercle de drain adéquatement installé. Un couvercle anti-aspiration conforme à la plus récente version de la norme A112.19.8 de ANSI/ASME doit être utilisé sur chaque drain. Les piscines et les spas doivent avoir un minimum de deux drains par pompe. Inspectez régulièrement les couvercles pour des fissures, dommages ou de l'usure. Si le couvercle devient lâche, fissuré, endommagé ou manquant, bloquez l'accès à la piscine ou au spa, fermez la pompe et placez un avis comme quoi la piscine ou le spa sera fermé jusqu'à ce qu'un couvercle de drain conforme à VGB 2008 soit adéquatement installé. Les couvercles de drain peuvent se détériorer avec le temps à cause de l'exposition au soleil et les produits d'entretien de la piscine. Ce couvercle de drain doit être remplacé sept (7) ans suivant la date d'installation, ou avant s'il devenait endommagé.

### ⚠️ DANGER

#### RISQUE D'ASPIRATION



**Les pompes pour piscines et spas peuvent aspirer un grand volume d'eau, cela représente un risque d'aspiration des cheveux s'ils viennent à proximité d'un orifice d'aspiration qui n'est pas conçu pour la puissance de la pompe ou des pompes.**

**Coincement des cheveux** - Lorsque les cheveux s'emmêlent dans le couvercle du drain, maintenant la tête du nageur sous l'eau. Ce risque est présent lorsque le débit de l'eau du couvercle est trop petit pour la pompe ou les pompes.

**Coincement d'un membre** - Lorsqu'un membre est aspiré ou inséré dans un orifice entraînant un blocage mécanique ou un enflement. Ce risque est présent lorsqu'un couvercle de drain est manquant, endommagé, lâche, fissuré ou incorrectement fixé.

**Coincement du corps** - Lorsqu'une partie du corps est retenue contre le couvercle du drain, maintenant la tête du nageur sous l'eau. Ce risque est présent lorsqu'un couvercle de drain est manquant, endommagé, ou lorsque le régime nominal du couvercle de drain est insuffisant pour la pompe ou les pompes.

**Éviscération** - Lorsqu'une personne s'assoit sur un orifice de piscine ou de spa ouvert (particulièrement une pataugeoire) et que la force d'aspiration est exercée sur les intestins, entraînant des blessures graves aux intestins. Ce risque est présent lorsqu'un couvercle de drain est manquant, lâche, fissuré ou incorrectement fixé.

**Coincement mécanique** - Lorsqu'un bijou, un maillot de bain, un accessoire pour cheveux, un doigt, un orteil ou une jointure sont coincés dans un orifice ou dans le couvercle de drain. Ce risque est présent lorsqu'un couvercle de drain est manquant, endommagé, lâche, fissuré ou incorrectement fixé.

## MISES EN GARDE ET CONSIGNES DE SÉCURITÉ

La U.S. **Virginia Graeme Baker Pool and Spa Safety Act** impose certains nouveaux règlements aux propriétaires et opérateurs de piscines et de spas. Les piscines et spas fabriqués après le 20 décembre 2008 doivent être muni de :

- (A) Aucune sortie d'aspiration submergée, un système de drainage par gravité doté de couvercles de drain conforme à la norme ASME/ANSI, une ou plusieurs sorties antiblocage; ou
- (B) Un système à drains multiples sans capacité d'isolation doté de couvercles de drain conforme à l'article A112.19.8 de la norme ASME/ANSI Suction Fittings for Use in Swimming Pools, Wading Pools, Spas, and Hot Tubs (Raccords de succion pour piscines, pataugeoires, spas, cuves thermales et bains tourbillons); et
  - (i) Un système casse-vide de sécurité conforme à l'article A112.19.17 de la norme ASME/ANSI Manufactured Safety Vacuum Release Systems (SVRS) for Residential and Commercial Swimming Pool, Spa, Hot Tub, and Wading Pool Suction Systems (Système casse-vide de sécurité pour piscines, pataugeoires, spas, cuves thermales et bains tourbillons résidentiels et commerciales) et/ou à la norme ASTM F2387 Standard Specification for Manufactured Safety Vacuum Release Systems (SVRS) for Swimming Pools, Spas and Hot Tubs; ou
  - (ii) Un système de dégagement d'air de succion adéquat et testé; ou
  - (iii) Un système automatique d'arrêt des pompes.

Les piscines et les spas fabriqués avant le 20 décembre 2008 et dotés d'une seule sortie de succion submergée doivent être pourvus d'un couvercle de drain conforme à l'article A112.19.8 de la norme ASME/ANSI; et

- (A) Un système à drains multiples sans capacité d'isolation; ou
- (B) Un système casse-vide de sécurité conforme à l'article A112.19.17 de la norme ASME/ANSI et/ou à la norme ASTM F2387; ou
- (C) Un système de dégagement d'air de succion adéquat et testé; ou
- (D) Un système automatique d'arrêt des pompes; ou
- (E) Les sorties d'aspiration submergées doivent être mises hors d'usage; ou
- (F) Les sorties d'aspiration doivent être reconfigurées en conduites de retour.

**Pour de plus amples renseignements sur la U.S. Virginia Graeme Baker Pool and Spa Safety Act, contactez la Consumer Product Safety Commission au 301•504-7908 ou visitez le site Web [www.cpsc.gov](http://www.cpsc.gov).**

**REMARQUE : Toujours couper l'alimentation électrique du circuit de circulation de la piscine au niveau du disjoncteur avant de procéder à l'installation du couvercle du drain ou sur tout orifice d'aspiration.**

## Section 1

### Vue d'ensemble du système de filtration à sable

Ce filtre fonctionne sous pression et, s'il est mal monté ou utilisé alors que de l'air est présent dans le circuit d'eau, son couvercle risque de se désolidariser, ce qui peut avoir pour résultat un accident occasionnant des dégâts matériels importants ou blessures graves. Une étiquette d'avertissement a été collée sur le dessus du filtre et doit y rester. Maintenir les étiquettes de sécurité en bon état et les remplacer si elles s'enlèvent ou deviennent illisibles. (Il est possible d'obtenir des étiquettes gratuitement en appelant au 919-774 4151.) Les filtres ne doivent jamais subir des essais à l'air ou au gaz comprimé ni être exposés à ceux-ci. Tous les gaz sont compressibles et, lorsqu'ils sont comprimés, sont dangereux. Des blessures graves ou des dégâts matériels importants peuvent résulter de l'exposition d'un filtre à de l'air ou à du gaz sous pression.

Le système consiste en une pompe centrifuge, un filtre à sable à grande vitesse doté d'une vanne de régulation, un tuyau de raccordement et d'une base de montage. La pompe centrifuge est commandée par un moteur. Celui-ci est accouplé directement au rotor de la pompe. La rotation du moteur provoque celle du rotor, ce qui fait circuler l'eau. Celle-ci coule dans le filtre à cheveux et peluches, puis traverse la crépine où sont retenues les plus grosses particules. L'eau pénètre ensuite dans la partie centrale du carter de la pompe. Elle traverse alors le rotor jusqu'au diffuseur fixe, sort par l'orifice de sortie, puis par le tuyau de raccordement et par la vanne de régulation du filtre. Les impuretés sont recueillies dans le filtre lorsque l'eau traverse la vanne de régulation qui se trouve en haut de celui-ci et sont dirigées vers le bas, jusque sur la surface supérieure du lit de sable. Elles sont recueillies dans le lit de sable et l'eau propre traverse le tuyau inférieur qui se trouve au bas du filtre, puis remonte par le tuyau central pour pénétrer dans la vanne de régulation située en haut du filtre. L'eau propre retourne ensuite à la piscine par la tuyauterie. La pression s'élèvera et le débit vers la piscine s'abaissera au fur et à mesure que les impuretés s'accumulent dans le filtre. Celui-ci finira par être tellement obstrué par ces impuretés qu'il sera nécessaire de procéder à un lavage à contre-courant du filtre. Il est important de savoir quand effectuer cette opération. Pour de plus amples renseignements sur le lavage à contre courant, à la page 12 et 13. Les six (6) positions de fonctionnement et une d'hivernage sont conçues afin de vous fournir toutes les options possibles dans le but de vous permettre d'utiliser, entretenir, de rechercher vous même la cause d'une panne et de le

**⚠ DANGER** Lorsque de l'air entre dans la pompe et que le collier est mal installé, cela peut entraîner une séparation du couvercle supérieur pouvant entraîner des blessures sérieuses ou des dommages matériels.

**⚠ AVERTISSEMENT** Afin d'éviter d'endommager l'équipement ou prévenir de graves blessures, arrêtez toujours la pompe avant de changer la position de la vanne de régulation.

**▲ AVERTISSEMENT**

CE FILTRE EST SOUMIS À UNE HAUTE PRESSION. Lorsque l'on intervient sur l'un ou l'autre des composants du circuit de circulation (p. ex. : bouchon, couvercle, pompe, filtre, robinet(s) etc.), l'air peut pénétrer n'importe où dans le circuit et devenir pressurisé. L'air sous pression peut occasionner une séparation du couvercle supérieur pouvant entraîner des blessures sérieuses, la mort ou l'endommagement du bien. Pour éviter ce danger potentiel, respectez ces instructions :

1. Avant de remettre la (les) vanne(s) en position et avant de commencer le montage, démontage, ou toute autre intervention sur le circuit :

(a) Mettre la pompe sur ARRÊT et mettre HORS SERVICE tout automatisme pour garantir que le système ne soit PAS démarré par inadvertance pendant l'opération d'entretien;

(B) ouvrir le robinet manuel de purge d'air;

(C) attendre jusqu'à ce que toute pression soit évacuée, le manomètre doit lire zéro (0).

2. Lors du montage du couvercle de filtre, RESPECTEZ EXACTEMENT LES INSTRUCTIONS RELATIVES AU COUVERCLE DE FILTRE.

3. Une fois l'intervention sur le circuit terminée, RESPECTER EXACTEMENT LES INSTRUCTIONS DE MISE EN SERVICE.

4. Maintenir le circuit de circulation correctement. Remplacer les pièces usées ou endommagées immédiatement (par exemple : couvercle, manomètre, vanne(s), joints toriques, etc.)

5. S'assurer que le filtre est correctement monté et positionné suivant les instructions fournies.

## Réglages de la vanne de régulation et direction du flux

**FILTER (Filtre):** L'eau passe dans la pompe, par la vanne, descend dans le bas du filtre, puis remonte par le tuyau du centre au tuyau de retour de vanne, puis est à nouveau dans la piscine; pour une filtration normale ou pour le balayage par le filtre.

**BACKWASH (LAVAGE À CONTRE-COURANT) :** L'eau passe dans la pompe, par la vanne, descend le tuyau du centre, remonte par le filtre jusqu'à la vanne et sort par le tuyau d'égout. Cette position sert à nettoyer le filtre en inversant la circulation de l'eau.

**RINSE (RINÇAGE) :** L'eau passe dans la pompe, par la vanne, descend dans le bas du filtre, remonte le tuyau du centre, jusqu'à la vanne et sort par le tuyau d'égout. Cette position sert au nettoyage initial et pour décanter le sable du filtre après le lavage à contre-courant.

**WASTE (ÉGOUTS) :** L'eau passe dans la pompe, par la vanne, contourne le filtre et sort par le tuyau d'égout. Cette position sert au balayage afin de vider directement aux déchets, de baisser le niveau de l'eau ou de vider la piscine.

**CLOSED (FERMÉ) :** PAS DE CIRCULATION - NE PAS UTILISER CE RÉGLAGE LORSQUE LA POMPE DOIT ÊTRE UTILISÉE.

**RECIRCULATING (RECIRCULATION) :** L'eau passe dans la pompe, par la vanne, contourne le filtre, puis remonte le tuyau et retourne vers la piscine. Cette position sert à faire recirculer l'eau en contournant le filtre.

**WINTERIZING (HIVERNAGE) :** Cette position sert à l'hivernage du filtre, reportez-vous à la page 16.



Noter qu'un filtre élimine les particules en suspension, mais n'épure pas la piscine. L'eau doit être épurée et sa composition doit être équilibrée pour qu'elle soit très claire. Le traitement chimique d'une piscine est l'affaire de spécialistes et il convient de consulter un spécialiste local de l'entretien des piscines pour de plus amples renseignements. En règle générale, pour que l'eau d'une piscine soit correctement épurée, elle doit présenter un niveau de chloration de 1 à 2 ppm et un pH compris entre 7,2 et 7,6.

Le système de filtration doit être conçu pour respecter la réglementation sanitaire locale applicable. Au minimum, le système doit renouveler la totalité de l'eau de la piscine au moins deux fois par période de vingt-quatre (24) heures.

**▲ AVERTISSEMENT**

Une non-utilisation de votre système de filtrage ou un filtrage insuffisant peut provoquer un manque de clarté de l'eau gênant la visibilité dans votre piscine. Quelqu'un peut ainsi plonger sur des objets qu'il ne peut voir, risquant de se blesser gravement, voire de se noyer.

## Section 2

### Installation

1. Veuillez lire et respecter toutes les instructions avant de procéder à l'installation, au fonctionnement ou à l'entretien du système de filtration à sable.
2. Prévoyez un accès suffisamment spacieux et bien éclairé pour l'entretien. Positionnez le système de filtration près de la piscine. Reportez-vous à la figure 1 pour une installation typique.

**Remarque : Installez les commandes électriques (c'est à dire les interrupteurs marche/arrêt, les systèmes de régulation, etc.), à au moins 5 pieds (1,5 mètre) du filtre. Ceci vous permet le dégagement nécessaire lors de la mise en marche initiale du système de filtration.**

Les systèmes livrés désassemblés doivent maintenant être assemblés afin de pouvoir continuer l'installation. Reportez-vous aux instructions spéciales A à G.

- A. Assurez-vous que tous les disjoncteurs et les interrupteurs de la pompe sont fermés et que le câble de transmission de la pompe est débranché avant d'installer la base.
- B. Retirez tous les éléments du système des cartons et examinez-les au cas où ils seraient endommagés. Si le carton ou tout élément du filtre est endommagé, avisez-en le transporteur immédiatement.
- C. Placez la base du système par terre près de sa position ultime. Reportez-vous à la figure 1.

**⚠ DANGER**

Ce filtre est soumis à une haute pression. Lorsque la vanne est correctement raccordée et qu'il n'y a pas d'air dans le système, ce filtre fonctionnera en toute sécurité. Lorsque de l'air entre dans le filtre et que le collier est mal installé, cela peut entraîner une séparation du couvercle supérieur pouvant entraîner des blessures sérieuses ou des dommages matériels.

**⚠ AVERTISSEMENT**

Afin d'éviter d'endommager l'équipement ou de prévenir de graves blessures, arrêtez toujours la pompe avant de changer la position de la vanne de régulation.

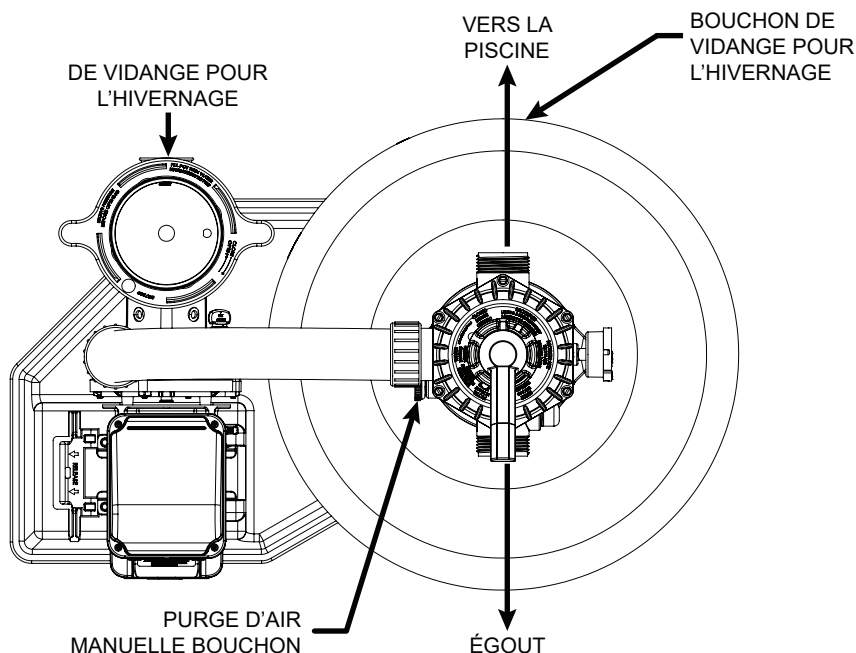
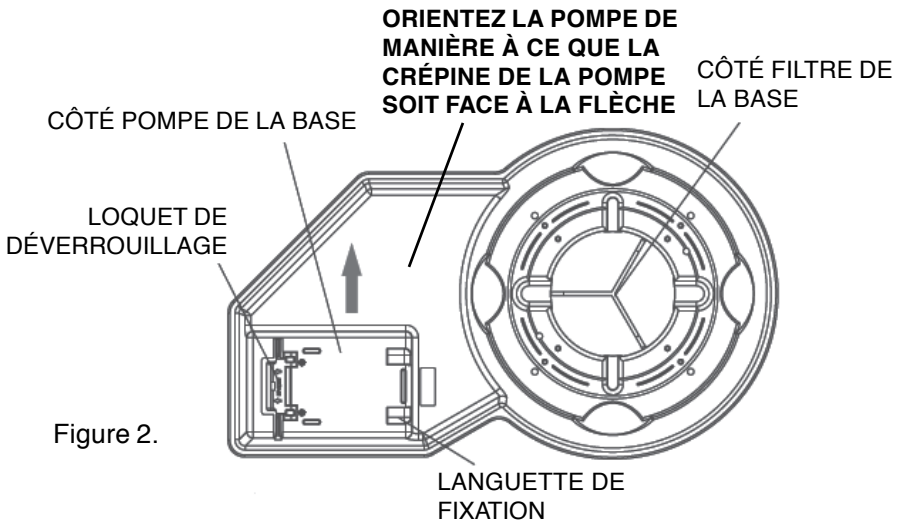


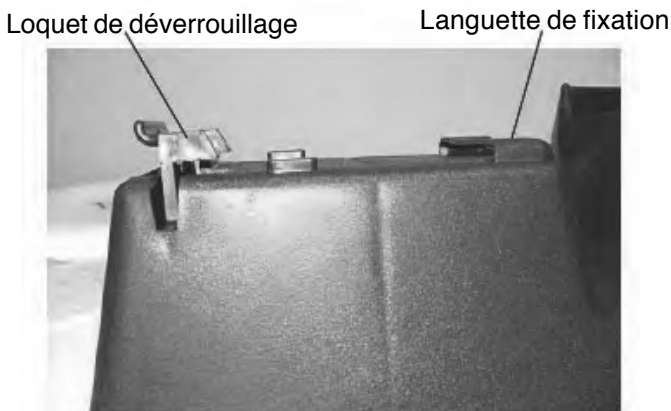
Figure 1.

- D. Examinez le bas du filtre et assurez-vous de l'orientation des petites saillies sur le réservoir.
- E. Alignez les saillies du filtre avec les encoches correspondantes sur la base.

- F. La pompe peut maintenant être fixée sur la base. La pompe doit être orientée comme l'indique la figure 2.



- G. Faites glisser le pied de la pompe entre les languettes de fixation et le loquet de déverrouillage. Reportez-vous à la figure 3. Placez la pompe en appuyant jusqu'à ce que le loquet de déverrouillage clic en place sur le pied de la pompe. Reportez-vous à la figure 4. La pompe doit être positionnée comme l'indique la Figure 5. Installez les deux # 20 x 1-1/4" tire fonds longues à travers les fentes du côté du moteur, dans les deux trous de la base près de la serrure.



- Déplacez maintenant le système à sa position ultime. Le système doit être placé sur une surface dure et au niveau. Une fois rempli de sable et d'eau, le système peut peser plusieurs centaines de livres.

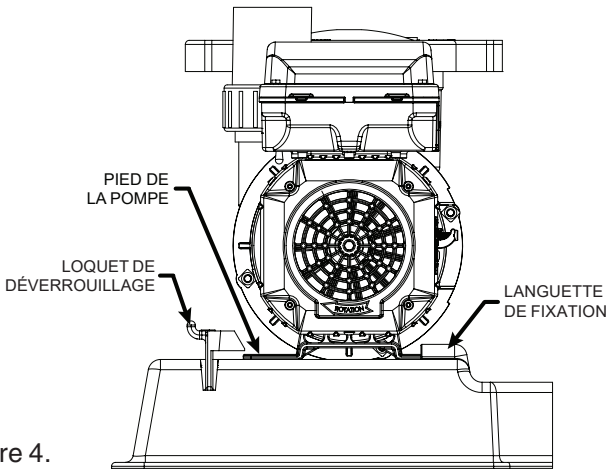


Figure 4.

- Assurez-vous de mettre la quantité de sable recommandé sur la plaque signalétique du filtre. Seulement un sable siliceux n° 20 standard à coefficient d'uniformité maximum de 1,75 doit être utilisé. Le sable siliceux n° 20 a des particules de 0,45 à 0,55 mm (0,018 à 0,022 po) de grosseur. Avant de verser le sable dans le filtre, regardez bien à l'intérieur de celui-ci et vérifiez le ponceau inférieur pour rechercher tout élément latéral (ou doigt) cassé ou desserré, susceptible d'avoir été endommagé accidentellement par une manutention brutale lors du transport. Remplacez toute pièce cassée si nécessaire.
- Installez le guide-sable à la partie supérieure du filtre et videz de l'eau dans le réservoir pour le remplir environ à moitié. Versez doucement le sable dans le filtre de façon à ce que le poids du sable n'endommage pas les éléments latéraux. Une fois le filtre rempli au niveau approprié, retirez le guide-sable et jetez-le. Enlevez le sable qui s'est déposé autour de l'ouverture supérieure du réservoir.

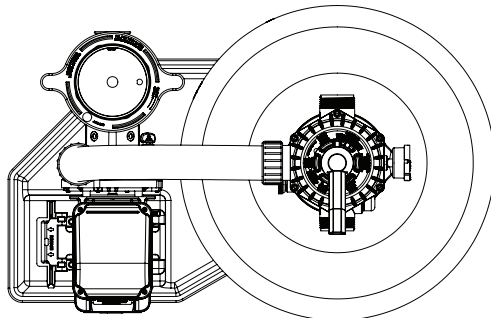


Figure 5.

6. Assurez-vous que le dessus du filtre est libre de tout sable et de débris et que le joint torique est en place sur le corps de vanne. Installez la vanne de manière à ce que les orifices soient dans la position finale désirée. Reportez-vous à la figure 1 de la page 4.
7. Assurez-vous que la vanne est fermement enfoncée dans le couvercle et que la bride du réservoir et la bride de la vanne se touchent. Reportez-vous à la figure 6.

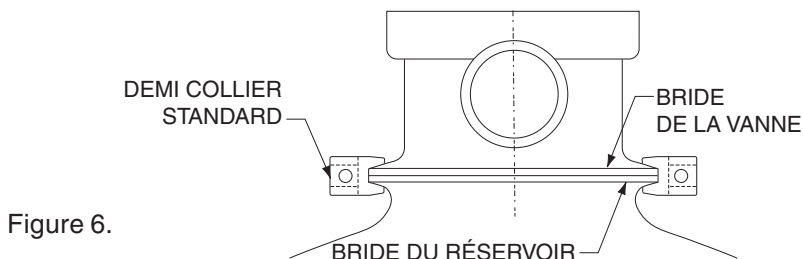


Figure 6.

8. Le collier en plastique peut maintenant être posé. Placez le demi-collier sur la bride de vanne et sur la bride du réservoir comme indiqué à la figure 6. Insérez les vis et écrous dans le demi-collier en vous assurant que les écrous soient situés dans l'emplacement de retenue hexagonal sur les colliers. Reportez-vous à la figure 7.

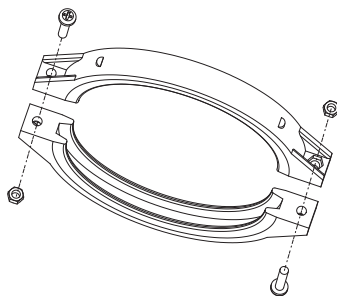


Figure 7.

9. Commencez à serrer les vis de la pince à l'aide d'un tournevis cruciforme. Tapotez l'extérieur de la pince avec un maillet en caoutchouc (ou un outil similaire) pour assurer le serrage uniforme et la position adéquate des moitiés de la pince. Continuez à tapoter et à serrer jusqu'à ce que les extrémités de la pince se touchent. Ne serrez pas au-delà de ce point pour éviter d'endommager les vis ou la pince.

**▲ AVERTISSEMENT**



Haute pression : Un assemblage incorrect de la vanne de réservoir peut entraîner une séparation du couvercle supérieur pouvant entraîner des blessures sérieuses ou des dommages matériels.

10. Les orifices de la vanne sont étiquetés avec leur emplacement, par exemple, l'orifice de la pompe doit être raccordé à l'orifice de sortie de la pompe, l'orifice de vidange doit être raccordé au tuyau d'évacuation et l'orifice de retour doit être raccordé au tuyau de retour à la piscine.
11. La pression maximale recommandée du filtre est inscrite sur la plaque signalétique du filtre. **NE JAMAIS FAIRE** fonctionner cet appareil à une pression supérieure à la pression maximale recommandée de la vanne ou du filtre. Ne jamais brancher le filtre à une pompe pouvant dépasser la pression maximale recommandée de la vanne ou du filtre.
12. Utilisez du mastic d'étanchéité sur tous les accouplements mâles de la tuyauterie et des raccords. N'utilisez que des mastics d'étanchéité adaptés à la tuyauterie en plastique. Soutenez la tuyauterie pour éviter toute contrainte exercée sur le filtre, la pompe ou la vanne. **N'UTILISEZ PAS DE PRODUIT À BASE DE PÉTROLE.** REMARQUE : Tous les embouts internes sont filetés à l'exception de ceux des tuyaux de la purge d'air. Ne serrez pas les raccords filetés outre mesure.
13. Installez le manomètre sur le raccord NPT de ¼ po face à l'orifice de la pompe.
14. N'entreposez jamais les produits chimiques destinés à la piscine à moins de 3 mètres (10 pieds) du filtre, de la pompe ou de la vanne. Ces produits doivent toujours être entreposés dans un endroit frais, sec et bien aéré.



**AVERTISSEMENT** Les vapeurs de produits chimiques et/ou renversements de ceux-ci peuvent corroder gravement les éléments essentiels du filtre et de la pompe. L'affaiblissement structurel de ces éléments peut provoquer un éclatement de la vanne ou des accessoires du filtre et occasionner des blessures graves et/ou dégâts matériels importants.



**AVERTISSEMENT** La pompe centrifuge du système fonctionne sous tension électrique et crée aussi bien une dépression qu'une pression dans le système. Lorsqu'elle est correctement câblée et raccordée, cette pompe fonction en toute sécurité.



**AVERTISSEMENT** Une tension dangereuse peut provoquer de graves blessures, voire la mort. Installez un disjoncteur de fuite à la terre au point de raccordement de cet appareil comme protection supplémentaire. L'article 681-31 du Code national de l'électricité exige qu'un disjoncteur de fuite à la terre soit installé si cette pompe est utilisée avec une piscine démontable.

15. Évitez de trop serrer les extrémités filetées de la tuyauterie lorsque vous branchez des raccords à la pompe. La façon correcte de procéder consiste à appliquer un mastic d'étanchéité pour tuyau au filetage et de serrer à la main, plus un (1) tour. **NE SERREZ PAS OUTRE MESURE.**
16. Le tuyau d'aspiration de la pompe ne doit pas être d'un diamètre inférieur au tuyau qui se trouve sur l'orifice d'entrée de la pompe.
17. Le raccordement électrique de la pompe doit être fait par un technicien spécialisé, conformément au Code national de l'électricité et à tous les codes et règlements locaux en vigueur.

### Disjoncteur recommandé et spécifications de câblage

Moteur en CV	Branchement	Tension/ Intensité/P hase	Distance du branchement		
			0-50 pi.	50-100 pi	
3/4	15 AMP	115/60/1	No. 14	No. 14	Service min.
1	15 AMP	115/60/1	No. 12	No. 12	Câble
1-1/2	20 AMP	115/60/1	No. 12	No. 10	Taille
1-1/2	15 AMP	230/60/1	No. 14	No. 14	Vers moteur

<b>▲ AVERTISSEMENT</b>	<b>L'obstruction des raccords d'aspiration peut provoquer des blessures graves, voire mortelles par noyade. Afin de réduire les risques de blessures, ne pas permettre aux enfants de faire fonctionner ce système.</b>
<b>▲ AVERTISSEMENT</b>	<b>Ne travaillez jamais sur la pompe lorsqu'elle est en marche ou lorsqu'elle est encore sous tension. Une tension dangereuse peut provoquer de graves blessures, voire la mort. Installez un disjoncteur de fuite à la terre au point de raccordement de cet appareil. Assurez-vous de mettre le moteur à la terre avant de le raccorder à une prise secteur. Sinon, il y a un risque d'électrocution grave, voire mortel. NE VOUS SERVEZ PAS d'une canalisation d'alimentation en gaz pour le mettre à la terre.</b>

18. Utilisez la borne sur le dessus du bâti du moteur afin de mettre à la masse le moteur et toutes les parties métalliques de la piscine ou du spa, ainsi qu'à l'ensemble de l'équipement électrique, des tubes isolants métalliques et des tuyaux métalliques avec un fil de cuivre plein de calibre de AWG 8 au minimum.
19. Le moteur de la pompe doit être alimenté à la tension correcte conformément au schéma de câblage qui accompagne le moteur. Remarque : L'alimentation du moteur à une tension incorrecte endommagera celui-ci et annulera la garantie.
20. Le cordon d'alimentation du moteur doit rester aussi court que possible et être d'un calibre suffisant pour NE PAS provoquer une chute de tension excessive. Servez-vous du tableau des calibres de fils pour sélectionner un calibre minimum de fil.
21. Un câble de contrôle à trois broches de 6 pi (1,8 m) peut être inclus avec cet appareil. Ce câble est inclus afin de vous permettre de vérifier le fonctionnement de la pompe avant de raccorder le système à la piscine. Le câble de contrôle NE DOIT PAS être utilisé pour le branchement permanent de l'appareil. Lors de la vérification du fonctionnement de la pompe, ne la faites pas fonctionner plus de 30 secondes. Vous risquez d'endommager le joint mécanique de la pompe si vous faites fonctionner la pompe pendant plus de 30 secondes.

**⚠ AVERTISSEMENT**

**APPAREILS RACCORDÉS PAR CORDON ET FICHE  
RISQUE D'ÉLECTROCUTION :**



Ne brancher cet appareil que sur une prise de courant mise à la terre et protégée par un disjoncteur de fuite à la terre. S'adresser à un électricien qualifié s'il est impossible de vérifier si la prise de courant est protégée par un disjoncteur de fuite à la terre. Ne pas enterrer le cordon d'alimentation. Le placer dans un endroit où il ne pourra pas être endommagé par les tondeuses à gazon, les tailles-haies ou tout autre équipement.

Pour réduire les risques de décharges électriques, tout cordon d'alimentation endommagé doit être immédiatement remplacé.

Pour réduire les risques de décharges électriques, ne pas utiliser de cordon prolongateur pour brancher l'appareil à la source de courant; toujours prévoir une prise de courant adéquatement positionnée.

Section 3

**Fonctionnement et entretien**

**Mise en route initiale**

1. Nettoyez une piscine neuve avant de la remplir d'eau. La présence d'un excès d'impuretés et de grosses particules peut endommager le système de filtration à sable.
2. Vérifiez que le tuyau de lavage à contre-courant n'est pas obstrué, de façon à ce que l'eau puisse librement venir de la piscine et s'écouler par ce tuyau. Placez la vanne de régulation en position de lavage à contre-courant (Backwash).

**⚠ DANGER**



Ce filtre est soumis à une haute pression. Lorsque la vanne est correctement raccordée et qu'il n'y a pas d'air dans le système, ce filtre fonctionnera en toute sécurité. Lorsque de l'air entre dans le filtre et que le collier est mal installé, cela peut entraîner une séparation du couvercle supérieur pouvant entraîner des blessures sérieuses ou des dommages matériels.

**⚠ AVERTISSEMENT**

Afin d'éviter d'endommager l'équipement ou de prévenir de graves blessures, arrêtez toujours la pompe avant de changer la position de la vanne de régulation.

3. Vérifiez que la cuve de la crépine de la pompe est pleine d'eau. Assurez-vous que toutes les prises d'air en dessous du moteur (ou boîtier du moteur) soient libres de débris afin de permettre une circulation d'air adéquate.
4. Vérifiez le serrage du couvercle du filtre. Remarque : Reportez-vous aux instructions sous la section " Installation " en cas de doutes.



5. Ouvrez la purge d'air manuelle qui se trouve sur le couvercle du filtre. **ÉCARTEZ-VOUS DU FILTRE** et mettez la pompe en marche en lui laissant le temps de s'amorcer.  
**Remarque : Installez les commandes électriques (c'est à dire les interrupteurs marche/arrêt, les systèmes de régulation, etc.), à au moins 5 pieds (1,5 mètre) du filtre. Ceci vous permet le dégagement nécessaire lors de la mise en marche initiale du système de filtration.**
6. Refermez le purgeur d'air qui se trouve sur le couvercle lorsqu'il ne reste plus d'air dans le filtre et que l'eau s'écoule en un jet continu.  
 Remarque : Installez les commandes électriques (c'est à dire les interrupteurs marche/arrêt, les systèmes de régulation, etc.), à au moins 5 pieds (1,5 mètre) du filtre. Ceci vous permet le dégagement nécessaire lors de la mise en marche initiale du système de filtration.  
**Remarque : Le sable de filtrage pour piscine est généralement prélavé et ne devrait pas nécessiter un lavage à fond à contre-courant. Il se peut toutefois que le transport provoque une abrasion excessive, ce qui pourrait imposer un cycle prolongé de lavage à contre-courant lors de la mise en marche initiale; continuez le lavage à contre-courant durant trois (3) minutes.**

**▲ AVERTISSEMENT** Afin d'éviter d'endommager l'équipement et de prévenir de graves blessures, arrêtez toujours la pompe avant de changer la position de la vanne de régulation.

7. Arrêtez la pompe. Placez la vanne de régulation en position de filtration (Filter).
8. Vérifiez que tous les tuyaux d'aspiration et de retour à la piscine ne sont pas obstrués, pour que l'eau puisse librement venir de la piscine et y retourner.
9. Ouvrir la purge d'air manuelle qui se trouve sur le couvercle du filtre. **ÉCARTEZ-VOUS DU FILTRE** et mettez la pompe en marche.
10. Refermez le purgeur d'air qui se trouve sur le couvercle lorsqu'il ne reste plus d'air dans le filtre et que l'eau s'écoule en un jet continu.
11. Le filtre a alors entamé son cycle de filtrage. Vous devez vérifier que l'eau retourne à la piscine et relever la pression de service lorsque le filtre est propre.
- La pression nominale est de \_\_\_\_\_ PSI lorsque le filtre est propre.

## Entretien

Avec une utilisation et un entretien adéquat, la durée de service du système sera prolongée de nombreuses années. Respectez les suggestions qui suivent afin que le système fonctionne pendant longtemps sans problème.

*Continuez à la page suivante*

1. Pour débarrasser l'extérieur de la pompe et du filtre des impuretés et de la poussière, lavez-le avec une solution de détergent doux et d'eau et rincez-le au jet. N'utilisez pas de solvants.
2. Si un entretien de l'intérieur du filtre s'avère nécessaire, vous pouvez vider le sable en enlevant l'ensemble du robinet de vidange du bas du filtre et en rinçant celui-ci au jet.
3. Votre filtre est un réservoir sous pression et vous ne devez jamais en effectuer l'entretien lorsqu'il est pressurisé. Vous devez toujours délester la pression dans le réservoir et ouvrir le purgeur d'air qui se trouve sur le couvercle du filtre avant de procéder à l'entretien du filtre.
4. **ÉCARTEZ-VOUS DU FILTRE** - Lorsque vous remettez le filtre en marche, ouvrez toujours le purgeur d'air qui se trouve sur le couvercle du filtre et écartez-vous de celui-ci.
5. Le panier de la cuve de la pompe doit être nettoyé et inspecter deux fois par semaine. Retirez le couvercle transparent et le panier, puis retirez tous les débris du panier. Vérifiez l'étanchéité du joint torique et le remplacez-le s'il est endommagé. Le joint torique ne requiert pas de lubrifiant. Le moteur de la pompe ne doit être ouvert que par un technicien qualifié.

## Nettoyage

1. Le filtre d'une piscine neuve doit être lavé à contre-courant et nettoyé au bout des 48 premières heures de fonctionnement pour en éliminer les débris résultant de la construction. Il y a trois façons de savoir quand le filtrage doit être lavé à contre-courant :
  - a) L'indication la plus précise qu'un lavage à contre-courant est nécessaire est, sur les systèmes équipés d'un débitmètre, que le débit diminue de 30 % par rapport au débit initial (filtre propre). Si, par exemple, le débit initial était de 227 l/min (60 gal/min), il convient de laver le filtre à contre-courant lorsque le débit diminue de 75,7 l/min (20 gal/min) pour atteindre 151,3 l/min (40 gal/min).
  - b) Une indication plus subjective et moins précise est donnée par l'observation du débit des sorties d'eau directionnelles qui se trouvent dans la paroi de la piscine. Le filtre doit être lavé à contre-courant lorsque vous constatez que le débit s'est réduit.
  - c) L'indication la plus communément utilisée et la moins précise de devoir laver à contre-courant est l'augmentation de 68,9 kPa (10 psi) par rapport à la valeur initiale (filtre propre) de la pression indiquée par le manomètre du filtre.

2. Il est important de ne pas laver le filtre à contre-courant uniquement à des intervalles de temps, par exemple tous les trois jours. Il est également important de noter qu'un lavage à contre-courant trop fréquent provoque en fait un mauvais filtrage. Des facteurs tels que les conditions atmosphériques, de fortes pluies, de fortes concentrations de poussière ou de pollen et les températures de l'eau affectent tous la fréquence du lavage à contre-courant. Vous deviendrez conscient de ces influences lorsque vous serez familiarisé avec l'utilisation de votre piscine.

## Procédure de lavage à contre courant

**▲ AVERTISSEMENT** Afin d'éviter d'endommager l'équipement et de prévenir de graves blessures, arrêtez toujours la pompe avant de changer la position de la vanne de régulation.

1. Arrêtez la pompe.
2. Assurez-vous que le tuyau de lavage à contre-courant n'est pas obstrué, de façon à ce que l'eau puisse librement venir de la piscine et s'écouler par ce tuyau. Placez la vanne de régulation en position de lavage à contre-courant (Backwash).
3. **ÉCARTEZ-VOUS DU FILTRE** et mettez la pompe en marche.
4. Lavez le filtre à contre-courant pendant trois (3) minutes environ ou jusqu'à ce que l'eau de lavage à contre-courant soit propre.
5. Arrêtez la pompe et placez la vanne de régulation à la position de rinçage (Rinse).
6. **ÉCARTEZ-VOUS DU FILTRE** et mettez la pompe en marche.
7. Rincez le filtre pendant 30 secondes environ.
8. Arrêtez la pompe et placez la vanne de régulation à la position de filtration (Filter).
9. Vérifiez que le tuyau de retour à la piscine n'est pas obstrué, pour que l'eau puisse librement venir de la piscine et y retourner.
10. Ouvrez la purge d'air manuelle qui se trouve sur le filtre. **ÉCARTEZ-VOUS DU FILTRE** et mettez la pompe en marche.
11. Refermez le purgeur d'air qui se trouve sur le filtre lorsque l'eau s'écoule de la purge en un jet continu.
12. Le filtre a alors entamé son cycle de filtrage. Vous devez vérifier que l'eau retourne à la piscine et noter la pression du filtre.
13. La pression du filtre relevée à l'étape 12 ci-dessus ne doit pas dépasser celle qui a été observée à l'origine lors de la mise en route initiale du filtre. Si, à l'issue du lavage à contre-courant, la pression est supérieure de 27,5 à 41,4 kPa (4 à 6 psi) à la pression relevée lors de la mise en route, il sera nécessaire de nettoyer chimiquement le lit de sable.

## Procédure de nettoyage chimique

1. Il est recommandé d'utiliser l'industrie plus propre filtre standard, disponible fournisseurs atpool. Ces produits nettoyants élimineront l'huile, le tartre et la rouille du lit de sable en une seule opération de nettoyage.
2. Préparez une solution en suivant les instructions données par le fabricant sur l'étiquette.
3. Nettoyez le filtre à contre-courant comme indiqué plus haut.
4. Si le filtre est au-dessous du niveau de la piscine, arrêtez la pompe et fermez les vannes appropriées pour éviter de vider la piscine.
5. Arrêtez la pompe, ouvrez le robinet de vidange du filtre et laissez celui-ci se vider. Placez la vanne de régulation en position de lavage à contre-courant (Backwash).
6. Une fois que le filtre s'est vidé, refermez son robinet de vidange et enlevez le couvercle de la crépine de la pompe.
7. Vérifiez que les tuyaux de lavage à contre-courant ne sont pas obstrués.
8. Mettez la pompe en marche et videz lentement la solution de nettoyage dans la crépine de la pompe alors que celle-ci tourne. Si le filtre est en dessous du niveau de la piscine, ouvrez les vannes fermées appropriées afin de permettre à la pompe de fonctionner.
9. Continuez à ajouter de la solution de nettoyage jusqu'à ce que le lit de sable en soit saturé.
10. Arrêtez la pompe et laissez la vanne de régulation en position de lavage à contre-courant (Backwash). Laissez le filtre reposer pendant la nuit (12 heures).
11. Remettez le couvercle de la pompe en place et procédez à un lavage à contre-courant comme indiqué plus haut.
12. Empêchez la solution de nettoyage de pénétrer dans la piscine.

## Remplacement de l'ensemble de la vanne de régulation et de la soupape de dérivation

Si la vanne de régulation du filtre cesse de fonctionner correctement, le problème peut être corrigé en remplaçant l'ensemble de la vanne de régulation et de la soupape de dérivation comme indiqué ci-dessous.

1. Arrêtez la pompe et ouvrez la purge d'air afin de délester la pression du filtre.
2. Placez la vanne de régulation à la position d'hivernage (Winterize).
3. Retirez les six (6) vis, rondelles et écrous.
4. Retirez l'ensemble de vanne de régulation et de la soupape de dérivation.

Remarque : L'ensemble de la vanne de régulation et de la soupape de dérivation possède un joint torique fixé à de la soupape de dérivation. Prenez soins en manipulant la soupape de dérivation afin d'éviter d'endommager le joint.

5. Nettoyez la surface scellant du corps de la vanne à l'aide d'un linge sans peluche propre. Inspectez la surface pour rechercher toute entaille ou égratignure. Si la surface est endommagée, le corps de la vanne doit être remplacé.
6. Lubrifiez le nouveau joint torique du couvercle de la vanne avec un lubrifiant à base de silicone ou de l'eau savonneuse. **N'UTILISEZ PAS** de produit à base de pétrole.

**⚠ AVERTISSEMENT** Un assemblage incorrect de la vanne du réservoir peut entraîner une séparation du couvercle supérieur pouvant entraîner des blessures sérieuses ou des dommages matériels.

7. Placez la nouvelle poignée de la vanne de régulation à la position d'hivernage (Winterize). Installez le nouvel ensemble de vanne de régulation et de la soupape de dérivation. Vérifiez que l'encoche du couvercle s'aligne à la bosse sur le corps de la vanne. Remplacez les six (6) vis, rondelles et écrous. Remplacez et serrez à main les écrous sur les six (6) vis. Les vis doivent être serrées de manière progressive en serrant les vis diamétralement opposées par entrecroisement. Resserrez les six (6) vis du couvercle de l'ensemble. **NE SERREZ PAS OUTRE MESURE.**

## Hivernage du système de filtration

**⚠ ATTENTION** Si de l'eau restant dans le système gèle, la pompe et la plomberie pourraient être endommagées et entraîner une inondation et des dommages matériels.

1. Dans les régions dans lesquelles les températures hivernales descendent sous zéro, protégez l'équipement de la piscine en lavant le filtre à contre-courant.
2. Après le lavage à contre-courant, arrêtez la pompe, ouvrez la purge d'air manuelle qui se trouve sur le couvercle et réglez la vanne à hivernage (Winterize).
3. Retirez le bouchon de vidange du bas du filtre. Le filtre se videra très lentement. Il est recommandé de laisser le bouchon de vidange retiré pendant l'hiver.

**⚠ ATTENTION** La vanne de régulation doit être laissée en position d'hivernage (Winterize) durant l'hiver de façon à ce que la soupape de dérivation n'exerce aucune pression sur le joint torique. Le non-respect de cette consigne peut endommager la soupape de dérivation, causant une fuite et des dommages matériels.

4. Vidangez toute l'eau de la pompe et de la tuyauterie. Retirez les deux bouchons de vidange afin de permettre à la pompe de se vider complètement.
5. Retirez et remisez la pompe dans un endroit sec à l'intérieur si cela est possible.
6. À l'extérieur, nous recommandons de protéger l'équipement à l'aide d'un abri à l'épreuve des intempéries.
7. Nous recommandons de recouvrir l'équipement avec une toile goudronnée ou une feuille plastique pour éviter toute détérioration due aux intempéries. **N'ENVELOPPEZ PAS LE MOTEUR DE LA POMPE AVEC DU PLASTIQUE**, cela pourrait entraîner la formation de condensation à l'intérieur du moteur.
8. Dans des installations où la pompe ne peut être vidangée, une solution à 60 % d'eau et de 40 % propylène-glycol permettra de protéger jusqu'à une température de  $-45,5\text{ °C}$  ( $50\text{ °F}$ ).  
Remarque : N'utilisez pas de solutions antigels autres que le propylène-glycol, car les antigels sont hautement toxiques et endommageraient la pompe.

## Section 4

## Dépannage

PROBLÈME	CAUSE	SOLUTION
Eau de la piscine insuffisamment propre	Composition chimique de l'eau de la piscine inadéquate pour empêcher la croissance des algues. 1. Lavage à contre-courant trop fréquent. 2. Quantité ou calibre incorrect de sable. 3. Cadence de renouvellement inadéquate.	Maintenez la composition chimique correcte de l'eau de la piscine ou consultez un technicien d'entretien spécialisé. Laissez la pression augmenter jusqu'à 68,9 kPa (10 psi) au-dessus de la pression avec filtre propre avant de laver à contre courant. Vérifiez l'épaisseur du lit de sable et le calibre de ce dernier ou consultez un technicien d'entretien spécialisé. Vérifiez l'épaisseur du lit de sable et le calibre de ce dernier ou consultez un technicien d'entretien spécialisé.
Pression trop élevée dans le filtre	1. Lavage à contre-courant insuffisant. 2. Lit de sable encombré de dépôts minéraux. 3. Vanne partiellement fermée.	Lavez à contre-courant jusqu'à ce que l'eau de lavage soit claire. Nettoyez chimiquement le filtre. Ouvrez la vanne ou débouchez le tuyau de retour.
Cycles trop courts	1. Lavage à contre-courant incorrect. 2. Composition chimique de l'eau de la piscine inadéquate pour empêcher la croissance des algues. 3. Lit de sable sale. 4. Débit trop élevé.	Lavez à contre-courant jusqu'à ce que l'eau de lavage soit claire. Maintenez la composition chimique correcte de l'eau de la piscine ou consultez un technicien d'entretien spécialisé. Retirez à la main une épaisseur de 25 mm (1 po) sur le dessus du lit de sable et nettoyez chimiquement l'ensemble du lit de sable comme indiqué dans la Section G. Ramenez le débit à la capacité du filtre.
Réduction du débit de retour d'eau vers la piscine. Pression trop basse dans le filtre.	1. Colmatage du filtre à cheveux et peluches de la pompe. 2. Obstruction dans la pompe. 3. Tuyau d'aspiration de la pompe obstrué	Nettoyez le filtre. Démontez et nettoyez la pompe. Nettoyez le panier du collecteur. Débouchez les tuyaux. Ouvrez les vannes du tuyau d'aspiration.
Retour du sable dans la piscine.	1. Élément latéral de vidange par le bas cassé. 2. Débit de lavage à contre-courant trop élevé.	Remplacez les éléments latéraux cassés ou endommagés. Réduisez le débit du lavage à contre-courant.

## Section 5

## Fiche technique et pièces de rechange

## Remarque

**Veillez consulter la fiche technique et les pièces de rechange pour de plus amples renseignements propres à votre système.**

# Notes



# Notes

# Notes

# Notes



1620 HAWKINS AVE., SANFORD, NC 27330 • (919) 566-8000  
10951 WEST LOS ANGELES AVE., MOORPARK, CA 93021 • (805) 553-5000

[WWW.PENTAIR.COM](http://WWW.PENTAIR.COM)

Toutes les marques de commerce et logos Pentair sont la Pentair Aquatic Systems® sont des marques de commerce de Pentair Water Pool and Spa, Inc. ou d'autres pays. Sauf indication expressément contraire, les peuvent être utilisés dans le présent document ne sont pas utilisés pour indiquer une affiliation ou une approbation entre les Pool and Spa, Inc. Ces noms et marques peuvent être des marques déposées de ces tiers. Parce que nous améliorons constamment nos produits, Pentair se réserve le droit de préalable. Pentair offre l'égalité d'accès à l'emploi.

© Pentair, 2021. Tous droits réservés. Ce document peut faire l'objet de modifications sans préavis.



P/N 152007 REV D 10/21/21