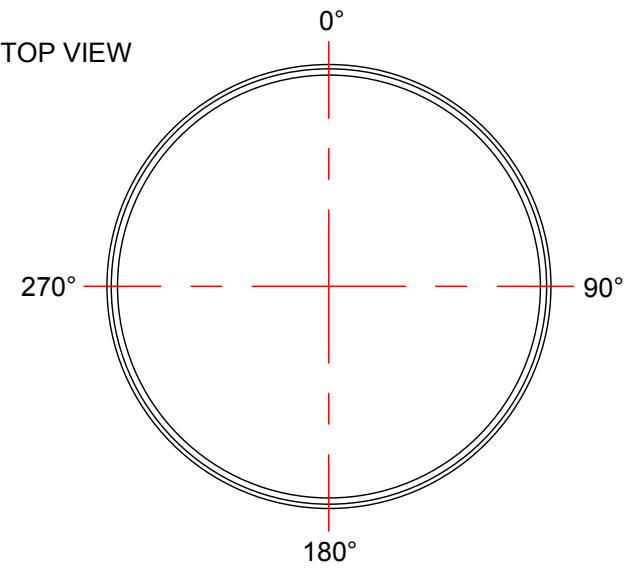


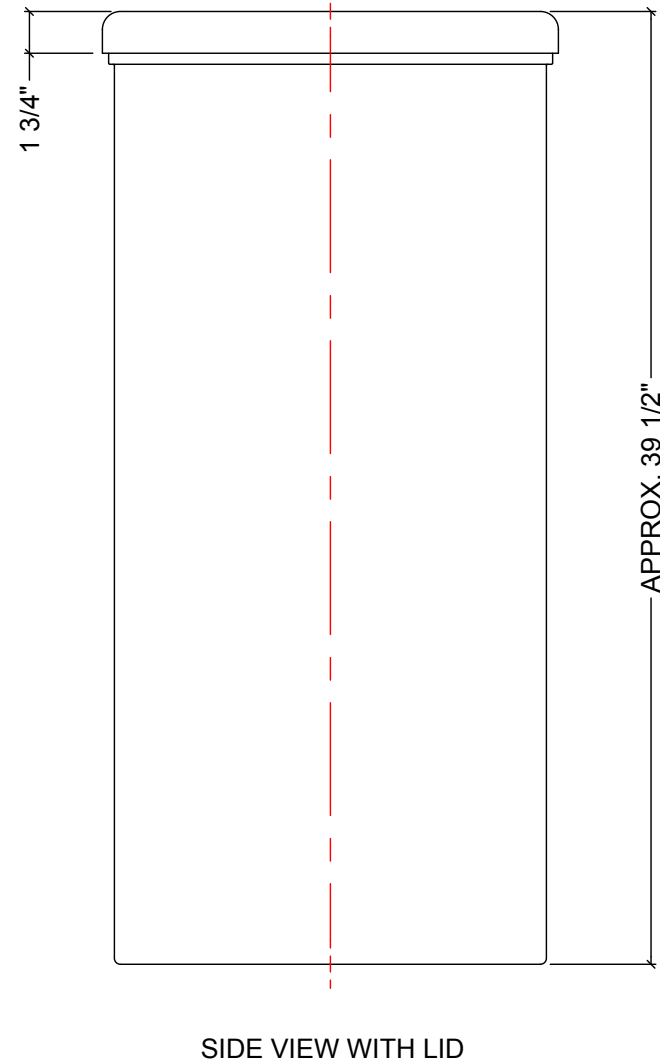
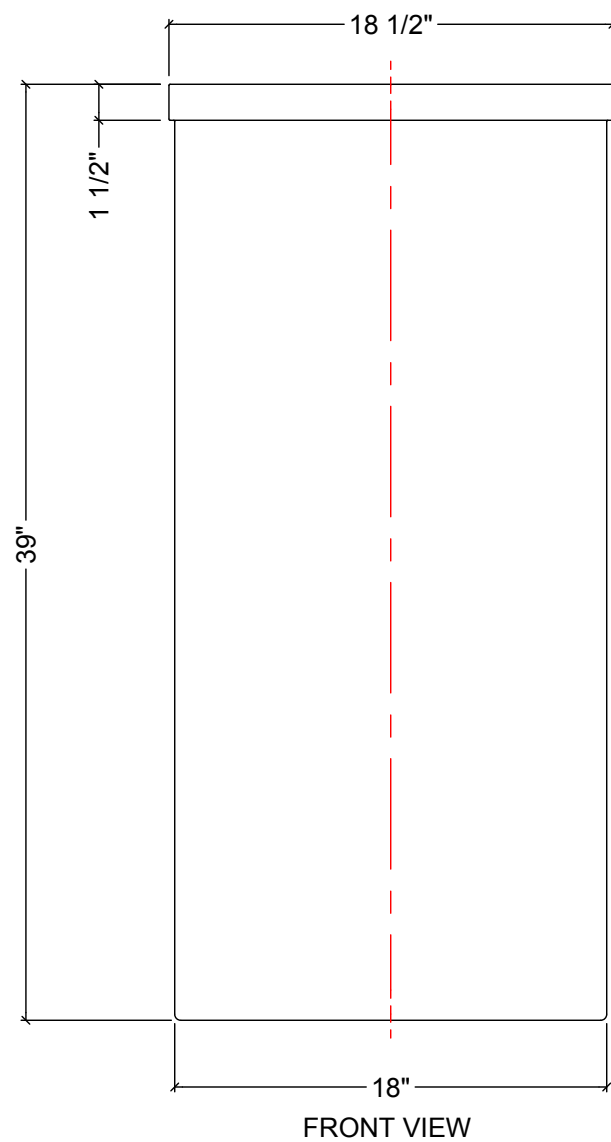
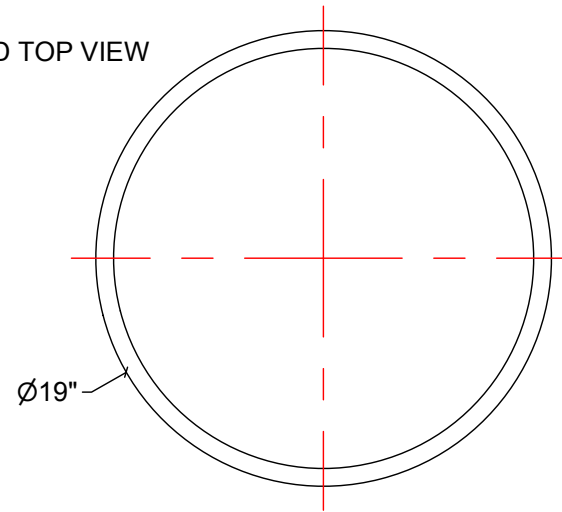
TOP VIEW



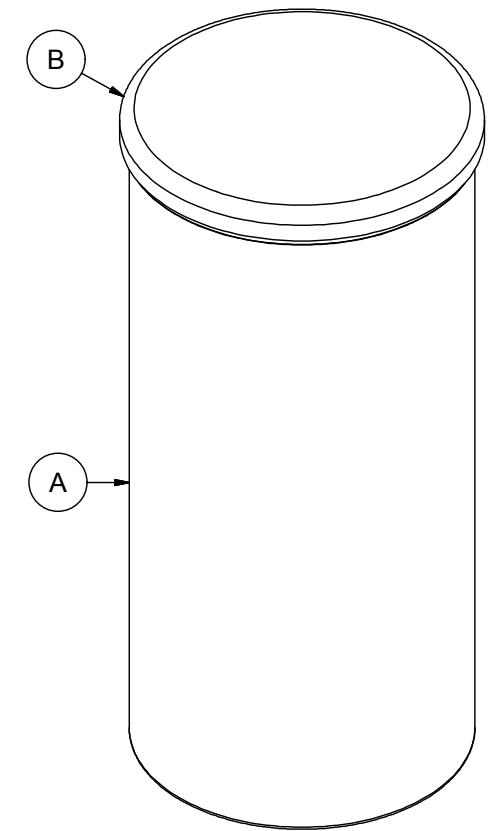
NOTES:

1. TANK IS MANUFACTURED TO ASTM-D-1998 STANDARD.
2. ALL DIMENSIONS ARE APPROXIMATE.

LID TOP VIEW



MATERIALS LIST		
ITEMS	DESCRIPTION	NOTES
A	OT-36 OPEN TOP TANK	
B	LID FOR OT-36	



REV	DATE	DESCRIPTION	BY	APPD	REVD
REVISIONS					
CUSTOMER					
TITLE			ACO JOB NO:		
36 IG CLOSED TOP TANK			PURCHASE ORDER NO:		
			PURCHASER'S EQUIP. NO:		
THIS DRAWING IS THE PROPERTY OF ROTOPLAST INC. AND SHALL NOT BE COPIED OR TRANSFERRED WITHOUT THE WRITTEN CONSENT OF ROTOPLAST INC.					
ENGINEERS SEAL			<b>ACO CONTAINER SYSTEMS</b> DIVISION OF ROTOPLAST INC.		
<small>PICKERING - ONTARIO - CANADA</small>					
<small>ACO CONTAINER SYSTEMS DIVISION OF ROTOPLAST INC. 794 MCKAY RD. PICKERING, ONTARIO, CANADA TEL. 905-683-8222 FAX 905-683-2969</small>			<small>DESIGNED</small>	<small>DRAWN</small>	<small>WM</small>
			<small>CHECKED</small>	<small>APPROVED</small>	
			<small>SCALE</small>	<small>DATE</small>	<small>N.T.S. 03-03-16</small>
<small>DWG No</small>			<b>OT-36-L</b>		<small>REV</small> <b>0</b>